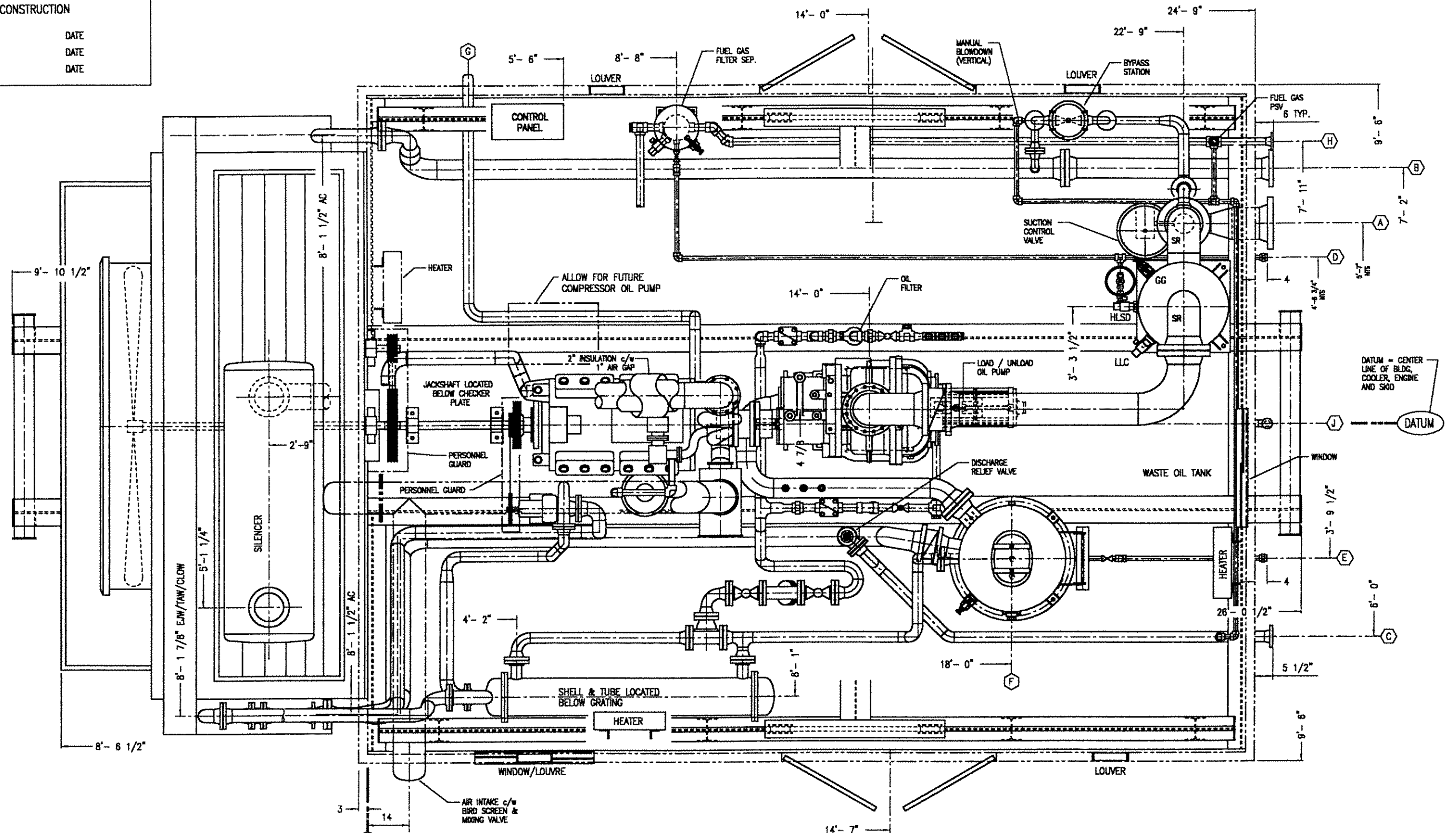


RELEASED
FOR CONSTRUCTION

CUSTOMER PER: _____ DATE: _____
 ENGINEERING PER: _____ DATE: _____
 SHOP PROD. PER: _____ DATE: _____



SCHEDULE OF OPENINGS

TAG	SIZE AND RATING	SERVICE / DESCRIPTION
A	10" - 300# RF	SUCTION INLET
B	6" - 300# RF	DISCHARGE OUTLET
C	3" - 150# RF	RELIEF VALVE FLARE HEADER OUTLET
	1" - NPT	SCRUBBER DRAIN MANIFOLD
E	1" - NPT	LUBE OIL SEPARATOR DRAIN
F	12" x 16" ELL.	LUBE OIL SEP. FILTER ACCESS
G	3" MITR. PIPE	ENGINE STARTER OUTLET
H	2" - 150# RF	ENGINE FUEL GAS INLET
J	2" - CAMLOCK	OIL TANK PUMP-OUT
K		
L		
M		

TOTAL PACKAGE WEIGHT = APPROX. 115,000 lbs
 TOTAL PACKAGE LENGTH = 35'- 11"
 TOTAL PACKAGE WIDTH (incl. Eaves) = APPROX. 19'- 6"
 TOTAL PACKAGE HEIGHT = APPROX. 18'- 8"

DATUM = INSIDE EDGE OF MAIN SKID CROSS MEMBER AND EDGE OF COOLER SKID

DRAWN: L SAVSKOFF
 DATE: 02-10-25
 SCALE: 1/2" = 1'- 0"
 CHK'D:

GENERAL ASSEMBLY - PLAN VIEW
 FOR:
 CATERPILLAR 3412 TAW/ KOBELCO 28LNB/ AIR-X 108AEH

BIDELL EQUIPMENT
 GAS COMPRESSION

6900 - 112 AVENUE S.E. PHONE: (403) 235-5877
 CALGARY, ALTA, T2C 4Z1 FAX: (403) 272-7749

CUSTOMER: EQUATORIAL ENERGY/SEIDLITZ ENG'G
 PROJECT: WINNIFRED SCREW COMPRESSOR
 SHOP ORDER: 02-158

DWG.No:02-158-2A

REVISION: B

REV	DATE	BY	DESCRIPTION
B	NOV26	LS	AS BUILT
A	OCT29	LS	AS PER CUSTOMER ADDERS
D	OCT25	LS	ISSUED FOR APPROVAL