

LOWER PLAN VIEW
SCALE 1:20
BELOW 2150mm

GENERAL NOTES

1. ALL DIMENSIONS ARE IN MILLIMETERS
2. CUSTOMER TIE-IN POINTS DESIGNATED AS SUCH (M)
3. PIPING DESIGN TEMPERATURES: -20°C INSIDE BUILDING, -40°C OUTSIDE BUILDING
4. BUILDING STRUCTURE TO BE ERECTED IN SHOP, ROOF IN FIELD
5. ELEVATIONS SHOWN ARE FROM TOP OF CHECKER PLATE (UNLESS NOTED)
6. PIPING:
 - PROCESS LINES: 1/2" TO 6.000" WALL SEAMLESS ASTM A307 TP316 SS w/ A183 - 316SS, SHORT COMPRESSION TYPE FITTINGS
 - INSTRUMENT LINES: 3/8" TO 0.500" WALL SEAMLESS ASTM A307 TP316 SS w/ A183 - 316SS, SHORT COMPRESSION TYPE FITTINGS
7. IMPACT TIGHTENING OF BOLTS SHALL NOT BE USED. PROPER BOLT TIGHTENING PROCEDURES MUST BE FOLLOWED.
8. TOTAL ESTIMATED PACKAGE WEIGHT AT TIME OF SHIPPING: 27,400 lbs. (12,430 kg). NET WT. T-311 (AND ASSOCIATED PIPING), W-321 STILL COLUMN AND STACK REMOVED FOR SHIPPING.
9. ORIGINAL SHIPPING DIMENSIONS:
 - HEIGHT = 12'-0" (3,658mm) (FROM BOTTOM OF SKID)
 - WIDTH = 22'-0" (6,706mm)
 - LENGTH = 82'-0" (25,000mm)
10. SEE Dwg. L-13-05032-21-007 FOR PIPING CLASS SPECIFICATIONS.
11. FOR BUILDING DETAILS SEE BUILDING SUPPLIER DRAWINGS.
12. FOR SKID / LIFTING LUGS DETAILS SEE Dwg. S-13-05032-41-001.
13. FOR PIPE SUPPORT DETAILS SEE Dwg. S-13-05032-41-002.
14. FOR SKID PILE LOCATION AND LOADS SEE Dwg. PL-13-05032-01-001.

SHIPPING PACKAGE C.O.G.

X = 800mm, Y = 2810mm, Z = 670mm

MARK	SIZE	INTD	FACE	SERVICE	E (ELEV REFERENCE)
M1	1 1/2"	RF	RF	GIS INLET	2390
M2	1 1/2"	RF	RF	SALES GAS OUTLET	800
M3	2"	RF	RF	PRODUCED LIQUIDS OUTLET	800
M4	2"	RF	RF	RECOVERABLE LP FUEL GAS	500
M5	2"	RF	RF	INSTRUMENT AIR	300
M6	2"	RF	RF	HP VENT HEADER	3040
M7	2"	RF	RF	TO GAS/GS RECYC COMPRESSOR E-303	1630
M8	2"	RF	RF	NON-RECOVERABLE LP FUEL GAS	1000
M9	2"	RF	RF	SKID VENT	7400
M10	2"	RF	RF	LP FLARE	300
M11	2"	RF	RF	CLOSED DRUM	100
M12	1/2"	NPT	RF	DRAIN TO GYCOL STORAGE TANK S-323	1182
M13	4"	RF	RF	OFF-SPEC GAS TO RECYCLE COMPRESSOR	1025
M14	1 1/2"	RF	RF	FILL TO V-322	400

No.	DATE	REVISIONS	BY	CHK	REW	APP	QC	No.	DATE	REVISIONS	BY	CHK	REW	APP	QC
A	NOV 20 2013	ISSUED FOR APPROVAL	GSG	TMD	SS	AW									
B	DEC 17 2013	ISSUED FOR INTERNAL REVIEW	GSG	TMD	SS	AW									
O	JAN 21 2014	ISSUED FOR CONSTRUCTION	GSG	TMD	SS	AW									
1	MAR 11 2014	ADDED TIE-IN N33, ADDED FE-3340 MOVED JUNCTION BOXES	GSG	TMD	SS	AW									
2	APR 30 2014	AS-BUILT	KHJ												

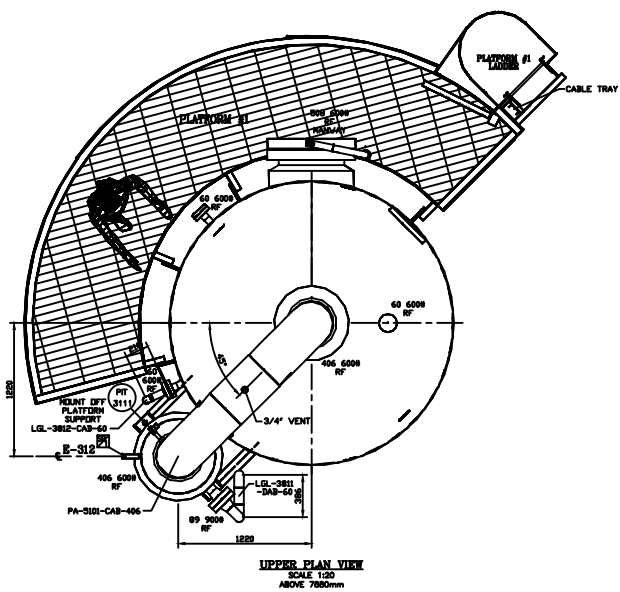
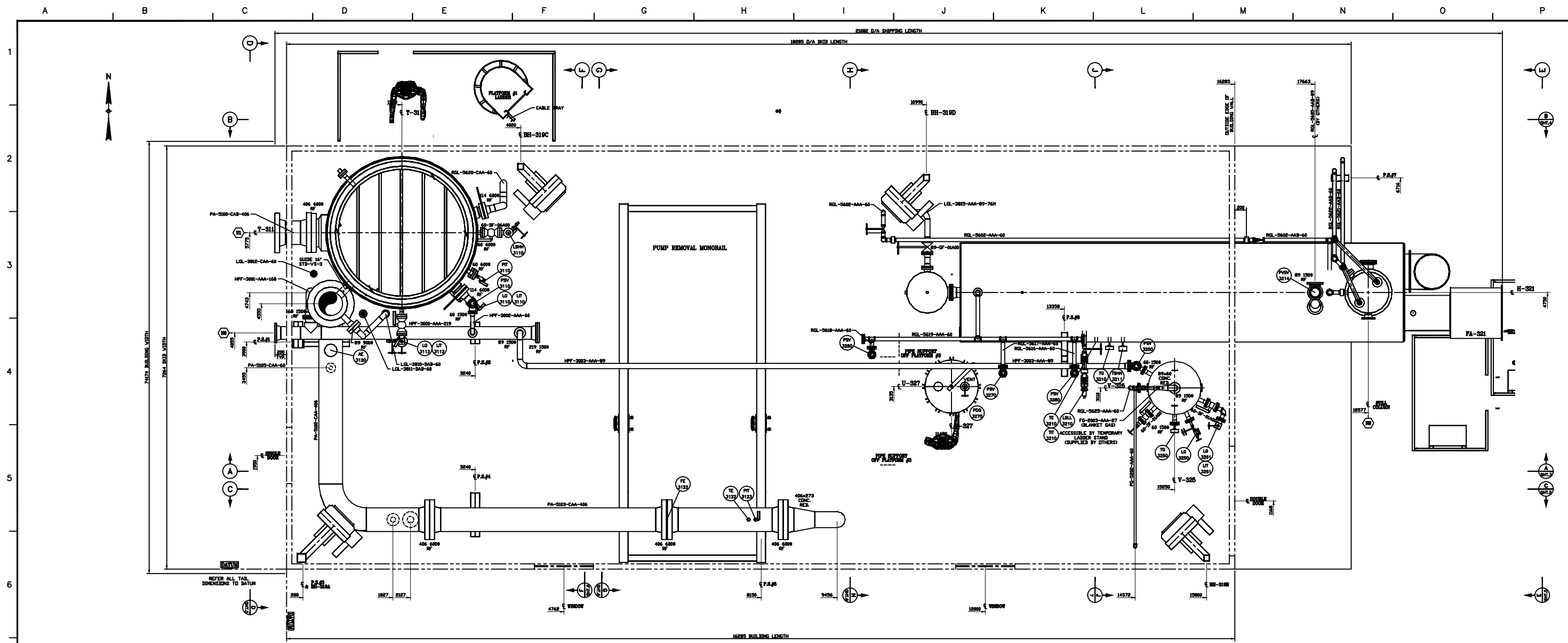
THIS DRAWING IS THE PROPERTY OF SPECTRUM PROCESS SYSTEM INC. AND LOANED TO THE RECIPIENT FOR HIS CONFIDENTIAL USE ONLY. IN CONSIDERATION OF THE LOAN OF THIS DRAWING, THE RECIPIENT PROMISES AND AGREES THAT IT SHALL NOT BE USED IN ANY WAY DETRIMENTAL TO THE INTEREST OF SPECTRUM PROCESS SYSTEM INC. THAT IT SHALL BE RETURNED UPON REQUEST, AND THAT IT SHALL NOT BE REPRODUCED, COPIED, LENT OR OTHERWISE DISPOSED OF DIRECTLY OR INDIRECTLY, NOR USED FOR ANY PURPOSE OTHER THAN THAT INTENDED WITHOUT THE WRITTEN PERMISSION OF SPECTRUM PROCESS SYSTEM INC.

ENGINEERS RECORD	DATE
DRAWN BY: GSG	OCT. 24 2013
CHECKED BY:	
REVIEWED BY:	
APPROVED BY:	
G.C. APPD.	



P.O.# 45130

CLIENT	ENCANA CORPORATION c/o SOLARIS MANAGEMENT CONSULTANTS		
PROJECT	GLYCOL DEHYDRATION PACKAGE 15-27 SATURN SISTER COMPRESSOR STATION PHASE 1 (Q-310) 15-27-072-17 WGM		
TITLE	GENERAL ARRANGEMENT (PACKAGE A) - LOWER PLAN VIEW		
Scale	JOB No.	DWG. No.	REV.
1:20 UNO	SPS-13-05032	L-13-05032-21-001	2



MARK	SIZE	INTD	FACE	SERVICE	E (ELEV REFERENCE)
N1	14"	6003	RF	GIS INLET	2896
N2	14"	6003	RF	SALES GAS OUTLET	800
N3	2"	1503	RF	PRODUCED LIQUIDS OUTLET	880
N4	2"	1503	RF	RECOVERABLE LP FUEL GAS	800
N5	2"	1503	RF	INSTRUMENT AIR	380
N6	2"	1503	RF	HP VENT HEADER	3040
N7	2"	8033	RF	TO GAS/GS RECYC EXCHANGER E-363	1638
N8	2"	1503	RF	NON-RECOVERABLE LP FUEL GAS	1000
N9	2"	1503	RF	SHLL VENT	7407
N10	2"	1503	RF	LP FLAME	380
N11	2"	1503	RF	CLOSED DRNH	180
N12	1/2"	NPT	RF	DRNH TO GLYCOL STORAGE TANK S-323	1182
N22	4"	8003	RF	OFF-SPEC GAS TO RECYCLE COMPRESSOR	1025
N23	1 1/2"	1503	RF	FLL TO V-322	400

No.	DATE	REVISIONS	BY	CHK	REW	APP	QC	No.	DATE	REVISIONS	BY	CHK	REW	APP	QC
A	NOV 20 2013	ISSUED FOR APPROVAL	GSG	TMD	SS	AW									
B	DEC 17 2013	ISSUED FOR INTERNAL REVIEW	GSG	TMD	SS	AW									
D	JAN 21 2014	ISSUED FOR CONSTRUCTION	GSG	TMD	SS	AW									
1	MAR 11 2014	ADDED TIE-IN N23, I.F.C.	GSG	TMD	SS	AW									
2	APR 30 2014	AS-BUILT	KHH												

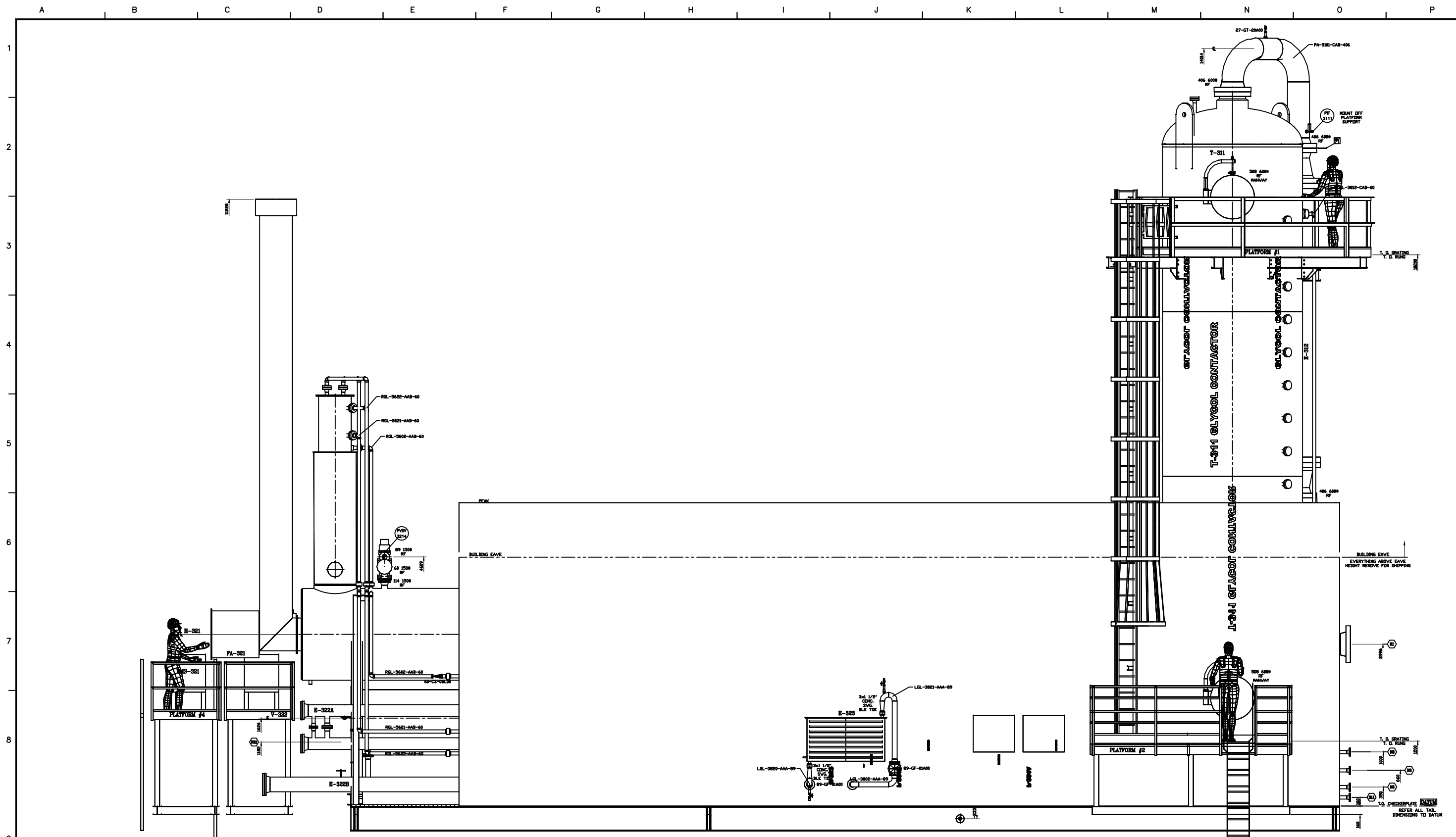
THIS DRAWING IS THE PROPERTY OF SPECTRUM PROCESS SYSTEM INC. AND LOANED TO THE RECIPIENT FOR HIS CONFIDENTIAL USE ONLY. IN CONSIDERATION OF THE LOAN OF THIS DRAWING, THE RECIPIENT PROMISES AND AGREES THAT IT SHALL NOT BE USED IN ANY WAY DETRIMENTAL TO THE INTEREST OF SPECTRUM PROCESS SYSTEM INC. THAT IT SHALL BE RETURNED UPON REQUEST, AND THAT IT SHALL NOT BE REPRODUCED, COPIED, LENT OR OTHERWISE DISPOSED OF DIRECTLY OR INDIRECTLY, NOR USED FOR ANY PURPOSE OTHER THAN THAT INTENDED WITHOUT THE WRITTEN PERMISSION OF SPECTRUM PROCESS SYSTEM INC.

ENGINEERS RECORD	DATE
DRAWN BY: GSG	OCT. 24 2013
CHECKED BY:	
REVIEWED BY:	
APPROVED BY:	
Q.C. APPD.	



P.O.# 45130

CLIENT	ENCANA CORPORATION c/o SOLARIS MANAGEMENT CONSULTANTS
PROJECT	GLYCOL DEHYDRATION PACKAGE 15-27 SATURN SISTER COMPRESSOR STATION PHASE 1 (Q-310) 15-27-072-17_WSM
TITLE	GENERAL ARRANGEMENT (PACKAGE A) - UPPER PLAN VIEWS
Scale	1:20 UNO
JOB No.	SPS-13-05032
DWG. No.	L-13-05032-21-002
REV.	2



SECTION 'B-B'
SCALE 1:20

MARK	SIZE	INTD	FACE	SERVICE	E (ELEV REFERENCE)
N1	14"	600J	RF	GIS INLET	2996
N2	14"	600J	RF	SALES GAS OUTLET	900
N3	2"	150J	RF	PRODUCED LIQUIDS OUTLET	880
N4	2"	150J	RF	RECOVERABLE LP FUEL GAS	800
N5	2"	150J	RF	INSTRUMENT AIR	300
N6	4"	150J	RF	HP VENT HEADER	3040
N7	2"	800J	RF	TO GAS/GS REAT EXCHANGER E-303	1638
N8	2"	150J	RF	NON-RECOVERABLE LP FUEL GAS	1000
N9	2"	150J	RF	SHLL VENT	7407
N10	2"	150J	RF	LP FLAME	260
N11	2"	150J	RF	CLOSED DRUM	100
N12	1/2"	NPT	TUBE	DOWN TO GLYCOL STORAGE TANK S-323	1182
N22	4"	600J	RF	OFF-SPEC GAS TO RECYCLE COMPRESSOR	1025
N23	1 1/2"	150J	RF	FLL TO V-322	400

No.	DATE	REVISIONS	BY	CHK	REW	APP	QC	No.	DATE	REVISIONS	BY	CHK	REW	APP	QC
A	NOV. 20 2013	ISSUED FOR APPROVAL	GSG	TMD	SS	AW									
B	DEC. 17 2013	ISSUED FOR INTERNAL REVIEW	GSG	TMD	SS	AW									
0	JAN. 21 2014	ISSUED FOR CONSTRUCTION	GSG	TMD	SS	AW									
1	MAR. 11 2014	ADDED TIE-IN N23, I.F.C.	GSG	TMD	SS	AW									
2	APR. 30 2014	AS-BUILT	KHJ												

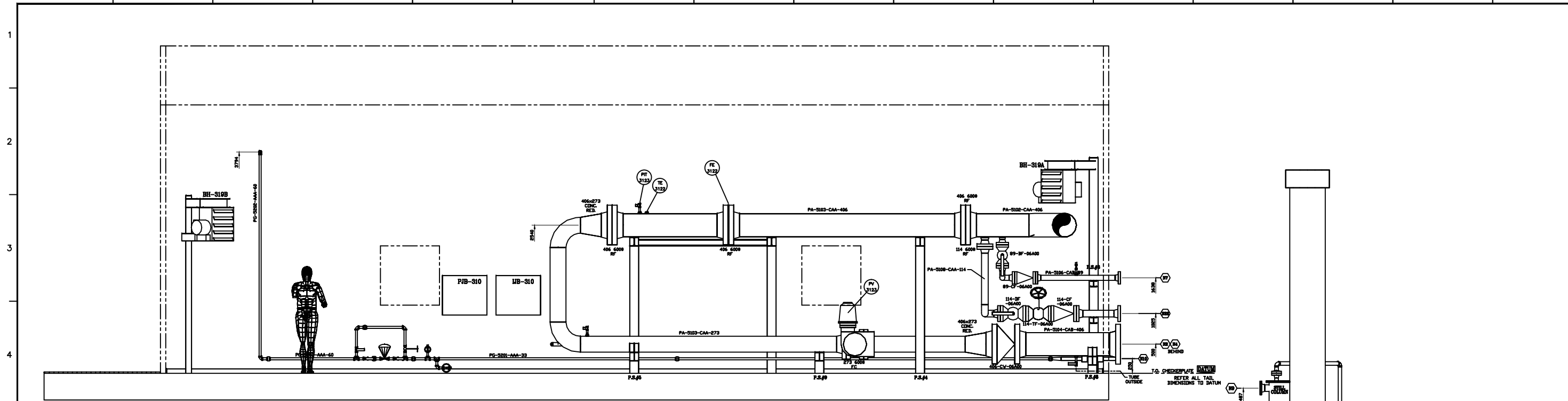
THIS DRAWING IS THE PROPERTY OF SPECTRUM PROCESS SYSTEM INC. AND LOANED TO THE RECIPIENT FOR HIS CONFIDENTIAL USE ONLY. IN CONSIDERATION OF THE LOAN OF THIS DRAWING, THE RECIPIENT PROMISES AND AGREES THAT IT SHALL NOT BE USED IN ANY WAY DETRIMENTAL TO THE INTEREST OF SPECTRUM PROCESS SYSTEM INC. THAT IT SHALL BE RETURNED UPON REQUEST, AND THAT IT SHALL NOT BE REPRODUCED, COPIED, LENT OR OTHERWISE DISPOSED OF DIRECTLY OR INDIRECTLY, NOR USED FOR ANY PURPOSE OTHER THAN THAT INTENDED WITHOUT THE WRITTEN PERMISSION OF SPECTRUM PROCESS SYSTEM INC.

ENGINEERS RECORD	DATE
DRAWN BY: GSG	OCT. 24 2013
CHECKED BY:	
REVIEWED BY:	
APPROVED BY:	
Q.C. APPD.	

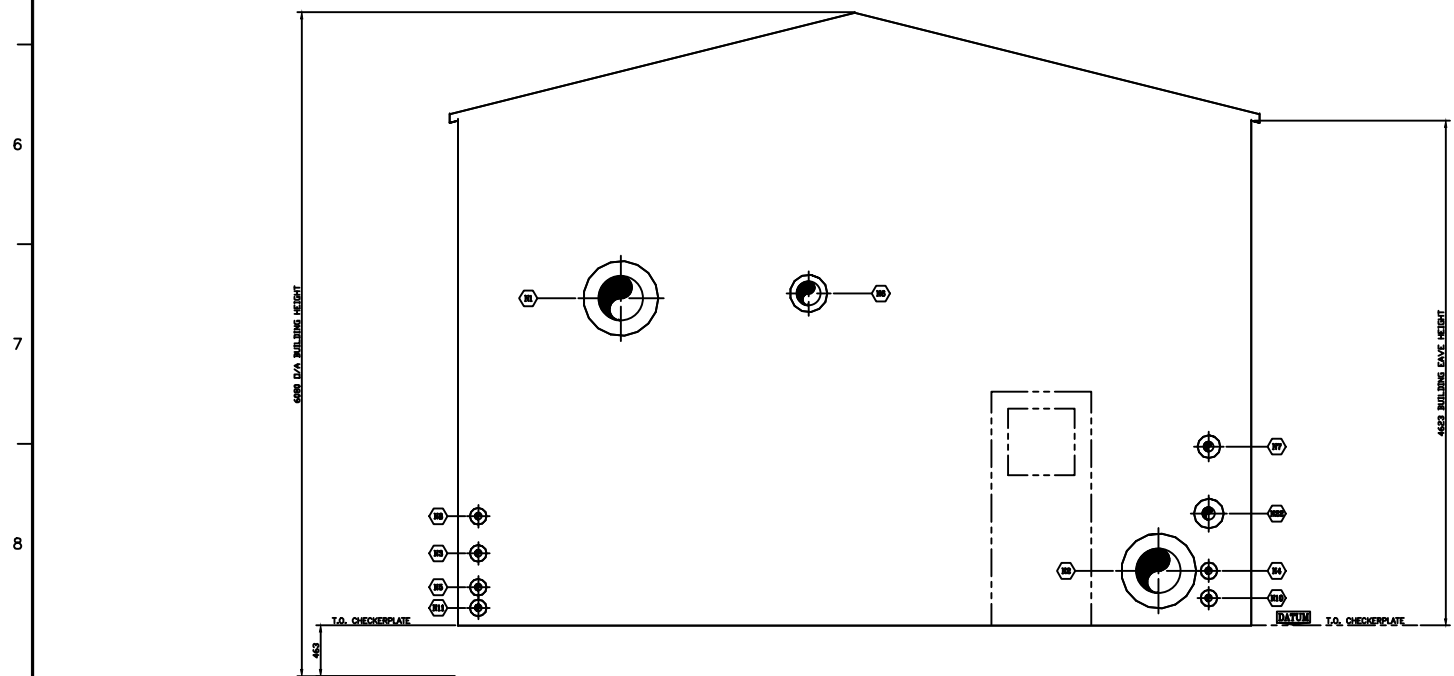
P.O.# 45130

CLIENT	ENCANA CORPORATION c/o SOLARIS MANAGEMENT CONSULTANTS
PROJECT	15-27 SATURN SISTER COMPRESSOR STATION PHASE 1 (Q-310) 15-27-022-17 WSM
TITLE	GENERAL ARRANGEMENT (PACKAGE A) - SECTION 'B-B'
Scale	1:20 UNO
JOB No.	SPS-13-05032
DWG. No.	L-13-05032-21-004
REV.	2

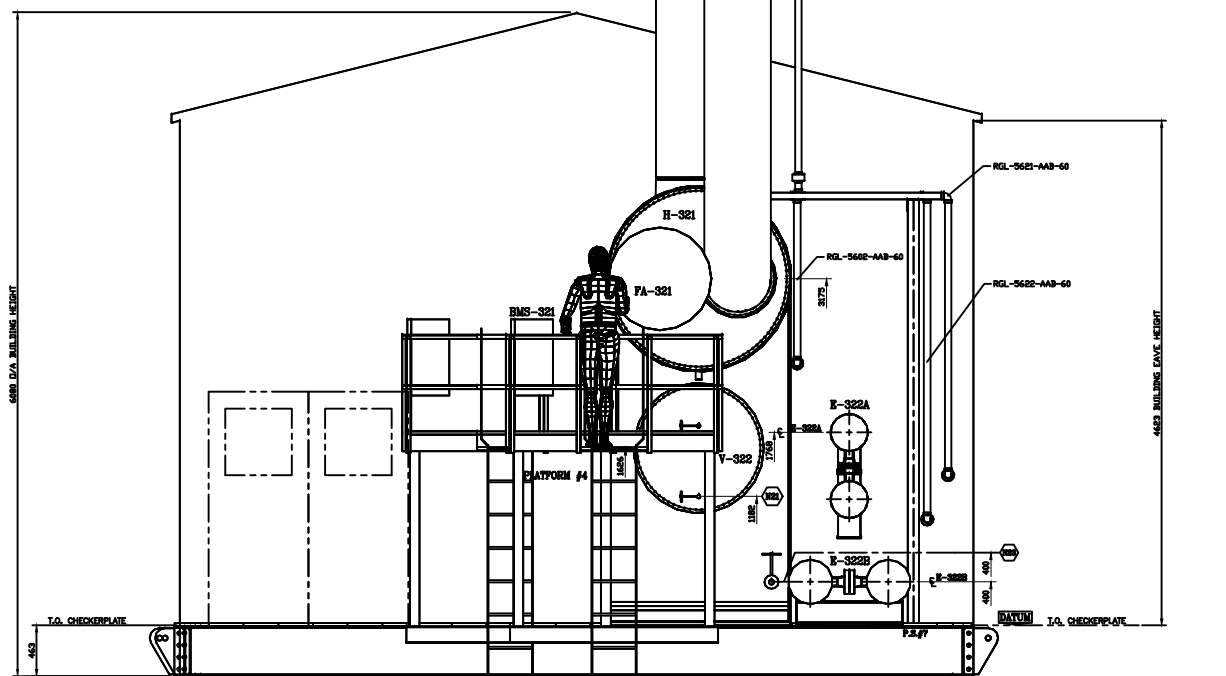
A B C D E F G H I J K L M N O P



SECTION 'C-C'
SCALE 1/20



SECTION 'D-D'
SCALE 1/20



SECTION 'E-E'
SCALE 1/20

MARK	SIZE	INTD	FACE	SERVICE	E (ELEV REFERENCE)
M1	1 1/2"	150	RF	GAS INLET	2896
M2	1 1/2"	150	RF	SALES GAS OUTLET	800
M3	2"	150	RF	PRODUCED LIQUIDS OUTLET	800
M4	2"	150	RF	RECOVERABLE LP FUEL GAS	800
M5	2"	150	RF	INSTRUMENT AIR	300
M6	2"	150	RF	HP VENT HEADER	3040
M7	2"	150	RF	TO GAS/GS RECYC COMPRESSOR E-303	1638
M8	2"	150	RF	NON-RECOVERABLE LP FUEL GAS	1000
M9	2"	150	RF	SHLL VENT	7407
M10	2"	150	RF	LP FLAME	300
M11	2"	150	RF	CLOSED DRNH	100
M12	1/2"	NPT	DRNH	TO GLYCOL STORAGE TANK S-323	1182
M13	1/2"	NPT	DRNH	TO RECYCLE COMPRESSOR	1025
M14	1/2"	NPT	RF	FILL TO V-322	400

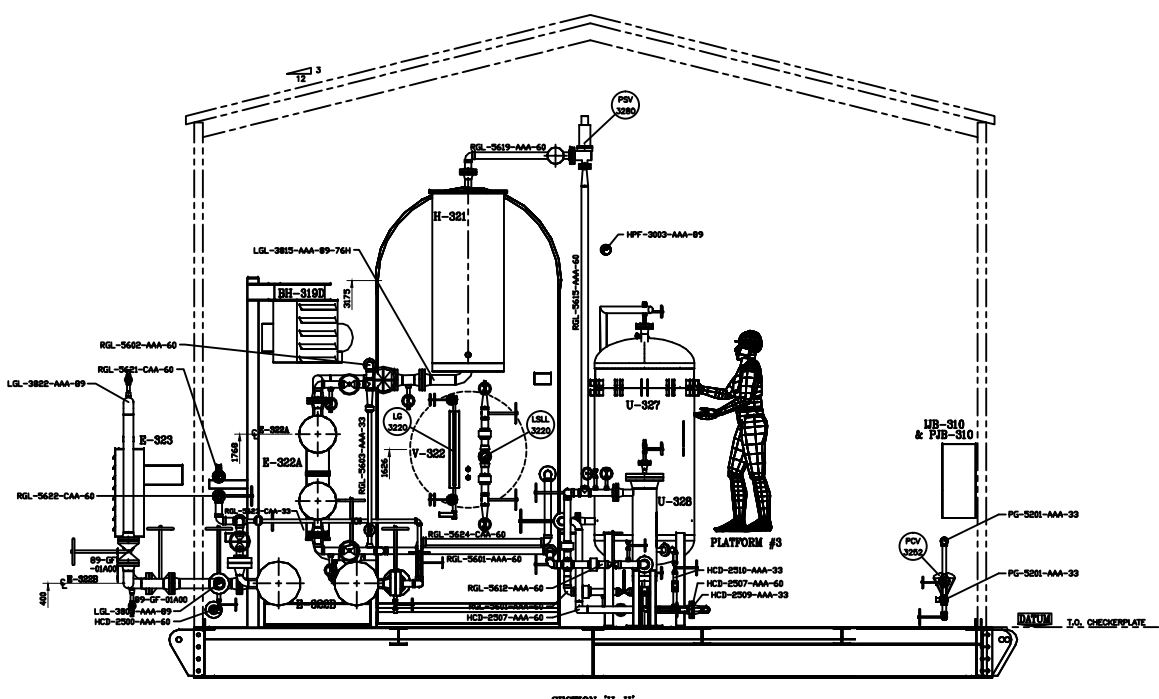
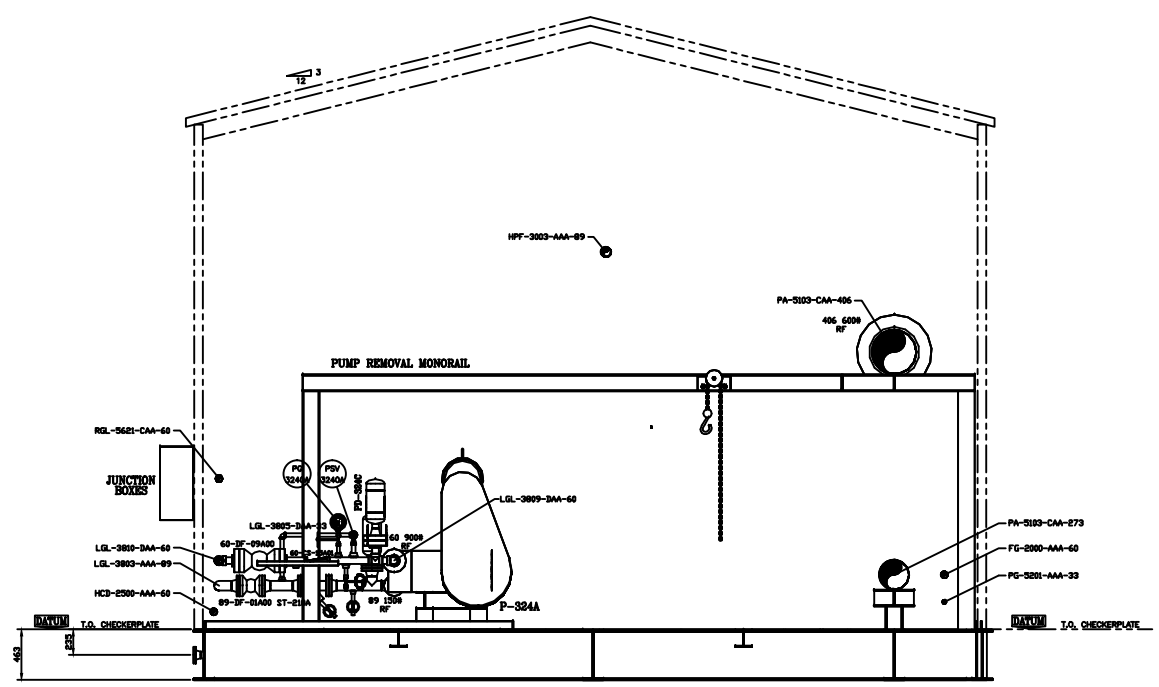
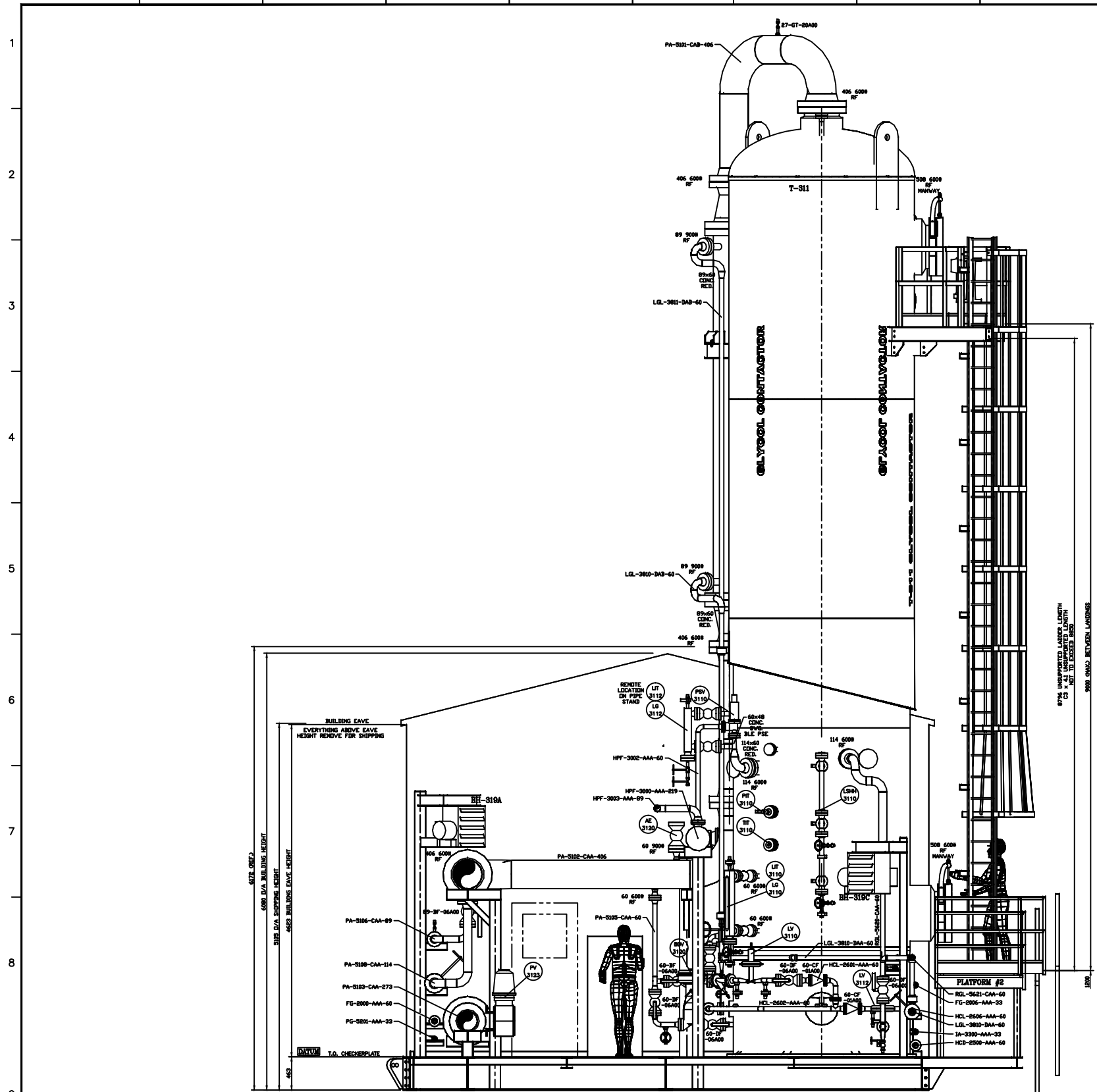
No.	DATE	REVISIONS	BY	CHK	REW	APP	QC	No.	DATE	REVISIONS	BY	CHK	REW	APP	QC
A	NOV. 20 2013	ISSUED FOR APPROVAL	GSG	TMD	SS	AW									
B	DEC. 17 2013	ISSUED FOR INTERNAL REVIEW	GSG	TMD	SS	AW									
C	JAN. 21 2014	ISSUED FOR CONSTRUCTION	GSG	TMD	SS	AW									
1	MAR. 11 2014	ADDED TIE-IN M23, I.F.C.	GSG	TMD	SS	AW									
2	APR. 30 2014	AS-BUILT	KHI												

THIS DRAWING IS THE PROPERTY OF SPECTRUM PROCESS SYSTEM INC. AND LOANED TO THE RECIPIENT FOR HIS CONFIDENTIAL USE ONLY. IN CONSIDERATION OF THE LOAN OF THIS DRAWING, THE RECIPIENT PROMISES AND AGREES THAT IT SHALL NOT BE USED IN ANY WAY DETRIMENTAL TO THE INTEREST OF SPECTRUM PROCESS SYSTEM INC., THAT IT SHALL BE RETURNED UPON REQUEST, AND THAT IT SHALL NOT BE REPRODUCED, COPIED, LENT OR OTHERWISE DISPOSED OF DIRECTLY OR INDIRECTLY, NOR USED FOR ANY PURPOSE OTHER THAN THAT INTENDED WITHOUT THE WRITTEN PERMISSION OF SPECTRUM PROCESS SYSTEM INC.

ENGINEERS RECORD	DATE
DRAWN BY: GSG	OCT. 24 2013
CHECKED BY:	
REVIEWED BY:	
APPROVED BY:	
Q.C. APPD.	



CLIENT		ENCANA CORPORATION	
		c/o SOLARIS MANAGEMENT CONSULTANTS	
PROJECT	15-27 SATURN SISTER COMPRESSOR STATION PHASE 1 (Q-310)		
	15-27-072-17_WSM		
TITLE	GENERAL ARRANGEMENT (PACKAGE A) - SECTION 'C-C', 'D-D' & 'E-E'		
Scale	JOB No.	DWG. No.	REV.
1:20 UNO	SPS-13-05032	L-13-05032-21-005	2



MARK	SIZE	INTD	FACE	SERVICE	E (ELEV REFERENCE)
N1	1"	600J	RF	GIS INLET	2896
N2	1"	600J	RF	SALES GAS OUTLET	800
N3	2"	150J	RF	PRODUCED LIQUIDS OUTLET	880
N4	2"	150J	RF	RECOVERABLE LP FUEL GAS	800
N5	2"	150J	RF	INSTRUMENT AIR	300
N6	2"	150J	RF	HP VENT HEADER	3040
N7	2"	600J	RF	TO GAS/GS RECYC EXCHANGER E-303	1638
N8	2"	150J	RF	NON-RECOVERABLE LP FUEL GAS	1000
N9	2"	150J	RF	SHLL VENT	7407
N10	2"	150J	RF	LP FLAME	300
N11	2"	150J	RF	CLOSED DRNH	100
N12	1/2"	NPT	DRNH	TO GLYCOL STORAGE TANK S-323	1182
N22	4"	600J	RF	OFF-SPEC GAS TO RECYCLE COMPRESSOR	1025
N23	1 1/2"	150J	RF	FLL TO V-322	400

No.	DATE	REVISIONS	BY	CHK	REW	APP	QC	No.	DATE	REVISIONS	BY	CHK	REW	APP	QC
A	NOV 20 2013	ISSUED FOR APPROVAL	GSG	TMD	SS	AW									
B	DEC 17 2013	ISSUED FOR INTERNAL REVIEW	GSG	TMD	SS	AW									
0	JAN 21 2014	ISSUED FOR CONSTRUCTION	GSG	TMD	SS	AW									
1	MAR 11 2014	ADDED TIE-IN N23, I.F.C.	GSG	TMD	SS	AW									
2	MAY 1 2014	AS-BUILT	KHH												

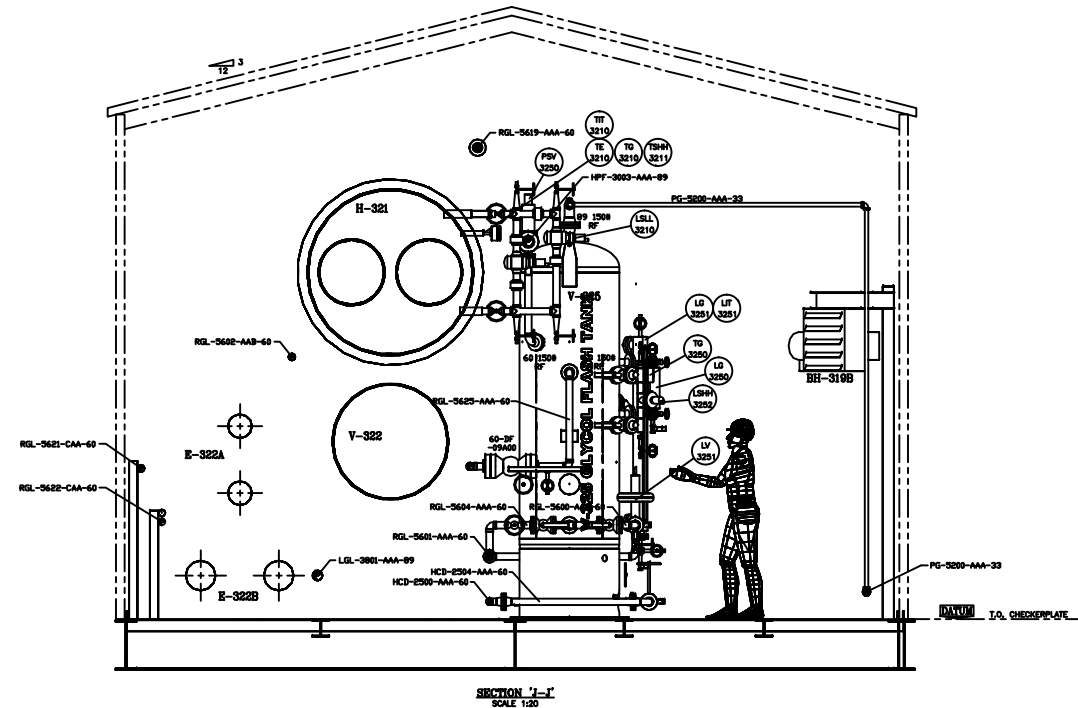
THIS DRAWING IS THE PROPERTY OF SPECTRUM PROCESS SYSTEM INC. AND LOANED TO THE RECIPIENT FOR HIS CONFIDENTIAL USE ONLY. IN CONSIDERATION OF THE LOAN OF THIS DRAWING, THE RECIPIENT PROMISES AND AGREES THAT IT SHALL NOT BE USED IN ANY WAY DETRIMENTAL TO THE INTEREST OF SPECTRUM PROCESS SYSTEM INC., THAT IT SHALL BE RETURNED UPON REQUEST, AND THAT IT SHALL NOT BE REPRODUCED, COPIED, LENT OR OTHERWISE DISPOSED OF DIRECTLY OR INDIRECTLY, NOR USED FOR ANY PURPOSE OTHER THAN THAT INTENDED WITHOUT THE WRITTEN PERMISSION OF SPECTRUM PROCESS SYSTEM INC.

ENGINEERS RECORD	DATE
DRAWN BY: GSG	OCT. 24 2013
CHECKED BY:	
REVIEWED BY:	
APPROVED BY:	
Q.C. APPD.	

SPECTRUM
Process Systems

P.O.# 45130

CLIENT		ENCANA CORPORATION	
PROJECT		c/o SOLARIS MANAGEMENT CONSULTANTS	
15-27 SATURN SISTER COMPRESSOR STATION PHASE 1 (Q-310)	15-27-072-17 WBM		
TITLE GENERAL ARRANGEMENT (PACKAGE A) - SECTION T-T, 'G-G' & 'H-H'			
Scale: 1:20 UNO	JOB No: SPS-13-05032	DWG. No: L-13-05032-21-006	REV: 2



PIPING CLASS SPECIFICATION (AAA)
 (SWEET SERVICE) NON CORROSIVE
 SERVICE : STANDARD TEMP. PIPING
 MATERIAL & RATING : CARBON STEEL, 150# ANSI
 TEMPERATURE RANGE : -29°C TO 204°C
 MAXIMUM PRESSURE : 1965 kPag @ 38°C
 CORROSION ALLOWANCE : 1.6mm
 RADIOGRAPHY : 10% OF ALL BUTT WELDS
 MAG. PARTICLE INSPECTION : 10% OF ALL SW
 STRESS RELIEVE : NONE
 VISUAL INSPECTION (VT) : 100%

PIPE : ASTM SA-106-B SEAMLESS
 1/2" TO 1 1/2" SCH. 80 PE/TE
 2" TO 24" SCH. STD BE
 NOTE SPS DEFAULT IS 2" SCH. 80

NIPPLES/SWAGES : ASTM SA-106-B SEAMLESS
 1/2" TO 1 1/2" PE/TE
 MIN. 101.6mm LG. NIPPLES
 SCH. TO MATCH PIPE BORE
 SWAGES, ASTM SA-234-WPB
 SCH. TO MATCH PIPE BORE
 ALL GLYCOL LINES < 2" ARE SW.

FLANGES : ANSI 150# RF ASTM SA-105N
 1/2" TO 1 1/2" SW/TE
 2" AND LARGER WELDNCK.
 BORED TO SUIT PIPE

GASKETS : 1" & LARGER: 150# RF
 SPIRAL WOUND GASKET,
 3.2mm THK., 316L SS WINDING, CS CENTERING
 RING w/ FLEXIBLE GRAPHITE FILLER/
 STYLE COI, GREY STRIPE

BOLTING : STUDS ASTM SA-193-B7M
 NUTS ASTM SA-194-2HM

FITTINGS : 1/2" TO 1 1/2" 3000#, FORGED STEEL,
 ASTM SA-105N, SW/TE
 2" AND LARGER FORGED STEEL,
 ASTM SA-234-WPB, BW
 SCH. TO MATCH PIPE BORE

SPECTACLE BLINDS : 2" TO 12"
 ANSI 150# RF, ASTM SA-516-70N

SPADES / SPACERS : 14" TO 24"
 ANSI 150# RF, ASTM SA-516-70N

PIPING CLASS SPECIFICATION (AAB)
 (SWEET SERVICE) NON CORROSIVE
 SERVICE : LOW TEMP. PIPING
 MATERIAL & RATING : CARBON STEEL, 150# ANSI
 TEMPERATURE RANGE : -45°C TO 204°C
 MAXIMUM PRESSURE : 1965 kPag @ 38°C
 CORROSION ALLOWANCE : 1.6mm
 RADIOGRAPHY : 10% OF ALL BUTT WELDS
 MAG. PARTICLE INSPECTION : 10% OF ALL SW
 STRESS RELIEVE : NONE
 VISUAL INSPECTION (VT) : 100%

PIPE : ASTM SA-333-GR6 SEAMLESS
 1/2" TO 1 1/2" SCH. 80 PE/TE
 2" TO 24" SCH. STD BE
 NOTE SPS DEFAULT IS 2" SCH. 80

NIPPLES/SWAGES : ASTM SA-333-GR6 SEAMLESS
 1/2" TO 1 1/2" PE/TE
 MIN. 101.6mm LG. NIPPLES
 SCH. TO MATCH PIPE BORE
 SWAGES, ASTM SA-420-WPL6
 SCH. TO MATCH PIPE BORE
 ALL GLYCOL LINES < 2" ARE SW.

FLANGES : ANSI 150# RF ASTM SA-350-LF2 CLASS 1
 1/2" TO 1 1/2" SW/TE
 2" AND LARGER WELDNCK.
 BORED TO SUIT PIPE

GASKETS : 1" & LARGER: 150# RF
 SPIRAL WOUND GASKET,
 3.2mm THK., 316L SS WINDING, CS CENTERING
 RING w/ FLEXIBLE GRAPHITE FILLER/
 STYLE COI, GREY STRIPE

BOLTING : STUDS ASTM SA-193-B7M
 NUTS ASTM SA-194-2HM

FITTINGS : 1/2" TO 1 1/2" 3000#, FORGED STEEL,
 ASTM SA-350-LF2 CLASS 1, SW/TE
 2" AND LARGER FORGED STEEL,
 ASTM SA-420-WPL6, BW
 SCH. TO MATCH PIPE BORE

SPECTACLE BLINDS : 2" TO 12"
 ANSI 150# RF, ASTM SA-516-70N

SPADES / SPACERS : 14" TO 24"
 ANSI 150# RF, ASTM SA-516-70N

PIPING CLASS SPECIFICATION (CAA)
 (SWEET SERVICE) NON CORROSIVE
 SERVICE : STANDARD TEMP. PIPING
 MATERIAL & RATING : CARBON STEEL, 600# ANSI
 TEMPERATURE RANGE : -29°C TO 204°C
 MAXIMUM PRESSURE : 10205 kPag @ 38°C
 CORROSION ALLOWANCE : 1.6mm
 RADIOGRAPHY : 10% OF ALL BUTT WELDS
 MAG. PARTICLE INSPECTION : 10% OF ALL SW
 STRESS RELIEVE : NONE
 VISUAL INSPECTION (VT) : 100%

PIPE : ASTM SA-106-B SEAMLESS
 1/2" TO 1 1/2" SCH. 160 TE
 1/2" TO 1 1/2" SCH. 80 PE
 2" TO 8" SCH. 80 BE
 ASTM SA-333-GR6 SEAMLESS
 8" TO 24" SCH. 80 BE

NIPPLES/SWAGES : ASTM SA-106-B SEAMLESS
 1/2" TO 1 1/2" PE/TE
 MIN. 101.6mm LG. NIPPLES
 SCH. TO MATCH PIPE BORE
 SWAGES, ASTM SA-234-WPB
 SCH. TO MATCH PIPE BORE

FLANGES : ANSI 600# RF ASTM SA-105N
 1/2" TO 1 1/2" SW
 2" AND LARGER WELDNCK.
 BORED TO SUIT PIPE

GASKETS : 1" & LARGER: 600# RF
 SPIRAL WOUND GASKET,
 3.2mm THK., 316L SS WINDING, CS CENTERING
 RING w/ FLEXIBLE GRAPHITE FILLER/
 STYLE COI, GREY STRIPE

BOLTING : STUDS ASTM SA-193-B7M
 NUTS ASTM SA-194-2HM

FITTINGS : 1/2" TO 1 1/2" 3000#, FORGED STEEL,
 ASTM SA-105N, SW/TE
 2" AND LARGER FORGED STEEL,
 ASTM SA-234-WPB, BW
 SCH. TO MATCH PIPE BORE

SPECTACLE BLINDS : 2" TO 12"
 ANSI 600# RF, ASTM SA-516-70N

SPADES / SPACERS : 14" TO 24"
 ANSI 600# RF, ASTM SA-516-70N

PIPING CLASS SPECIFICATION (CAB)
 (SWEET SERVICE) NON CORROSIVE
 SERVICE : LOW TEMP. PIPING
 MATERIAL & RATING : CARBON STEEL, 600# ANSI
 TEMPERATURE RANGE : -45°C TO 204°C
 MAXIMUM PRESSURE : 10205 kPag @ 38°C
 CORROSION ALLOWANCE : 1.6mm
 RADIOGRAPHY : 10% OF ALL BUTT WELDS
 MAG. PARTICLE INSPECTION : 10% OF ALL SW
 STRESS RELIEVE : NONE
 VISUAL INSPECTION (VT) : 100%

PIPE : ASTM SA-333-GR6 SEAMLESS
 1/2" TO 1 1/2" SCH. 160 TE
 1/2" TO 1 1/2" SCH. 80 PE
 2" TO 24" SCH. 80 BE

NIPPLES/SWAGES : ASTM SA-333-GR6 SEAMLESS
 1/2" TO 1 1/2" PE/TE
 MIN. 101.6mm LG. NIPPLES
 SCH. TO MATCH PIPE BORE
 SWAGES, ASTM SA-420-WPL6
 SCH. TO MATCH PIPE BORE

FLANGES : ANSI 600# RF ASTM SA-350-LF2 CLASS 1
 1/2" TO 1 1/2" SW/TE
 2" AND LARGER WELDNCK.
 BORED TO SUIT PIPE

GASKETS : 1" & LARGER: 600# RF
 SPIRAL WOUND GASKET,
 3.2mm THK., 316L SS WINDING, CS CENTERING
 RING w/ FLEXIBLE GRAPHITE FILLER/
 STYLE COI, GREY STRIPE

BOLTING : STUDS ASTM SA-193-B7M
 NUTS ASTM SA-194-2HM

FITTINGS : 1/2" TO 1 1/2" 3000#, FORGED STEEL,
 ASTM SA-350-LF2 CLASS 1, SW/TE
 2" AND LARGER FORGED STEEL,
 ASTM SA-420-WPL6, BW
 SCH. TO MATCH PIPE BORE

SPECTACLE BLINDS : 2" TO 12"
 ANSI 600# RF, ASTM SA-516-70N

SPADES / SPACERS : 14" TO 24"
 ANSI 600# RF, ASTM SA-516-70N

PIPING CLASS SPECIFICATION (DAA)
 (SWEET SERVICE) NON CORROSIVE
 SERVICE : LOW TEMP. PIPING
 MATERIAL & RATING : CARBON STEEL, 900# ANSI
 TEMPERATURE RANGE : -29°C TO 204°C
 MAXIMUM PRESSURE : 15306 kPag @ 38°C
 CORROSION ALLOWANCE : 1.6mm
 RADIOGRAPHY : 10% OF ALL BUTT WELDS
 MAG. PARTICLE INSPECTION : 10% OF ALL SW
 STRESS RELIEVE : NONE
 VISUAL INSPECTION (VT) : 100%

PIPE : ASTM SA-106-B SEAMLESS
 1/2" TO 1 1/2" SCH. 160 PE/TE
 2" TO 3" SCH. 160 BE

NIPPLES/SWAGES : ASTM SA-106-B SEAMLESS
 1/2" TO 1 1/2" PE/TE
 MIN. 101.6mm LG. NIPPLES
 SCH. TO MATCH PIPE BORE
 SWAGES, ASTM SA-234-WPB
 SCH. TO MATCH PIPE BORE

FLANGES : ANSI 1500# RF ASTM SA-105N
 1/2" TO 1 1/2" SW
 ANSI 900# RF ASTM SA-105N
 2" AND LARGER WELDNCK.
 BORED TO SUIT PIPE

GASKETS : 1" & LARGER: 600# RF
 SPIRAL WOUND GASKET,
 3.2mm THK., 316L SS WINDING, CS CENTERING
 RING w/ FLEXIBLE GRAPHITE FILLER/
 STYLE COI, GREY STRIPE

BOLTING : STUDS ASTM SA-193-B7M
 NUTS ASTM SA-194-2HM

FITTINGS : 1/2" TO 1 1/2" 6000#, FORGED STEEL,
 ASTM SA-105N, SW/TE
 2" AND LARGER FORGED STEEL,
 ASTM SA-234-WPB, BW
 SCH. TO MATCH PIPE BORE

SPECTACLE BLINDS : 2" TO 12"
 ANSI 900# RF, ASTM SA-516-70N

SPADES / SPACERS : 14" TO 24"
 ANSI 900# RF, ASTM SA-516-70N

PIPING CLASS SPECIFICATION (DAB)
 (SWEET SERVICE) NON CORROSIVE
 SERVICE : LOW TEMP. PIPING
 MATERIAL & RATING : CARBON STEEL, 900# ANSI
 TEMPERATURE RANGE : -45°C TO 204°C
 MAXIMUM PRESSURE : 15306 kPag @ 38°C
 CORROSION ALLOWANCE : 1.6mm
 RADIOGRAPHY : 10% OF ALL BUTT WELDS
 MAG. PARTICLE INSPECTION : 10% OF ALL SW
 STRESS RELIEVE : NONE
 VISUAL INSPECTION (VT) : 100%

PIPE : ASTM SA-333-GR6 SEAMLESS
 1/2" TO 1 1/2" SCH. 160 PE/TE
 2" TO 3" SCH. 160 BE

NIPPLES/SWAGES : ASTM SA-333-GR6 SEAMLESS
 1/2" TO 1 1/2" PE/TE
 MIN. 101.6mm LG. NIPPLES
 SCH. TO MATCH PIPE BORE
 SWAGES, ASTM SA-420-WPL6
 SCH. TO MATCH PIPE BORE

FLANGES : ANSI 1500# RF ASTM SA-350-LF2 CLASS 1
 1/2" TO 1 1/2" SW
 ANSI 900# RF ASTM SA-350-LF2 CLASS 1
 2" AND LARGER WELDNCK.
 BORED TO SUIT PIPE

GASKETS : 1" & LARGER: 1500# RF
 SPIRAL WOUND GASKET,
 3.2mm THK., 316L SS WINDING, CS CENTERING
 RING w/ FLEXIBLE GRAPHITE FILLER/
 STYLE COI, GREY STRIPE

BOLTING : STUDS ASTM SA-193-B7M
 NUTS ASTM SA-194-2HM

FITTINGS : 1/2" TO 1 1/2" 6000#, FORGED STEEL,
 ASTM SA-350-LF2 CLASS 1, SW/TE
 2" AND LARGER FORGED STEEL,
 ASTM SA-420-WPL6, BW
 SCH. TO MATCH PIPE BORE

SPECTACLE BLINDS : 2" TO 12"
 ANSI 900# RF, ASTM SA-516-70N

SPADES / SPACERS : 14" TO 24"
 ANSI 900# RF, ASTM SA-516-70N

MARK	SIZE	INTNG	FACE	SERVICE	E (BY REFERENCE)
M1	1"	600#	RF	GIS INLET	2000
M2	1"	600#	RF	SALES GIS OUTLET	800
M3	2"	150#	RF	PRODUCED LIQUIDS OUTLET	800
M4	2"	150#	RF	RECOVERABLE LP FUEL GAS	800
M5	2"	150#	RF	INSTRUMENT AIR	300
M6	6"	150#	RF	HP VENT HEADER	3040
M7	2"	600#	RF	TO GAS/GAS RECYC EXCHANGER E-303	1638
M8	2"	150#	RF	NON-RECOVERABLE LP FUEL GAS	1000
M9	2"	150#	RF	SKILL VENT	740P
M10	2"	150#	RF	LP FLARE	300
M11	2"	150#	RF	CLOSED DRUM	100
M12	1/2"	NPT	DRUM TO GLYCOL STORAGE TANK S-323	1182	
M13	4"	600#	RF	OFF-SPEC GAS TO RECYCLE COMPRESSOR	1025
M14	1 1/2"	150#	RF	FILL TO V-322	400

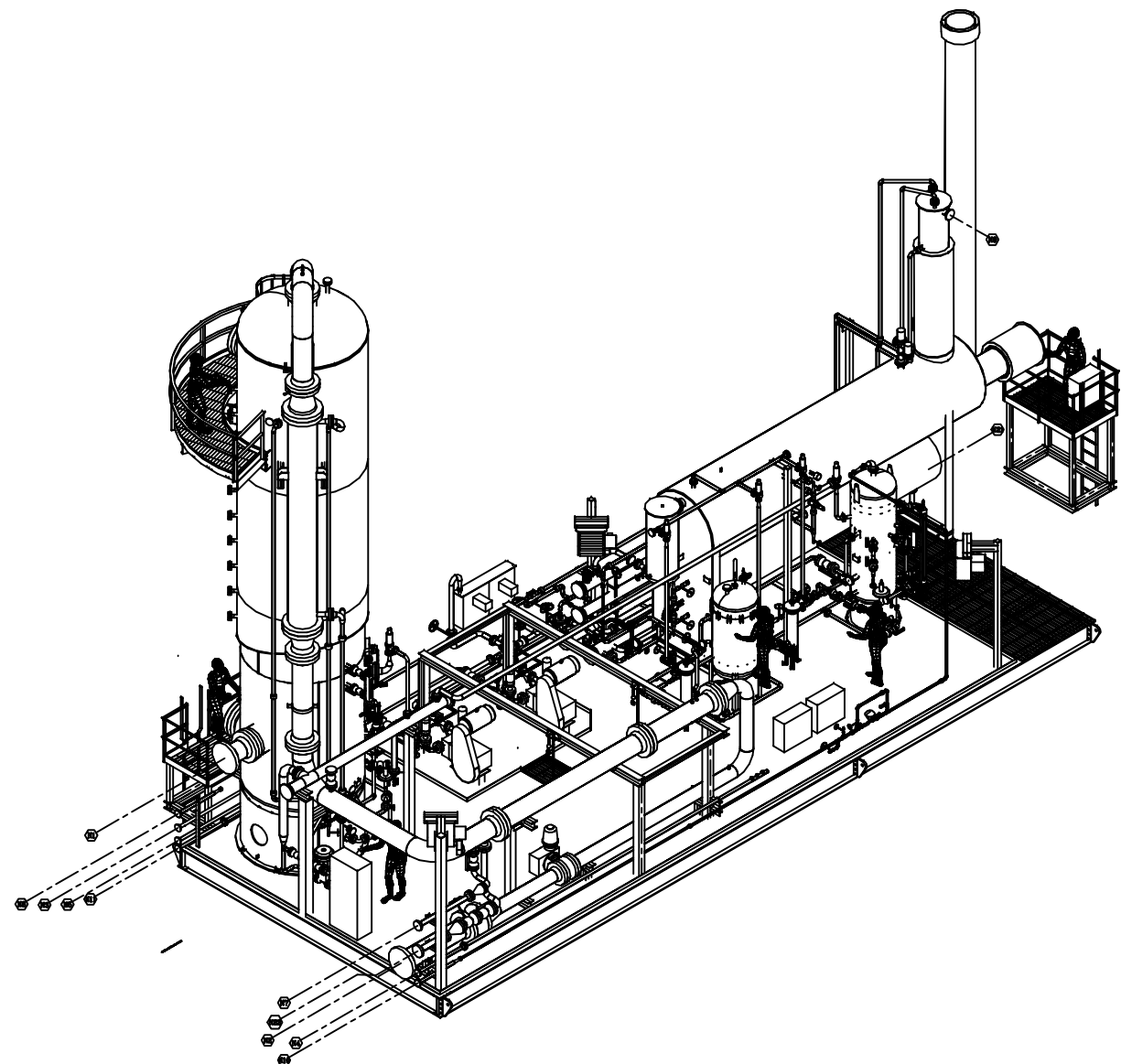
No.	DATE	REVISIONS	BY	CHK	REW	APP	QC	No.	DATE	REVISIONS	BY	CHK	REW	APP	QC
A	NOV. 20 2013	ISSUED FOR APPROVAL	GSG	TMD	SS	AW									
B	NOV. 21 2013	ISSUED FOR INTERNAL REVIEW	GSG	TMD	SS	AW									
0	MAR. 21 2014	ISSUED FOR CONSTRUCTION	GSG	TMD	SS	AW									
1	MAR. 11 2014	ADDED TIE-IN N23, I.F.C.	GSG	TMD	SS	AW									
2	MAY. 01 2014	AS-BUILT	KHH												

THIS DRAWING IS THE PROPERTY OF SPECTRUM PROCESS SYSTEM INC. AND LOANED TO THE RECIPIENT FOR HIS CONFIDENTIAL USE ONLY. IN CONSIDERATION OF THE LOAN OF THIS DRAWING, THE RECIPIENT PROMISES AND AGREES THAT IT SHALL NOT BE USED IN ANY WAY DETRIMENTAL TO THE INTEREST OF SPECTRUM PROCESS SYSTEM INC., THAT IT SHALL BE RETURNED UPON REQUEST, AND THAT IT SHALL NOT BE REPRODUCED, COPIED, LENT OR OTHERWISE DISPOSED OF DIRECTLY OR INDIRECTLY, NOR USED FOR ANY PURPOSE OTHER THAN THAT INTENDED WITHOUT THE WRITTEN PERMISSION OF SPECTRUM PROCESS SYSTEM INC.

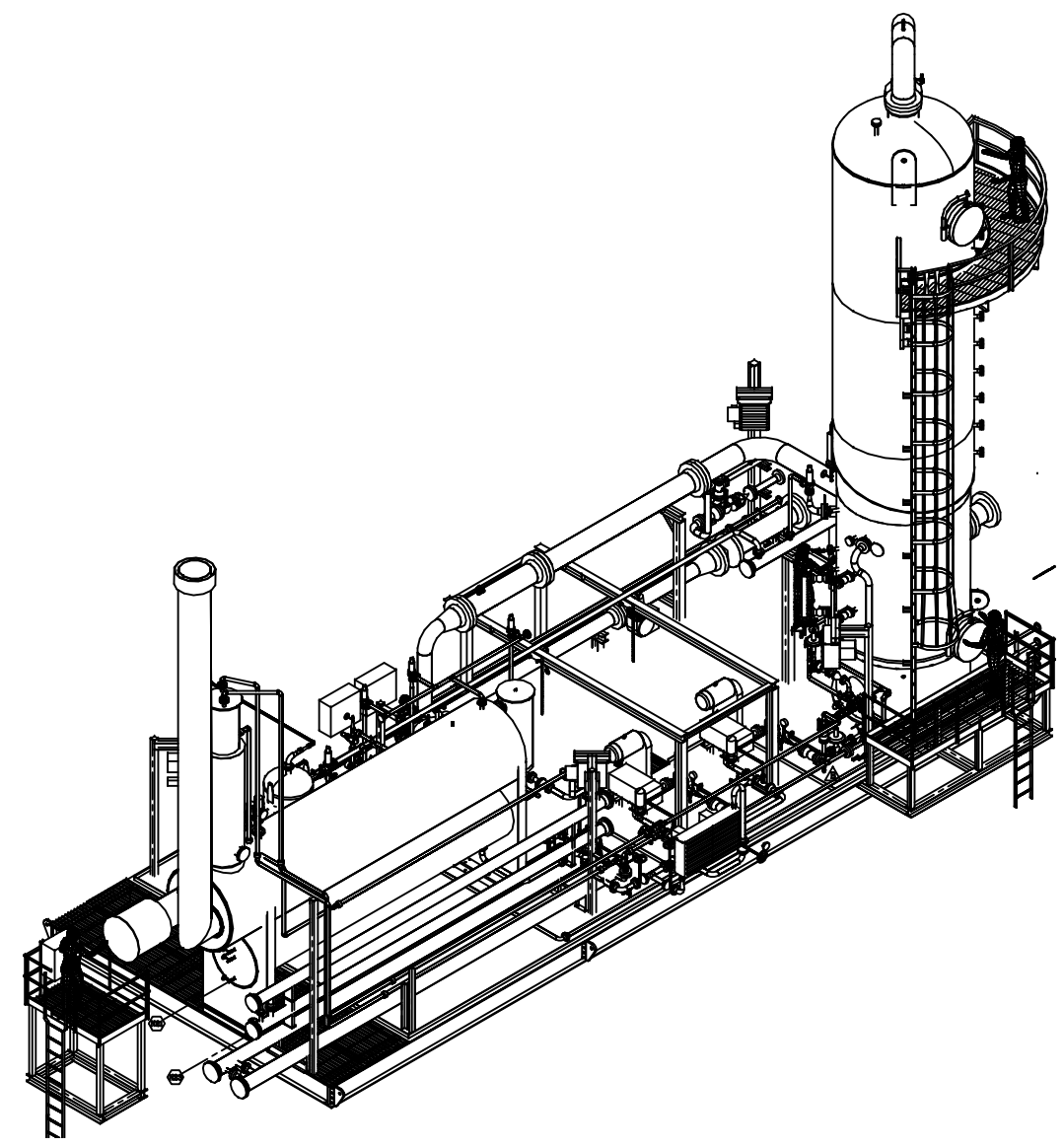
ENGINEERS RECORD	DATE
DRAWN BY : GSG	OCT. 24 2013
CHECKED BY :	
REVIEWED BY :	
APPROVED BY :	
Q.C. APPD. :	

P.O.# 45130

CLIENT	ENCANA CORPORATION c/o SOLARIS MANAGEMENT CONSULTANTS
PROJECT	GLYCOL DEHYDRATION PACKAGE 15-27 SATURN SISTER COMPRESSOR STATION PHASE 1 (Q-310) 15-27-022-17 WBM
TITLE	GENERAL ARRANGEMENT (PACKAGE A) - SECTION 'J'-J' & PIPING CLASS SPECS
Scale	1:20 UNO
JOB No.	SPS-13-05032
DWG. No.	L-13-05032-21-007
REV.	2



SW ISOMETRIC VIEW
SCALE 1:40
BUILDING NOT SHOWN
FOR CLARITY



NW ISOMETRIC VIEW
SCALE 1:40
BUILDING NOT SHOWN
FOR CLARITY

TIE-IN POINTS (DATUM TOP OF CHECKERPLATE)

MARK	SIZE	INSTR	FACE	SERVICE	ELEV (REFERENCE)
N01	16"	8009	RF	RAW GAS INLET	2988
N02	16"	8009	RF	SALES GAS OUTLET	300
N03	2"	1509	RF	PRODUCED LIQUIDS OUTLET	690
N04	2"	1509	RF	RECOVERABLE LP FUEL GAS	300
N05	2"	1509	RF	INSTRUMENT AIR	300
N06	2"	1509	RF	HP VENT HEADER	3040
N07	2"	8028	RF	TO GAS/GAS HEAT EXCHANGER E-353	1638
N08	2"	1509	RF	NON-RECOVERABLE LP FUEL GAS	1020
N09	4"	1509	RF	STEEL VENT	7487
N10	2"	1509	RF	LP FLARE	290
N11	2"	1509	RF	CLOSED DRAIN	180
N12	1/2"	NPT	TUBE	DOWN TO GLYCOL STORAGE TANK S-333	1182
N13	4"	8009	RF	OFF-SPEC GAS TO RECYCLE COMPRESSOR	1625
N14	1/2"	1509	RF	FILL TO V-332	400

No.	DATE	REVISIONS	BY	CHK	REW	APP	QC	No.	DATE	REVISIONS	BY	CHK	REW	APP	QC
A	NOV. 20 2013	ISSUED FOR APPROVAL	GSG	TMD	SS	AW									
B	OCT. 17 2013	ISSUED FOR INTERNAL REVIEW	GSG	TMD	SS	AW									
D	JUN. 21 2014	ISSUED FOR CONSTRUCTION	GSG	TMD	SS	AW									
1	MAY. 11 2014	ADDED TIE-IN N23, L.F.C.	GSG	TMD	SS	AW									
2	MAY. 01 2014	AS-BUILT	KHH												

THIS DRAWING IS THE PROPERTY OF SPECTRUM PROCESS SYSTEM INC. AND LOANED TO THE RECIPIENT FOR HIS CONFIDENTIAL USE ONLY. IN CONSIDERATION OF THE LOAN OF THIS DRAWING, THE RECIPIENT PROMISES AND AGREES THAT IT SHALL NOT BE USED IN ANY WAY DETRIMENTAL TO THE INTEREST OF SPECTRUM PROCESS SYSTEM INC. THAT IT SHALL BE RETURNED UPON REQUEST, AND THAT IT SHALL NOT BE REPRODUCED, COPIED, LENT OR OTHERWISE DISPOSED OF DIRECTLY OR INDIRECTLY, NOR USED FOR ANY PURPOSE OTHER THAN THAT INTENDED WITHOUT THE WRITTEN PERMISSION OF SPECTRUM PROCESS SYSTEM INC.

ENGINEERS RECORD	DATE
DRAWN BY GSG	OCT. 24 2013
CHECKED BY	
REVIEWED BY	
APPROVED BY Q.C. APPD.	



CLIENT	ENCANA CORPORATION c/o SOLARIS MANAGEMENT CONSULTANTS
PROJECT	GLYCOL DEHYDRATION PACKAGE 15-27 SATURN SISTER COMPRESSOR STATION PHASE 1 (G-310) 15-27-078-17 W8M
TITLE	GENERAL ARRANGEMENT (PACKAGE A) - ISOMETRIC VIEWS
Scale	1:20 UNO
JOB No.	SPS-13-05032
DWG. No.	L-13-05032-21-008
REV.	2