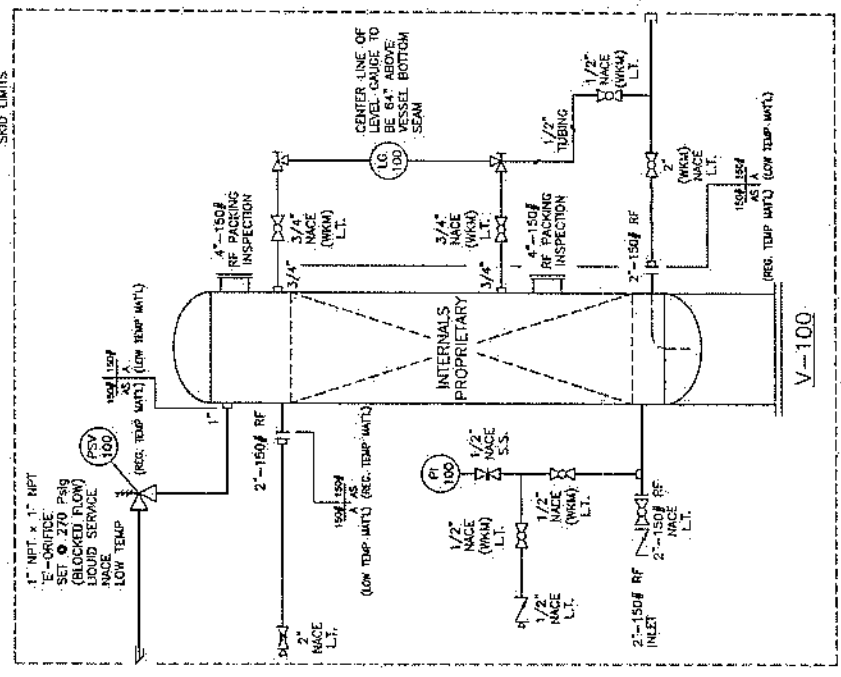


DESIGN CONDITIONS	
DESIGN PRESS:	270 PSIG
DESIGN TEMP:	130°F
OP. PRESS:	145 PSIG
OP. TEMP:	77°F
FLOW:	0.054 MGD
H2S IN:	10-40 ppm
H2S OUT:	< 4 ppm
S.G.:	(GAS)

V-100
 SWEETENING TOWER
 SIZE: 16" O.D. x 8'-0" S/S
 MW: 270 PSIG @ 130°F
 INVT: 200' @ 270 PSIG
 SOUR SERVICE
 PWHT: YES
 X-RAY: RT-1



BILL OF MATERIALS - INSTRUMENTS			
ITEM	QTY	DESCRIPTION	MANUFACT.
IG-100	1	LEVEL GAUGE - (REFLECTOR) C/W 3/4" NPT GAUGE	GE-1118
PSV-100	1	PSV 100 1/2" NPT 150# 100	WAS-1316
PI-100	1	PROCESSING INSTRUMENT 1/2" NPT BOTTOM MOUNT # 4" I.D.	WAS-1047

BILL OF MATERIALS - VALVES			
QTY	RATING	PARTS NO.	DESCRIPTION
1	2"	150#	1/2" BALL VALVE RED PORT RF (NACE), LOW TEMP.
1	2"	3000#	1/2" BALL VALVE RED PORT RF (NACE), LOW TEMP.
2	3/4"	3000#	1/2" BALL VALVE FULL PORT NPT (NACE), LOW TEMP.
1	1/2"	3000#	1/2" BALL VALVE RED PORT NPT (NACE), LOW TEMP.
1	2"	150#	CHECK VALVE RF SWAG (NACE), LOW TEMP.
1	1/2"	300#	CHECK VALVE NPT SWAG (NACE), LOW TEMP.
1	2"	300#	CLOSE VALVE NPT (NACE), LOW TEMP.
1	1/2"	300#	MIDDLE VALVE NPT RT (NACE) SS

EL
 Approved for Fabrication
 Approved for Fabrication, Reface and Resubmit
 Not Approved for Fabrication, Reface and Resubmit
 The purpose of this review is only to determine conformance with the overall general design concept. This review shall not mean that the engineer approves the design principles in the drawings, responsibility for which shall remain with the VENDOR, and such review shall not relieve the VENDOR of responsibility for errors and omissions in the drawings or responsibility for meeting all requirements of the contract documents.
 Date: 2019-10-21
 TUBING: 1/2" O.D. x 0.048" WT 316/316L SMLS
 FITTINGS: SWAGelok, 316SS.

PIPING CLASS: A (150 ANSI RF)
 SERVICE: SWEET, NORMAL, STD-TEMP
 DESIGN: 270 PSIG @ -20°F/+130°F
 CORR. ALLOW: 0.0625" (APPROX.)
 X-RAY: 100% (ON BW)
 PWHT: SA-338-6 SCH 80
 NPT FITTINGS: SA-105-B SCH 80
 OTHER: HIGHEST PRESSURE 405 PSIG
 PIPING CLASS: AS (150 ANSI RF)
 SERVICE: SOUR, NORMAL, STD-TEMP
 DESIGN: 270 PSIG @ -20°F/+130°F
 CORR. ALLOW: 0.125" (APPROX.)
 X-RAY: 100% (ON BW)
 PWHT: YES (ON BW)
 NPT PIPING: SA-105-B SCH 160.
 NPT FITTINGS: SA-105-N 3000#
 OTHER: HIGHEST PRESSURE 405 PSIG

DEL. JOB# 11413
 ENCANVA P.O. BOX 1042
 MIDLAND, TEXAS 79701-0424
 FAX# 0-182

ENCANA CORPORATION
 A Nalco Champion Company

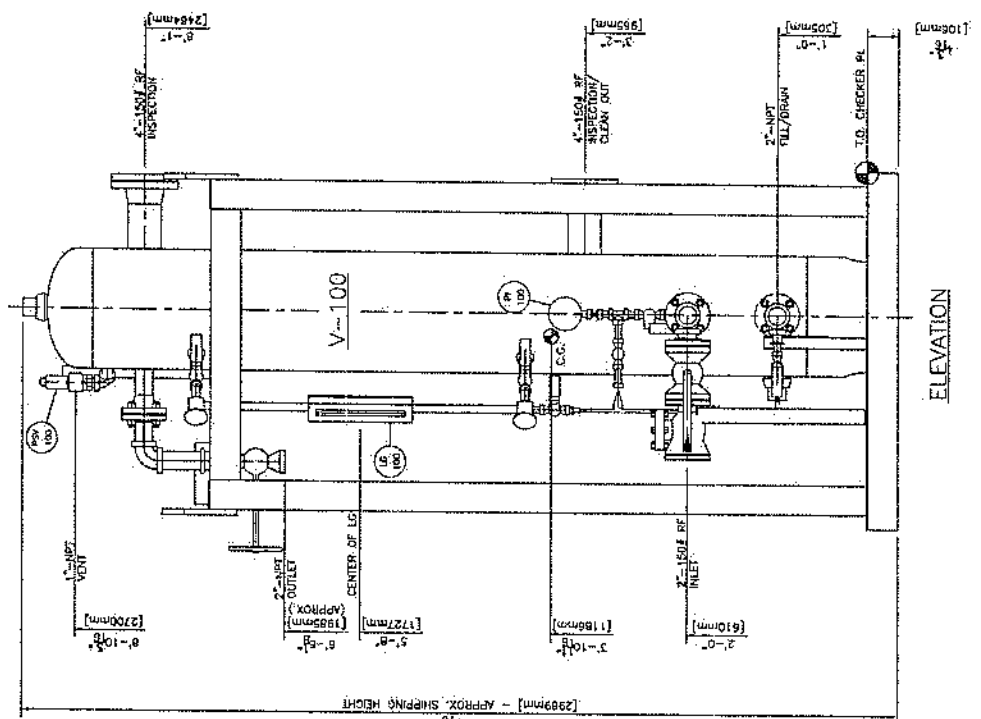
H2S REMOVAL SYSTEM
 #16" CONTACTOR LP - R&ID

SCALE: NTS
 DATE: 2019-10-21
 PROJECT: PD199-214

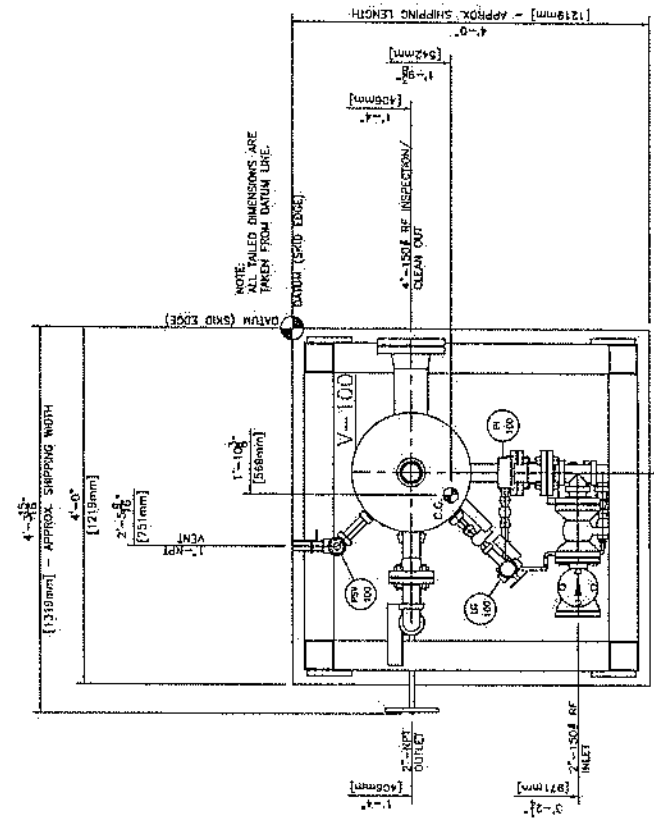
REV.	DATE	DESCRIPTION	DRAWN	CHECK	DESIGN	APPR.
0	28-OCT-19	ISSUED FOR APPROVAL	DZ	GD		

GENERAL NOTES:
 1. BRAND OF VALVES MAY CHANGE DUE TO AVAILABILITY.

NOT DRAWN AND THE DESIGN IS SUBJECT TO CHANGE AND THE PRODUCT IS ULTIMATELY THE PROPERTY OF ULTIMATE INDUSTRIES, LTD. AND SHALL NOT BE REPRODUCED OR REPRODUCED IN ANY MANNER OR USED FOR ANY PURPOSE WITHOUT EXPRESS WRITTEN CONSENT OF ULTIMATE.



ELEVATION



NOTE: ALL DIMENSIONS ARE TAKEN FROM DATUM LIKE DATUM (SKIP EDGE) OR DATUM (SKID EDGE).

DEL. COPY 11413
ENCANA P.O. BOX 242
DENVER, CO. 80202-0242
TAG# D-120

APPROVED FOR FABRICATION

Approved for Fabrication, Revise and Resubmit

Approved for Fabrication, Revise and Resubmit for PLAN

Not Approved for Fabrication, Revise and Resubmit for PLAN

The purpose of this review is only to determine conformance with the overall general design concept. This review does not mean that the signee approves the detail design inherent in the drawings, responsibility for which shall remain with the VENDOR, and such review shall not relieve the VENDOR of responsibility to, errors and omissions in the drawings or responsibility for meeting all requirements of the contract documents.

Sign: _____ Date: 2014-10-31
PAGE 1 OF 2

NOT TO BE USED FOR CONSTRUCTION UNLESS AS BUILT

GENERAL NOTES:
1.) UNIT WEIGHT: 1,000 LBS. (APPROX.)

REV.	DATE	DESCRIPTION	DRAWN	CHECK	DESIGN	APPR.
0	29-OCT-19	ISSUED FOR APPROVAL	DZ		GD	

ENCANA CORPORATION
A Nalco Champion Company

H2S REMOVAL SYSTEM
ø16" LP SWEETENING SKID - PLAN VIEW

3/4" = 1'-0" (Drawing Scale)
LA199-214

THE DRAWING AND THE DESIGN IT CONTAINS ARE CONFIDENTIAL AND THE PROPERTY OF ULTRAFAB. A WAIVED COPYRIGHT PROTECTION AND SHALL NOT BE REPRODUCED OR TRANSMITTED IN ANY FORM OR BY ANY MEANS, ELECTRONIC OR MECHANICAL, WITHOUT EXPRESS WRITTEN PERMISSION OF ULTRAFAB.



REL

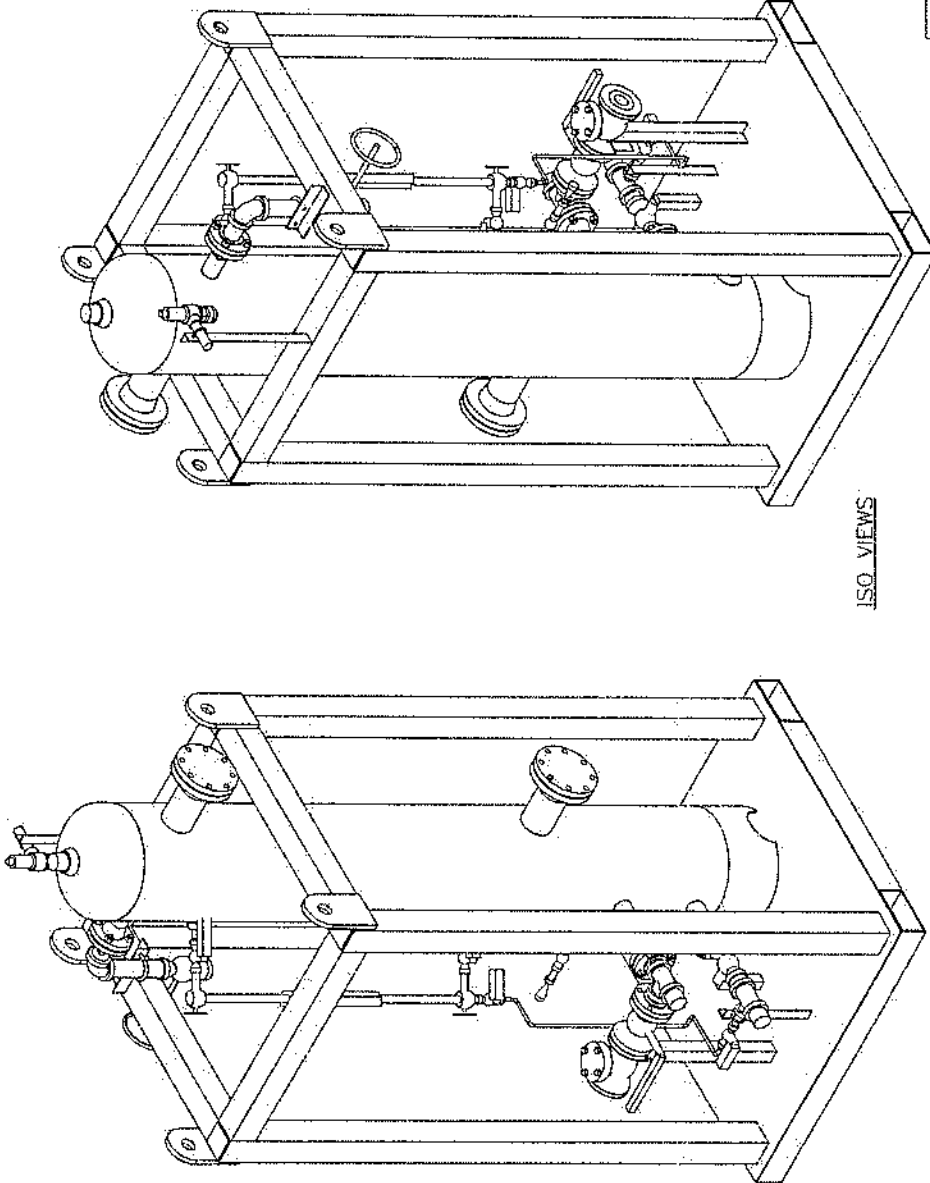
Approved for Fabrication
 Approved for Fabrication, Revise and Resubmit
 Not Approved for Fabrication, Revise and Resubmit for Approval

The purpose of this review is only to determine conformance with the overall general design concept. This review shall not mean that the design approves the detail of any component or the fabricator's responsibility for which shall remain with the vendor. This review shall not release the VENDOR of any responsibility for errors and omissions in the drawings or responsibility for meeting all requirements of the contract documents.

Sign: _____ Date: 7/21/19 - 10-21

CEL 2064 11413
 10000
 BERLAND AVENUE 13-01-01-24 NSM
 7143 9-120

PAGE 2 OF 2
 NOT TO BE USED FOR CONSTRUCTION UNLESS AS BUILT



ISO VIEWS

ENCANA CORPORATION
UltraFab
 A Malco Corporation Company

ITEM: H2S REMOVAL SYSTEM
 #16" LP SWEETENING SKID - ISO VIEWS
 3/4" x 1'-0" (REVISED)
 LA199-214

REV.	DATE	DESCRIPTION	DRAWN	CHECK	DESIGN	APPR.
0	29-OCT-19	ISSUED FOR APPROVAL	DZ		GD	

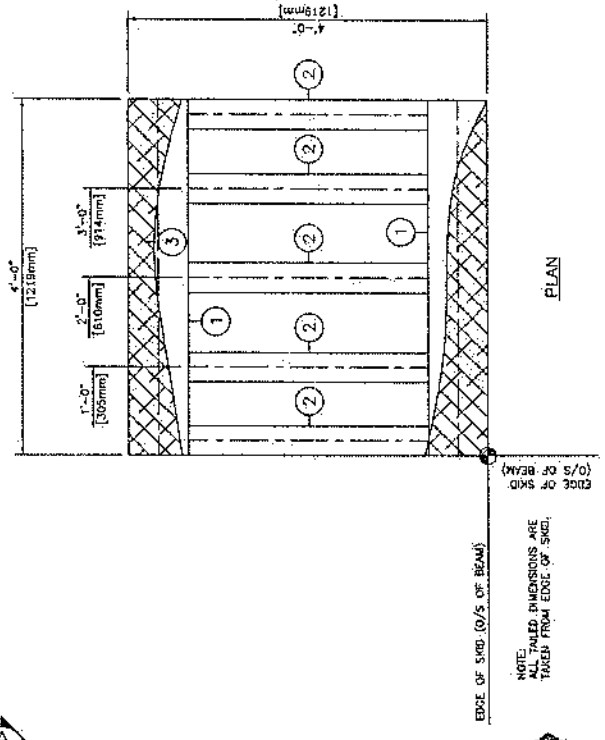
GENERAL NOTES:
 SEE PAGE 1 FOR NOTES

NOT DRAWING AND THE DESIGN IS SUBJECT TO CHANGE WITHOUT NOTICE, AND THE COMPANY OR SUPPLIER SHALL BE RESPONSIBLE TO VERIFY THE DIMENSIONS OF ANY PARTS OR SUPPLIERS BEFORE USE. THIS DRAWING IS THE PROPERTY OF ENLIVA AND SHALL BE RETURNED TO ENLIVA IMMEDIATELY UPON COMPLETION OF THE PROJECT.

BILL OF MATERIAL

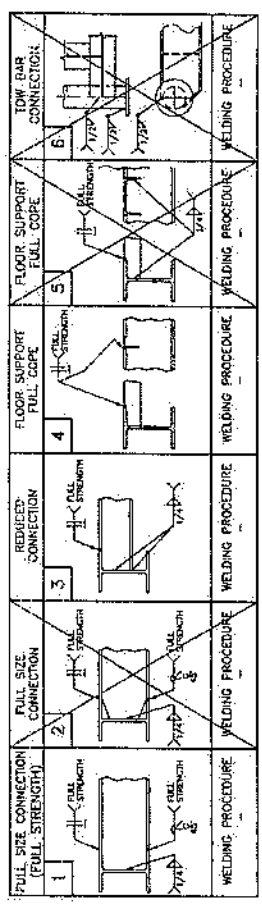
MARK	QTY	LONG ANNOTATION	LENGTH	MATERIAL	WEIGHT
1	2	HSS8x4x1/4"	4'-0"	G40.21-50W	152.16
2	5	HSS4x4x3/16"	2'-8"	G40.21-50W	125.60
3	1	CHECKER PL. 3/16" X 4' X 4'	-	SA-36/44W	139.20

TOTAL WEIGHT: 416.96 lbs



CHECKER PLATE LAYOUT DETAIL

ISO VIEW



APL

Approved for Fabrication.
 Approved for Fabrication, Revise and Resubmit
 Not Approved for Fabrication, Revise and Resubmit for Approval

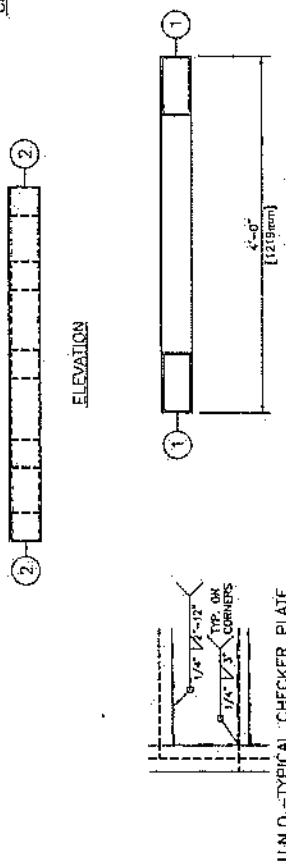
The purpose of this review is only to determine conformance with the overall general design concept. This review shall not mean that the reviewer approves the design absent in the drawings, responsibility for which shall remain with the DESIGNER, and such review shall not relieve the DESIGNER of responsibility for errors and omissions in the drawings or responsibility for meeting all requirements of project documents.

Sign: _____ Date: 2-18-11

DEL. JOB# 11413
 ENCANA P.O. BOX#42
 BENDLAND RIVER 15-03-061-24 WSW
 PAGE 0-130

CHECKER PLATE LAYOUT DETAIL

ISO VIEW



U.N.O.-TYPICAL CHECKER PLATE TO SKID WELD DETAIL

GENERAL NOTES:
 1) ALL WELDS TO BE 1/4" FILLET WELDS, UNLESS OTHERWISE NOTED.
 2) ALL SHARP EDGES & BURRS TO BE REMOVED.

Ultrafab
 A Naico Clampton Company

ENCANA CORPORATION

FILE: #15" SWEETENING SKID - SILVER BULLET
 SKID STEEL DETAIL

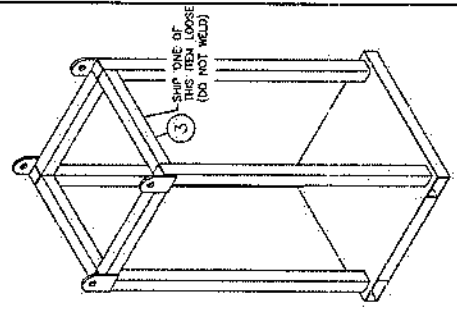
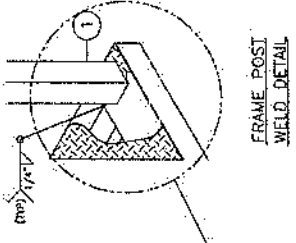
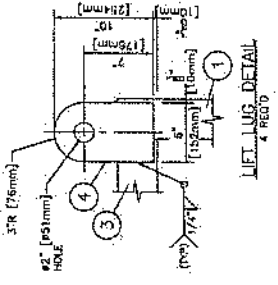
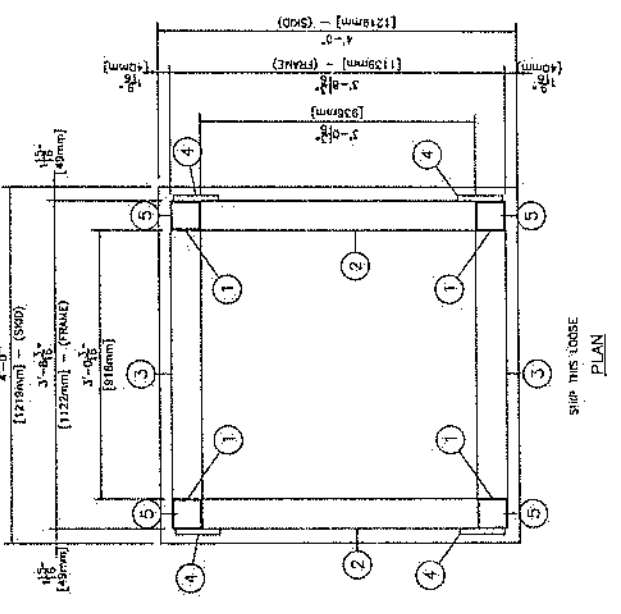
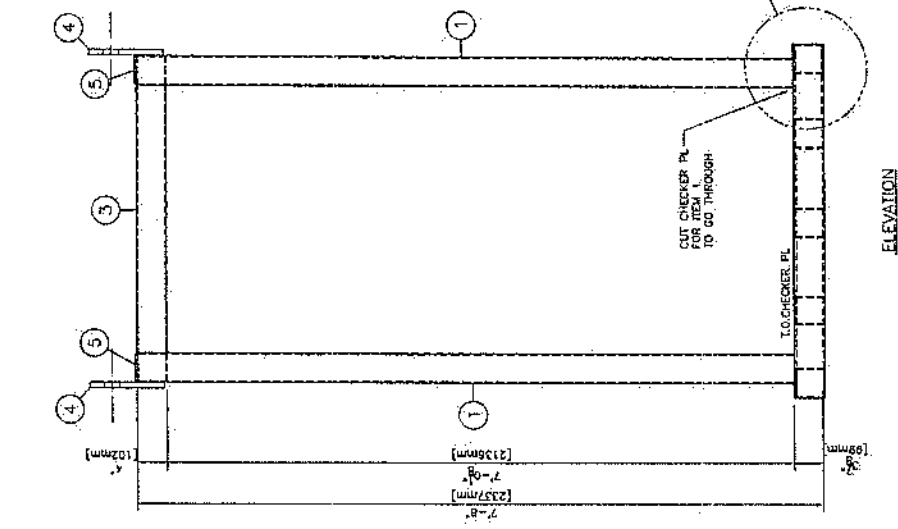
N.T.S. S1189-214

REV.	DATE	DESCRIPTION	DRAWN	CHECK	DESIGN	APPR.
0	30-OCT-10	ISSUED FOR INFORMATION	DZ	GD	GD	

NOT DRAWING AND THE DESIGN OF THESE AND THE PARTICLES OF BEING IN A NAICO CLAMPTON COMPANY, AND SHALL NOT BE RELIED ON OR REPRODUCED IN ANY MANNER OR USED FOR ANY PURPOSE, WHATSOEVER, WITHOUT THE WRITTEN CONSENT OF ULTRAFAB.

BILL OF MATERIAL

ITEM	QTY	DESCRIPTION	LENGTH	MATERIAL	WEIGHT
1	4	HSS4X4X3/16	7'-4 3/4"	G40.21-50W	277.25
2	4	HSS4X4X3/16	3'-0 1/2"	G40.21-50W	57.83
3	2	HSS4X4X3/16 (SHIP 1 LOOSE)	3'-0 3/4"	G40.21-50W	56.77
4	4	PL-3/4 X 10" X 6"	N/A	G40.21-44W	45.12
5	4	PL-1/4 X 3 3/4" X 3 3/4"	N/A	G40.21-44W	3.73
TOTAL WEIGHT:					440.70 lbs



DEL. JOB# 1-113
 DEL. DATE 08/02/02
 REVISION ORDER 15-03-061-24 WDM
 PAGE 2-120

CEL

Approved for Fabrication
 Approved for Fabrication, Revise and Resubmit
 Not Approved for Fabrication, Revise and Resubmit for Approval

The purpose of this review is only to determine conformance with the overall general design concept. This review shall not mean that the signee accepts the final design inherent in the drawings, responsibility for which shall remain with the VENDOR, and each review shall not release the VENDOR of responsibility for errors and omissions in the drawings or responsibility for satisfying all requirements of the contract documents.

Sign: *[Signature]* Date: 10/10/03

GENERAL NOTES:
 1) ALL FILLER WELDS UNLESS OTHERWISE NOTED.
 2) ALL SHARP EDGES & BURRS TO BE REMOVED.

Ultrafab
 A Nalco Champion Company

ENCANA CORPORATION

916" SWEETENING SKID - SILVER BULLET
 SKID STEEL DETAIL

N.T.S. ST199-214

REV.	DATE	DESCRIPTION	DRAWN	CHECK	DESIGN	APPR.
0	30-OCT-03	ISSUED FOR INFORMATION	DZ		GD	

THE DRAWING AND THE DESIGN IT CONTAINS ARE CONFIDENTIAL AND THE PROPERTY OF ULTRAFAB. NO PARTS OR DETAILS TO BE REPRODUCED OR COPIED IN ANY MANNER OR FOR ANY PURPOSE, UNLESS EXPRESSLY IN WRITING BY ULTRAFAB.