

Document Title: Keystone XL Pipeline-Piapot Pump Station MV

Metering Cabinet Refurb Databook

Document Number: 25472-101-V2A-EMM0-W0023

Revision Number: 0

PO Number: 4500249594

Material Requisition Number: 07, IB

Applicable Tag#: 127-PIAPT-B0-JIT-01



Shermco Industries
 1033 Kearns Cres.
 Regina, SK
 Canada, S4K 0A2
 (306) 949-8131

CODE 1: Work may proceed.



Permission to proceed does not constitute acceptance or approval of design details, calculations, analyses, test methods or materials developed or selected by the supplier and does not relieve the supplier from full compliance with contractual obligations.

Name: fiona_jiang

Date: 10/16/2020

Supplier Rev.	Rev Date DD-MMM-YYYY	Reason for Issue	Supplier Name
0	9-Oct-2020	First Issue	Shermco Industries

TO BE COMPLETED BY SUPPLIER										TO BE COMPLETED BY TC Energy	
* PLANNED SUBMITTAL DATE	* ITEM DESCRIPTION NO.	* ITEM CATEGORY CODE	* PO MILESTONE DOCUMENT	* SUPPLIER DOCUMENT TITLE	SUPPLIER DOC NO	SUPPLIER DOC REV	EQUIPMENT NO / TAG NO	SUPPLIER REQUEST TO VOID DOC	* SUPPLIER REFORECAST SUBMITTAL	TC Energy Document No	CLIENT REVIEW REQUIRED FOR THIS DOCUMENT
2020-06-15	06, 07, & 08	YA	No	Metering Cabinet (MC) Ready for Service - Inspection & Test Plan (RFS-ITP)	T262-1082-TCP-MC-RFSITP	1	126-FXVLY-B0-JIT-01 127-PIAPT-B0-JIT-01 128-GRSSY-B0-JIT-01		2020-06-30	5472-101-V2A-EMM0-W0001	
2020-06-15	06	BI	No	KEYSTONE XL PIPELINE-FOX VALLEY PUMP STATION MV METERING CABINET THREE LINE DIAGRAM	T262R-050-001-01	1	126-FXVLY-B0-JIT-01		2020-06-30	5472-101-V2A-EMM0-W0002	
2020-06-15	06	BI	No	KEYSTONE XL PIPELINE-FOX VALLEY PUMP STATION MV METERING CABINET WIRING DIAGRAM	T262R-070-002-01	1	126-FXVLY-B0-JIT-01		2020-06-30	5472-101-V2A-EMM0-W0003	
2020-06-15	07	BI	No	KEYSTONE XL PIPELINE-PIAPOT PUMP STATION MV METERING CABINET THREE LINE DIAGRAM	T262R-050-001-03	1	127-PIAPT-B0-JIT-01		2020-06-30	5472-101-V2A-EMM0-W0004	
2020-06-15	07	BI	No	KEYSTONE XL PIPELINE-PIAPOT PUMP STATION MV METERING CABINET WIRING DIAGRAM	T262R-070-002-03	1	127-PIAPT-B0-JIT-01		2020-06-30	5472-101-V2A-EMM0-W0005	
2020-06-15	08	BI	No	KEYSTONE XL PIPELINE-GRASSY CREEK PUMP STATION MV METERING CABINET THREE LINE DIAGRAM	T262R-050-001-02	1	128-GRSSY-B0-JIT-01		2020-06-30	5472-101-V2A-EMM0-W0006	
2020-06-15	08	BI	No	KEYSTONE XL PIPELINE-GRASSY CREEK PUMP STATION MV METERING CABINET WIRING DIAGRAM	T262R-070-002-02	1	128-GRSSY-B0-JIT-01		2020-06-30	5472-101-V2A-EMM0-W0007	
2020-06-15	06, 07, & 08	EA	No	KEYSTONE XL PIPELINE MV METERING CABINET GENERAL LAYOUT	T262R-475-13-01	1	126-FXVLY-B0-JIT-01 127-PIAPT-B0-JIT-01 128-GRSSY-B0-JIT-01		2020-08-04	5472-101-V2A-EMM0-W0008	
2020-06-15	06, 07, & 08	EA	No	KEYSTONE XL PIPELINE MV METERING CABINET GENERAL LAYOUT - NO DOORS	T262R-475-13-02	0	126-FXVLY-B0-JIT-01 127-PIAPT-B0-JIT-01 128-GRSSY-B0-JIT-01		2020-06-22	5472-101-V2A-EMM0-W0009	
2020-06-15	06, 07, & 08	EA	No	KEYSTONE XL PIPELINE MV METERING CABINET FOOTPRINT LAYOUT	T262R-475-13-03	0	126-FXVLY-B0-JIT-01 127-PIAPT-B0-JIT-01 128-GRSSY-B0-JIT-01		2020-06-22	5472-101-V2A-EMM0-W0010	
2020-06-15	06, 07, & 08	EA	No	KEYSTONE XL PIPELINE MV METERING CABINET GENERAL LAYOUT - NEUTRAL BUS	T262R-475-13-04	0	126-FXVLY-B0-JIT-01 127-PIAPT-B0-JIT-01 128-GRSSY-B0-JIT-01		2020-06-22	5472-101-V2A-EMM0-W0011	
2020-06-15	06, 07, & 08	EB	No	KEYSTONE XL PIPELINE TYPICAL MV METERING BILL OF MATERIALS	T262R-475-13-05	0	126-FXVLY-B0-JIT-01 127-PIAPT-B0-JIT-01 128-GRSSY-B0-JIT-01		2020-06-22	5472-101-V2A-EMM0-W0012	
2020-06-30	06	VX	No	For Valley Signed ITP - (Metering Cabinet (MC) Ready for Service - Inspection & Test Plan (RFS-ITP))	T262-1082-TCP-MC-RFSITP-FXVLY	0	126-FXVLY-B0-JIT-01		2020-06-27	5472-101-V2A-EMM0-W0013	
2020-06-30	07	VX	No	PIAPT Signed ITP - (Metering Cabinet (MC) Ready for Service - Inspection & Test Plan (RFS-ITP))	T262-1082-TCP-MC-RFSITP-PIAPT	1	127-PIAPT-B0-JIT-01		2020-06-03	5472-101-V2A-EMM0-W0014	
2020-06-30	08	VX	No	Grassy Creek Signed ITP - (Metering Cabinet (MC) Ready for Service - Inspection & Test Plan (RFS-ITP))	T262-1082-TCP-MC-RFSITP-GRSSY	1	128-GRSSY-B0-JIT-01		2020-06-03	5472-101-V2A-EMM0-W0015	
2020-06-30	06	IE	No	KEYSTONE XL PIPELINE-FOX VALLEY PUMP STATION MV METERING CABINET CSA CERTIFICATE PACKAGE	T262-1082-TCP-MC-CSA-FXVLY	1	126-FXVLY-B0-JIT-01		2020-06-13	5472-101-V2A-EMM0-W0016	
2020-06-30	07	IE	No	KEYSTONE XL PIPELINE-PIAPOT PUMP STATION MV METERING CABINET CSA CERTIFICATE PACKAGE	T262-1082-TCP-MC-CSA-PIAPT	1	127-PIAPT-B0-JIT-01		2020-06-13	5472-101-V2A-EMM0-W0017	
2020-06-30	08	IE	No	KEYSTONE XL PIPELINE-GRASSY CREEK PUMP STATION MV METERING CABINET CSA CERTIFICATE PACKAGE	T262-1082-TCP-MC-CSA-GRSSY	0	128-GRSSY-B0-JIT-01		2020-06-13	5472-101-V2A-EMM0-W0018	
2020-06-30	06, 07, & 08	YX	No	QUALITY CERTIFICATE (S090901 EQUIVALENT)	T262-1082-QLTY	0	126-FXVLY-B0-JIT-01 127-PIAPT-B0-JIT-01 128-GRSSY-B0-JIT-01		2020-06-29	5472-101-V2A-EMM0-W0019	
2020-06-30	06, 07, & 08	OE	No	OPERATING & MAINTENANCE MANUAL	25472-101-3PS-EM00-W0001	3	126-FXVLY-B0-JIT-01 127-PIAPT-B0-JIT-01 128-GRSSY-B0-JIT-01		2020-08-27	5472-101-V2A-EMM0-W0020	
2020-06-30	06, 07, & 08	XB	No	PACKING, SHIPPING AND HANDLING PROCEDURE	T262-1082-TCP-MC-SHP	0	126-FXVLY-B0-JIT-01 127-PIAPT-B0-JIT-01 128-GRSSY-B0-JIT-01		2020-07-13	5472-101-V2A-EMM0-W0021	
2020-06-30	06, 07, & 08	IB	No	KEYSTONE XL PIPELINE-FOX VALLEY PUMP STATION REFURB DATABASE	T262-1082-TCP-MC-DATA-FXVLY	0	126-FXVLY-B0-JIT-01		2020-10-09	5472-101-V2A-EMM0-W0022	
2020-06-30	06, 07, & 08	IB	No	KEYSTONE XL PIPELINE-PIAPOT PUMP STATION REFURB DATABASE	T262-1082-TCP-MC-DATA-PIAPT	0	127-PIAPT-B0-JIT-01		2020-10-09	5472-101-V2A-EMM0-W0023	
2020-06-30	06, 07, & 08	IB	No	KEYSTONE XL PIPELINE-GRASSY CREEK PUMP STATION REFURB DATABASE	T262-1082-TCP-MC-DATA-GRSSY	0	128-GRSSY-B0-JIT-01		2020-10-09	5472-101-V2A-EMM0-W0024	

Document Title: Metering Cabinet (MC) Ready for Service - Inspection
 And Test Plan (RFS-ITP)

Document Number: 25472-101-V2A-EMM0-W0001

Revision Number: 1

PO Number: 4500249594

Material Requisition Number: 06, 07, 08 YA

Applicable Tag#: 126-FXVLY-B0-JIT-01, 127-PIAPT-B0-JIT-01, 128-GRSSY-B0-JIT-01



Shermco Industries
 1033 Kearns Cres.
 Regina, SK
 Canada, S4K 0A2
 (306) 949-8131

Supplier Rev.	Rev Date DD-MMM-YYYY	Reason for Issue	Supplier Name
0	15-Jun-2020	First Issue	Shermco Industries
1	30-Jun-2020	Updated as per TC mark-ups/redlines	Shermco Industries

Prepared By: _____

Prepared for: _____



Project Information:

Project Reference:

20-T262-1082

Project Title:

TC Energy Keystone XL (KXL) Pipeline

Document Title:

**MV Metering Cabinet (MC)
Ready for Service – Inspection & Test Plan (RFS-ITP)**

1	29June2020	Updated as per TC's mark-ups/comments	BT	TH	TH
0	15June2020	First Issue	BT	TH	TH
Rev	Date	Description	By	Checked	Approved
Division Sermco Engineering - Regina		Orig. Author/Department Brad Temple / Engineering	Project/Bid No. 20-T262-1082		
Document Title MV Metering Cabinet (MC) - Ready for Service – Inspection & Test Plan (RFS-ITP)		TC Energy Document No. 25472-101-V2A-EMMO-W0001	Sermco Document No. T262-1082-TCP-MC-RFSITP		Rev 1

Table Of Contents

1.	Recommendations and Scope	2
2.	Definitions	2
3.	List of Applicable Stations	3
4.	Inspection and Test Plan Matrix	4

1. Recommendations and Scope

Each cabinet has been refurbished based on the previously identified deficiencies documented in each individual report. The following document details the recommended “Ready for Service – Inspection & Test Plan” (RFS-ITP) that would be executed at the storage facility prior to handing the cabinets over to TC-Energy’s pre-commissioning team.

Details of each of the processes and procedures can be found within Section-4 “MV Metering Cabinet Inspection and Test Plan Matrix”. The Metering Cabinet(s) are not permitted to be placed into service until all “Acceptance Criteria” is met in Section-4.

2. Definitions

Definitions defined within the Inspection and Test Plan Matrix on the following pages:

Test Definitions:

CWT	Customer Witness Test	(Specific testing process completed with customer present)
FAT	Factory Acceptance Test	(Internal testing performed by the individual equipment supplier at their factories)
SAT	Site/Storage Acceptance Test	(Specific testing process completed at the site or storage facility)

Status Point Definitions:

H	Hold Point	(Inspection or testing point required)
R	Review Point	(Review of record/certificate only)
S	Surveillance Point	(Random attendance, no signature required)
W	Witness Point	(Attendance expected & signature to proceed only if in attendance)

3. List of Applicable Stations

Table-1 below shows the applicable stations that contain the metering cabinets (along with the quantity of motors/pumps used at that station) along with any status comments.

TABLE-1

#	Station Name	Station Country	Station Province/State	Number of Motors/Pumps (after expan.)	Comments/Station Status
1	PS-1 Hardisty B (for EES-10)	Canada	Alberta	3	No substation equipment at this site, no MV Metering Cabinet RFS-ITP
2	PS-1 Hardisty B(for EES-11)	Canada	Alberta	3	No substation equipment at this site, no MV Metering Cabinet RFS-ITP
3	PS-2 Lakesend East	Canada	Alberta	5	No substation equipment at this site, no MV Metering Cabinet RFS-ITP
4	PS-3 Monitor South	Canada	Alberta	5	No substation equipment at this site, no MV Metering Cabinet RFS-ITP
5	PS-4 Oyen South	Canada	Alberta	4	No substation equipment at this site, no MV Metering Cabinet RFS-ITP
6	PS-5 Blindoss South	Canada	Alberta	5	No substation equipment at this site, no MV Metering Cabinet RFS-ITP
7	PS-6 Fox Valley	Canada	Saskatchewan	5	Shermco – Regina Service Center, Regina, SK
8	PS-7 Piapot	Canada	Saskatchewan	5	Shermco – Regina Service Center, Regina, SK
9	PS-8 Grassy Creek	Canada	Saskatchewan	5	Shermco – Regina Service Center, Regina, SK
10	PS-9 Phillips	United States	Montana	5	No substation equipment at this site, no MV Metering Cabinet RFS-ITP
11	PS-10 Valley	United States	Montana	5	No substation equipment at this site, no MV Metering Cabinet RFS-ITP
12	PS-11 Fort Peck	United States	Montana	5	No substation equipment at this site, no MV Metering Cabinet RFS-ITP
13	PS-12 Circle	United States	Montana	5	No substation equipment at this site, no MV Metering Cabinet RFS-ITP
14	PS-13 Prairie	United States	Montana	4	No substation equipment at this site, no MV Metering Cabinet RFS-ITP
15	PS-14 Fallon	United States	Montana	5	No substation equipment at this site, no MV Metering Cabinet RFS-ITP
16	PS-15 Harding	United States	South Dakota	5	No substation equipment at this site, no MV Metering Cabinet RFS-ITP
17	PS-16 Buffalo	United States	South Dakota	4	No substation equipment at this site, no MV Metering Cabinet RFS-ITP
18	PS-17 Faith	United States	South Dakota	5	No substation equipment at this site, no MV Metering Cabinet RFS-ITP
19	PS-18 Haakon	United States	South Dakota	4	No substation equipment at this site, no MV Metering Cabinet RFS-ITP
20	PS-19 Murdo	United States	South Dakota	5	No substation equipment at this site, no MV Metering Cabinet RFS-ITP
21	PS-20 Winner	United States	South Dakota	5	No substation equipment at this site, no MV Metering Cabinet RFS-ITP
22	PS-21 Colome	United States	South Dakota	5	No substation equipment at this site, no MV Metering Cabinet RFS-ITP
23	PS-22 O'Neill (orig Atkinson)	United States	Nebraska	5	No substation equipment at this site, no MV Metering Cabinet RFS-ITP
24	PS-23 Oakdale (orig Ericsson)	United States	Nebraska	5	No substation equipment at this site, no MV Metering Cabinet RFS-ITP
25	PS-23B Leigh	United States	Nebraska	3	New Station being added, no RFS-ITP
26	PS-24 Bellwood (orig Fullerton/Central City)	United States	Nebraska	5	No substation equipment at this site, no MV Metering Cabinet RFS-ITP
27	PS-25 Milford (orig Fairmont/Exter)	United States	Nebraska	5	No substation equipment at this site, no MV Metering Cabinet RFS-ITP
28	PS-26 Steele City B	United States	Nebraska	5	No substation equipment at this site, no MV Metering Cabinet RFS-ITP
29	PS-27 Riley	United States	Kansas	4	No substation equipment at this site, no MV Metering Cabinet RFS-ITP
30	PS-29 Burns	United States	Kansas	4	No substation equipment at this site, no MV Metering Cabinet RFS-ITP
31	PS-32 Cushing South	United States	Oklahoma	4	No substation equipment at this site, no MV Metering Cabinet RFS-ITP
32	PS-33 Cromwell	United States	Oklahoma	4	No substation equipment at this site, no MV Metering Cabinet RFS-ITP
33	PS-34 Tupelo	United States	Oklahoma	4	No substation equipment at this site, no MV Metering Cabinet RFS-ITP
34	PS-35 Bryan	United States	Oklahoma	4	No substation equipment at this site, no MV Metering Cabinet RFS-ITP
35	PS-36 Delta	United States	Texas	4	No substation equipment at this site, no MV Metering Cabinet RFS-ITP
36	PS-37 Winnsboro	United States	Texas	4	No substation equipment at this site, no MV Metering Cabinet RFS-ITP
37	PS-38 Lake Tyler	United States	Texas	4	No substation equipment at this site, no MV Metering Cabinet RFS-ITP
38	PS-39 Lufkin	United States	Texas	4	No substation equipment at this site, no MV Metering Cabinet RFS-ITP
39	PS-40 Corrigan	United States	Texas	4	No substation equipment at this site, no MV Metering Cabinet RFS-ITP
40	PS-41 Liberty	United States	Texas	4	No substation equipment at this site, no MV Metering Cabinet RFS-ITP

4. MV Metering Cabinet Inspection and Test Plan Matrix

Project Information:		Representative Sign-off:		Customer Representative Sign-off:	
Project Name:	_____	Name:	_____	Name:	_____
Project #:	_____	Title:	_____	Title:	_____
Customer Project #:	_____	Date:	_____	Date:	_____
Pump Sta. #/Name:	_____	Customer Contract #:	_____	Signature:	_____
MC Tag# & Serial#:	_____	Signature:	_____	Signature:	_____

Legend (for "Type" and "Verification Point")										
Test Type: CWT=Customer Witness Point SAT=Storage Acceptance Test FAT=Factory Acceptance Test										
Verification Point: H=Hold Point R=Review Point S=Surveillance Point W=Witness Point										
Item #	Verification/Test Activity	Type			Requirement	Acceptance/NA/Comment <small>"X" Indicates complete and accepted "NA" indicates not applicable Comments struck through (ex. Comment) indicates a comment that has been resolved</small>	Verify Point			
		SAT	FAT	CWT			Shermco	Customer	Cust 3 rd	Factory
TC Energy Keystone XL Project –MV Metering Cabinet (MC) RFS-ITP Processes										
1.0 MV Metering Cabinet (MC) RFS-ITP Process 1: Physical/Mechanical Inspection & Refurbishment Activities (Executed at storage facility)										
1.1	Compare unit's nameplate with drawings/specification.	X			Verify that the information on the nameplate matches what is required from the specification.		H	RS		
1.2	Inspect the physical and mechanical condition of each compartment in the metering cabinet. <ul style="list-style-type: none"> Termination points Opening/Closing of cabinet doors Push/Pull of instrument transformer drawers Condition of the buses & insulated surfaces Condition of grounding connections Condition of shorting connections 	X			Ensure that no grounding or shorting connections will not be problematic and will work as intended. Validate no physical abnormalities exist. Where abnormalities are identified, photos shall be taken for record and engineering review. Ensure the deficiencies noted from the previous inspection reports have been repaired.	Refer to inspection report to view the previously noted deficiencies.	H	RS		
1.3	Clean the meter cabinet. <ul style="list-style-type: none"> Vacuum and wipe all compartments. Wipe (dry rag) all insulation surfaces. Use of denatured alcohol is permitted if dry rag cannot clean insulation surfaces. Contacts or any current carrying surfaces should be cleaned with an abrasive cloth or fine Scotch-Brite product in combination with an approved contact cleaner and contact lubricator. 	X			Validate the unit is clean. <ul style="list-style-type: none"> No unnecessary debris No buildup of dirt, soil, sand, or soot is allowed inside any of the compartments 	Do not use any solvents that may leave residue afterwards.	H	RS		
1.4	Install and test functional operation of the kirk-key interlock system. Clean up any mess caused from installation.	X			Verify that the metering cabinet doors cannot open unless the kirk-key interlock system allows the metering cabinet doors to open.		H	RS		

1.5	Install, modify, and function test Terminal Block TB1 as per the wiring diagram. Clean up any mess caused from installation/modification.	X		Verify that the installation is correct as per the wiring diagram and that any future interconnections can be made. Ensure the receptacle wiring is modified as per the wiring diagram. Take a photo after installation & modifications are completed.	For 127-PIAPT-B0-JIT-01 & 128-GRSSY-B0-JIT-01, ensure the barrier is placed between the UPS and normal power sources on the TB1 terminal block. For 127-PIAPT-B0-JIT-01 & 128-GRSSY-B0-JIT-01, affix lamacoid tags saying "WARNING THIS CABINET CONTAINS MULTIPLE POWER SOURCES" to the cabinet doors at a suitable height to be seen.	H	RS		
1.6	Install the Isolated Neutral Bus Bar as per the wiring diagram and general assembly drawings. Clean up any mess caused from installation.	X		Verify that the installation is correct as per the wiring diagram and general assembly drawings. Take a photo after installation is completed.		H	RS		
1.7	Compare Current Transformer nameplate data with drawings and specifications.	X		Verify that the information on the nameplate matches what is required from the specification. Ensure the turns ratio on the nameplate matches the specification.		H	RS		
1.8	Inspect the physical condition of each Current Transformer. <ul style="list-style-type: none"> Condition of termination points Condition of the case Condition of wires Mounting and alignment of each unit in the instrument drawer 	X		Validate no physical abnormalities exist. Where abnormalities are identified, photos shall be taken for record and engineering review. Verify that adequate clearances exist between primary and secondary wires.		H	RS		
1.9	Check that the connections for each current transformer are correct. Reference design drawings and specification documents.	X		Verify that the connections are correct, and that intended CT ratio will be used.		H	RS		
1.10	Check the tightness of all bolted electrical connections related to the Current Transformers.	X		Verify that no loose connections exist.		H	RS		
1.11	Compare Potential Transformer nameplate data with drawings and specifications.	X		Verify that the information on the nameplate matches what is required from the specification. Ensure the turns ratio on the nameplate matches the specification.		H	RS		
1.12	Inspect the physical condition of each Potential Transformer. <ul style="list-style-type: none"> Condition of termination points Condition of the case Condition of wires Mounting and alignment of each unit in the instrument drawer 	X		Validate no physical abnormalities exist. Where abnormalities are identified, photos shall be taken for record and engineering review. Verify that adequate clearances exist between primary and secondary wires.		H	RS		
1.13	Check that the connections for each Potential Transformer are correct. Reference design drawings and specification documents.	X		Verify that the connections are correct, and that intended turns ratio will be used.		H	RS		
1.14	Check the tightness of all bolted electrical connections related to the Potential Transformers.	X		Verify that no loose connections exist.		H	RS		
1.15	Inspect the physical condition of the Power Meter Socket. <ul style="list-style-type: none"> Visibly shorted connections Visibly grounded Condition of the case/enclosure Condition of the meter connections Condition of wires Condition of test switches Mounting and alignment 	X		Validate no physical abnormalities exist. Where abnormalities are identified, photos shall be taken for record and engineering review.		H	RS		

General Comments to Section 1.0

- Any refurbishment activities that require bolted connections need to be appropriately torqued. Apply torque marks when confirmed proper torque to bolt.
 - Attach bolt torque reports to the final/filled-out ITP
- This procedure is to be completed in full before any electrical testing is to take place.

Legend (for "Type" and "Verification Point")												
Test Type:		CWT=Customer Witness Point	SAT=Storage Acceptance Test	FAT=Factory Acceptance Test								
Verification Point:		H=Hold Point	R=Review Point	S=Surveillance Point	W=Witness Point							
Item #	Verification/Test Activity	Type			Acceptance Criteria				Verify Point			
		SAT	FAT	CWT	Requirement	Acceptance/NA/Comment			Shermco	Customer	Cust 3 rd	Factory
					<input checked="" type="checkbox"/> Indicates complete and accepted "NA" indicates not applicable Comments struck through (ex. Comment) indicates a comment that has been resolved							
TC Energy Keystone XL Project –MV Metering Cabinet (MC) RFS-ITP Processes												
2.0 MV Metering Cabinet (MC) RFS-ITP Process 2: Electrical Testing (Executed at storage facility)												
2.1	Perform a ductor/contact-resistance tests on each bus bar.	X			Verify that the test value for each bus is less than 10μΩ.	Test resistance values above 10μΩ will be further examined. Reasons for poor test results could be, <ul style="list-style-type: none"> Loose Connections Improper tension on bolted joints Eroded contact surfaces Contaminated or corroded contacts 			H	RS		
2.2	Perform an insulation-resistance test of each Current Transformer. <ul style="list-style-type: none"> Apply 1000V DC Primary to ground for 1 minute Apply 1000V DC Secondary to ground for 1 minute 	X			Refer to ANSI/NETA ATS Table 100.5 for minimum insulation resistance values. Confirm that the test resistance value is above the minimum insulation resistance stated.				H	RS		
2.3	Perform polarity testing on each Current Transformer.	X			Verify that the polarity of the Current Transformer matches the polarity markings on the unit.				H	RS		
2.4	Perform a ratio verification test on each Current Transformer.	X			Verify that the nameplate ratio matches the test results.	Ratio error should be minimal. Refer to IEEE C57.13 or manufacturer's documentation if large error exists.			H	RS		
2.5	Perform an excitation test on each Current Transformer.	X			Verify that the Current Transformer reaches saturation during the test. Compare the test results between each Current Transformer and previous test results.	Operating and saturation (knee point) regions should be clearly identified in test results to prove accuracy rating and that no shorted windings exist. Refer to IEEE C57.13.1 or manufacturer's documentation for more information.			H	RS		
2.6	Measure the current circuit burden of each Current Transformer.	X			Verify that each burden matches the labeled transformer rating.				H	RS		
2.7	Perform a dielectric withstand test on the primary winding with the secondary grounded for each Current Transformer.	X			Apply voltage in accordance to either the manufacturer's data or ANSI/NETA ATS Table 100.9. Unit passes the test if there is no evidence of distress or insulation failure after the test is completed.	Do not proceed if any distress or insulation failure is observed as a result of the test.			H	RS		
2.8	Perform power-factor or dissipation-factor tests on each Current Transformer.	X			Confirm that power-factor or dissipation-factor values compare to the manufacturer's data.	In the absence of manufacturer data, use the test equipment manufacturer's data instead.			H	RS		

2.9	Check to see that each Current Transformer's secondary circuits are grounded.	X		Confirm that each Current Transformer's secondary circuit is grounded and that there is only one grounding point.	Refer to grounding location specified by the engineer in the project drawings. Refer to ANSI/IEEE C57.13.3.	H	RS		
2.10	Perform an insulation-resistance test on each Potential Transformer. <ul style="list-style-type: none"> Winding-to-winding Winding-to-ground 	X		Refer to ANSI/NETA ATS Table 100.5 for minimum insulation resistance values. Confirm that the test resistance value is above the minimum insulation resistance stated.		H	RS		
2.11	Perform polarity testing on each Potential Transformer.	X		Verify that the polarity of the Potential Transformer matches the polarity markings (H1-X1 relationship) on the unit.		H	RS		
2.12	Perform a ratio verification test for each tap setting on each Potential Transformer.	X		Verify that the nameplate ratios match the test results.	Ratio error should be minimal. Refer to IEEE C57.13 or manufacturer's documentation if large error exists.	H	RS		
2.13	Measure the voltage circuit burden of each Potential Transformer.	X		Verify that each burden matches the labeled transformer rating.		H	RS		
2.14	Perform a dielectric withstand test on the primary winding with the secondary grounded for each Potential Transformer.	X		Apply voltage in accordance to either the manufacturer's data or ANSI/NETA ATS Table 100.9. Unit passes the test if there is no evidence of distress or insulation failure after the test is completed.	Do not proceed if any distress or insulation failure is observed as a result of the test.	H	RS		
2.15	Perform power-factor or dissipation-factor tests on each Potential Transformer.	X		Confirm that power-factor or dissipation-factor values compare to the manufacturer's data.	In the absence of manufacturer data, use the test equipment manufacturer's data instead.	H	RS		
2.16	Check to see that each Potential Transformer's secondary circuits are grounded.	X		Confirm that each Potential Transformer's secondary circuit is grounded and that there is only one grounding point.	Refer to grounding location specified by the engineer in the project drawings. Refer to ANSI/IEEE C57.13.3.	H	RS		
2.17	Perform an insulation resistance test on the isolated neutral bus bar. <ul style="list-style-type: none"> Apply 1000V DC for 1 minute 	X		Refer to ANSI/NETA ATS Table 100.1 for minimum insulation resistance values. Confirm that the test resistance value is above the minimum insulation resistance stated.		H	RS		
2.18	Perform a ductor test on the isolated neutral bus bar.	X		Verify that the test value for each bus is less than 10 $\mu\Omega$.	Test resistance values above 10 $\mu\Omega$ will be further examined. Reasons for poor test results could be, <ul style="list-style-type: none"> Loose Connections Improper tension on bolted joints Eroded contact surfaces Contaminated or corroded contacts 	H	RS		
2.19	Check to see if the heaters are functioning properly. Check the functionality of the thermostats.	X		Verify that they can be energized and produce heat. Verify that the thermostats are operational.	Heaters should turn on when the thermostat set point is below ambient temperature. Heaters should turn off when the thermostat set point is above ambient temperature.	H	RS		

General Comments to Section 2.0

-If the Metering Cabinet(s) are deemed to have failed any of the Acceptance Testing Criteria, they would be considered non-serviceable

- Components will need to be refurbished or be completely replaced in attempt to pass the Acceptance Testing Criteria.
- Once components have been refurbished/replaced, retest the Metering Cabinet(s) with the same procedure.

-Any bolted connections that were taken off for electrical testing need to be appropriately torqued when reattached. Apply torque marks when confirmed proper torque to bolt.

-As-Built drawings need to be signed/stamped.

-Record all test result on test sheets and attach the final/filled-out ITP. Test equipment logs & calibration certificates to be attached too.

Legend (for "Type" and "Verification Point")										
Test Type:		CWT=Customer Witness Point	SAT=Storage Acceptance Test	FAT=Factory Acceptance Test						
Verification Point:		H=Hold Point	R=Review Point	S=Surveillance Point		W=Witness Point				
Item #	Verification/Test Activity	Type			Acceptance Criteria				Verify Point	
		SAT	FAT	CWT	Requirement	Acceptance/NA/Comment		Shermco	Customer	Cust 3 rd
TC Energy Keystone XL Project –MV Metering Cabinet (MC) RFS-ITP Processes										
3.0 MV Metering Cabinet (MC) RFS-ITP Process 3: Prepare for Storage (Executed at storage facility)										
3.1	Have a CSA Inspection done on the Metering Cabinet.	X			The metering cabinet needs to comply with CSA standards. The CSA inspector will provide a certificate/permit. That certificate/permit needs to demonstrate that the metering cabinet is "CSA Approved".				H	RS
3.2	Determine where the Metering Cabinet is going to be stored. Create a moving plan on how each Metering Cabinet will be moved safely to the storage location outside.	X			Communicate moving plan to team members.				H	RS
3.3	Use a lift-truck/crane to move the Metering Cabinet outside for storage.	X			Ensure the storage location is accessible to temporary power. Temporary power is needed to run the heaters.				H	RS
3.4	Connect temporary power to enable the heaters.	X			Verify that the heaters are operational at the storage location.				H	RS
<p>General Comments to Section 3.0</p> <p>-Proceed with Section 3.0 when section 1.0 & 2.0 are completed.</p> <p>-Metering Cabinets are to remain in storage until further notice.</p> <p>-While in storage monthly inspections need to be performed and documented.</p> <ul style="list-style-type: none"> • Check the heaters • General visual inspection <p>-Prepare shipment and include applicable documentation (MSDS, Storage/Installation/Maintenance manuals, ect) when each unit is requested to be shipped.</p> <p>-Record all test result on test sheets and attach the final/filled-out ITP. Test equipment logs & calibration certificates to be attached too.</p>										

-----End of Document-----

Document Title: Keystone XL Pipeline-Piapot Pump Station MV

Metering Cabinet Three Line Diagram

Document Number: 25472-101-V2A-EMM0-0004

Revision Number: 1

PO Number: 4500249594

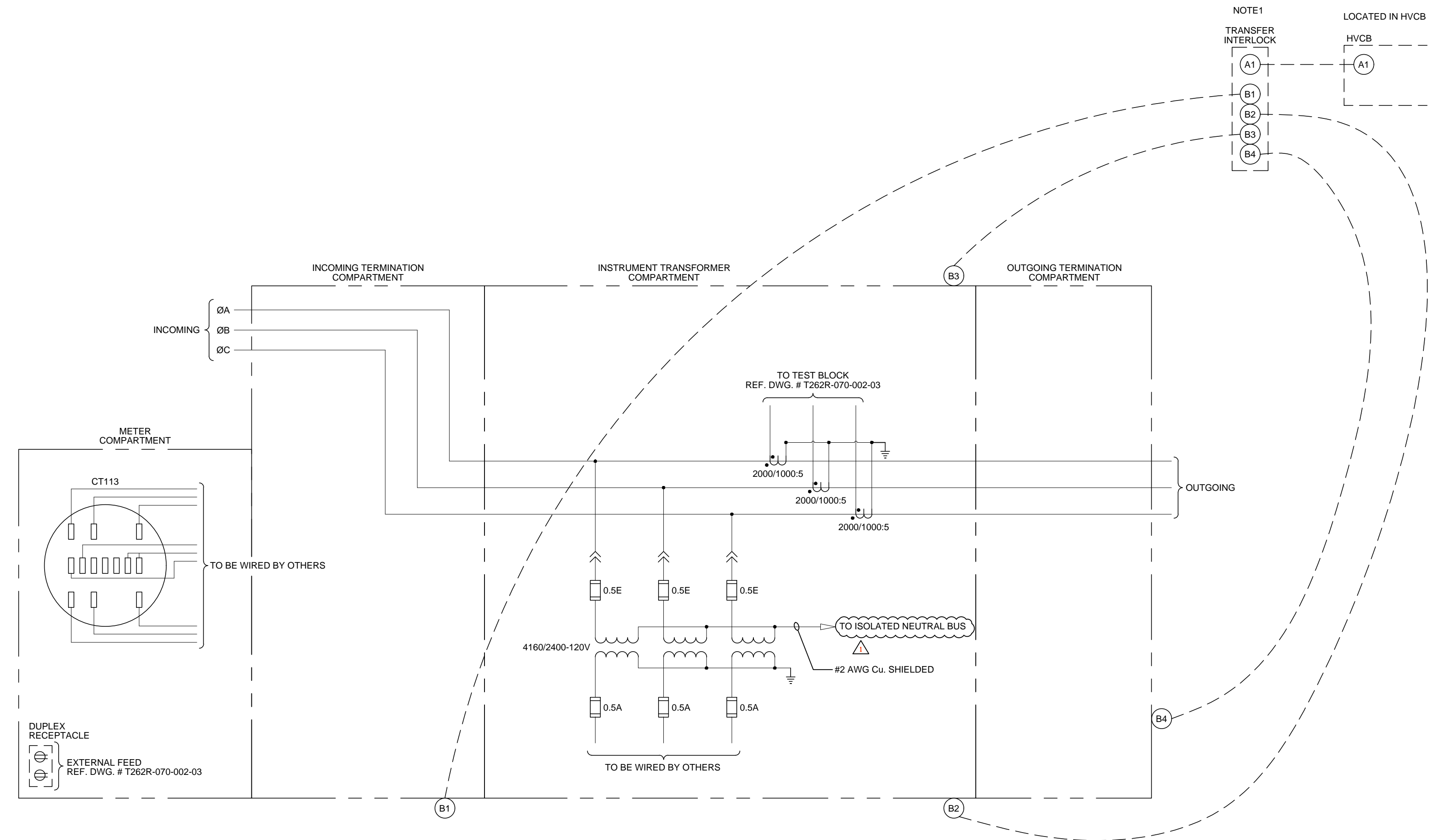
Material Requisition Number: 07, BI

Applicable Tag#: 127-PIAPT-B0-JIT-01



Shermco Industries
 1033 Kearns Cres.
 Regina, SK
 Canada, S4K 0A2
 (306) 949-8131

Supplier Rev.	Rev Date DD-MMM-YYYY	Reason for Issue	Supplier Name
0	15-Jun-2020	First Issue with Referbishment Update	Shermco Industries
1	30-Jun-2020	Fixed ref. to drawing no. for CT connections	Shermco Industries



NOTES:

1. INTERLOCK KEY SCHEME:

INITIAL CONDITION:

HVCB IS CLOSED WITH KEY "A" CAPTIVE IN ITS RESPECTIVE KEY INTERLOCK. METERING CABINET COMPARTMENTS ARE LOCKED CLOSED WITH NO KEYS PRESENT IN THEIR RESPECTIVE KEY INTERLOCKS. THE 5-KEY TRANSFER INTERLOCK HAS FOUR "B" KEYS CAPTIVE IN ITS SECONDARY CYLINDER POSITIONS.

TO HAVE ACCESS TO METERING CABINET COMPARTMENTS:

1. OPEN HVCB
2. TURN KEY "A" ON LO INTERLOCK ON HVCB TO LOCK OPEN. KEY "A" IS NOW FREE.
3. INSERT KEY "A" IN THE 5-KEY TRANSFER INTERLOCK AND TURN. KEYS "B" ARE NOW FREE.
4. USE THE "B" KEYS TO UNLOCK THE METERING CABINET'S DOORS.

REVERSE SEQUENCE TO RESTORE SERVICE.

**ISSUED FOR
CONSTRUCTION**

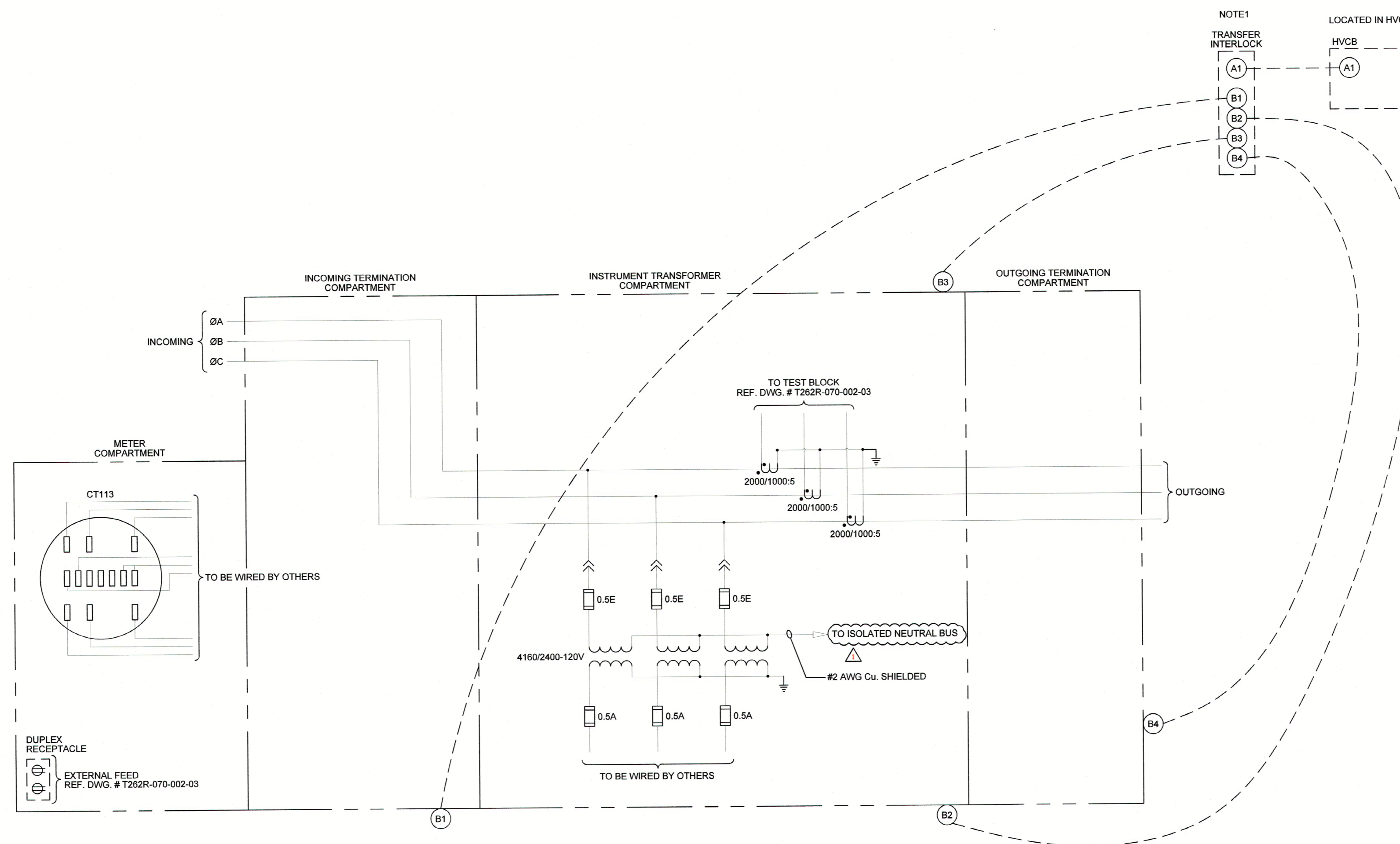
NO.	DRAWING REFERENCES	REV	REVISION DESCRIPTION	DRAWN	DATE	CHKD	APPD	CLIENT
		B	ISSUED FOR CONSTRUCTION	DL	04/02/2013	TD		
		1	FIELD CHANGES	HW	29/06/2020	BT	SM	

NOTICE
This document contains information that is the property of Magna Electric Corporation (MEC). All original drawings, documents and reports are issued in confidence that the client will not use or permit the use of the information contained therein to be copied, reproduced or disclosed to others without the written consent of MEC. MEC accepts no liability for unauthorized use.

DRAWN	DESIGNED
BY: EJP	TD
DATE: 11/06/2012	11/06/2012
CHECKED	APPROVED
TD	CLIENT APPD.
11/06/2012	
SCALE	NTS
PROJECT NO.	20-T262R-1082

CLIENT	TCPL
TITLE	KEYSTONE XL PIPELINE-PIAPOT PUMP STATION MV METERING CABINET THREE LINE DIAGRAM
DWG. NO.	T262R-050-001-03

REV	▲
-----	---



NOTES:

1. INTERLOCK KEY SCHEME:

INITIAL CONDITION:

HVCB IS CLOSED WITH KEY "A" CAPTIVE IN ITS RESPECTIVE KEY INTERLOCK. METERING CABINET COMPARTMENTS ARE LOCKED CLOSED WITH NO KEYS PRESENT IN THEIR RESPECTIVE KEY INTERLOCKS. THE 5-KEY TRANSFER INTERLOCK HAS FOUR "B" KEYS CAPTIVE IN ITS SECONDARY CYLINDER POSITIONS.

TO HAVE ACCESS TO METERING CABINET COMPARTMENTS:

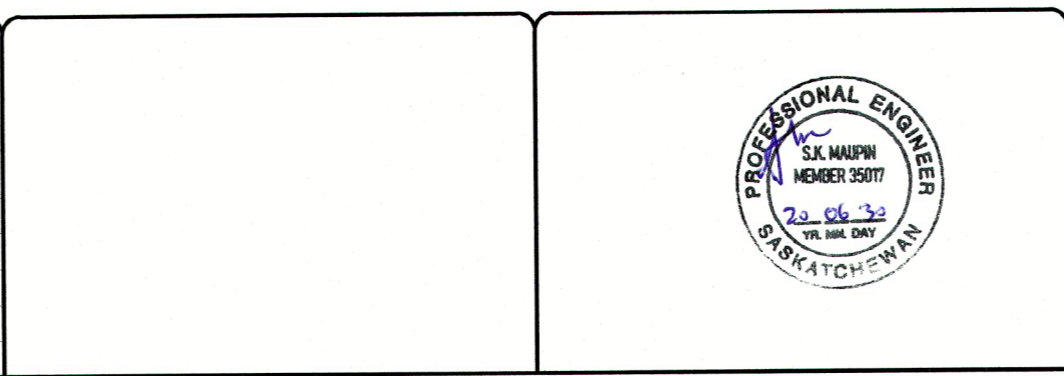
1. OPEN HVCB
2. TURN KEY "A" ON LO INTERLOCK ON HVCB TO LOCK OPEN. KEY "A" IS NOW FREE.
3. INSERT KEY "A" IN THE 5-KEY TRANSFER INTERLOCK AND TURN. KEYS "B" ARE NOW FREE.
4. USE THE "B" KEYS TO UNLOCK THE METERING COMPARTMENT'S DOORS.

REVERSE SEQUENCE TO RESTORE SERVICE.

Association of Professional Engineers & Geoscientists of Saskatchewan
CERTIFICATE OF AUTHORIZATION
 Shermco Industries Canada Inc. dba Magna Electric Corporation
 Number 29927
 Permission to Consult held by:
 Discipline Sk. Reg. No. Signature
 ELECTRICAL 35017 *[Signature]*

ISSUED FOR CONSTRUCTION

NO.	DRAWING REFERENCES	REV	REVISION DESCRIPTION	DRAWN	DATE	CHKD	APPD	CLIENT
B		1	ISSUED FOR CONSTRUCTION	DL	04/02/2013	TD		
1			FIELD CHANGES	HW	29/06/2020	BT	SM	



NOTICE
 This document contains information that is the property of Magna Electric Corporation (MEC). All original drawings, documents and reports are issued in confidence that the client will not use or permit the use of the information contained therein to be copied, reproduced or disclosed to others without the written consent of MEC. MEC accepts no liability for unauthorized use.



BY	DATE	DESIGNED	DATE
EJP	11/06/2012	TD	11/06/2012
TD	11/06/2012	CLIENT APPD.	
SCALE	PROJECT NO.	NTS	20-T262R-1082

CLIENT	TITLE	DWG. NO.
TCPL	KEYSTONE XL PIPELINE-PIAPOT PUMP STATION MV METERING CABINET THREE LINE DIAGRAM	T262R-050-001-03



Document Title: Keystone XL Pipeline-Piapot Pump Station MV

Metering Cabinet Wiring Diagram

Document Number: 25472-101-V2A-EMM0-0005

Revision Number: 1

PO Number: 4500249594

Material Requisition Number: 07, BI

Applicable Tag#: 127-PIAPT-B0-JIT-01



Shermco Industries
 1033 Kearns Cres.
 Regina, SK
 Canada, S4K 0A2
 (306) 949-8131

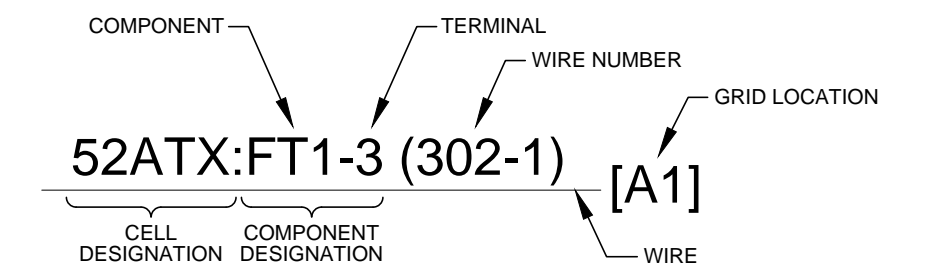
Supplier Rev.	Rev Date DD-MMM-YYYY	Reason for Issue	Supplier Name
0	15-Jun-2020	First Issue with Referbishment Update	Shermco Industries
1	30-June-2020	Fixed Cover Page	Shermco Industries

LEGEND

WIRE NUMBERING

- 100-199 - POWER CIRCUITS (DC)
- 200-299 - CT CIRCUITS
- 300-399 - PT CIRCUITS
- 400-499 - TRIP/CONTROL CIRCUITS
- 500-599 - INDICATION CIRCUITS
- 600-699 - POWER CIRCUITS (AC)
- 700-799 - COMMUNICATIONS

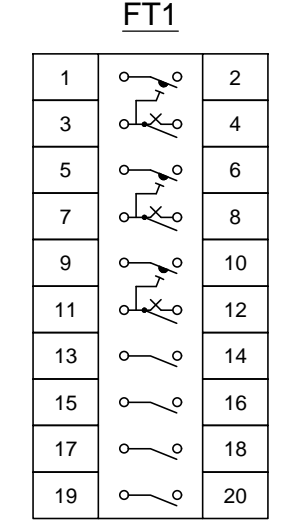
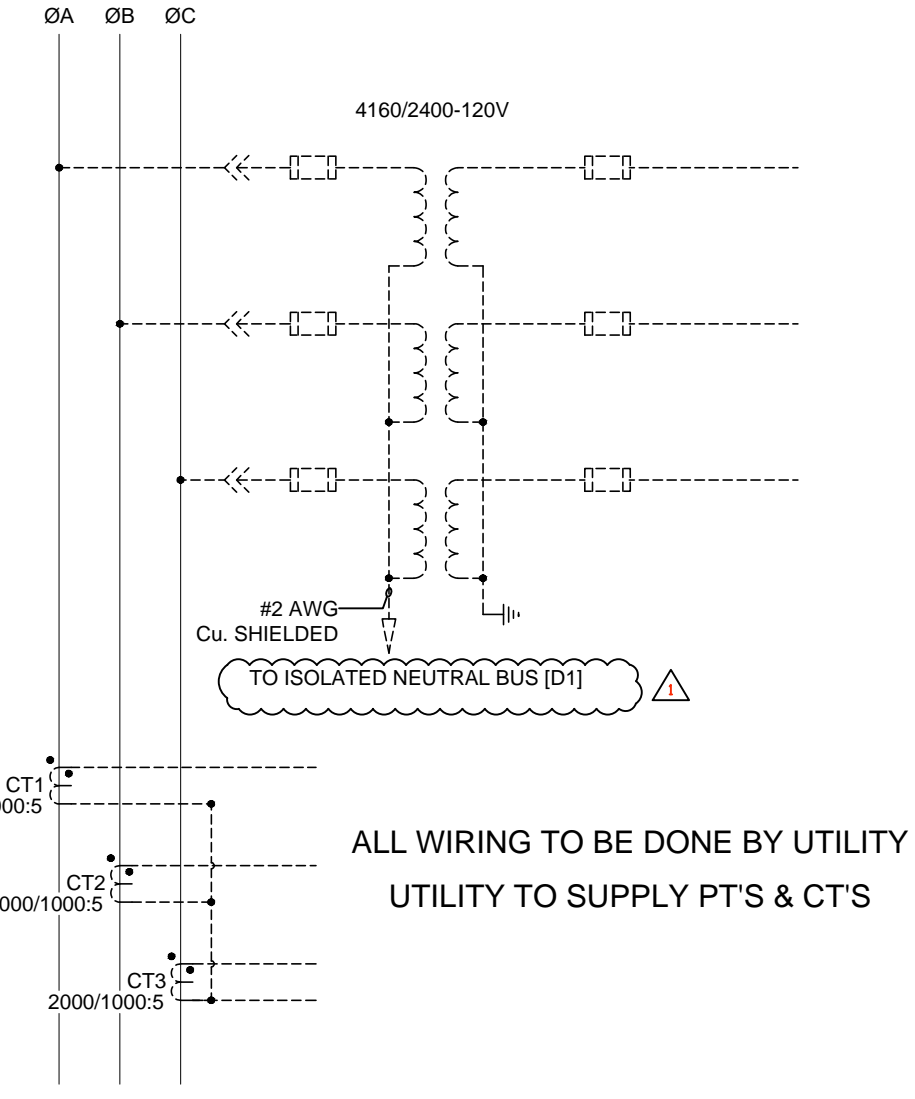
EXAMPLE WIRE LABEL



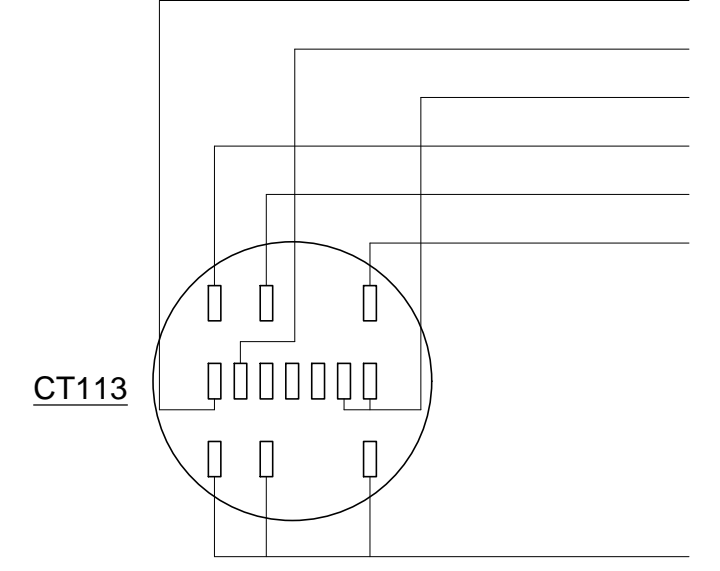
NOTES

1. INSTALL MINIMUM 40 CM ABOVE THE BOTTOM PANEL.

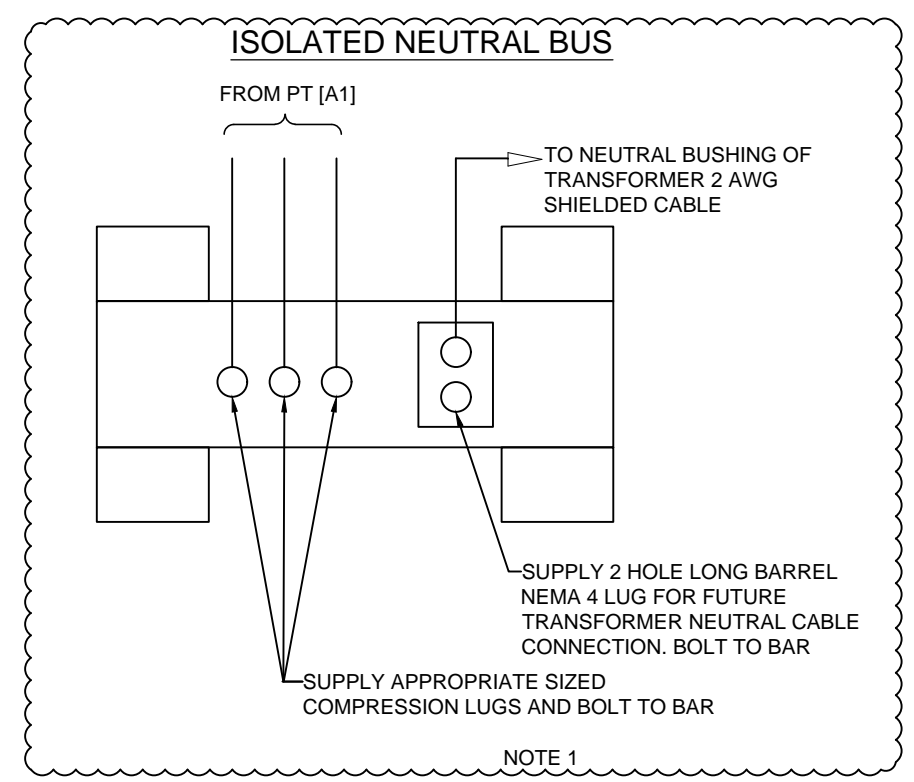
ISSUED FOR APPROVAL



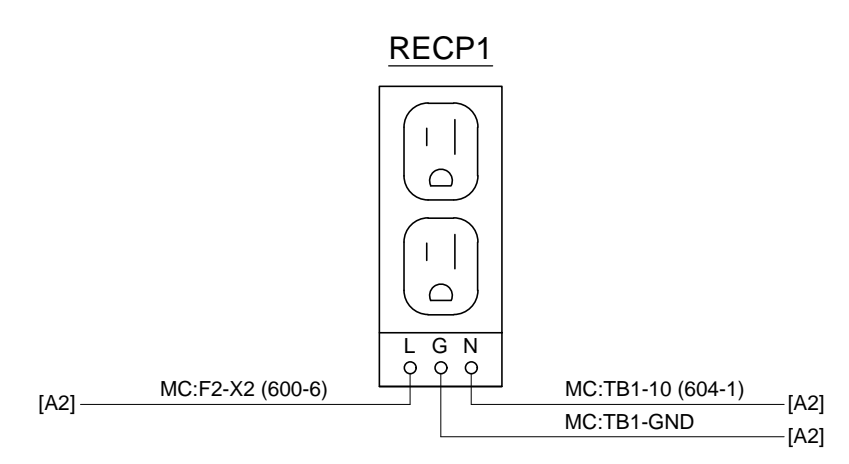
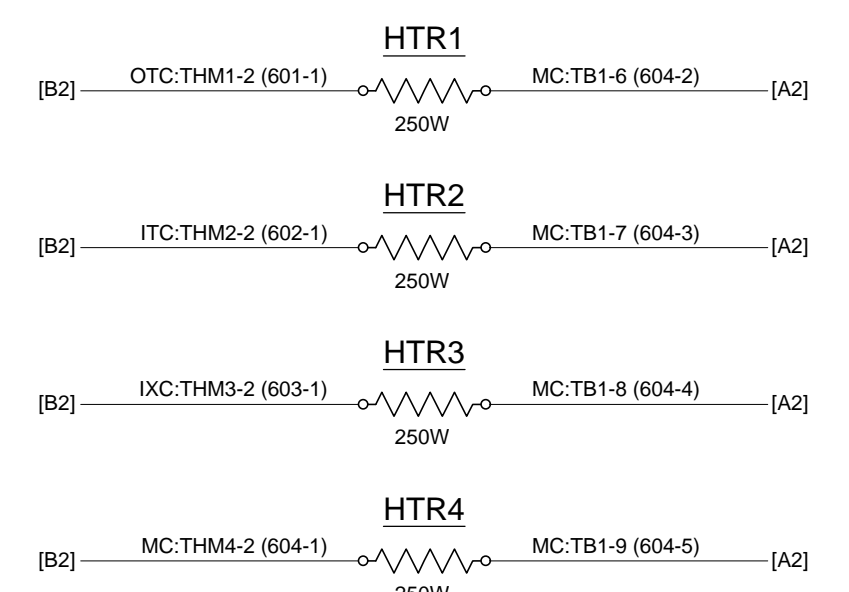
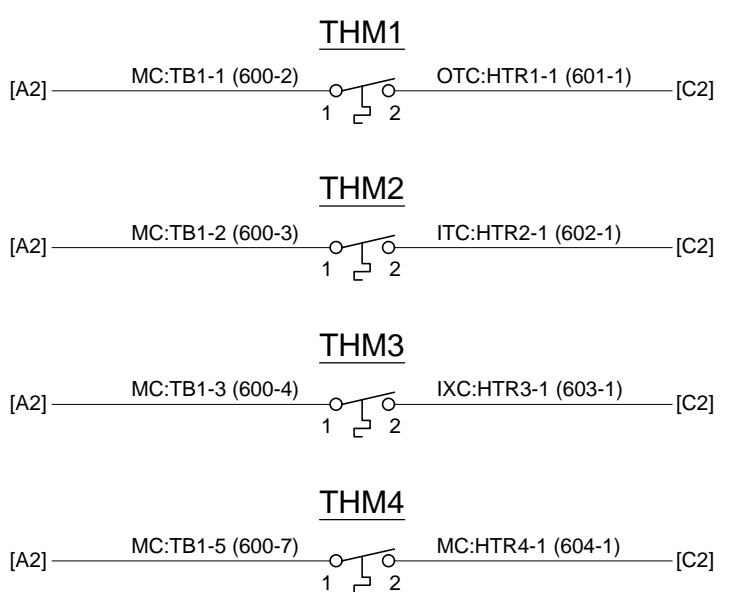
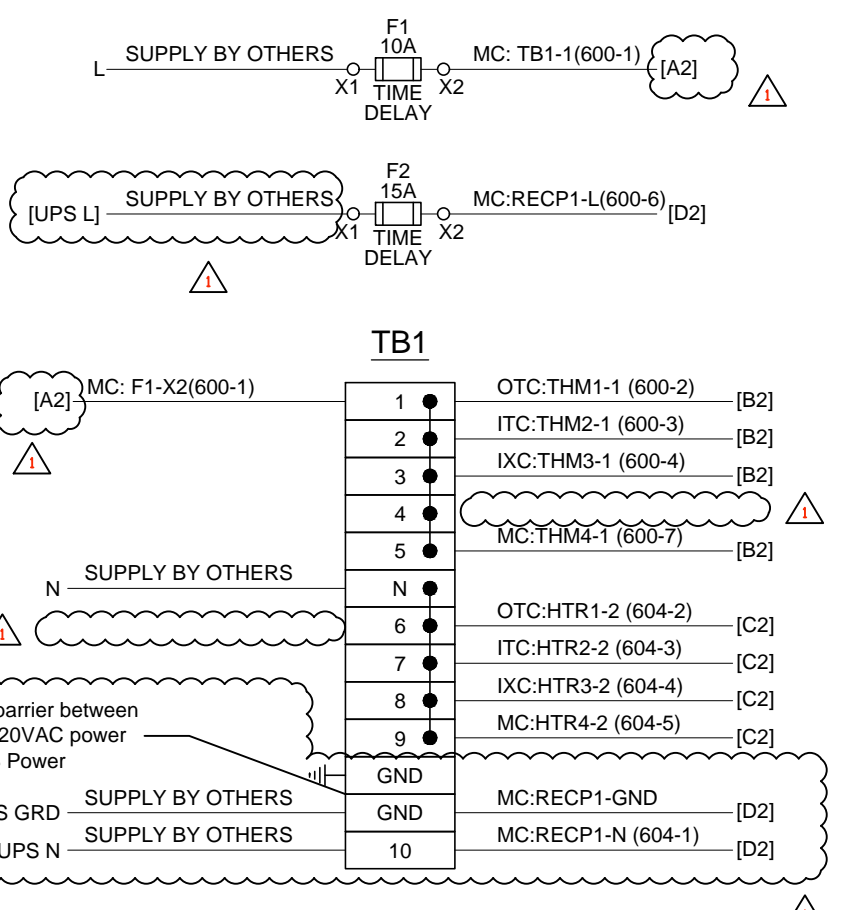
ALL WIRING TO BE DONE BY UTILITY
UTILITY TO SUPPLY FT BLOCK



ALL WIRING TO BE DONE BY UTILITY
UTILITY TO SUPPLY METER



NOTE 1



Association of Professional Engineers & Geoscientists
of Saskatchewan
CERTIFICATE OF AUTHORIZATION
Shermo Industries Canada Inc. dba Magna Electric Corporation
Number 29927
Permission to Consult held by:
Discipline Sk. Reg. No. Signature
ELECTRICAL 35017

NOTICE
This document contains information that is the property of Magna Electric Corporation (MEC). All original drawings, documents and reports are issued in confidence that the client will not use or permit the use of the information contained therein to be copied, reproduced or disclosed to others without the written consent of MEC. MEC accepts no liability for unauthorized use.



BY	DESIGNED
EJP	TD
DATE	11/06/2012
CHECKED	APPROVED
TD	CLIENT APPD.
11/06/2012	
SCALE	NTS
PROJECT NO.	20-T262R-1082

CLIENT	TCPL
TITLE	KEYSTONE XL PIPELINE-PIAPOT PUMP STATION MV METERING CABINET WIRING DIAGRAM
DWG. NO.	T262R-070-002-03

A1

B1

C1

D1

E1

A2

B2

C2

D2

E2

A3

B3

C3

D3

E3

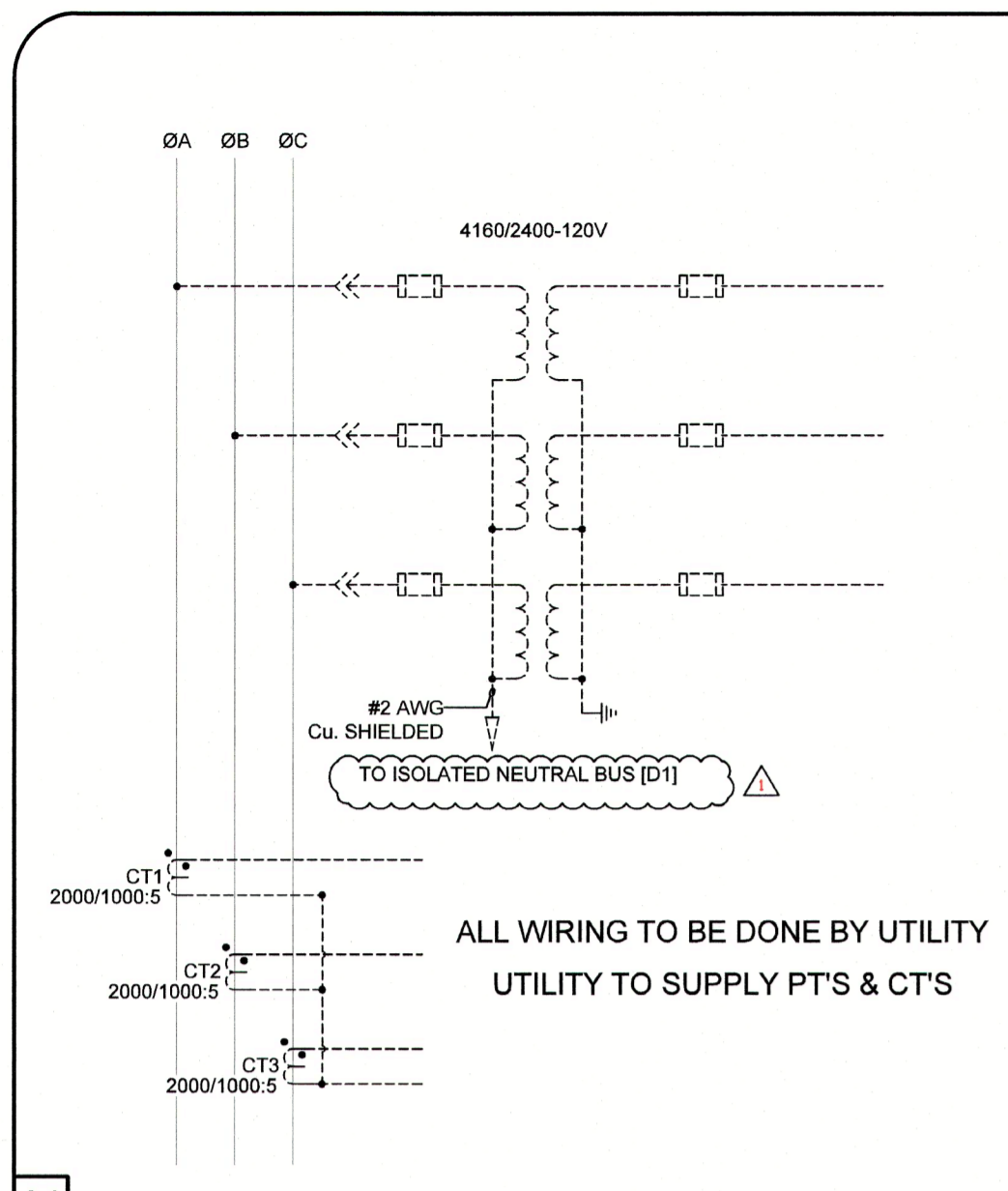
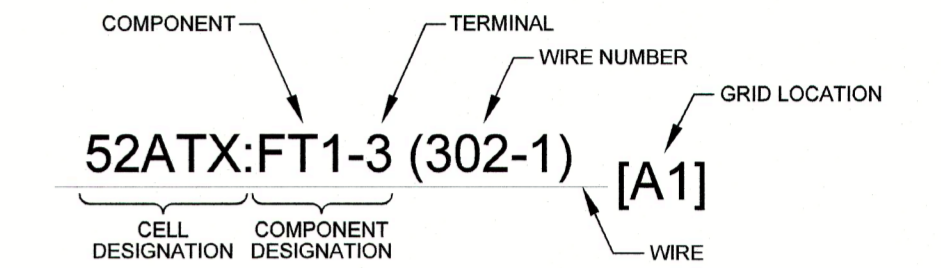
NO.	DRAWING REFERENCES	REV	REVISION DESCRIPTION	DRAWN	DATE	CHKD	APPD	CLIENT
		1	FIELD CHANGE	HW	15/06/2020	BT	SM	

LEGEND

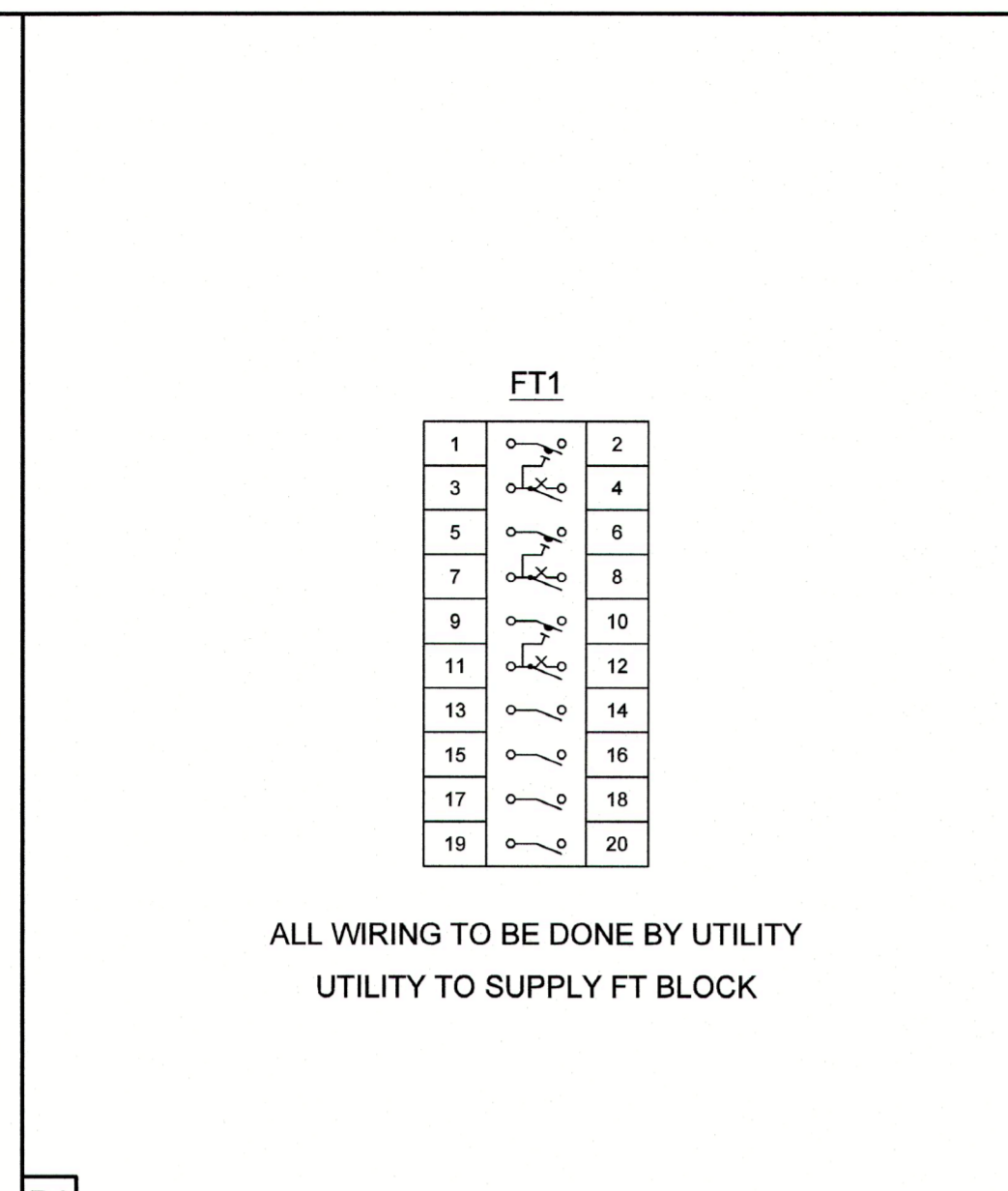
WIRE NUMBERING

- 100-199 - POWER CIRCUITS (DC)
- 200-299 - CT CIRCUITS
- 300-399 - PT CIRCUITS
- 400-499 - TRIP/CONTROL CIRCUITS
- 500-599 - INDICATION CIRCUITS
- 600-699 - POWER CIRCUITS (AC)
- 700-799 - COMMUNICATIONS

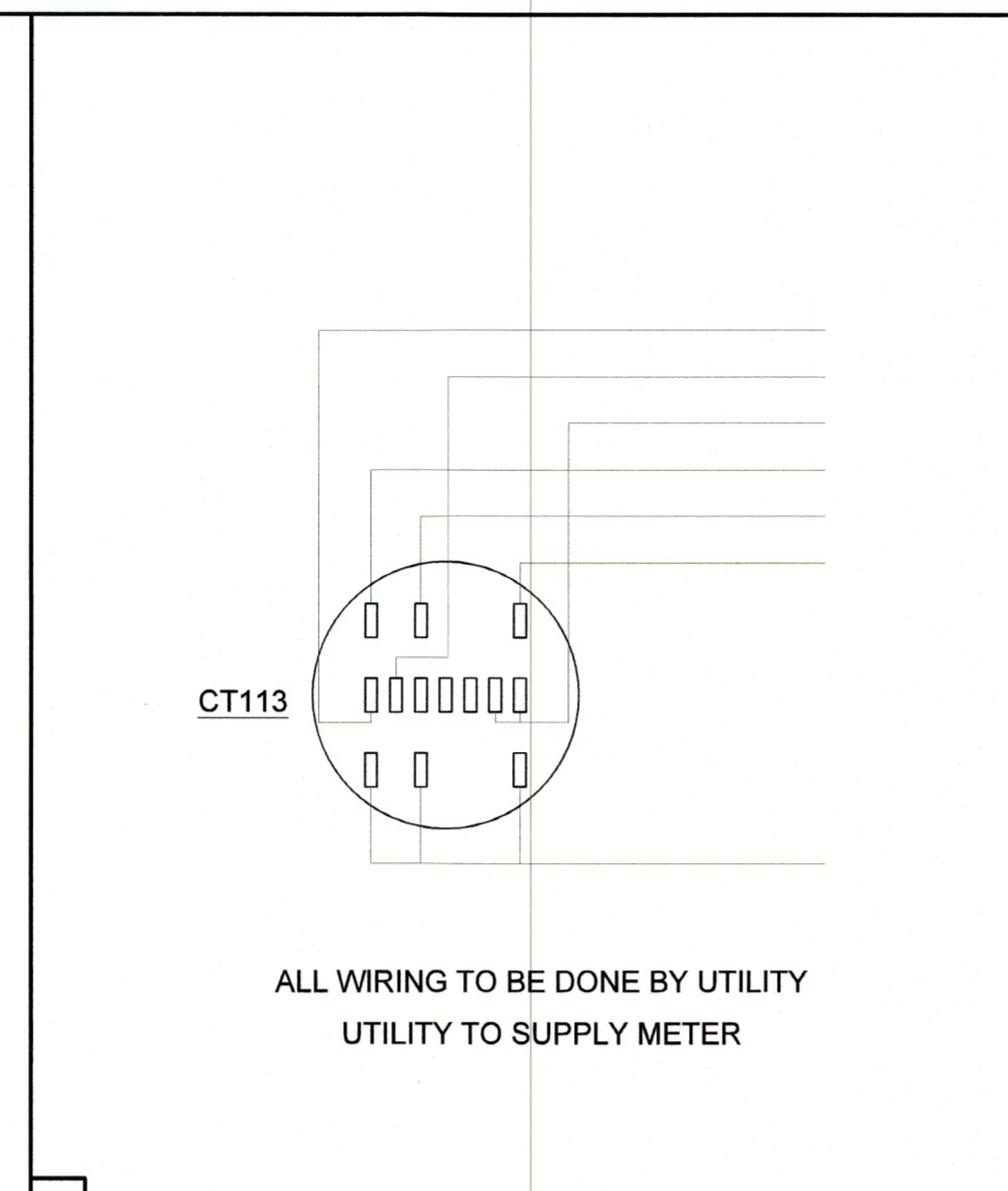
EXAMPLE WIRE LABEL



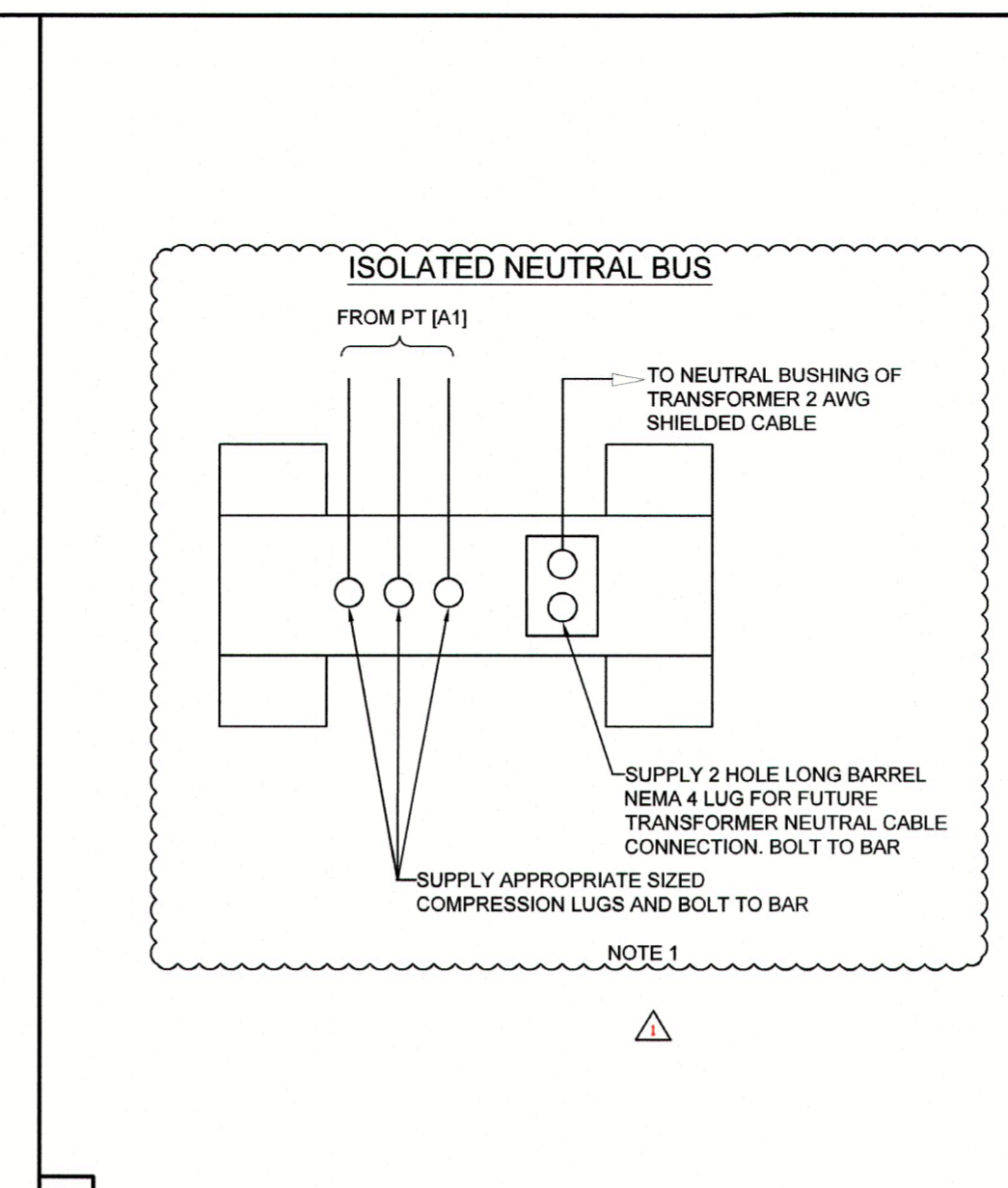
A1



B1



C1



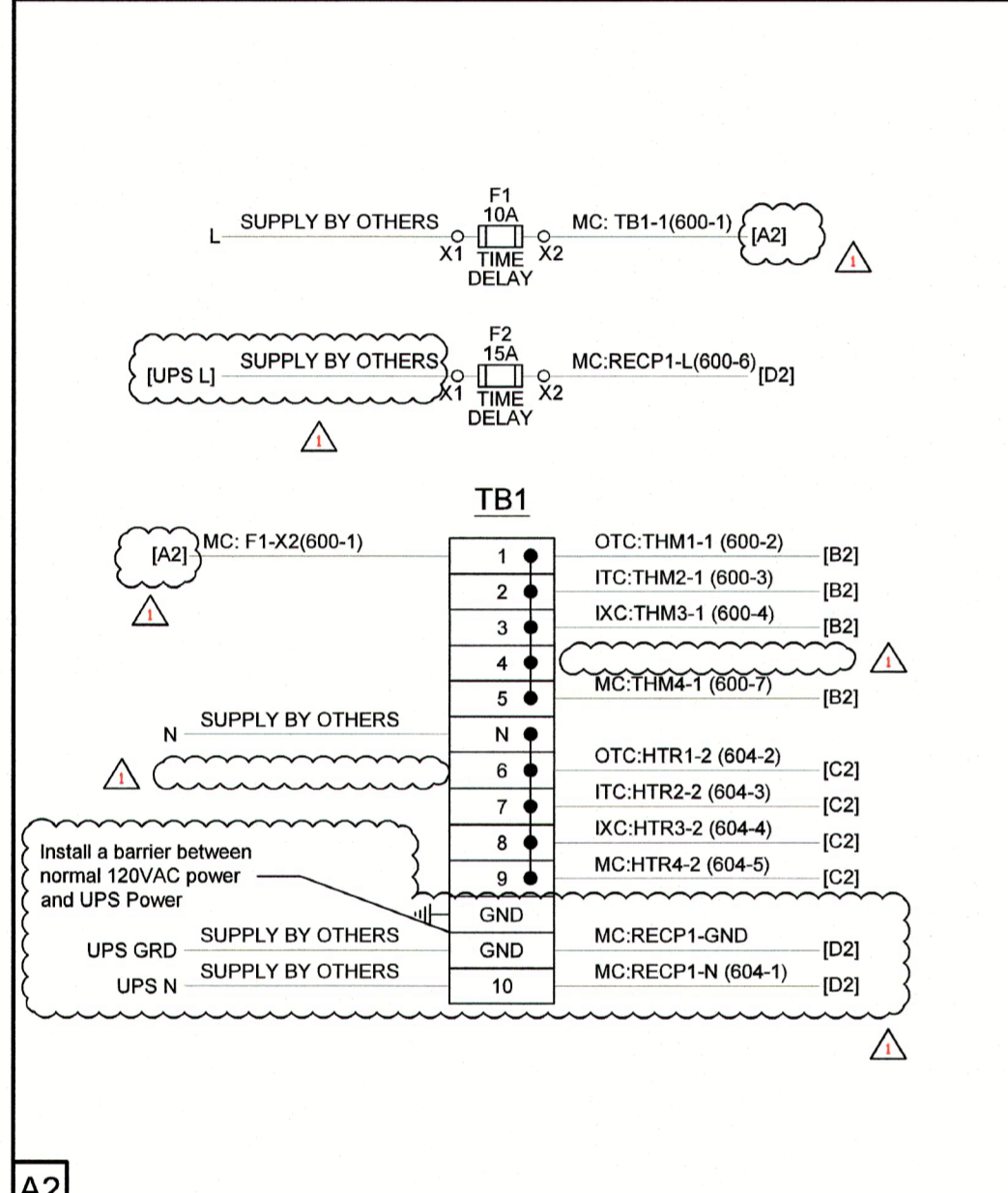
D1



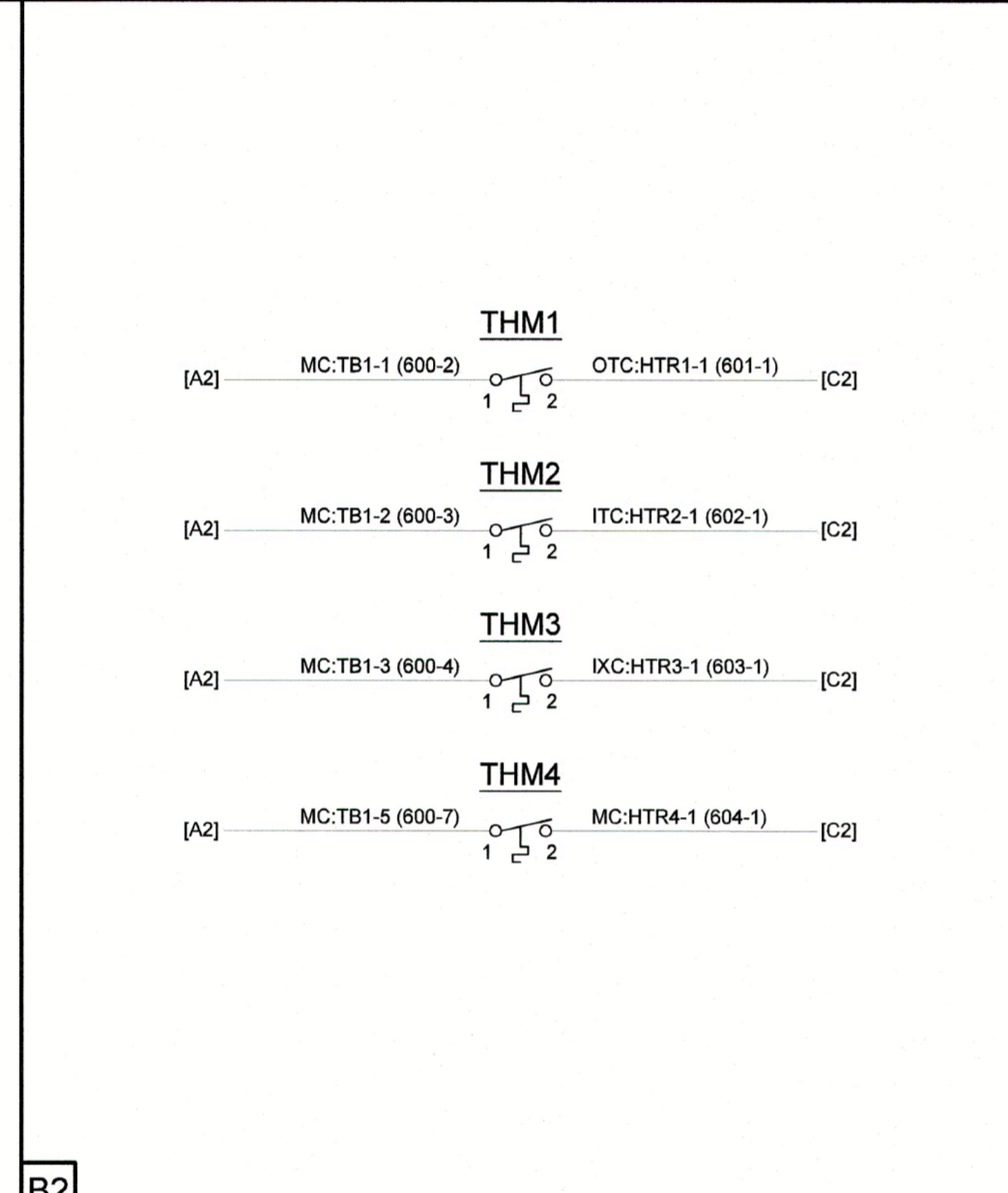
E1

NOTES

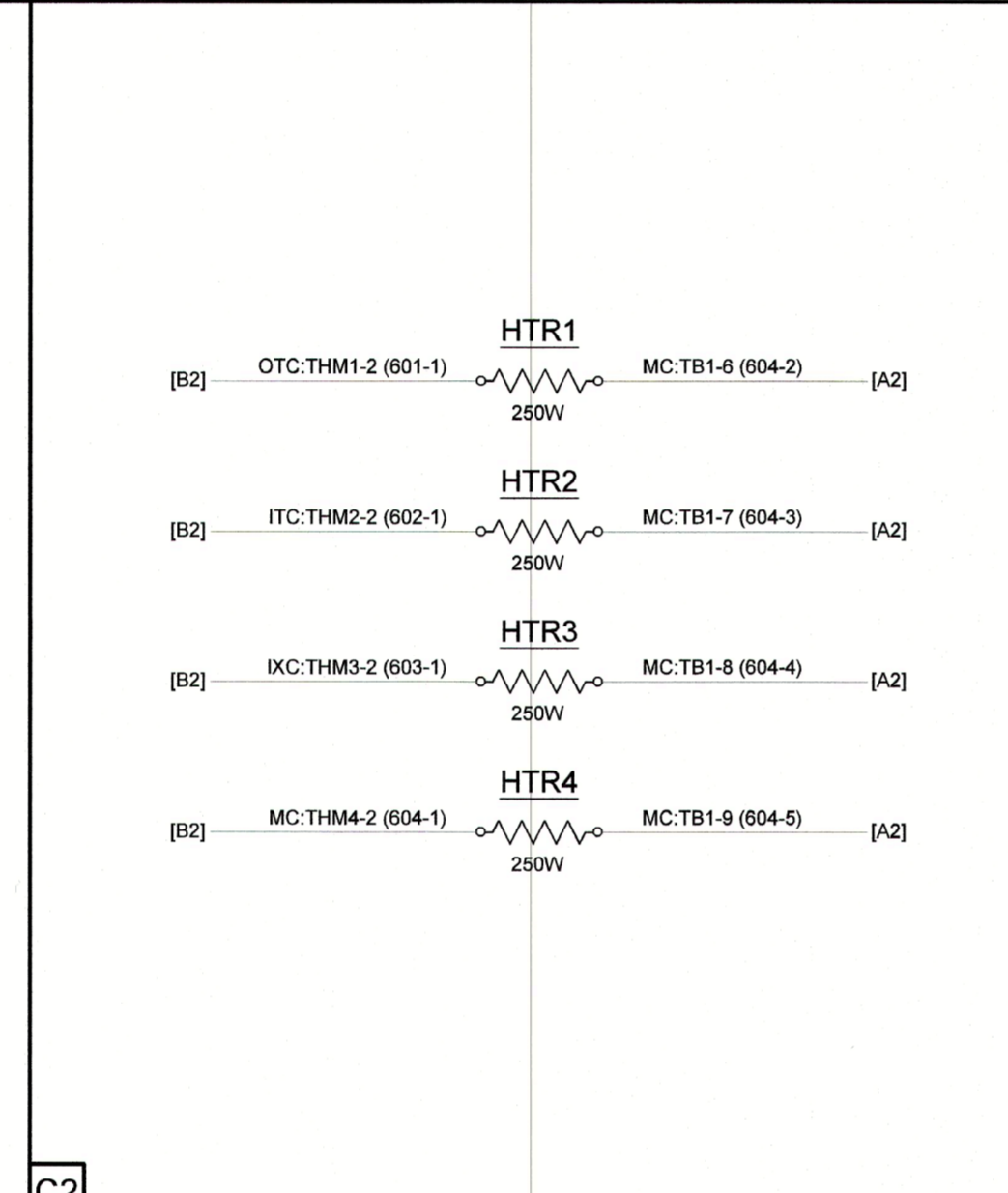
1. INSTALL MINIMUM 40 CM ABOVE THE BOTTOM PANEL



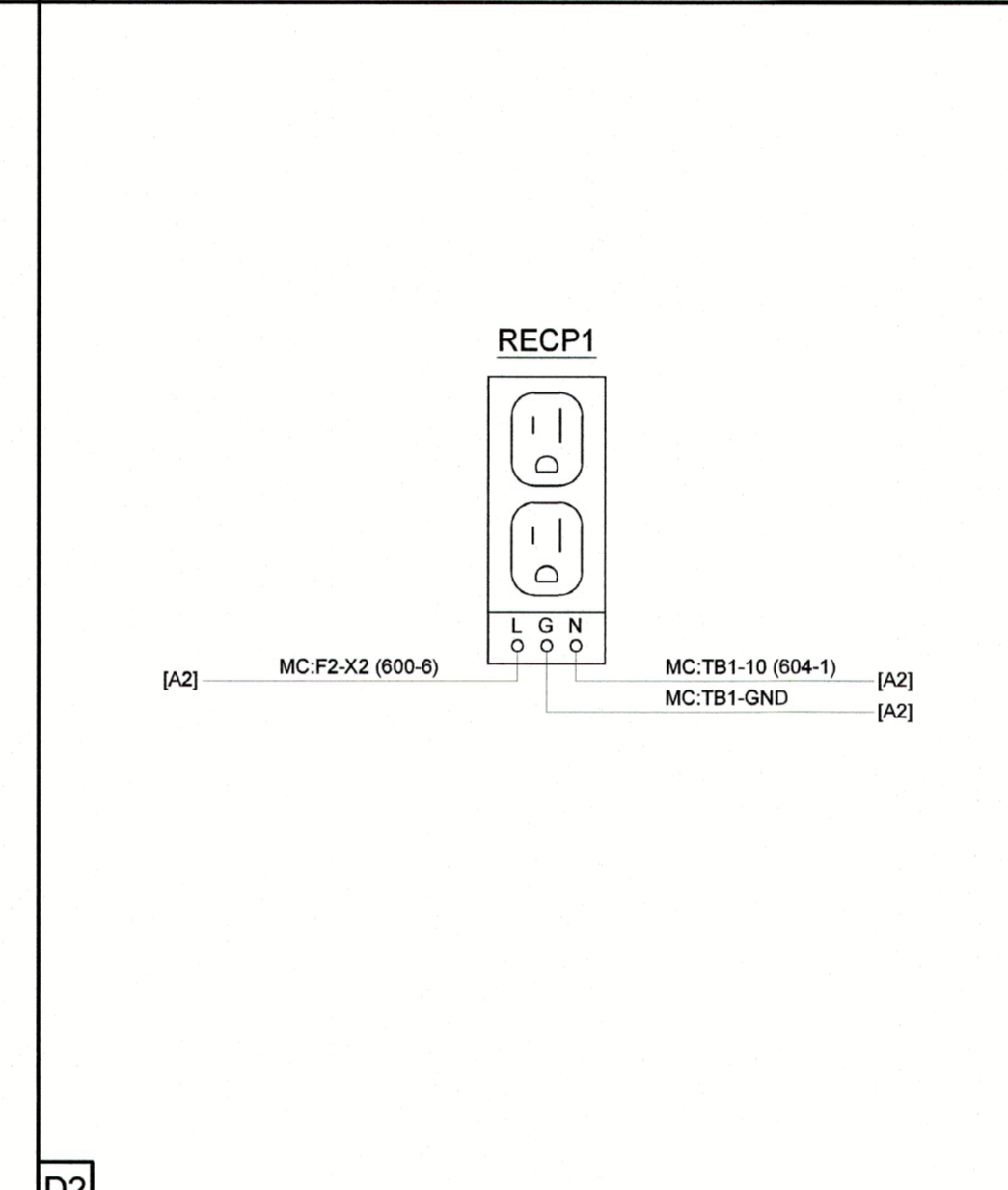
A2



B2



C2



D2



E2

Association of Professional Engineers & Geoscientists of Saskatchewan
 CERTIFICATE OF AUTHORIZATION
 Sherco Industries Canada Inc. dba Magna Electric Corporation
 Number 29927
 Permission to Consult held by:
 Discipline Sk. Reg. No. Signature
 ELECTRICAL 35017

ISSUED FOR APPROVAL

A3

NO.	DRAWING REFERENCES	REV	REVISION DESCRIPTION	DRAWN	DATE	CHKD	APPD	CLIENT
		1	FIELD CHANGE	HW	15/06/2020	BT	SM	

B3

C3

D3

E3



NOTICE
 This document contains information that is the property of Magna Electric Corporation (MEC). All original drawings, documents and reports are issued in confidence that the client will not use or permit the use of the information contained therein to be copied, reproduced or disclosed to others without the written consent of MEC. MEC accepts no liability for unauthorized use.



BY	DRAWN	DESIGNED
DATE	EJP	TD
11/06/2012	11/06/2012	
CHECKED	APPROVED	CLIENT APPD.
TD		
11/06/2012		
SCALE	NTS	
PROJECT NO.	20-T262R-1082	

CLIENT	TCPL
TITLE	KEYSTONE XL PIPELINE-PIAPOT PUMP STATION MV METERING CABINET WIRING DIAGRAM
DWG. NO.	T262R-070-002-03



Document Title: Keystone XL Pipeline MV Metering Cabinet

General Layout

Document Number: 25472-101-V2A-EMM0-W0008

Revision Number: 1

PO Number: 4500249594

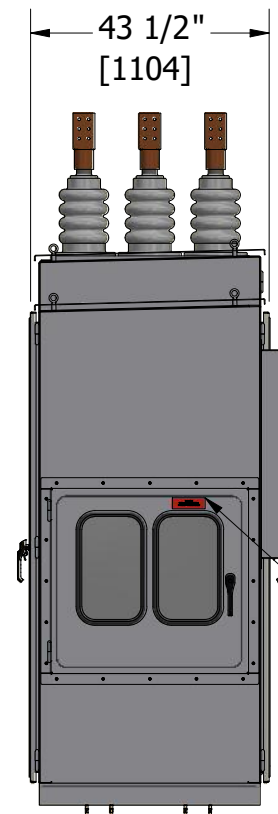
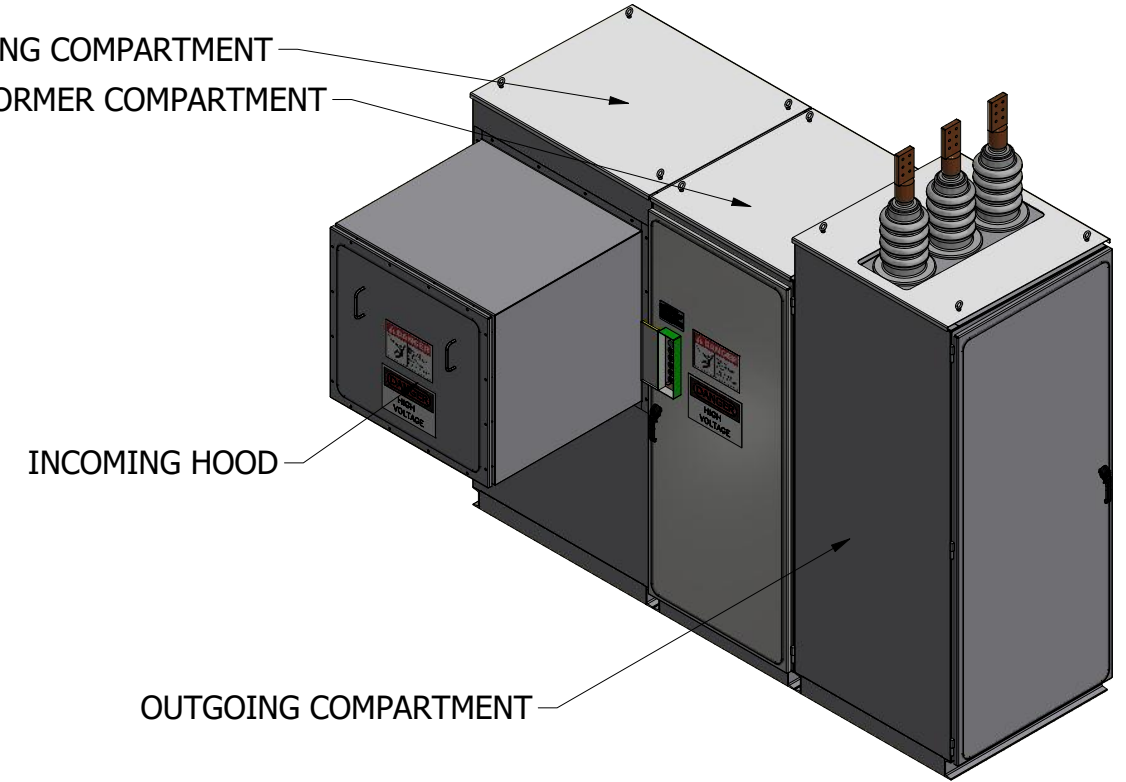
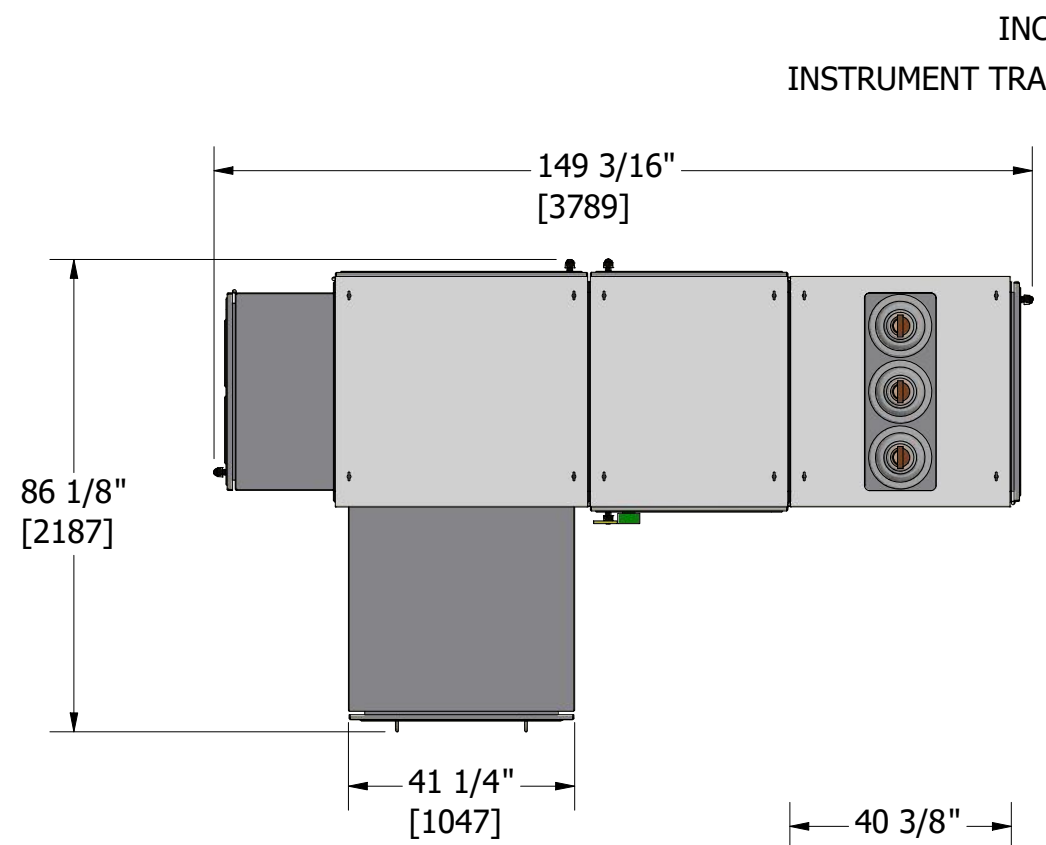
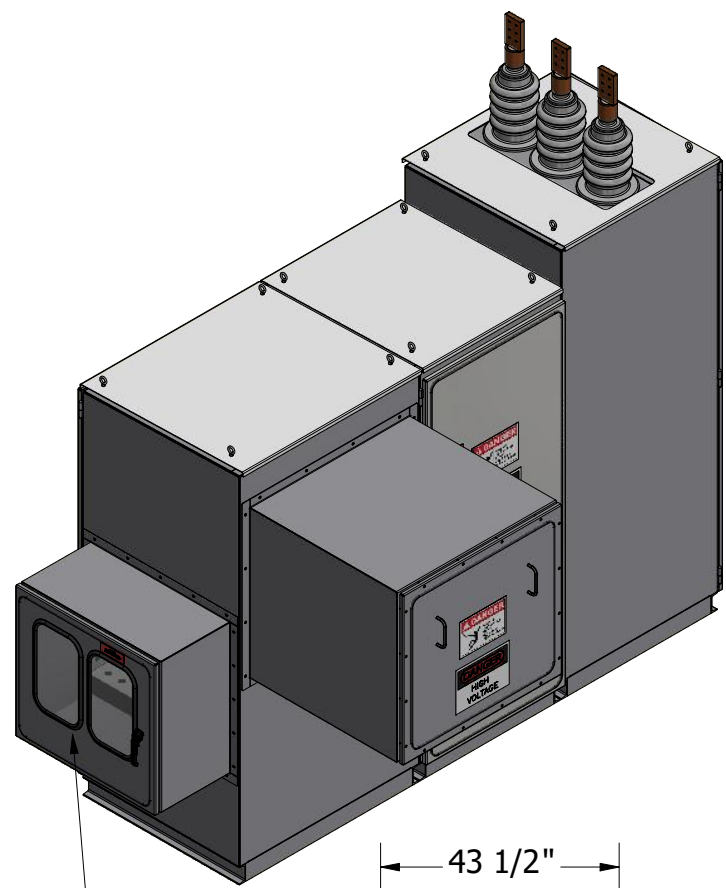
Material Requisition Number: 06, 07, & 08 EA

Applicable Tag#: 126-FXVLY-B0-JIT-01, 127-PIAPT-B0-JIT-01, 128-GRSSY-B0-JIT-01



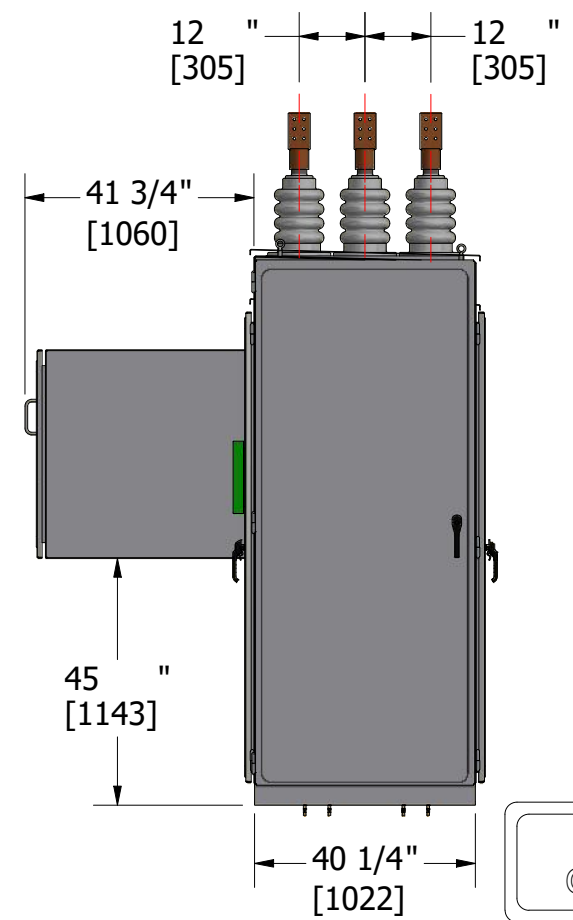
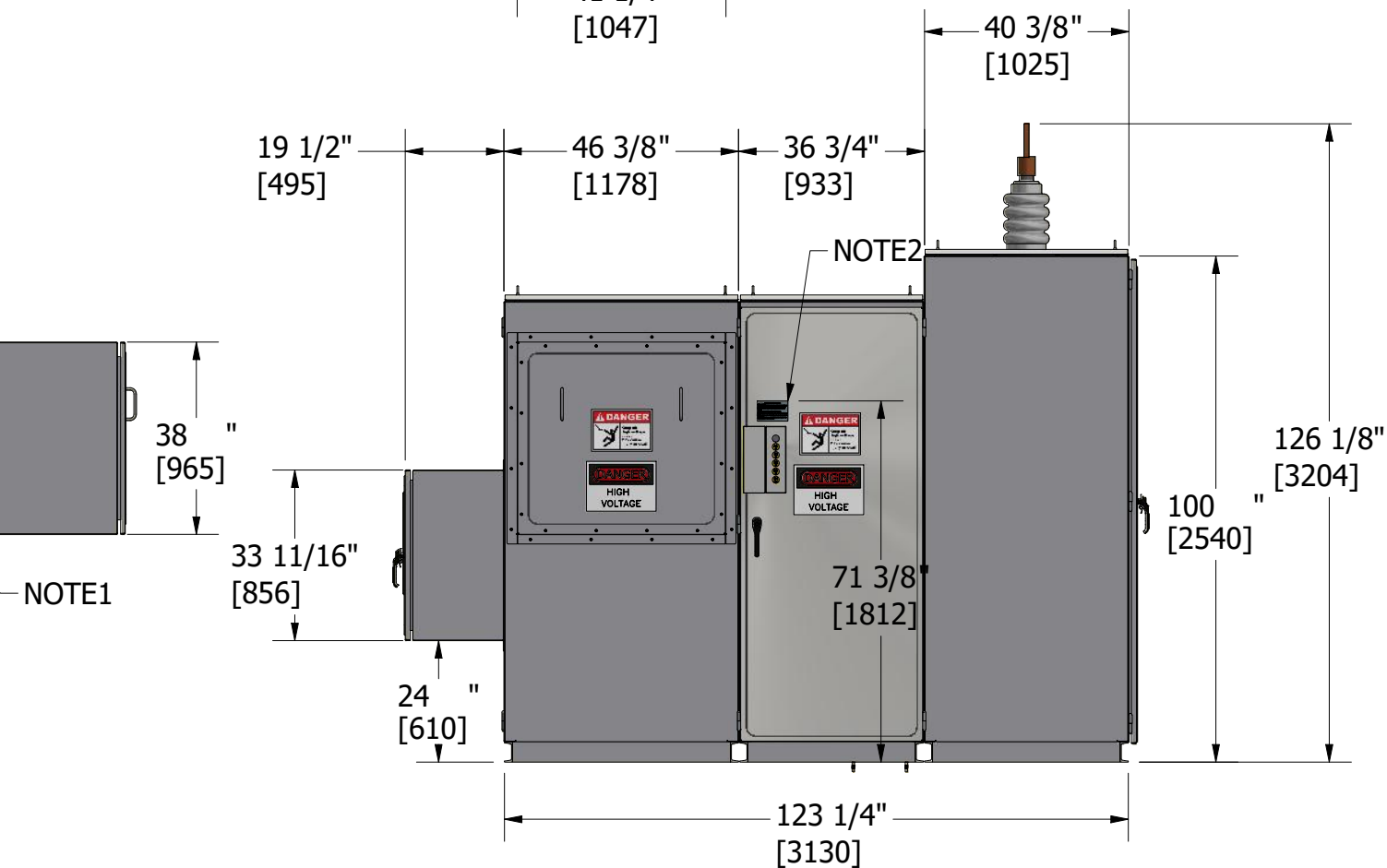
Shermco Industries
 1033 Kearns Cres.
 Regina, SK
 Canada, S4K 0A2
 (306) 949-8131

Supplier Rev.	Rev Date DD-MMM-YYYY	Reason for Issue	Supplier Name
0	22-Jun-2020	First Issue with Referbishment Update	Shermco Industries
1	04-Aug-2020	Added Placement of Lamicoid Labels on Doors	Shermco Industries



APPROX. WEIGHT:
4200 LBS

SIDE VIEW



ISSUED FOR
CONSTRUCTION

NOTES FOR REV 6:
1. 127-PIAPT-BO-JIT-01 AND 128-GRSSY-BO-JIT-01 WILL HAVE THIS LAMICOID (6"X2"):
2. LAMICOID (6"X4") WITH THE OPERATING INSTRUCTIONS FOR THE KIRK KEY INTERLOCKING SYSTEM BOTH HERE AND AT THE SF6 BREAKER.

126-FXVLY-BO-JIT-01
127-PIAPT-BO-JIT-01
128-GRSSY-BO-JIT-01



MANUFACTURE	DRAWN	DESIGNED
KS	HW	BT
	2020-08-04	2020-08-04
CHECKED	APPROVED	CLIENT APPD.
BT	BT	
APPROX. WEIGHT	N/A	
SCALE		
PROJECT NO.	20-T262-1082	

CLIENT	TRANSCANADA PIPELINE
TITLE	KEYSTONE XL PIPELINE MV METERING CABINET GENERAL LAYOUT
DWG. NO.	T262R-475-13-01

Document Title: Keystone XL Pipeline MV Metering Cabinet

General Layout – No Doors

Document Number: 25472-101-V2A-EMM0-W0009

Revision Number: 0

PO Number: 4500249594

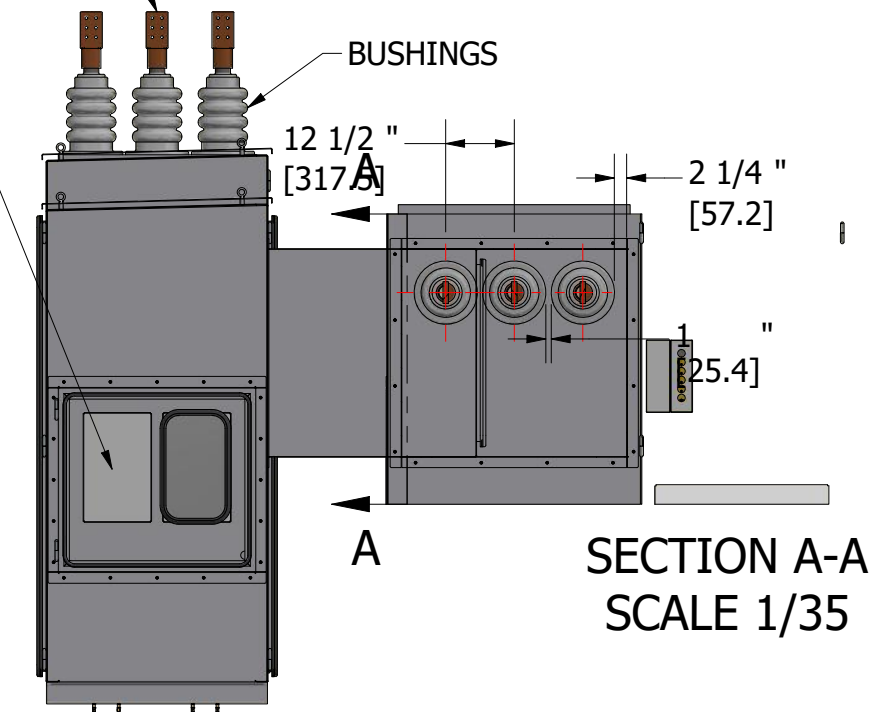
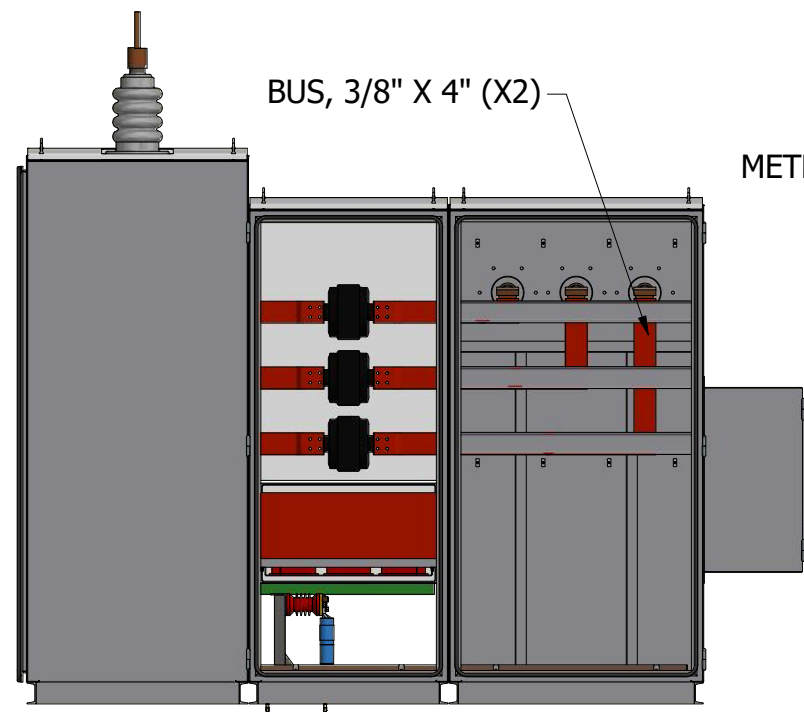
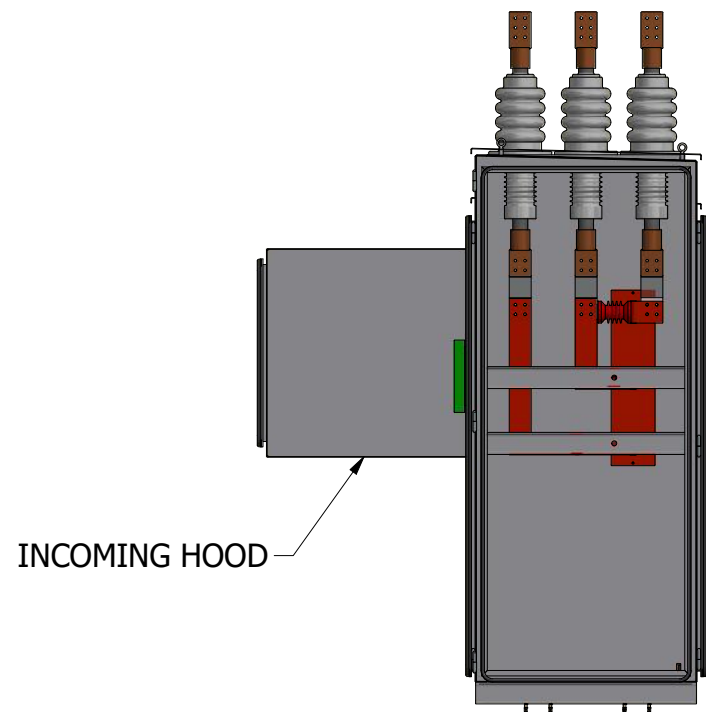
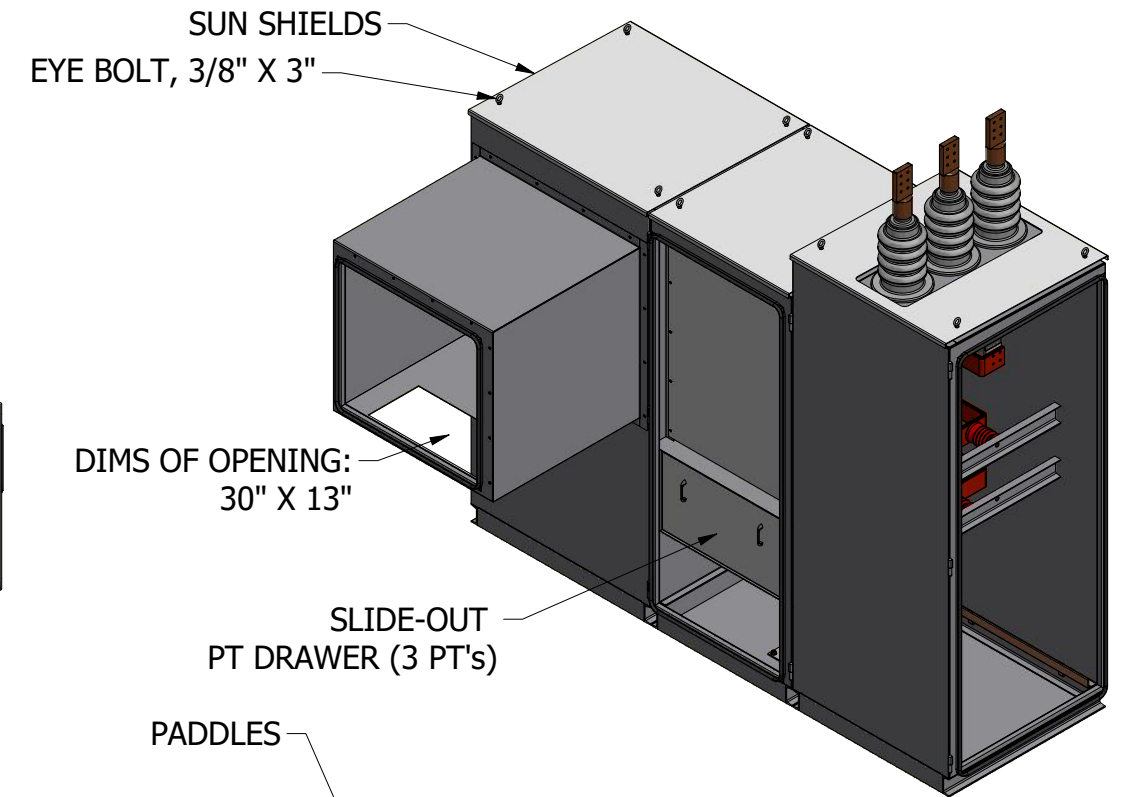
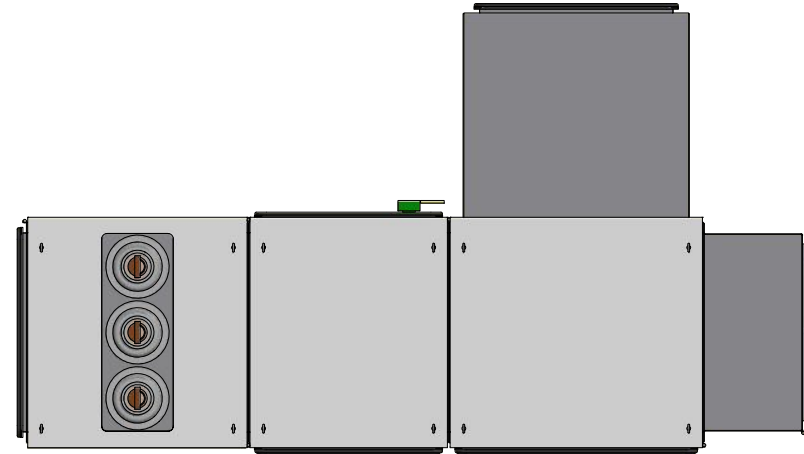
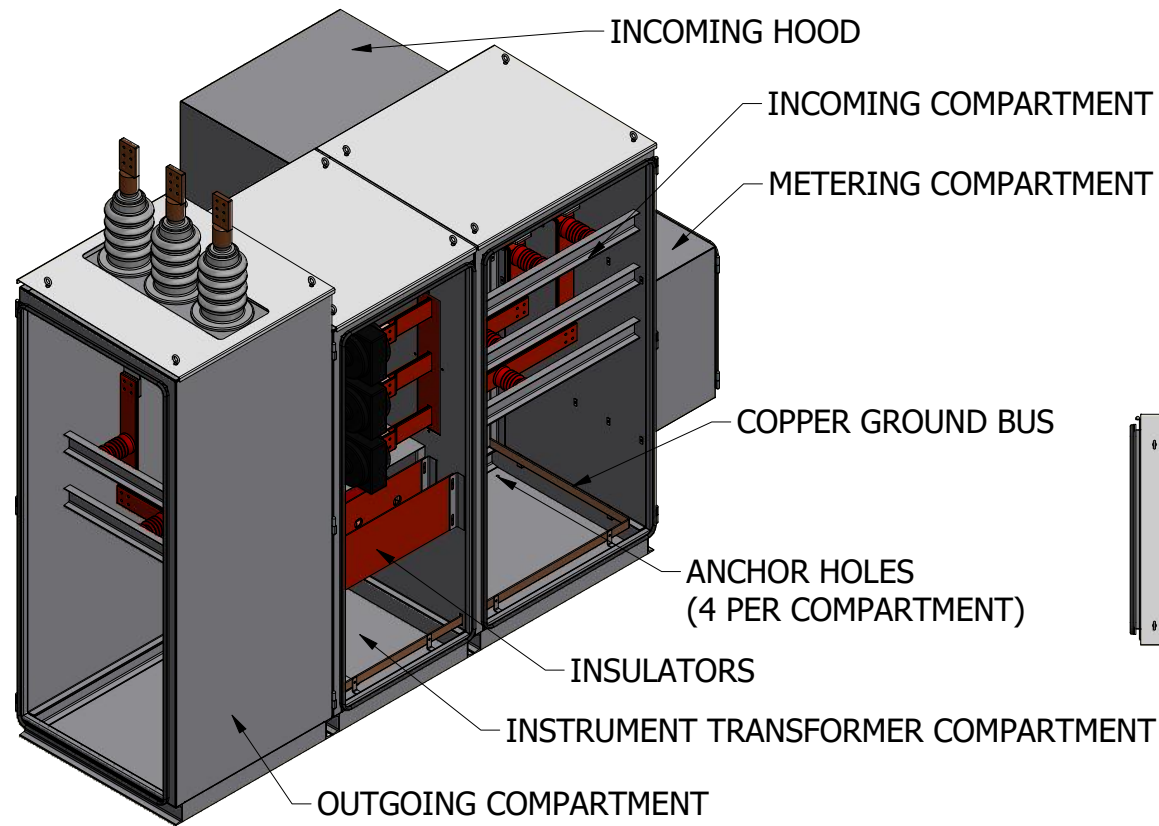
Material Requisition Number: 06, 07, & 08 EA

Applicable Tag#: 126-FXVLY-B0-JIT-01, 127-PIAPT-B0-JIT-01, 128-GRSSY-B0-JIT-01



Shermco Industries
 1033 Kearns Cres.
 Regina, SK
 Canada, S4K 0A2
 (306) 949-8131

Supplier Rev.	Rev Date DD-MMM-YYYY	Reason for Issue	Supplier Name
0	22-Jun-2020	First Issue with Referbishment Update	Shermco Industries



ISSUED FOR CONSTRUCTION

DOORS AND COVERS REMOVED FOR CLARITY

126-FXVLY-B0-JIT-01
127-PIAPT-B0-JIT-01
128-GRSSY-B0-JIT-01



MANUFACTURE	DRAWN	DESIGNED
KS	HW	BT
	2020-06-08	2020-06-08
CHECKED	APPROVED	CLIENT APPD.
BT	BT	
APPROX. WEIGHT	N/A	
SCALE		
PROJECT NO.	20-T262-1082	

CLIENT	TRANSCANADA PIPELINE
TITLE	KEYSTONE XL PIPELINE MV METERING CABINET GENERAL LAYOUT - NO DOORS
DWG. NO.	T262R-475-13-02

REV 3

Document Title: Keystone XL Pipeline MV Metering Cabinet

Footprint Layout

Document Number: 25472-101-V2A-EMM0-W0010

Revision Number: 0

PO Number: 4500249594

Material Requisition Number: 06, 07, & 08 EA

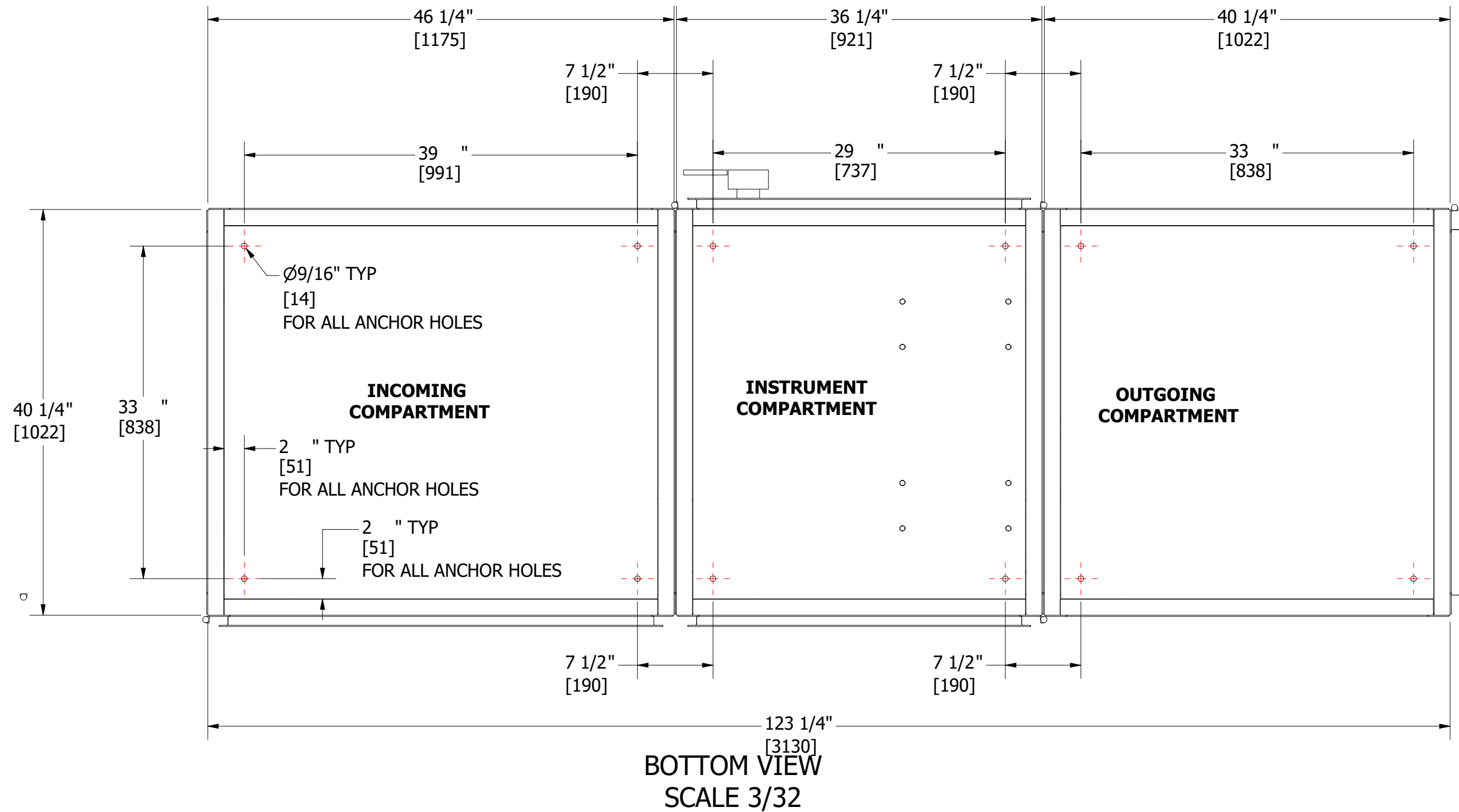
Applicable Tag#: 126-FXVLY-B0-JIT-01, 127-PIAPT-B0-JIT-01, 128-GRSSY-B0-JIT-01




Shermco Industries
1033 Kearns Cres.
Regina, SK
Canada, S4K 0A2
(306) 949-8131

Supplier Rev.	Rev Date DD-MMM-YYYY	Reason for Issue	Supplier Name
0	22-Jun-2020	First Issue with Referbishment Update	Shermco Industries

NOTE:
ALL OTHER COMPONENTS HIDDEN
TO ONLY SHOW FOOTPRINT



	MANUFACTURE	DRAWN	DESIGNED	CLIENT	TRANSCANADA PIPELINE
	KS	HW	BT		
		2020-06-08	2020-06-08		
CHECKED	APPROVED	CLIENT APPD.	TITLE	KEYSTONE XL PIPELINE MV METERING CABINET FOOTPRINT LAYOUT	
BT	BT		DWG. NO.	T262R-475-13-03	
APPROX. WEIGHT	N/A			REV	△
SCALE					
PROJECT NO.	20-T262-1082				

Document Title: Keystone XL Pipeline MV Metering Cabinet

General Layout – Neutral Bus

Document Number: 25472-101-V2A-EMM0-W0011

Revision Number: 0

PO Number: 4500249594

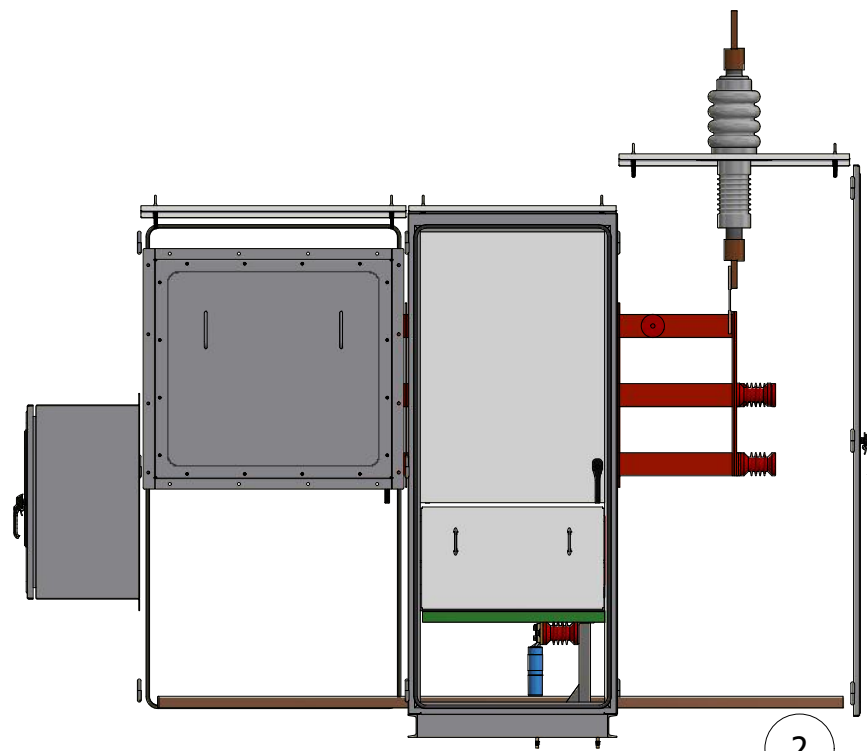
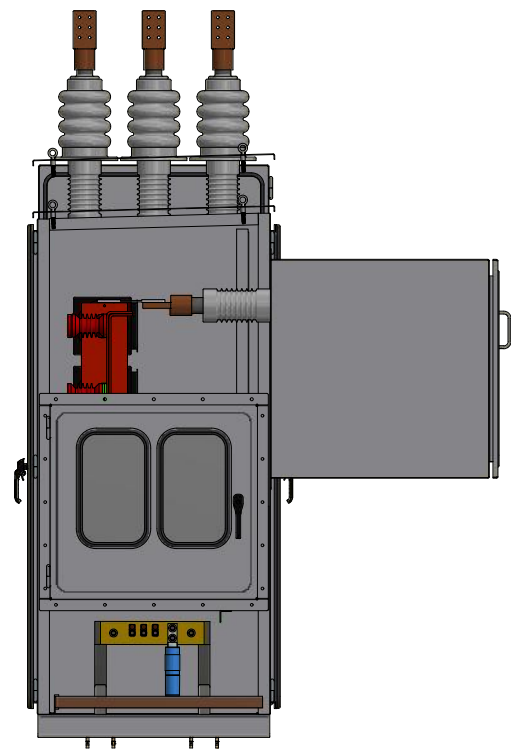
Material Requisition Number: 06, 07, & 08 EA

Applicable Tag#: 126-FXVLY-B0-JIT-01, 127-PIAPT-B0-JIT-01, 128-GRSSY-B0-JIT-01



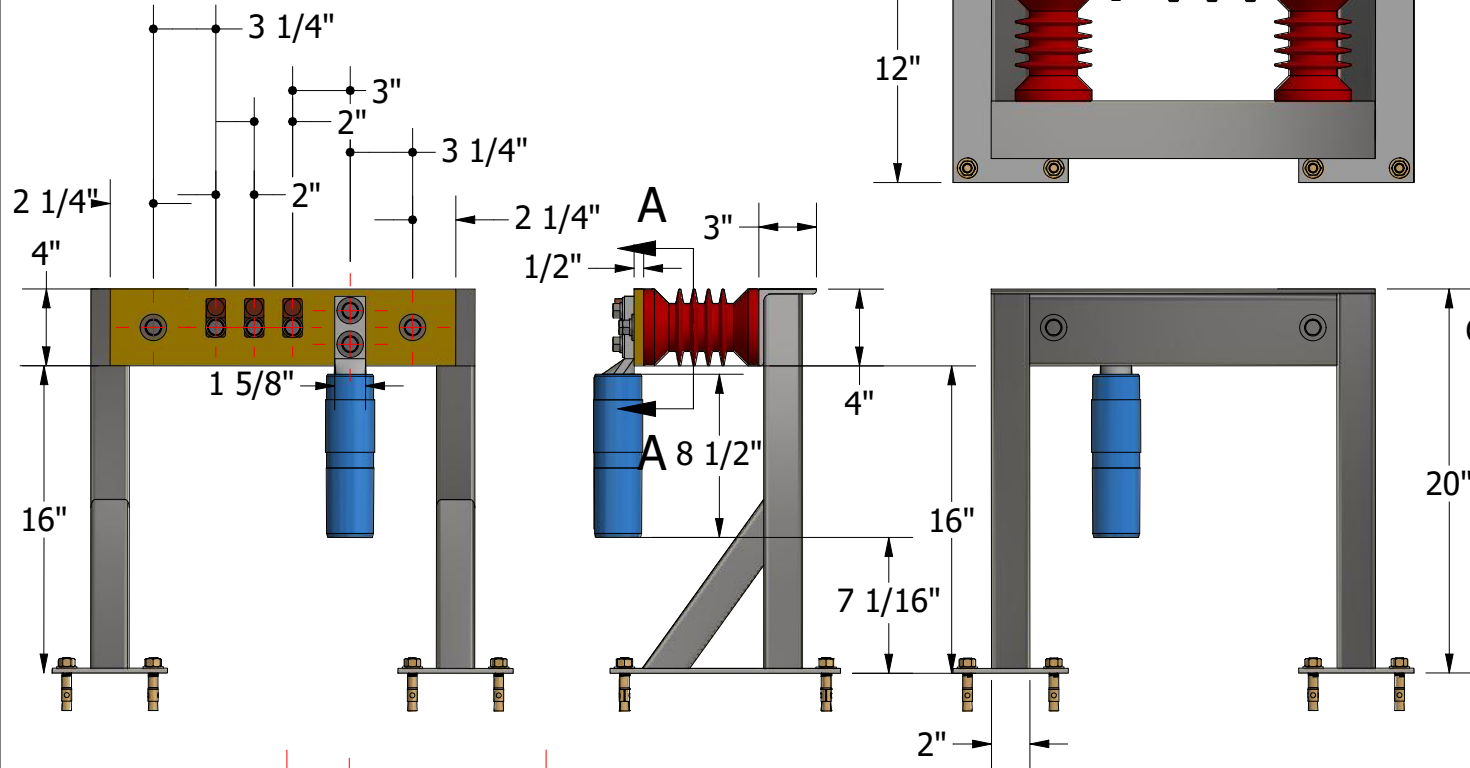
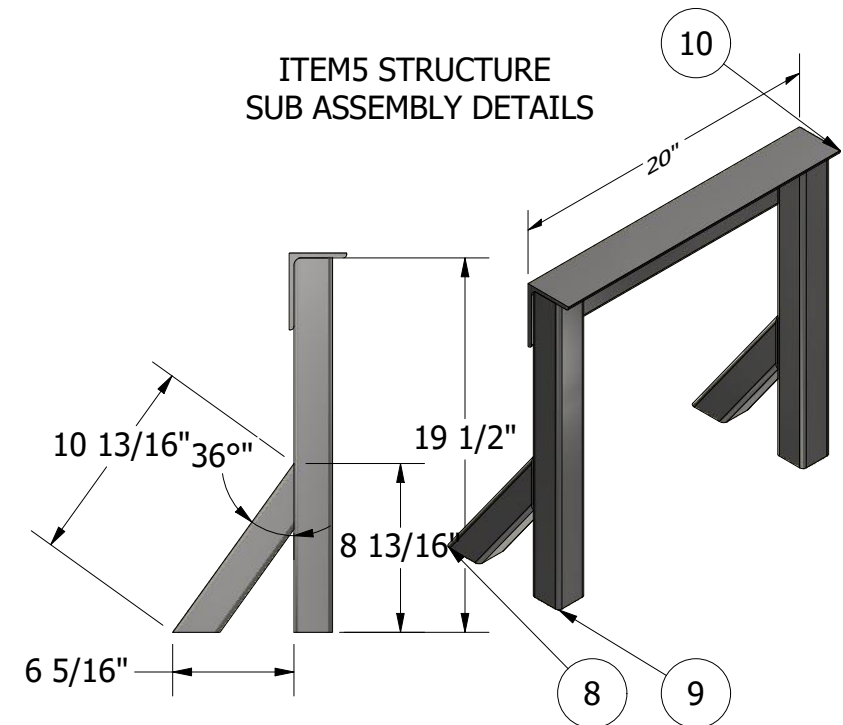
Shermco Industries
 1033 Kearns Cres.
 Regina, SK
 Canada, S4K 0A2
 (306) 949-8131

Supplier Rev.	Rev Date DD-MMM-YYYY	Reason for Issue	Supplier Name
0	22-Jun-2020	First Issue with Referbishment Update	Shermco Industries



PARTS LIST			
ITEM	QTY	DESCRIPTION	CUT_LENGTH
1	2	INSULATOR 105-215-01(A1A1)	
2	1	BUS BAR, 1/2" X 4"	20"
3	3	LUG	
4	1	LUG	
5	1	STRUCTURE SUPPORT(DETAILED SEE ITEM 8,9,10)	
6	1	3M STRESS CONE	
7	2	FOOT PLATE 0.25INCH	

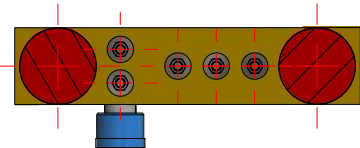
ITEM5 STRUCTURE SUB ASSEMBLY DETAILS



ONESIDE BOLT

NOTE:
 1 ALL BOLTS 0.5 INCH; CUTTING HOLES AS 9/16" DIAMETER.
 2 THE LUG HOLES ON BUS DRILL WHEN PARTS COME.

PARTS LIST		
ITEM	QTY	DESCRIPTION
8	21.65	Square tube 6 in 2X2X0.25
9	39.00	Square tube 0 in 2X2X0.25
10	20.00	Angle Steel 0 in L4X3X0.25



SECTION A-A
SCALE 0.1



MANUFACTURE	DRAWN	DESIGNED
KS	HW	BT
	2020-06-08	2020-06-08
CHECKED	APPROVED	CLIENT APPD.
BT	BT	
APPROX. WEIGHT	N/A	
SCALE		
PROJECT NO.	20-T262-1082	

CLIENT	TRANSCANADA PIPELINE
TITLE	KEYSTONE XL PIPELINE MV METERING CABINET GENERAL LAYOUT - NEUTRAL BUS
DWG. NO.	T262R-475-13-04



Document Title: Keystone XL Pipeline Typical MV Metering Cabinet

Bill of Materials

Document Number: 25472-101-V2A-EMM0-W0012

Revision Number: 0

PO Number: 4500249594

Material Requisition Number: 06, 07, & 08 EB

Applicable Tag#: 126-FXVLY-B0-JIT-01, 127-PIAPT-B0-JIT-01, 128-GRSSY-B0-JIT-01



Shermco Industries
 1033 Kearns Cres.
 Regina, SK
 Canada, S4K 0A2
 (306) 949-8131

Supplier Rev.	Rev Date DD-MMM-YYYY	Reason for Issue	Supplier Name
0	22-Jun-2020	First Issue with Referbishment Update	Shermco Industries



Keystone XL Pipeline Typical MV Metering Bill of Material

TC Energy

Shermco Doc No: T262R-475-13-05

TC Energy Doc No: 25472-101-V2A-EMMO-W0012

PO No: 4500249594

Date: June.22/2020

MATERIAL			
ITEM NO.	DESCRIPTION/MANUFACTURE	CATALOG/MODEL NUMBER	QTY
1	Custom made enclosures – MEC Fab Shop	MEC-MVMC-12	1
2	Current Transformers (Utility Supplied)	TBD	1
3	Potential Transformers (Utility Supplied)	TBD	1
4	ABB Test Block	774B430G20	1
5	4" x ¼" tin plated copper bus bar	N/A	1
6	15 kV epoxy insulators	150-215-09	1
7	15 kV insulating boots	N/A	1
8	15 kV porcelain bushings – 4000 Amp rated	N/A	1
9	6 hole NEMA pattern lugs – 4000 Amp rated	N/A	1
10	PT drawer	TBD	3
11	4' x 8" x ¼" glastic sheet	N/A	1
12	13 jaw meter socket	CSE TSU13	1
13	Heatrex 125V 250W space heaters	565004	1
14	Honeywell thermostats	CT410A1001	1
15	100M roll of #10 SIS switchboard Wire	6KL-1001F-09	1
16	100M roll of #14 SIS switchboard Wire	6KL-1401F-10	1
17	Mis shop supplies and grade 8 hardware	N/A	1
18	#8 PT cable 7500 Volt 150 degree C	NB0802B-02	1
19	3M 15 kV bus bar insulation	BBI-7A	1
20	2" x ¼" tin plated ground busbar	N/A	1
21	Ground ball stud	HTG21721	1
22	Ball stud cover	SAL21236	1
23	15 kV epoxy insulators	105-215-01 (A1A1)	2
24	4" x ½" tin plated copper bus bar	N/A	1
25	Burndy Aluminum Set Screw Lug, 14-2 AWG	KA2U	3
26	Steel Footplate, ¼"	N/A	2
27	Square tube steel, 2"x ¼" x 12"	N/A	2
28	Square tube steel, 2"x ¼" x 20"	N/A	2
29	Angle Steel Plate, 3" x ¼" x 20"	N/A	1
30	Superior Interlock–Transfer Interlock (B-1088)	S105662YOD	1

Document Title: Piapot Signed ITP – [Metering Cabinet (MC) Ready for Service – Inspection and Test Plan (RFS-ITP)]

Document Number: 25472-101-V2A-EMM0-W0014

Revision Number: 1

PO Number: 4500249594

Material Requisition Number: 07 VX

Applicable Tag#: 127-PIAPT-B0-JIT-01



Shermco Industries
 1033 Kearns Cres.
 Regina, SK
 Canada, S4K 0A2
 (306) 949-8131

Supplier Rev.	Rev Date DD-MMM-YYYY	Reason for Issue	Supplier Name
0	27-Aug-2020	First Issue	Shermco Industries
1	3-Sept-2020	Minor Edits	Shermco Industries



TC Energy
Keystone XL Pipeline – Piapot Metering Cabinet Refrubishment ITP & Test Data
20-T262-1082
Revision 0

Prepared By:
Brad Temple, EIT
Electrical Engineer

Shermco Industries Canada Inc.
1033 Kearns Crescent
P.O. Box 995
Regina, Saskatchewan S4P 3B2
Telephone: (306) 949-8131 Fax: (306) 522-918

Contents

Inspection & Test Plan

Photos

Potential Transformer Tests

Current Transformer Tests

Test Sheets – Inspection & Test Plan

Test Equipment - Calibration Certificates

Inspection & Test Plan

Prepared By:

Prepared for:



Project Information:

Project Reference:

20-T262-1082

Project Title:

TC Energy Keystone XL (KXL) Pipeline

Document Title:

**MV Metering Cabinet (MC)
Ready for Service – Inspection & Test Plan (RFS-ITP)**

1	29June2020	Updated as per TC's mark-ups/comments		BT	TH	TH
0	15June2020	First Issue		BT	TH	TH
Rev	Date	Description		By	Checked	Approved
Division Shermco Engineering - Regina		Orig. Author/Department Brad Temple / Engineering		Project/Bid No. 20-T262-1082		
Document Title MV Metering Cabinet (MC) - Ready for Service – Inspection & Test Plan (RFS-ITP)		TC Energy Document No. 25472-101-V2A-EMM0-W0001		Shermco Document No. T262-1082-TCP-MC-RFSITP		Rev 1

Piapot

Table Of Contents

1.	Recommendations and Scope	2
2.	Definitions	2
3.	List of Applicable Stations	3
4.	Inspection and Test Plan Matrix	4

1. Recommendations and Scope

Each cabinet has been refurbished based on the previously identified deficiencies documented in each individual report. The following document details the recommended “Ready for Service – Inspection & Test Plan” (RFS-ITP) that would be executed at the storage facility prior to handing the cabinets over to TC-Energy’s pre-commissioning team.

Details of each of the processes and procedures can be found within Section-4 “MV Metering Cabinet Inspection and Test Plan Matrix”. The Metering Cabinet(s) are not permitted to be placed into service until all “Acceptance Criteria” is met in Section-4.

2. Definitions

Definitions defined within the Inspection and Test Plan Matrix on the following pages:

Test Definitions:

CWT	Customer Witness Test	(Specific testing process completed with customer present)
FAT	Factory Acceptance Test	(Internal testing performed by the individual equipment supplier at their factories)
SAT	Site/Storage Acceptance Test	(Specific testing process completed at the site or storage facility)

Status Point Definitions:

H	Hold Point	(Inspection or testing point required)
R	Review Point	(Review of record/certificate only)
S	Surveillance Point	(Random attendance, no signature required)
W	Witness Point	(Attendance expected & signature to proceed only if in attendance)

3. List of Applicable Stations

Table-1 below shows the applicable stations that contain the metering cabinets (along with the quantity of motors/pumps used at that station) along with any status comments.

TABLE-1

#	Station Name	Station Country	Station Province/State	Number of Motors/Pumps (after expan.)	Comments/Station Status
1	PS-1 Hardisty B (for EES-10)	Canada	Alberta	3	No substation equipment at this site, no MV Metering Cabinet RFS-ITP
2	PS-1 Hardisty B(for EES-11)	Canada	Alberta	3	No substation equipment at this site, no MV Metering Cabinet RFS-ITP
3	PS-2 Lakesend East	Canada	Alberta	5	No substation equipment at this site, no MV Metering Cabinet RFS-ITP
4	PS-3 Monitor South	Canada	Alberta	5	No substation equipment at this site, no MV Metering Cabinet RFS-ITP
5	PS-4 Oyen South	Canada	Alberta	4	No substation equipment at this site, no MV Metering Cabinet RFS-ITP
6	PS-5 Blindoss South	Canada	Alberta	5	No substation equipment at this site, no MV Metering Cabinet RFS-ITP
7	PS-6 Fox Valley	Canada	Saskatchewan	5	Shermco – Regina Service Center, Regina, SK
8	PS-7 Piapot	Canada	Saskatchewan	5	Shermco – Regina Service Center, Regina, SK
9	PS-8 Grassy Creek	Canada	Saskatchewan	5	Shermco – Regina Service Center, Regina, SK
10	PS-9 Phillips	United States	Montana	5	No substation equipment at this site, no MV Metering Cabinet RFS-ITP
11	PS-10 Valley	United States	Montana	5	No substation equipment at this site, no MV Metering Cabinet RFS-ITP
12	PS-11 Fort Peck	United States	Montana	5	No substation equipment at this site, no MV Metering Cabinet RFS-ITP
13	PS-12 Circle	United States	Montana	5	No substation equipment at this site, no MV Metering Cabinet RFS-ITP
14	PS-13 Prairie	United States	Montana	4	No substation equipment at this site, no MV Metering Cabinet RFS-ITP
15	PS-14 Fallon	United States	Montana	5	No substation equipment at this site, no MV Metering Cabinet RFS-ITP
16	PS-15 Harding	United States	South Dakota	5	No substation equipment at this site, no MV Metering Cabinet RFS-ITP
17	PS-16 Buffalo	United States	South Dakota	4	No substation equipment at this site, no MV Metering Cabinet RFS-ITP
18	PS-17 Faith	United States	South Dakota	5	No substation equipment at this site, no MV Metering Cabinet RFS-ITP
19	PS-18 Haakon	United States	South Dakota	4	No substation equipment at this site, no MV Metering Cabinet RFS-ITP
20	PS-19 Murdo	United States	South Dakota	5	No substation equipment at this site, no MV Metering Cabinet RFS-ITP
21	PS-20 Winner	United States	South Dakota	5	No substation equipment at this site, no MV Metering Cabinet RFS-ITP
22	PS-21 Colome	United States	South Dakota	5	No substation equipment at this site, no MV Metering Cabinet RFS-ITP
23	PS-22 O'Neill (orig Atkinson)	United States	Nebraska	5	No substation equipment at this site, no MV Metering Cabinet RFS-ITP
24	PS-23 Oakdale (orig Ericsson)	United States	Nebraska	5	No substation equipment at this site, no MV Metering Cabinet RFS-ITP
25	PS-23B Leigh	United States	Nebraska	3	New Station being added, no RFS-ITP
26	PS-24 Bellwood (orig Fullerton/Central City)	United States	Nebraska	5	No substation equipment at this site, no MV Metering Cabinet RFS-ITP
27	PS-25 Milford (orig Fairmont/Exter)	United States	Nebraska	5	No substation equipment at this site, no MV Metering Cabinet RFS-ITP
28	PS-26 Steele City B	United States	Nebraska	5	No substation equipment at this site, no MV Metering Cabinet RFS-ITP
29	PS-27 Riley	United States	Kansas	4	No substation equipment at this site, no MV Metering Cabinet RFS-ITP
30	PS-29 Burns	United States	Kansas	4	No substation equipment at this site, no MV Metering Cabinet RFS-ITP
31	PS-32 Cushing South	United States	Oklahoma	4	No substation equipment at this site, no MV Metering Cabinet RFS-ITP
32	PS-33 Cromwell	United States	Oklahoma	4	No substation equipment at this site, no MV Metering Cabinet RFS-ITP
33	PS-34 Tupelo	United States	Oklahoma	4	No substation equipment at this site, no MV Metering Cabinet RFS-ITP
34	PS-35 Bryan	United States	Oklahoma	4	No substation equipment at this site, no MV Metering Cabinet RFS-ITP
35	PS-36 Delta	United States	Texas	4	No substation equipment at this site, no MV Metering Cabinet RFS-ITP
36	PS-37 Winnsboro	United States	Texas	4	No substation equipment at this site, no MV Metering Cabinet RFS-ITP
37	PS-38 Lake Tyler	United States	Texas	4	No substation equipment at this site, no MV Metering Cabinet RFS-ITP
38	PS-39 Lufkin	United States	Texas	4	No substation equipment at this site, no MV Metering Cabinet RFS-ITP
39	PS-40 Corrigan	United States	Texas	4	No substation equipment at this site, no MV Metering Cabinet RFS-ITP
40	PS-41 Liberty	United States	Texas	4	No substation equipment at this site, no MV Metering Cabinet RFS-ITP

4. MV Metering Cabinet Inspection and Test Plan Matrix

Project Information:		Representative Sign-off:		Customer Representative Sign-off:	
Project Name:	Metering cabinet Refurbishment	Name:	Brent Temple	Name:	
Project #:	20-T262-1082	Title:	Junior Engineer (EIT)	Title:	
Customer Project #:	4500249594	Date:	July 31st / 2020	Date:	
Pump Sta. #/Name:	P14P04 (PS07)	Signature:		Signature:	
MC Tag# & Serial#:	127-PIAPT-BO-JIT-01				

Legend (for "Type" and "Verification Point")																				
Test Type:		CWT=Customer Witness Point		SAT=Storage Acceptance Test		FAT=Factory Acceptance Test														
Verification Point:		H=Hold Point		R=Review Point		S=Surveillance Point		W=Witness Point												
Item #	Verification/Test Activity	Type			Acceptance Criteria				Verify Point											
		SAT	FAT	CWT	Requirement				Acceptance/NA/Comment											
	TC Energy Keystone XL Project –MV Metering Cabinet (MC) RFS-ITP Processes																			
1.0	MV Metering Cabinet (MC) RFS-ITP Process 1: Physical/Mechanical Inspection & Refurbishment Activities (Executed at storage facility)																			
1.1	Compare unit's nameplate with drawings/specification.	X				Verify that the information on the nameplate matches what is required from the specification.														
1.2	Inspect the physical and mechanical condition of each compartment in the metering cabinet. <ul style="list-style-type: none"> Termination points Opening/Closing of cabinet doors Push/Pull of instrument transformer drawers Condition of the buses & insulated surfaces Condition of grounding connections Condition of shorting connections 	X				Ensure that no grounding or shorting connections will not be problematic and will work as intended. Validate no physical abnormalities exist. Where abnormalities are identified, photos shall be taken for record and engineering review. Ensure the deficiencies noted from the previous inspection reports have been repaired.														
1.3	Clean the meter cabinet. <ul style="list-style-type: none"> Vacuum and wipe all compartments. Wipe (dry rag) all insulation surfaces. Use of denatured alcohol is permitted if dry rag cannot clean insulation surfaces. Contacts or any current carrying surfaces should be cleaned with an abrasive cloth or fine Scotch-Brite product in combination with an approved contact cleaner and contact lubricator. 	X				Validate the unit is clean. <ul style="list-style-type: none"> No unnecessary debris No buildup of dirt, soil, sand, or soot is allowed inside any of the compartments 														
1.4	Install and test functional operation of the kirk-key interlock system. Clean up any mess caused from installation.	X				Verify that the metering cabinet doors cannot open unless the kirk-key interlock system allows the metering cabinet doors to open.														

1.5	Install, modify, and function test Terminal Block TB1 as per the wiring diagram. Clean up any mess caused from installation/modification.	X		Verify that the installation is correct as per the wiring diagram and that any future interconnections can be made. Ensure the receptacle wiring is modified as per the wiring diagram. Take a photo after installation & modifications are completed.	For 127-PIAPT-B0-JIT-01 & 128-GRSSY-B0-JIT-01, ensure the barrier is placed between the UPS and normal power sources on the TB1 terminal block. For 127-PIAPT-B0-JIT-01 & 128-GRSSY-B0-JIT-01, affix lamacoid tags saying "WARNING THIS CABINET CONTAINS MULTIPLE POWER SOURCES" to the cabinet doors at a suitable height to be seen.	H	RS		
1.6	Install the Isolated Neutral Bus Bar as per the wiring diagram and general assembly drawings. Clean up any mess caused from installation.	X		Verify that the installation is correct as per the wiring diagram and general assembly drawings. Take a photo after installation is completed.		H	RS		
1.7	Compare Current Transformer nameplate data with drawings and specifications.	X		Verify that the information on the nameplate matches what is required from the specification. Ensure the turns ratio on the nameplate matches the specification.		H	RS		
1.8	Inspect the physical condition of each Current Transformer. <ul style="list-style-type: none"> Condition of termination points Condition of the case Condition of wires Mounting and alignment of each unit in the instrument drawer 	X		Validate no physical abnormalities exist. Where abnormalities are identified, photos shall be taken for record and engineering review. Verify that adequate clearances exist between primary and secondary wires.		H	RS		
1.9	Check that the connections for each current transformer are correct. Reference design drawings and specification documents.	X		Verify that the connections are correct, and that intended CT ratio will be used.		H	RS		
1.10	Check the tightness of all bolted electrical connections related to the Current Transformers.	X		Verify that no loose connections exist.		H	RS		
1.11	Compare Potential Transformer nameplate data with drawings and specifications.	X		Verify that the information on the nameplate matches what is required from the specification. Ensure the turns ratio on the nameplate matches the specification.		H	RS		
1.12	Inspect the physical condition of each Potential Transformer. <ul style="list-style-type: none"> Condition of termination points Condition of the case Condition of wires Mounting and alignment of each unit in the instrument drawer 	X		Validate no physical abnormalities exist. Where abnormalities are identified, photos shall be taken for record and engineering review. Verify that adequate clearances exist between primary and secondary wires.		H	RS		
1.13	Check that the connections for each Potential Transformer are correct. Reference design drawings and specification documents.	X		Verify that the connections are correct, and that intended turns ratio will be used.		H	RS		
1.14	Check the tightness of all bolted electrical connections related to the Potential Transformers.	X		Verify that no loose connections exist.		H	RS		
1.15	Inspect the physical condition of the Power Meter Socket. <ul style="list-style-type: none"> Visibly shorted connections Visibly grounded Condition of the case/enclosure Condition of the meter connections Condition of wires Condition of test switches Mounting and alignment 	X		Validate no physical abnormalities exist. Where abnormalities are identified, photos shall be taken for record and engineering review.		H	RS		

General Comments to Section 1.0

- Any refurbishment activities that require bolted connections need to be appropriately torqued. Apply torque marks when confirmed proper torque to bolt.
 - Attach bolt torque reports to the final/filled-out ITP
- This procedure is to be completed in full before any electrical testing is to take place.

Loose parts shipping list

- Antenna

- Touch up paint (1 Quart)
- 1 spare insulation block for PT connector

Notes

Torqued to 75 lbs

Legend (for "Type" and "Verification Point")										
Test Type:		CWT=Customer Witness Point		SAT=Storage Acceptance Test		FAT=Factory Acceptance Test				
Verification Point:		H=Hold Point		R=Review Point		S=Surveillance Point		W=Witness Point		
Item #	Verification/Test Activity	Type			Acceptance Criteria				Verify Point	
		SAT	FAT	CWT	Requirement	Acceptance/NA/Comment	Shermco	Customer	Cust 3 rd	Factory
TC Energy Keystone XL Project –MV Metering Cabinet (MC) RFS-ITP Processes										
2.0 MV Metering Cabinet (MC) RFS-ITP Process 2: Electrical Testing (Executed at storage facility)										
2.1	Perform a ductor/contact-resistance tests on each bus bar.	X			Verify that the test value for each bus is less than 10μΩ.	Test resistance values above 10μΩ will be further examined. Reasons for poor test results could be, ✓ <ul style="list-style-type: none"> Loose Connections Improper tension on bolted joints Eroded contact surfaces Contaminated or corroded contacts 	H	RS		
2.2	Perform an insulation-resistance test of each Current Transformer. <ul style="list-style-type: none"> Apply 1000V DC Primary to ground for 1 minute Apply 1000V DC Secondary to ground for 1 minute 	X			Refer to ANSI/NETA ATS Table 100.5 for minimum insulation resistance values. Confirm that the test resistance value is above the minimum insulation resistance stated. ✓		H	RS		
2.3	Perform polarity testing on each Current Transformer.	X			Verify that the polarity of the Current Transformer matches the polarity markings on the unit. ✓		H	RS		
2.4	Perform a ratio verification test on each Current Transformer.	X			Verify that the nameplate ratio matches the test results.	Ratio error should be minimal. Refer to IEEE C57.13 or manufacturer's documentation if large error exists. ✓	H	RS		
2.5	Perform an excitation test on each Current Transformer.	X			Verify that the Current Transformer reaches saturation during the test. Compare the test results between each Current Transformer and previous test results.	Operating and saturation (knee point) regions should be clearly identified in test results to prove accuracy rating and that no shorted windings exist. ✓ Refer to IEEE C57.13.1 or manufacturer's documentation for more information.	H	RS		
2.6	Measure the current circuit burden of each Current Transformer.	X			Verify that each burden matches the labeled transformer rating. ✓		H	RS		
2.7	Perform a dielectric withstand test on the primary winding with the secondary grounded for each Current Transformer.	X			Apply voltage in accordance to either the manufacturer's data or ANSI/NETA ATS Table 100.9. Unit passes the test if there is no evidence of distress or insulation failure after the test is completed. ✓	Do not proceed if any distress or insulation failure is observed as a result of the test. ✓	H	RS		
2.8	Perform power-factor or dissipation-factor tests on each Current Transformer.	X			Confirm that power-factor or dissipation-factor values compare to the manufacturer's data.	In the absence of manufacturer data, use the test equipment manufacturer's data instead. ✓	H	RS		

2.9	Check to see that each Current Transformer's secondary circuits are grounded.	X		Confirm that each Current Transformer's secondary circuit is grounded and that there is only one grounding point.	Refer to grounding location specified by the engineer in the project drawings. Refer to ANSI/IEEE C57.13.3. ✓	H	RS		
2.10	Perform an insulation-resistance test on each Potential Transformer. <ul style="list-style-type: none"> Winding-to-winding Winding-to-ground 	X		Refer to ANSI/NETA ATS Table 100.5 for minimum insulation resistance values. Confirm that the test resistance value is above the minimum insulation resistance stated. ✓		H	RS		
2.11	Perform polarity testing on each Potential Transformer.	X		Verify that the polarity of the Potential Transformer matches the polarity markings (H1-X1 relationship) on the unit. ✓		H	RS		
2.12	Perform a ratio verification test for each tap setting on each Potential Transformer.	X		Verify that the nameplate ratios match the test results.	Ratio error should be minimal. Refer to IEEE C57.13 or manufacturer's documentation if large error exists. ✓	H	RS		
2.13	Measure the voltage circuit burden of each Potential Transformer.	X		Verify that each burden matches the labeled transformer rating. ✓		H	RS		
2.14	Perform a dielectric withstand test on the primary winding with the secondary grounded for each Potential Transformer.	X		Apply voltage in accordance to either the manufacturer's data or ANSI/NETA ATS Table 100.9. Unit passes the test if there is no evidence of distress or insulation failure after the test is completed. ✓	Do not proceed if any distress or insulation failure is observed as a result of the test. ✓	H	RS		
2.15	Perform power-factor or dissipation-factor tests on each Potential Transformer.	X		Confirm that power-factor or dissipation-factor values compare to the manufacturer's data. ✓	In the absence of manufacturer data, use the test equipment manufacturer's data instead. ✓	H	RS		
2.16	Check to see that each Potential Transformer's secondary circuits are grounded.	X		Confirm that each Potential Transformer's secondary circuit is grounded and that there is only one grounding point.	Refer to grounding location specified by the engineer in the project drawings. Refer to ANSI/IEEE C57.13.3. ✓	H	RS		
2.17	Perform an insulation resistance test on the isolated neutral bus bar. <ul style="list-style-type: none"> Apply 1000V DC for 1 minute 	X		Refer to ANSI/NETA ATS Table 100.1 for minimum insulation resistance values. Confirm that the test resistance value is above the minimum insulation resistance stated. ✓		H	RS		
2.18	Perform a ductor test on the isolated neutral bus bar.	X		Verify that the test value for each bus is less than 10μΩ.	Test resistance values above 10μΩ will be further examined. Reasons for poor test results could be, ✓ <ul style="list-style-type: none"> Loose Connections Improper tension on bolted joints Eroded contact surfaces Contaminated or corroded contacts 	H	RS		
2.19	Check to see if the heaters are functioning properly. Check the functionality of the thermostats.	X		Verify that they can be energized and produce heat. Verify that the thermostats are operational.	Heaters should turn on when the thermostat set point is below ambient temperature. Heaters should turn off when the thermostat set point is above ambient temperature. ✓	H	RS		

General Comments to Section 2.0

-If the Metering Cabinet(s) are deemed to have failed any of the Acceptance Testing Criteria, they would be considered non-serviceable

- Components will need to be refurbished or be completely replaced in attempt to pass the Acceptance Testing Criteria.
- Once components have been refurbished/replaced, retest the Metering Cabinet(s) with the same procedure.

-Any bolted connections that were taken off for electrical testing need to be appropriately torqued when reattached. Apply torque marks when confirmed proper torque to bolt.

-As-Built drawings need to be signed/stamped.

-Record all test result on test sheets and attach the final/filled-out ITP. Test equipment logs & calibration certificates to be attached too.

Legend (for "Type" and "Verification Point")											
Test Type:		CWT=Customer Witness Point		SAT=Storage Acceptance Test		FAT=Factory Acceptance Test					
Verification Point:		H=Hold Point		R=Review Point		S=Surveillance Point		W=Witness Point			
Item #	Verification/Test Activity	Type			Acceptance Criteria				Verify Point		
		SAT	FAT	CWT	Requirement	Acceptance/NA/Comment		Shermco	Customer	Cust 3 rd	Factory
TC Energy Keystone XL Project –MV Metering Cabinet (MC) RFS-ITP Processes											
3.0 MV Metering Cabinet (MC) RFS-ITP Process 3: Prepare for Storage (Executed at storage facility)											
3.1	Have a CSA Inspection done on the Metering Cabinet.	X			The metering cabinet needs to comply with CSA standards. The CSA inspector will provide a certificate/permit. That certificate/permit needs to demonstrate that the metering cabinet is "CSA Approved".	✓		H	RS		
3.2	Determine where the Metering Cabinet is going to be stored. Create a moving plan on how each Metering Cabinet will be moved safely to the storage location outside.	X			Communicate moving plan to team members.	✓		H	RS		
3.3	Use a lift-truck/crane to move the Metering Cabinet outside for storage.	X			Ensure the storage location is accessible to temporary power. Temporary power is needed to run the heaters.	✓		H	RS		
3.4	Connect temporary power to enable the heaters.	X			Verify that the heaters are operational at the storage location.	✓		H	RS		
General Comments to Section 3.0 -Proceed with Section 3.0 when section 1.0 & 2.0 are completed. -Metering Cabinets are to remain in storage until further notice. -While in storage monthly inspections need to be performed and documented. <ul style="list-style-type: none"> • Check the heaters • General visual inspection -Prepare shipment and include applicable documentation (MSDS, Storage/Installation/Maintenance manuals, ect) when each unit is requested to be shipped. -Record all test result on test sheets and attach the final/filled-out ITP. Test equipment logs & calibration certificates to be attached too.											

----- End of Document -----

Photos







Potential Transformer Tests



Report Source PotentialTransformer

Session Test Date 28-Jul-20 2:29:50 PM

Nameplate - Voltage Transformer

Company	TCE	Serial Number	11316720
Location	PIAPOT	Special ID	C0000089698
Division		Circuit Designation	PHASE A
Manufacturer	ABB (ASEA-Brown Boveri)	Class	
Year Manufactured	2013	Type	PotentialTransformer
Mfr Location	USA	Insulation Type	
Catalog/Style	9629A02G30	Weight	*
Impedance	*	BIL	75 kV
Oil Volume	*	VA Rating	1500
kV	4.2,0.12,0.07		

Administration

Test Date	28-Jul-20	Test Time:	2:29 PM	Weather	
Air Temperature	22.7°C	Apparatus Temperature	27°C	Humidity	47.216 %
Tester	Thomas Sawchyn	Work Order		Date Last Tested	28-Jul-20
Verified		Test Set Type	M4100	Date Retested	
Verification Date		Set Top Serial #	11120768	Reason	
Last Sheet #		Test Set Model	M4100	Travel Time	
Purchase Order		Ins. Book #		Duration	
Copies		Sheet #		Crew Size	

Overall Tests

Insulation System	Test kV	mA	Watts	Corr. Fr	PF [%]	PF*TCF [%]	Cap (pF)	FRANK™	Manual
CH1+CH2+CHX+CHY	4.199	1.942	0.738	1	3.818	3.818	514.664	Good	Good
CH1+CH2+CHX+CHY	2.000	1.937	0.706	1	3.648	3.648	513.450	Good	Good
CH1+1/2*(CHX+CHY)	4.199	0.428	0.272	1	6.297	6.297	113.322	Good	Good
CH2+1/2*(CHY+CHX)	4.199	1.290	0.435	1	3.354	3.354	341.947	Good	Good
lex	4.198	40.117	264.317	1	65.887	65.887	-8000.570	Good	
lex	4.198	14.195	90.098	1	63.470	63.470	-2910.010		

I_{EX} is not critical for this test

Supplemental Tests

Insulation System	Test kV	mA	Watts	Corr. Fr	PF [%]	PF*TCF [%]	Cap (pF)	FRANK™	Manual
CHX	*	*	*	*	*	*	*		
CHY	*	*	*	*	*	*	*		
CH1	*	*	*	*	*	*	*		
CH2	*	*	*	*	*	*	*		



Report Source PotentialTransformer

Session Test Date 28-Jul-20 2:15:43 PM

Nameplate - Voltage Transformer

Company	TCE	Serial Number	11316714
Location	PIAPOT	Special ID	C0000089692
Division		Circuit Designation	PHASE B
Manufacturer	ABB (ASEA-Brown Boveri)	Class	
Year Manufactured	2013	Type	PotentialTransformer
Mfr Location	USA	Insulation Type	
Catalog/Style	9629A02G30	Weight	*
Impedance	*	BIL	75 kV
Oil Volume	*	VA Rating	1500
kV	4.2,0.12,0.07		

Administration

Test Date	28-Jul-20	Test Time:	2:15 PM	Weather	
Air Temperature	22.5°C	Apparatus Temperature	26°C	Humidity	47.827 %
Tester	Thomas Sawchyn	Work Order		Date Last Tested	28-Jul-20
Verified		Test Set Type	M4100	Date Retested	
Verification Date		Set Top Serial #	11120768	Reason	
Last Sheet #		Test Set Model	M4100	Travel Time	
Purchase Order		Ins. Book #		Duration	
Copies		Sheet #		Crew Size	

Overall Tests

Insulation System	Test kV	mA	Watts	Corr. Fr	PF [%]	PF*TCF [%]	Cap (pF)	FRANK™	Manual
CH1+CH2+CHX+CHY	4.198	1.867	0.786	1	4.226	4.226	494.871	Good	Good
CH1+CH2+CHX+CHY	1.999	1.860	0.721	1	3.876	3.876	493.002	Good	Good
CH1+1/2*(CHX+CHY)	4.199	0.416	0.269	1	6.413	6.413	110.081	Good	Good
CH2+1/2*(CHY+CHX)	4.198	1.239	0.467	1	3.752	3.752	328.474	Good	Good
lex	4.198	40.237	264.690	1	65.783	65.783	-8037.620	Good	
lex	4.199	14.501	89.715	1	61.868	61.868	-3021.410		

I_{EX} is not critical for this test

Supplemental Tests

Insulation System	Test kV	mA	Watts	Corr. Fr	PF [%]	PF*TCF [%]	Cap (pF)	FRANK™	Manual
CHX	*	*	*	*	*	*	*		
CHY	*	*	*	*	*	*	*		
CH1	*	*	*	*	*	*	*		
CH2	*	*	*	*	*	*	*		



Report Source PotentialTransformer

Session Test Date 28-Jul-20 2:00:44 PM

Nameplate - Voltage Transformer

Company	TCE	Serial Number	11316721
Location	PIAPOT	Special ID	C0000089699
Division		Circuit Designation	PHASE C
Manufacturer	ABB (ASEA-Brown Boveri)	Class	
Year Manufactured	2013	Type	PotentialTransformer
Mfr Location	USA	Insulation Type	
Catalog/Style	9629A02G30	Weight	*
Impedance	*	BIL	75 kV
Oil Volume	*	VA Rating	1500
kV	4.2,0.12,0.07		

Administration

Test Date	28-Jul-20	Test Time:	2:00 PM	Weather	
Air Temperature	22.3°C	Apparatus Temperature	26°C	Humidity	48.010 %
Tester	Thomas Sawchyn	Work Order		Date Last Tested	28-Jul-20
Verified		Test Set Type	M4100	Date Retested	
Verification Date		Set Top Serial #	11120768	Reason	
Last Sheet #		Test Set Model	M4100	Travel Time	
Purchase Order		Ins. Book #		Duration	
Copies		Sheet #		Crew Size	

Overall Tests

Insulation System	Test kV	mA	Watts	Corr. Fr	PF [%]	PF*TCF [%]	Cap (pF)	FRANK™	Manual
CH1+CH2+CHX+CHY	4.199	1.874	0.774	1	4.187	4.187	496.648	Good	Good
CH1+CH2+CHX+CHY	1.999	1.868	0.721	1	3.885	3.885	495.108	Good	Good
CH1+1/2*(CHX+CHY)	4.199	0.420	0.256	1	6.040	6.040	111.321	Good	Good
CH2+1/2*(CHY+CHX)	4.199	1.223	0.413	1	3.358	3.358	324.249	Good	Good
lex	4.199	40.277	264.869	1	65.763	65.763	-8046.330	Good	
lex	4.199	12.352	86.709	1	70.197	70.197	-2333.780		

lex is not critical for this test

Supplemental Tests

Insulation System	Test kV	mA	Watts	Corr. Fr	PF [%]	PF*TCF [%]	Cap (pF)	FRANK™	Manual
CHX	*	*	*	*	*	*	*		
CHY	*	*	*	*	*	*	*		
CH1	*	*	*	*	*	*	*		
CH2	*	*	*	*	*	*	*		

Current Transformer Tests

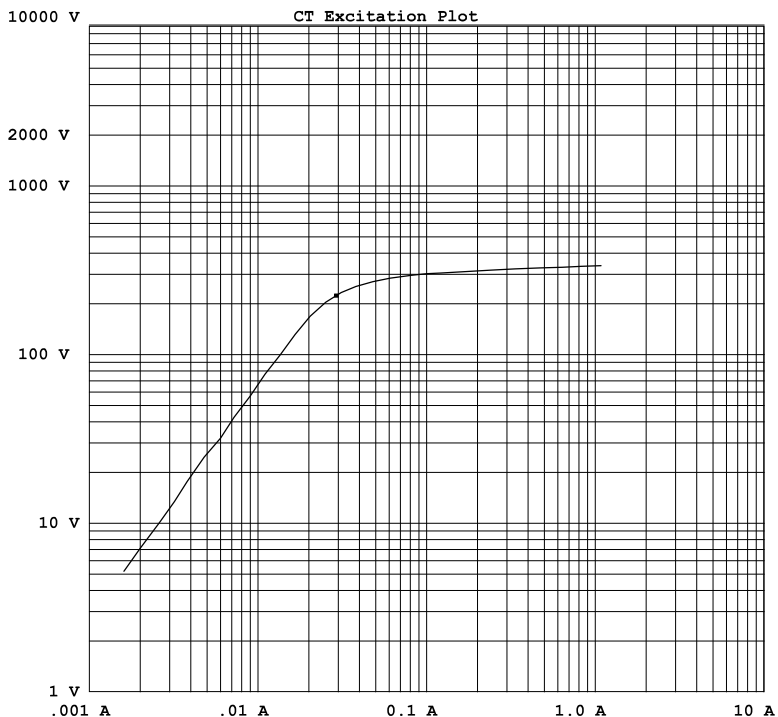


FILENAME: Piapot A Phase.plan
DATE: 07/28/20 09:02:55
COMPANY: TC Energy
STATION: Piapot
CIRCUIT: Metering Cabinet A P

MFR: GE
MODEL: JCM-4
SN: 7561123
OPERATOR: BH
COMMENTS:

TEST # 1: X3-X4
TEST NOTES: Megger Test: >2.2 GO
KNEE TYPE: IEEE 30 Deg
FREQUENCY: 60 Hz

Table with 6 columns: IEEE 30, IEEE 45, IEC 10/50, NP-RATIO: 2000/5.0, Ex V[Volts]: 157.300, Phase Angle:0.04°. Rows include Vkp[Amps], Ikp[Amps], and % ERROR: 0.0699.



CT DATA POINTS

Table with 12 columns: POINT, CUR(A), VTG(V), Z(OHM). Contains 26 data points for CT excitation.

GRAPH POINTS

Table with 8 columns: POINT, CUR(A), VTG(V), Z(OHM). Contains 11 data points for graph excitation.

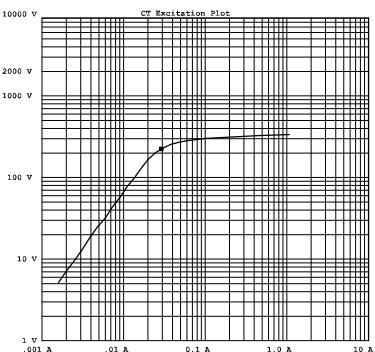


FILENAME: Piapot A Phase.plan
DATE: 07/28/20 09:02:55
COMPANY: TC Energy
STATION: Piapot
CIRCUIT: Metering Cabinet A P

MFR: GE
MODEL: JCM-4
SN: 7561123
OPERATOR: BH
COMMENTS:

TEST # 1: X3-X4
TEST NOTES: Megger Test: >2.2 GO
KNEE TYPE: IEEE 30 Deg
FREQUENCY: 60 Hz

Table with 6 columns: IEEE 30, IEEE 45, IEC 10/50, NP-RATIO: 2000/5.0, Ex V [Volts]: 157.300, Phase Angle: 0.04°. Rows include Vkp [Volts] and Ikp [Amps] values.



CT DATA POINTS

Table with 12 columns: POINT, CUR (A), VTG (V), Z (OHM), POINT, CUR (A), VTG (V), Z (OHM), POINT, CUR (A), VTG (V), Z (OHM). Contains 13 data points.

RCF(10%)=N/A, RCF(100%)=N/A

Class B-0.1 Metering N/A Bmag=0.10, Br=0.09, Bi=0.04, Btot=0.874, Vsec(10%)=0.437, Vsec(100%)=4.372
Interpolated 100% Point not found. Point#1=not found, Point#2=found
Interpolated 10% Point not found. Point#1=not found, Point#2=found

RCF(10%)=N/A, RCF(100%)=N/A

Class B-0.2 Metering N/A Bmag=0.20, Br=0.18, Bi=0.09, Btot=0.967, Vsec(10%)=0.484, Vsec(100%)=4.837
Interpolated 100% Point not found. Point#1=not found, Point#2=found
Interpolated 10% Point not found. Point#1=not found, Point#2=found

RCF(10%)=N/A, RCF(100%)=1.000

Class B-0.5 Metering N/A Bmag=0.50, Br=0.45, Bi=0.22, Btot=1.253, Vsec(10%)=0.626, Vsec(100%)=6.263
Interpolated 100% vsec 6.263 (VtgPt1 5.20 VtgPt2 7.12) (Ipt1 0.0016 Ipt2 0.0020) I 0.0018 (PhsPt1 0.00 PhsPt2 0.00 Phs 0.00)
Interpolated 10% Point not found. Point#1=not found, Point#2=found

RCF(10%)=N/A, RCF(100%)=1.000

Class B-0.9 Metering N/A Bmag=1.00, Br=0.90, Bi=0.44, Btot=1.739, Vsec(10%)=0.869, Vsec(100%)=8.695
Interpolated 100% vsec 8.695 (VtgPt1 7.12 VtgPt2 10.08) (Ipt1 0.0020 Ipt2 0.0026) I 0.0023 (PhsPt1 0.00 PhsPt2 0.00 Phs 0.00)
Interpolated 10% Point not found. Point#1=not found, Point#2=found

RCF(10%)=N/A, RCF(100%)=1.000

Class B-1.8 Metering N/A Bmag=2.00, Br=1.80, Bi=0.87, Btot=2.727, Vsec(10%)=1.363, Vsec(100%)=13.633
Interpolated 100% vsec 13.633 (VtgPt1 13.48 VtgPt2 17.76) (Ipt1 0.0032 Ipt2 0.0038) I 0.0032 (PhsPt1 0.00 PhsPt2 0.00 Phs 0.00)
Interpolated 10% Point not found. Point#1=not found, Point#2=found



FILENAME: Piapot A Phase.plan
DATE: 07/28/20 09:02:55
COMPANY: TC Energy
STATION: Piapot
CIRCUIT: Metering Cabinet A P

MFR: GE
MODEL: JCM-4
SN: 7561123
OPERATOR: BH
COMMENTS:

SUMMARY REPORT
KNEE TYPE: IEEE 30 Deg
FREQUENCY: 60 Hz

Test	Tap	IEEE30 (V/I)	IEEE45 (V/I)	IEC 10/50 (V/I)	NP-Ratio	M-Ratio	% Error	Phase Angle	Winding Res
8	X3-X4	223.76/0.0292	172.68/0.0208	254.04/0.0378	2000/5.0	399.721	0.070 %	0.04° [In Ø]	656.84 m-ohms

Test Notepad

Summary Metering Class CT Report
Test terminals: X3-X4

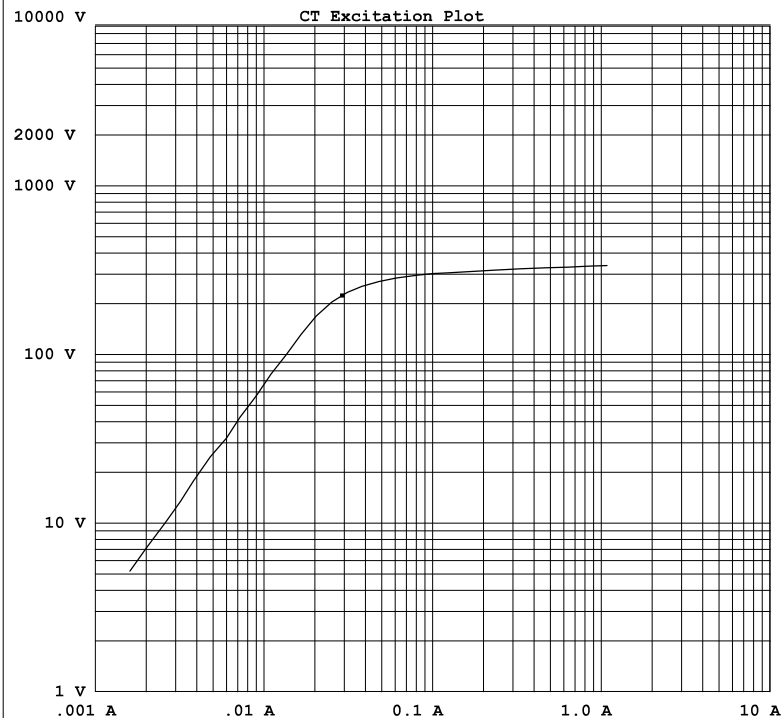
Accuracy Class: N/A B-0.1
RCF(10%)=N/A, RCF(100%)=N/A

Accuracy Class: N/A B-0.2
RCF(10%)=N/A, RCF(100%)=N/A

Accuracy Class: N/A B-0.5
RCF(10%)=N/A, RCF(100%)=1.000

Accuracy Class: N/A B-0.9
RCF(10%)=N/A, RCF(100%)=1.000

Accuracy Class: N/A B-1.8
RCF(10%)=N/A, RCF(100%)=1.000





FILENAME: Piapot A Phase.plan
DATE: 07/28/20 09:02:55
COMPANY: TC Energy
STATION: Piapot
CIRCUIT: Metering Cabinet A P

MFR: GE
MODEL: JCM-4
SN: 7561123
OPERATOR: BH
COMMENTS:

TEST PLAN
TEST NOTES: Megger Test: >2.2 GO
KNEE TYPE: IEEE 30 Deg
FREQUENCY: 60 Hz

	Nameplate Ratio	Ratio Test	Excitation Test	Winding Res Test	Excitation Voltage (V)	Excitation Current (A)	Note
X3-X4	2000/5.0	[X]	[X]	[X]	300.00	1.00	Megger Test: >2.2 GO
Burden Test	[]						
Insulation Test	[]						



- Insulation test completed with Megger
- Burden test results found in "Test Sheets" section of report

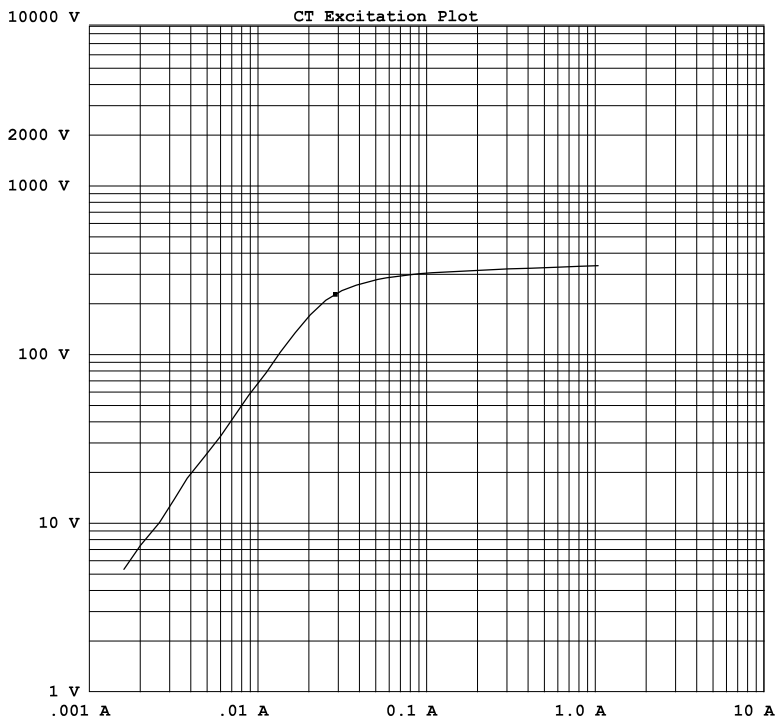


FILENAME: Piapot B Phase.plan
DATE: 07/28/20 09:05:19
COMPANY: TC Energy
STATION: Piapot
CIRCUIT: Metering Cabinet B P

MFR: GE
MODEL: JCM-4
SN: 7561120
OPERATOR: BH
COMMENTS:

TEST # 1: X3-X4
TEST NOTES: Megger Test: >2.2 GO
KNEE TYPE: IEEE 30 Deg
FREQUENCY: 60 Hz

Table with 6 columns: IEEE 30, IEEE 45, IEC 10/50, NP-RATIO: 2000/5.0, Ex V[Volts]: 157.800, Phase Angle:0.06°. Rows include Vkp[Amps], Ikp[Amps], and % ERROR.



CT DATA POINTS

Table with 12 columns: POINT, CUR(A), VTG(V), Z(OHM). Contains two sets of data points for CT excitation.

GRAPH POINTS

Table with 8 columns: POINT, CUR(A), VTG(V), Z(OHM). Contains data points for the graph.

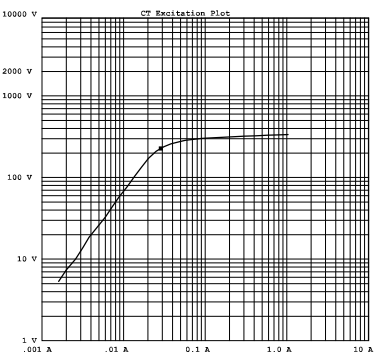


FILENAME: Piapot B Phase.plan
DATE: 07/28/20 09:05:19
COMPANY: TC Energy
STATION: Piapot
CIRCUIT: Metering Cabinet B P

MFR: GE
MODEL: JCM-4
SN: 7561120
OPERATOR: BH
COMMENTS:

TEST # 1: X3-X4
TEST NOTES: Megger Test: >2.2 GO
KNEE TYPE: IEEE 30 Deg
FREQUENCY: 60 Hz

Table with 6 columns: IEEE 30, IEEE 45, IEC 10/50, NP-RATIO: 2000/5.0, Ex V [Volts]: 157.800, Phase Angle: 0.06°. Rows include Vkp [Volts] and Ikp [Amps] for both IEEE and IEC standards, along with M-RATIO and Winding Res.



CT DATA POINTS

Table with 12 columns: POINT, CUR (A), VTG (V), Z (OHM), POINT, CUR (A), VTG (V), Z (OHM), POINT, CUR (A), VTG (V), Z (OHM). Contains 13 data points for CT excitation characteristics.

RCF(10%)=N/A, RCF(100%)=N/A

Class B-0.1 Metering N/A Bmag=0.10, Br=0.09, Bi=0.04, Btot=0.858, Vsec(10%)=0.429, Vsec(100%)=4.289
Interpolated 100% Point not found. Point#1=not found, Point#2=found
Interpolated 10% Point not found. Point#1=not found, Point#2=found

RCF(10%)=N/A, RCF(100%)=N/A

Class B-0.2 Metering N/A Bmag=0.20, Br=0.18, Bi=0.09, Btot=0.951, Vsec(10%)=0.475, Vsec(100%)=4.754
Interpolated 100% Point not found. Point#1=not found, Point#2=found
Interpolated 10% Point not found. Point#1=not found, Point#2=found

RCF(10%)=N/A, RCF(100%)=1.000

Class B-0.5 Metering N/A Bmag=0.50, Br=0.45, Bi=0.22, Btot=1.236, Vsec(10%)=0.618, Vsec(100%)=6.180
Interpolated 100% vsec 6.180 (VtgPt1 5.32 VtgPt2 7.36) (Ipt1 0.0016 Ipt2 0.0020) I 0.0018 (PhsPt1 0.00 PhsPt2 0.00 Phs 0.00)
Interpolated 10% Point not found. Point#1=not found, Point#2=found

RCF(10%)=N/A, RCF(100%)=1.000

Class B-0.9 Metering N/A Bmag=1.00, Br=0.90, Bi=0.44, Btot=1.723, Vsec(10%)=0.861, Vsec(100%)=8.614
Interpolated 100% vsec 8.614 (VtgPt1 7.36 VtgPt2 10.08) (Ipt1 0.0020 Ipt2 0.0026) I 0.0023 (PhsPt1 0.00 PhsPt2 0.00 Phs 0.00)
Interpolated 10% Point not found. Point#1=not found, Point#2=found

RCF(10%)=N/A, RCF(100%)=1.000

Class B-1.8 Metering N/A Bmag=2.00, Br=1.80, Bi=0.87, Btot=2.711, Vsec(10%)=1.355, Vsec(100%)=13.554
Interpolated 100% vsec 13.554 (VtgPt1 10.08 VtgPt2 13.96) (Ipt1 0.0026 Ipt2 0.0032) I 0.0031 (PhsPt1 0.00 PhsPt2 0.00 Phs 0.00)
Interpolated 10% Point not found. Point#1=not found, Point#2=found



FILENAME: Piapot B Phase.plan
DATE: 07/28/20 09:05:19
COMPANY: TC Energy
STATION: Piapot
CIRCUIT: Metering Cabinet B P

MFR: GE
MODEL: JCM-4
SN: 7561120
OPERATOR: BH
COMMENTS:

SUMMARY REPORT
KNEE TYPE: IEEE 30 Deg
FREQUENCY: 60 Hz

Test	Tap	IEEE30 (V/I)	IEEE45 (V/I)	IEC 10/50 (V/I)	NP-Ratio	M-Ratio	% Error	Phase Angle	Winding Res
8	X3-X4	227.20/0.0288	180.48/0.0212	259.36/0.0386	2000/5.0	399.253	0.187 %	0.06° [In Ø]	642.84 m-ohms

Test Notepad

Summary Metering Class CT Report
Test terminals: X3-X4

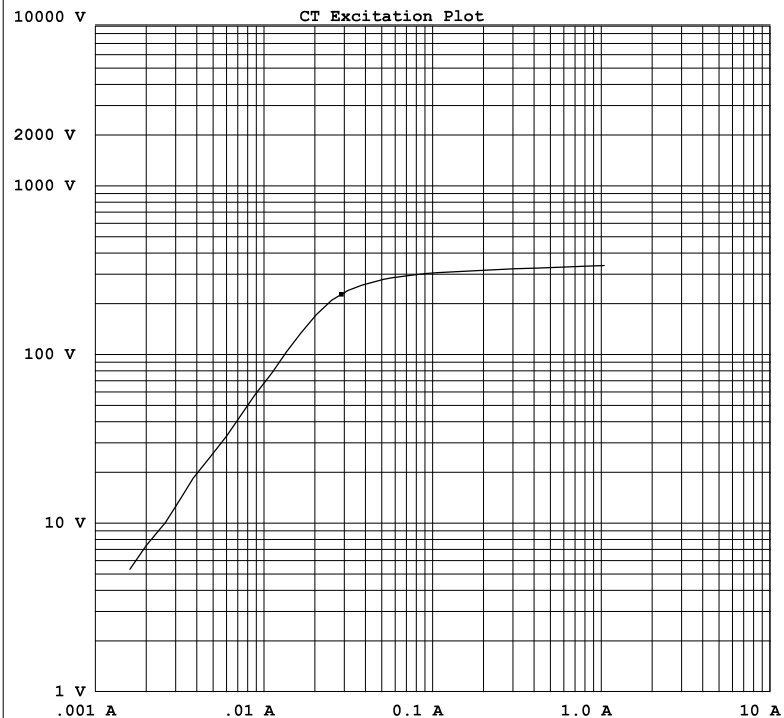
Accuracy Class: N/A B-0.1
RCF(10%)=N/A, RCF(100%)=N/A

Accuracy Class: N/A B-0.2
RCF(10%)=N/A, RCF(100%)=N/A

Accuracy Class: N/A B-0.5
RCF(10%)=N/A, RCF(100%)=1.000

Accuracy Class: N/A B-0.9
RCF(10%)=N/A, RCF(100%)=1.000

Accuracy Class: N/A B-1.8
RCF(10%)=N/A, RCF(100%)=1.000





FILENAME: Piapot B Phase.plan
DATE: 07/28/20 09:05:19
COMPANY: TC Energy
STATION: Piapot
CIRCUIT: Metering Cabinet B P

MFR: GE
MODEL: JCM-4
SN: 7561120
OPERATOR: BH
COMMENTS:

TEST PLAN
TEST NOTES: Megger Test: >2.2 GO
KNEE TYPE: IEEE 30 Deg
FREQUENCY: 60 Hz

	Nameplate Ratio	Ratio Test	Excitation Test	Winding Res Test	Excitation Voltage (V)	Excitation Current (A)	Note
X3-X4	2000/5.0	[X]	[X]	[X]	300.00	1.00	Megger Test: >2.2 GO
Burden Test	[]						
Insulation Test	[]						

- Insulation test completed with Megger
- Burden test results found in "Test Sheets" section of report

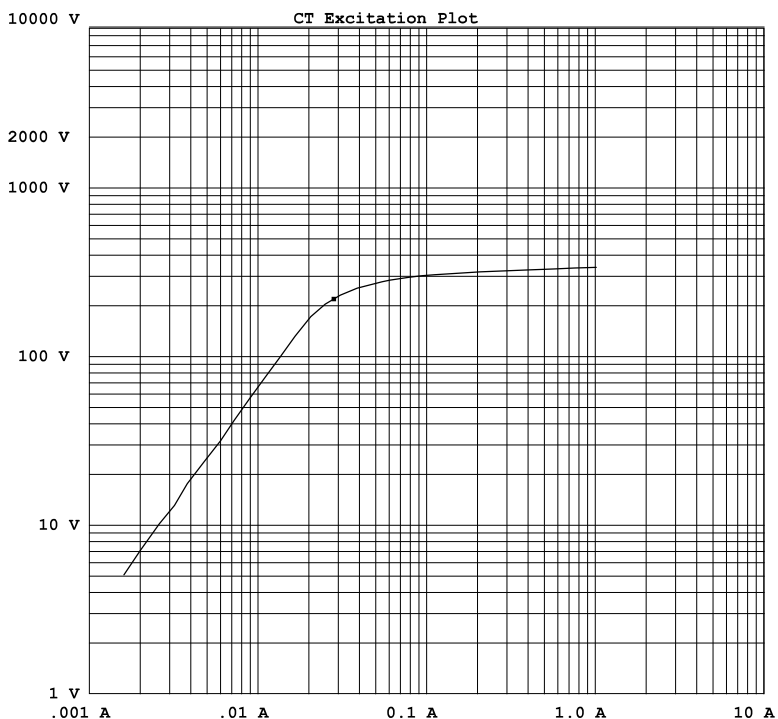


FILENAME: Piapot C Phase.plan
DATE: 07/28/20 09:07:36
COMPANY: TC Energy
STATION: Paipot
CIRCUIT: Metering Cabinet C P

MFR: GE
MODEL: JCM-4
SN: 7561114
OPERATOR: BH
COMMENTS:

TEST # 1: X3-X4
TEST NOTES: Megger Test: >2.2G O
KNEE TYPE: IEEE 30 Deg
FREQUENCY: 60 Hz

Table with 6 columns: IEEE 30, IEEE 45, IEC 10/50, NP-RATIO: 2000/5.0, Ex V[Volts]: 152.400, Phase Angle:0.08°. Rows include Vkp[Amps], Ikp[Amps], and % ERROR.



CT DATA POINTS

Table with 12 columns: POINT, CUR(A), VTG(V), Z(OHM). Contains two sets of data points for CT excitation.

GRAPH POINTS

Table with 8 columns: POINT, CUR(A), VTG(V), Z(OHM). Contains 11 data points for graph excitation.



FILENAME: Piapot C Phase.plan
DATE: 07/28/20 09:07:36
COMPANY: TC Energy
STATION: Paipot
CIRCUIT: Metering Cabinet C P

MFR: GE
MODEL: JCM-4
SN: 7561114
OPERATOR: BH
COMMENTS:

TEST # 1: X3-X4
TEST NOTES: Megger Test: >2.2G O
KNEE TYPE: IEEE 30 Deg
FREQUENCY: 60 Hz

Table with 6 columns: IEEE 30, IEEE 45, IEC 10/50, NP-RATIO: 2000/5.0, Ex V [Volts]: 152.400, Phase Angle: 0.08°. Rows include Vkp [Volts], Ikp [Amps], and % ERROR.

CT DATA POINTS

Table with 12 columns: POINT, CUR (A), VTG (V), Z (OHM), POINT, CUR (A), VTG (V), Z (OHM), POINT, CUR (A), VTG (V), Z (OHM). Contains 13 data points.

RCF(10%)=N/A, RCF(100%)=N/A

Class B-0.1 Metering N/A Bmag=0.10, Br=0.09, Bi=0.04, Btot=0.873, Vsec(10%)=0.437, Vsec(100%)=4.366
Interpolated 100% Point not found. Point#1=not found, Point#2=found
Interpolated 10% Point not found. Point#1=not found, Point#2=found

RCF(10%)=N/A, RCF(100%)=N/A

Class B-0.2 Metering N/A Bmag=0.20, Br=0.18, Bi=0.09, Btot=0.966, Vsec(10%)=0.483, Vsec(100%)=4.830
Interpolated 100% Point not found. Point#1=not found, Point#2=found
Interpolated 10% Point not found. Point#1=not found, Point#2=found

RCF(10%)=N/A, RCF(100%)=1.000

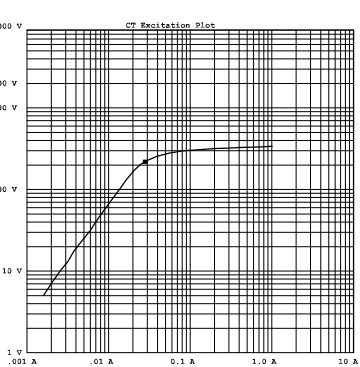
Class B-0.5 Metering N/A Bmag=0.50, Br=0.45, Bi=0.22, Btot=1.251, Vsec(10%)=0.626, Vsec(100%)=6.256
Interpolated 100% vsec 6.256 (VtgPt1 5.08 VtgPt2 7.08) (Ipt1 0.0016 Ipt2 0.0020) I 0.0018 (PhsPt1 0.00 PhsPt2 0.00 Phs 0.00)
Interpolated 10% Point not found. Point#1=not found, Point#2=found

RCF(10%)=N/A, RCF(100%)=1.000

Class B-0.9 Metering N/A Bmag=1.00, Br=0.90, Bi=0.44, Btot=1.738, Vsec(10%)=0.869, Vsec(100%)=8.688
Interpolated 100% vsec 8.688 (VtgPt1 7.08 VtgPt2 10.24) (Ipt1 0.0020 Ipt2 0.0026) I 0.0023 (PhsPt1 0.00 PhsPt2 0.00 Phs 0.00)
Interpolated 10% Point not found. Point#1=not found, Point#2=found

RCF(10%)=N/A, RCF(100%)=1.000

Class B-1.8 Metering N/A Bmag=2.00, Br=1.80, Bi=0.87, Btot=2.725, Vsec(10%)=1.363, Vsec(100%)=13.626
Interpolated 100% vsec 13.626 (VtgPt1 13.12 VtgPt2 17.68) (Ipt1 0.0032 Ipt2 0.0038) I 0.0033 (PhsPt1 0.00 PhsPt2 0.00 Phs 0.00)
Interpolated 10% Point not found. Point#1=not found, Point#2=found





FILENAME: Piapot C Phase.plan
DATE: 07/28/20 09:07:36
COMPANY: TC Energy
STATION: Paipot
CIRCUIT: Metering Cabinet C P

MFR: GE
MODEL: JCM-4
SN: 7561114
OPERATOR: BH
COMMENTS:

SUMMARY REPORT
KNEE TYPE: IEEE 30 Deg
FREQUENCY: 60 Hz

Test	Tap	IEEE30 (V/I)	IEEE45 (V/I)	IEC 10/50 (V/I)	NP-Ratio	M-Ratio	% Error	Phase Angle	Winding Res
8	X3-X4	219.20/0.0282	176.04/0.0210	255.52/0.0390	2000/5.0	399.928	0.018 %	0.08° [In Ø]	655.70 m-ohms

Test Notepad

Summary Metering Class CT Report
Test terminals: X3-X4

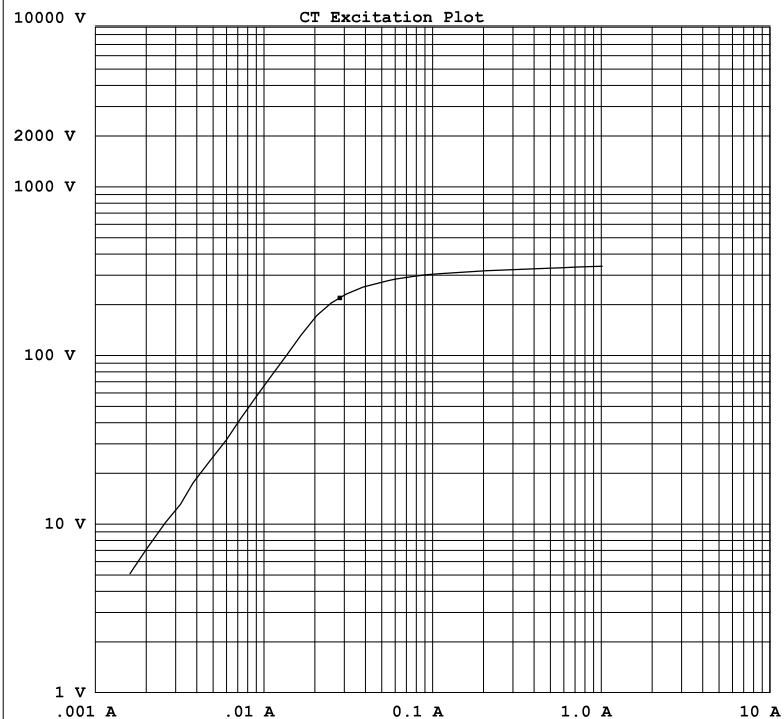
Accuracy Class: N/A B-0.1
RCF(10%)=N/A, RCF(100%)=N/A

Accuracy Class: N/A B-0.2
RCF(10%)=N/A, RCF(100%)=N/A

Accuracy Class: N/A B-0.5
RCF(10%)=N/A, RCF(100%)=1.000

Accuracy Class: N/A B-0.9
RCF(10%)=N/A, RCF(100%)=1.000

Accuracy Class: N/A B-1.8
RCF(10%)=N/A, RCF(100%)=1.000





FILENAME: Piapot C Phase.plan
DATE: 07/28/20 09:07:36
COMPANY: TC Energy
STATION: Paipot
CIRCUIT: Metering Cabinet C P

MFR: GE
MODEL: JCM-4
SN: 7561114
OPERATOR: BH
COMMENTS:

TEST PLAN
TEST NOTES: Megger Test: >2.2G O
KNEE TYPE: IEEE 30 Deg
FREQUENCY: 60 Hz

	Nameplate Ratio	Ratio Test	Excitation Test	Winding Res Test	Excitation Voltage (V)	Excitation Current (A)	Note
X3-X4	2000/5.0	[X]	[X]	[X]	300.00	1.00	Megger Test: >2.2G O
Burden Test	[]						
Insulation Test	[]						



- Insulation test completed with Megger
- Burden test results found in "Test Sheets" section of report

Test Sheets – Inspection & Test Plan



3 PHASE, DRY TYPE TRANSFORMERS ELECTRICAL TESTING



CUSTOMER TC Energy
 USER TC Energy
 ADDRESS _____
 PLANT Piapot
 PLANT AREA Piapot
 EQUIPMENT ID A PHASE CT

PAGE 1 OF 1
 JOB # 20-T262-1082
 TESTED BY BH/TS
DD / MM / YYYY
 DATE 29/07/2020
 TEMP. 25 °C HUMIDITY 75 %

NAMEPLATE DATA

MANUFACTURER _____ GE SERIAL NO. 7561123

WINDING TEMPERATURE _____ °C

DISSIPATION TCF _____

TRANSFORMER CAPACITANCE & DISSIPATION FACTOR TESTS

TEST #	MEASUREMENT	TEST MODE	CAPACITANCE (pF)	% DISSIPATION FACTOR	
1	$C_{HG} + C_{HL}$	GST GND	454	0.403	
2	C_{HG}	GST	377	0.416	
3	C_{HL}	UST	78	0.43	
4	CHECK (TEST 1 MINUS 2)	-	77	-	-
5	$C_{LG} + C_{HL}$	GST GND	590	0.721	
6	C_{LG}	GST	510	0.676	
7	C_{LH}	UST	78	0.43	
8	CHECK (TEST 5 MINUS 6)	-	80	-	-

COMMENTS:

DEFICIENCIES:

TEST EQUIPMENT USED RF 27



3 PHASE, DRY TYPE TRANSFORMERS ELECTRICAL TESTING



CUSTOMER TC Energy
 USER TC Energy
 ADDRESS _____
 PLANT Piapot
 PLANT AREA Piapot
 EQUIPMENT ID B PHASE CT

PAGE 1 OF 1
 JOB # 20-T262-1082
 TESTED BY BH/TS
DD / MM / YYYY
 DATE 29/07/2020
 TEMP. 25 °C HUMIDITY 75 %

NAMEPLATE DATA

MANUFACTURER _____ GE SERIAL NO. 7561120

WINDING TEMPERATURE _____ °C

DISSIPATION TCF _____

TRANSFORMER CAPACITANCE & DISSIPATION FACTOR TESTS

TEST #	MEASUREMENT	TEST MODE	CAPACITANCE (pF)	% DISSIPATION FACTOR	
1	$C_{HG} + C_{HL}$	GST GND	393	0.566	
2	C_{HG}	GST	314	0.428	
3	C_{HL}	UST	79	0.25	
4	CHECK (TEST 1 MINUS 2)	-	79	-	-
5	$C_{LG} + C_{HL}$	GST GND	595	0.59	
6	C_{LG}	GST	517	0.6	
7	C_{LH}	UST	79	0.25	
8	CHECK (TEST 5 MINUS 6)	-	78	-	-

COMMENTS:

DEFICIENCIES:

TEST EQUIPMENT USED RF 27



3 PHASE, DRY TYPE TRANSFORMERS ELECTRICAL TESTING



CUSTOMER TC Energy
 USER TC Energy
 ADDRESS _____
 PLANT Piapot
 PLANT AREA Piapot
 EQUIPMENT ID C PHASE CT

PAGE 1 OF 1
 JOB # 20-T262-1082
 TESTED BY BH/TS
DD / MM / YYYY
 DATE 29/07/2020
 TEMP. 25 °C HUMIDITY 75 %

NAMEPLATE DATA

MANUFACTURER _____ GE SERIAL NO. 7561114

WINDING TEMPERATURE _____ °C

DISSIPATION TCF _____

TRANSFORMER CAPACITANCE & DISSIPATION FACTOR TESTS

TEST #	MEASUREMENT	TEST MODE	CAPACITANCE (pF)	% DISSIPATION FACTOR	
1	$C_{HG} + C_{HL}$	GST GND	394	0.478	
2	C_{HG}	GST	315	0.419	
3	C_{HL}	UST	79	0.38	
4	CHECK (TEST 1 MINUS 2)	-	79	-	-
5	$C_{LG} + C_{HL}$	GST GND	582	0.618	
6	C_{LG}	GST	502	0.260	
7	C_{LH}	UST	79	0.38	
8	CHECK (TEST 5 MINUS 6)	-	80	-	-

COMMENTS:

DEFICIENCIES:

TEST EQUIPMENT USED RF 27



GENERAL TEST FORM



CUSTOMER TC Energy
 USER TC Energy
 ADDRESS _____
 PLANT Piapot
 PLANT AREA Piapot
 EQUIPMENT ID METERING CABINET CT BURDEN TESTING

PAGE 1 OF 1
 JOB # 20-T262-1082
 TESTED BY BH/TS
DD / MM / YYYY
 DATE 29/07/2020
 TEMP. 25 °C HUMIDITY 75 %

CT BURDEN TEST:

A PHASE (1A INJECTED ON CT SECONDARY):

X1- 24.1mv
 LINE SIDE OF FORK TERMINAL- 14.1mv
 LOAD SIDE OF FORK TERMINAL- 13.8mv
 LINE SIDE OF METER 1- 11.4mv
 LOAD SIDE OF METER 1- 11.1mv
 LINE SIDE OF METER 2- 5mv
 LOAD SIDE OF METER 2- 4.8mv
 LINE SIDE OF NEUTRAL FORK TERMINAL- 2.4mv
 LOAD SIDE OF NEUTRAL FORK TERMINAL- 2.1mv
 X2- 39.6mv

B PHASE (1A INJECTED ON CT SECONDARY):

X1- 27.4mv
 LINE SIDE OF FORK TERMINAL- 14mv
 LOAD SIDE OF FORK TERMINAL- 13.6mv
 LINE SIDE OF METER 1- 11.2mv
 LOAD SIDE OF METER 1- 11mv
 LINE SIDE OF METER 2- 5mv
 LOAD SIDE OF METER 2- 4.5mv
 LINE SIDE OF NEUTRAL FORK TERMINAL- 3.2mv
 LOAD SIDE OF NEUTRAL FORK TERMINAL- 2.1mv
 X2- 39.6mv

C PHASE (1A INJECTED ON CT SECONDARY):

X1- 28.5mv
 LINE SIDE OF FORK TERMINAL- 14.2mv
 LOAD SIDE OF FORK TERMINAL- 13.9mv
 LINE SIDE OF METER 1- 11.5mv
 LOAD SIDE OF METER 1- 11.3mv
 LINE SIDE OF METER 2- 5.4mv
 LOAD SIDE OF METER 2- 5.1mv
 LINE SIDE OF NEUTRAL FORK TERMINAL- 3.2mv
 LOAD SIDE OF NEUTRAL FORK TERMINAL- 2.1mv
 X2- 39.6mv

COMMENTS: _____
 DEFICIENCIES: _____

TEST EQUIPMENT USED RF73



VOLTAGE TRANSFORMERS VISUAL & MECHANICAL INSPECTION



CUSTOMER TC Energy
 USER TC Energy
 ADDRESS _____
 PLANT Piapot
 PLANT AREA Piapot
 EQUIPMENT ID METERING CABINET

PAGE 1 OF 2
 JOB # 20-T262-1082
 TESTED BY BH/TS
DD / MM / YYYY
 DATE 29/07/2020
 TEMP. 25 °C HUMIDITY 75 %

NAMEPLATE DATA

MANUFACTURER ABB CATALOG NO. AE-1407 TYPE VIZ-75 NAMEPLATE RATIO 4200 : 120
 PRIMARY VOLTAGE 4,200 SECONDARY VOLTAGE 120 KVA 1.5 CLASS 8.7kV
 ADDITIONAL _____
 PRIMARY FUSE: MANUFACTURER EATON TYPE 15CLPT SIZE 0.5A
 SECONDARY FUSE: MANUFACTURER N/A TYPE _____ SIZE _____

DESCRIPTION	INSPECTED	N/A	COMMENTS
* VT DATA COMPARES WITH DRAWINGS & SPECIFICATIONS	<input checked="" type="checkbox"/>	<input type="checkbox"/>	GOOD, VERIFIED
PHYSICAL & MECHANICAL CONDITION	<input checked="" type="checkbox"/>	<input type="checkbox"/>	GOOD CONDITION
CORRECT CONNECTION WITH SYSTEM REQUIREMENTS	<input checked="" type="checkbox"/>	<input type="checkbox"/>	GOOD
* CLEARANCES BETWEEN PRIMARY & SECONDARY CIRCUIT WIRING	<input checked="" type="checkbox"/>	<input type="checkbox"/>	GOOD
CLEANLINESS	<input checked="" type="checkbox"/>	<input type="checkbox"/>	FOUND CLEAN
GROUNDING & SHORTING CONNECTIONS	<input checked="" type="checkbox"/>	<input type="checkbox"/>	GOOD, GROUNDING VERIFIED
WITHDRAWAL MECHANISM & GROUNDING OPERATION	<input checked="" type="checkbox"/>	<input type="checkbox"/>	GOOD, MECHANISM WAS LUBED
CORRECT FUSE SIZES	<input checked="" type="checkbox"/>	<input type="checkbox"/>	GOOD, VERIFIED
LUBRICATION	<input checked="" type="checkbox"/>	<input type="checkbox"/>	GOOD, PT STABS LUBED
POTENTIAL CIRCUITS ARE GROUNDED WITH ONLY ONE GROUNDING POINT	<input checked="" type="checkbox"/>	<input type="checkbox"/>	GOOD, VERIFIED

* ACCEPTANCE TESTING ONLY

ELECTRICAL CONNECTIONS VERIFIED BY: CONNECTION TIGHTNESS THERMOGRAPHIC SURVEY MEASURED RESISTANCE

COMMENTS:
 DEFICIENCIES:

TEST EQUIPMENT USED _____



VOLTAGE TRANSFORMERS ELECTRICAL TESTS



CUSTOMER TC Energy
 USER TC Energy
 ADDRESS _____
 PLANT Piapot
 PLANT AREA Piapot
 EQUIPMENT ID METERING CABINET

PAGE 2 OF 2
 JOB # 20-T262-1082
 TESTED BY BH/TS
 DATE 29/07/2020
 TEMP. 25 °C HUMIDITY 75 %

NAMEPLATE DATA

MANUFACTURER _____ ABB

VT CONNECTION: 1 PHASE 3 PHASE PRIMARY: WYE DELTA OPEN DELTA SECONDARY WYE DELTA OPEN DELTA

EQUIP. TEMPERATURE 20 °C Indicates Temperature Corrected Reading to 20°C INSULATION TCF 1

VT IDENTIFICATION _____ A PHASE

SERIAL NUMBER _____ 11316710

URNS RATIO TEST

TAP POSITION	PRIMARY VOLTAGE	SECONDARY VOLTAGE	CALCULATED RATIO	MEASURED RATIO
-	4,200	120	35	34.985

INSULATION TESTS

PRIMARY - SECONDARY	PRIMARY - GROUND	SECONDARY - GROUND
5 KV	5 KV	0.5 KV
546,200 MEG OHMS	445,200 MEG OHMS	550 MEG OHMS
546,200 MEG OHMS	445,200 MEG OHMS	550 MEG OHMS

POLARITY

VT IDENTIFICATION _____ B PHASE

SERIAL NUMBER _____ 11316714

URNS RATIO TEST

TAP POSITION	PRIMARY VOLTAGE	SECONDARY VOLTAGE	CALCULATED RATIO	MEASURED RATIO
-	4,200	120	35	34.988

INSULATION TESTS

PRIMARY - SECONDARY	PRIMARY - GROUND	SECONDARY - GROUND
5 KV	5 KV	0.5 KV
321,500 MEG OHMS	296,500 MEG OHMS	550 MEG OHMS
321,500 MEG OHMS	296,500 MEG OHMS	550 MEG OHMS

POLARITY

VT IDENTIFICATION _____ C PHASE

SERIAL NUMBER _____ 11316721

URNS RATIO TEST

TAP POSITION	PRIMARY VOLTAGE	SECONDARY VOLTAGE	CALCULATED RATIO	MEASURED RATIO
-	4,200	120	35	34.989

INSULATION TESTS

PRIMARY - SECONDARY	PRIMARY - GROUND	SECONDARY - GROUND
5 KV	5 KV	0.5 KV
542,600 MEG OHMS	356,200 MEG OHMS	550 MEG OHMS
542,600 MEG OHMS	356,200 MEG OHMS	550 MEG OHMS

POLARITY

COMMENTS:

DEFICIENCIES:

TEST EQUIPMENT USED RF27, RF69



GENERAL TEST FORM



CUSTOMER TC Energy
 USER TC Energy
 ADDRESS _____
 PLANT Piapot
 PLANT AREA Piapot
 EQUIPMENT ID METERING CABINET PT BURDEN TESTING

PAGE 1 OF 1
 JOB # 20-T262-1082
 TESTED BY BH/TS
DD / MM / YYYY
 DATE 29/07/2020
 TEMP. 25 °C HUMIDITY 75 %

PT BURDEN TEST:

A PHASE:

X1-LINE SIDE OF FORK TERMINAL: 0.2 OHMS
 LINE SIDE OF FORK TERMINAL-LOAD SIDE OF FORK TERMINAL: 0.2 OHMS
 LOAD SIDE OF FORK TERMINAL-LINE SIDE OF METER 1: 0.2 OHMS
 LOAD SIDE OF FORK TERMINAL-LINE SIDE OF METER 2: 0.2 OHMS

B PHASE:

X2-LINE SIDE OF FORK TERMINAL: 0.2 OHMS
 LINE SIDE OF FORK TERMINAL-LOAD SIDE OF FORK TERMINAL: 0.2 OHMS
 LOAD SIDE OF FORK TERMINAL-LINE SIDE OF METER 1: 0.2 OHMS
 LOAD SIDE OF FORK TERMINAL-LINE SIDE OF METER 2: 0.2 OHMS

C PHASE:

X3-LINE SIDE OF FORK TERMINAL: 0.2 OHMS
 LINE SIDE OF FORK TERMINAL-LOAD SIDE OF FORK TERMINAL: 0.2 OHMS
 LOAD SIDE OF FORK TERMINAL-LINE SIDE OF METER 1: 0.2 OHMS
 LOAD SIDE OF FORK TERMINAL-LINE SIDE OF METER 2: 0.2 OHMS

NEUTRAL:

LOAD SIDE OF METER 1-LINE SIDE OF NEUTRAL FORK TERMINAL: 0.2 OHMS
 LOAD SIDE OF METER 2-LINE SIDE OF NEUTRAL FORK TERMINAL: 0.2 OHMS
 LINE SIDE OF NEUTRAL FORK TERMINAL-LOAD SIDE OF NEUTRAL FORK TERMINAL: 0.2 OHMS
 LOAD SIDE OF NEUTRAL FORK TERMINAL-X0: 0.2 OHMS

COMMENTS: _____

DEFICIENCIES: _____

TEST EQUIPMENT USED _____



SWITCHGEAR AND SWITCHBOARD ASSEMBLIES VISUAL & MECHANICAL INSPECTION



CUSTOMER TC Energy
 USER TC Energy
 ADDRESS _____
 PLANT Piapot
 PLANT AREA Piapot
 EQUIPMENT ID METERING CABINET

PAGE 1 OF 2
 JOB # 20-T262-1082
 TESTED BY BH/TS
DD / MM / YYYY
 DATE 28/07/2020
 TEMP. 25 °C HUMIDITY 75 %

NAMEPLATE DATA

MANUFACTURER MEC RATED AMPS 3000A TYPE NL
 SERIAL NO. 12476-01 RATED VOLTS 6900V WITHSTAND RATING (kA) NL
 CATALOG NO. 25472-101-3PS-3M00-W0001 ADDITIONAL NAMEPLATE _____

DESCRIPTION	INSPECTED	N/A	COMMENTS
* SWITCHGEAR DATA COMPARES WITH DRAWINGS & SPECIFICATIONS	<input checked="" type="checkbox"/>	<input type="checkbox"/>	GOOD, VERIFIED
PHYSICAL & MECHANICAL CONDITION	<input checked="" type="checkbox"/>	<input type="checkbox"/>	GOOD CONDITION
ANCHORAGE & ALIGNMENT	<input checked="" type="checkbox"/>	<input type="checkbox"/>	GOOD
GROUNDING	<input checked="" type="checkbox"/>	<input type="checkbox"/>	GOOD, GROUNDING VERIFIED
REQUIRED CLEARANCES	<input checked="" type="checkbox"/>	<input type="checkbox"/>	GOOD
CLEANLINESS	<input checked="" type="checkbox"/>	<input type="checkbox"/>	FOUND CLEAN
FUSE & BREAKER SIZE CORRESPOND W/ DRAWINGS	<input checked="" type="checkbox"/>	<input type="checkbox"/>	GOOD, VERIFIED
CT'S & PT'S CORRESPOND W/ DRAWINGS	<input checked="" type="checkbox"/>	<input type="checkbox"/>	GOOD, VERIFIED
OPERATION & SEQUENCE OF INTERLOCKS	<input checked="" type="checkbox"/>	<input type="checkbox"/>	GOOD, KIRK KEYS OPERATE PROPERLY
LUBRICATION	<input checked="" type="checkbox"/>	<input type="checkbox"/>	GOOD, PT STABS LUBED
INSULATORS	<input checked="" type="checkbox"/>	<input type="checkbox"/>	GOOD
BARRIER & SHUTTER INSTALLATION / OPERATION	<input checked="" type="checkbox"/>	<input type="checkbox"/>	GOOD
ACTIVE COMPONENTS & INDICATING DEVICES	<input type="checkbox"/>	<input checked="" type="checkbox"/>	NO METERS INSTALLED
FILTERS AND VENTS	<input checked="" type="checkbox"/>	<input type="checkbox"/>	GOOD, DOOR SEALS IN TACT
INSTRUMENT TRANSFORMERS	<input checked="" type="checkbox"/>	<input type="checkbox"/>	GOOD
CONTROL POWER TRANSFORMERS	<input checked="" type="checkbox"/>	<input type="checkbox"/>	GOOD
HEATERS	<input checked="" type="checkbox"/>	<input type="checkbox"/>	GOOD, TESTED
PHASING (DOUBLE-ENDED OR DUAL SOURCE S/G)	<input checked="" type="checkbox"/>	<input type="checkbox"/>	GOOD

* ACCEPTANCE TESTING ONLY

ELECTRICAL CONNECTIONS VERIFIED BY: CONNECTION TIGHTNESS THERMOGRAPHIC SURVEY MEASURED RESISTANCE

COMMENTS:
 DEFICIENCIES:

TEST EQUIPMENT USED _____



SWITCHGEAR AND SWITCHBOARD ASSEMBLIES ELECTRICAL TESTING



CUSTOMER TC Energy
 USER TC Energy
 ADDRESS _____
 PLANT Piapot
 PLANT AREA Piapot
 EQUIPMENT ID METERING CABINET

PAGE 2 OF 2
 JOB # 20-T262-1082
 TESTED BY BH/TS
 DATE 28/07/2020
 TEMP. 25 °C HUMIDITY 75 %

NAMEPLATE DATA

MANUFACTURER _____ MEC SERIAL NO. 12476-01

EQUIP. TEMPERATURE 20 °C Indicates Temperature Corrected Reading to 20°C

BOLTED CONNECTION RESISTANCE MICRO-OHMS MILLI-OHMS RESISTANCE TCF 1

FROM	TO	PHASE A	PHASE B	PHASE C	NEUTRAL	GROUND
OUTGOING CONNECTION	TOP OF BUS BRAID	13	10	10		
		13	10	10		
OUTGOING CONNECTION	BOTTOM OF BUS BRAID	23	18	16		
		23	18	16		
OUTGOING CONNECTION	LINE SIDE CT	34	28	24		
		34	28	24		
OUTGOING CONNECTION	LOAD SIDE CT	43	38	35		
		43	38	35		
OUTGOING CONNECTION	BOLTED CONNECTION	66	55	41		
		66	55	41		
OUTGOING CONNECTION	BACK OF INCOMING CONNECTION	70	58	49		
		70	58	49		
OUTGOING CONNECTION	INCOMING CONNECTION	85	74	66		
		85	74	66		
OUTGOING CONNECTION CELL	INCOMING CONNECTION CELL					183
						183

OVERPOTENTIAL TESTS MEG-OHMS MICRO-AMPS INSULATION TCF 1

BUS SECTION TESTED	KV	TIME (min)	A-GND	B-GND	C-GND	N-GND
ALL BUS	21	1	3.87	4.42	4.94	
			3.87	4.42	4.94	

COMMENTS:

DEFICIENCIES:

TEST EQUIPMENT USED RF7, RF54

Test Equipment - Calibration Certificates



Certificate of Calibration

The CAT Rental Store
Wirtanen Division
10235 - 180 Street Edmonton, AB T5L 3B2
PHONE: (780) 434-8421
www.catrents.ca



For Instrument : Raytech TR-MarkIII
Description : Transformer Turns Ratiometer
Serial Number : 341139
Asset Number : RF 22

Customer: Shermco - Regina
1033 Kearns Cres.
Regina, SK
S4P 3B2

The CAT Rental Store certifies that the above listed instrument meets or exceeds all specifications as stated in the referenced procedure (unless otherwise noted). It has been calibrated using measurement standards traceable to the National Research Council of Canada (NRC) or the National Institute of Standards and Technology (NIST), or to NIST accepted intrinsic standards of measurement, or derived by the ratio type of self-calibration techniques.

This report may not be reproduced, except in full, unless permission for the publication of an approved abstract is obtained in writing from the calibration organization issuing this report.

Quality Management system registered to ISO 9001: 2015

CALIBRATION INFORMATION

Cal Date: 2 Aug 2019 Temperature 20.0°C Condition as Received/Returned: IN TOLERANCE
Next Cal Due: 2 Aug 2020 Humidity 40 % (Pass)
Remarks:
Cal Procedure Raytech TR-Mark III Transformer Turns Ratiometer Revision 1.0

STANDARDS USED FOR CALIBRATION

Asset Number	Description	Cal Date	Due Date
88990	Megger 550555 Calibrator	11 Feb 2019	11 Feb 2020



Signed: _____

Edwin Zhang - Technician

SERIAL NUMBER: 341139

ASSET NUMBER: RF 22

Report of Calibration

The CAT Rental Store
 Wirtanen Division
 10235 - 180 Street Edmonton, AB T5L 3B2
 PHONE: (780) 434-8421
 www.catrents.ca

UNIT UNDER TEST:	Raytech TR-MarkIII Transformer Turns Ratiometer	TEST RESULT:	PASS
SERIAL NUMBER:	341139	PERFORMED ON:	02 August 2019
ASSET NUMBER:	RF 22	DATA TYPE:	FOUND-LEFT
PROCEDURE NAME:	Raytech TR-Mark III Transformer Turns Ratiometer	TEMPERATURE:	20.00 °C
PROCEDURE REV.:	1.0	HUMIDITY:	40 %
CALIBRATED BY:	Edwin Zhang		
P.O. NUMBER:			
CUSTOMER:	Shermco - Regina 1033 Kearns Cres. Regina, SK S4P 3B2		

The CAT Rental Store certifies that the above listed instrument meets or exceeds all specifications as stated in the referenced procedure unless otherwise noted. It has been calibrated using measurement standards traceable to the National Institute of Standards and Technology (NIST), or to NIST accepted intrinsic standards of measurement, or derived by the ratio type of self-calibration techniques.

This report may not be reproduced, except in full, unless permission for the publication of an approved abstract is obtained in writing from the calibration organization issuing this report.

Note: Any Test Uncertainty Ratio (TUR) that is less than four to one will appear under the "TUR" heading on the data record. If the TUR meets or exceeds four to one, the field is left blank.

REMARKS:

Standards Used

Asset #	Description	Cal Date	Due Date
88990	Megger 550555 Calibrator	2/11/2019	2/11/2020

Test Results


Test Description	True Value	Test Result	Lower limit	Upper limit	Units	TUR
10V	1.0000	1.0000	0.9983	1.0017	Ratio	Pass
	2.0000	2.0008	1.9968	2.0032	Ratio	Pass
	5.0000	5.0020	4.9923	5.0077	Ratio	Pass
	10.000	10.007	9.983	10.017	Ratio	Pass
	20.000	20.018	19.968	20.032	Ratio	Pass
	50.000	50.040	49.923	50.077	Ratio	Pass
	100.00	100.07	99.83	100.17	Ratio	Pass
	200.00	200.06	199.68	200.32	Ratio	Pass
	500.00	500.20	499.23	500.77	Ratio	Pass
	1000.0	1000.1	998.3	1001.7	Ratio	Pass
	2000.0	1998.7	1996.8	2003.2	Ratio	Pass
40V	1.0000	0.9999	0.9993	1.0007	Ratio	Pass
	2.0000	2.0008	1.9987	2.0013	Ratio	Pass

Test Results

<u>Test Description</u>	<u>True Value</u>	<u>Test Result</u>	<u>Lower limit</u>	<u>Upper limit</u>	<u>Units</u>	<u>TUR</u>
	5.0000	5.0025	4.9969	5.0031	Ratio	Pass
	10.000	10.004	9.993	10.007	Ratio	Pass
	20.000	20.008	19.987	20.013	Ratio	Pass
	50.000	50.030	49.969	50.031	Ratio	Pass
	100.00	100.05	99.93	100.07	Ratio	Pass
	200.00	200.12	199.87	200.13	Ratio	Pass
	500.00	500.25	499.69	500.31	Ratio	Pass
	1000.0	1000.4	999.3	1000.7	Ratio	Pass
	2000.0	2000.8	1998.7	2001.3	Ratio	Pass
Phase						
1.5		1.67				
-1.5		-1.46				

***** End of Certificate *****

Technician



Edwin Zhang - Technician



Certificate of Calibration

The CAT Rental Store
Wirtanen Division
10235 - 180 Street Edmonton, AB T5L 3B2
PHONE: (780) 434-8421
www.catrents.ca



For Instrument : MULTI-AMP CB100
Description : C&DF BRIDGE
Serial Number : 41030502
Asset Number : RF 27

Customer: Shermco - Regina
1033 Kearns Cres.
Regina, SK
S4P 3B2

The CAT Rental Store certifies that the above listed instrument meets or exceeds all specifications as stated in the referenced procedure (unless otherwise noted). It has been calibrated using measurement standards traceable to the National Research Council of Canada (NRC) or the National Institute of Standards and Technology (NIST), or to NIST accepted intrinsic standards of measurement, or derived by the ratio type of self-calibration techniques.

This report may not be reproduced, except in full, unless permission for the publication of an approved abstract is obtained in writing from the calibration organization issuing this report.

Quality Management system registered to ISO 9001: 2015

CALIBRATION INFORMATION

Cal Date: 9 Jun 2020 Temperature 20.2°C Condition as Received/Returned: IN TOLERANCE
Next Cal Due: 9 Jun 2021 Humidity 41 % (Pass)
Remarks:
Cal Procedure CB100 Revision 1.0

STANDARDS USED FOR CALIBRATION

Asset Number	Description	Cal Date	Due Date
IW3240	GenRad 1433 Decade Box	24 Jun 2019	24 Jun 2020
STDCAP 1	GENERAL RADIO 1401-D STANDARD AIR CAPACITOR	05 Jul 2019	05 Jul 2020
WECO CAPI	IET 1423 Precision Capacitance Decade	21 Feb 2020	21 Feb 2021



Signed: _____

Justin Smith - Technician

SERIAL NUMBER: 41030502

ASSET NUMBER: RF 27

Report of Calibration

The CAT Rental Store
Wirtanen Division
10235 - 180 Street Edmonton, AB T5L 3B2
PHONE: (780) 434-8421
www.catrents.ca

UNIT UNDER TEST:	MULTI-AMP CB100 C&DF BRIDGE	TEST RESULT:	PASS
SERIAL NUMBER:	41030502	PERFORMED ON:	09 June 2020
ASSET NUMBER:	RF 27	DATA TYPE:	FOUND-LEFT
PROCEDURE NAME:	CB100	TEMPERATURE:	20.20 °C
PROCEDURE REV.:	1.0	HUMIDITY:	41 %
CALIBRATED BY:	Justin Smith		
P.O. NUMBER:			
CUSTOMER:	Shermco - Regina 1033 Kearns Cres. Regina, SK S4P 3B2		

The CAT Rental Store certifies that the above listed instrument meets or exceeds all specifications as stated in the referenced procedure unless otherwise noted. It has been calibrated using measurement standards traceable to the National Institute of Standards and Technology (NIST), or to NIST accepted intrinsic standards of measurement, or derived by the ratio type of self-calibration techniques.

This report may not be reproduced, except in full, unless permission for the publication of an approved abstract is obtained in writing from the calibration organization issuing this report.

Note: Any Test Uncertainty Ratio (TUR) that is less than four to one will appear under the "TUR" heading on the data record. If the TUR meets or exceeds four to one, the field is left blank.

REMARKS:

Standards Used

<u>Asset #</u>	<u>Description</u>	<u>Cal Date</u>	<u>Due Date</u>
IW3240	GenRad 1433 Decade Box	6/24/2019	6/24/2020
STDCAP 1	GENERAL RADIO 1401-D STANDARD AIR CAPACITOR	7/5/2019	7/5/2020
WECO CAPI	IET 1423 Precision Capacitance Decade	2/21/2020	2/21/2021

Test Results

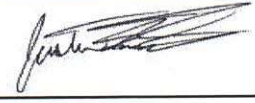
<u>Test Description</u>	<u>True Value</u>	<u>Test Result</u>	<u>Lower limit</u>	<u>Upper limit</u>	<u>Units</u>	<u>TUR</u>
Capacitance Reading						
1000.0pF UST						
100pF mult	1000	998.7	993.0	1007.0	pF	Pass
200pF mult	1000	1000.4	993.0	1007.0	pF	Pass
500pF mult	1000	1005.0	993.0	1007.0	pF	Pass
0.001uF mult	1000	1001.3	993.0	1007.0	pF	Pass
100.0pF UST						
20pF mult	100.00	100.28	95.75	104.25	pF	Pass
50pF mult	100.00	101.20	95.75	104.25	pF	Pass
100pF mult	100.00	101.90	95.75	104.25	pF	Pass
DF Reading						
0-1% range UST 10kohm	0.63	0.659	0.600	0.660	%	Pass
0-10% range UST 50kohm	3.15	3.22	2.85	3.45	%	Pass

Test Results

<u>Test Description</u>	<u>True Value</u>	<u>Test Result</u>	<u>Lower limit</u>	<u>Upper limit</u>	<u>Units</u>	<u>TUR</u>
0-10% range UST 100kohm	6.3	6.40	6.00	6.60	%	Pass
0-20% range UST 200kohm	12.5	12.86	12.00	13.00	%	Pass
20-30% range UST 400k	25.00	25.58	23.50	26.50	%	Pass

***** End of Certificate *****

Technician



Justin Smith - Technician

Shermco
RF 73



OMICRON electronics Corp USA
60 Hickory Drive
02451 Waltham MA
1-800 OMICRON
info.usa@omicron.at
www.omicronenergy.com

Certificate of Calibration and Conformance



Conformance

OMICRON electronics Corp USA certifies that the product detailed below (CMC 356, FC578K) has been tested and calibrated using adequate test equipment and appropriate test procedures as specified by OMICRON electronics GmbH.
All necessary repairs were executed following repair instructions defined by OMICRON electronics GmbH using only original components.

We confirm that the product complies with all relevant specifications published in the original manual. It passed all executed tests successfully.

More detailed test data can be found on the enclosed documents.

Traceability Information

All accuracy relevant Test Equipment is traceable to national standards (ÖKD, DKD, NATA, NIST, NPL, PTB, BNM etc.). Some measurements are traceable to natural physical constants, consensus standards or ratio type measurements. Supporting documentation relative to traceability is available for review by appointment. This report shall not be reproduced, except in full, without prior written approval of the calibration facility.

Device Type	CMC 356
Serial Number	FC578K
Options	ELT1
Calibration Date	2019-12-27

Model	Manufacturer	Type	SerialNo	TraceNo	Calibrated Due
3458A	Agilent	DMM	MY45047610	12-054	2020-04-03
CNT-90	Pendulum	Counter	133754	10-135	2020-07-11
175H1	Testo	Climate	40384549	18-060	2021-05-24
1282-0.1	Burster	Shunt	372472	12-043	2020-09-06
1282-0.01	Burster	Shunt	376779	12-044	2020-09-09
OPM200	OMICRON	Phase Meter	12-004	12-004	2020-04-11
FCS Box	OMICRON	FCS Adapter		12-049	2020-04-11

Date of Issue
2019-12-27

Test Engineer
Carlos Carela
Carlos Carela

Calibration Report

General Information

Calibration Date: 2019-12-27
Object: CMC 356
Serial Number: FC578K
Options: ELT1
Manufacturer: OMICRON

Order No:
Customer: Shermco Industries Canada Inc.

Calibration Company: O M I C R O N electronics Corp USA
60 Hickory Drive
02451 Waltham MA
Test Engineer: Carlos Carela

Overall Result / Conformity

Specified Assessments: 418
Passed: 418
Failed: 0
Not Assessed: 0
Adjustment Recommended: 0

Procedure

Name: CMC356 Calibration
Field Calibration Software: 3.63
Calibration Script: 3.41
Comment:

Ambient Conditions

Temperature: 22.8 °C (73.0 °F) 23.0±3.0 °C (73.4±5.4 °F)
 Rel. Humidity: 33.7 % RH 45.0±25.0 % RH

Calibration Reference Equipment

Model	Manufacturer	Type	SerialNo	TraceNo	Calibrated Due
3458A	Agilent	DMM	MY45047610	12-054	2020-04-03
CNT-90	Pendulum	Counter	133754	10-135	2020-07-11
175H1	Testo	Climate	40384549	18-060	2021-05-24
1282-0.1	Burster	Shunt	372472	12-043	2020-09-06
1282-0.01	Burster	Shunt	376779	12-044	2020-09-09
OPM200	OMICRON	Phase Meter	12-004	12-004	2020-04-11
FCS Box	OMICRON	FCS Adapter		12-049	2020-04-11

Test Results – Overview

1	Voltage Output	4
1.1	Amplitude Accuracy	4
1.2	Harmonic Distortion (THD+N)	6
1.3	Phase Angle (relative to VA1)	7
2	Current Output	8
2.1	Amplitude Accuracy, Group A	8
2.2	Amplitude Accuracy, Group B	9
2.3	Harmonic Distortion (THD+N), Group A	10
2.4	Harmonic Distortion (THD+N), Group B	11
2.5	Phase Angle (relative to VA1), Group A	11
2.6	Phase Angle (relative to VA1), Group B	12
3	Analog DC Input (UDC, IDC)	13
3.1	Current Accuracy IDC	13
4	Binary / Analog Input	14
4.1	Threshold Binary Input	14
4.2	Voltage Accuracy Analog Input	18
5	Frequency Test	30
6	Low Level Output 1–6	30
6.1	Amplitude Accuracy	30
6.2	Harmonic Distortion (THD+N)	31
6.3	Phase Angle (relative to VA1)	32
7	Binary Output	33
8	AUX DC	34

Test Results – Detail

1

Voltage Output

1.1

Amplitude Accuracy

VA1, Range I (0...150V)

Nominal in V	Frequency in Hz	Actual in V	Error in mV	±Spec in mV	of Spec in %	Verdict
-150.0	0.0	-150.0097	-9.7	250.0	-3.9	pass
-30.0	0.0	-30.0189	-18.9	154.0	-12.3	pass
30.0	0.0	29.9902	-9.8	154.0	-6.4	pass
150.0	0.0	150.0089	8.9	250.0	3.6	pass
30.0	55.0	30.0024	2.4	54.0	4.5	pass
150.0	55.0	150.0012	1.2	150.0	0.8	pass

VA1, Range II (0...300V)

Nominal in V	Frequency in Hz	Actual in V	Error in mV	±Spec in mV	of Spec in %	Verdict
-300.0	0.0	-300.0297	-29.7	400.0	-7.4	pass
-30.0	0.0	-30.0214	-21.4	184.0	-11.6	pass
30.0	0.0	29.9704	-29.6	184.0	-16.1	pass
300.0	0.0	300.0079	7.9	400.0	2.0	pass
30.0	55.0	30.0018	1.8	84.0	2.2	pass
300.0	55.0	300.0021	2.1	300.0	0.7	pass

VA2, Range I (0...150V)

Nominal in V	Frequency in Hz	Actual in V	Error in mV	±Spec in mV	of Spec in %	Verdict
-150.0	0.0	-150.0290	-29.0	250.0	-11.6	pass
-30.0	0.0	-30.0208	-20.8	154.0	-13.5	pass
30.0	0.0	29.9863	-13.7	154.0	-8.9	pass
150.0	0.0	150.0024	2.4	250.0	0.9	pass
30.0	55.0	30.0038	3.8	54.0	7.1	pass
150.0	55.0	150.0000	0.0	150.0	0.0	pass

VA2, Range II (0...300V)

Nominal in V	Frequency in Hz	Actual in V	Error in mV	±Spec in mV	of Spec in %	Verdict
-300.0	0.0	-300.0308	-30.8	400.0	-7.7	pass
-30.0	0.0	-30.0318	-31.8	184.0	-17.3	pass
30.0	0.0	29.9765	-23.5	184.0	-12.8	pass
300.0	0.0	300.0138	13.8	400.0	3.5	pass
30.0	55.0	30.0036	3.6	84.0	4.3	pass
300.0	55.0	299.9990	-1.0	300.0	-0.3	pass

VA3, Range I (0...150V)

Nominal in V	Frequency in Hz	Actual in V	Error in mV	±Spec in mV	of Spec in %	Verdict
-150.0	0.0	-150.0031	-3.1	250.0	-1.2	pass
-30.0	0.0	-30.0076	-7.6	154.0	-4.9	pass
30.0	0.0	30.0025	2.5	154.0	1.6	pass
150.0	0.0	150.0064	6.4	250.0	2.6	pass
30.0	55.0	30.0028	2.8	54.0	5.2	pass
150.0	55.0	149.9979	-2.1	150.0	-1.4	pass

VA3, Range II (0...300V)

Nominal in V	Frequency in Hz	Actual in V	Error in mV	±Spec in mV	of Spec in %	Verdict
-300.0	0.0	-300.0164	-16.4	400.0	-4.1	pass
-30.0	0.0	-30.0101	-10.1	184.0	-5.5	pass
30.0	0.0	29.9958	-4.2	184.0	-2.3	pass
300.0	0.0	300.0022	2.2	400.0	0.6	pass
30.0	55.0	30.0026	2.6	84.0	3.1	pass
300.0	55.0	299.9958	-4.2	300.0	-1.4	pass

VA4, Range I (0...150V)

Nominal in V	Frequency in Hz	Actual in V	Error in mV	±Spec in mV	of Spec in %	Verdict
-150.0	0.0	-150.0111	-11.1	250.0	-4.5	pass
-30.0	0.0	-30.0096	-9.6	154.0	-6.2	pass
30.0	0.0	29.9973	-2.7	154.0	-1.8	pass
150.0	0.0	150.0029	2.9	250.0	1.2	pass
30.0	55.0	30.0030	3.0	54.0	5.5	pass
150.0	55.0	149.9998	-0.2	150.0	-0.1	pass

VA4, Range II (0...300V)

Nominal in V	Frequency in Hz	Actual in V	Error in mV	±Spec in mV	of Spec in %	Verdict
-300.0	0.0	-300.0147	-14.7	400.0	-3.7	pass
-30.0	0.0	-30.0091	-9.1	184.0	-5.0	pass
30.0	0.0	29.9954	-4.6	184.0	-2.5	pass
300.0	0.0	300.0113	11.3	400.0	2.8	pass
30.0	55.0	30.0023	2.3	84.0	2.8	pass
300.0	55.0	299.9988	-1.2	300.0	-0.4	pass

1.2 Harmonic Distortion (THD+N)
VA1, Range I (0...150V)

Amplitude in V	Frequency in Hz	Nominal THD+N in %	Actual THD+N in %	±Spec in %	of Spec in %	Verdict
150.0	55.0	0.0000	0.0053	0.0500	10.6	pass

VA1, Range II (0...300V)

Amplitude in V	Frequency in Hz	Nominal THD+N in %	Actual THD+N in %	±Spec in %	of Spec in %	Verdict
300.0	55.0	0.0000	0.0042	0.0500	8.4	pass

VA2, Range I (0...150V)

Amplitude in V	Frequency in Hz	Nominal THD+N in %	Actual THD+N in %	±Spec in %	of Spec in %	Verdict
150.0	55.0	0.0000	0.0053	0.0500	10.6	pass

VA2, Range II (0...300V)

Amplitude in V	Frequency in Hz	Nominal THD+N in %	Actual THD+N in %	±Spec in %	of Spec in %	Verdict
300.0	55.0	0.0000	0.0042	0.0500	8.4	pass

VA3, Range I (0...150V)

Amplitude in V	Frequency in Hz	Nominal THD+N in %	Actual THD+N in %	±Spec in %	of Spec in %	Verdict
150.0	55.0	0.0000	0.0045	0.0500	9.1	pass

VA3, Range II (0...300V)

Amplitude in V	Frequency in Hz	Nominal THD+N in %	Actual THD+N in %	±Spec in %	of Spec in %	Verdict
300.0	55.0	0.0000	0.0034	0.0500	6.7	pass

VA4, Range I (0...150V)

Amplitude in V	Frequency in Hz	Nominal THD+N in %	Actual THD+N in %	±Spec in %	of Spec in %	Verdict
150.0	55.0	0.0000	0.0046	0.0500	9.3	pass

VA4, Range II (0...300V)

Amplitude in V	Frequency in Hz	Nominal THD+N in %	Actual THD+N in %	±Spec in %	of Spec in %	Verdict
300.0	55.0	0.0000	0.0034	0.0500	6.9	pass

1.3 Phase Angle (relative to VA1)
VA2, Range I (0...150V)

Amplitude in V	Frequency in Hz	Nominal in °	Actual in °	Error in °	±Spec in °	of Spec in %	Verdict
100.0	55.57	0.000	-0.001	-0.001	0.100	-0.7	pass

VA2, Range II (0...300V)

Amplitude in V	Frequency in Hz	Nominal in °	Actual in °	Error in °	±Spec in °	of Spec in %	Verdict
100.0	55.57	0.000	-0.001	-0.001	0.100	-1.0	pass

VA3, Range I (0...150V)

Amplitude in V	Frequency in Hz	Nominal in °	Actual in °	Error in °	±Spec in °	of Spec in %	Verdict
100.0	55.57	0.000	0.000	0.000	0.100	-0.4	pass

VA3, Range II (0...300V)

Amplitude in V	Frequency in Hz	Nominal in °	Actual in °	Error in °	±Spec in °	of Spec in %	Verdict
100.0	55.57	0.000	-0.001	-0.001	0.100	-0.8	pass

VA4, Range I (0...150V)

Amplitude in V	Frequency in Hz	Nominal in °	Actual in °	Error in °	±Spec in °	of Spec in %	Verdict
100.0	55.57	0.000	-0.001	-0.001	0.100	-0.7	pass

VA4, Range II (0...300V)

Amplitude in V	Frequency in Hz	Nominal in °	Actual in °	Error in °	±Spec in °	of Spec in %	Verdict
100.0	55.57	0.000	-0.001	-0.001	0.100	-1.0	pass

2 Current Output
2.1 Amplitude Accuracy, Group A
IA1 (Range 0..32A)

Used shunt for currents up to 12.5 A: Burster 1282-0.1

Used shunt for higher currents: Burster 1282-0.01

Nominal in A	Frequency in Hz	Actual in A	Error in mA	±Spec in mA	of Spec in %	Verdict
-20.0	0.0	-20.0049	-4.9	56.0	-8.8	pass
-3.2	0.0	-3.2013	-1.3	30.8	-4.3	pass
3.2	0.0	3.2005	0.5	30.8	1.7	pass
20.0	0.0	20.0072	7.2	56.0	12.8	pass
3.2	55.0	3.2014	1.4	20.8	6.6	pass
20.0	55.0	20.0180	18.0	46.0	39.2	pass

IA2 (Range 0..32A)

Used shunt for currents up to 12.5 A: Burster 1282-0.1

Used shunt for higher currents: Burster 1282-0.01

Nominal in A	Frequency in Hz	Actual in A	Error in mA	±Spec in mA	of Spec in %	Verdict
-20.0	0.0	-20.0059	-5.9	56.0	-10.5	pass
-3.2	0.0	-3.2008	-0.8	30.8	-2.7	pass
3.2	0.0	3.2014	1.4	30.8	4.4	pass
20.0	0.0	20.0065	6.5	56.0	11.6	pass
3.2	55.0	3.2015	1.5	20.8	7.0	pass
20.0	55.0	20.0186	18.6	46.0	40.4	pass

IA3 (Range 0..32A)

Used shunt for currents up to 12.5 A: Burster 1282-0.1

Used shunt for higher currents: Burster 1282-0.01

Nominal in A	Frequency in Hz	Actual in A	Error in mA	±Spec in mA	of Spec in %	Verdict
-20.0	0.0	-20.0041	-4.1	56.0	-7.3	pass
-3.2	0.0	-3.2028	-2.8	30.8	-9.0	pass
3.2	0.0	3.2002	0.2	30.8	0.5	pass
20.0	0.0	20.0051	5.1	56.0	9.1	pass
3.2	55.0	3.2014	1.4	20.8	6.7	pass
20.0	55.0	20.0177	17.7	46.0	38.5	pass

2.2 Amplitude Accuracy, Group B
IB1 (Range 0..32A)

Used shunt for currents up to 12.5 A: Burster 1282-0.1

Used shunt for higher currents: Burster 1282-0.01

Nominal in A	Frequency in Hz	Actual in A	Error in mA	±Spec in mA	of Spec in %	Verdict
-20.0	0.0	-20.0016	-1.6	56.0	-2.9	pass
-3.2	0.0	-3.2013	-1.3	30.8	-4.3	pass
3.2	0.0	3.1993	-0.7	30.8	-2.4	pass
20.0	0.0	20.0025	2.5	56.0	4.4	pass
3.2	55.0	3.2008	0.8	20.8	4.0	pass
20.0	55.0	20.0136	13.6	46.0	29.5	pass

IB2 (Range 0..32A)

Used shunt for currents up to 12.5 A: Burster 1282-0.1

Used shunt for higher currents: Burster 1282-0.01

Nominal in A	Frequency in Hz	Actual in A	Error in mA	±Spec in mA	of Spec in %	Verdict
-20.0	0.0	-20.0047	-4.7	56.0	-8.4	pass
-3.2	0.0	-3.2027	-2.7	30.8	-8.9	pass
3.2	0.0	3.1996	-0.4	30.8	-1.3	pass
20.0	0.0	20.0040	4.0	56.0	7.2	pass
3.2	55.0	3.2012	1.2	20.8	6.0	pass
20.0	55.0	20.0172	17.2	46.0	37.4	pass

IB3 (Range 0..32A)

Used shunt for currents up to 12.5 A: Burster 1282-0.1

Used shunt for higher currents: Burster 1282-0.01

Nominal in A	Frequency in Hz	Actual in A	Error in mA	±Spec in mA	of Spec in %	Verdict
-20.0	0.0	-20.0012	-1.2	56.0	-2.1	pass
-3.2	0.0	-3.2011	-1.1	30.8	-3.4	pass
3.2	0.0	3.1987	-1.3	30.8	-4.1	pass
20.0	0.0	20.0049	4.9	56.0	8.8	pass
3.2	55.0	3.2010	1.0	20.8	4.8	pass
20.0	55.0	20.0155	15.5	46.0	33.7	pass

2.3 Harmonic Distortion (THD+N), Group A
IA1 (Range 0..32A)

Used shunt: Burster 1282-0.01

Amplitude in A	Frequency in Hz	Nominal THD+N in %	Actual THD+N in %	±Spec in %	of Spec in %	Verdict
20.0	55.0	0.000	0.012	0.150	7.8	pass

IA2 (Range 0..32A)

Used shunt: Burster 1282-0.01

Amplitude in A	Frequency in Hz	Nominal THD+N in %	Actual THD+N in %	±Spec in %	of Spec in %	Verdict
20.0	55.0	0.000	0.011	0.150	7.6	pass

IA3 (Range 0..32A)

Used shunt: Burster 1282-0.01

Amplitude in A	Frequency in Hz	Nominal THD+N in %	Actual THD+N in %	±Spec in %	of Spec in %	Verdict
20.0	55.0	0.000	0.011	0.150	7.4	pass

2.4 Harmonic Distortion (THD+N), Group B

IB1 (Range 0..32A)

Used shunt: Burster 1282-0.01

Amplitude in A	Frequency in Hz	Nominal THD+N in %	Actual THD+N in %	±Spec in %	of Spec in %	Verdict
20.0	55.0	0.000	0.012	0.150	8.3	pass

IB2 (Range 0..32A)

Used shunt: Burster 1282-0.01

Amplitude in A	Frequency in Hz	Nominal THD+N in %	Actual THD+N in %	±Spec in %	of Spec in %	Verdict
20.0	55.0	0.000	0.012	0.150	7.9	pass

IB3 (Range 0..32A)

Used shunt: Burster 1282-0.01

Amplitude in A	Frequency in Hz	Nominal THD+N in %	Actual THD+N in %	±Spec in %	of Spec in %	Verdict
20.0	55.0	0.000	0.011	0.150	7.1	pass

2.5 Phase Angle (relative to VA1), Group A

IA1 (Range 0...32A)

Amplitude in A	Frequency in Hz	Nominal in °	Actual in °	Error in °	±Spec in °	of Spec in %	Verdict
1.0	55.57	0.000	0.012	0.012	0.200	6.1	pass
10.0	55.57	0.000	0.011	0.011	0.200	5.7	pass

IA2 (Range 0...32A)

Amplitude in A	Frequency in Hz	Nominal in °	Actual in °	Error in °	±Spec in °	of Spec in %	Verdict
1.0	55.57	0.000	0.013	0.013	0.200	6.4	pass
10.0	55.57	0.000	0.012	0.012	0.200	6.0	pass

IA3 (Range 0...32A)

Amplitude in A	Frequency in Hz	Nominal in °	Actual in °	Error in °	±Spec in °	of Spec in %	Verdict
1.0	55.57	0.000	0.017	0.017	0.200	8.4	pass
10.0	55.57	0.000	0.014	0.014	0.200	7.2	pass

2.6 Phase Angle (relative to VA1), Group B
IB1 (Range 0...32A)

Amplitude in A	Frequency in Hz	Nominal in °	Actual in °	Error in °	±Spec in °	of Spec in %	Verdict
1.0	55.57	0.000	0.013	0.013	0.200	6.5	pass
10.0	55.57	0.000	0.012	0.012	0.200	6.1	pass

IB2 (Range 0...32A)

Amplitude in A	Frequency in Hz	Nominal in °	Actual in °	Error in °	±Spec in °	of Spec in %	Verdict
1.0	55.57	0.000	0.012	0.012	0.200	5.8	pass
10.0	55.57	0.000	0.011	0.011	0.200	5.7	pass

IB3 (Range 0...32A)

Amplitude in A	Frequency in Hz	Nominal in °	Actual in °	Error in °	±Spec in °	of Spec in %	Verdict
1.0	55.57	0.000	0.015	0.015	0.200	7.3	pass
10.0	55.57	0.000	0.013	0.013	0.200	6.7	pass

3 Analog DC Input (UDC, IDC)

Voltage Accuracy UDC

Nominal in V	Actual in V	Measured in V	Error in mV	±Spec in mV	of Spec in %	Verdict
-7.0	-7.00107	-7.00035	0.72	2.00	36.0	pass
7.0	7.00130	7.00040	-0.90	2.00	-45.1	pass

3.1 Current Accuracy IDC

Range 1 mA

Nominal in mA	Actual in μ A	Measured in μ A	Error in nA	±Spec in nA	of Spec in %	Verdict
-1	-992.524	-992.420	104	200	51.9	pass
1	994.619	994.520	-99	200	-49.6	pass

Range 20 mA

Nominal in mA	Actual in mA	Measured in mA	Error in μ A	±Spec in μ A	of Spec in %	Verdict
-20	-19.90182	-19.90050	1.32	4.00	33.0	pass
20	19.90500	19.90350	-1.50	4.00	-37.4	pass

4 Binary / Analog Input

4.1 Threshold Binary Input

4.1.1 Potential Free

Binary Input 1

Nominal State	Actual State	Verdict
open	open	pass
close	close	pass
open	open	pass

Binary Input 2

Nominal State	Actual State	Verdict
open	open	pass
close	close	pass
open	open	pass

Binary Input 3

Nominal State	Actual State	Verdict
open	open	pass
close	close	pass
open	open	pass

Binary Input 4

Nominal State	Actual State	Verdict
open	open	pass
close	close	pass
open	open	pass

Binary Input 5

Nominal State	Actual State	Verdict
open	open	pass
close	close	pass
open	open	pass

Binary Input 6

Nominal State	Actual State	Verdict
open	open	pass
close	close	pass
open	open	pass

Binary Input 7

Nominal State	Actual State	Verdict
open	open	pass
close	close	pass
open	open	pass

Binary Input 8

Nominal State	Actual State	Verdict
open	open	pass
close	close	pass
open	open	pass

Binary Input 9

Nominal State	Actual State	Verdict
open	open	pass
close	close	pass
open	open	pass

Binary Input 10

Nominal State	Actual State	Verdict
open	open	pass
close	close	pass
open	open	pass

4.1.2 Potential Sensitive

Binary Input 1

Nominal in V	Threshold in V	Range in V	Error in V	\pm Spec in V	of Spec in %	Verdict
90.0	88.18	100.0	-1.82	4.00	-45.5	pass

Nominal in V	Hysteresis in V	Range in V	min Spec in mV	max Spec in V	Verdict
90.0	4.00	100.0	280	10.50	pass

Binary Input 2

Nominal in V	Threshold in V	Range in V	Error in V	\pm Spec in V	of Spec in %	Verdict
90.0	88.18	100.0	-1.82	4.00	-45.5	pass

Nominal in V	Hysteresis in V	Range in V	min Spec in mV	max Spec in V	Verdict
90.0	4.40	100.0	280	10.50	pass

Binary Input 3

Nominal in V	Threshold in V	Range in V	Error in V	\pm Spec in V	of Spec in %	Verdict
90.0	87.78	100.0	-2.22	4.00	-55.5	pass

Nominal in V	Hysteresis in V	Range in V	min Spec in mV	max Spec in V	Verdict
90.0	4.00	100.0	280	10.50	pass

Binary Input 4

Nominal in V	Threshold in V	Range in V	Error in V	\pm Spec in V	of Spec in %	Verdict
90.0	87.78	100.0	-2.22	4.00	-55.5	pass

Nominal in V	Hysteresis in V	Range in V	min Spec in mV	max Spec in V	Verdict
90.0	4.40	100.0	280	10.50	pass

Binary Input 5

Nominal in V	Threshold in V	Range in V	Error in V	±Spec in V	of Spec in %	Verdict
90.0	88.58	100.0	-1.42	4.00	-35.5	pass

Nominal in V	Hysteresis in V	Range in V	min Spec in mV	max Spec in V	Verdict
90.0	4.00	100.0	280	10.50	pass

Binary Input 6

Nominal in V	Threshold in V	Range in V	Error in V	±Spec in V	of Spec in %	Verdict
90.0	87.78	100.0	-2.22	4.00	-55.5	pass

Nominal in V	Hysteresis in V	Range in V	min Spec in mV	max Spec in V	Verdict
90.0	4.00	100.0	280	10.50	pass

Binary Input 7

Nominal in V	Threshold in V	Range in V	Error in V	±Spec in V	of Spec in %	Verdict
90.0	88.18	100.0	-1.82	4.00	-45.5	pass

Nominal in V	Hysteresis in V	Range in V	min Spec in mV	max Spec in V	Verdict
90.0	3.60	100.0	280	10.50	pass

Binary Input 8

Nominal in V	Threshold in V	Range in V	Error in V	±Spec in V	of Spec in %	Verdict
90.0	87.38	100.0	-2.62	4.00	-65.5	pass

Nominal in V	Hysteresis in V	Range in V	min Spec in mV	max Spec in V	Verdict
90.0	4.00	100.0	280	10.50	pass

Binary Input 9

Nominal in V	Threshold in V	Range in V	Error in V	±Spec in V	of Spec in %	Verdict
90.0	88.98	100.0	-1.02	4.00	-25.5	pass

Nominal in V	Hysteresis in V	Range in V	min Spec in mV	max Spec in V	Verdict
90.0	3.60	100.0	280	10.50	pass

Binary Input 10

Nominal in V	Threshold in V	Range in V	Error in V	±Spec in V	of Spec in %	Verdict
90.0	87.78	100.0	-2.22	4.00	-55.5	pass

Nominal in V	Hysteresis in V	Range in V	min Spec in mV	max Spec in V	Verdict
90.0	4.00	100.0	280	10.50	pass

4.2 Voltage Accuracy Analog Input

Sampling Rate= 28.44 kHz

4.2.1 Analog Input 1

Range 0.1 V

Nominal in V	Frequency in Hz	Actual in V	Measured in V	Error in μ V	±Spec in μ V	of Spec in %	Verdict
0.01	0.0	0.009920	0.009898	-23	450	-5.0	pass
0.10	0.0	0.100021	0.100054	33	450	7.4	pass
0.01	55.0	0.010005	0.009970	-34	300	-11.4	pass
0.10	55.0	0.100013	0.100042	29	300	9.6	pass

Range 1 V

Nominal in V	Frequency in Hz	Actual in V	Measured in V	Error in mV	±Spec in mV	of Spec in %	Verdict
0.1	0.0	0.10002	0.09985	-0.17	4.00	-4.3	pass
1.0	0.0	1.00016	1.00037	0.21	4.00	5.2	pass
0.1	55.0	0.10001	0.09969	-0.33	1.50	-21.7	pass
1.0	55.0	1.00013	1.00031	0.18	1.50	11.7	pass

Range 10 V

Nominal in V	Frequency in Hz	Actual in V	Measured in V	Error in mV	±Spec in mV	of Spec in %	Verdict
1.0	0.0	1.0002	0.9994	-0.7	40.0	-1.8	pass
10.0	0.0	9.9914	9.9922	0.8	40.0	1.9	pass
1.0	55.0	1.0001	0.9967	-3.5	15.0	-23.1	pass
10.0	55.0	10.0016	10.0020	0.3	15.0	2.1	pass

Range 100 V

Nominal in V	Frequency in Hz	Actual in V	Measured in V	Error in mV	±Spec in mV	of Spec in %	Verdict
10.0	0.0	9.991	9.969	-22	400	-5.6	pass
100.0	0.0	99.997	100.000	3	400	0.7	pass
10.0	55.0	10.002	9.966	-35	150	-23.6	pass
100.0	55.0	100.006	100.006	0	150	-0.3	pass

Range 600 V

Nominal in V	Frequency in Hz	Actual in V	Measured in V	Error in V	±Spec in V	of Spec in %	Verdict
60.0	0.0	59.998	59.857	-0.141	2.400	-5.9	pass
300.0	0.0	300.009	299.984	-0.024	2.400	-1.0	pass
60.0	55.0	60.004	59.661	-0.342	0.900	-38.0	pass
300.0	55.0	300.004	299.859	-0.145	0.900	-16.1	pass

4.2.2 Analog Input 2
Range 0.1 V

Nominal in V	Frequency in Hz	Actual in V	Measured in V	Error in μ V	±Spec in μ V	of Spec in %	Verdict
0.01	0.0	0.009920	0.009783	-138	450	-30.6	pass
0.10	0.0	0.100021	0.099918	-102	450	-22.7	pass
0.01	55.0	0.010005	0.009970	-34	300	-11.4	pass
0.10	55.0	0.100013	0.100035	21	300	7.1	pass

Range 1 V

Nominal in V	Frequency in Hz	Actual in V	Measured in V	Error in mV	±Spec in mV	of Spec in %	Verdict
0.1	0.0	0.10002	0.10020	0.17	4.00	4.4	pass
1.0	0.0	1.00016	1.00070	0.54	4.00	13.6	pass
0.1	55.0	0.10001	0.09969	-0.32	1.50	-21.5	pass

Nominal in V	Frequency in Hz	Actual in V	Measured in V	Error in mV	±Spec in mV	of Spec in %	Verdict
1.0	55.0	1.00013	1.00037	0.24	1.50	15.8	pass

Range 10 V

Nominal in V	Frequency in Hz	Actual in V	Measured in V	Error in mV	±Spec in mV	of Spec in %	Verdict
1.0	0.0	1.0002	1.0031	2.9	40.0	7.3	pass
10.0	0.0	9.9914	9.9971	5.6	40.0	14.1	pass
1.0	55.0	1.0001	0.9967	-3.5	15.0	-23.0	pass
10.0	55.0	10.0016	10.0020	0.3	15.0	2.1	pass

Range 100 V

Nominal in V	Frequency in Hz	Actual in V	Measured in V	Error in mV	±Spec in mV	of Spec in %	Verdict
10.0	0.0	9.991	9.996	5	400	1.2	pass
100.0	0.0	99.997	100.023	26	400	6.6	pass
10.0	55.0	10.002	9.967	-35	150	-23.2	pass
100.0	55.0	100.006	100.010	3	150	2.3	pass

Range 600 V

Nominal in V	Frequency in Hz	Actual in V	Measured in V	Error in V	±Spec in V	of Spec in %	Verdict
60.0	0.0	59.998	60.121	0.123	2.400	5.1	pass
300.0	0.0	300.009	300.297	0.288	2.400	12.0	pass
60.0	55.0	60.004	59.684	-0.320	0.900	-35.6	pass
300.0	55.0	300.004	299.875	-0.129	0.900	-14.4	pass

4.2.3 Analog Input 3

Range 0.1 V

Nominal in V	Frequency in Hz	Actual in V	Measured in V	Error in μ V	±Spec in μ V	of Spec in %	Verdict
0.01	0.0	0.009920	0.009795	-126	450	-27.9	pass
0.10	0.0	0.100021	0.099966	-55	450	-12.1	pass
0.01	55.0	0.010005	0.009971	-33	300	-11.1	pass
0.10	55.0	0.100013	0.100048	35	300	11.6	pass

Range 1 V

Nominal in V	Frequency in Hz	Actual in V	Measured in V	Error in mV	±Spec in mV	of Spec in %	Verdict
0.1	0.0	0.10002	0.10000	-0.03	4.00	-0.6	pass
1.0	0.0	1.00016	1.00061	0.45	4.00	11.3	pass
0.1	55.0	0.10001	0.09970	-0.31	1.50	-20.8	pass
1.0	55.0	1.00013	1.00046	0.33	1.50	21.9	pass

Range 10 V

Nominal in V	Frequency in Hz	Actual in V	Measured in V	Error in mV	±Spec in mV	of Spec in %	Verdict
1.0	0.0	1.0002	0.9985	-1.7	40.0	-4.2	pass
10.0	0.0	9.9914	9.9968	5.4	40.0	13.5	pass
1.0	55.0	1.0001	0.9968	-3.3	15.0	-22.3	pass
10.0	55.0	10.0016	10.0034	1.8	15.0	11.9	pass

Range 100 V

Nominal in V	Frequency in Hz	Actual in V	Measured in V	Error in mV	±Spec in mV	of Spec in %	Verdict
10.0	0.0	9.991	9.993	1	400	0.3	pass
100.0	0.0	99.997	100.025	28	400	7.1	pass
10.0	55.0	10.002	9.968	-33	150	-22.3	pass
100.0	55.0	100.006	100.022	15	150	10.1	pass

Range 600 V

Nominal in V	Frequency in Hz	Actual in V	Measured in V	Error in V	±Spec in V	of Spec in %	Verdict
60.0	0.0	59.998	59.975	-0.023	2.400	-1.0	pass
300.0	0.0	300.009	300.172	0.163	2.400	6.8	pass
60.0	55.0	60.004	59.652	-0.351	0.900	-39.0	pass
300.0	55.0	300.004	299.875	-0.129	0.900	-14.4	pass

4.2.4 Analog Input 4

Range 0.1 V

Nominal in V	Frequency in Hz	Actual in V	Measured in V	Error in μ V	\pm Spec in μ V	of Spec in %	Verdict
0.01	0.0	0.009920	0.009910	-10	450	-2.3	pass
0.10	0.0	0.100021	0.100004	-16	450	-3.7	pass
0.01	55.0	0.010005	0.009966	-38	300	-12.8	pass
0.10	55.0	0.100013	0.099987	-26	300	-8.8	pass

Range 1 V

Nominal in V	Frequency in Hz	Actual in V	Measured in V	Error in mV	\pm Spec in mV	of Spec in %	Verdict
0.1	0.0	0.10002	0.10011	0.08	4.00	2.1	pass
1.0	0.0	1.00016	1.00018	0.03	4.00	0.6	pass
0.1	55.0	0.10001	0.09964	-0.37	1.50	-24.7	pass
1.0	55.0	1.00013	0.99995	-0.17	1.50	-11.7	pass

Range 10 V

Nominal in V	Frequency in Hz	Actual in V	Measured in V	Error in mV	\pm Spec in mV	of Spec in %	Verdict
1.0	0.0	1.0002	1.0016	1.5	40.0	3.6	pass
10.0	0.0	9.9914	9.9919	0.5	40.0	1.3	pass
1.0	55.0	1.0001	0.9962	-3.9	15.0	-26.0	pass
10.0	55.0	10.0016	9.9983	-3.3	15.0	-22.3	pass

Range 100 V

Nominal in V	Frequency in Hz	Actual in V	Measured in V	Error in mV	\pm Spec in mV	of Spec in %	Verdict
10.0	0.0	9.991	9.997	6	400	1.4	pass
100.0	0.0	99.997	99.996	-1	400	-0.2	pass
10.0	55.0	10.002	9.963	-39	150	-26.0	pass
100.0	55.0	100.006	99.967	-40	150	-26.4	pass

Range 600 V

Nominal in V	Frequency in Hz	Actual in V	Measured in V	Error in V	\pm Spec in V	of Spec in %	Verdict
-----------------	--------------------	----------------	------------------	---------------	--------------------	-----------------	---------



Nominal in V	Frequency in Hz	Actual in V	Measured in V	Error in V	±Spec in V	of Spec in %	Verdict
60.0	0.0	59.998	59.986	-0.012	2.400	-0.5	pass
300.0	0.0	300.009	300.156	0.148	2.400	6.1	pass
60.0	55.0	60.004	59.682	-0.322	0.900	-35.8	pass
300.0	55.0	300.004	299.781	-0.223	0.900	-24.8	pass

4.2.5 Analog Input 5

Range 0.1 V

Nominal in V	Frequency in Hz	Actual in V	Measured in V	Error in µV	±Spec in µV	of Spec in %	Verdict
0.01	0.0	0.009920	0.009788	-132	450	-29.4	pass
0.10	0.0	0.100021	0.099949	-72	450	-15.9	pass
0.01	55.0	0.010005	0.009971	-33	300	-11.1	pass
0.10	55.0	0.100013	0.100037	23	300	7.7	pass

Range 1 V

Nominal in V	Frequency in Hz	Actual in V	Measured in V	Error in mV	±Spec in mV	of Spec in %	Verdict
0.1	0.0	0.10002	0.10030	0.28	4.00	6.9	pass
1.0	0.0	1.00016	1.00104	0.88	4.00	22.0	pass
0.1	55.0	0.10001	0.09969	-0.32	1.50	-21.6	pass
1.0	55.0	1.00013	1.00031	0.18	1.50	11.7	pass

Range 10 V

Nominal in V	Frequency in Hz	Actual in V	Measured in V	Error in mV	±Spec in mV	of Spec in %	Verdict
1.0	0.0	1.0002	1.0002	0.1	40.0	0.1	pass
10.0	0.0	9.9914	9.9966	5.2	40.0	12.9	pass
1.0	55.0	1.0001	0.9967	-3.4	15.0	-22.6	pass
10.0	55.0	10.0016	10.0027	1.1	15.0	7.0	pass

Range 100 V

Nominal in V	Frequency in Hz	Actual in V	Measured in V	Error in mV	±Spec in mV	of Spec in %	Verdict
10.0	0.0	9.991	10.007	16	400	3.9	pass
100.0	0.0	99.997	100.018	21	400	5.1	pass
10.0	55.0	10.002	9.968	-34	150	-22.7	pass
100.0	55.0	100.006	100.010	3	150	2.3	pass

Range 600 V

Nominal in V	Frequency in Hz	Actual in V	Measured in V	Error in V	±Spec in V	of Spec in %	Verdict
60.0	0.0	59.998	60.111	0.113	2.400	4.7	pass
300.0	0.0	300.009	300.250	0.241	2.400	10.1	pass
60.0	55.0	60.004	59.653	-0.350	0.900	-38.9	pass
300.0	55.0	300.004	299.844	-0.160	0.900	-17.8	pass

4.2.6 Analog Input 6
Range 0.1 V

Nominal in V	Frequency in Hz	Actual in V	Measured in V	Error in μ V	±Spec in μ V	of Spec in %	Verdict
0.01	0.0	0.009920	0.009890	-30	450	-6.7	pass
0.10	0.0	0.100021	0.100031	10	450	2.3	pass
0.01	55.0	0.010005	0.009969	-35	300	-11.7	pass
0.10	55.0	0.100013	0.100031	17	300	5.8	pass

Range 1 V

Nominal in V	Frequency in Hz	Actual in V	Measured in V	Error in mV	±Spec in mV	of Spec in %	Verdict
0.1	0.0	0.10002	0.10026	0.24	4.00	6.0	pass
1.0	0.0	1.00016	1.00061	0.45	4.00	11.3	pass
0.1	55.0	0.10001	0.09968	-0.33	1.50	-22.2	pass
1.0	55.0	1.00013	1.00031	0.18	1.50	11.7	pass

Range 10 V

Nominal in V	Frequency in Hz	Actual in V	Measured in V	Error in mV	±Spec in mV	of Spec in %	Verdict
1.0	0.0	1.0002	1.0032	3.0	40.0	7.6	pass
10.0	0.0	9.9914	9.9978	6.4	40.0	15.9	pass
1.0	55.0	1.0001	0.9966	-3.5	15.0	-23.2	pass
10.0	55.0	10.0016	10.0012	-0.4	15.0	-2.8	pass

Range 100 V

Nominal in V	Frequency in Hz	Actual in V	Measured in V	Error in mV	±Spec in mV	of Spec in %	Verdict
10.0	0.0	9.991	9.994	2	400	0.6	pass
100.0	0.0	99.997	100.010	13	400	3.2	pass
10.0	55.0	10.002	9.966	-36	150	-23.9	pass

Nominal in V	Frequency in Hz	Actual in V	Measured in V	Error in mV	±Spec in mV	of Spec in %	Verdict
100.0	55.0	100.006	100.002	-4	150	-2.9	pass

Range 600 V

Nominal in V	Frequency in Hz	Actual in V	Measured in V	Error in V	±Spec in V	of Spec in %	Verdict
60.0	0.0	59.998	60.103	0.104	2.400	4.4	pass
300.0	0.0	300.009	300.398	0.390	2.400	16.2	pass
60.0	55.0	60.004	59.682	-0.322	0.900	-35.8	pass
300.0	55.0	300.004	299.859	-0.145	0.900	-16.1	pass

4.2.7 Analog Input 7

Range 0.1 V

Nominal in V	Frequency in Hz	Actual in V	Measured in V	Error in μ V	±Spec in μ V	of Spec in %	Verdict
0.01	0.0	0.009920	0.009860	-61	450	-13.5	pass
0.10	0.0	0.100021	0.100002	-18	450	-4.1	pass
0.01	55.0	0.010005	0.009969	-35	300	-11.8	pass
0.10	55.0	0.100013	0.100021	8	300	2.7	pass

Range 1 V

Nominal in V	Frequency in Hz	Actual in V	Measured in V	Error in mV	±Spec in mV	of Spec in %	Verdict
0.1	0.0	0.10002	0.10026	0.24	4.00	6.0	pass
1.0	0.0	1.00016	1.00055	0.39	4.00	9.8	pass
0.1	55.0	0.10001	0.09968	-0.34	1.50	-22.4	pass
1.0	55.0	1.00013	1.00015	0.02	1.50	1.6	pass

Range 10 V

Nominal in V	Frequency in Hz	Actual in V	Measured in V	Error in mV	±Spec in mV	of Spec in %	Verdict
1.0	0.0	1.0002	0.9993	-0.9	40.0	-2.3	pass
10.0	0.0	9.9914	9.9959	4.4	40.0	11.1	pass
1.0	55.0	1.0001	0.9966	-3.6	15.0	-23.7	pass
10.0	55.0	10.0016	10.0007	-0.9	15.0	-6.1	pass

Range 100 V

Nominal in V	Frequency in Hz	Actual in V	Measured in V	Error in mV	±Spec in mV	of Spec in %	Verdict
10.0	0.0	9.991	9.997	5	400	1.3	pass
100.0	0.0	99.997	100.006	9	400	2.2	pass
10.0	55.0	10.002	9.966	-36	150	-23.7	pass
100.0	55.0	100.006	99.992	-14	150	-9.4	pass

Range 600 V

Nominal in V	Frequency in Hz	Actual in V	Measured in V	Error in V	±Spec in V	of Spec in %	Verdict
60.0	0.0	59.998	60.313	0.314	2.400	13.1	pass
300.0	0.0	300.009	300.289	0.280	2.400	11.7	pass
60.0	55.0	60.004	59.640	-0.364	0.900	-40.4	pass
300.0	55.0	300.004	299.813	-0.192	0.900	-21.3	pass

4.2.8 Analog Input 8
Range 0.1 V

Nominal in V	Frequency in Hz	Actual in V	Measured in V	Error in μ V	±Spec in μ V	of Spec in %	Verdict
0.01	0.0	0.009920	0.009816	-104	450	-23.2	pass
0.10	0.0	0.100021	0.099913	-108	450	-24.0	pass
0.01	55.0	0.010005	0.009965	-40	300	-13.3	pass
0.10	55.0	0.100013	0.099979	-34	300	-11.3	pass

Range 1 V

Nominal in V	Frequency in Hz	Actual in V	Measured in V	Error in mV	±Spec in mV	of Spec in %	Verdict
0.1	0.0	0.10002	0.09981	-0.21	4.00	-5.3	pass
1.0	0.0	1.00016	1.00003	-0.13	4.00	-3.2	pass
0.1	55.0	0.10001	0.09963	-0.38	1.50	-25.5	pass
1.0	55.0	1.00013	0.99985	-0.28	1.50	-18.8	pass

Range 10 V

Nominal in V	Frequency in Hz	Actual in V	Measured in V	Error in mV	±Spec in mV	of Spec in %	Verdict
1.0	0.0	1.0002	0.9987	-1.5	40.0	-3.7	pass
10.0	0.0	9.9914	9.9900	-1.4	40.0	-3.6	pass
1.0	55.0	1.0001	0.9961	-4.0	15.0	-26.9	pass

Nominal in V	Frequency in Hz	Actual in V	Measured in V	Error in mV	±Spec in mV	of Spec in %	Verdict
10.0	55.0	10.0016	9.9968	-4.8	15.0	-32.1	pass

Range 100 V

Nominal in V	Frequency in Hz	Actual in V	Measured in V	Error in mV	±Spec in mV	of Spec in %	Verdict
10.0	0.0	9.991	9.985	-7	400	-1.7	pass
100.0	0.0	99.997	99.992	-5	400	-1.2	pass
10.0	55.0	10.002	9.961	-41	150	-27.3	pass
100.0	55.0	100.006	99.951	-55	150	-36.8	pass

Range 600 V

Nominal in V	Frequency in Hz	Actual in V	Measured in V	Error in V	±Spec in V	of Spec in %	Verdict
60.0	0.0	59.998	59.939	-0.059	2.400	-2.4	pass
300.0	0.0	300.009	300.063	0.054	2.400	2.2	pass
60.0	55.0	60.004	59.659	-0.344	0.900	-38.3	pass
300.0	55.0	300.004	299.734	-0.270	0.900	-30.0	pass

4.2.9 Analog Input 9

Range 0.1 V

Nominal in V	Frequency in Hz	Actual in V	Measured in V	Error in μ V	±Spec in μ V	of Spec in %	Verdict
0.01	0.0	0.009920	0.009865	-55	450	-12.2	pass
0.10	0.0	0.100021	0.100008	-13	450	-2.8	pass
0.01	55.0	0.010005	0.009971	-34	300	-11.2	pass
0.10	55.0	0.100013	0.100023	10	300	3.3	pass

Range 1 V

Nominal in V	Frequency in Hz	Actual in V	Measured in V	Error in mV	±Spec in mV	of Spec in %	Verdict
0.1	0.0	0.10002	0.10003	0.00	4.00	0.1	pass
1.0	0.0	1.00016	1.00040	0.24	4.00	6.0	pass
0.1	55.0	0.10001	0.09970	-0.31	1.50	-20.7	pass
1.0	55.0	1.00013	1.00031	0.18	1.50	11.7	pass

Range 10 V

Nominal in V	Frequency in Hz	Actual in V	Measured in V	Error in mV	±Spec in mV	of Spec in %	Verdict
1.0	0.0	1.0002	1.0006	0.4	40.0	1.1	pass
10.0	0.0	9.9914	9.9978	6.4	40.0	15.9	pass
1.0	55.0	1.0001	0.9968	-3.3	15.0	-22.3	pass
10.0	55.0	10.0016	10.0020	0.3	15.0	2.1	pass

Range 100 V

Nominal in V	Frequency in Hz	Actual in V	Measured in V	Error in mV	±Spec in mV	of Spec in %	Verdict
10.0	0.0	9.991	9.986	-5	400	-1.3	pass
100.0	0.0	99.997	100.010	13	400	3.2	pass
10.0	55.0	10.002	9.969	-33	150	-22.1	pass
100.0	55.0	100.006	100.014	7	150	4.9	pass

Range 600 V

Nominal in V	Frequency in Hz	Actual in V	Measured in V	Error in V	±Spec in V	of Spec in %	Verdict
60.0	0.0	59.998	60.035	0.037	2.400	1.5	pass
300.0	0.0	300.009	300.133	0.124	2.400	5.2	pass
60.0	55.0	60.004	59.661	-0.342	0.900	-38.0	pass
300.0	55.0	300.004	299.852	-0.153	0.900	-17.0	pass

4.2.10 Analog Input 10
Range 0.1 V

Nominal in V	Frequency in Hz	Actual in V	Measured in V	Error in μ V	±Spec in μ V	of Spec in %	Verdict
0.01	0.0	0.009920	0.009817	-103	450	-23.0	pass
0.10	0.0	0.100021	0.099964	-57	450	-12.6	pass
0.01	55.0	0.010005	0.009971	-33	300	-11.0	pass
0.10	55.0	0.100013	0.100046	33	300	10.9	pass

Range 1 V

Nominal in V	Frequency in Hz	Actual in V	Measured in V	Error in mV	±Spec in mV	of Spec in %	Verdict
0.1	0.0	0.10002	0.09999	-0.03	4.00	-0.8	pass
1.0	0.0	1.00016	1.00070	0.54	4.00	13.6	pass
0.1	55.0	0.10001	0.09969	-0.32	1.50	-21.6	pass



Nominal in V	Frequency in Hz	Actual in V	Measured in V	Error in mV	±Spec in mV	of Spec in %	Verdict
1.0	55.0	1.00013	1.00034	0.21	1.50	13.8	pass

Range 10 V

Nominal in V	Frequency in Hz	Actual in V	Measured in V	Error in mV	±Spec in mV	of Spec in %	Verdict
1.0	0.0	1.0002	1.0019	1.7	40.0	4.3	pass
10.0	0.0	9.9914	9.9988	7.3	40.0	18.4	pass
1.0	55.0	1.0001	0.9967	-3.4	15.0	-22.6	pass
10.0	55.0	10.0016	10.0029	1.3	15.0	8.6	pass

Range 100 V

Nominal in V	Frequency in Hz	Actual in V	Measured in V	Error in mV	±Spec in mV	of Spec in %	Verdict
10.0	0.0	9.991	10.015	24	400	6.0	pass
100.0	0.0	99.997	100.057	60	400	14.9	pass
10.0	55.0	10.002	9.968	-34	150	-22.4	pass
100.0	55.0	100.006	100.022	15	150	10.1	pass

Range 600 V

Nominal in V	Frequency in Hz	Actual in V	Measured in V	Error in V	±Spec in V	of Spec in %	Verdict
60.0	0.0	59.998	60.337	0.339	2.400	14.1	pass
300.0	0.0	300.009	300.523	0.515	2.400	21.4	pass
60.0	55.0	60.004	59.692	-0.311	0.900	-34.6	pass
300.0	55.0	300.004	299.906	-0.098	0.900	-10.9	pass

5 Frequency Test

Frequency Test LLOut 1

Amplitude in V	Nominal in Hz	Actual in Hz	Error in Hz	±Spec in Hz	of Spec in %	Verdict
5.0	500.00000	499.999741	-0.000259	0.000750	-34.5	pass

6 Low Level Output 1-6

6.1 Amplitude Accuracy

LL out 1

Nominal in V	Frequency in Hz	Actual in V	Error in mV	±Spec in mV	of Spec in %	Verdict
-7.0	0.0	-7.00108	-1.08	6.45	-16.7	pass
7.0	0.0	7.00131	1.31	6.45	20.4	pass
7.0	55.0	7.00124	1.24	4.95	25.0	pass

LL out 2

Nominal in V	Frequency in Hz	Actual in V	Error in mV	±Spec in mV	of Spec in %	Verdict
-7.0	0.0	-7.00074	-0.74	6.45	-11.5	pass
7.0	0.0	7.00145	1.45	6.45	22.4	pass
7.0	55.0	7.00105	1.05	4.95	21.2	pass

LL out 3

Nominal in V	Frequency in Hz	Actual in V	Error in mV	±Spec in mV	of Spec in %	Verdict
-7.0	0.0	-7.00089	-0.89	6.45	-13.8	pass
7.0	0.0	7.00139	1.39	6.45	21.6	pass
7.0	55.0	7.00129	1.29	4.95	26.1	pass

LL out 4

Nominal in V	Frequency in Hz	Actual in V	Error in mV	±Spec in mV	of Spec in %	Verdict
-7.0	0.0	-7.00051	-0.51	6.45	-7.8	pass
7.0	0.0	7.00144	1.44	6.45	22.3	pass
7.0	55.0	7.00098	0.98	4.95	19.7	pass

LL out 5

Nominal in V	Frequency in Hz	Actual in V	Error in mV	±Spec in mV	of Spec in %	Verdict
-7.0	0.0	-7.00080	-0.80	6.45	-12.4	pass
7.0	0.0	7.00113	1.13	6.45	17.4	pass
7.0	55.0	7.00106	1.06	4.95	21.5	pass

LL out 6

Nominal in V	Frequency in Hz	Actual in V	Error in mV	±Spec in mV	of Spec in %	Verdict
-7.0	0.0	-7.00066	-0.66	6.45	-10.3	pass
7.0	0.0	7.00165	1.65	6.45	25.5	pass
7.0	55.0	7.00117	1.17	4.95	23.6	pass

6.2 Harmonic Distortion (THD+N)
LL out 1

Amplitude in V	Frequency in Hz	Nominal THD+N in %	Actual THD+N in %	±Spec in %	of Spec in %	Verdict
7.0	55.0	0.0000	0.0029	0.0500	5.7	pass

LL out 2

Amplitude in V	Frequency in Hz	Nominal THD+N in %	Actual THD+N in %	±Spec in %	of Spec in %	Verdict
7.0	55.0	0.0000	0.0028	0.0500	5.6	pass

LL out 3

Amplitude in V	Frequency in Hz	Nominal THD+N in %	Actual THD+N in %	±Spec in %	of Spec in %	Verdict
7.0	55.0	0.0000	0.0032	0.0500	6.3	pass

LL out 4

Amplitude in V	Frequency in Hz	Nominal THD+N in %	Actual THD+N in %	±Spec in %	of Spec in %	Verdict
7.0	55.0	0.0000	0.0028	0.0500	5.6	pass

LL out 5

Amplitude in V	Frequency in Hz	Nominal THD+N in %	Actual THD+N in %	±Spec in %	of Spec in %	Verdict
7.0	55.0	0.0000	0.0028	0.0500	5.6	pass

LL out 6

Amplitude in V	Frequency in Hz	Nominal THD+N in %	Actual THD+N in %	±Spec in %	of Spec in %	Verdict
7.0	55.0	0.0000	0.0028	0.0500	5.6	pass

6.3 Phase Angle (relative to VA1)
LL out 1

Amplitude in V	Frequency in Hz	Nominal in °	Actual in °	Error in °	±Spec in °	of Spec in %	Verdict
5.0	55.57	0.000	-0.002	-0.002	0.100	-1.5	pass

LL out 2

Amplitude in V	Frequency in Hz	Nominal in °	Actual in °	Error in °	±Spec in °	of Spec in %	Verdict
5.0	55.57	0.000	-0.002	-0.002	0.100	-2.3	pass

LL out 3

Amplitude in V	Frequency in Hz	Nominal in °	Actual in °	Error in °	±Spec in °	of Spec in %	Verdict
5.0	55.57	0.000	-0.001	-0.001	0.100	-1.3	pass

LL out 4

Amplitude in V	Frequency in Hz	Nominal in °	Actual in °	Error in °	±Spec in °	of Spec in %	Verdict
5.0	55.57	0.000	-0.002	-0.002	0.100	-2.0	pass

LL out 5

Amplitude in V	Frequency in Hz	Nominal in °	Actual in °	Error in °	±Spec in °	of Spec in %	Verdict
5.0	55.57	0.000	-0.001	-0.001	0.100	-1.3	pass



LL out 6

Amplitude in V	Frequency in Hz	Nominal in °	Actual in °	Error in °	±Spec in °	of Spec in %	Verdict
5.0	55.57	0.000	-0.001	-0.001	0.100	-1.4	pass

7

Binary Output

Binary Output 1

Nominal State	Actual State	Verdict
open	open	pass
close	close	pass
open	open	pass

Binary Output 2

Nominal State	Actual State	Verdict
open	open	pass
close	close	pass
open	open	pass

Binary Output 3

Nominal State	Actual State	Verdict
open	open	pass
close	close	pass
open	open	pass

Binary Output 4

Nominal State	Actual State	Verdict
open	open	pass
close	close	pass
open	open	pass

8 **AUX DC**

Amplitude Accuracy

Nominal in V	Actual in V	Error in V	±Spec in V	of Spec in %	Verdict
66.0	66.28	0.28	3.30	8.4	pass
132.0	133.45	1.45	6.60	21.9	pass
264.0	267.60	3.60	13.20	27.3	pass

Appendix

Nomenclature

DUT:	Device Under Test
Actual:	Value measured by reference equipment
Nominal:	Nominal value output by the DUT or source
Measured:	Value measured by the device under test
Error:	Difference between the actual and nominal/measured value
	DUT output: Error = Actual – Nominal
	DUT input: Error = Measured – Actual
Spec:	Specification, i.e. allowed deviation
Of Spec:	Deviation from the specification in percent
	Of Spec = Error / Spec * 100
Amplitude:	Voltage or current amplitude (not assessed)
Frequency:	Nominal output frequency
Hysteresis:	Hysteresis = Upper Threshold – Lower Threshold
Threshold:	Value measured by reference equipment (upper threshold)
Range:	Range setting for DUT measurement
Verdict:	Evaluation of a measurement result
	n/a not assessed
	pass calibration / measurement result OK
	pass * calibration / measurement result OK but an adjustment at OMICRON is recommended
	fail return the unit to OMICRON for adjustment and calibration



Certificate of Calibration

Wirtanen Electric
a Finning Company
10235 - 180 Street Edmonton, AB T5S 1C1
PHONE: (780) 434-8421
www.catrents.ca



For Instrument :	Phenix 6CP50/10-3	Customer:	Shermco - Regina
Description :	50kV Dielectric Test Set		1033 Kearns Cres.
Serial Number :	19-3277		Regina, SK
Asset Number :	RF 54		S4P 3B2

Wirtanen Electric certifies that the above listed instrument meets or exceeds all specifications as stated in the referenced procedure (unless otherwise noted). It has been calibrated using measurement standards traceable to the National Research Council of Canada (NRC) or the National Institute of Standards and Technology (NIST), or to NIST accepted intrinsic standards of measurement, or derived by the ratio type of self-calibration techniques.

This report may not be reproduced, except in full, unless permission for the publication of an approved abstract is obtained in writing from the calibration organization issuing this report.

Quality Management system registered to ISO 9001: 2015

CALIBRATION INFORMATION

Cal Date:	8 Jul 2020	Temperature	20.7°C	Condition as Received/Returned:	IN TOLERANCE
Next Cal Due:	8 Jul 2021	Humidity	55 %		(Pass)
Remarks:					
Cal Procedure	Phenix 6CP50/10-3 50kVAC Dielectric Test Set	Revision	1.0		

STANDARDS USED FOR CALIBRATION

<u>Asset Number</u>	<u>Description</u>	<u>Cal Date</u>	<u>Due Date</u>
68383	North Star VD-180B 180kV High Voltage Probe	11 May 2020	11 May 2021
IW5447	Fluke 89IV Multimeter	11 Oct 2019	11 Oct 2020



Signed: _____

Justin Smith - Technician



Certificate of Calibration

Wirtanen Electric
a Finning Company
10235 - 180 Street Edmonton, AB T5S 1C1
PHONE: (780) 434-8421
www.catrents.ca



For Instrument :	AEMC 5050	Customer:	Shermco - Regina
Description :	MEGOHMMETER		1033 Kearns Cres.
Serial Number :	236285HHDV		Regina, SK
Asset Number :	RF 69		S4P 3B2

Wirtanen Electric certifies that the above listed instrument meets or exceeds all specifications as stated in the referenced procedure (unless otherwise noted). It has been calibrated using measurement standards traceable to the National Research Council of Canada (NRC) or the National Institute of Standards and Technology (NIST), or to NIST accepted intrinsic standards of measurement, or derived by the ratio type of self-calibration techniques.

This report may not be reproduced, except in full, unless permission for the publication of an approved abstract is obtained in writing from the calibration organization issuing this report.

Quality Management system registered to ISO 9001: 2015

CALIBRATION INFORMATION

Cal Date:	8 Jul 2020	Temperature	20.0°C	Condition as Received/Returned:	IN TOLERANCE
Next Cal Due:	8 Jul 2021	Humidity	40 %		(Pass)
Remarks:					
Cal Procedure	AEMC 5050 Megohmmeter	Revision	1.0		

STANDARDS USED FOR CALIBRATION

<u>Asset Number</u>	<u>Description</u>	<u>Cal Date</u>	<u>Due Date</u>
31922	Fluke 5520A Calibrator	21 May 2020	21 May 2021
IW5210	Fluke 80K-40 HV Probe	05 Dec 2019	05 Dec 2020
IW5447	Fluke 89IV Multimeter	11 Oct 2019	11 Oct 2020
IW5702	WECO 1M-100G Resistance Box	30 Aug 2019	30 Aug 2020



Signed: _____

Chad Coene - Technician



Certificate of Calibration

The CAT Rental Store
Wirtanen Division
10235 - 180 Street Edmonton, AB T5L 3B2
PHONE: (780) 434-8421
www.catrents.ca



For Instrument : AEMC 6240	Customer: Shermco - Regina
Description : MICRO-OHMMETER	1033 Kearns Cres.
Serial Number : 189368ELDV	Regina, SK
Asset Number : RF 7	S4P 3B2

The CAT Rental Store certifies that the above listed instrument meets or exceeds all specifications as stated in the referenced procedure (unless otherwise noted). It has been calibrated using measurement standards traceable to the National Research Council of Canada (NRC) or the National Institute of Standards and Technology (NIST), or to NIST accepted intrinsic standards of measurement, or derived by the ratio type of self-calibration techniques.

This report may not be reproduced, except in full, unless permission for the publication of an approved abstract is obtained in writing from the calibration organization issuing this report.

Quality Management system registered to ISO 9001: 2015

CALIBRATION INFORMATION

Cal Date: 24 Feb 2020	Temperature 19.2°C	Condition as Received/Returned: IN TOLERANCE
Next Cal Due: 24 Feb 2021	Humidity 35 %	(Pass)
Remarks:		
Cal Procedure AEMC 6240 Micro-ohmmeter	Revision 1.0	

STANDARDS USED FOR CALIBRATION

<u>Asset Number</u>	<u>Description</u>	<u>Cal Date</u>	<u>Due Date</u>
101294	Burster 1282-0.001 1 mOhm Standard Resistor	03 May 2019	03 May 2020
101295	Burster 1282-0.01 10 mOhm Standard Resistor	03 May 2019	03 May 2020
101296	Burster 1282-0.1 100 mOhm Standard Resistor	03 May 2019	03 May 2020
IW3240	GenRad 1433 Decade Box	24 Jun 2019	24 Jun 2020
IW5447	Fluke 89IV Multimeter	11 Oct 2019	11 Oct 2020
SR2	YEW 2792 1 ohm Resistor	19 Feb 2020	19 Feb 2021



Signed: _____

Chad Coene - Technician

SERIAL NUMBER: 189368ELDV ASSET NUMBER: RF 7

Report of Calibration

The CAT Rental Store
Wirtanen Division
10235 - 180 Street Edmonton, AB T5L 3B2
PHONE: (780) 434-8421
www.catrents.ca

UNIT UNDER TEST:	AEMC 6240 MICRO-OHMMETER	TEST RESULT:	PASS
SERIAL NUMBER:	189368ELD.V	PERFORMED ON:	24 February 2020
ASSET NUMBER:	RF 7	DATA TYPE:	FOUND-LEFT
PROCEDURE NAME:	AEMC 6240 Micro-ohmmeter	TEMPERATURE:	19.22 °C
PROCEDURE REV.:	1.0	HUMIDITY:	35 %
CALIBRATED BY:	Chad Coene		
P.O. NUMBER:			
CUSTOMER:	Shermco - Regina 1033 Kearns Cres. Regina, SK S4P 3B2		

The CAT Rental Store certifies that the above listed instrument meets or exceeds all specifications as stated in the referenced procedure unless otherwise noted. It has been calibrated using measurement standards traceable to the National Institute of Standards and Technology (NIST), or to NIST accepted intrinsic standards of measurement, or derived by the ratio type of self-calibration techniques.

This report may not be reproduced, except in full, unless permission for the publication of an approved abstract is obtained in writing from the calibration organization issuing this report.

Note: Any Test Uncertainty Ratio (TUR) that is less than four to one will appear under the "TUR" heading on the data record. If the TUR meets or exceeds four to one, the field is left blank.

REMARKS:

Standards Used

<u>Asset #</u>	<u>Description</u>	<u>Cal Date</u>	<u>Due Date</u>
101294	Burster 1282-0.001 1 mOhm Standard Resistor	5/3/2019	5/3/2020
101295	Burster 1282-0.01 10 mOhm Standard Resistor	5/3/2019	5/3/2020
101296	Burster 1282-0.1 100 mOhm Standard Resistor	5/3/2019	5/3/2020
IW3240	GenRad 1433 Decade Box	6/24/2019	6/24/2020
IW5447	Fluke 89IV Multimeter	10/11/2019	10/11/2020
SR2	YEW 2792 1 ohm Resistor	2/19/2020	2/19/2021

Test Results

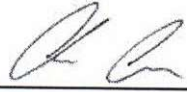
<u>Test Description</u>	<u>True Value</u>	<u>Test Result</u>	<u>Lower limit</u>	<u>Upper limit</u>	<u>Units</u>	<u>TUR</u>
10A - 4000 μ Ohm						
1A - 40 mOhm	1000.0000	1001.0000	995.5000	1004.5000	$\mu\Omega$	Pass
	1.0000	1.0100	0.9775	1.0225	m Ω	Pass
	10.0000	10.0100	9.9550	10.0450	m Ω	Pass
1A - 400 mOhm						
	10.0000	10.0000	9.7750	10.2250	m Ω	Pass
	100.0000	100.1000	99.5500	100.4500	m Ω	Pass
100mA - 4000 mOhm						
	100.0000	100.0000	97.7500	102.2500	m Ω	Pass

Test Results

<u>Test Description</u>	<u>True Value</u>	<u>Test Result</u>	<u>Lower limit</u>	<u>Upper limit</u>	<u>Units</u>	<u>TUR</u>
10mA - 40 Ohm	1000.0000	1003.0000	995.5000	1004.5000	mΩ	Pass
	5.0000	5.0100	4.9675	5.0325	Ω	Pass
10mA - 400 Ohm	35.0000	35.0100	34.8925	35.1075	Ω	Pass
	50.0000	50.0000	49.6750	50.3250	Ω	Pass
Current Output	390.0000	389.9000	388.8250	391.1750	Ω	Pass
10A - 4000 μOhm	10.00	10.16	9.00	11.00	ADC	Pass
1A - 40 mOhm	1.00	1.01	0.90	1.10	ADC	Pass
1A - 400 mOhm	1.00	1.01	0.90	1.10	ADC	Pass
100mA - 4000mOhm	100.00	99.95	90.00	110.00	mADC	Pass
10mA - 40 Ohm	10.00	10.15	9.00	11.00	mADC	Pass
10mA - 400Ohm	10.00	10.16	9.00	11.00	mADC	Pass

***** End of Certificate *****

Technician


Chad Coene - Technician

Document Title: Piapot Pump Station MV Metering Cabinet CSA Certificate Package

Document Number: 25472-101-V2A-EMMO-W0017

Revision Number: 1

PO Number: 4500249594

Material Requisition Number: 07 IE

Applicable Tag#: 127-PIAPT-B0-JIT-01



Shermco Industries
 1033 Kearns Cres.
 Regina, SK
 Canada, S4K 0A2
 (306) 949-8131

Supplier Rev.	Rev Date DD-MMM-YYYY	Reason for Issue	Supplier Name
0	13-Aug-2020	First Issue	Shermco Industries
1	30-Sept-2020	Needs to be Code 1	Shermco Industries



Vancouver:
1500 Brigantine Drive, Coquitlam BC V3K 7C1
Tel: 604-520-3321 Fax: 604-524-9186

Toronto :
6225 Kenway Drive, Mississauga ON L5T 2L3
Tel: 905-678-7820 Fax: 905-678-7131

Montreal :
1829, 32e Avenue, Lachine QC H8T 3J1
Tel: 514-631-3100 Fax: 514-631-1133

SPECIAL ELECTRICAL EQUIPMENT INSPECTION INSPECTION SPECIALE D'EQUIPEMENT ELECTRIQUE			
Submitter / Réquérant: Shermco Industries		Page: 1 of / De 12	Report No. / No. Rapport: 2020-BH-105
Client # / # De Client:		Equipment Description / Description de l'équipement:	
Address / Adresse: 1033 KEARNS CR. PO box 995		Control panel	
M.D.Y / M.J.A.: 07/28/2020	City / Ville: Regina	MARKING / MARQUAGE	
Province: Sask	Postal / Code Postal: S4p 3b2	Model / Modèle: 20-T262R-475	
Tel / Tél.: 306-949-8131	Email / Courriel: gcross@shermco.com	Mfr. / Fab.: Shermco Industries	Amps: 3000
EQUIPMENT IS AVAILABLE FOR INSPECTION AT (If different than above) L'EQUIPEMENT EST DISPONIBLE POUR INSPECTION AU (Si adresse differente)		Volts: 6.9KV	Hz: 60
Location / Emplacement:		Watts:	Phase: 3
Address / Adresse:		Connection: <input checked="" type="checkbox"/> Permanent <input type="checkbox"/> Cord/Cordon	
City / Ville:		Plugtype / Type de fiche:	
Postal / Code Postal:		HAS EQUIPMENT BEEN LISTED BY ANOTHER TESTING AGENCY? L'EQUIPEMENT EST-IL DEJA CERTIFIE PAR UN AUTRE ORGANISME? Yes/Oui <input type="checkbox"/> No / Non <input checked="" type="checkbox"/>	
Province:		ETL	UL
Tel:		FILE NO./NO DE DOSSIER:	

CONSTRUCTION	P/C	F/N	N/A	CONSTRUCTION	P/C	F/N	N/A
1. Enclosure/Boitier	<input checked="" type="checkbox"/>			7. Overload/protection de surcharge	<input checked="" type="checkbox"/>		
2. Openings/Ouverture	<input checked="" type="checkbox"/>			8. Overcurrent/protection de surintensité			<input checked="" type="checkbox"/>
3. Components/Composants	<input checked="" type="checkbox"/>			9. Bonding grounding/Mise à la masse, terre	<input checked="" type="checkbox"/>		
4. Comp mounting/Montage de comp.	<input checked="" type="checkbox"/>			10. Supply cord/Cordon d'alimentation	<input checked="" type="checkbox"/>		
5. Internal wiring/Filage interne	<input checked="" type="checkbox"/>			11. Marking/Marquage	<input checked="" type="checkbox"/>		
6. Clearance/Espacement	<input checked="" type="checkbox"/>						

Sample Size/ Grandeur d'échantillon :	1
Batch Size/ Nombre d'échantillon :	1

P/C – Passed/Conforme F/N – Failed/Non conforme N/A – Non applicable/Non applicable

WERE ADDITIONAL RELATED STANDARDS USED IN THIS EVALUATION? YES / NO STANDARD(S) USED: **C22.2 NO.-31-18**
DES NORMES RELATIVES ADDITIONNELLES ONT-ELLES ETES UTILISEES ? OUI / NON NORMES(S) UTILISEE(S) :

#	SERIAL # / # DE SERIE	LABEL / ETIQUETTE	#	SERIAL # / # DE SERIE	LABEL / ETIQUETTE
1	12476-01	C-2007700	6		
2			7		
3			8		
4			9		
5			10		

Alterations Required / Modifications requises Yes/Oui No/Non Alterations Completed/ Non-conformités corrigées Yes/Oui No/Non

1			
2			
3			
4			
5	See attached BOM, all components on pages 4 and 5 are certified and acceptable for the application		
6			
7			
8	GST #: 845407378		

LABEL NUMBERS ISSUED :
NUMEROS D'ETIQUETTES EMISES : FROM / DE: C-2007700 TO / A:

I/WE AGREE TO ABIDE BY THE CONDITIONS AND LIMITATIONS OF THE INTERTEK TESTING SERVICES ELECTRICAL EQUIPMENT INSPECTION SERVICE AGREEMENT AND TO PAY ALL COSTS IN CONNECTION WITH THE EXAMINATION, TESTING AND LABELLING OF THE ABOVE EQUIPMENT. J/NOUS ACCEPTONS DE NOUS CONFORMER AUX CONDITIONS ET LIMITATIONS DE L'ACCORD DE SERVICE D'INSPECTION D'EQUIPEMENT ET A PAYER TOUS LES FRAIS SE RATTACHANT AUX EVALUATIONS, ESSAIS ET MARQUAGE DE L'EQUIPEMENT MENTIONNE CI-DESSUS.	Labels/Etiquettes	1	@ 10	\$ 10.00
	Labels/Etiquettes		@	\$ 0.00
	Name plate/Plaque signalitique		@	\$ 0.00
	Inspection Hrs/ Hres	2.5	@ 195	\$ 487.50
	Travel Hrs / Hres de transport		@	\$ 0.00
	KM		@	\$ 0.00
	Expenses/Dépenses		@	\$ 0.00
	PAYMENT METHOD MODE DE PAIEMENT		Subtotal Sous Total	\$ 497.50
	Credit card/carte de crédit		GST/TPS 5%	\$ 24.88
	AUTH # / # AUT		QST/TVQ 0%	\$ 0.00
CHEQUE #		HST/TVH 0%	\$ 0.00	
P.O. #	000955	TOTAL	\$ 522.38	

DEREK MUCHA	Brad Helgason
Print Name / Lettres moulées	Print name / Lettres moulées
Submitter's Signature/Signature du réquérant	Inspector's Signature/Signature de l'inspecteur
07/28/2020	
M/D/Y – M/J/A	(READ PAGE 3 BEFORE SIGNING – LIRE PAGE 3 AVANT DE SIGNER)

SPECIAL ELECTRICAL EQUIPMENT INSPECTION INSPECTION SPECIALE D'EQUIPEMENT ELECTRIQUE

Submitter / Réquérant: Shermco Industries

Page:2 of / De 12

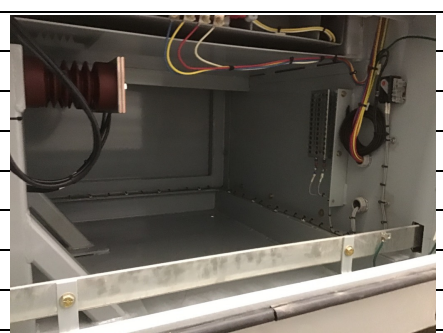
Report No./ No. Rapport: 2020-BH-105

Critical Components / Composantes Critiques

Certified/Certifié

Yes/Oui

No/Non



TESTING	P/C	F/N	N/A
1. Dielectric Strength / Rigidite Dielectrique	✓		
Voltage / Voltage 21K V <input checked="" type="checkbox"/> AC <input type="checkbox"/> DC			
Duration / Temps 60 Sec			
2. Strain Relief / Arret de Traction			✓
Value / Valeur			
3. Leakage Current / Courant de Fuite			✓
Value / Valeur			
4. Flame Test / Test de Flammabilité			✓
5. Other / Autre			✓

Equipment Inspection Service Agreement / Entente de service d'inspection d'équipement

I/We request Intertek to perform evaluation and testing of equipment to:

Je/Nous demande(ons) à ce que Intertek effectue des essais et évaluation d'équipement selon les normes:

CSA Special Publication, SPE-1000-13, model-code for the Field Evaluation of Electrical Equipment.

CSA publication spéciale, SPE-1000-13, code de référence pour l'évaluation à pied d'oeuvre d'équipement électrique

This Model Code does not apply to the re-evaluation of equipment that has been rejected due to the results of a previous evaluation conducted by a certification organization through any other existing certification service.

We understand that the Special Inspection Service will not be considered as having been completed until payment in full has been received by Intertek. Intertek reserves the right to remove labels from any equipment related to a delinquent account.

We affirm that all cost incurred by Intertek to perform this service shall be borne by the submitter and that the test to be performed to evaluate the products have been disclosed and do not make Intertek or the authority liable in any way for non-performance or malfunction of the products during or subsequent to the tests.

We understand that this Special Inspection Service is not a substitute for Intertek Certification but rather a service offered by Intertek on behalf of participating Provinces and Territories in response to extenuating circumstances. We therefore understand that the final acceptance of our equipment is at the discretion of the local government electrical inspection authority having jurisdiction. We also understand that Intertek in no way implies that this evaluation will satisfy the requirements of other inspection authorities, especially the gas inspection authority, building inspection authority, Workers' Compensation Board etc.

We understand that the Special Inspection Service does not make provision for the documenting of the construction of our product, hence each and every future batch must be completely re-evaluated. We realize that if we wish to take advantage of the similarity of construction of future shipments we must apply for Intertek Certification.

We agree to indemnify and hold harmless Intertek, its members, directors, officers and employees against any and all liability and costs if any of the products of the accepted batch subsequently prove hazardous and by reason, or in consequence of, any acts or omissions of the clients, in respect of the right granted herein to us the Special Inspection Label in connection with the above product, whether authorized or unauthorized.

We understand that it is our responsibility to ensure that the Intertek inspector has examined all units as requested and will verify that the list of serial numbers examined is complete before the Intertek inspector leaves our premises.

We understand that if the Intertek label is damaged or deteriorates, it may void the approval. We understand that Intertek does not in any way guarantee the durability or adhesion properties of the Intertek label.

We agree that any liability attached to the Special Inspection Service to be borne by Intertek is limited to the fee charged.

We agree to inform Intertek if we become aware of any situation where a product/service/system bearing an inspection label could lead to a potential hazard, and to investigate and take appropriate corrective action in accordance with CAN-P-1527, if required.

In accordance with CAN-P-1608, the Standards Council of Canada is the final level in disputes between Intertek and the client regarding conformance with accreditation criteria. Both parties shall abide by all SCC decisions pertaining to accreditation criteria.

Ce code de référence ne s'applique pas à la réévaluation d'équipement qui a été rejeté dû aux résultats d'une évaluation précédente effectuée par un organisme de certification ou par tout autre service de certification.

Nous comprenons que le service d'inspection spéciale ne sera considéré comme étant complété que si un paiement complet a été reçu par Intertek. Intertek se réserve le droit de retirer les étiquettes sur tout équipement se rattachant à un compte délinquant.

Nous déclarons que les coûts encourus par Intertek pour assurer ce service sont à la charge du requérant et que les essais à exécuter pour évaluer les produits ont été rapportés et ne tiennent de quelque façon que ce soit Intertek ou les autorités responsables de la non-performance ou du mal fonctionnement des produits pendant et/ou après les essais.

Nous comprenons que le service d'inspection spéciale n'est pas un substitut au programme de certification d'intertek mais plutôt un service offert par Intertek au nom des provinces et territoires participants en réponse à des circonstances atténuantes. Nous comprenons de ce fait que l'acceptation finale de notre équipement est à la discrétion des autorités ayant juridiction. Nous comprenons aussi qu'en aucun cas Intertek ne prétend que cette évaluation répondra aux exigences d'autres services d'inspection, particulièrement le service d'inspection du gaz, d'inspection en bâtiments, de la CSST etc...

Nous comprenons que le service d'inspection spéciale ne pourvoit pas à la documentation de la construction de votre produit, par conséquent chaque lot futur devra être complètement réévalué. Nous réalisons que si nous souhaitons tirer profit de la similitude de la construction des expéditions futurs nous devons souscrire au programme de certification d'Intertek.

Nous nous engageons à indemniser et à dégager Intertek, ses membres, directeurs, officiers et employés contre toute responsabilité, toute perte ou tout dommage résultant de réclamations, de requêtes, de coûts (incluant les frais juridiques), ou de jugements si le ou les produits(s) devenait (aient) dangereux découlant d'actes de négligence ou intentionnels de la part du client ou d'un tiers relativement au produit auquel est apposé l'étiquette d'inspection spéciale, qu'ils soient autorisés ou non.

Nous comprenons qu'il est de notre responsabilité de s'assurer que l'inspecteur d'intertek ait examiné toutes les unités tel que demandé et vérifié que la liste des numéros de série est complète avant que celui-ci ne quitte les lieux.

Nous comprenons que s'il advenait qu'une étiquette soit détériorée ou endommagée cela pourrait invalider la reconnaissance de l'évaluation de notre produit. Nous comprenons qu'Intertek ne garantit pas la longévité ou les propriétés d'adhérence des étiquettes.

Nous reconnaissons que la responsabilité se rattachant au service de l'inspection spéciale à être effectuée par Intertek se limite aux facturés.

Nous consentons à informer Intertek si nous apercevons une situation là où un produit/service/système ayant une étiquette d'inspection peut conduire à un hazard potentiel, et d'examiner et prendre l'action corrective appropriée conformément à CAN-P-1527 si requis.

Conformément à la CAN-P-1608, le Conseil Canadien des Normes est le niveau supérieur et final dans les litiges entre Intertek et le client en ce qui concerne la conformité aux critères d'accréditation. Les deux parties doivent respecter toutes les décisions du Conseil concernant les critères d'accréditation.

Document Title: Quality Certificate (ISO9001 Equivalent)

Document Number: 25472-101-V2A-EMM0-W0019

Revision Number: 0

PO Number: 4500249594

Material Requisition Number: 06, 07, & 08 YX

Applicable Tag#: 126-FXVLY-B0-JIT-01, 127-PIAPT-B0-JIT-01, 128-GRSSY-B0-JIT-01



Shermco Industries
1033 Kearns Cres.
Regina, SK
Canada, S4K 0A2
(306) 949-8131

Supplier Rev.	Rev Date DD-MMM-YYYY	Reason for Issue	Supplier Name
0	29-Jun-2020	First Issue	Shermco Industries



Shermco industries
One Line. One Company.

Quality Manual

2016 Edition

Revision 0



shermco.com



TABLE OF CONTENTS

1.0 Introduction..... 5

2.0 Policy & Objectives 6

3.0 Definitions 7

4.0 Quality System..... 7

5.0 Organization..... 8

6.0 Authority & Responsibilities 9

6.1 Executive Responsibility 9

6.2 Quality Assurance Manager 9

6.3 Director of Engineering..... 9

6.4 Corporate Controller..... 10

6.5 Safety Manager and Coordinators 10

6.6 Department Managers 10

6.7 Business Development Managers..... 11

6.8 Support Engineers 11

6.9 Technical Staff 11

6.10 Logistics Coordinator 11

6.11 Accounting Clerks 12

6.12 Department Administrator..... 12

6.13 Reception..... 12

7.0 Project Management Procedures..... 13

7.1 Initiating 13

7.1.1 Pre-Approval 13

7.1.2 Organizing Information..... 14

7.1.3 Contract Work Review 14

7.1.4 Management Approval 15

7.1.5 Formal Proposal 15

7.2 Planning..... 16

7.2.1 Project Review 17

7.2.2 Risk Management* 17

7.2.3 Resources 18

7.2.4 Communication 19

7.2.5 Work Breakdown 20

7.2.6 Quality Requirements..... 20

7.2.7 Safety Requirements..... 20

7.3 Executing..... 21

7.4 Monitoring and Controlling..... 21

7.4.1 Monitoring..... 22

7.4.2 Control..... 22

7.5 Closing 24

8.0 Operational Controls..... 25

8.1 Operational Controls - Human Resources..... 25

8.1.1 Requirements and Qualifications 25

8.1.2 Worker Aptitude and Competency 26

8.1.3 Employee Certifications and Designations 26





8.2	Operational Controls – Accounting.....	28
8.3	Operational Controls – I.T. Services	28
8.3.1	Control of Access	28
8.3.2	Security.....	29
8.3.3	Reliability	29
8.3.4	Recovery.....	30
8.3.5	Retention	30
8.4	Operational Controls – Shipping & Receiving.....	31
8.4.1	Receiving.....	31
8.4.2	Shipping	32
8.4.3	Storage / Preservation.....	32
8.4.4	Deficient and Rejected Materials	33
8.5	Operational Controls – Training.....	34
8.5.1	Orientation.....	34
8.5.2	Aptitude, Competence, and Learning.....	35
8.6	Operational Controls – Document Control and Storage *.....	37
8.6.1	New Documents	37
8.6.2	Documentation Identification.....	38
8.6.3	Document Review and Approval	38
8.6.4	Distribution and Control.....	39
8.6.5	Revisions and Amendments	39
8.7	Operational Controls – Reporting	40
8.7.1	Technical and Engineering Reports.....	40
8.7.2	Deficiency Reporting and Follow-up	41
8.7.3	Corrective / Preventative Actions.....	43
8.8	Operational Controls – Equipment Maintenance	44
8.8.1	Production Equipment.....	44
8.8.2	I.T. Services Equipment.....	44
8.8.3	Testing Equipment	45
8.8.4	Damaged or Deficient Equipment.....	45
8.9	Operational Controls – Management Reviews and Internal Audits.....	46
8.9.1	Management Reviews	46
8.9.2	Internal Audits.....	47
9.0	Engineering.....	48
9.1	Design.....	48
9.1.1	Scope and Requirements	48
9.1.2	Conceptual / Preliminary Design	49
9.1.3	Detailed Design	49
9.1.4	Review / Approval Process	50
9.1.5	Post-Design	50
9.1.6	Drawing Controls	51
9.2	Third-Party Review/Audit.....	52
9.3	Data Collection.....	53
9.3.1	Identifying the Data.....	53
9.3.2	Collecting the Data.....	53





Shermco Industries
One Line. One Company.

9.3.3	Transmitting Data.....	54
9.3.4	Data Records	54
9.4	Power System Study.....	55
9.4.1	Types of Studies	55
9.4.2	System Modelling and Simulation	57
9.4.3	Review of Analysis Data	58
9.4.4	Referenced Standards and Software	58
9.5	Databases and Technical Library	60
9.6	Electrical Maintenance – Needs Assessment	61
9.7	Project Feasibility Studies	61
9.8	Continual Improvement.....	62
10.0	Technical Services	63
10.1	Systems and Apparatus Testing	63
10.1.1	Commissioning.....	64
10.1.2	Acceptance Testing	64
10.1.3	Maintenance Testing	65
10.2	Transformer Assembly and Vacuum Filling	66
10.2.1	Transformer Assembly	68
10.2.2	Filling Transformer with Oil	69
10.3	System Investigation / Failure Analysis	71
10.3.1	Process for Failure Analysis / System Investigation	71
10.4	Temporary Modifications	72
10.4.1	Why make a Temporary Modification (T-mod).....	73
10.4.2	Common T-mods.....	73
10.4.3	Temporary Modification Best Practice	73
10.5	Special Deficiency Reporting.....	74
10.5.1	Special Deficiency Reporting.....	74
10.6	Continual Improvement.....	75
11.0	Electrical Maintenance and Shop Services	77
	References.....	78
	NETA	78
	Professional Electrical Apparatus Recyclers League (PEARL)	78
	CSA Standards	78
	IEEE	79
	ANSI – American National Standards Institute	79
	Appendix a – design standards.....	80
	Drawing Categories / Classifications	80
	File Index List.....	81
	Naming and Numbering Conventions.....	81
	Drawing Titles	81
	Drawings Numbering.....	81
	Wire Numbering	82
	PLC Numbering	83
	Drawing Revisions.....	83



Document Title: Operating & Maintenance Manual

Document Number: 25472-101-V2A-EMMO-W0020

Revision Number: 3

PO Number: 4500249594

Material Requisition Number: 06, 07, & 08 OE

Applicable Tag#: 126-FXVLY-B0-JIT-01, 127-PIAPT-B0-JIT-01, 128-GRSSY-B0-JIT-01



Shermco Industries
1033 Kearns Cres.
Regina, SK
Canada, S4K 0A2
(306) 949-8131

Supplier Rev.	Rev Date DD-MMM-YYYY	Reason for Issue	Supplier Name
0	29-Jun-2020	First Issue	Shermco Industries
1	16-Jul-2020	Datasheet line items were cross referenced with physical cabinet components.	Shermco Industries
2	6-Aug-2020	Kirk Key interlock diagram & general maintenance practices added.	Shermco Industries
3	27-Aug-2020	Added Manufacture infor to datasheet	Shermco Industries

General Maintenance Information

Buses:

- When de-energized & locked out, look for cracked insulation along the buses. Any damaged insulation needs to be replaced.
- Ensure the buses are clean. Recommended cleaner is a dry cloth or denatured alcohol. Do not use cleaners that leave behind residue.
- Ensure all insulators are clean. Recommended cleaner is a dry cloth or denatured alcohol. Do not use cleaners that leave behind residue.

Bushings:

- Inspect each bushing for cracks & damage. If cracks or damage exist, the bushing will have to be replaced.
- When de-energized & locked out, clean the bushing. Recommended cleaner is a dry cloth or denatured alcohol. Do not use cleaners that leave behind residue. Apply collinite wax after cleaning is complete.

Instrument Transformer Drawer:

- When de-energized & locked out, inspect the drawer. There should not be very much resistance when pulling out or pushing back in. If there is, lubrication of the slides the drawer sits in will need to be applied.
- Ensure no debris exists inside the drawer. Inspect the condition of the PT & CT wiring.

Potential Transformer:

- Refer to ANSI/NETA MTS (Section 7.10.2 - Instrument Transformers, Current Transformers) for Maintenance Testing procedures.
- Do not work on any components while energized.

Current Transformer:

- Refer to ANSI/NETA MTS (Section 7.10.1 – Instrument Transformers, Voltage Transformers) for Maintenance Testing procedures.
- Do not work on any components while energized.

Isolated Neutral Bus:

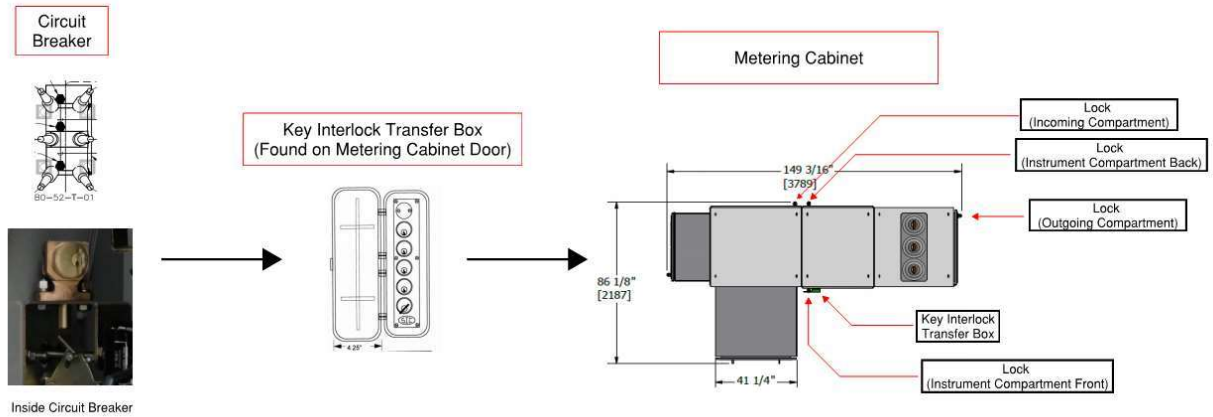
- Remove cable connections and clean with a dry rag. Apply contact lubricant to cable connections if applicable.
- Do not work on any components while energized.

Kirk Key Operation Procedure

INTERLOCK KEY SCHEME:

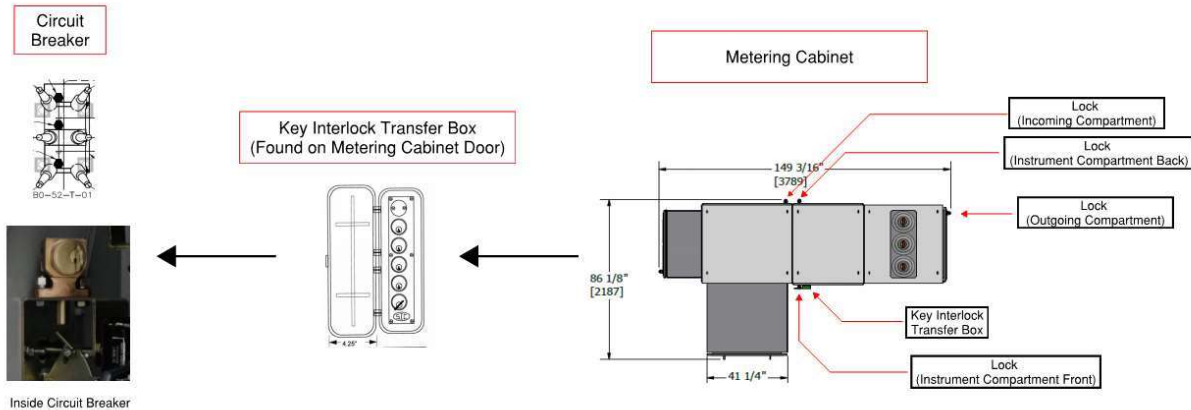
INITIAL CONDITION:

HVCB IS CLOSED WITH KEY "A" CAPTIVE IN ITS RESPECTIVE KEY INTERLOCK. METERING CABINET COMPARTMENTS ARE LOCKED CLOSED WITH NO KEYS PRESENT IN THEIR RESPECTIVE KEY INTERLOCKS. THE 5-KEY TRANSFER INTERLOCK HAS FOUR "B" KEYS CAPTIVE IN ITS SECONDARY CYLINDER POSITIONS.



TO HAVE ACCESS TO METERING CABINET COMPARTMENTS:

1. OPEN HVCB
2. TURN KEY "A" ON LO INTERLOCK ON HVCB TO LOCK OPEN. KEY "A" IS NOW FREE.
3. INSERT KEY "A" IN THE 5-KEY TRANSFER INTERLOCK AND TURN. KEYS "B" ARE NOW FREE.
4. USE THE "B" KEYS TO UNLOCK THE METERING CABINET DOORS.



REVERSE SEQUENCE TO RESTORE SERVICE.

MV METERING CABINET DATA SHEET

SHT 1 OF 4


CLIENT: TRANSCANADA KEYSTONE PIPELINE LIMITED PARTNERSHIP TAG NO.: NOTE 2
 PROJECT: KEYSTONE XL OIL PIPELINE SERVICE: MEDIUM VOLTAGE METERING CABINET
 EQ. SPEC.: 25472-101-3PS-EM00-W0001 SITE: VARIOUS CANADIAN PUMPING STATIONS

MANUFACTURER: NOTE 1 Magna Electric Corporation (MEC) MODEL: NOTE 1 Not Applicable
 SERIAL NO.: NOTE 1 12475-01 (Fox Valley), 12476-01 (Piapot), 12477-01 (Grassy Creek) NO. REQUIRED: 3

DESCRIPTION	SPECIFIED	VENDOR	Rev
ENVIRONMENTAL CONDITIONS:			
ELEVATION (m)	LESS THAN 1000m	✓	
OUTDOOR AMBIENT TEMPERATURE MIN/MAX (°C)	-40C TO +40C	✓	
AREA CLASSIFICATION	UNCLASSIFIED		
ENVIRONMENT	WIND BLOWN DUST AND DEBRIS, RAIN, SNOW	✓	
HUMIDITY	95% (MAX)	✓	
SEISMIC DATA	PER 25472-100-3PS-S000-W0002 CLIMATIC DATA DOCUMENT		
POWER SUPPLY (6.9KV CLASS):			
LINE TO LINE VOLTAGE (kV)	6.9	✓	
LINE TO GROUND VOLTAGE (kV)	4.0	✓	
LINE TO LINE MAXIMUM CONTINUOUS VOLTAGE (kV)	7.6	✓	
BIL (kV)	110	✓	
PHASES	3	✓	
GROUNDING	RESISTANCE (NGR), 25A, 10 SEC	✓	
FREQUENCY (HZ)	60	✓	
SHORT CIRCUIT AVAILABLE			
SLG (A)	25	✓	
3 PHASE (MVA)	500	✓	
INCOMING SUPPLY CONDUCTOR	15kV, MC-HL, SHIELDED, SINGLE CONDUCTOR CABLE (4C x 750 MCM PER PH.)	✓	
GENERAL REQUIREMENTS			
VOLTAGE RATING (V)	6900	✓	
FREQUENCY (Hz)	60	✓	
PHASES	3	✓	
ENCLOSURES	OUTDOOR RATED METAL ENCLOSED	✓	
EQUIPMENT TAGGING	(NOTE 2) (Site Specific)	✓	
WEIGHT (TOTAL)	(NOTE 1) Approx. 5000 lbs	✓	
OVERALL DIMENSIONS (W X D X H)	(NOTE 1) 12.5' L x 7.5' W x 11.5' H	✓	
PROVISION FOR FUTURE EXPANSION	NOT REQ'D		
SURGE ARRESTOR	NOT REQ'D		
TERMINAL BLOCKS	MIN. 20% SPARE TERMINALS		
GENERAL STRUCTURE REQUIREMENTS			
CONSTRUCTION			
TYPE	NEMA 4	✓	
PROVISION FOR INFRARED SCANNING	NOT REQ'D		
BACK TO BACK MOUNTING	NOT REQ'D		
SIDE BY SIDE MOUNTING	NOT REQ'D		
FINISH - EXTERIOR	ANSI 61 GREY	✓	
FINISH - INTERIOR	ANSI 61 GREY	✓	
MAIN POWER BUS			
BRACING	40KA MIN. (SYMMETRICAL)	✓	
MATERIAL	SILVER PLATED CU.	✓	
INSULATION	REQ'D	✓	
BUS SUPPORT	REQ'D	✓	
MINIMUM CONTINUOUS CURRENT RATING	3000A	✓	

NOTES:

- Vendor to fill in data.
- MV Metering Cabinet tags per separate tagging list, see Sheet 4 of 4.

	JOB NO. 08E4490	REV	DATE	ISSUED FOR	BY	CHKD	APPD
	DATASHEET NO. 25472-101-ESD-EM00-W0001	0D	JAN 19, 2012	IFQ	NL	FM	EJ
		0C	OCT 05, 2011	IFR	RS		
		0B	SEPT 15, 2011	IFR	RS	FM	RL
		0A	AUG 22, 2011	IDR	RS	CP	RL

MV METERING CABINET DATA SHEET

SHT 2 OF 4


CLIENT: TRANSCANADA KEYSTONE PIPELINE LIMITED PARTNERSHIP TAG NO.: NOTE 2
 PROJECT: KEYSTONE XL OIL PIPELINE SERVICE: MEDIUM VOLTAGE METERING CABINET
 EQ SPEC: 25472-101-3PS-EM00-W0001 SITE: VARIOUS CANADIAN PUMPING STATIONS

MANUFACTURER: NOTE 1 Magna Electric Corporation (MEC) MODEL: NOTE 1 Not Applicable
 SERIAL NO.: NOTE 1 12475-01 (Fox Valley), 12476-01 (Piapot), 12477-01 (Grassy Creek) NO. REQUIRED: 3

DESCRIPTION	SPECIFIED	VENDOR	Rev
STRUCTURE REQUIREMENTS (CONT'D)			
GROUND BUS			
MINIMUM CONTINUOUS CURRENT RATING	600A		✓
MATERIAL	SILVER PLATED CU.		✓
GROUNDING STUDS C/W COVERS	REQ'D		✓
SPACE HEATER			
SPACE HEATER VOLTAGE	120V, 1-PH		✓
SPACE HEATER THERMOSTAT	REQ'D		✓
SPACE HEATER POWER	120VAC EXTERNAL - NORMAL		✓
INCOMING TERMINATION COMPARTMENT			
SIDE MOUNTED BUSHINGS WITH TERMINAL BOX	REQ'D		✓
MANUFACTURER	(NOTE 1) Lapp Insulators		✓
TYPE	PORCELAIN		✓
VOLTAGE RATING (V)	15000		✓
CURRENT RATING (A)	4000		✓
INSULATION	PORCELAIN		✓
BIL (kV)	110		✓
CREEPAGE	HIGH STRENGTH WITH CREEPAGE ≥ 35 mm/kV L-Gnd.		✓
EXTERIOR TERMINATION	SUITABLE TO CONNECT 15kV, MC-HL, SHIELDED, SINGLE CONDUCTOR CABLE (4 NOS. x 750 MCM PER PH.)		✓
DIMENSIONS (W X D X H)	(NOTE 1)		✓
BACK ACCESS	REQ'D		✓
INSTRUMENT TRANSFORMERS COMPARTMENT			
INSTRUMENT TRANSFORMERS - METERING	3 PT'S, 3 CT'S (SUPPLIED BY UTILITY)		✓
PHASE CT ACCURACY CLASS AND BURDEN	TBD		
PHASE CT RATIO	3000:5		✓
VT ACCURACY CLASS	TBD		
VT BIL RATING	75kV		✓
DIMENSIONS (W X D X H)	(NOTE 1)		✓
FRONT / REAR / ACCESS	REQ'D		✓
OUTGOING TERMINATION COMPARTMENT			
OUTDOOR ROOF MOUNTED BUSHINGS	REQ'D		✓
MANUFACTURER	(NOTE 1) Lapp Insulators		✓
TYPE	PORCELAIN		✓
VOLTAGE RATING (V)	15000		✓
CURRENT RATING (A)	4000		✓
INSULATION	PORCELAIN		✓
BIL (kV)	110		✓
CREEPAGE	HIGH STRENGTH WITH CREEPAGE ≥ 35 mm/kV L-Gnd.		✓
EXTERIOR TERMINATION	SUITABLE TO CONNECT 15kV, MC-HL, SHIELDED, SINGLE CONDUCTOR CABLE (4 NOS. x 750 MCM PER PH.)		✓
DIMENSIONS (W X D X H)	(NOTE 1)		✓
SIDE ACCESS	REQ'D		✓

NOTES:

- Vendor to fill in data.
- MV Metering Cabinet tags per separate tagging list, see Sheet 4 of 4.

	JOB NO	08E4490	REV	DATE	ISSUED FOR	BY	CHKD	APPD
	DATASHEET NO	25472-101-ESD-EM00-W0001	0D	JAN 19, 2012	IFQ	NL	FM	EJ
			0C	OCT 05, 2011	IFR	RS	FM	RL
			0B	SEPT 15, 2011	IFR	RS	FM	RL
			0A	AUG 22, 2011	IDR	RS	CP	RL

MV METERING CABINET DATA SHEET


SHT 3 OF 4

CLIENT	TRANSCANADA KEYSTONE PIPELINE LIMITED PARTNERSHIP	TAG NO.	NOTE 2
PROJECT	KEYSTONE XL OIL PIPELINE	SERVICE	MEDIUM VOLTAGE METERING CABINET
EQ. SPEC.	25472-101-3PS-EM00-W0001	SITE	VARIOUS CANADIAN PUMPING STATIONS
MANUFACTURER	NOTE 1	MODEL	NOTE 1
SERIAL NO.	NOTE 1	NO. REQUIRED	3

DESCRIPTION	SPECIFIED	VENDOR	Rev
METER COMPARTMENT			
METERING	SUPPLIED AND INSTALLED BY UTILITY	✓	
PROVISIONS FOR SECONDARY BACK UP METER	REQ'D	✓	
METER SOCKET TYPE	13-JAW COMBINATION	✓	
REQUIREMENTS	120V AC DUPLEX RECEPTACLE	✓	
COMMUNICATION (SUPPLIED BY UTILITY)	REQ'D	✓	
DIMENSION (W X D X H)	914mm X 457mm X 850mm	✓	
OTHER TECHNICAL REQUIREMENTS			
CODES AND STANDARDS	PER SPECIFICATION 25472-101-3PS-EM00-W0001	✓	
TESTING	PER SPECIFICATION 25472-101-3PS-EM00-W0001	✓	

NOTES:

- 1. Vendor to fill in data.
- 2. MV Metering Cabinet tags per separate tagging list, see Sheet 4 of 4.

 WorleyParsons resources & energy	JOB NO.	08E4490				
	DATASHEET NO.	25472-101-ESD-EM00-W0001				
	REV	DATE	ISSUED FOR	BY	CHKD.	APPD.
	0D	JAN 19, 2012	IFQ	NL	FM	EJ
	0C	OCT 05, 2011	IFR	RS	FM	RL
0B	SEPT 15, 2011	IFR	RS	CP	RL	
0A	AUG 22, 2011	IDR	RS			

MV METERING CABINET DATA SHEET

SHT 4 OF 4

CLIENT: TRANSCANADA KEYSTONE PIPELINE LIMITED PARTNERSHIP TAG NO.: NOTE 2
 PROJECT: KEYSTONE XL OIL PIPELINE SERVICE: MEDIUM VOLTAGE METERING CABINET
 EQ. SPEC.: 25472-101-3PS-EM00-W0001 SITE: VARIOUS CANADIAN PUMPING STATIONS


MANUFACTURER: NOTE 1 Magna Electric Corporation (MEC) MODEL: NOTE 1 Not Applicable
 SERIAL NO.: NOTE 1 12475-01 (Fox Valley), 12476-01 (Piapot), 12477-01 (Grassy Creek) NO. REQUIRED: 3

METERING CABINET TAGGING DATA

PUMPING STATION	PROVINCE	TAG NO.
FOX VALLEY PS-6	SASKATCHEWAN	126-FXVLY-B0-JIT-01
PIAPOT PS-7	SASKATCHEWAN	127-PIAPT-B0-JIT-01
GRASSY CREEK PS-8	SASKATCHEWAN	128-GRSSY-B0-JIT-01

NOTES:

1. Vendor to fill in data.
2. MV Metering Cabinet tags per separate tagging list, see Sheet 4 of 4.

 WorleyParsons <small>resources & energy</small>	JOB NO. <u>08E4490</u>	REV.	DATE	ISSUED FOR	BY	CHKD.	APPD.
	DATASHEET NO. <u>25472-101-ESD-EM00-W0001</u>	0D	JAN 19, 2012	IFQ	NL	FM	EJ
		0C	OCT 05, 2011	IFR	RS	FM	RL
		0B	SEPT 15, 2011	IFR	RS	FM	RL
		0A	AUG 22, 2011	IDR	RS	CP	RL



WorleyParsons

resources & energy

EcoNomics

TRANSCANADA PIPELINES LIMITED

Medium Voltage Metering Cabinet Specification

Bechtel Document No.: 25472-101-3PS-EM00-W0001

Keystone Pipeline – Phases 3 & 4
Keystone XL Oil Pipeline

Project No.: 08E4490

WorleyParsons Canada
Edmonton Division
#120, 5008 -- 86th Street
Edmonton, Alberta T6E 5S2 Canada
Telephone +1 780 440 5300
Facsimile +1 780 440 5555
www.worleyparsons.com

Incorporating Colt Engineering



**TRANSCANADA PIPELINES LIMITED
MEDIUM VOLTAGE METERING CABINET
SPECIFICATION**

Disclaimer

This Report is conceptual in nature and represents the work of WorleyParsons Canada (WorleyParsons) performed to recognized engineering principles and practices appropriate for conceptual engineering work and the terms of reference provided by WorleyParsons' contractual customer TransCanada Keystone Pipeline Limited Partnership (the "Customer"). This Report may not be relied upon for detailed implementation or any other purpose not specifically identified within this Report. This Report is confidential and prepared solely for the use of the Customer. The contents of this Report may not be used or relied upon by any party other than the Customer, and neither WorleyParsons, its sub-consultants nor their respective employees assume any liability for any reason, including, but not limited to, negligence, to any other party for any information or representation herein. The extent of any warranty or guarantee of this Report or the information contained therein in favor of the Customer is limited to the warranty or guarantee, if any, contained in the contract between the Customer and WorleyParsons.

MEDIUM VOLTAGE METERING CABINET SPECIFICATION							
REV	DESCRIPTION	ORIGINATOR	REVIEWER	APPROVAL	DATE (DD-MON-YYYY)	CLIENT APPROVAL	DATE (DD-MON-YYYY)
0D	Issued for Quote	N. Landry	F. Medina	E. Joson	19-01-2012		
0C	Issued for Review	R. Sanoja	F. Medina	R. Lehmann	05-10-2011		
0B	Issued for Review	R. Sanoja	F. Medina	R. Lehmann	15-09-2011		
0A	Issued for IDR	R. Sanoja	M. Jensen	R. Lehmann	22-07-2011		



**TRANSCANADA PIPELINES LIMITED
MEDIUM VOLTAGE METERING CABINET
SPECIFICATION**

TABLE OF CONTENTS

1. SCOPE 1

2. APPLICATION 2

3. GENERAL REQUIREMENTS 3

 3.1 Operating Conditions 3

 3.2 Codes and Standards 3

 3.2.1 General Standards 3

 3.2.2 Specific Standards 4

 3.3 Certification 4

 3.4 Data Sheets 5

 3.5 Definitions 5

 3.6 Power System 5

 3.6.1 Auxiliary Control Power 6

4. METERING CABINET DESIGN 7

 4.1 Enclosure 7

 4.2 Power and Ground Bus 7

 4.3 Incoming and Outgoing Termination Compartments 8

 4.4 Instrument Transformers Compartment 8

 4.5 Meter Compartment 9

 4.6 Control Wiring 9

5. NAMEPLATES 11

6. FINISHING 12

7. INSPECTION AND TESTING 13

8. PACKING, SHIPPING & STORAGE 14

9. VENDOR DRAWINGS AND DOCUMENTATION 15



**TRANSCANADA PIPELINES LIMITED
MEDIUM VOLTAGE METERING CABINET
SPECIFICATION**

APPENDIX A: METERING CABINET DATA SHEETS 16
APPENDIX B: MV METERING CABINET SINGLE LINE DIAGRAM AND LAYOUT 17



**TRANSCANADA PIPELINES LIMITED
MEDIUM VOLTAGE METERING CABINET
SPECIFICATION**

1. SCOPE

This specification describes the technical requirements for the design, manufacture, testing and delivery of medium voltage metal enclosed metering cabinet. The metering cabinet will be installed outdoor (padmount) at various pump station electrical substations in Canada.

The cabinet shall be supplied fully assembled, tested and ready for field connection.

Unless specific exceptions are noted in the Vendor's proposal, it shall be understood that the proposal is based on equipment that complies strictly with the requirements of this specification.



**TRANSCANADA PIPELINES LIMITED
MEDIUM VOLTAGE METERING CABINET
SPECIFICATION**

2. APPLICATION

The intent is to provide specifications for the supply of a medium voltage metering cabinet that shall be suitable for utility revenue metering for a period of 30 years.

The metering cabinet will be connected to the low voltage side (6.9kV L-L) of the electrical substation power transformer.



**TRANSCANADA PIPELINES LIMITED
MEDIUM VOLTAGE METERING CABINET
SPECIFICATION**

3. GENERAL REQUIREMENTS

3.1 Operating Conditions

The metering cabinet will be located outdoor and be padmounted. The metering cabinet shall be designed to operate continuously at rated load within the operating conditions specified in the datasheet.

3.2 Codes and Standards

3.2.1 General Standards

The metering cabinet supplied under this specification shall be designed, fabricated and tested in accordance with the latest revision of applicable standards of the following bodies:

STANDARD	DESCRIPTION
CSA	Canadian Standards Association
NEMA	National Electrical Manufacturers Association
IEEE	The Institute of Electrical and Electronics Engineers
ANSI	American National Standards Institute
UL	Underwriters Laboratories
ISO	International Organization for Standardization
NETA	International Electrical Testing Association
Others	Local regulatory bodies having jurisdiction over such apparatus



**TRANSCANADA PIPELINES LIMITED
MEDIUM VOLTAGE METERING CABINET
SPECIFICATION**

3.2.2 Specific Standards

The latest revisions of the following standards specifically apply to the medium voltage metering cabinet supplied under this specification:

STANDARD	CODE	DESCRIPTION
CSA	C22.1	Canadian Electrical Code, Part 1: Safety Standard for Electrical Installations
	C22.2, No 14	Industrial Control Equipment
	C60044-1	Instrument Transformers – Part 1: Current Transformers
	C60044-2	Instrument Transformers – Part 2: Inductive Voltage Transformers
	Z299.4	Quality Assurance Program – Category 4
NEMA	ICS 1	Industrial Control and Systems General Requirements
	ICS 6	Industrial Control and Systems Enclosures
ANSI/IEEE	C57.13	Instrument Transformers
UL	508A	UL Standard for Safety Industrial Control Panels - First Edition; Reprint with revisions through and including February 4, 2010
ISO	9000 Series	Quality System Standards
SaskPower		Electric Service Requirements Section 4 - Requirements for Consumer-Owned Substations Greater than 5 kV

3.3 Certification

The metering cabinet shall bear CSA certification label. Alternatively, the metering cabinet shall have any authorized NRTL member organization certification label, certifying it for installation in Canada as applicable. Certification shall ensure the metering cabinet complies with applicable Canadian standards for its manufacturing and installation requirements.

Warning labels as required by the applicable codes shall be attached to the equipment.



**TRANSCANADA PIPELINES LIMITED
MEDIUM VOLTAGE METERING CABINET
SPECIFICATION**

3.4 Data Sheets

The attached Data Sheet summarizes the equipment to be supplied and shall be read in conjunction with this specification.

The Vendor shall complete the data sheets and return them to Purchaser. Data and information provided by Vendor in the data sheets will be considered contractually binding, as it will be used in the overall system design.

The Vendor shall submit a complete Bill of Material (B.O.M.) detailing catalogue number, ratings, quantity, and supplier with reference to the data sheet.

If inconsistencies exist between the contents of this specification and the data sheets the Vendor shall contact the Owner's Engineer for clarification.

The Vendor shall not make any substitutions without written approval of the Purchaser. Any such approval, however, will not relieve the Vendor of his responsibility for the adequacy and performance of the equipment.

3.5 Definitions

Owner: TransCanada Pipelines Limited.

Utility: Saskatchewan Power Corporation (SaskPower)

Purchaser: Shall mean any person, firm or corporation that issues a purchase order to provide and/or perform services applicable to this specification, or their designated representative.

Vendor: Shall mean the person(s) or company(ies) selling to the purchaser the product as specified in this specification.

3.6 Power System

The metering cabinet will be energized from a voltage source with a neutral grounding resistor as specified in the data sheets.

Bus components shall be braced to withstand a symmetrical short circuit current as stated in the data sheets.



**TRANSCANADA PIPELINES LIMITED
MEDIUM VOLTAGE METERING CABINET
SPECIFICATION**

3.6.1 Auxiliary Control Power

A 120 V AC external supply (normal power) will be utilized for the metering cabinet space heater and receptacle power.



**TRANSCANADA PIPELINES LIMITED
MEDIUM VOLTAGE METERING CABINET
SPECIFICATION**

4. METERING CABINET DESIGN

4.1 Enclosure

The metering cabinet shall consist of a pad mounted, metal enclosed, compartmentalized enclosure with NEMA 4 (Outdoor) gasketed construction that will house all components including current transformers, voltage transformers, metering equipment and associated devices.

The structure shall be front, back and side accessible, free standing with necessary provisions for handling. The roof shall be cross-kinked or gabled and sloped front to back (front being highest elevation) to allow for shedding of water. Provide a sunshield on the roof of the enclosure to alleviate heat caused by direct sunlight on the top of the enclosure. The base of the enclosure shall be equipped with structural steel channel. The structure shall be complete with lifting plates or lifting eyes as necessary to facilitate off loading and placement.

The enclosure shall be continuous welded, 11-gauge steel construction. Doors shall be equipped with stainless steel hinges, hinge pins, and 2-point latching stainless steel weatherproof handles. The handles shall be pad-lockable. Drip shields shall be provided over each access door.

The termination and meter compartments shall have adequate phase barriers and grounding means. Where working space or electrical clearances is insufficient to safely install grounds, a ground switch shall be provided.

Thermostatically controlled heaters shall be provided for condensation control. Each compartment heater shall be provided to maintain ambient temperature of minimum 5°C / 41°F in the cabinet.

Each door of the enclosure shall be equipped with appropriate warning signs.

4.2 Power and Ground Bus

All power and ground bus' shall be tin or silver plated, solid, hard-drawn high conductivity copper. All bus supports shall be of non-hygroscopic, flame retardant, track resistant material. The Vendor shall provide removable insulation boots with a di-electric strength equal to the bus insulation at all bus bolted joints.

The power bus shall be insulated and rated as per data sheets.

The metering cabinet shall have a copper ground bus extending throughout its length. The ground bus shall be a minimum 6 mm x 50 mm. The ground bus shall have an extension with holes at each end



**TRANSCANADA PIPELINES LIMITED
MEDIUM VOLTAGE METERING CABINET
SPECIFICATION**

suitable for mounting #4/0 AWG copper ground lugs. External enclosure ground pad (NEMA 2-hole) shall be provided at both ends to connect to ground grid.

4.3 Incoming and Outgoing Termination Compartments

Three outdoor epoxy bushings shall be supplied with NEMA 6-hole pads at the outdoor end, and with NEMA 4-hole pads at the interior end. The rating and location of the bushings shall be as specified in the data sheet.

The outgoing termination compartment height shall be as specified in the datasheet, single line diagram and layout in order to facilitate the connection to Customer's raceway system. The termination compartments access door location shall be as specified in the datasheet. Kirk Key interlock, or approved equivalent, shall be implemented to prevent access to power section while energized.

Connections of the power bus bar to entrance bushings shall be of the flexible type.

Side mounted bushings shall be enclosed in a compartment closed by a bolt on cover and allowing for cable connections with room for stress cones. The compartment shall have ground or stud for attaching cable heads grounding tapes and a bottom removable cover with a gland plate for vertical access of cables from below.

4.4 Instrument Transformers Compartment

The instrument transformers compartment will enclose the instrument transformers, and shall be of sufficient size to enable maintenance and replacement of the transformers. In addition to the electrical clearances specified in the applicable CSA standard, provide for a minimum physical separation of 50mm to be maintained between instrument transformers and the surrounding enclosure to ensure adequate working clearances.

The instrument transformer's compartment shall be padlockable and sealable by the Utility Company.

Instruments transformers shall be supplied by the Utility, and shall be installed and wired by the Vendor.

The compartment shall be equipped with a draw out type or swing out type carriage with disconnect provisions for de-energizing and grounding the primary of each voltage transformer upon withdrawal.

Voltage transformers shall be fused on the primary (i.e. two (2) fuses per transformer). Test blocks shall be provided for all voltage transformer secondary leads.



**TRANSCANADA PIPELINES LIMITED
MEDIUM VOLTAGE METERING CABINET
SPECIFICATION**

Each secondary connection of all current transformers (i.e. two (2) wires per transformer) shall be wired to easily accessible shorting block. The polarity of each shall be identified on the wires with heat shrink markers.

Instrument transformer ratios and metering accuracy, shall be as shown on the single line drawings and data sheets.

4.5 Meter Compartment

The meter compartment will enclose the revenue meter equipment. It shall be equipped with a hinged door, with provisions for sealing by the Utility, and with backing plate. The revenue meter equipment shall be supplied and installed by the Utility.

The meter compartment shall conform to the following dimensions: minimum 850mm height, minimum 914mm width, and 457mm depth.

A 120V AC duplex receptacle and a 13-jaw combination meter socket, with sufficient space for a 10-pole test switch shall be installed in the meter compartment by the Manufacturer. Metering compartment shall have provisions for secondary backup meter.

The wiring between the meter compartment and the instrument transformer compartment shall be supplied and installed by the Vendor.

Each meter shall have separate window for onsite meter reading. (i.e. 2 windows for 2 meters)

4.6 Control Wiring

Control wiring shall be type SIS, stranded, tinned copper, single conductor, with 600 V flame resistant, 90°C insulation. Control wiring shall be neatly formed and secured in place. Wiring at locations where the wires are subjected to flexing, shall be extra flexible and neatly bundled in a flexible guard to prevent spread and damage.

All control wiring in the cubicles between devices and also between devices and terminal blocks, shall be clearly numbered and identified at both ends of the wire with machine lettered wire tag to last over the life of the equipment.

Wires shall be adequately rated for the application and sized for the currents to be carried. For general control service, #14 AWG shall be used. For all current transformers circuits #10 AWG wires and for all voltage transformers circuits #12 AWG wires shall be used.



**TRANSCANADA PIPELINES LIMITED
MEDIUM VOLTAGE METERING CABINET
SPECIFICATION**

Wiring devices shall be CSA rated to suit location of site and be located in the low voltage compartment of the cell.



**TRANSCANADA PIPELINES LIMITED
MEDIUM VOLTAGE METERING CABINET
SPECIFICATION**

5. NAMEPLATES

Engraved lamacoid nameplates, white faces with black core, shall be provided for each device and for each compartment in accordance with the single line diagrams.

A nameplate shall be supplied for each switch, fuse or device. Nameplates shall be attached with reusable plastic rivets.

Each instrument transformer shall be provided with a permanent identification nameplate giving the manufacturer's name, rated voltage, frequency, kilovar and amperes, number of phases, and the volume of liquid identified as flammable, if applicable.

The lettering shall be 3/16 inch high.



**TRANSCANADA PIPELINES LIMITED
MEDIUM VOLTAGE METERING CABINET
SPECIFICATION**

6. FINISHING

Manufacturer's standard for outdoor equipment painting shall be applicable.

The underside of roof panels shall be finished with anti-condensation insulation.

Finish colors shall be:

- Exterior: ANSI 61 grey.
- Interior: ANSI 61 grey.



**TRANSCANADA PIPELINES LIMITED
MEDIUM VOLTAGE METERING CABINET
SPECIFICATION**

7. INSPECTION AND TESTING

All equipment covered by this specification shall, on completion of assembly, wiring and adjustments be completely inspected, quality assured and tested. All apparatus shall be tested for correct operation under simulated service conditions in accordance with the current edition of NETA ATS (Acceptance Testing Specifications) to ensure the accuracy and correct functioning of the schemes. Factory performed testing shall in no way relieve the Vendor of the responsibility for proper operation of the equipment upon installation at the site.

The following tests shall be performed on the equipment:

- Continuity and point-to-point checks,
- Polarity tests, where applicable.
- Verify alignment of all drawout devices and assembly connection points
- High-potential tests of all wiring and bus-work

Purchaser reserves the right to inspect the equipment at any reasonable time in the manufacturing plant.



**TRANSCANADA PIPELINES LIMITED
MEDIUM VOLTAGE METERING CABINET
SPECIFICATION**

8. PACKING, SHIPPING & STORAGE

The Vendor is responsible for packing the equipment to minimize damage during shipment.

Metering Cabinet shall be crated with new construction grade lumber. Prior to crating, steps shall be taken to secure any lightly fastened items such as covers. Each unit shipped shall be wrapped and sealed in polyethylene sheet.

Items which are likely to sustain damage if shipped in place shall be removed and properly packed to prevent shipping damage. One copy of the individual packing list shall be placed inside of each closed package, and one copy of the packing list shall be attached to the outside of each piece in a weatherproof packet.

Metering Cabinet shall be provided with spaces beneath the crating suitable for the purpose of forklift truck handling or be equipped with lifting eyebolts for crane lifting. Panels with eyebolts for lifting shall be shipped in trucks with top access.

The Vendor shall provide instructions for on site storage and handling.



**TRANSCANADA PIPELINES LIMITED
MEDIUM VOLTAGE METERING CABINET
SPECIFICATION**

9. VENDOR DRAWINGS AND DOCUMENTATION

Vendor drawings and documentation requirements shall be as per Vendor Data Requirements of the Purchaser's Material Requisition (MR).



**TRANSCANADA PIPELINES LIMITED
MEDIUM VOLTAGE METERING CABINET
SPECIFICATION**

APPENDIX A: METERING CABINET DATA SHEETS



**TRANSCANADA PIPELINES LIMITED
MEDIUM VOLTAGE METERING CABINET
SPECIFICATION**

**APPENDIX B: MV METERING CABINET SINGLE LINE
DIAGRAM AND LAYOUT**

Item	Drawing Number	Description	Date	Rev.
1	1399-06-06-SK-001	MV METERING CABINET SINGLE LINE DIAGRAM AND LAYOUT	2012-01-19	0C

Document Title: Packing, Shipping, and Handling Procedure

Document Number: 25472-101-V2A-EMM0-W0021

Revision Number: 0

PO Number: 4500249594

Material Requisition Number: 06, 07, 08 XB

Applicable Tag#: 126-FXVLY-B0-JIT-01, 127-PIAPT-B0-JIT-01, 128-Grssy-B0-JIT-01



Shermco Industries
1033 Kearns Cres.
Regina, SK
Canada, S4K 0A2
(306) 949-8131

Supplier Rev.	Rev Date DD-MMM-YYYY	Reason for Issue	Supplier Name
0	13-July-2020	First Issue with Referbishment Update	Shermco Industries

Shipping & Handling of MV Metering Cabinets

At Shermco's Regina SK Facility:

- Cabinets are to be lifted and moved with a forklift/lift-truck.
- Cabinets are to be set on dunnage while being stored and worked on.
- Cabinets do not have lifting lugs.

Ready to move out of Shermco's Regina SK Facility:

- Cabinets are to be lifted and moved with a forklift/lift-truck.
- Cabinets will be transported to site by truck & trailer.
- Before cabinets are moved onto the truck, cabinet doors should be locked & wrapped to avoid accidental opening during transport.
- Before cabinets are moved onto the truck, additional protection measures will be provided to the bushings (covers, wrapping, padding, ect).
- When cabinets are placed onto the truck trailer via forklift/lift-truck, each cabinet shall be rigged and secured safely to the truck trailer.

Arrive at TC-Energy Site:

- When truck & trailer arrives at site, cabinets will be offloaded via forklift/lift-truck.
- Cabinets will be placed on dunnage until installation team is ready to install the cabinets.