

GENERAL NOTES

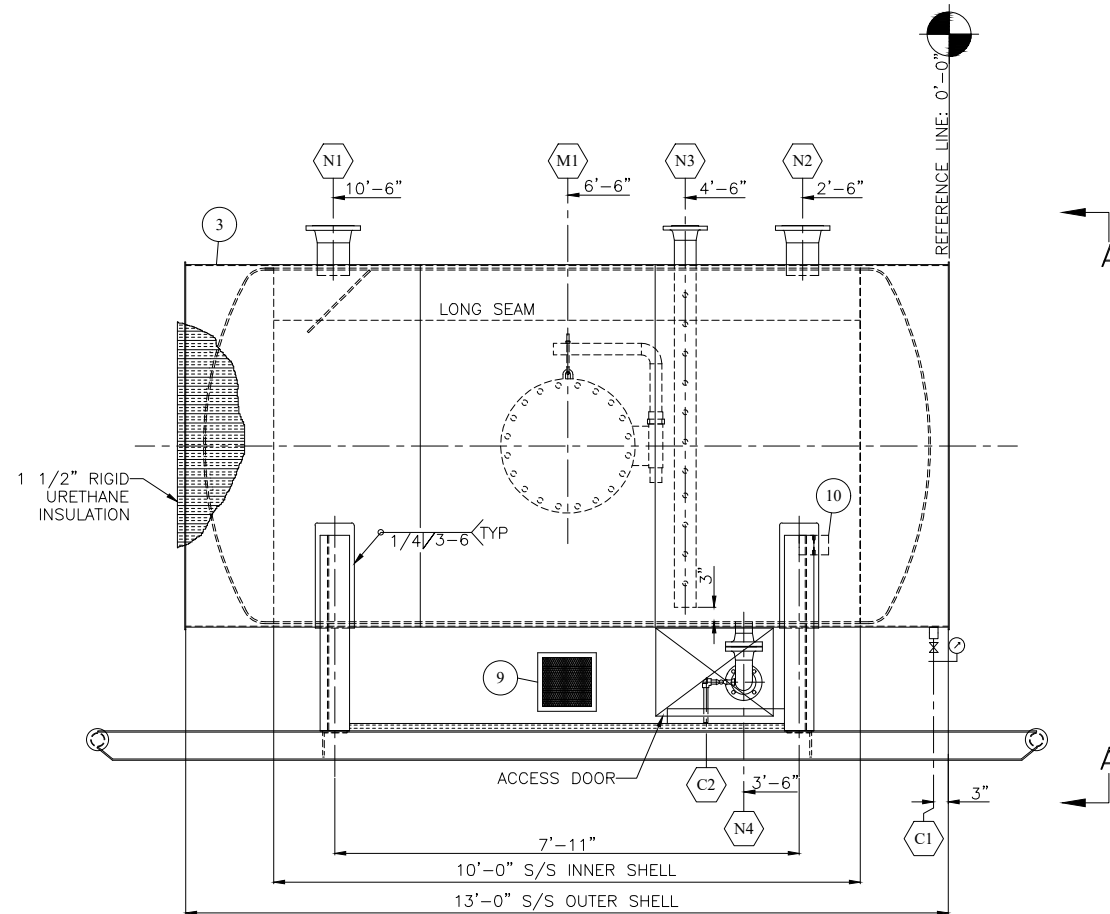
- DESIGN PRESSURE: 50 PSI
DESIGN VACUUM: NIL
MAWP: 14.9 PSI @ 200°F (NON-REGISTERED)
MDMT: -20°F @ 14.9 PSI
CORROSION ALLOWANCE: 1/8"
HYDROTEST PRESSURE: 75 PSI
RADIOGRAPHY: NIL
PWHT: NIL
- INTERNAL SHELL & HEAD MATERIAL: SA-516-70N
- EXTERNAL SHELL & HEAD MATERIAL: SA-36
- FLANGE MATERIAL: SA-105-N
- PIPE MATERIAL: SA-106-B
- BOLTING MATERIAL: SA-193-B7M/SA-194-2HM
- INTERNAL SANDBLAST: SSPC-SP10 (NEAR WHITE)
- INTERNAL COATED: DEVCOE 253 AS PER MANUFACTURER'S SPECS
- EXTERNAL SANDBLAST TO SSPC-SP3 (POWER TOOL)
- EXTERNALLY COATED:
ALL AREAS: ONE (1) COAT PRIMER
NON-INSULATED AREAS: ONE (1) COAT INDUSTRIAL ENAMEL (WHITE)
- INSULATION: 1 1/2" THK ALUMINUM CLAD RIGID URETHANE
- ALL OPENINGS SHALL BE COVERED PRIOR TO SHIPPING
- AIR/SOAP LEAK TEST PERFORMED ON CONTAINMENT
- DO NOT OPERATE AT PRESSURES HIGHER THAN MAWP
-DESIGN PRESSURE IS INTENDED FOR SAFETY FACTOR ONLY
- ABSA APPROVED WPS USED FOR VESSEL FABRICATION
REGARDLESS OF NON CODE DESIGN
- SHIPPING WEIGHT: 9,000 LBS
- SHIPPING DIMENSIONS: 16'-6" L x 7'-6" W x 9'-6" HIGH

NOZZLE SCHEDULE

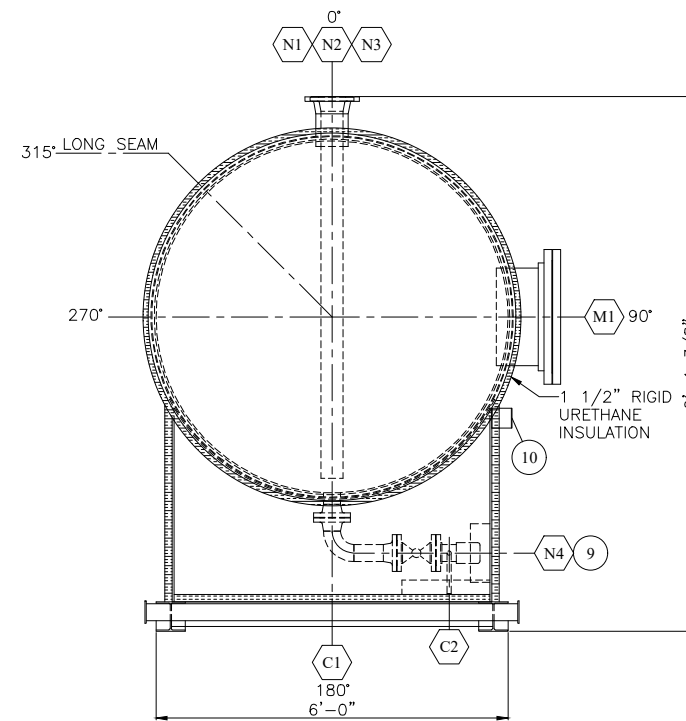
MARK	NO. REQ'D	DESCRIPTION	NPS	CLASS	TYPE	PROJECTION		WELD DETAIL	WELD		REPAD	BILL OF MATERIALS ITEM NUMBER
						INSIDE	OUTSIDE		A	B		
N1	1	INLET	6	150	RFWN	1"	8"	1,4	3/8	-	-	11,12,13
N2	1	OUTLET	6	150	RFWN	1"	8"	1,4	3/8	-	-	11,12
N3	1	GAUGE	4	150	RFWN	SHOWN	8"	1,4	3/8	-	-	14,15
N4	1	TRUCKOUT	3	150	RFWN	FLUSH	4"	1,5	3/8	-	-	16,17,18,19,20,21,22,23,24,25,26
C1	1	VACUUM	1	3000	CPLG	-	-	3	3/8	-	-	27,28
C2	1	SUCKOUT	1/2	3000	TOL	-	-	3	1/4	-	-	29,30,31,32,33,34
M1	1	MANWAY	20	150	RFSO	1"	8"	2,4	3/8	-	-	35,36,37,38,39,40,41

BILL OF MATERIALS

ITEM	REQ'D	PART	DESCRIPTION	MATERIAL	WEIGHT
1	1	INT SHELL	3/8" THK x 120" W, ROLL TO 72" ID (CIRC=19'-0 9/16")	SA-516-70N	2900#
2	2	INT HEAD	3/8" THK x 72" ID FLANGED & DISHED HEAD	SA-516-70N	1195#
3	2	EXT SHELL	3/16" THK x 48" W ROLL TO 73 3/4" ID (CIRC=19'-4 7/8")	SA-36	1190#
4	1	EXT SHELL	3/16" THK x 60" W ROLL TO 73 3/4" ID (CIRC=19'-4 7/8")	SA-36	745#
5	2	EXT HEAD	3/16" THK x 75 1/4" OD	SA-36	470#
6	2	SADDLE	SADDLE (SEE DWG B548-2 FOR DETAIL)	SA-36	450#
7	1	SKID	SKID (SEE DWG B548-2 FOR DETAIL)	-	750#
8	1	SPACER	3/8" HRR x 40'-0" LG	SA-36	40#
9	1	HEATER	12" x 12" CATADYNE HEATER, 12 VOLT NATURAL GAS	-	-
10	1	NAMEPLATE	4" x 6" NAMEPLATE BRACKET	SA-36	2#
11	2	N1,N2	6" x CLASS 150 RFWN FLG SCH XH	SA-105-N	50#
12	2	N1,N2	6" PIPE SCH XH x 6 3/4" LG (ROE,BOE)	SA-106-B	30#
13	1	N1	3/8" THK DEFLECTOR PLATE	SA-36	15#
14	1	N3	4" x CLASS 150 RFWN FLG SCH XH	SA-105-N	15#
15	1	N3	4" PIPE SCH XH x 6'-3 1/8" LG c/w HOLES (ROE,BOE)	SA-106-B	96#
16	3	N4	3" x CLASS 150 RFWN FLG SCH XH	SA-105-N	30#
17	1	N4	3" x CLASS 150 RFTO FLG	SA-105-N	10#
18	1	N4	3" x CLASS 150 RF RP BALL VALVE (SOUR)	SA-105-N	-
19	3	N4	3" x CLASS 150 RF FLEX GASKET	304SS	-
20	1	N4	3" x 90° LR BW ELBOW SCH XH	SA-234-WPB	4#
21	1	N4	3" PIPE SCH XH x 2 3/8" LG (BOE,COE)	SA-106-B	2#
22	1	N4	3" PIPE SCH XH x 6" LG (BBE)	SA-106-B	4#
23	1	N4	3" x 4" LG NIPPLE SCH XH	SA-106-B	3#
24	1	N4	3" MALE/FEMALE CAMLOCK c/w CAP	-	2#
25	12	N4	5/8" DIA x 3 1/2" LG STUD	SA-193-B7M	-
26	24	N4	5/8" DIA NUT	SA-194-2HM	-
27	1	C1	1" x CLASS 3000 FULL CPLG	SA-105-N	1#
28	1	C1	VACUUM GAUGE ASSEMBLY (ABOVE GROUND)	-	-
29	1	C2	1/2" x CLASS 3000 TOL	SA-105-N	1#
30	2	C2	1/2" x 1 1/2" LG NIPPLE SCH XH	SA-106-B	1#
31	1	C2	1/2" x CLASS 2000 90° THRD ELBOW	SA-105-N	1#
32	1	C2	1/2" PIPE SCH XH x 7 1/2" LG (TOE,ROE)	SA-106-B	1#
33	1	C2	1/2" x CLASS 2000 THRD BALL VALVE (SOUR)	SA-105-N	-
34	1	C2	12 GAUGE 36" x 24" CONTAINMENT TRAY	-	48#
35	1	M1	20" x CLASS 150 RFSO FLG	SA-105-N	165#
36	1	M1	20" x CLASS 150 RF BLIND FLG	SA-105-N	285#
37	1	M1	20" x CLASS 150 RF FLEX GASKET	304SS	-
38	1	M1	20" PIPE SCH STD x 11" LG (COE,ROE)	SA-106-B	82#
39	20	M1	1 1/8" DIA x 6 1/4" LG STUD	SA-193-B7M	-
40	40	M1	1 1/8" DIA NUT	SA-194-2HM	-
41	1	M1	20" STANDARD DAVIT ARM	-	-
42	5	INSULATION	1 1/2" x 13'-6" LG RIGID URETH., CORR & STUCCO EMBOSS ALUM ONE SIDE w/ CURFS	-	-
43	2	INSULATION	1 1/2" x 12'-6" LG RIGID URETH., CORR & STUCCO EMBOSS ALUM ONE SIDE	-	-
44	3	INSULATION	1 1/2" x 8'-5" LG RIGID URETH., CORR & STUCCO EMBOSS ALUM BOTH SIDES	-	-
45	60 FT	INSULATION	SEA "L" FLASHING	-	-
46	400	INSULATION	SCREWS - #8 - 1/2" STAINLESS STEEL	-	-



ELEVATION VIEW



ORIENTATION VIEW A-A

WELD DETAIL NUMBER	REGISTERED WELDING PROCEDURE NUMBER			BACKWELD/GOUGE
	ROOT	HOT PASS	FILL & CAP	
1,2,3,4,5,6	BWM-19 (GMAW)	BWM-19 (GMAW)	BWM-19 (GMAW)	N/A
1 (6" XH)	BWM-1 (GMAW)	BWM-1 (SAW)	BWM-1 (SAW)	N/A
7	BWM-19 (GMAW)	BWM-3 (SAW)	BWM-3 (SAW)	N/A

1	2	3	4	5	6	7	8
WELD NECK FLANGE	SLIP ON FLANGE	COUPLING	NOZZLE NECK	NOZZLE NECK	EXTERNAL SEAMS	INTERNAL SEAMS	ATTACHMENTS

REV. NO.	DATE	REVISION	BY	APP'D
A	09/29/05	ISSUED FOR APPROVAL	DSG	
0	10/03/05	ISSUED FOR FABRICATION	DSG	JAM
1	12/29/05	AS BUILT DRAWING	DSG	JAM

BILTON
Welding & Manufacturing Ltd.

BOX 6106
5815 37 Street
INNISFAIL, AB
CANADA
403-227-7799
1-888-227-4923
FAX 227-7796

This drawing is property of BILTON WELDING & MANUFACTURING LTD and is lent to the recipient for their confidential use only. In consideration of the loan of this drawing, the recipient promises and agrees that it shall not be used in any way detrimental to the interests of BILTON WELDING & MANUFACTURING LTD, that it shall be returned upon request, and shall not be reproduced, copied, lent, or otherwise disposed of, directly or indirectly, without the written consent of BILTON WELDING & MANUFACTURING LTD.

FAIRBORNE ENERGY LTD

60 BBL DOUBLE WALL FLARE KNOCKOUT DRUM
72" ID x 10'-0" S/S x 14.9 PSI MAWP (NON REGISTERED)

DATE: 09/29/05
SCALE: N.T.S.
DRAWN BY: DSG
PURCHASE ORDER: FEL 2005-010-001
LOCATION: WILD RIVER 8-14
CRN DWG: N/A
CRN NUMBER: N/A

SHEET: 1 OF 2
JOB NO.: B548
DRAWING NO.: B548-1
REV. 1

APP'D: DJAM