

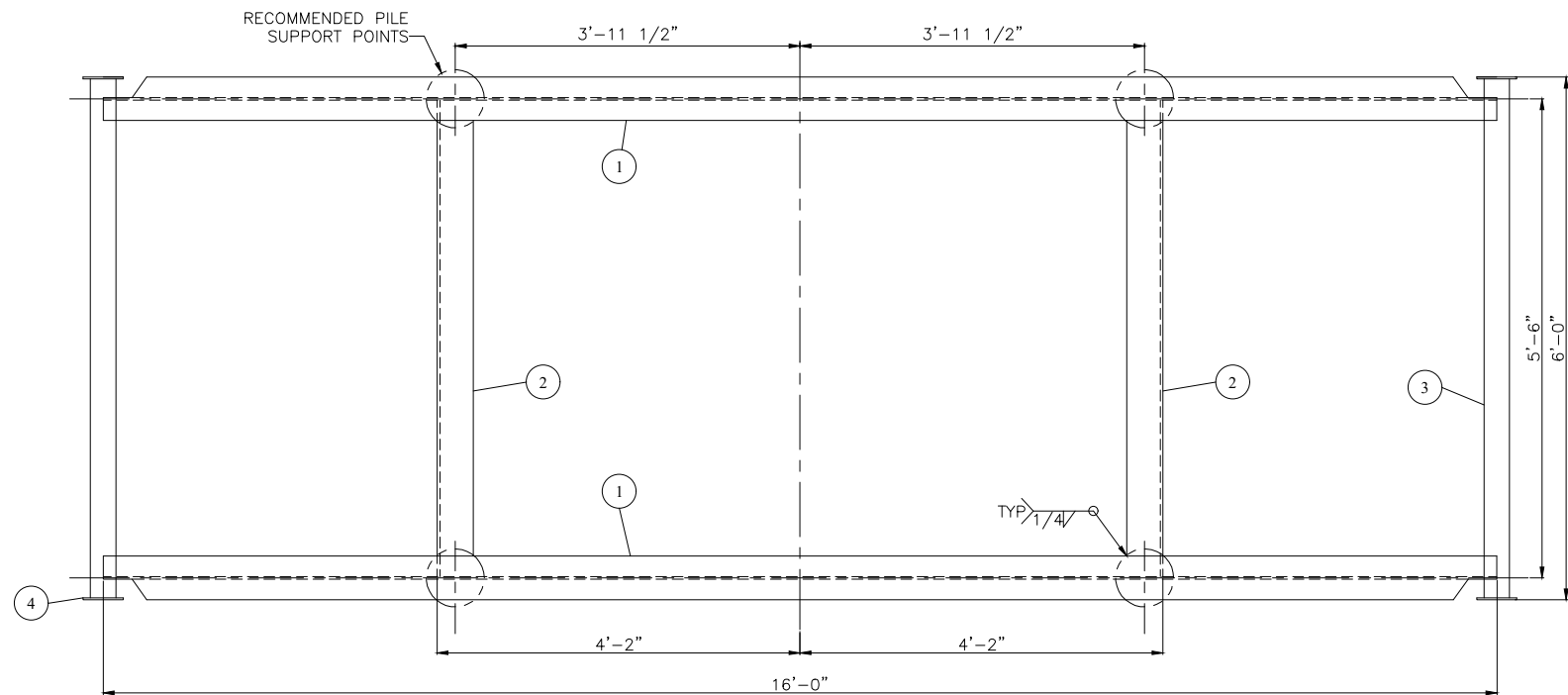
FILE\_PATH\MAINDATA\CAD\tANKS\B500-B599\B548-2

**GENERAL NOTES:**

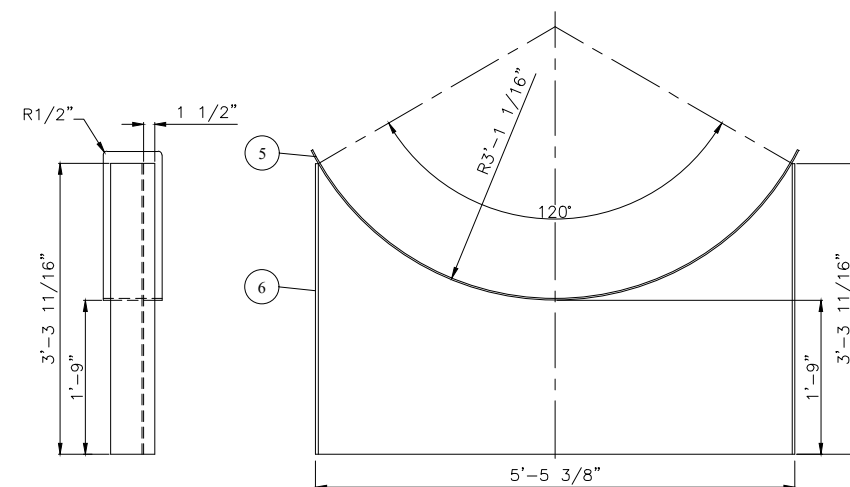
1. ALL WELDS FULL PENETRATION, 1/4" FILLET WELDS (GTSM)
2. PRIME: ONE (1) COAT PRIMER
3. PAINT: ONE (1) COAT INDUSTRIAL ENAMEL (WHITE)
4. APPROXIMATE WEIGHT: 1,250 LBS (SADDLE & SKID ONLY)

**BILL OF MATERIALS**

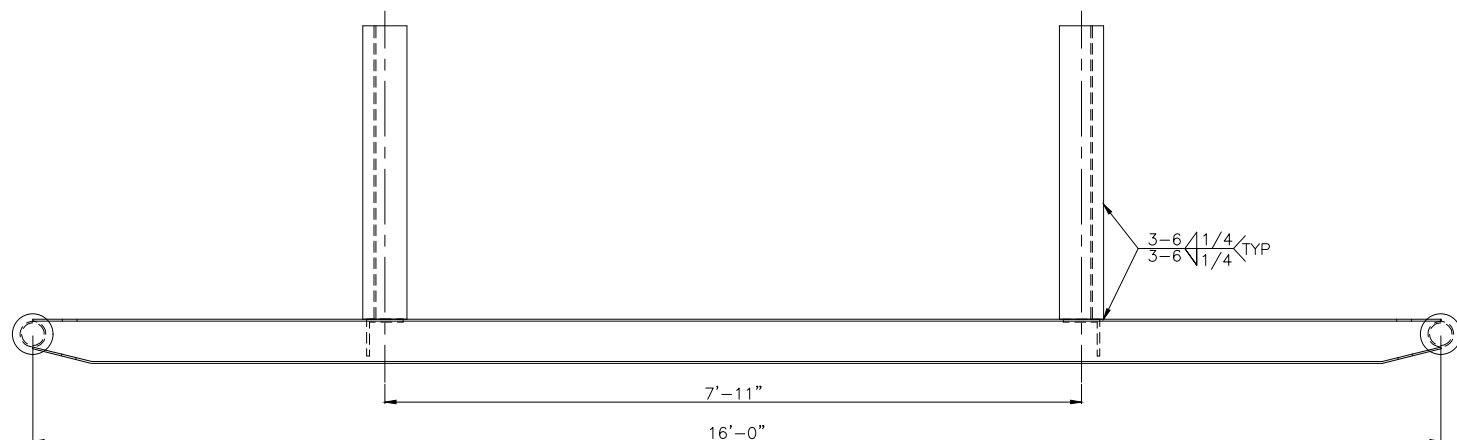
ITEM	REQ'D	PART	DESCRIPTION	MATERIAL	WEIGHT
1	2	RUNNER	W6@15# x 16'-0" LG (ROUGH CUT TO 192 1/2")	SA-36	485#
2	2	CROSSMEM	5" x 5" x 3/8" ANGLE x 5'-5 11/16" LG	SA-36	133#
3	2	PULL	3" STD PIPE x 5'-11 1/2" LG	SA-106-B	90#
4	4	PULLCAP	1/4" THK x 5 1/2" OD	SA-36	5#
5	2	SADDLE	8" x 1/4" FLATBAR x 80" LG ROLL TO 74 1/8" ID	SA-36	91#
6	4	SADDLE	6" x 3/8" FLATBAR x 3'-3 11/16" LG	SA-36	89#
7	2	SADDLE	1/4" THK x 39 11/16" Wx 64 5/8" LG (SEE DETAIL)	SA-36	280#



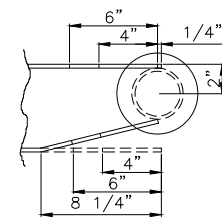
TOP VIEW



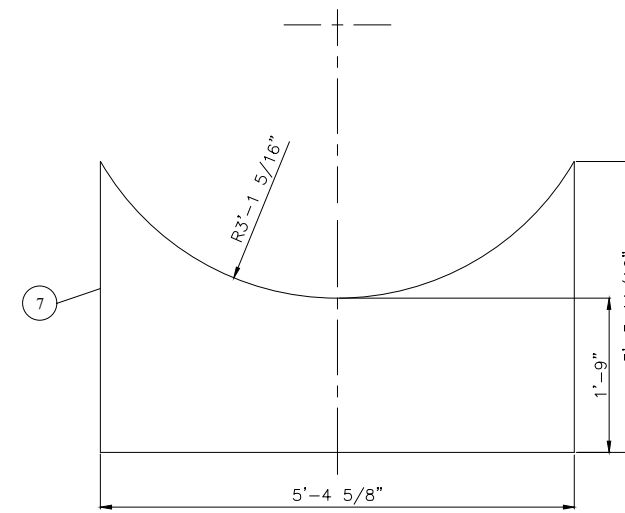
SADDLE DETAIL



ELEVATION VIEW



COPE DETAIL



WEB PLATE DETAIL

REV. NO.	DATE	REVISION	BY	APP'D
A	09/29/05	ISSUED FOR APPROVAL	DSG	
0	10/03/05	ISSUED FOR FABRICATION	DSG	JAM
1	12/29/05	AS BUILT DRAWING	DSG	JAM

**BILTON**  
 Welding & Manufacturing Ltd.  
 BOX 6106  
 5815 37 Street  
 INNISFAIL, AB  
 CANADA  
 403-227-7799  
 1-888-227-4923  
 FAX 227-7796

**FAIRBORNE ENERGY LTD**  
 60 BBL DOUBLE WALL FLARE KNOCKOUT DRUM  
 SADDLE & SKID DETAILS

DATE: 09/29/05  
 SCALE: N.T.S.  
 DRAWN BY: DSG  
 PURCHASE ORDER: FEL 2005-010-001  
 LOCATION: WILD RIVER 8-14

APP'D BY: JAM

SHEET: 2 OF 2  
 JOB NO.: B548  
 DRAWING NO.: B548-2  
 SIZE D  
 REV. 1