

Document Title: 25012625 HDW-3000 – Equipment Detail Drawing

Document Number: 25472-100-V2A-MTNF-Z0024

Revision Number: G

PO Number: 4500244847

Material Requisition Number: 25472-100-MRA-MTNF-Z0002

Tag #:	151-VLLEY-B0-OST-01	157-BFLPS-B0-OST-01
	152-FTPCK-B0-OST-01	158-FAITH-B0-OST-01
	153-CRCLE-B0-OST-01	159-HAKON-B0-OST-01
	154-PRAIR-B0-OST-01	160-MURDO-B0-OST-01
	155-FALLN-B0-OST-01	161-WINNR-B0-OST-01



Westeel a division of Ag Growth International Inc.
 450 Desautels Street
 Winnipeg, Manitoba
 Canada, R2H 3E6
 1-800-665-2099

Rev No.	Rev Date yyyy-mm-dd	Reason for Issue	Contractor Originator	Contractor Reviewer	Contractor Approver
G	18-Mar-21	For Information	Westeel	Scott K	Scott K
F	08-Mar-21	For Information	Westeel	Scott K	Scott K
E	22-Dec-20	For Information	Westeel	Scott K	Scott k
D	29-May-19	For Information	Westeel	Fazlur R	Fazlur R
D	11-Mar-19	For Information	Westeel	Fazlur R	Fazlur R

CODE 1: Work may proceed.

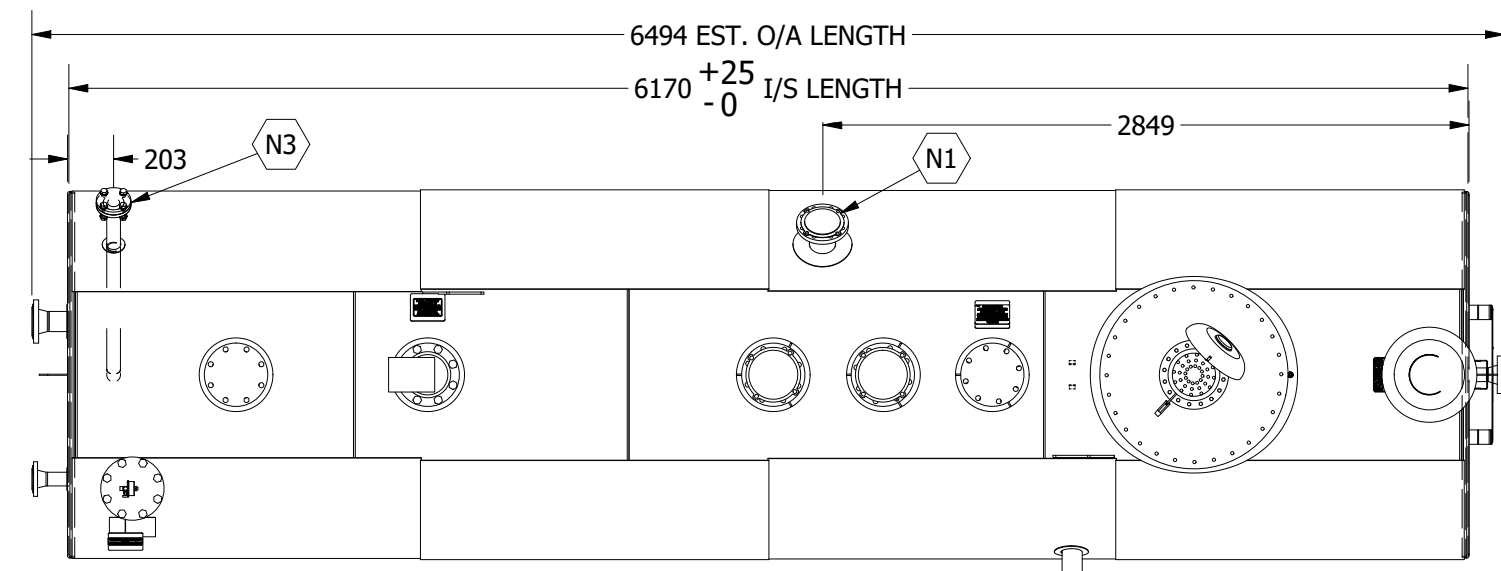


Permission to proceed does not constitute acceptance or approval of design details, calculations, analyses, test methods or materials developed or selected by the supplier and does not relieve the supplier from full compliance with contractual obligations.

Name: Halyna Hutsulyak

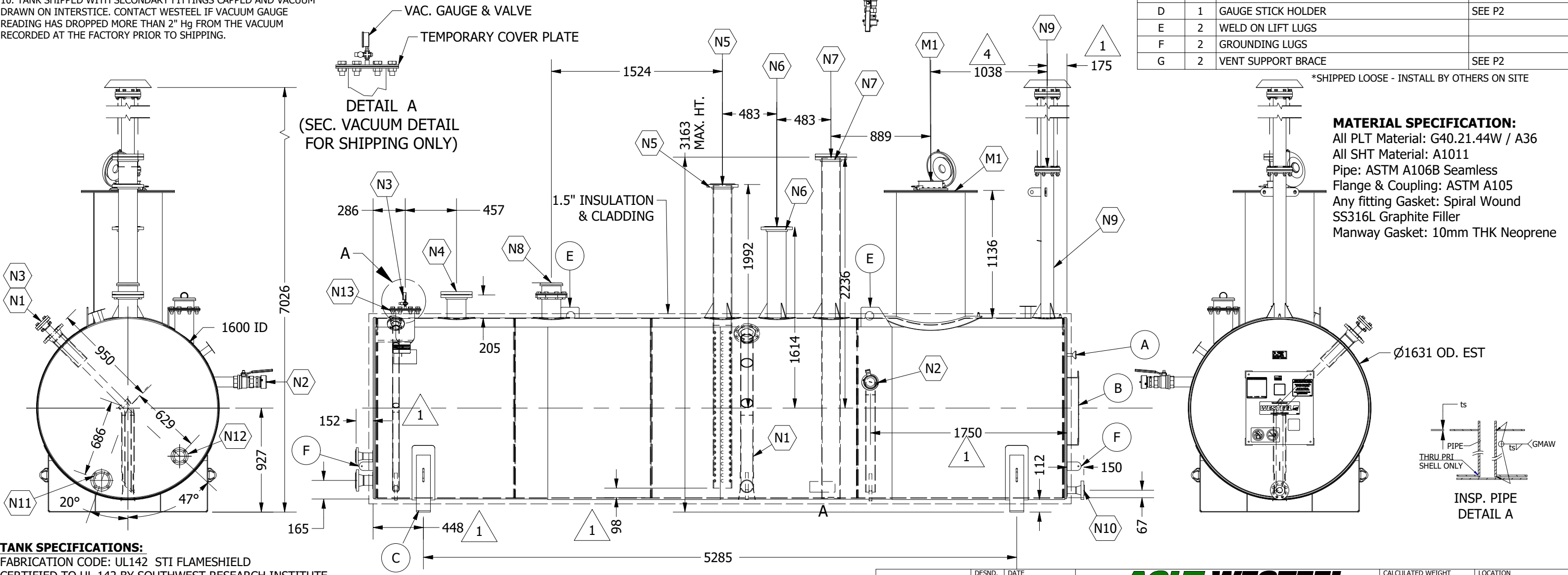
Date: 03/30/2021

NOTES:
 1. SEE TANK SPECIFICATIONS.
 2. PRODUCTION TESTING: 35kPa (5 psi) AIR/SOAP TEST.
 3. PRIMARY TANK IS A NON-PRESSURE TANK DESIGNED FOR 7kPa
 4. DIMENSIONS & CAPACITY MAY VARY SLIGHTLY DUE TO MANUFACTURING TOLERANCES. UL ALLOWED GAUGE CHART TOLERANCE +/- 1.25 %
 5. WELDING PER PLANT CWB PROCEDURES. HEAD SEAM: (NONE - ONE PIECE CONSTRUCTION)
 SHELL CIRC: UL142 6.1 No 4 SHELL LONG. 6.1 No 2. ALL OTHER EXT. WELDS TO BE SEAL WELDED, NO STITCH WELDS ALLOWED
 6. DECALS: WESTEEL AND UL STANDARD DECALS ARE INSTALLED AS REQUIRED.
 7. EXTERIOR FINISH:
 - BLAST TO SSPC SP 6. WHITE POWDER COAT
 - ELECTRICAL HEAT TRACE PER 25472-100-3PS-EH00-W001
 - 1.5" OF MINERAL WOOL INSULATION & 0.020" STUCCO EMBOSSED ALUMINUM CLADDING
 INTERIOR FINISH:
 - BLAST INTERIOR SSPC-SP10
 - 1 COAT DEVOE BAR-RUST 236 OFF WHITE
 - 1 COAT DEVOE BAR-RUST 236 MEDIUM GREY (MIL'S PER DEVOE SPECIFICATIONS)
 8. NORMAL VENT AND EMERGENCY VENT MUST BE INSTALLED PRIOR TO USE. BOTH VENTS SUPPLIED BY WESTEEL. NORMAL VENT INSTALLED BY OTHERS TO MEET ALL APPLICABLE INSTALLATION CODES.
 9. LIFT LUGS ARE MPI TESTED PRIOR TO PAINTING.
 10. TANK SHIPPED WITH SECONDARY FITTINGS CAPPED AND VACUUM DRAWN ON INTERSTICE. CONTACT WESTEEL IF VACUUM GAUGE READING HAS DROPPED MORE THAN 2" Hg FROM THE VACUUM RECORDED AT THE FACTORY PRIOR TO SHIPPING.



MARK	QTY	DESCRIPTION	REMARKS
M1	1	24" MANWAY w/ 8" THIEF HATCH AND SS BASKET	MANWAY
N1	1	4" RFWN #150 w/ SCH40 PIPE	INLET
N2	1	3" SUCTION PIPES w/ BALL VALVE & CAMLOCK QUICK CONNECT	TRUCK OUT
N3	1	2" RFWN #150 w/ SCH40 PIPE, BLIND FLG & GSK	SPARE FOR TRAP
N4	1	6" RFSO #150 w/ SCH40 PIPE, BLIND FLG & GSK	SPARE
N5	1	6" FFSO #150 w/ SCH40 PIPE	LT
N6	1	6" FFSO #150 w/ SCH40 PIPE	LSHH
N7	1	6" FFSO #150 w/ SCH40 PIPE	LT (INTERSTITIAL)
N8	1	6" RFSO #150 w/ 6" CLAY & BAILY E-VENT	PRI E-VENT
N9	1	4" RFSO #150 w/ VENT STACK AND VENT*	PRI N-VENT
N10	1	2" RFWN #600 w/ SCH80 PIPE	TW
N11	1	3" RFWN #150 w/ SCH40 PIPE	OUTLET
N12	1	2" RFWN #150 w/ SCH40 PIPE	PSV DISCH.
N13	1	6" SORF #150 w/ 6" CLAY & BAILY E-VENT	SEC E-VENT
A	1	UL NAMEPLATE	
B	1	DECAL PLATE	
C	2	WELDED ON SADDLES w/HOLD DOWN LUGS X4	
D	1	GAUGE STICK HOLDER	SEE P2
E	2	WELD ON LIFT LUGS	
F	2	GROUNDING LUGS	
G	2	VENT SUPPORT BRACE	SEE P2

*SHIPPED LOOSE - INSTALL BY OTHERS ON SITE



MATERIAL SPECIFICATION:
 All PLT Material: G40.21.44W / A36
 All SHT Material: A1011
 Pipe: ASTM A106B Seamless
 Flange & Coupling: ASTM A105
 Any fitting Gasket: Spiral Wound
 SS316L Graphite Filler
 Manway Gasket: 10mm THK Neoprene

TANK SPECIFICATIONS:
 FABRICATION CODE: UL142 STI FLAMESHIELD
 CERTIFIED TO UL 142 BY SOUTHWEST RESEARCH INSTITUTE
 TANK TYPE: DOUBLE WALL TYPE 1
 NOMINAL CAPACITY: 12400 L (3275 USG)
 MINIMUM MATERIAL THICKNESS: 3/16 NOM (4.24 mm min) (PRIMARY TANK)
 MINIMUM MATERIAL THICKNESS: 10 GA (3.12 mm min) (SEC. TANK)
 MAX. OPERATING PRESSURE: 1 PSI (7 kPa)
 MAX. OPERATION VACUUM: 0.5 PSI (3.4 kPa)
 REQUIRED VENTING CAPACITY: 258700 CFH

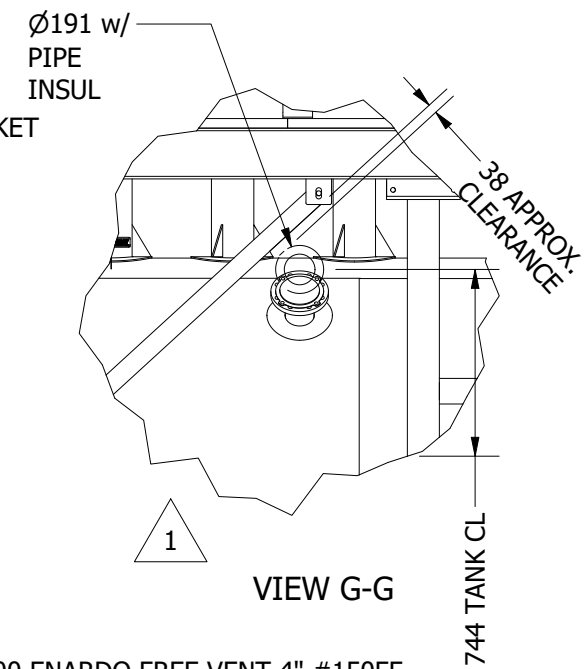
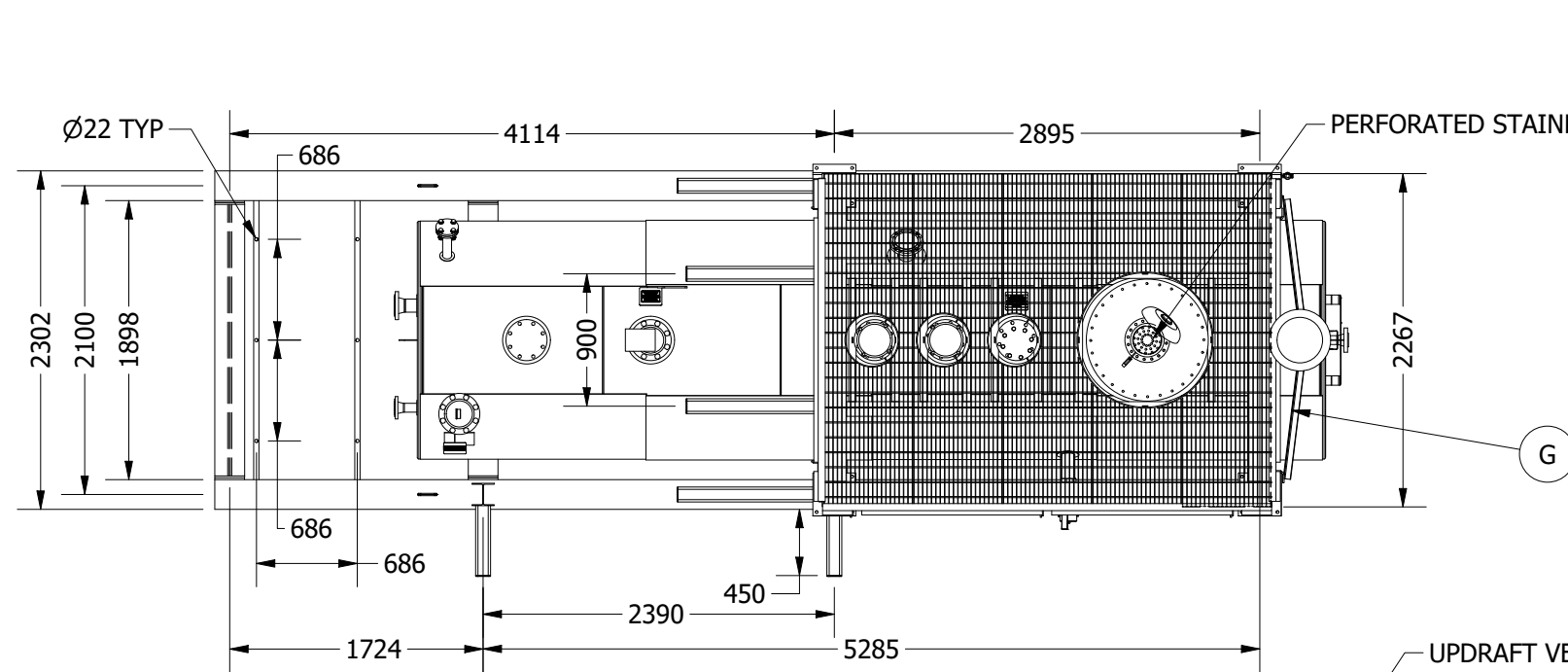
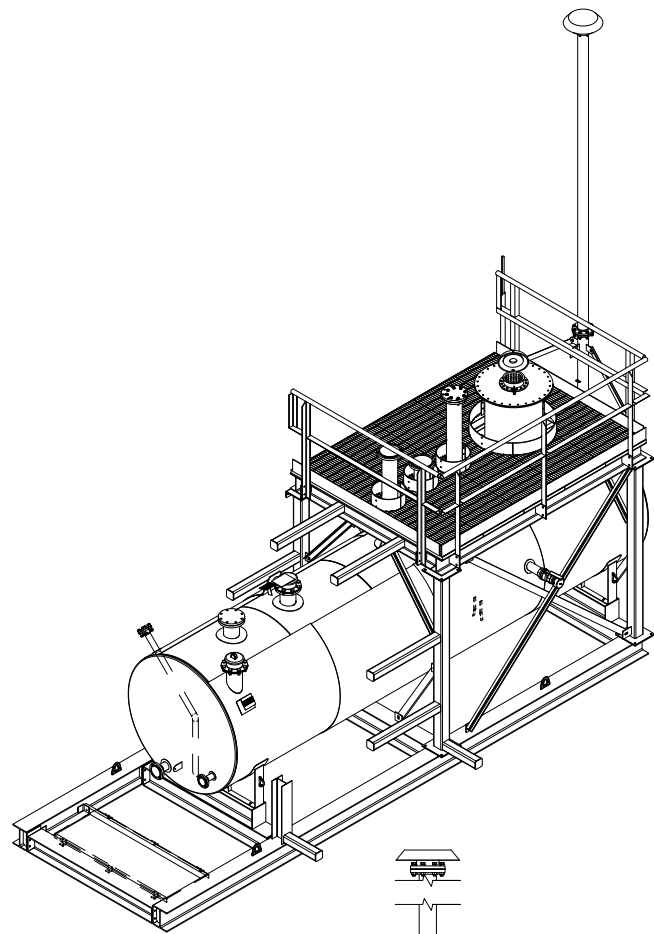
NO	DATE	DESCRIPTION	ECR	BY	CH
5	08-Mar-21	REVISED AS PER REVIEW		VP	
4	07-Dec-20	M1, N7, N6, N5, N8 MOVED 81mm TO THE LEFT		VP	
3	30-Oct-20	REVISED AS PER REVIEW		VP	
2	19-Oct-20	REVISED AS PER REVIEW		VP	

DIMENSIONS SHOWN ARE MM IMPERIAL UNITS ARE IN BRACKETS		DESND.	DATE
VP	VP	VP	17-Sep-20
VP	VP	VP	17-Sep-20
NJK	NJK	NJK	17-Sep-20
APPD.	APPD.	APPD.	DATE

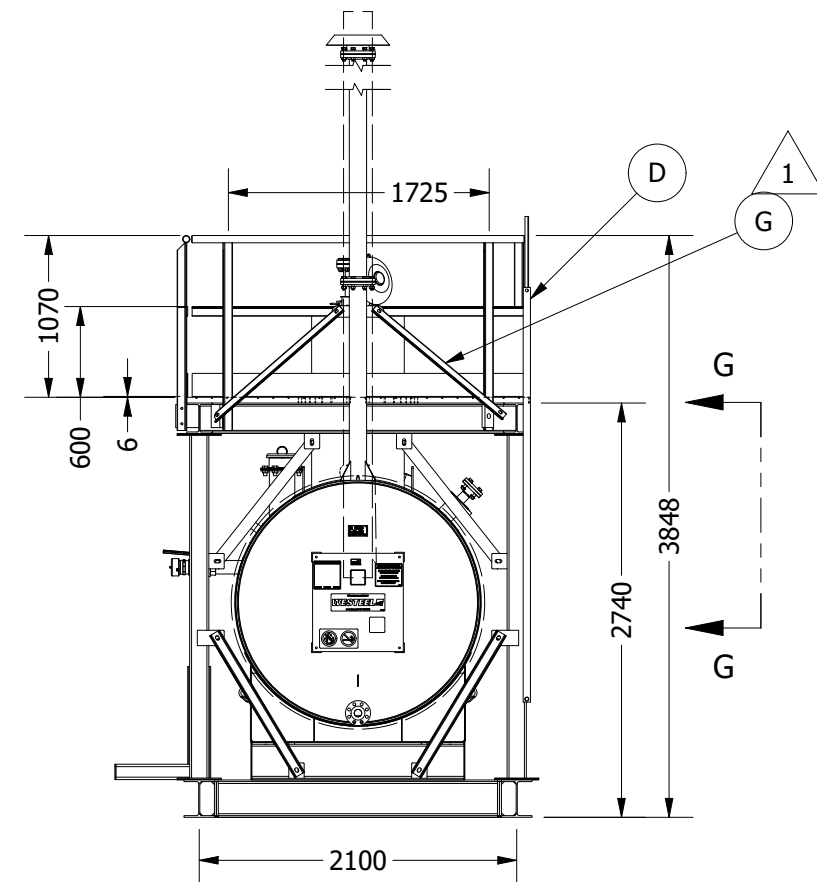
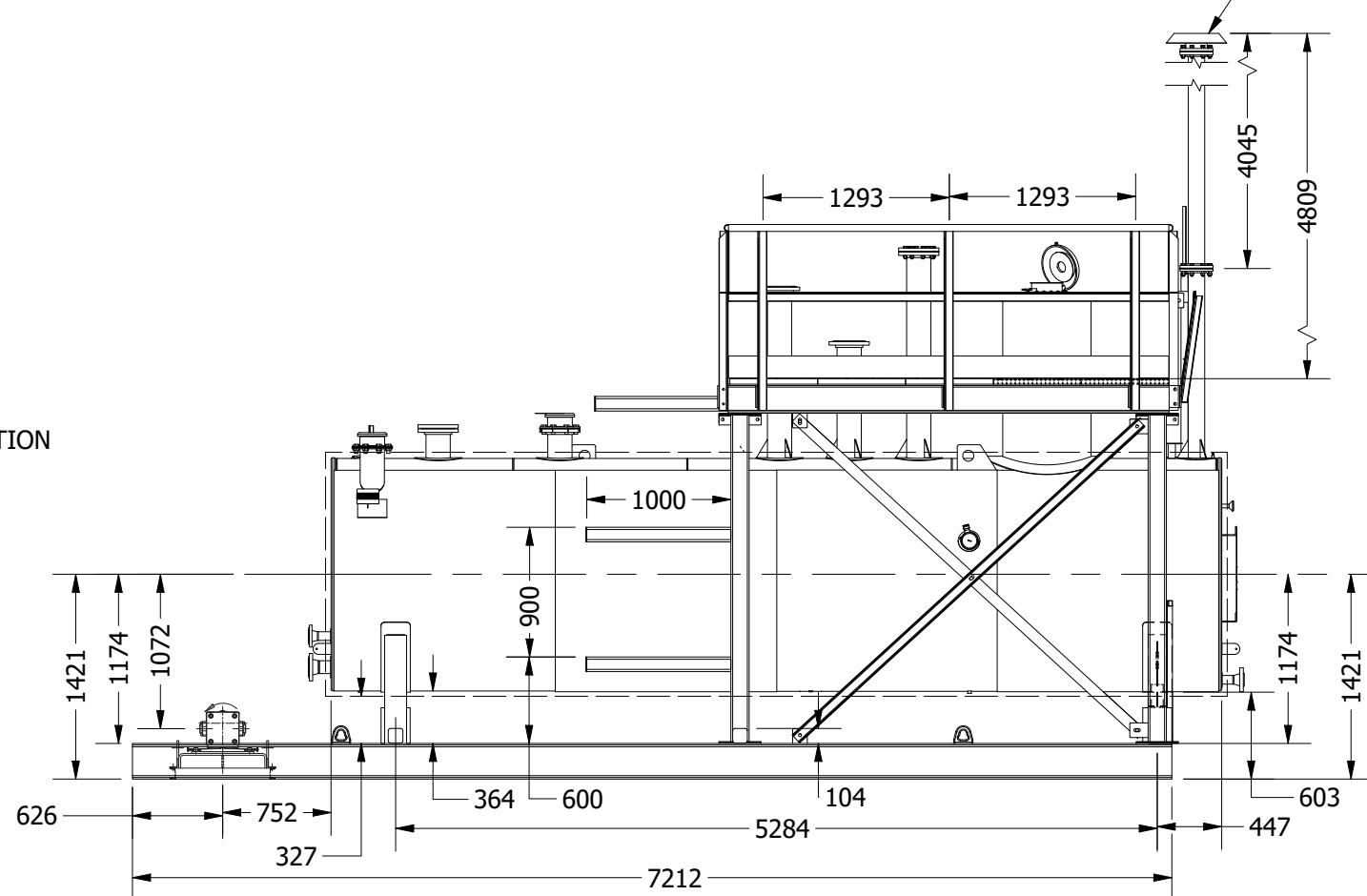
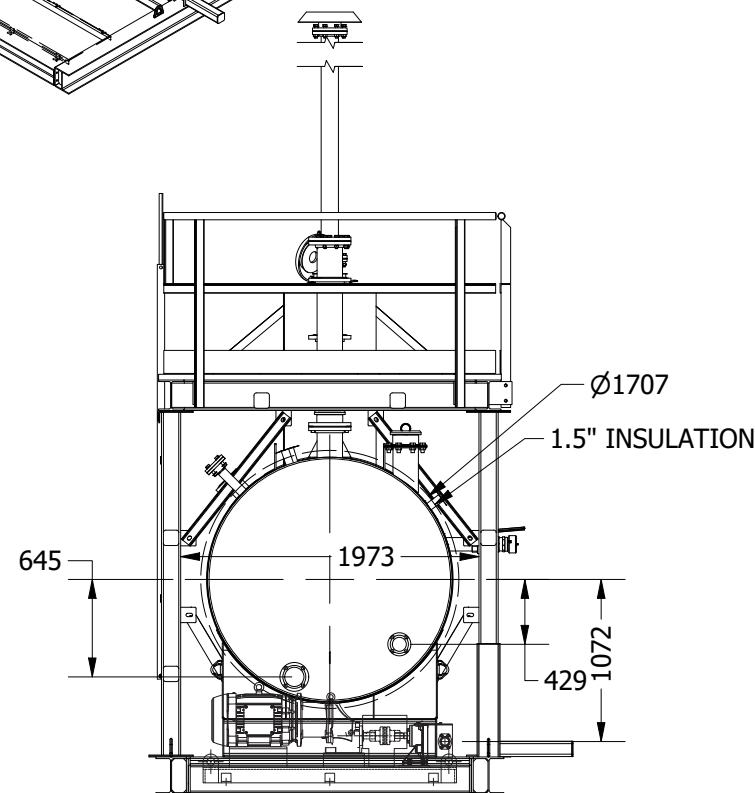
AGI WESTEEL
 This drawing is the exclusive property of WESTEEL and all rights are reserved. No part of this drawing may be used or reproduced in any manner whatsoever without written permission from WESTEEL.
SUMP TANK HDW 3275 USG UL142
 GENERAL ARRANGEMENT
 CUSTOMER: TransCanada Pipelines Ltd.

CALCULATED WEIGHT	LOCATION
N/A	5067
QUOTE NO.	ORDER NO.
25014397	
DRAWING NO.	REV.
25012625-HDW3000	5
	SHEET
	1 OF 3

*LIFT LUG NOT CERTIFIED TO LIFT TANK CONTAINING PRODUCT



UPDRAFT VENT - SERIES 4000 ENARDO FREE VENT 4" #150FF

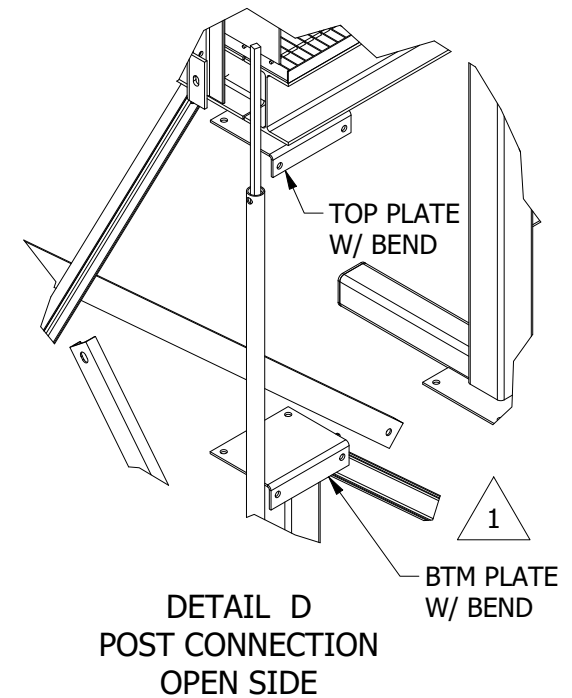
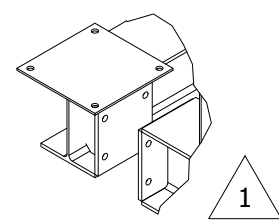
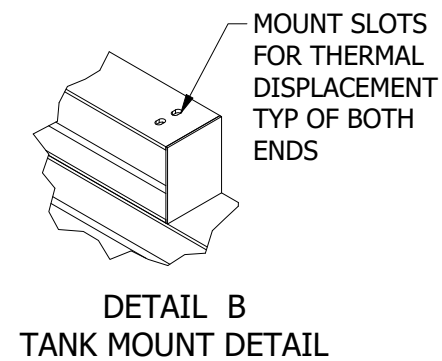
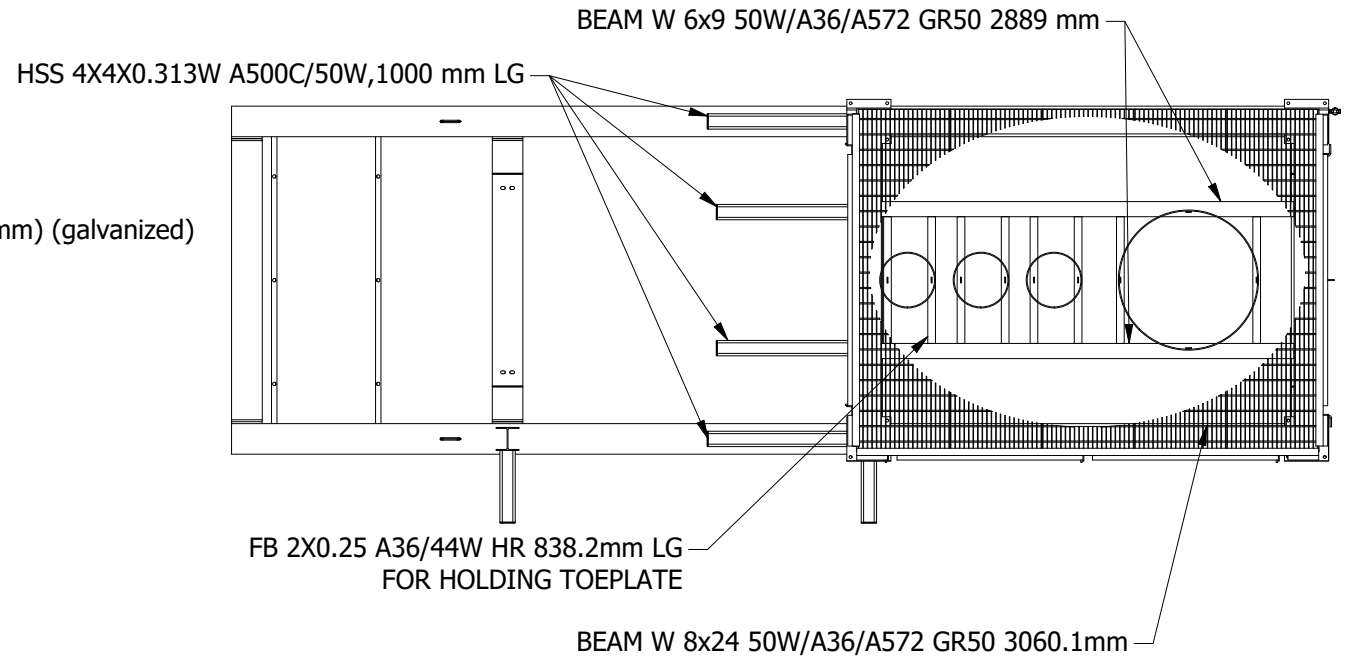
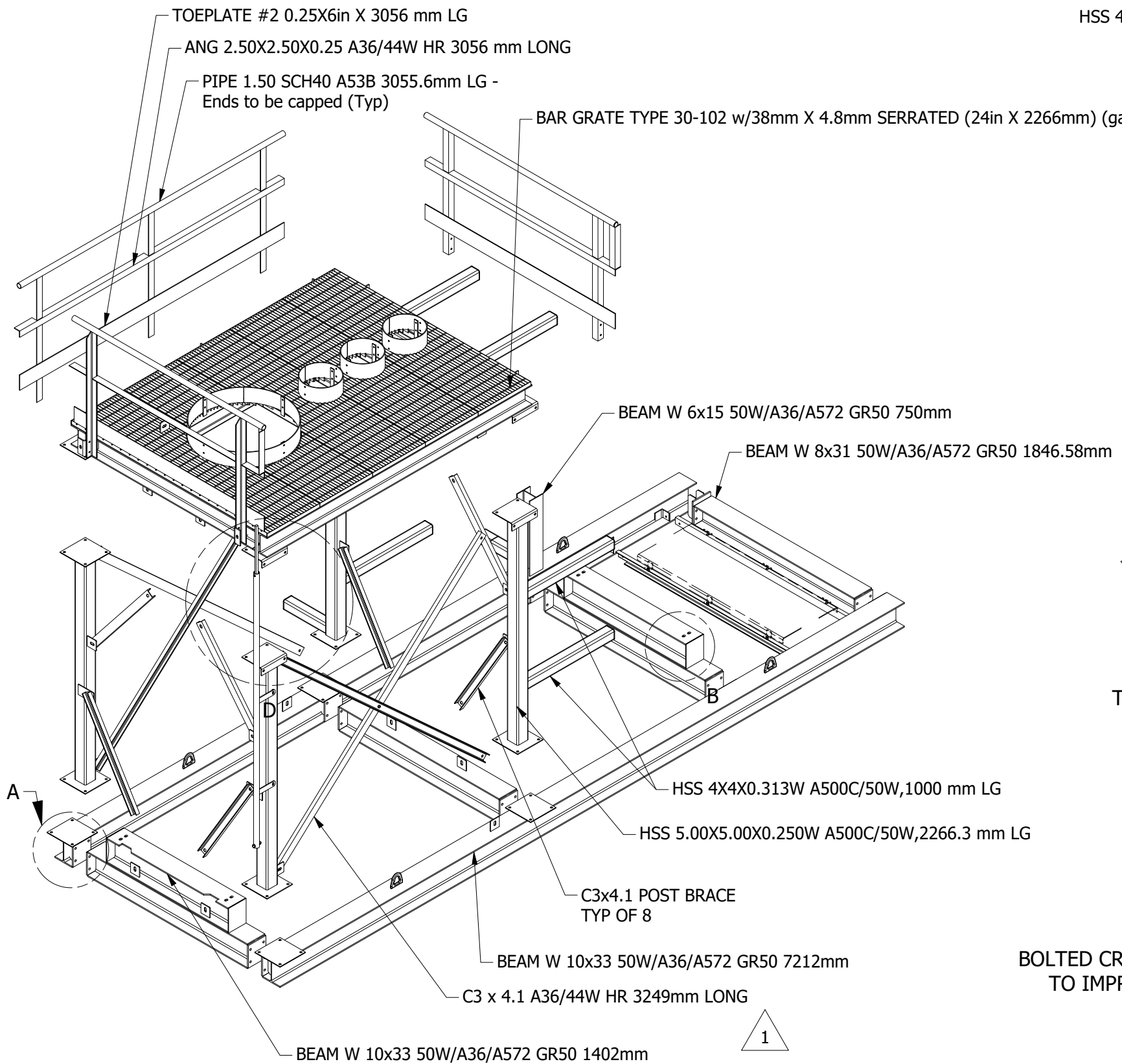


IMPORTANT NOTE:
FIREPROOFING OF THE TANK SUPPORT AND SKID IS DESIGNED AND DONE BY OTHERS.

DIMENSIONS SHOWN ARE MM IMPERIAL UNITS ARE IN BRACKETS	DESND. VP	DATE 16-Sep-20
TOLERANCES (UNLESS OTHERWISE NOTED)	DWN. VP	DATE 17-Sep-20
DIMENSIONS: METRIC (mm) IMPERIAL (in.)	CHKD. NJK	DATE 17-Sep-20
x ± 2 .x ± .1 .x ± 1.0 .xx ± .03 .xx ± .50 .xxx ± .010	APPD.	DATE
ANGULAR: ± 1°		

AGI WESTEEL	This drawing is the exclusive property of WESTEEL and all rights are reserved. No part of this drawing may be used or reproduced in any manner whatsoever without written permission from WESTEEL. DRAWING TITLE SUMP TANK HDW 3275 USG UL142 GENERAL ARRANGEMENT CUSTOMER TransCanada Pipelines Ltd.
--------------------	---

CALCULATED WEIGHT N/A	LOCATION 5067
QUOTE NO. 25014397	ORDER NO.
DRAWING NO. 25012625-HDW3000	REV. 5
	SHEET 2 OF 3



NOTE:
 KICK PLATE AND HANDRAIL PAINTED SAFETY YELLOW.
 EVERYTHING ELSE - HOT DIP GALVANIZED.

DIMENSIONS SHOWN ARE MM IMPERIAL UNITS ARE IN BRACKETS TOLERANCES (UNLESS OTHERWISE NOTED) DIMENSIONS: METRIC (mm) IMPERIAL (in.) x ± 2 .x ± .1 .x ± 1.0 .xx ± .03 .xx ± .50 .xxx ± .010 ANGULAR: ± 1°	DESND. FR	DATE 19-Jun-14	AGI WESTEEL This drawing is the exclusive property of WESTEEL and all rights are reserved. No part of this drawing may be used or reproduced in any manner whatsoever without written permission from WESTEEL. FULL SKID ASSEMBLY WITH PLATFORM CUSTOMER TransCanada Keystone Pipelines, Limited Partnership	CALCULATED WEIGHT 6157.5 lbmass	LOCATION
	DWN. VP	DATE 17-Sep-20		QUOTE NO. 25014397	ORDER NO.
	CHKD. NJK	DATE 17-Sep-20		DRAWING NO. 25012625-FRAME	REV. 5
	APPD.	DATE			SHEET 3 OF 3