

Document Title: X021916 25012625 SKID PLATFORM - Structural skid and platform plan, elevation and sections

Document Number: 25472-100-V2A-MTNF-Z0002

Revision Number: B

PO Number: 4500244847

Material Requisition Number: 25472-100-MRA-MTNF-Z0002

Tag #:	151-VLLEY-B0-OST-01	157-BFLPS-B0-OST-01
	152-FTPCK-B0-OST-01	158-FAITH-B0-OST-01
	153-CRCLE-B0-OST-01	159-HAKON-B0-OST-01
	154-PRAIR-B0-OST-01	160-MURDO-B0-OST-01
	155-FALLN-B0-OST-01	161-WINNR-B0-OST-01



Westeel a division of Ag Growth International Inc.
 450 Desautels Street
 Winnipeg, Manitoba
 Canada, R2H 3E6
 1-800-665-2099

Rev No.	Rev Date yyyy-mm-dd	Reason for Issue	Contractor Originator	Contractor Reviewer	Contractor Approver
B	22-Dec-20	For Information	Westeel	Scott K	Scott K
A	27-Nov-19	For Information	Westeel	Fazlur R	Fazlur R

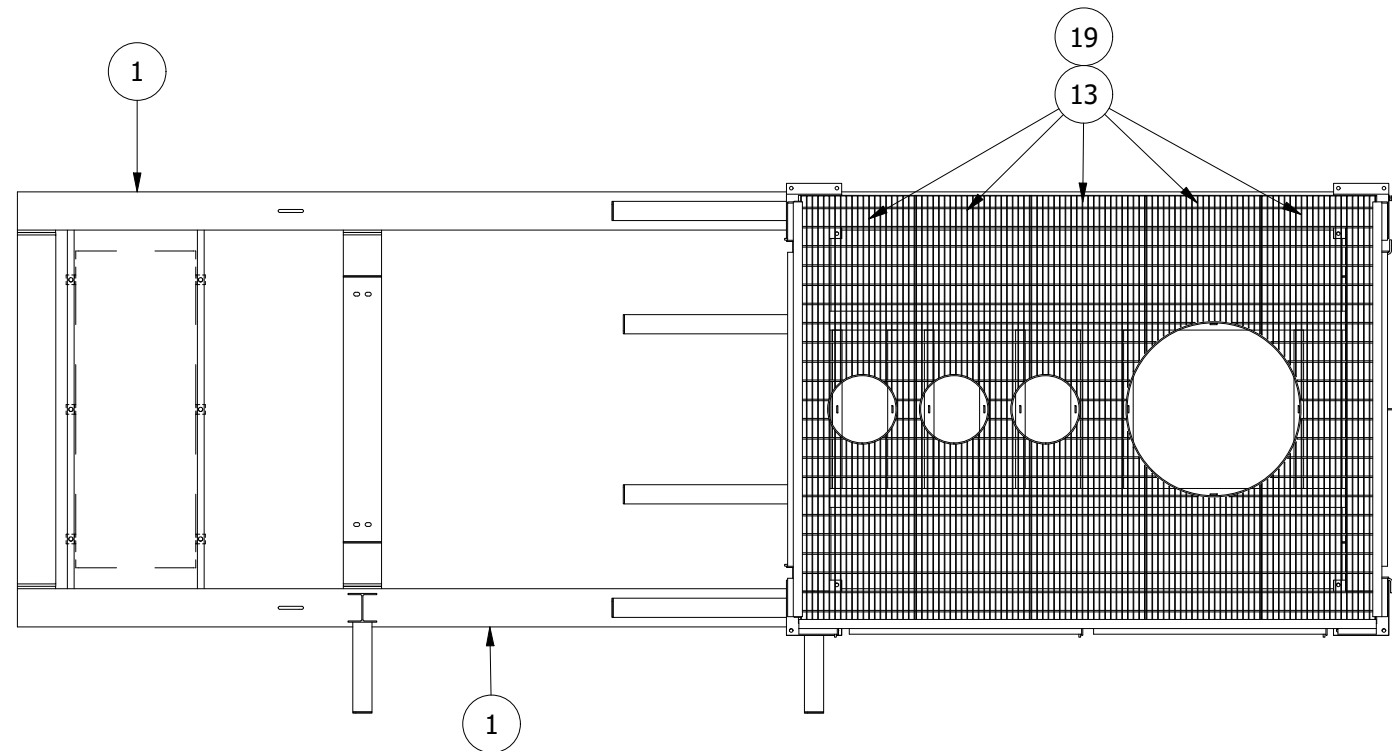
CODE 1: Work may proceed.



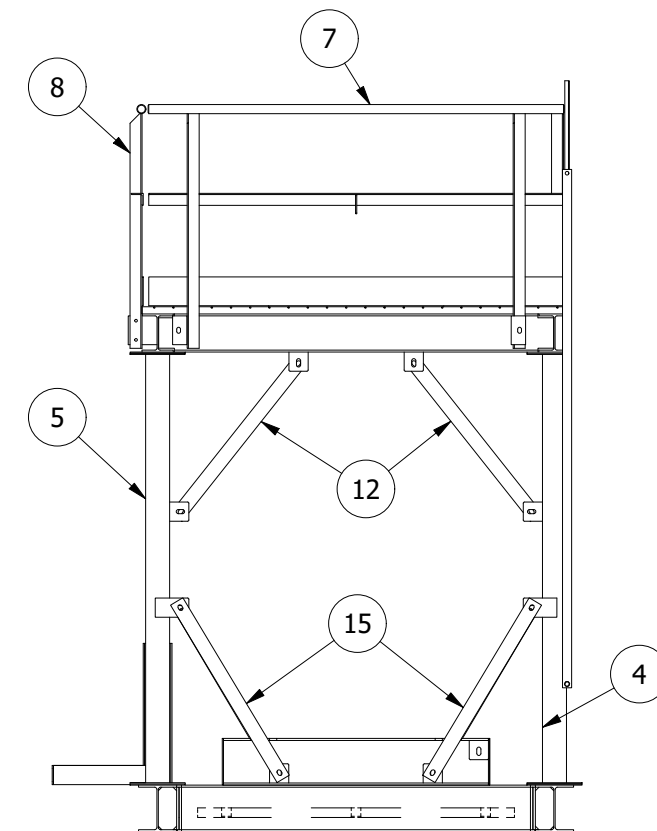
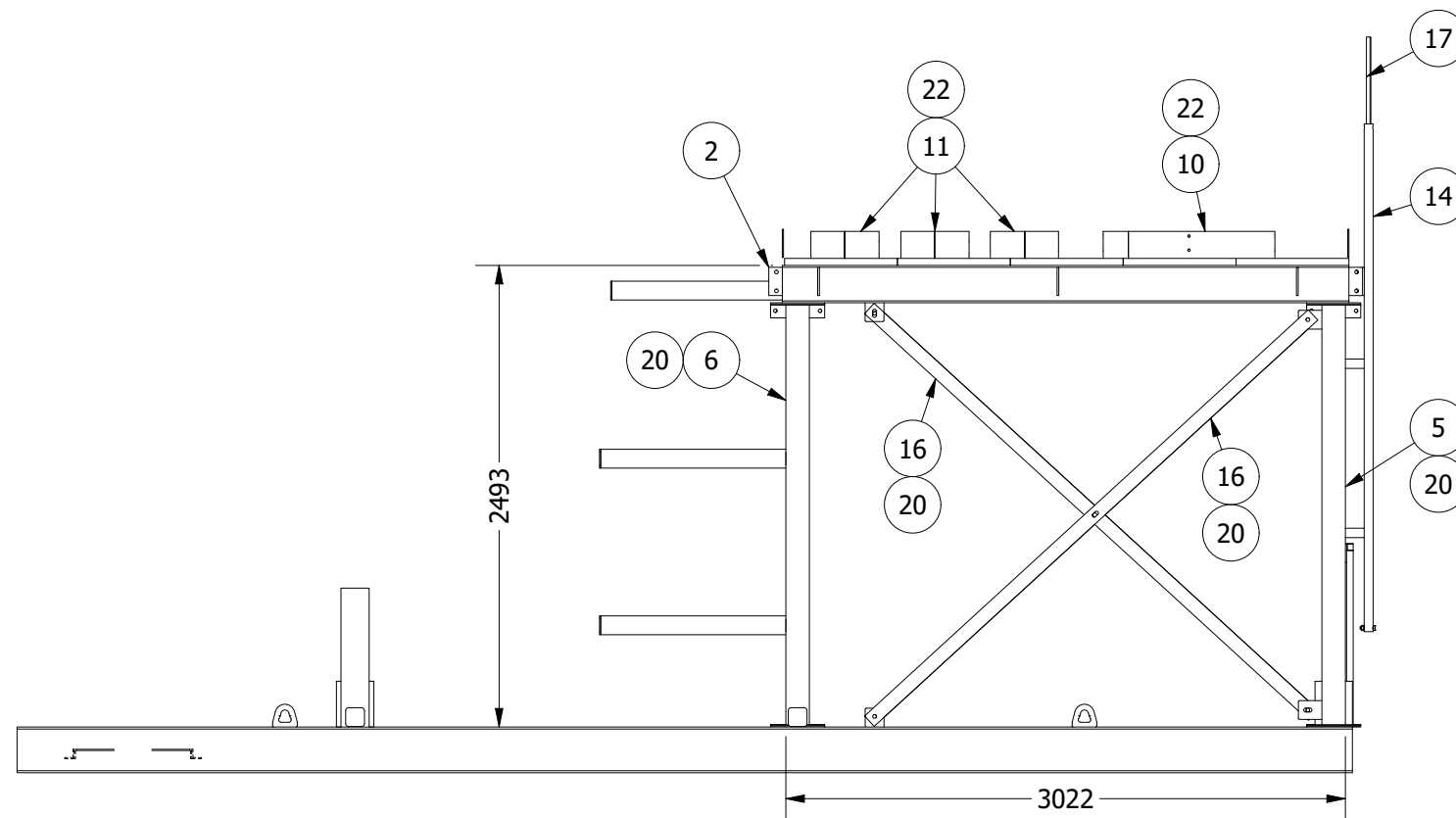
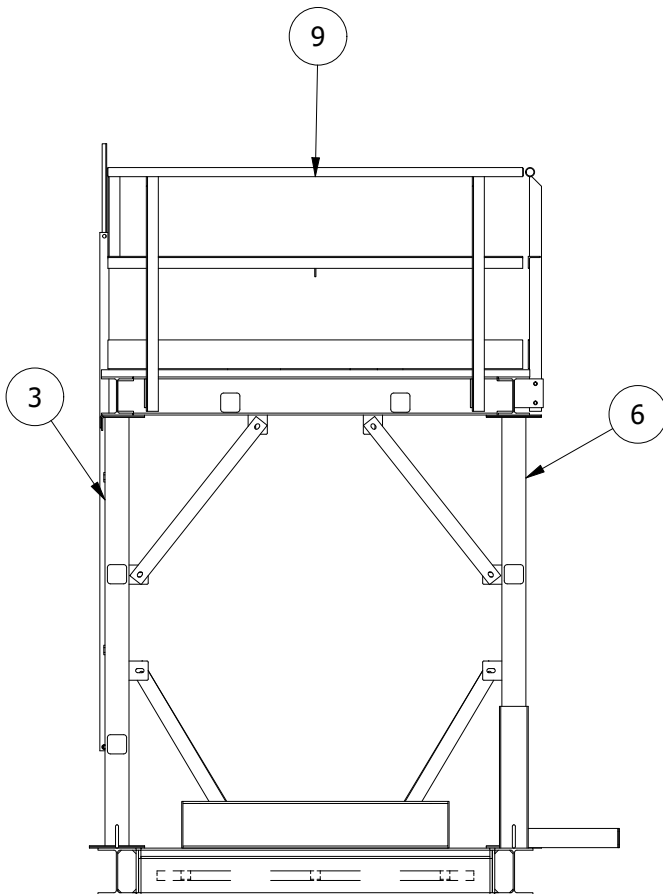
Permission to proceed does not constitute acceptance or approval of design details, calculations, analyses, test methods or materials developed or selected by the supplier and does not relieve the supplier from full compliance with contractual obligations.

Name: Halyna Hutsulyak

Date: 01/05/2021



ITEM	ITEM QTY	PART NO.	DESCRIPTION
1	1	25014397 BTM PLATFORM - 3	SKID BTM PLATFORM
2	1	25014397 - TOP PLATFORM	SKID TO PLATFORM
3	1	X022729G	SKID POST #4
4	1	X022730G	SKID POST #3
5	1	X022731G	SKID POST #2
6	1	X022732G	SKID POST #1
7	1	X022733	HANDRAIL #3
8	1	X022734	HANDRAIL #2
9	1	X022735	HANDRAIL #1
10	1	X022736	PL .250 X 6.00in X 2889 mm L ROLLED
11	3	X022737	PL 0.250X 6.00in X972 mm L ROLLED
12	6	X022738G	C3 x 4.1 A36/44W HR 1075mm LONG
13	5	X021915	BAR GRATE TYPE 30-102 w/38mm X 4.8mm SERRATED (24in X 2266mm)
14	1	900782G	DIPSTICK HOLDER 108X93
15	2	X022739G	C3 x 4.1 A36/44W HR 1095mm LONG
16	4	X022740G	C3 x 4.1 A36/44W HR 3249mm LONG
17	1	263035	GAUGE STICK 20X11X320(10.5') FLAT
18	1	285171	BOLT KIT ADJUSTABLE KNEE BRACE
19	20	100312	CLIP "G" STYLE GALV
20	1	X021922	HDWE PKG #1 SIZE 0.625" x 1.50" - 61QTY
21	1	X021923	HDWE PKG #1 SIZE 0.625" x 2.0" - 22QTY
22	1	X021919	HDWE PKG #1 SIZE 0.375" x 1" -20QTY



NOTE:
 ALL THE TOEPLATES ARE TO BE BLAST AND PAINTED SAFETY YELLOW, EVERYTHING ELSE ARE HOT DIP GALVANIZED.
 -INSCRIBE ALL THE PARTS WITH TANK SERIAL NUMBER PRIOR TO SENDING FOR GALVANIZING.

NO	DATE	DESCRIPTION	ECR	BY	CH
2	21-Dec-20	TOP ROOF DESIGN CHANGED		VP	
1	05-Nov-20	REVISED AS PER REVIEW		VP	
0	08-Jun-19	RELEASE FOR PRODUCTION		FR	

DIMENSIONS SHOWN ARE MM IMPERIAL UNITS ARE IN BRACKETS	DESND. FR	DATE 19-Jun-14
TOLERANCES (UNLESS OTHERWISE NOTED)	DWN. FR	DATE 19-Jun-14
DIMENSIONS:	CHKD.	DATE
METRIC (mm) IMPERIAL (in.)	APPD.	DATE
x ± 2 .x ± .1		
.x ± 1.0 .xx ± .03		
.xx ± .50 .xxx ± .010		
ANGULAR: ± 1°		

AGI WESTEEL

This drawing is the exclusive property of WESTEEL and all rights are reserved. No part of this drawing may be used or reproduced in any manner whatsoever without written permission from WESTEEL.

DRAWING TITLE
**FULL SKID ASSEMBLY WITH PLATFORM
 SKID FABRICATION**

CUSTOMER
 TransCanada Keystone Pipelines, Limited Partnership

CALCULATED WEIGHT N/A	LOCATION 5067
QUOTE NO. 25014397	ORDER NO.
DRAWING NO. 25014397 FRAME 3	REV. 2
	SHEET 1 OF 2