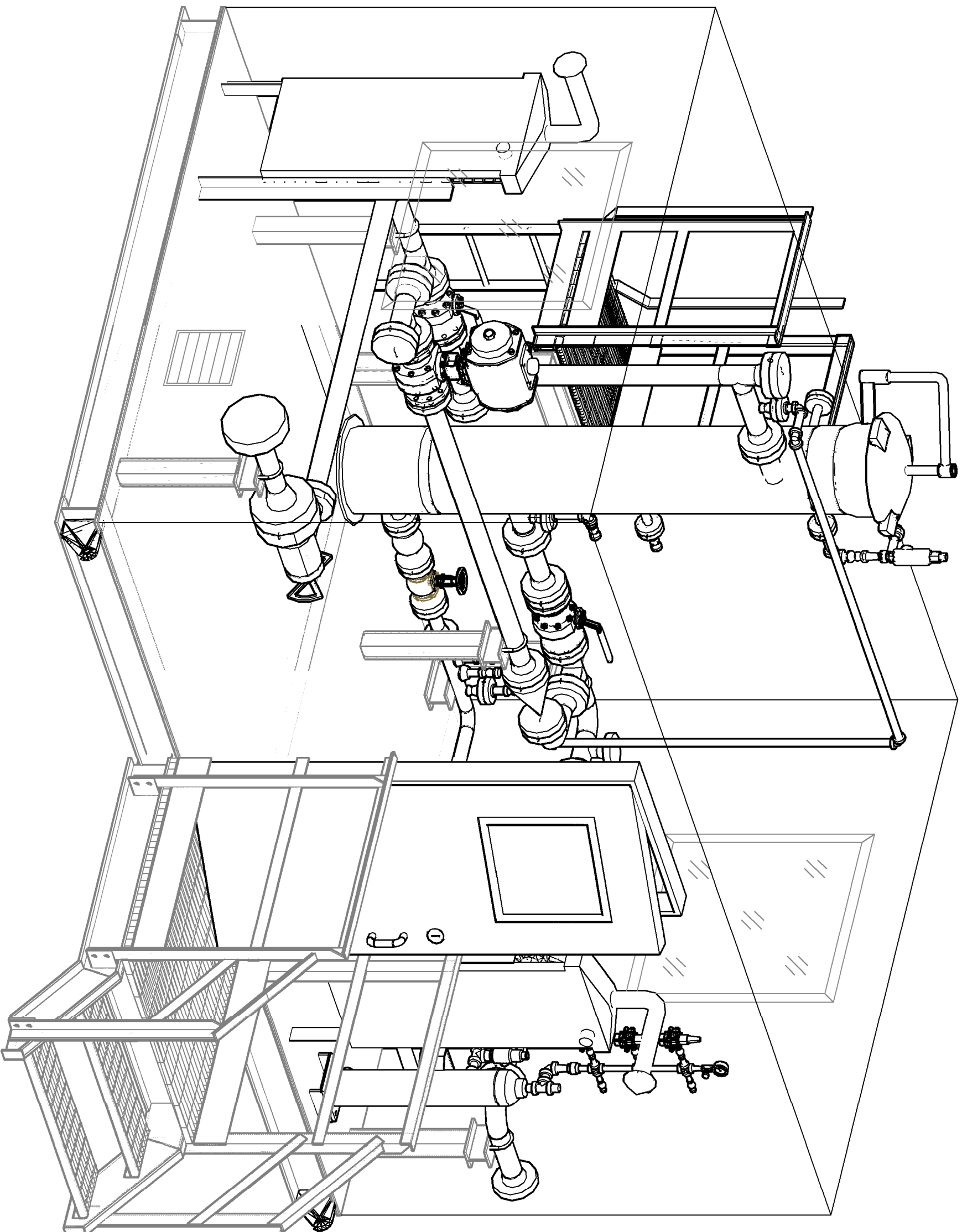
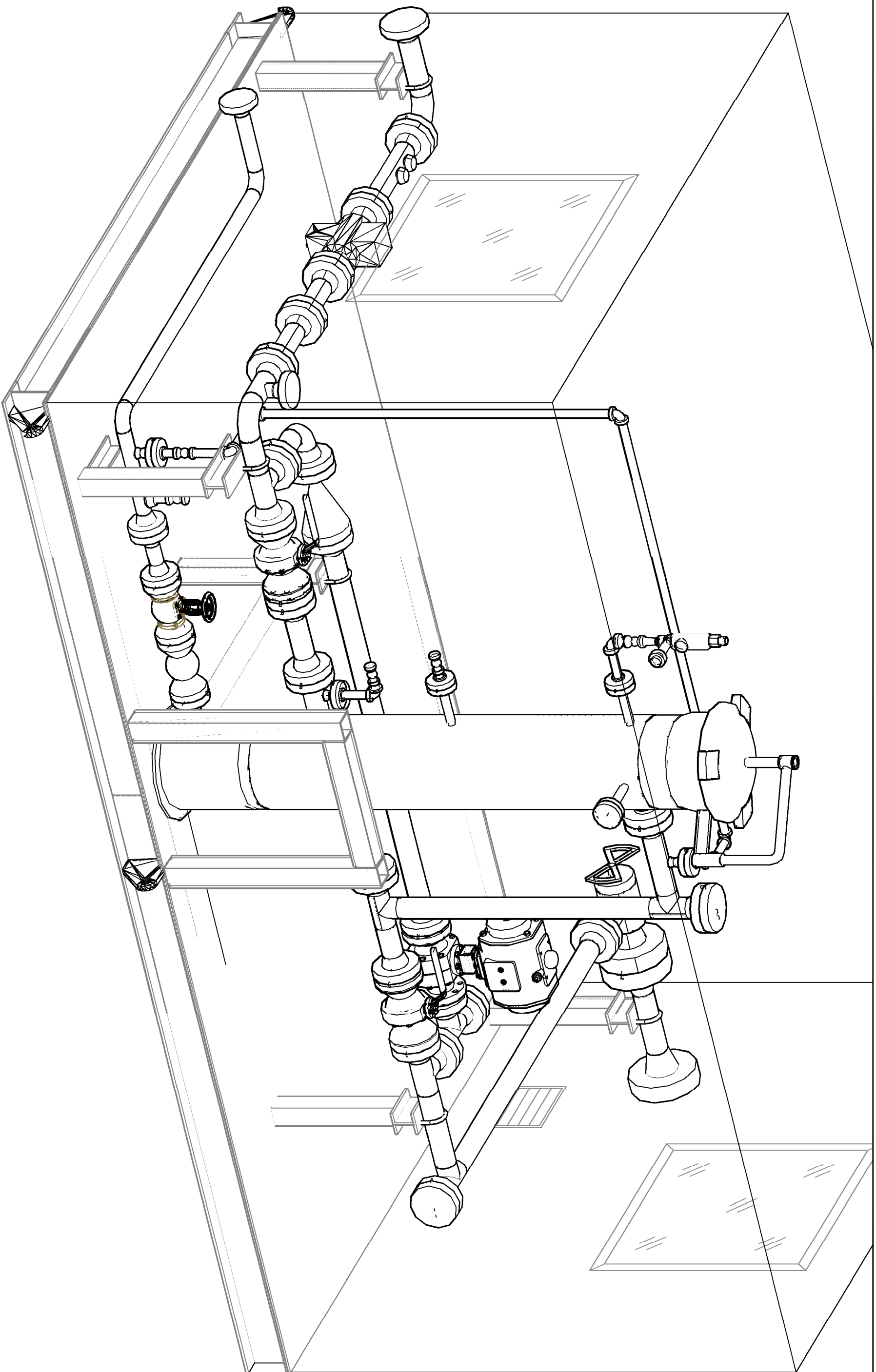


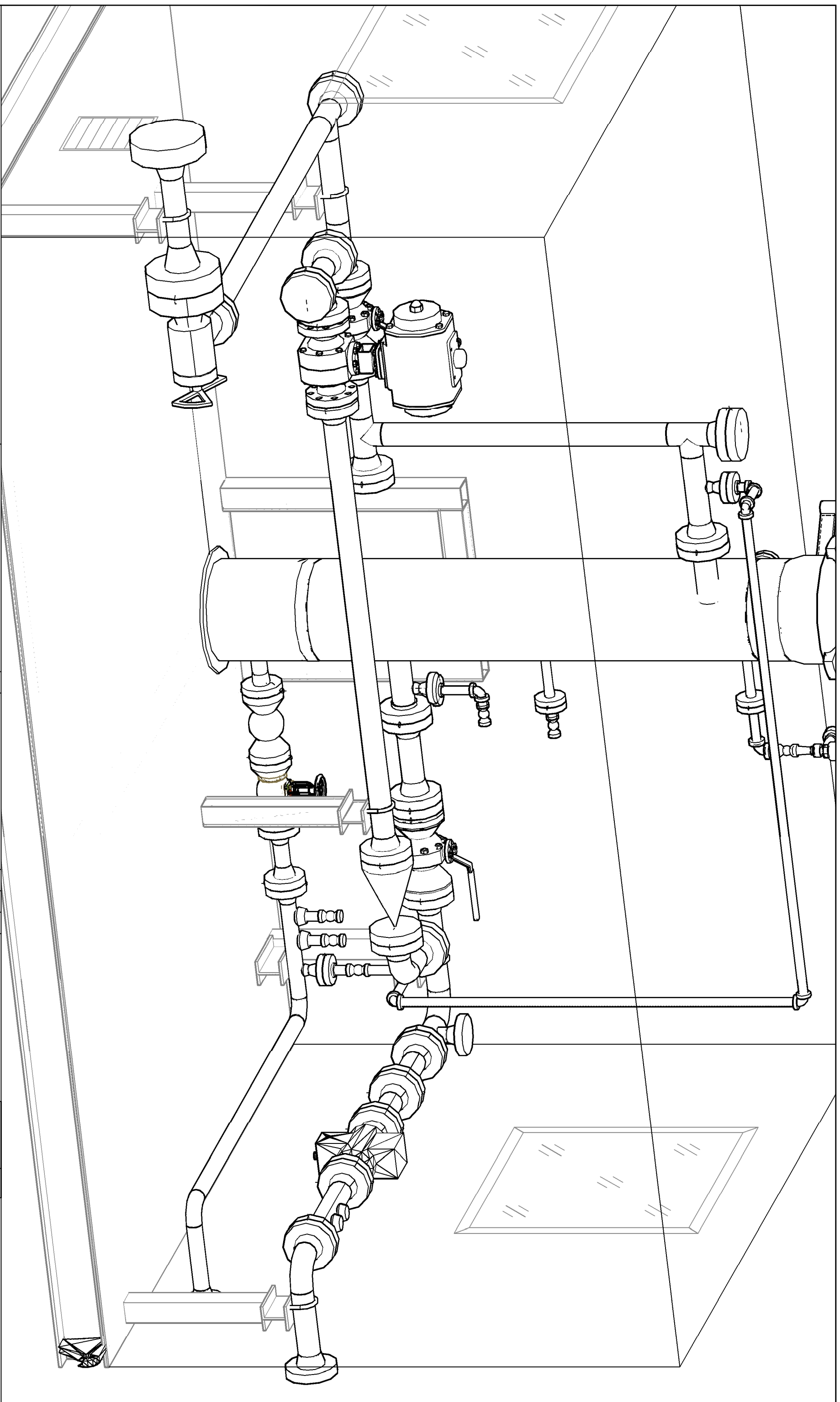
NO.		REVISION		DATE		BY		APR		LOGIX CONTROLS FSJ		SCALE		AS NOTED		JOB NO.		DRAWING NO.		REV. 0	
										SAND SEPERATOR PACKAGE											
										ENG. RECORD		DATE		JUNE 26/2018							
										DRAWN BY											
										CHECKED											
										APPROVED											



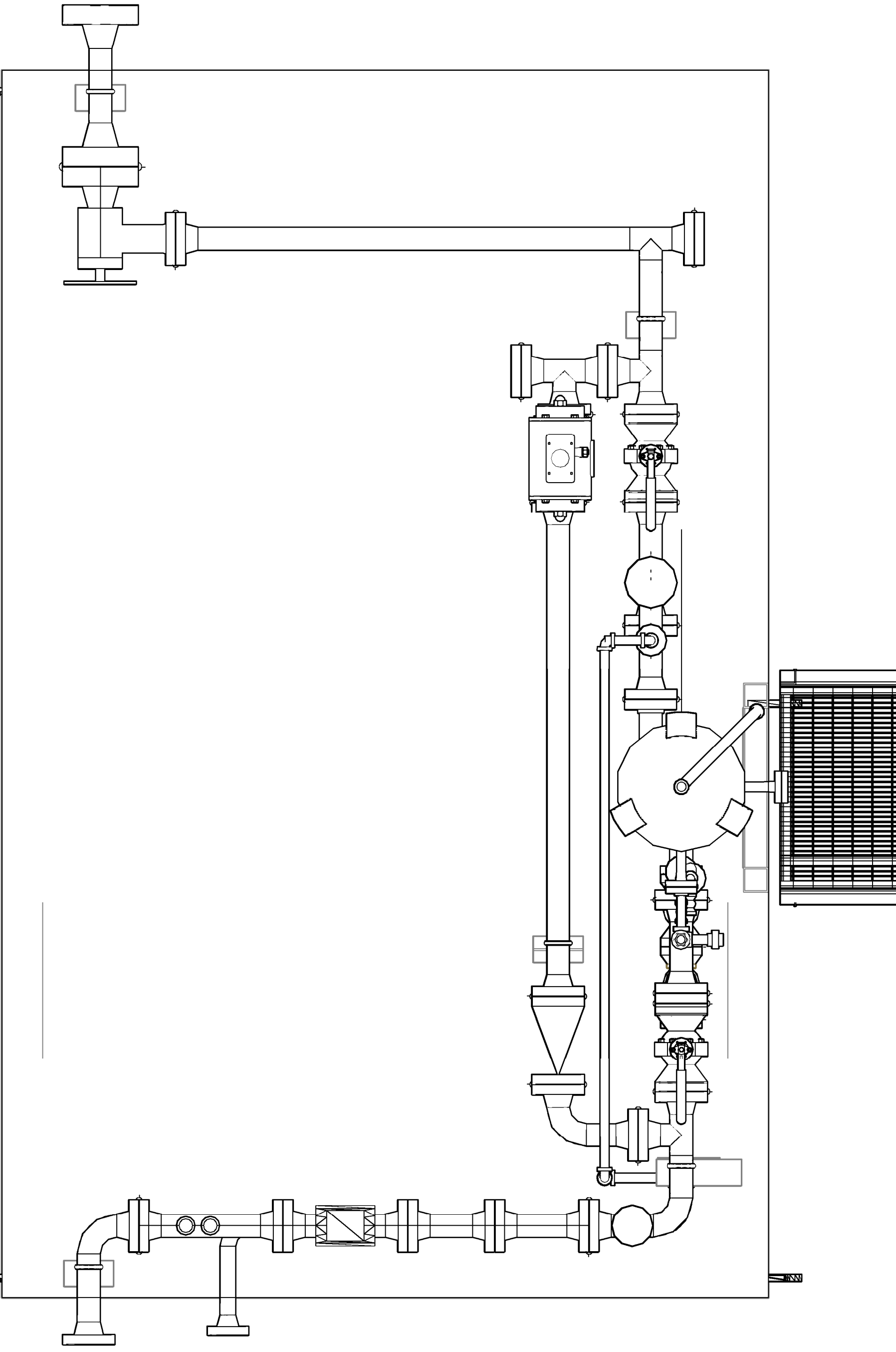
NO.		REVISION		DATE		BY		APR		LOGIX CONTROLS FSJ		SCALE		AS NOTED		JOB NO.		DRAWING NO.		REV. 0	
										SAND SEPERATOR PACKAGE		DATE		JUNE 26/2018		DRAWN BY					
										CHECKED				APPROVED							
										ENG. RECORD											



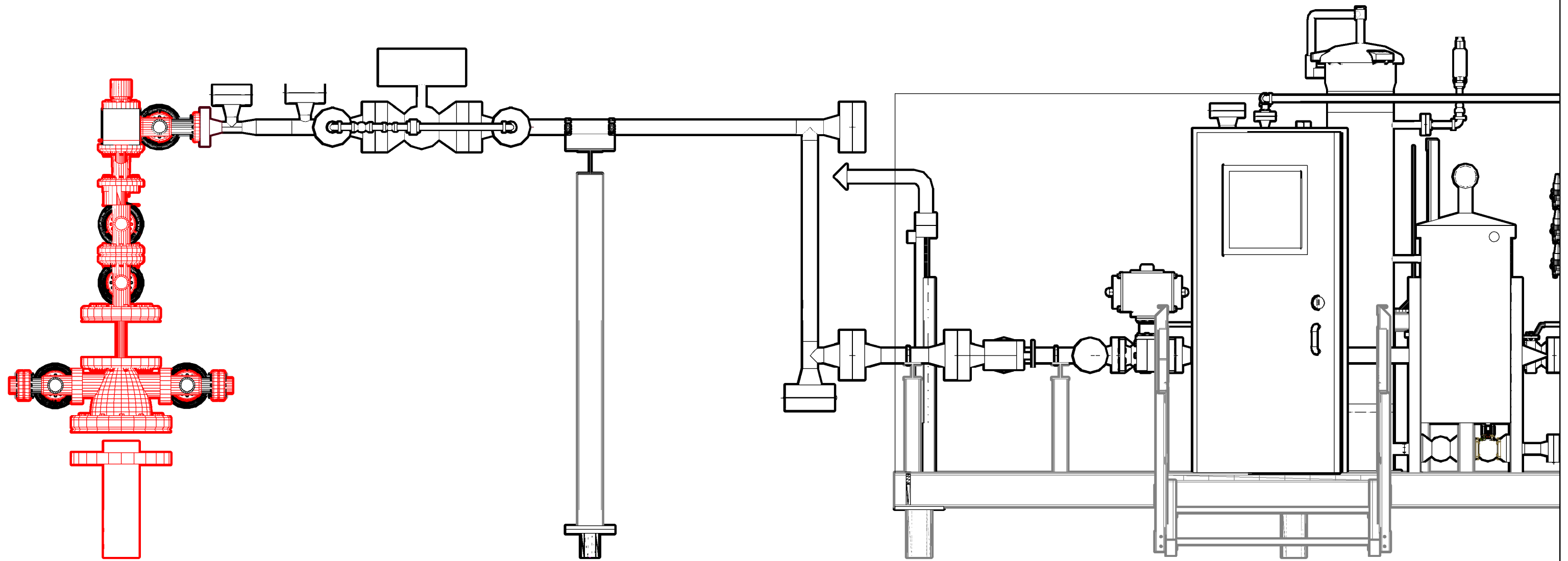
NO.		REVISION		DATE		BY		APR		LOGIX CONTROLS FSJ		SCALE		AS NOTED		REV. 0	
										JOB NO.		DRAWING NO.					
										DATE		JUNE 26/2018		SAND SEPERATOR PACKAGE			
										ENG. RECORD							
										DRAWN BY							
										CHECKED							
										APPROVED							



NO.		REVISION		DATE		BY		APR		LOGIX CONTROLS FSJ		SCALE		AS NOTED		JOB NO.		DRAWING NO.		REV. 0	
										ENG. RECORD		DATE		SAND SEPERATOR PACKAGE							
										DRAWN BY		JUNE 26/2018									
										CHECKED											
										APPROVED											



NO.		REVISION		DATE		BY		APR		LOGIX CONTROLS FSJ		SCALE		AS NOTED		DRAWING NO.		REV. 0	
										SAND SEPERATOR PACKAGE		ENG. RECORD		DATE		JOB NO.			
										DRAWN BY		JUNE 26/2018		CHECKED					
										APPROVED				APPROVED					



						ENG. RECORD DATE DRAWN BY JUNE 26/2018 CHECKED APPROVED APPROVED SCALE AS NOTED		SAND SEPERATOR PACKAGE JOB NO. DRAWING NO.		REV. 0
				LOGIX CONTROLS FSJ						
NO.	REVISION	DATE	BY	APR						