




BUYER Name	Transcanada Keystone Pipeline, LP
Bechtel Client Name	Transcanada
Project Title	KXL Pipeline
Bechtel Project Number	225472
Bechtel Document Number	25472-101-V1A-EQ00-W0003
Project Location	Steel City Canada
Bechtel PO Number	25472-101-POA-EQ00-W0001
Supplier Order number	
Applicable Tag Numbers	See Below List
Supplier Drawing Number	3131C
Supplier Rev Number	C
Document Title	GNDBAR-ENCL-TC

 25472-101-V1A-EQ00-W0003  
02

**Supplier Document Status**  
**Code 1**

Code 1 = Work may proceed, submit certified print.  
Code 2 = Revise and resubmit. Work may proceed subject to resolution of indicated comments  
Code 3 = Revise and resubmit. Work may not proceed.  
Code 4 = Review not required. Work may proceed.

Permission to proceed does not constitute acceptance or approval of design details, calculations, analyses, test methods, or materials developed or selected by the Supplier and does not relieve the Supplier from full compliance with contractual obligations.

Responsible Engineer - Srinivasan\_Saradha  
Date Signed - 27-Jan-2014  
VPTL - VPTL-32242  
Equipment No. - 122-LKSDE-B0-CPJB-0101

Srinivasan\_Saradha  
2014/01/28  
01:16:02 AM China Standard Time

122-LKSDE-B0-CPJB-0101  
122-LKSDE-B0-CPJB-0102  
122-LKSDE-B0-CPJB-0205  
123-MTRSP-B0-CPJB-0101  
123-MTRSP-B0-CPJB-0102  
123-MTRSP-B0-CPJB-0205  
124-OYENS-B0-CPJB-0101  
124-OYENS-B0-CPJB-0102  
124-OYENS-B0-CPJB-0205  
126-FXVLY-B0-CPJB-0101  
126-FXVLY-B0-CPJB-0102

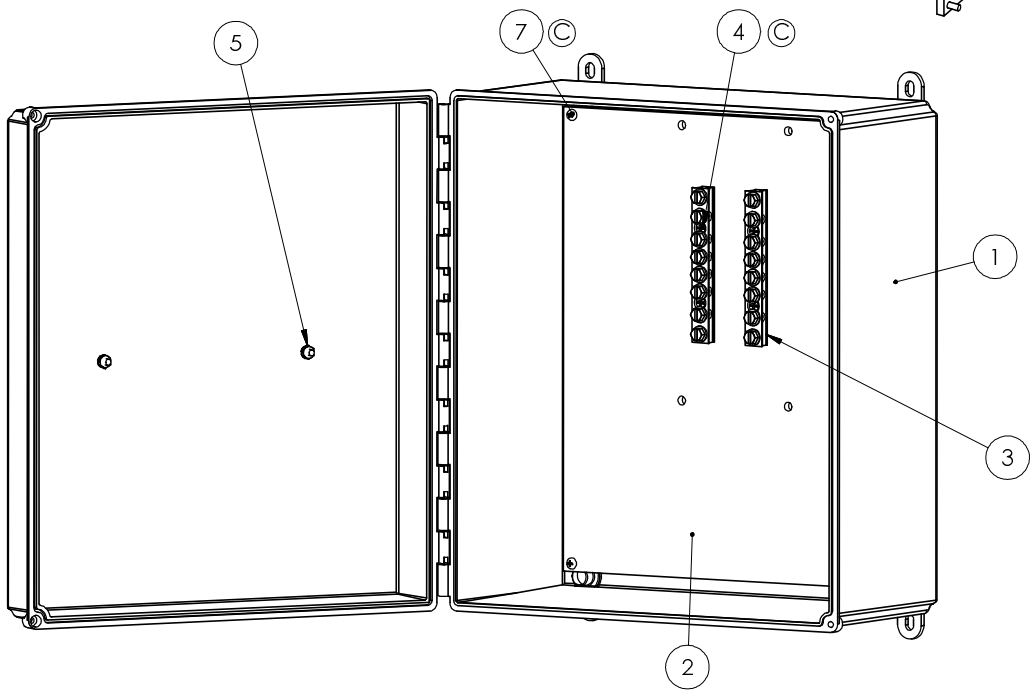
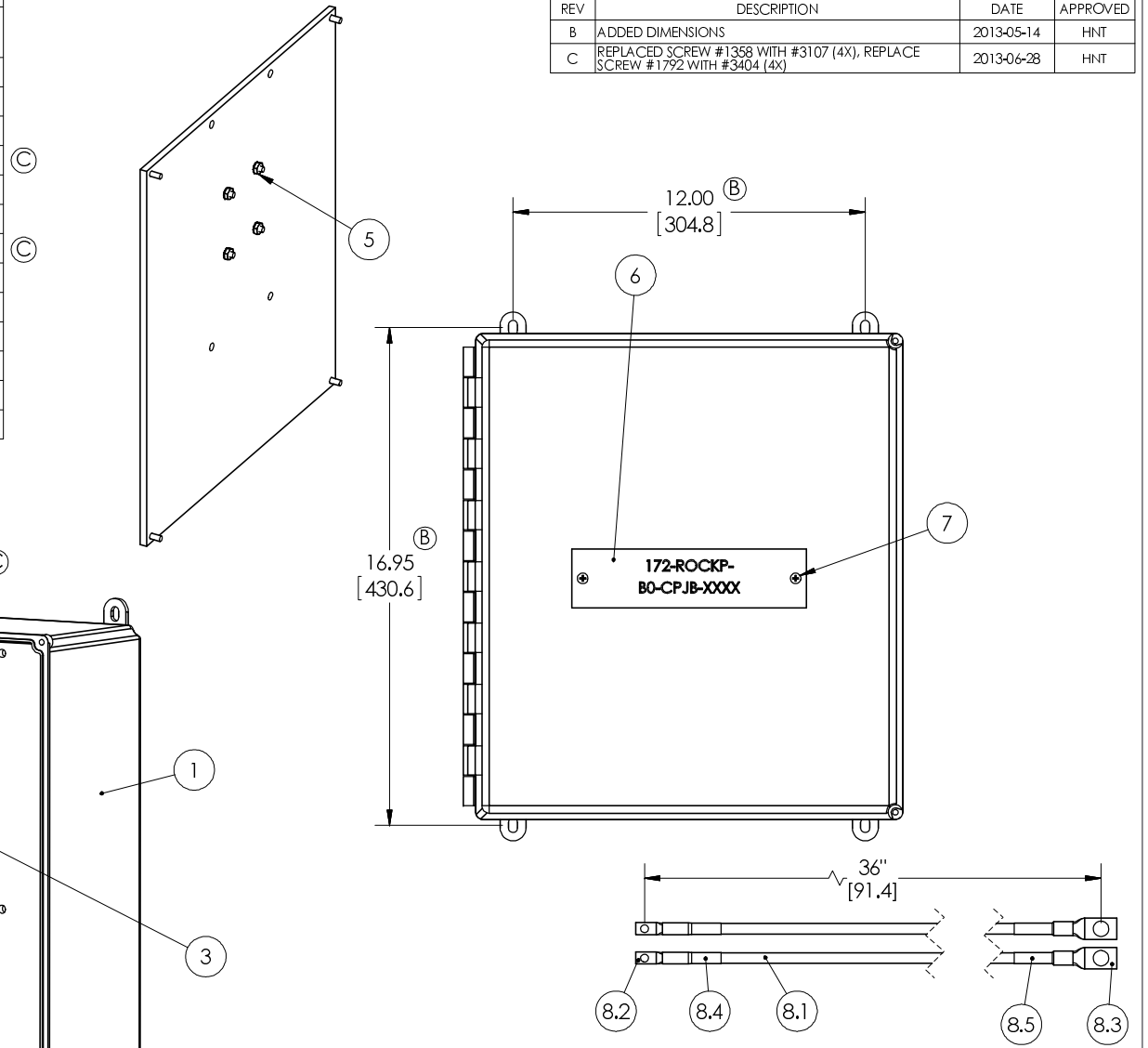
126-FXVLY-B0-CPJB-0205  
127-PIAPT-B0-CPJB-0101  
127-PIAPT-B0-CPJB-0102  
127-PIAPT-B0-CPJB-0205  
240-HRDBP-01A-B0-CPJB-01  
240-LKSDE-01A-B0-CPJB-01  
240-LKSDE-02A-B0-CPJB-01  
240-MTRSP-01A-B0-CPJB-01  
240-OYENS-01A-B0-CPJB-01  
240-OYENS-02A-B0-CPJB-01  
240-OYENS-03A-B0-CPJB-01  
240-BDLSS-01A-B0-CPJB-01

240-BDLSS-04A-B0-CPJB-01  
240-FXVLY-01A-B0-CPJB-01  
240-FXVLY-03A-B0-CPJB-01  
240-PIAPT-02A-B0-CPJB-01  
240-PIAPT-03A-B0-CPJB-01  
240-PIAPT-04A-B0-CPJB-01  
240-GRSSY-01A-B0-CPJB-01  
240-GRSSY-03A-B0-CPJB-01  
240-GRSSY-04A-B0-CPJB-01

BILL-OF-MATERIAL (BOM) TABLE

LINE NO.	DOCUMENT NUMBER	DESCRIPTION	QTY.
1	3144	Enclosure Fiberglass 16"Hx14"Wx8"D NEMA 4X	1
2	3105	Panel Insulating Enclosure TC	1
3	3106	Ground Bar TC	2
4	3404	Screw FH PH 10-32x1"	4
5	1566	Nut Keps 10-32	6
6	3140	LABEL Type 20 TC	1
7	3107	Screw RH PH 10-32x5/8"	6
8	3129	MTL-2FLEX-36-C12-C14	2
8.1	2762	Wire #2 DLO Flex HW25400201 x 36"	1
8.2	3136	Terminal Compression 1H Hole 1/4" Narrow Tongue 2FLEX	1
8.3	3138	Terminal Compression 1H Hole 1/2" 2FLEX	1
8.4	1181	Heat Shrink UL224 1/2"	1
8.5	1181	Heat Shrink UL224 1/2"	1

REVISIONS			
REV	DESCRIPTION	DATE	APPROVED
B	ADDED DIMENSIONS	2013-05-14	HNT
C	REPLACED SCREW #1358 WITH #3107 (4X), REPLACE SCREW #1792 WITH #3404 (4X)	2013-06-28	HNT



<small>ANSI Y14.5M 1994 APPLIES</small>  <small>UNLESS NOTED UNITS: INCHES</small> <small>3-PLACE: ±.005</small> <small>2-PLACE: ±.015</small> <small>1-PLACE / FRAC: ±.03</small> <small>ANGULAR: ±1</small>		DESCRIPTION <b>GND BAR-ENCL-TC</b>			
		DOCUMENT # <b>3131</b>	REV <b>C</b>	DATE DRAWN <b>2013-01-09</b>	DWG SIZE <b>B</b>
SCALE 1:4		DRAWN: JPW	SHEET: 1 OF 1		DWG APPROVAL: HNT