



BUYER Name	Transcanada Keystone Pipeline, LP
Bechtel Client Name	Transcanada
Project Title	KXL Pipeline
Bechtel Project Number	225472
Bechtel Document Number	25472-101-V1A-EQ00-W0002
Project Location	Steele City Canada
Bechtel PO Number	25472-101-POA-EQ00-W0001
Supplier Order number	See List Below
Applicable Tag Numbers	
Supplier Drawing Number	3130C
Supplier Rev Number	C
Document Title	PCR-5KA-ENCL TC

**BECHTEL** 25472-101-V1A-EQ00-W0002  
02

**Supplier Document Status**  
**Code 1**

Code 1 = Work may proceed, submit certified print.  
Code 2 = Revise and resubmit. Work may proceed subject to resolution of indicated comments  
Code 3 = Revise and resubmit. Work may not proceed.  
Code 4 = Review not required. Work may proceed.

Permission to proceed does not constitute acceptance or approval of design details, calculations, analyses, test methods, or materials developed or selected by the Supplier and does not relieve the Supplier from full compliance with contractual obligations.

Responsible Engineer - **Srinivasan, Saradha**  
Date Signed - 27-Jan-2014  
VPTL - VPTL-32242  
Equipment No. - 122-LKSDE-B0-PCR-0101



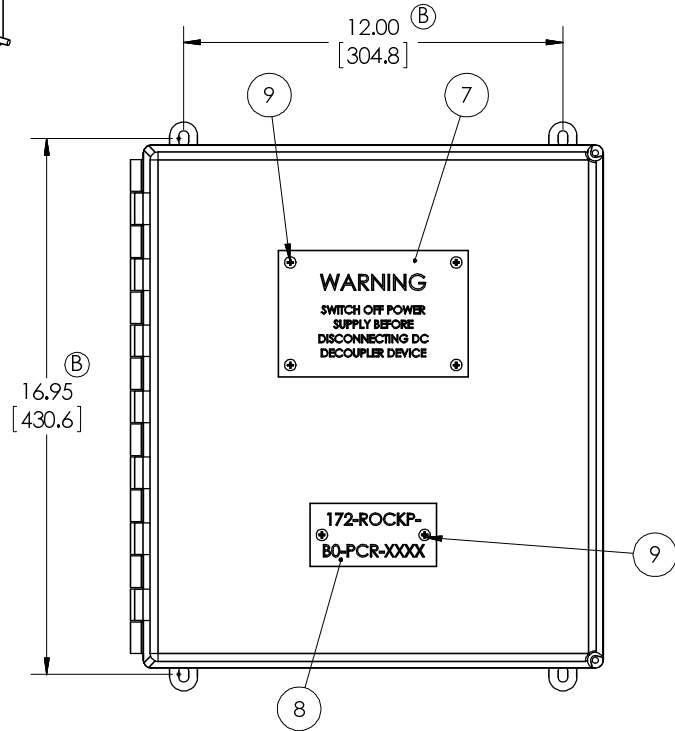
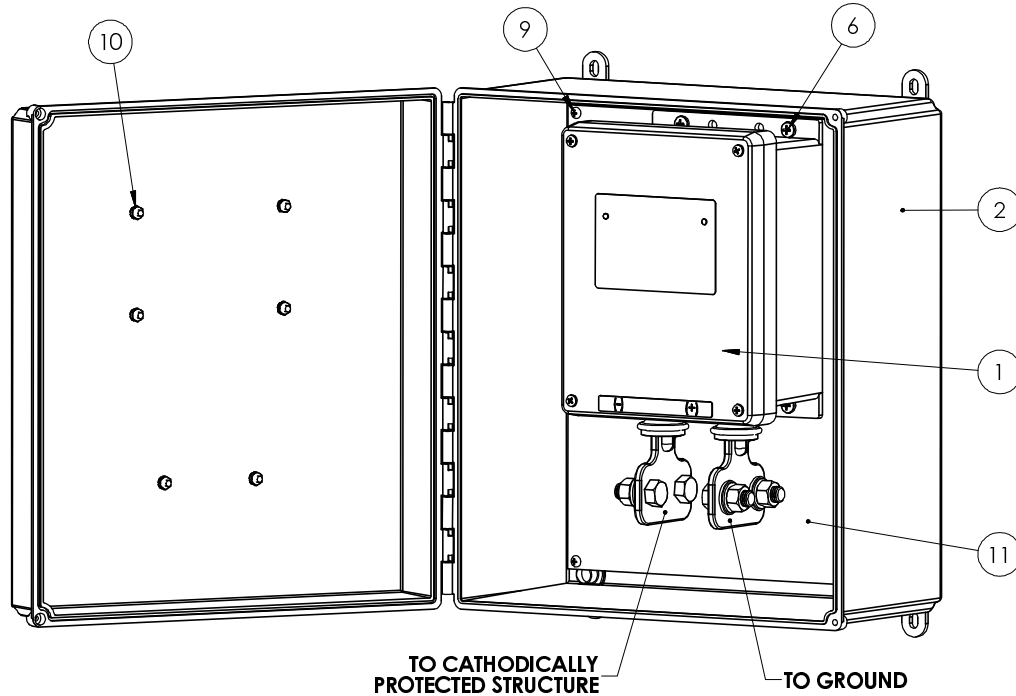
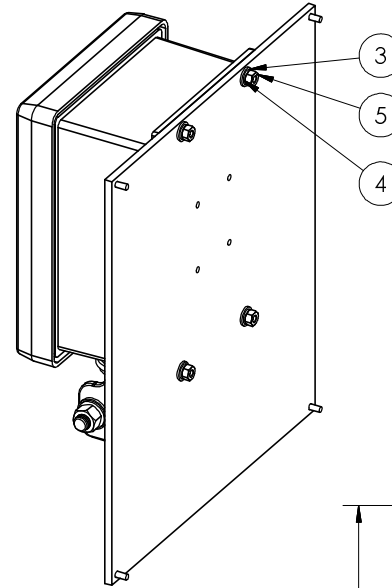
122-LKSDE-B0-PCR-0101  
122-LKSDE-B0-PCR-0102  
122-LKSDE-B0-PCR-0205  
123-MTRSP-B0-PCR-0101  
123-MTRSP-B0-PCR-0102  
123-MTRSP-B0-PCR-0205  
124-OYENS-B0-PCR-0101  
124-OYENS-B0-PCR-0102  
124-OYENS-B0-PCR-0205  
126-FXVLY-B0-PCR-0101  
126-FXVLY-B0-PCR-0102  
126-FXVLY-B0-PCR-0205  
127-PIAPT-B0-PCR-0101  
127-PIAPT-B0-PCR-0102  
127-PIAPT-B0-PCR-0205  
122-LKSDE-B0-PCR-0007  
122-LKSDE-B0-PCR-0008  
123-MTRSP-B0-PCR-0007  
123-MTRSP-B0-PCR-0008  
124-OYENS-B0-PCR-0007  
124-OYENS-B0-PCR-0008  
126-FXVLY-B0-PCR-0007  
126-FXVLY-B0-PCR-0008  
127-PIAPT-B0-PCR-0007  
127-PIAPT-B0-PCR-0008  
240-HRDBP-01A-B0-PCR-01

240-HRDBP-01A-B0-PCR-02  
240-HRDBP-01A-B0-PCR-03  
240-LKSDE-01A-B0-PCR-01  
240-LKSDE-01A-B0-PCR-02  
240-LKSDE-01A-B0-PCR-03  
240-LKSDE-02A-B0-PCR-01  
240-LKSDE-02A-B0-PCR-02  
240-LKSDE-02A-B0-PCR-03  
240-MTRSP-01A-B0-PCR-01  
240-MTRSP-01A-B0-PCR-02  
240-MTRSP-01A-B0-PCR-03  
240-OYENS-01A-B0-PCR-01  
240-OYENS-01A-B0-PCR-02  
240-OYENS-01A-B0-PCR-03  
240-OYENS-02A-B0-PCR-01  
240-OYENS-02A-B0-PCR-02  
240-OYENS-02A-B0-PCR-03  
240-OYENS-03A-B0-PCR-01  
240-OYENS-03A-B0-PCR-02  
240-OYENS-03A-B0-PCR-03  
240-BDLSS-01A-B0-PCR-01  
240-BDLSS-01A-B0-PCR-02  
240-BDLSS-01A-B0-PCR-03  
240-BDLSS-04A-B0-PCR-01  
240-BDLSS-04A-B0-PCR-02  
240-BDLSS-04A-B0-PCR-03  
240-FXVLY-01A-B0-PCR-01

240-FXVLY-01A-B0-PCR-02  
240-FXVLY-01A-B0-PCR-03  
240-FXVLY-03A-B0-PCR-01  
240-FXVLY-03A-B0-PCR-02  
240-FXVLY-03A-B0-PCR-03  
240-PIAPT-02A-B0-PCR-01  
240-PIAPT-02A-B0-PCR-02  
240-PIAPT-02A-B0-PCR-03  
240-PIAPT-03A-B0-PCR-01  
240-PIAPT-03A-B0-PCR-02  
240-PIAPT-03A-B0-PCR-03  
240-PIAPT-04A-B0-PCR-01  
240-PIAPT-04A-B0-PCR-02  
240-PIAPT-04A-B0-PCR-03  
240-GRSSY-01A-B0-PCR-01  
240-GRSSY-01A-B0-PCR-02  
240-GRSSY-01A-B0-PCR-03  
240-GRSSY-03A-B0-PCR-01  
240-GRSSY-03A-B0-PCR-02  
240-GRSSY-03A-B0-PCR-03  
240-GRSSY-04A-B0-PCR-01  
240-GRSSY-04A-B0-PCR-02  
240-GRSSY-04A-B0-PCR-03

LINE NO.	DOCUMENT NUMBER	DESCRIPTION	QTY.
1	2692-1	PCR-5KA (S)	1
2	3144	Enclosure Fiberglass 16"Hx14"Wx8"D NEMA 4X	1
3	1013	Washer Flat 1/4"	4
4	1014	Washer Split Lock 1/4"	4
5	1015	Nut Hex 1/4-20	4
6	1017	Screw Pan Head PH 1/4-20x0.750"	4
7	3143	LABEL Type 23 TC	1
8	3141	LABEL Type 21 TC	1
9	3107	Screw RH PH 10-32x5/8"	10
10	1566	Nut Keps 10-32	6
11	3105	Panel Insulating Enclosure TC	1

REVISIONS			
REV	DESCRIPTION	DATE	APPROVED
B	ADDED DIMENSIONS	2013-05-14	HNT
C	REPLACED SCREW #1358 WITH #3107 (4X)	2013-06-28	HNT



ANSI Y14.5A 1994 APPLIES  
 UNLESS NOTED  
 UNITS: INCHES  
 3-PLACE: ±.005  
 2-PLACE: ±.015  
 1-PLACE / FRAC: ±.03  
 ANGULAR: ±1



DESCRIPTION			
PCR-5KA-ENCL-TC			
DOCUMENT #	REV	DATE DRAWN	DWG SIZE
3130	C	2013-01-25	B
SCALE 1:4		DRAWN: JPW	SHEET: 1 OF 1
DATE APPROVAL		DWG APPROVAL: HNT	
2013-01-26			