



BUYER Name	Transcanada Keystone Pipeline, LP
Bechtel Client Name	Transcanada
Project Title	KXL Pipeline
Bechtel Project Number	225472
Bechtel Document Number	25472-101-V1A-EQ00-W0006
Project Location	Steele City Canada
Bechtel PO Number	25472-101-POA-EQ00-W0001
Supplier Order number	
Applicable Tag Numbers	See List Below
Supplier Drawing Number	100019D
Supplier Rev Number	D
Document Title	SSD Post Mounted to a Pipe

- 121-HRDBP-B0-SSD-0002
- 125-BDLSS-B0-SSD-0001
- 125-BDLSS-B0-SSD-0002
- 128-GRSSY-B0-SSD-0001
- 128-GRSSY-B0-SSD-0002



25472-101-V1A-EQ00-W0006

03

Supplier Document Status

Code 1

Code 1 = Work may proceed, submit certified print.
Code 2 = Revise and resubmit. Work may proceed subject to resolution of indicated comments
Code 3 = Revise and resubmit. Work may not proceed.
Code 4 = Review not required. Work may proceed.

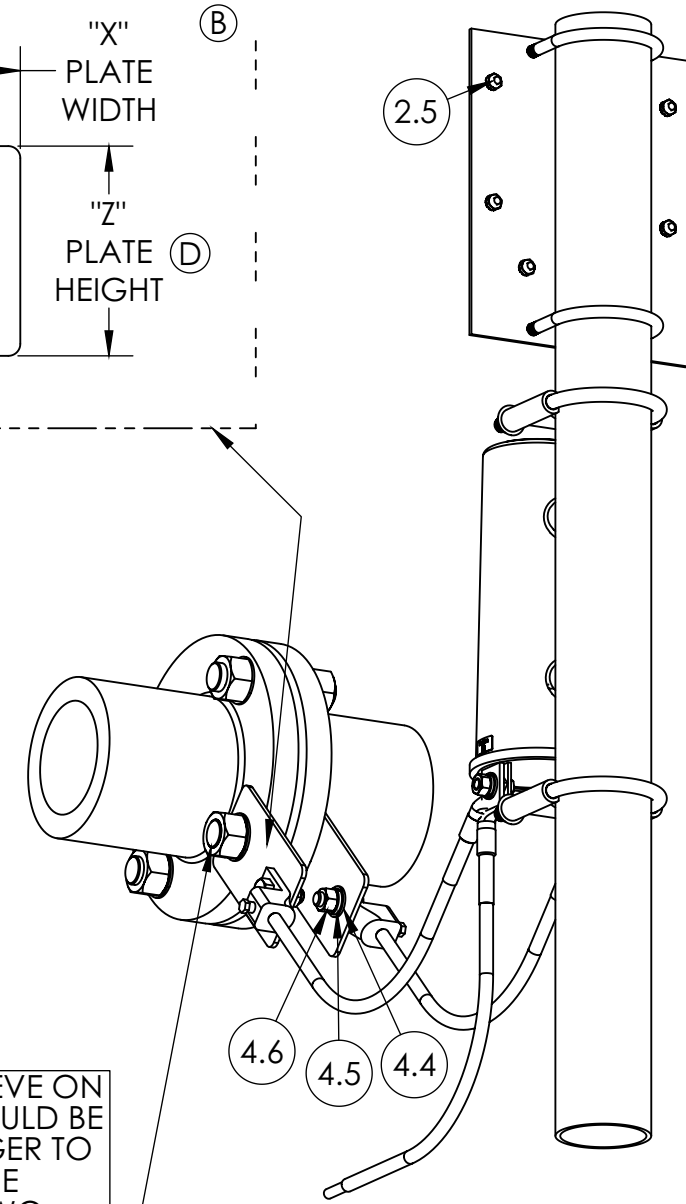
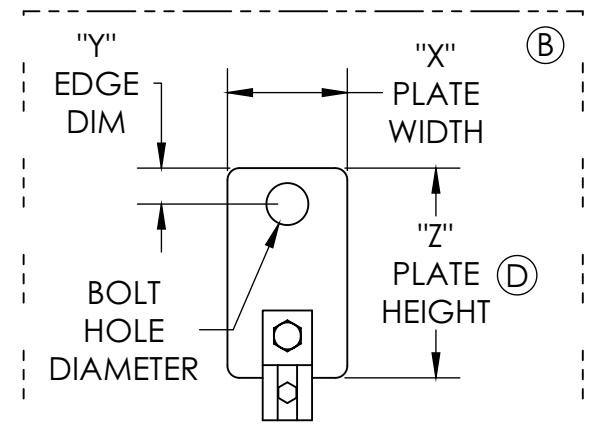
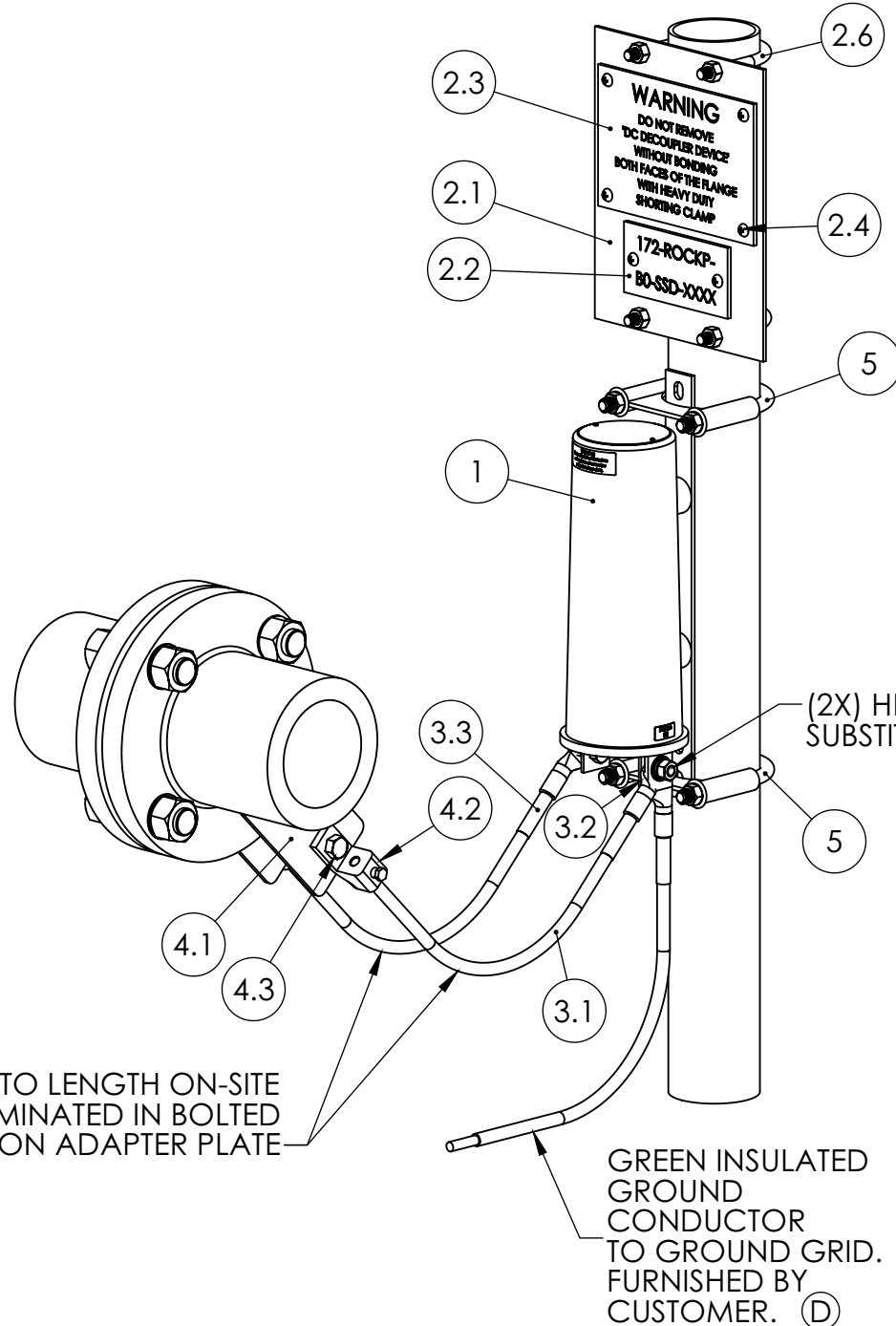
Permission to proceed does not constitute acceptance or approval of design details, calculations, analyses, test methods, or materials developed or selected by the Supplier and does not relieve the Supplier from full compliance with contractual obligations.

Responsible Engineer - Medina_Francisco
Date Signed - 11/25/2014
VPTL -

Equipment No. - 121-HRDBP-B0-SSD-0002,125-BDLSS-SSD-0001,125-BDLSS-SSD-0002,128-GRSSY-SSD-0001,128-GRSSY-SSD-0002

BILL-OF-MATERIAL (BOM) TABLE			
LINE NO.	DOCUMENT NUMBER	DESCRIPTION	QTY.
1	3311	SSD-3/1-5.0-100-R	1
2	3133	PMK2-TC3 Pipe Mount Brkt w Labels 19 & 22 SSD	1
2.1	3148	Backplate Label TC2-3	1
2.2	3142	LABEL Type 22 TC	1
2.3	3139	LABEL Type 19 TC	1
2.4	1358	Screw RH PH 10-32x1/2"	6
2.5	1566	Nut Keps 10-32	6
2.6	3157	U-Bolt 5/16-18 2" Pipe	2
3	3096	MTL-2FLEX-36-C516	2
3.1	2762	Wire #2 DLO Flex HW25400201	1
3.2	2764	Terminal #2 Compression 1H Hole 5/16"	1
3.3	1292	Heat Shrink UL224 3/4"	1
4	3097	AP-0.75-B2FLEX	2
4.1	1294	Bracket Adapter Plate P1-P3 Plated	1
4.2	2946	Terminal Bolted 2/0 1H Hole 3/8" HL-13-1	1
4.3	1557	Screw Hex 3/8-16x1"	1
4.4	1010	Washer Flat 3/8	1
4.5	1055	Washer Split Lock 3/8"	1
4.6	1054	Nut Hex 3/8-16	1
5	3094	Bolt Clamping U	2

REVISIONS			
REV	DESCRIPTION	DATE	APPROVED
B	ADD NOTE INSULATING SLEEVE, INCLUDED DOCUMENT # IN ITEM 1 (BOM), ADD TABLE WITH X, Y AND DIA DIM AND DIM VIEW FOR MOUNTING BRACKET, ASSEMBLY 3133 HAS REPLACEMENT PART - LINE NO: 2.3 WAS DOC #: 3143, ASSEMBLY 3097 HAS REPLACEMENT PART - LINE NO: 4.1 WAS DOC #: 1922.	2013-04-30	HNT
C	ADD NOTE SHOWING WHERE LONGER BOLT WILL BE SUBSTITUTED FOR STANDARD BOLT	2013-06-05	HNT
D	ADDED "HEIGHT" COLUMN, ADDED GROUND CONDUCTOR	2013-07-05	HNT



CABLE CUT TO LENGTH ON-SITE AND TERMINATED IN BOLTED CONNECTOR ON ADAPTER PLATE

GREEN INSULATED GROUND CONDUCTOR TO GROUND GRID. FURNISHED BY CUSTOMER. D

THE INSULATING SLEEVE ON THIS BOLT ONLY SHOULD BE 1/4" (6.35mm) LONGER TO ACCOMMODATE THE THICKNESS OF THE TWO FLANGE BRACKETS B

ITEM #	PIPE DIAMETER (INCHES)	CLASS (LBS)	CATALOG NUMBER	"X" PLATE WIDTH (INCHES)	"Y" DIM FROM PLATE EDGE (INCHES)	"Z" DIM PLATE HEIGHT (INCHES)	BOLT HOLE DIAMETER (INCHES)
1	3 OR 4	150	AP-0.75-B2FLEX	2.50	0.75	4.38	0.75

ANSI Y14.5M 1994 APPLIES
UNLESS NOTED UNITS: INCHES
3-PLACE: ±.005
2-PLACE: ±.015
1-PLACE / FRAC: ±.03
ANGULAR: ±1



DESCRIPTION				
SSD Post Mounted to a Pipe				
DOCUMENT #	REV	DATE DRAWN	DWG SIZE	DATE APPROVAL
100019	D	2013-01-23	B	2013-01-24
SCALE 1:5	DRAWN: JPW	SHEET: 1 OF 1	DWG APPROVAL: HNT	