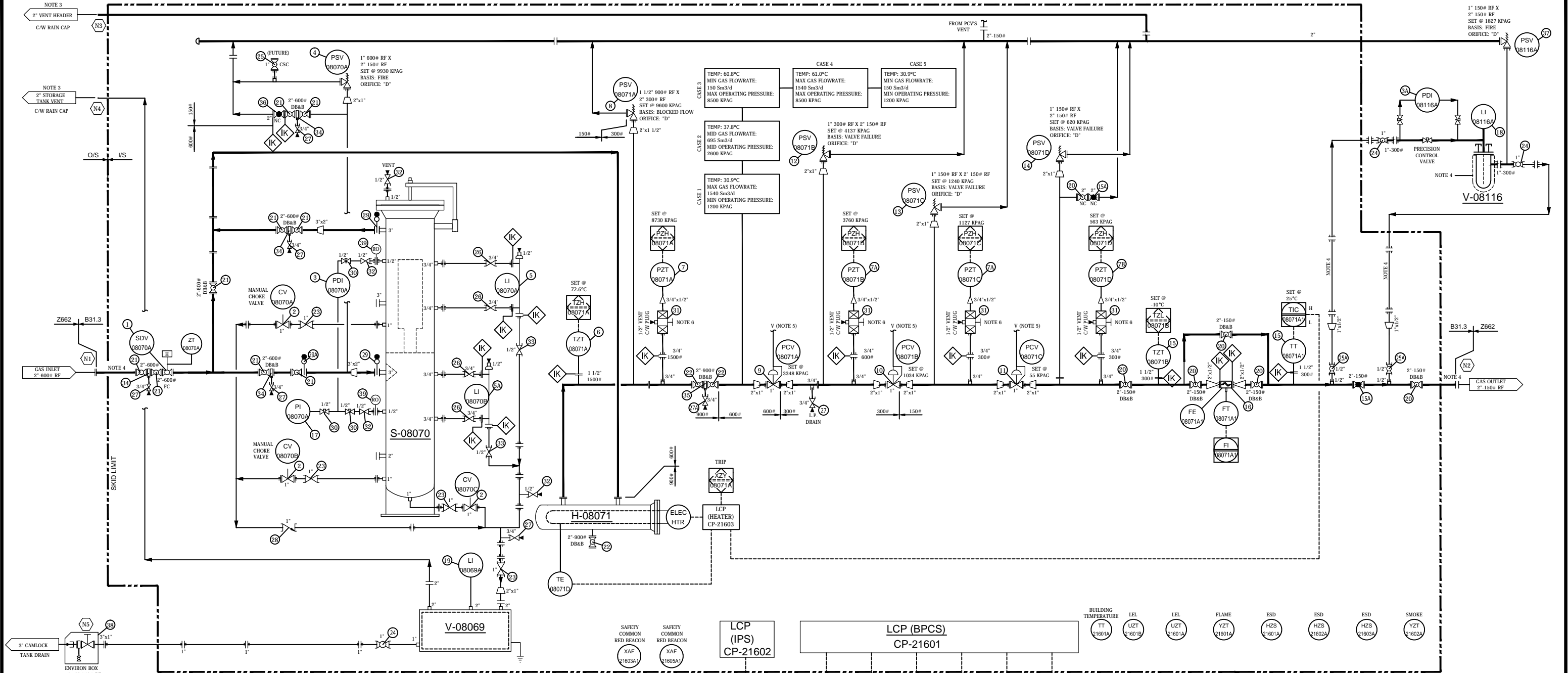


S-08070	H-08071	V-08069	V-08116
COALESCER FILTER	NATURAL GAS ELECTRIC HEATER	CONDENSATE STORAGE TANK	MERCAPTAN GAS ODORIZER
MAKE: JONELL	MAKE: EX HEAT	MAKE: STEELCRAFT	MAKE: TANSLEY ASSOCIATES
MODEL: JPMG-336-CE-R	RATED HEAT DUTY: 4.4 KW/600V/60HZ/3 PHASE	MODEL: 100 GAL DOUBLE WALL STEEL TANK	MODEL: 3-B
SIZE: 219mm x 2565mm S/S	VESSEL SIZE: 168mm OD x 1694mm LG	SIZE: 711mm OD x 1219mm LG	SIZE: 406mm OD x 762mm LG
DP/DT: 9930 KPAG -45/54°C	DP/DT: 9930 KPAG -45/93°C	DP/DT: ATMOSPHERIC	DP/DT: 2068 KPAG -45/66°C
C.A.: 3.05	CA: 1.6		C.A.: 0
	INSULATION: PERSONNEL PROTECTION ONLY		

SKID LIMIT



**SCHEDULE OF OPENINGS**

CONN	SIZE	RATING	DESCRIPTION
N1	2"	600# RF	PACKAGE INLET
N2	2"	150# RF	PACKAGE OUTLET
N3	2"	-	VENT HEADER (VENT TO ATMOSPHERE)
N4	2"	-	TANK VENT (VENT TO ATMOSPHERE)
N5	3"	CAMLOCK	TANK DRAIN

**GENERAL NOTES:**

- NATPRO SCOPE OF SUPPLY.
- N3, N4 TO BE ROUTED TO SAFE LOCATION. VENT TO ATMOSPHERE.
- ELECTRIC HEAT TRACING & INSULATION AT LEAST 1M INSIDE THE BUILDING SHOULD BE PROVIDED BY OTHERS.
- TO 2" VENT HEADER.
- SS SPOOLS TO BE SS316/L C/W 3/4" XS SCH NIPPLES.
- IK INDICATING ISOLATION KIT
- PIPING HEAT CONSERVATION AFTER ELECTRICAL HEATER BY NPE.

THIS DRAWING IS THE EXCLUSIVE PROPERTY OF NATIONAL PROCESS EQUIPMENT AND SHALL NOT BE REPRODUCED WITHOUT WRITTEN PERMISSION FROM NPE.

REV	DESCRIPTION	DWN	CHK	APP	DATE
0	ISSUED FOR INFORMATION ONLY (PRELIMINARY)				MAY 26/16

P & ID

THIS DRAWING IS THE EXCLUSIVE PROPERTY OF NATIONAL PROCESS EQUIPMENT AND SHALL NOT BE REPRODUCED WITHOUT WRITTEN PERMISSION FROM NPE.

**DXP** | **natpro**  
CANADA

PROJECT NAME: \_\_\_\_\_  
 CUSTOMER: \_\_\_\_\_  
 LOCATION: \_\_\_\_\_  
 TAG: \_\_\_\_\_  
 SLS#: \_\_\_\_\_ QUOTE: \_\_\_\_\_ PO#: \_\_\_\_\_

DWN BY: NSP DATE: MAY 26/16 DWG #: 100  
 CHK BY: PM DATE: MAY 26/16  
 APP BY: PM DATE: MAY 26/16 PAGE: 1 OF 4 CAD: N/A

**BILL OF MATERIALS**

ITEM	QTY	TYPE	DESCRIPTION	MFR.	CUST. TAG#
	1	COALESCER FILTER	MAKE: JONELL MODEL: JPMG-336-CE-R SIZE: 219 x 2565 S/S DP/DT: 9930 KPAG -45/54°C CRN: AB C.A.: 3.05	JONELL	S-08070
	1	NATURAL GAS ELECTRIC HEATER	MAKE: EX HEAT RATED HEAT DUTY: 4.4 KW/600V/60HZ/3 PHASE VESSEL SIZE: 168mm OD x 1694mm LG MAWP: 9930 KPAG -45/93°C CRN: AB CA: 1.6mm INSULATION: PERSONNEL PROTECTION ONLY	EX HEAT	H-08071
	1	CONDENSATE STORAGE TANK	MAKE: STEELCRAFT MODEL: 100 GAL DOUBLE WALL STEEL TANK SIZE: 711 OD x 1219 LG DP/DT: ATMOSPHERIC	STEELCRAFT	V-08069
	1	MERCAPTAN GAS ODORIZER	MAKE: TANSLEY ASSOCIATES MODEL: 3-B SIZE: 406 OD x 762 LG DP/DT: 700 KPAG -45/50°C C.A.: 0	TANSLEY ASSOCIATES	V-08116
1	1	EMERGENCY SHUT DOWN VALVE	JAG BALL VALVE, 2" CL600 RF FULL PORT, JAG FIG TB3-F20R06LH-S1, TRUNNION MOUNTED, SA350 LF2 BODY, LF2/CS ENP BALL & STEM, RPTFE SEATS, HNBR SEALS, CSA Z245-15; C/W ROTORK FIG# EH-060-045H/C2 SELF CONTAINED ELECTRO-HYDRAULIC ACTUATOR, FAIL CLOSED, 24VDC POWER SUPPLY, 24VDC OPEN/CLOSE CONTROL VOLTAGE, AMBIENT TEMPERATURE RATING -30C	JAG/ROTORK	SDV-08070A ZT-08070A
2	3	CHOKE VALVE	WILLIS MC10A INLINE CHOKE, 1" CL600 RF INLET X OUTLET, 1-0.125" TUNGSTEN CARBIDE DISC TRIM, STYLE C NACE MR01-75 SOUR LOW TEMP, MANUAL OPERATION, STANDARD DIMENSION, A= 11.05"	CAMERON	CV-08070A CV-08070B CV-08070C
3	1	DIFFERENTIAL PRESSURE INDICATOR	MIDWEST MODEL 120-SA-10-00-50 DIFFERENTIAL PRESSURE INDICATOR, 2 1/2" DIAL FACE, 0-50# RANGE DUAL SCALE, LIQUID FILLED, VITON SEALS, MAGNETIC MOVEMENT, 3%-2%-3% ACCURACY, 1/4" FNPT REAR CONNECTIONS, 6000 PSIG MAXIMUM WORKING PRESSURE	WGI	PDI-08070A
3A	1	DIFFERENTIAL PRESSURE INDICATOR	MIDWEST MODEL 120-SA-10-00-05 DIFFERENTIAL PRESSURE INDICATOR, 2 1/2" DIAL FACE, 0-5# RANGE DUAL SCALE, LIQUID FILLED, VITON SEALS, MAGNETIC MOVEMENT, 3%-2%-3% ACCURACY, 1/4" FNPT REAR CONNECTIONS, 6000 PSIG MAXIMUM WORKING PRESSURE	WGI	PDI-08116A
4	1	PRESSURE SAFETY VALVE	1" CL600 RF X 2" CL150 RF FARRIS RELIEF VALVE, SET @ 9930 KPAG, 60F, GAS, FARRIS TYPE 2600 PSV, MODEL# 26DA13-120/LC, "D" ORIFICE (0.110 SQ IN API), CONVENTIONAL DESIGN, TEMPERATURE: -50 DEG F TO 650 DEG F, SCREWED CAP CONSTRUCTION, LCC CS BODY & BONNET; 316 SS DISC & NOZZLE, CHROME ALLOY SPRING, COMPLIES TO NACE MR0175-2002 IN PRIMARY ZONE	FARRIS	PSV-08070A
5	2	MANETIC LEVEL GAUGE	61 FLOAT AND CHAMBER 45106 IN A 2.5" S10 WITH A MINIMUM SG OF 0.61 C MOUNTING STYLE STYLE C - CLOSED TOP ; FLANGED BOTTOM WITH SIDE PC, AB INSTRUMENT RATING 600# ASME B16.5 1 ACCESS FLANGE TYPE RF WELD NECK, E UNIT OF MEASURE ENGLISH (DEFAULT IN INCHES), 01400 MOUNTING DIMENSION 14, S CHAMBER MATERIAL 316/316L (STANDARD), E CONNECTION DESIGN 300# ASME B16.5, 2 CONNECTION SIZE 3/4" RF, AB CONNECTION RATING 600# ASME B16.5, 1 CONNECTION TYPE RF WELD NECK, 1 CONNECTION SCHEDULE S10, S CONNECTION MATERIAL 316/316L (STANDARD), D TOP GAGE DOME CAP, 8 TOP SIZE 1/2", F TOP TYPE COUPLING - FNPT WITH PLUG 3 TOP SCHEDULE 3, B BOTTOM GAGE BLIND FLANGE, 8 BOTTOM SIZE 1/2", A BOTTOM TYPE NPT TAP ONLY WITH PLUG, Z BOTTOM SCHEDULE DEFAULT (SAME SCHEDULE AS CHAMBER), F INDICATOR FLAG 01400 MEASURE RANGE 14.00, Z SCALE UNIT FEET AND INCHES MODEL: LG6 C-3/4 600#-0.610-38C-9931KPAG-356MM-(FS)(WN)	MAGTECH	LI-08070A LI-08070B
6	1	TEMPERATURE INDICATOR TRANSMITTER	ROSEMOUNT 3144P SMART TEMPERATURE TRANSMITTER MODEL# 3144PD1A1K6M5 D1: TRANSMITTER HOUSING TYPE/CONDUIT ENTRY: FIELD MOUNT HOUSING, ALUMINUM, 1/2-14 NPT A: COMMUNICATIONS PROTOCOL: 4-20 MA WITH DIGITAL SIGNAL BASED ON HART PROTOCOL 1: MEASUREMENT TYPE CONFIGURATION: SINGLE SENSOR INPUT K6: PRODUCT CERTIFICATIONS: CSA IS, FISCO DIVISION 2 AND EXPLOSION-PROOF COMBO M5: LCD DISPLAY ROSEMOUNT 0068 TEMPERATURE SENSOR MODEL# 0068N21C30A060F24E6R07 N: SENSOR LEAD WIRE TERMINATION: SENSOR ONLY WITH 6-INCH; TEFLON-INSULATED; 22-GAUGE LEAD WIRES 21: SENSOR TYPE: SPRING-LOADED STYLE C: EXTENSION TYPE MATERIAL: NIPPLE UNION SST 30: EXTENSION LENGTH: 3.0 " (STD) A: THERMOWELL MATERIAL: TYPE 316 SST 060: SENSOR IMMERSION LENGTH: 6.0 F24: FLANGE MOUNT 1 1/2-INCH; CLASS 1500 TAPERED, RAISED FACE E6: CSA EXPLOSION-PROOF APPROVAL R07: FULL PENETRATION WELD	ROSEMOUNT	TZT-08071A / TW-08071A

**PRELIMINARY**

**THIS DRAWING IS THE EXCLUSIVE PROPERTY OF NATIONAL  
PROCESS EQUIPMENT AND SHALL NOT BE REPRODUCED  
WITHOUT WRITTEN PERMISSION FROM NPE.**

THIS DRAWING IS THE EXCLUSIVE PROPERTY OF NATIONAL PROCESS EQUIPMENT AND SHALL NOT BE REPRODUCED WITHOUT WRITTEN PERMISSION FROM NPE.



PROJECT NAME: -			
CUSTOMER: -			
LOCATION: -			
TAG: -			
SLS#: -	QUOTE: -	PO#: -	
DWN BY: NSP	DATE: MAY 26/16	DWG #: 100	
CHK BY: PM	DATE: MAY 26/16		
APP BY: PM	DATE: MAY 26/16	PAGE: 2 OF 4	CAD: N/A


REV	DESCRIPTION	DWN	CHK	APP	DATE
0	ISSUED FOR INFORMATION ONLY (PRELIMINARY)	NSP	PM	PM	MAY 26/16
<b>P &amp; ID</b>					

BILL OF MATERIALS					
ITEM	QTY	TYPE	DESCRIPTION	MFR.	CUST. TAG#
7	1	PRESSURE INDICATOR TRANSMITTER	MODEL# 2088G4S22A1M5K6P1Q4Q8 G: TRANSMITTER TYPE: GAGE, 4: PRESSURE RANGE: -14.7 TO 4,000 PSI, S: OUTPUT: 4-20 MA DC/DIGITAL HART PROTOCOL, 22: MATERIAL OF CONSTRUCTION: 316L SST / SILICONE FILL, A: PROCESS CONNECTION: 1/2-14 NPT FEMALE, 1: CONDUIT THREAD: 1/2-14 NPT M5: LCD DISPLAY, CONFIGURED FOR ENGINEERING UNITS, K6: CSA EXPLOSION-PROOF, DUST IGNITION-PROOF, INTRINSICALLY SAFE P1: HYDROSTATIC TESTING, Q4: CALIBRATION CERTIFICATE Q8: MATERIAL TRACEABILITY PER EN 10204 3.1.B	ROSEMOUNT	PZT-08071A
7A	2	PRESSURE INDICATOR TRANSMITTER	MODEL# 2088G3S22A1M5K6P1Q4Q8 G: TRANSMITTER TYPE: GAGE, 3: PRESSURE RANGE: -14.7 TO 800 PSI S: OUTPUT: 4-20 MA DC/DIGITAL HART PROTOCOL, 22: MATERIAL OF CONSTRUCTION: 316L SST / SILICONE FILL, A: PROCESS CONNECTION: 1/2-14 NPT FEMALE, 1: CONDUIT THREAD: 1/2-14 NPT, M5: LCD DISPLAY, CONFIGURED FOR ENGINEERING UNITS, K6: CSA EXPLOSION-PROOF, DUST IGNITION-PROOF, INTRINSICALLY SAFE, P1: HYDROSTATIC TESTING, Q4: CALIBRATION CERTIFICATE, Q8: MATERIAL TRACEABILITY PER EN 10204 3.1.B	ROSEMOUNT	PZT-08071B PZT-08071C
7B	1	PRESSURE INDICATOR TRANSMITTER	MODEL# 2088G2S22A1M5K6P1Q4Q8 G: TRANSMITTER TYPE: GAGE, 1: PRESSURE RANGE: -14.7 TO 150 PSI S: OUTPUT: 4-20 MA DC/DIGITAL HART PROTOCOL, 22: MATERIAL OF CONSTRUCTION: 316L SST / SILICONE FILL, A: PROCESS CONNECTION: 1/2-14 NPT FEMALE, 1: CONDUIT THREAD: 1/2-14 NPT, M5: LCD DISPLAY, CONFIGURED FOR ENGINEERING UNITS, K6: CSA EXPLOSION-PROOF, DUST IGNITION-PROOF, INTRINSICALLY SAFE, P1: HYDROSTATIC TESTING, Q4: CALIBRATION CERTIFICATE, Q8: MATERIAL TRACEABILITY PER EN 10204 3.1.B	ROSEMOUNT	PZT-08071D
8	1	PRESSURE SAFETY VALVE	1-1/2" CL900 RF X 2" CL300 RF FARRIS RELIEF VALVE SET @ 9600 KPAG, 60F, GAS, FARRIS TYPE 2600 PSV, MODEL# 26DA14-120/LC, "D" ORIFICE (0.110 SQ IN API), CONVENTIONAL DESIGN, TEMPERATURE: -50 DEG F TO 650 DEG F, SCREWED CAP CONSTRUCTION, LCC CS BODY & BONNET; 316 SS DISC & NOZZLE, CHROME ALLOY SPRING, COMPLIES TO NACE MR0175-2002 IN PRIMARY ZONE	FARRIS	PSV-08071A
9	1	PRESSURE REGULATOR VALVE	FISHER 627 PRESSURE REGULATOR, SET @ 3348 KPAG - 1" 600 RF 627H BODY MATERIAL: WCC STEEL - SPRING CASE MATERIAL: STEEL - 3/16" ORIFICE SST NYLON DISK - SPRING RANGE 240-500 PSIG - MAXIMUM INLET PRESSURE: 1500 PSIG - CRN, MTR, HYDROTEST, MANUFACTURE CERT, SET TEST REPORT	FISHER	PCV-08071A
10	1	PRESSURE REGULATOR VALVE	FISHER 627 PRESSURE REGULATOR, SET @ 1034 KPAG - 1" 300 RF 627 BODY MATERIAL: WCC STEEL - SPRING CASE MATERIAL: STEEL - 1/8" ORIFICE SST NYLON DISK - SPRING RANGE 70-150 PSIG - MAXIMUM INLET PRESSURE: 740 PSIG - CRN, MTR, HYDROTEST, MANUFACTURE CERT, SET TEST REPORT	FISHER	PCV-08071B
11	1	PRESSURE REGULATOR VALVE	FISHER 627 PRESSURE REGULATOR, SET @ 55 KPAG - 1" 150 RF 627 BODY MATERIAL: WCC STEEL - SPRING CASE MATERIAL: STEEL - 3/16" ORIFICE SST NYLON DISK - SPRING RANGE 5-20 PSIG - MAXIMUM INLET PRESSURE: 285 PSIG - CRN, MTR, HYDROTEST, MANUFACTURE CERT, SET TEST REPORT	FISHER	PCV-08071C
12	1	PRESSURE SAFETY VALVE	1" CL300 RF X 2" CL150 RF FARRIS RELIEF VALVE, SET @ 4137 KPAG, 60F, GAS, FARRIS TYPE 2600 PSV, MODEL# 26DA12-120/LC, "D" ORIFICE (0.110 SQ IN API), CONVENTIONAL DESIGN, TEMPERATURE: -50 DEG F TO 650 DEG F, SCREWED CAP CONSTRUCTION, LCC CS BODY & BONNET; 316 SS DISC & NOZZLE, CHROME ALLOY SPRING, COMPLIES TO NACE MR0175-2002 IN PRIMARY ZONE	FARRIS	PSV-08071B
13	1	PRESSURE SAFETY VALVE	1" 150 RF X 2" 150 RF FARRIS RELIEF VALVE, SET @ 1240 KPAG, 70C, GAS, FARRIS TYPE 2600 PSV, MODEL# 26DA10-120/LC, D ORIFICE (0.110 SQ IN API), CONVENTIONAL DESIGN, TEMPERATURE: -50 DEG F TO 650 DEG F, SCREWED CAP CONSTRUCTION, LCC CS BODY & BONNET; 316 SS DISC & NOZZLE, CHROME ALLOY SPRING, COMPLIES TO NACE MR0175-2002 IN PRIMARY ZONE	FARRIS	PSV-08071C
14	1	PRESSURE SAFETY VALVE	1" 150 RF X 2" 150 RF FARRIS RELIEF VALVE, SET @ 620 KPAG, 70C, GAS, FARRIS TYPE 2600 PSV, MODEL# 26DA10-120/LC, D ORIFICE (0.110 SQ IN API), CONVENTIONAL DESIGN, TEMPERATURE: -50 DEG F TO 650 DEG F, SCREWED CAP CONSTRUCTION, LCC CS BODY & BONNET; 316 SS DISC & NOZZLE, CHROME ALLOY SPRING, COMPLIES TO NACE MR0175-2002 IN PRIMARY ZONE	FARRIS	PSV-08071D
15	2	TEMPERATURE INDICATOR TRANSMITTER	D1: TRANSMITTER HOUSING TYPE/CONDUIT ENTRY: FIELD MOUNT HOUSING, ALUMINUM, 1/2-4 NPT, A: COMMUNICATIONS PROTOCOL: 4-20 MA WITH DIGITAL SIGNAL BASED ON HART PROTOCOL, 1: MEASUREMENT TYPE CONFIGURATION: SINGLE SENSOR INPUT K6: PRODUCT CERTIFICATIONS: CSA IS, FISCO DIVISION 2 AND EXPLOSION-PROOF COMBO, M5: LCD DISPLAY, Q4: CALIBRATION CERTIFICATE, ROSEMOUNT 0068 TEMPERATURE SENSOR MODEL# 0068N21C30A050F62E6Q4R01Q8R07R25, c/w 1-1/2"300# FLANGE CONNECTION 0068: THIN-FILM PLATINUM RTD SENSOR, N: SENSOR LEAD WIRE TERMINATION: SENSOR ONLY WITH 6-INCH; TEFLON-INSULATED; 22-GAUGE LEAD WIRES, 21: SENSOR TYPE: SPRING-LOADED STYLE C: EXTENSION TYPE MATERIAL: NIPPLE UNION SST, 30: EXTENSION LENGTH: 3.0" (STD), A: THERMOWELL MATERIAL: TYPE 316 SST 050: SENSOR IMMERSION LENGTH: 5.0 F62: FLANGE MOUNT 2-INCH; c/w 1-1/2"300# FLANGE CONNECTION (M). E6: CSA EXPLOSION-PROOF APPROVAL Q4:CALIBRATION CERTIFICATION. R01: EXTERNAL PRESSURE TEST. Q8: MTR R07: FULL PENETRATION WELD. R25: CRN	ROSEMOUNT	TZT-08071B/ TW-08071B TT-08071A1/ TW-08071A1
15A	2	GLOBE VALVE	2" CL150 RF GLOBE VALVE, A352-LF2 CL 1 BODY, A352-LF2 CL 1 BONNET, ASTM A276-410/ATL OVERLAY, SST STEM, API TRIM 12, HF SEAT RING, LO-TEMP NACE, NEWAY GL1RC12-NC	NEWAY	VO104-ELD

PRELIMINARY

THIS DRAWING IS THE EXCLUSIVE PROPERTY OF NATIONAL PROCESS EQUIPMENT AND SHALL NOT BE REPRODUCED WITHOUT WRITTEN PERMISSION FROM NPE.

THIS DRAWING IS THE EXCLUSIVE PROPERTY OF NATIONAL PROCESS EQUIPMENT AND SHALL NOT BE REPRODUCED WITHOUT WRITTEN PERMISSION FROM NPE.



PROJECT NAME: \_  
CUSTOMER: \_  
LOCATION: \_  
TAG: \_  
SLS#: - QUOTE: - PO#: -  
DWN BY: NSP DATE: MAY 26/16 DWG #: 100  
CHK BY: PM DATE: MAY 26/16  
APP BY: PM DATE: MAY 26/16 PAGE: 3 OF 4 CAD: N/A

REV	DESCRIPTION	DWN	CHK	APP	DATE
0	ISSUED FOR INFORMATION ONLY (PRELIMINARY)				MAY 26/16
P & ID					


BILL OF MATERIALS					
ITEM	QTY	TYPE	DESCRIPTION	MFR.	CUST. TAG#
16	1	FLOW INDICATING TRANSMITTER	83F15-EAAS6ANABBA+Z1, PROMASS 83F15, DN15 1/2", CORIOLIS MASS FLOWMETER, ASSIGN CURRENT OUTPUT MASS FLOW CURRENT SPAN 4-20 MA HART, US VALUE 4MA 0.000 LB/MIN, VALUE 20 MA 50.000 LB/MIN, TIME CONSTANT 1.000 S, FAILURE MODE MIN. CURRENT ASSIGN PULSE OUTPUT MASS FLOW, PULSE VALUE (PER PULSE) 0.20000 LB PULSE WIDTH 100.000 MS, OUTPUT SIGNAL PASSIVE - POSITIVE FAILSAFE MODE PULSE OUTPUT FALLBACK VALUE, E MEASURING TUBE MATERIAL: STAINL. STEEL, MAT. CERTIFICATE (CT+WP = CONTAINMENT + WETTED PARTS), AAS PROCESS CONNECTION: CL.150, 316L/1.4404, FLANGE ANSI B16.5, 6 ADDITIONAL TEST, CERTIFICATE: CRN APPROVAL + PRESSURE TEST (TUBE) + TYPE TEST CONTAINMENT) A CALIBRATION: 0.1%, 0.0005G/CC, N APPROVAL: XP FM CL1 DIV.1/CSA CL1 DIV.1, ABCD + ZONE 1, A HOUSING: COMPACT IP67 NEMA4X, ALUMINIUM, B CABLE ENTRY: THREAD NPT 1/2, B POWER SUPPLY; DISPLAY: 20-55VAC / 16-62VDC; WEA, 4-LINE + TOUCH CONTROL, WEA= LANGUAGE, DE=EN+FR+IT+ES+PT+NL, B ADJUSTMENT; SOFTWARE FEATURE: DEFAULT GAS; BASIC VERSION, A OUTPUT; INPUT: 4-20MA SIL HART + FREQUENCY, Z1 >>MARKING: TAGGING (TAG)	ENDRESS HAUSER	FE-08071A1/ FT-08071A1
17	1	PRESSURE INDICATOR	4.5" DIAL WIKA 233.34 PRESSURE INDICATOR, DUAL UNIT, LIQUID FILLED, 1/2" NPT BOTTOM CONNECTION, 0-10,000 KPAG RANGE, NACE, BLOW OUT BACK	WIKA	PI-08070A
18	1	LEVEL GAUGE	TANSLEY ASSOCIATES LEVEL GAUGE, MOUNTED WITH MERCAPTAN NATURAL GAS ODORIZER	TANSLEY ASSOCIATES	LI-08116A
19	1	LEVEL GAUGE	2" NPT KRUEGER AT-A-GLANCE GAUGE (MECHANICAL LIQUID LEVEL GAUGE)	KRUEGER	LI-08069A
20	6	BALL VALVE	2" 150# RF FULL PORT BALL VALVE, TRUNNION MOUNTED, DBB, A350 LF2 CL1 BODY, CARBON STEEL + 3MIL ENP BALL & STEM, HNBR/RTFE SEATS, JAG FIG TB3-F20R01LH-S1-01	JAG	VB114-ELD
21	9	BALL VALVE	2" CL600 RF FULL PORT BALL VALVE, TRUNNION MOUNTED, DBB, A350 LF2 CL1 BODY, CARBON STEEL + 3MIL ENP BALL & STEM, HNBR/RTFE SEATS, JAG FIG PTD3-F20R15LH-S39-01;	JAG	VB614-ELD
22	3	BALL VALVE	2" CL1500 RF FULL PORT BALL VALVE, TRUNNION MOUNTED, A350 LF2 CL1 BODY, CARBON STEEL + 3MIL ENP BALL & STEM, NYLON SEATS, CSA Z245-15, JAG FIG TB3-F20R15LH-S1-01	JAG	VB1524-ELD
23	4	GATE VALVE	1" SW X SW BOLTED BONNET GATE VALVE, CLASS 800, ASTM A350 LF2 CL1 BODY & BONNET MATERIAL, TRIM F316/HF (API TRIM #12), BONNEY FORGE MODEL HL-1L3S-SW, LO TEMP NACE	BONNEY FORGE	VG801-ELD
24	3	BALL VALVE	1" SW X SW FULL PORT BALL VALVE, NACE TO LO TEMP, HN-705-SW(M), LF2, F316L, 3 PC GOST APPROVAL, CL800, (2000 PSI)	BONNEY FORGE	VB2001-ELD
25	1	BALL VALVE	1" CL150 RF FULL PORT BALL VALVE, 2-PIECE BOLTED BODY, A352 LCC BODY, 316 SS BALL, 316 SS STEM, RPTFE SEAT, GRAPHITE PACKING, STARLINE 175-5GS-G, NACE LO TEMP	STARLINE	VB114-ELD
25A	2	BALL VALVE	1/2" SW X SW FULL PORT BALL VALVE, NACE TO LO TEMP, HN-703-SW, LF2, F316L, 3 PC GOST APPROVAL, CL800, (2000 PSI)	BONNEY FORGE	VB2000-ELD
26	4	GATE VALVE	3/4" SW X SW BOLTED BONNET GATE VALVE, CLASS 800, ASTM A350 LF2 CL1 BODY & BONNET MATERIAL, TRIM F316/HF (API TRIM #12), BONNEY FORGE MODEL HL-1L3S-SW, LO TEMP NACE	BONNEY FORGE	VG801-ELD
27	6	GATE VALVE	3/4" SW X NPT BOLTED BONNET GATE VALVE, CLASS 800, ASTM A350 LF2 CL1 BODY & BONNET MATERIAL, TRIM F316/HF (API TRIM #12), BONNEY FORGE MODEL HL-1L3S-SW-T, LO TEMP NACE	BONNEY FORGE	VG803-ELD
27A	1	GATE VALVE	3/4" SW X NPT BOLTED BONNET GATE VALVE, CLASS 1500, ASTM A350 LF2 CL1 BODY & BONNET MATERIAL, TRIM F316/HF (API TRIM #12), BONNEY FORGE MODEL HL-1L3S-SW-T, LO TEMP NACE	BONNEY FORGE	VG1503-ELD
28	1	CHECK VALVE	1" SW X SW PISTON CHECK VALVE, CLASS 800, ASTM A350 LF2 CL1 BODY/BONNET MATERIAL, TRIM F316/HF (API TRIM #12), BONNEY FORGE MODEL HL-4L3S-SW, LO TEMP NACE	BONNEY FORGE	VC841-ELD
29	2	SPECTACLE BLIND	3" CL600 RF SPECTACLE BLIND, SA-516-70N, (1/2" THK), B16.48	R10-TEK	
29A	1	SPECTACLE BLIND	2" CL600 RF SPECTACLE BLIND, SA-516-70N, (3/8" THK), B16.48	R10-TEK	
30	3	NEEDLE VALVE	1/2" MNPT X FNPT NEEDLE VALVE, HARD SEAT, SS BODY MATERIALS, SS BONNET, SS STEM, TEFLON PACKING, 6000 CWP, CENTURY CM2-1-M44T-DN-T	CENTURY	VN6019-ELD
31	4	MONOFLANGE 3-VALVE MANIFOLD	MODEL# PARKER HPM6LS3DBBB-MD4-14299EHXJ TYPE: HI-PRO MANIFOLD (10MM BORE) VALVE CONFIGURATIONS: 3-VALVE- DOUBLE BLOCK & BLEED (BALL-BALL-BALL) BODY MATERIAL: 316 STAINLESS STEEL INLET: 3/4" NB SOCKET WELD SCH XS EXTENDED 4" OUTLET: 3/4" NPT FEMALE WITH 5MM BORE ORIFICE RESTRICTION VENT: 1/2" FNPT FEMALE WITH 5MM BORE ORIFICE RESTRICTION PRESSURE: 6000 PSI VALVE PACKING: GRAPHITE SEATING: PTFE	PARKER	
32	4	GATE VALVE	1/2" SW X NPT BOLTED BONNET GATE VALVE, CLASS 800, ASTM A350 LF2 CL1 BODY & BONNET MATERIAL, TRIM F316/HF (API TRIM #12), BONNEY FORGE MODEL HL-1L3S-T-05 (M TO SW), LO TEMP NACE	BONNEY FORGE	VG803-ELD
33	2	GATE VALVE	1/2" SW BOLTED BONNET GATE VALVE, CLASS 800, ASTM A350 LF2 CL1 BODY & BONNET MATERIAL, TRIM F316/HF (API TRIM #12), BONNEY FORGE MODEL HL-1L3S-T, LO TEMP NACE	BONNEY FORGE	VG801-ELD
34	4	BLEED RING	2" BLEED RING, 600LB RF C/W 3/4" DRILL SW, 316LSS (1 1/2" THK)	R10-TEK	
35	1	BLEED RING	2" BLEED RING, 900LB RF C/W 3/4" DRILL SW, 316LSS (1 1/2" THK)	R10-TEK	
36	1	GLOBE VALVE	2" CL600 RF GLOBE VALVE, CF8M BODY, CF8M BONNET & DISC, 316 STEM, CF8M + STL. 6 SEAT RING, GRAPHITE+GRPAHITE WITH INCONEL PACKING, PK MODEL 02-601RF125H GRF	PK	
37	1	PRESSURE SAFETY VALVE	1" 150 RF X 2" 150 RF, FARRIS RELIEF VALVE, MODEL# 26DA10-120/LC, SET @ 1827 KPAG, D ORIFICE (0.110 SQ IN API), CONVENTIONAL DESIGN, TEMPERATURE: -50 DEG F TO 650 DEG F, SCREWED CAP CONSTRUCTION, LCC CS BODY & BONNET; 316 SS DISC & NOZZLE CHROME ALLOY, COMPLIES TO NACE MR0175-2002 IN PRIMARY ZONE MTR, CRN, HYDROTEST, SET TESTREPO	FARRIS	PSV-08116A
38	1	ENVIRO BOX	ENVIRO BOX, c/w 3" 150# GATE VALVE, 3" CAMLOCK, DUST CAP WITH CHAIN	STADCO INDUSTRIES	
39	2	ORIFACE PLATE	1/2" CLASS 600#, ORIFICE PLATE, c/w 5mm HOLE	RIO-TEK	

ADDITIONAL BILL OF MATERIAL					
	QTY	TYPE	DESCRIPTION	MFR.	CUST.TAG
	1	TEMPERATURE TRANSMITTER	SMART TEMPERATURE TRANSMITTER, MODEL# 3144PD1A1K6B5M5T1CNQ4HR7XAK1005 C/W TEMPERATURE SENSOR, MODEL# 0068N11N00N030E6X8Q4XA	ROSEMOUNT	TT-21601A
	2	GAS DETECTOR	INFRARED HYDROCARBON GAS DETECTOR, POINTWATCH ECLIPSE CERTIFIED, MODEL PIRECL/UD10	DET-TRONICS	UZT-21601A/B
	1	FLAME DETECTOR	MULTISPECTRUM IR FLAME DETECTOR, MODEL X3301A4N13W1	DET-TRONICS	YZT-21601A
	2	ESD BUTTON	ESD BUTTON, ASSEMBLED CONTROL STATION MODEL GHG43, C/W PUSH BUTTON SGT-55-1-2-06	CROUSE-HINDS	HZS-21601A/2A
	1	ESD BUTTON	ESD BUTTON, STANDARD MUSHROOM HEAD ACTUATOR, RED LENS COLOR, MODEL 800T-FX6D4	ALLEN BRADLEY	HZS-21603A
	1	SMOKE DETECTOR	4 WIRE PHOTOELECTRIC SYSTEM SMOKE DETECTOR, MODEL 8240PY, PART# 908-1208-002	GENTEX	YZT-21602A
	1	TEMPERATURE ELEMENT	RTD (DUPLICATE) 6mm DIA. 2000 mm LONG PT100 BSEN 60751 : 1996 CLASS B (MINERAL INSULATED) STAINLESS STEEL GRADE 3163 WIRE. TAILS 1MTR LONG.	EX-HEAT	TE-08071D
	1	HORN	LOUDSPEAKER, SELECTONE HAZARDOUS LOCATION AUDIBLE SIGNALLING DEVICE MODEL 302GCX	FEDERAL SIGNAL	XAF-21601A
	2	STROBE	FLASHING LED HAZARDOUS LOCATION WARNING LIGHT WITH XLT™, MODEL 191XL-S024R	FEDERAL SIGNAL	XAF-21603A1/A2
	2	STROBE	FLASHING LED HAZARDOUS LOCATION WARNING LIGHT WITH XLT™, MODEL 191XL-S024R	FEDERAL SIGNAL	XAF-21605A1/A2
	1	GAS ROOM HEATER	GE FORCED AIR HEATER REGULAR DUTY 10 KW, MODEL GE108CT	CALORITECH	H-08167
	1	ELECTRICAL ROOM HEATER	EXPLOSION-PROOF ELECTRIC AIR HEATER FOR HAZARDOUS LOCATIONS, 25 KW, MODEL XEU1-20-250-600360	HAZLOC	H-08170

PRELIMINARY

THIS DRAWING IS THE EXCLUSIVE PROPERTY OF NATIONAL PROCESS EQUIPMENT AND SHALL NOT BE REPRODUCED WITHOUT WRITTEN PERMISSION FROM NPE.

THIS DRAWING IS THE EXCLUSIVE PROPERTY OF NATIONAL PROCESS EQUIPMENT AND SHALL NOT BE REPRODUCED WITHOUT WRITTEN PERMISSION FROM NPE.



PROJECT NAME: \_

CUSTOMER: \_

LOCATION: \_

TAG: \_

ISSUED FOR INFORMATION ONLY (PRELIMINARY) NSP PM PM MAY 26/16

REV DESCRIPTION DWN CHK APP DATE

SLS#: - QUOTE: - PO#: -

DWN BY: NSP DATE: MAY 26/16 DWG #: 100

CHK BY: PM DATE: MAY 26/16

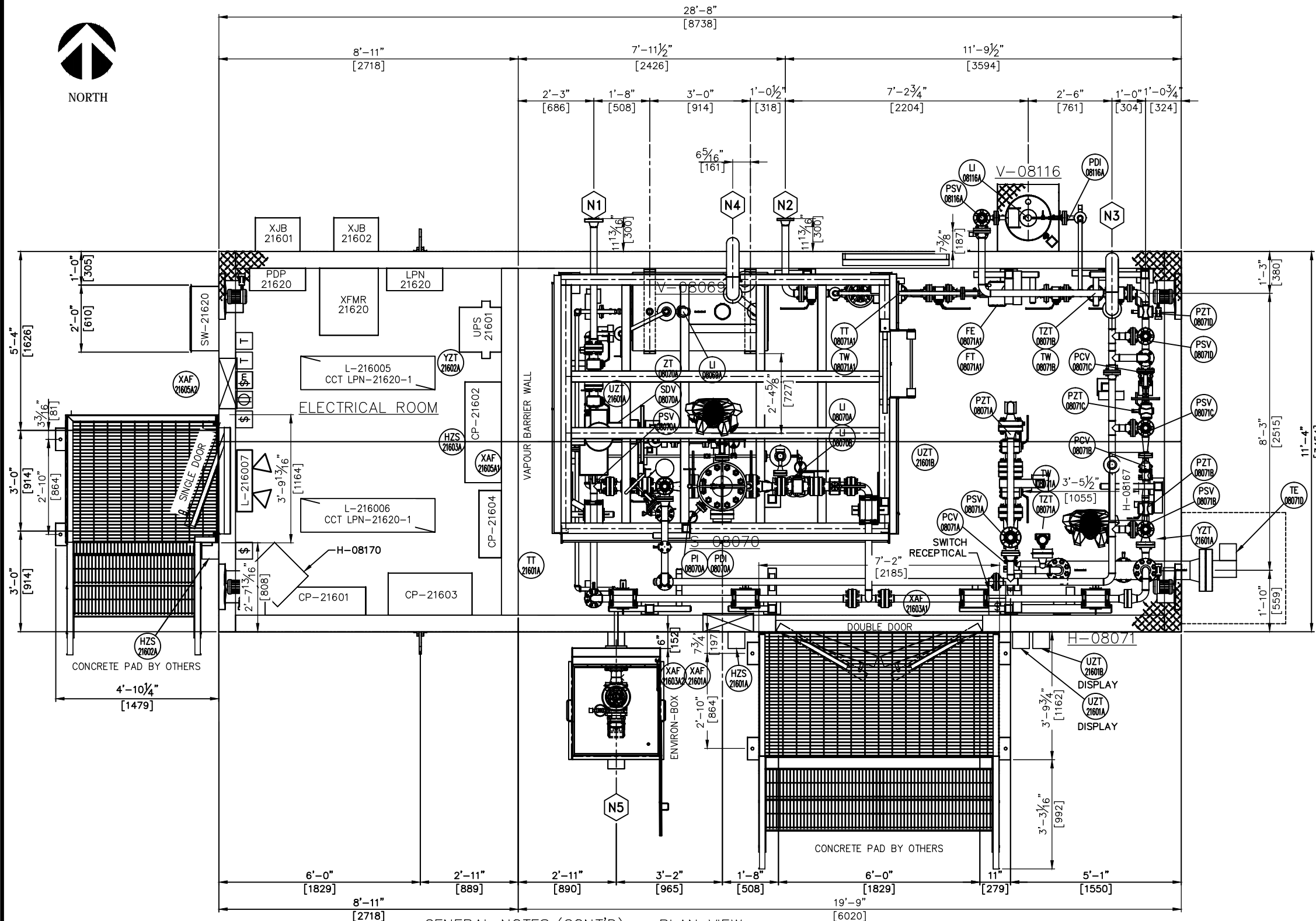
APP BY: PM DATE: MAY 26/16 PAGE: 4 OF 4 CAD: N/A

P & ID				
--------	--	--	--	--





NORTH



GENERAL NOTES:

- THIS DRAWING TO BE READ IN CONJUNCTION WITH THE PROCESS ENGINEERING FLOW.
- ALL PIPING ELEVATIONS ARE REFERENCE FROM TOP OF CHECKERED PLATE.
- FABRICATION TOLERANCE  $\pm 5\text{mm}$  FOR SKID EDGE CONNECTION LOCATION UNLESS NOTED OTHERWISE.
- ALL PIPING TO BE HELD TO DIMENSIONS & ELEVATIONS SHOWN FOR CUSTOMER TIE-INS.
- MAIN PIPING TO BE BUILT IN ACCORDANCE WITH THE LATEST EDITION OF B31.3.
- ALL PIPING PER B31.3 TO BE:
  - PIPING CLASS 'D900/LT', 1.0" C.A.  
900 ANSI: 2" SCH 80  
MATERIALS: PIPING - SA-333-6  
FLANGES - SA-350-LF2 CL. 1  
FITTINGS - SA-420-WPL6  
BOLTS - SA-320-L7  
NUTS - SA-194-2H  
GASKETS - 304SS SPIRAL WOUND, GRAPHITE FILLED, 304SS INNER RING, CS OR SS OUTER RING
  - PIPING CLASS 'C600/LT', 1.0" C.A.  
600 ANSI: 2" SCH 80; 3" SCH 40  
MATERIALS: PIPING - SA-333-6  
FLANGES - SA-350-LF2 CL. 1  
FITTINGS - SA-420-WPL6  
BOLTS - SA-320-L7  
NUTS - SA-194-2H  
GASKETS - 304SS SPIRAL WOUND, GRAPHITE FILLED, 304SS INNER RING, CS OR SS OUTER RING
  - PIPING CLASS 'B300/LT', 1.0" C.A.  
300 ANSI: 2" SCH 80  
MATERIALS: PIPING - SA-333-6  
FLANGES - SA-350-LF2 CL. 1  
FITTINGS - SA-420-WPL6  
BOLTS - SA-320-L7  
NUTS - SA-194-2H  
GASKETS - 304SS SPIRAL WOUND, GRAPHITE FILLED, 304SS INNER RING, CS OR SS OUTER RING
  - PIPING CLASS 'A150/LT', 1.0" C.A.  
150 ANSI: 2" SCH 80  
MATERIALS: PIPING - SA-333-6  
FLANGES - SA-350-LF2 CL. 1  
FITTINGS - SA-420-WPL6  
BOLTS - SA-320-L7  
NUTS - SA-194-2H  
GASKETS - 304SS SPIRAL WOUND, GRAPHITE FILLED, 304SS INNER RING, CS OR SS OUTER RING
- CLASS 900 ANSI: SW PIPING & NIPPLES, CLASS 'D900/LT'  
3/4" - 1 1/2" PIPE: SCH. 80 SA-333-6  
3/4" - 1 1/2" NIPPLE: SCH. 160, SA-333-6  
3/4" - 1 1/2" SWAGE: SCH. 80, SA-420-WPL6  
3/4" - 1 1/2" FITTING: 3000#, SA-350-LF2 CL. 1
- CLASS 600 ANSI: SW PIPING & NIPPLES, CLASS 'C600/LT'  
3/4" - 1 1/2" PIPE: SCH. 80 SA-333-6  
3/4" - 1 1/2" NIPPLE: SCH. 160, SA-333-6  
3/4" - 1 1/2" SWAGE: SCH. 80, SA-420-WPL6  
3/4" - 1 1/2" FITTING: 3000#, SA-350-LF2 CL. 1
- CLASS 300 ANSI: SW PIPING & NIPPLES, CLASS 'B300/LT'  
3/4" - 1 1/2" PIPE: SCH. 80 SA-333-6  
3/4" - 1 1/2" NIPPLE: SCH. 160, SA-333-6  
3/4" - 1 1/2" SWAGE: SCH. 80, SA-420-WPL6  
3/4" - 1 1/2" FITTING: 3000#, SA-350-LF2 CL. 1
- CLASS 150 ANSI: SW PIPING & NIPPLES, CLASS 'A150/LT'  
3/4" - 1 1/2" PIPE: SCH. 80 SA-333-6  
3/4" - 1 1/2" NIPPLE: SCH. 160, SA-333-6  
3/4" - 1 1/2" SWAGE: SCH. 80, SA-420-WPL6  
3/4" - 1 1/2" FITTING: 3000#, SA-350-LF2 CL. 1
- BUILDING  
- DIM.: 28'-8" L X 11'-4" W X 13'-2" EAVE HEIGHT, GABLE TYPE WITH 4:12 SLOPE  
MATERIAL - WALLS: 22GA PRE-PAINTED (TAN: 5MQC8315)  
ROOF/DOOR/TRIMS: 22GA PRE-PAINTED (METRO BROWN: 5MQC8228)  
INSULATION (FIBERGLASS BATT) - WALL: R22 (6" THICK)  
ROOF: R22 (6" THICK)  
INTERIOR LINER: 24GA WHITE ALUMINUM  
VAPOR BARRIER: 6-mil POLYETHYLENE (CERTIFIED)  
(1) - 3'-0" X 7'-0" DOOR HIGH, 20GA R12 INSULATED POLYURETHANE CORE C/W 16GA SINGLE DOOR FRAME, LOCKING PANIC HARDWARE, HYDRAULIC CLOSURE, 24"x24" IWG WINDOW, CHECK CHAIN, ALUMINUM THRESHOLD, CANOPY, AND WEATHER-STRIPPING (ELECTRICAL ROOM)  
(1) - 3'-0" X 7'-0" DOOR HIGH, 20GA R12 INSULATED POLYURETHANE CORE C/W 18GA SINGLE DOOR FRAME, LOCKING PANIC HARDWARE, HYDRAULIC CLOSURE, 24"x24" IWG WINDOW, CHECK CHAIN, ALUMINUM THRESHOLD, CANOPY, AND WEATHER-STRIPPING (PROCESS ROOM)  
(1) - 40" X 40" DOUBLE GLAZED SLIDING WINDOWS W/ HALF SCREEN & LOCK  
(1) - 12" EXPLOSION PROOF SUPPLY FAN (120V/1 PH/60Hz) C/W BACK GUARD, SHUTTER AND 22GA STORM HOOD (ELECTRICAL ROOM)  
(1) - 16" EXPLOSION PROOF SUPPLY FAN (120V/1 PH/60Hz) C/W BACK GUARD, SHUTTER AND 22GA STORM HOOD (PROCESS ROOM)  
(1) - 12" X 12" MANUAL LOUVERS C/W INSECT SCREEN (ELECTRICAL ROOM)  
(1) - 12" X 12" MANUAL LOUVERS C/W INSECT SCREEN (PROCESS ROOM)

GENERAL NOTES: (CONT'D) PLAN VIEW

- BUILDING (CONT'D)  
(2) - 28'-8" FULL-LENGTH EAVES TROUGH C/W DOWNSPOUTS & ELBOW  
(2) - 28'-8" FULL-LENGTH ANGE IRON ICE RAKES  
(1) - PROFESSIONAL ENGINEERING STAMPED DRAWING
- CLEAN ALL STEEL SURFACES PRIOR TO PAINTING TO SSPC-SP10 SANDBLASTED NEAR TO WHITE METAL. STRUCTURAL STEEL, PIPING, AND FILTER COALESCER  
ONE (1) - COAT OF ZINC PRIMER  
ONE (1) - COAT OF EPOXY  
ONE (1) - TOPCOAT OF POLYURETHANE (COLOR: WARM GREY)  
TOTAL LAYERS (3); TOTAL MIN. OF NDFT: 300UM  
INSULATED HEATER SHELL & INSULATED INLET (N1) - TWO (2) - COATS EPOXY PHENOLIC
- ALL PIPING SHALL BE HYDROTESTED TO 1.5 TIMES THE DESIGN PRESSURE.
- ALL PIPE SUPPORT LOCATIONS TO BE DETERMINED BY SHOP.
- ALL UNION LOCATIONS TO BE DETERMINED BY SHOP IF ANY.
- UNIT IS REGISTERED FOR ALBERTA SERVICE.
- FLAME ARRESTOR TO BE SHIPPED LOOSE.
- SHIPPING DIMENSION: 13'-0" W X 30'-0" LG X 16'-0" HT
- SHIPPING WEIGHT: 24,200 LBS (10,977 KG)  
OPERATING WEIGHT: TBD LBS
- SEE ELECTRICAL DOC. 214068-7400/7401 FOR DETAILED POWER LAYOUT AND INSTRUMENT GENERAL LAYOUT.

SCHEDULE OF OPENINGS

CONN	SIZE	RATING	DESCRIPTION
N1	2"	600# RF	PACKAGE INLET
N2	2"	150# RF	PACKAGE OUTLET
N3	2"	-	VENT HEADER (VENT TO ATMOSPHERE)
N4	2"	-	TANK VENT (VENT TO ATMOSPHERE)
N5	3"	CAMLOCK	TANK DRAIN

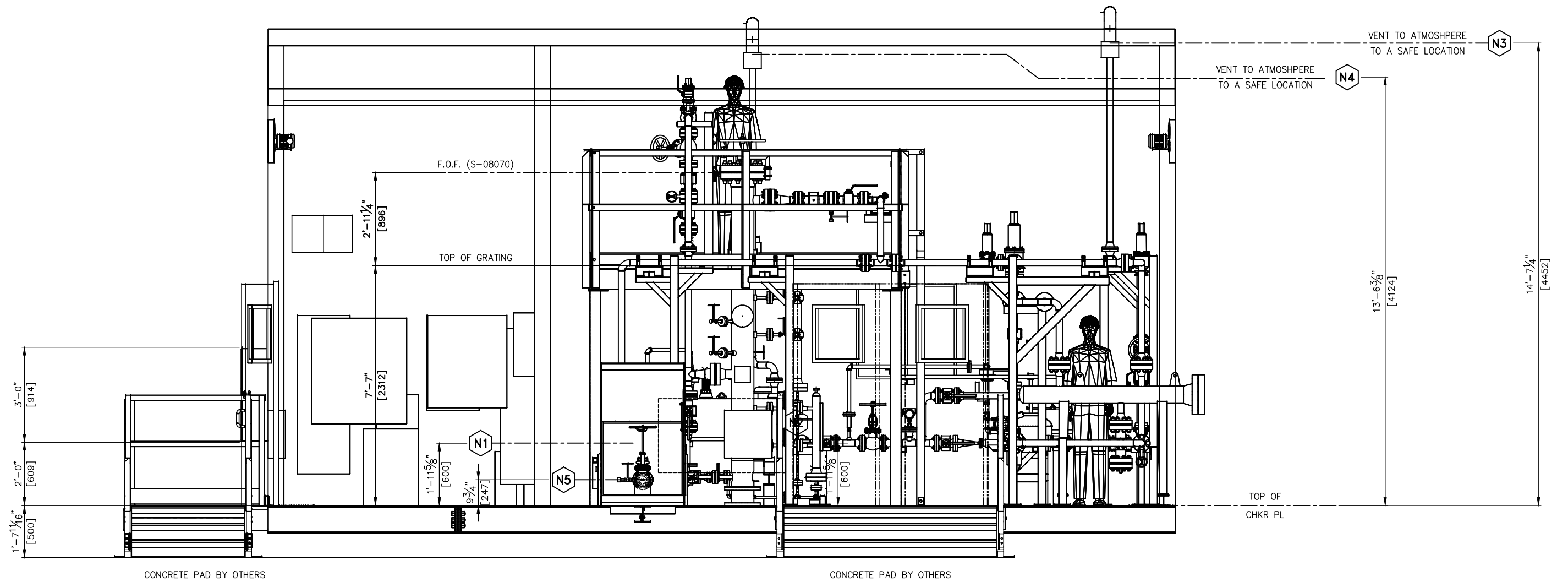
PRELIMINARY

THIS DRAWING IS THE EXCLUSIVE PROPERTY OF NATIONAL PROCESS EQUIPMENT AND SHALL NOT BE REPRODUCED WITHOUT WRITTEN PERMISSION FROM NPE.

THIS DRAWING IS THE EXCLUSIVE PROPERTY OF NATIONAL PROCESS EQUIPMENT AND SHALL NOT BE REPRODUCED WITHOUT WRITTEN PERMISSION FROM NPE.

PROJECT NAME: \_\_\_\_\_  
 CUSTOMER: \_\_\_\_\_  
 LOCATION: \_\_\_\_\_  
 TAG: \_\_\_\_\_  
 0 ISSUED FOR INFORMATION ONLY (PRELIMINARY) NSP PM PM D5/26/16  
 REV DESCRIPTION DWN CHK APP DATE  
 DWN BY: NSP DATE: MAY 26/16 DWG #: 100  
 CHK BY: PM DATE: MAY 26/16  
 APP BY: PM DATE: MAY 26/16 PAGE: 1 OF 4 CAD: N/A

SKID PACKAGE GENERAL ARRANGEMENT



ELEVATION – FRONT VIEW

THIS DRAWING IS THE EXCLUSIVE PROPERTY OF NATIONAL PROCESS EQUIPMENT AND SHALL NOT BE REPRODUCED WITHOUT WRITTEN PERMISSION FROM NPE.



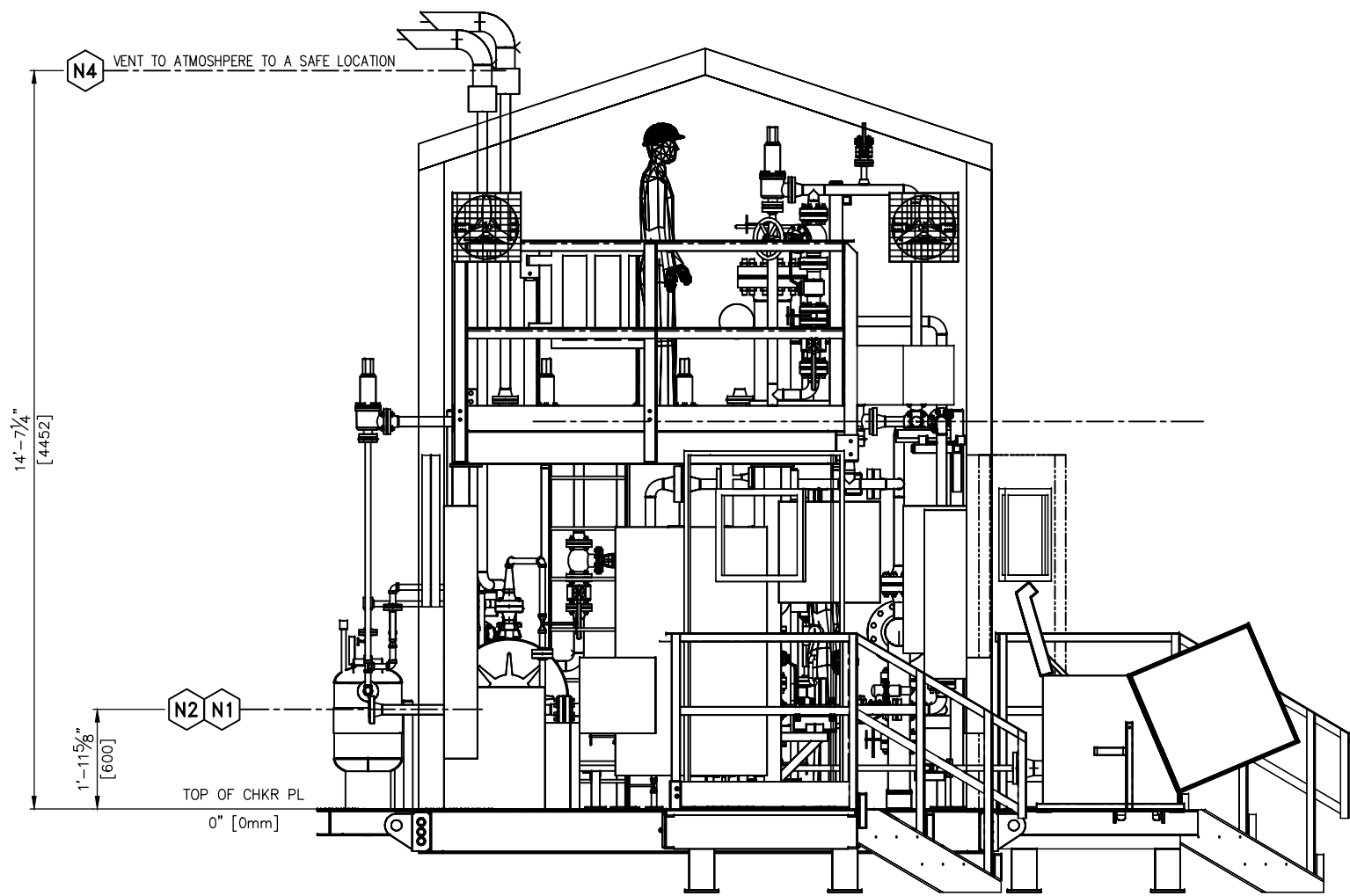
PROJECT NAME: -			
CUSTOMER: -			
LOCATION: -			
TAG: -			
SLS#:	QUOTE:	PO#:	
DWN BY: NSP	DATE: MAY 26/16	DWG #:	100
CHK BY: PM	DATE: MAY 26/16	PAGE: 2 OF 4	
APP BY: PM	DATE: MAY 26/16	CAD: N/A	

SCHEDULE OF OPENINGS			
CONN	SIZE	RATING	DESCRIPTION
N1	2"	600# RF	PACKAGE INLET
N2	2"	150# RF	PACKAGE OUTLET
N3	2"	-	VENT HEADER (VENT TO ATMOSPHERE)
N4	2"	-	TANK VENT (VENT TO ATMOSPHERE)
N5	3"	CAMLOCK	TANK DRAIN

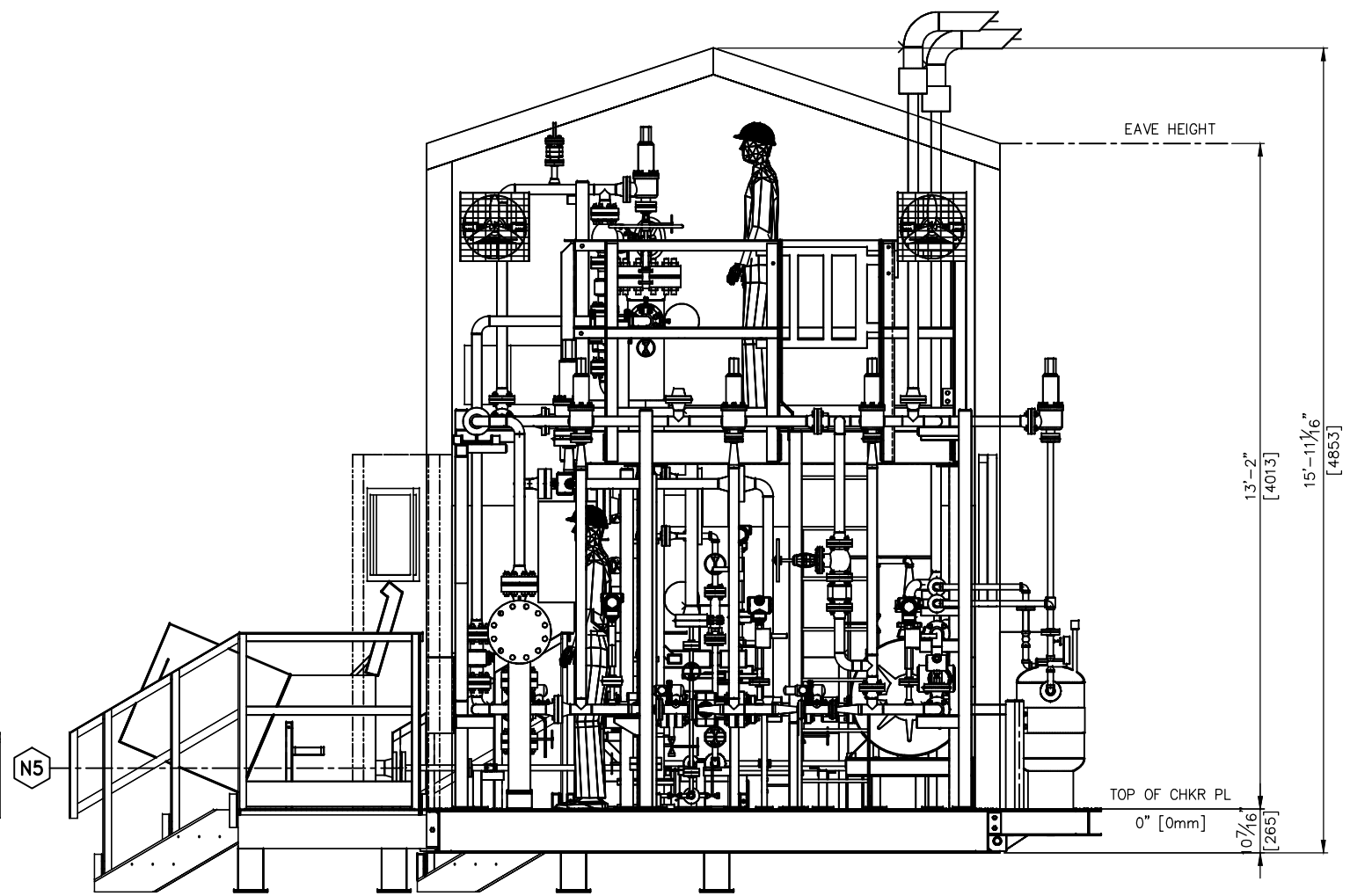
PRELIMINARY

THIS DRAWING IS THE EXCLUSIVE PROPERTY OF NATIONAL PROCESS EQUIPMENT AND SHALL NOT BE REPRODUCED WITHOUT WRITTEN PERMISSION FROM NPE.

0	ISSUED FOR INFORMATION ONLY (PRELIMINARY)	NSP	PM	PM	D5/26/16
REV	DESCRIPTION	DWN	CHK	APP	DATE
SKID PACKAGE GENERAL ARRANGEMENT					



ELEVATION - LEFT SIDE VIEW



ELEVATION - RIGHT SIDE VIEW

SCHEDULE OF OPENINGS

CONN	SIZE	RATING	DESCRIPTION
N1	2"	600# RF	PACKAGE INLET
N2	2"	150# RF	PACKAGE OUTLET
N3	2"	-	VENT HEADER (VENT TO ATMOSPHERE)
N4	2"	-	TANK VENT (VENT TO ATMOSPHERE)
N5	3"	CAMLOCK	TANK DRAIN

PRELIMINARY

THIS DRAWING IS THE EXCLUSIVE PROPERTY OF NATIONAL  
PROCESS EQUIPMENT AND SHALL NOT BE REPRODUCED  
WITHOUT WRITTEN PERMISSION FROM NPE.

THIS DRAWING IS THE EXCLUSIVE PROPERTY OF NATIONAL PROCESS EQUIPMENT AND SHALL NOT BE REPRODUCED WITHOUT WRITTEN PERMISSION FROM NPE.



PROJECT NAME:			
CUSTOMER:			
LOCATION:			
TAG:			
SLS#:	QUOTE:	PO#:	
DWN BY: NSP	DATE: MAY 26/16	DWG #:	100
CHK BY: PM	DATE: MAY 26/16	PAGE:	3 OF 4
APP BY: PM	DATE: MAY 26/16	CAD:	N/A

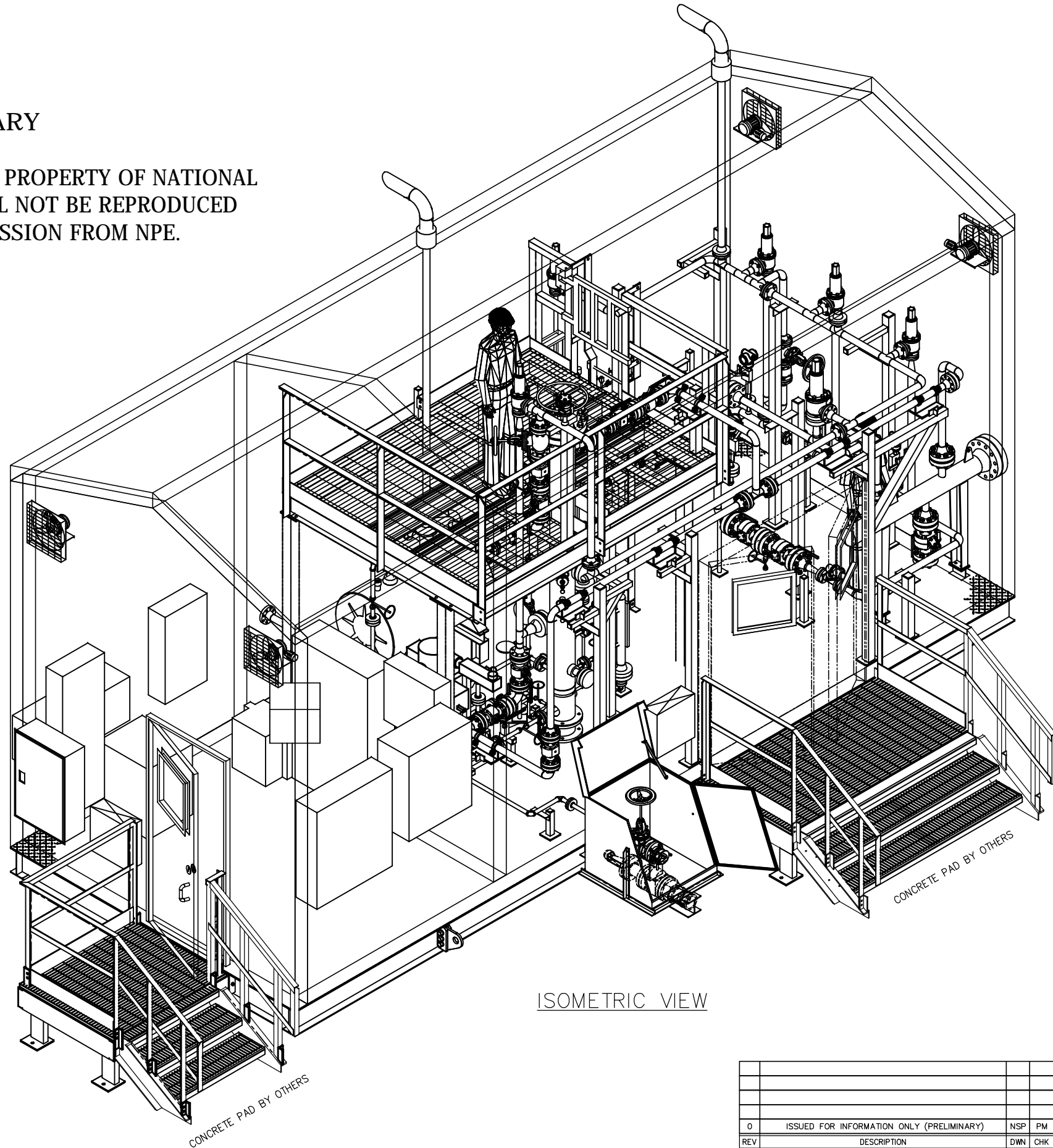
REV	DESCRIPTION	DWN	CHK	APP	DATE
0	ISSUED FOR INFORMATION ONLY (PRELIMINARY)	NSP	PM	PM	05/26/16

**SKID PACKAGE  
GENERAL ARRANGEMENT**



PRELIMINARY

THIS DRAWING IS THE EXCLUSIVE PROPERTY OF NATIONAL  
PROCESS EQUIPMENT AND SHALL NOT BE REPRODUCED  
WITHOUT WRITTEN PERMISSION FROM NPE.



ISOMETRIC VIEW

THIS DRAWING IS THE EXCLUSIVE PROPERTY OF NATIONAL PROCESS EQUIPMENT AND SHALL NOT BE REPRODUCED WITHOUT WRITTEN PERMISSION FROM NPE.



PROJECT NAME: -  
 CUSTOMER: -  
 LOCATION: -  
 TAG: -  
 SLS#: - QUOTE: - PO#: -  
 DWN BY: NSP DATE: MAY 26/16 DWG #: 100  
 CHK BY: PM DATE: MAY 26/16  
 APP BY: PM DATE: MAY 26/16 PAGE: 4 OF 4 CAD: N/A

REV	DESCRIPTION	DWN	CHK	APP	DATE
0	ISSUED FOR INFORMATION ONLY (PRELIMINARY)	NSP	PM	PM	D5/26/16

**SKID PACKAGE  
GENERAL ARRANGEMENT**