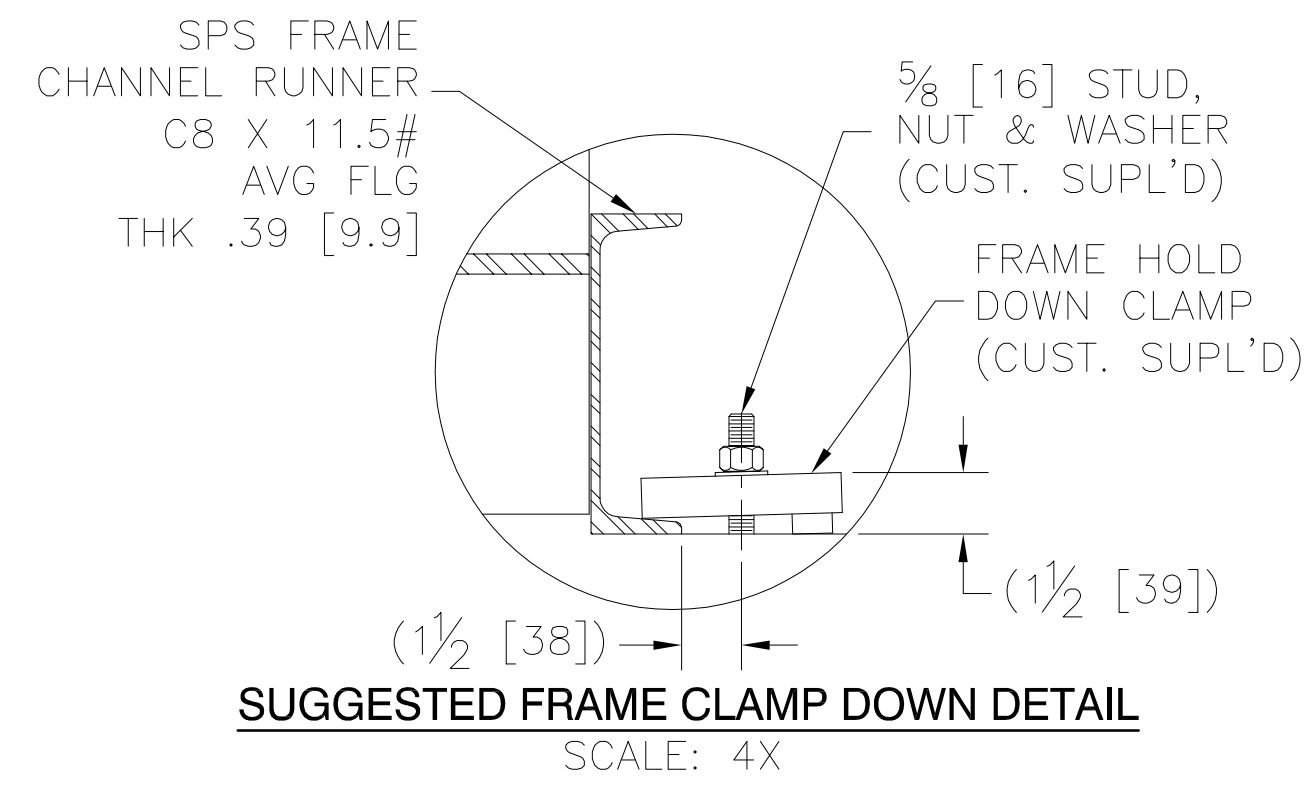


LTR	REVISION	ECN#	DRFT	APR	DATE
A	NEW RELEASE	NO3458	MAP	JTS	5/29/14

NOTES:

1. SURFACE PUMPING SYSTEM (SPS) MUST BE ASSEMBLED ACCORDING TO WORK INSTRUCTION M5009.
2. SPS MUST HAVE SURFACES PREPARED & PAINTED PER WORK INSTRUCTION M5000, SYSTEM 1. FOR SURFACE PREPARATION & PAINTING OF PUMP, SEE SPS PRODUCT ENGINEER.
3. REFERENCE SEPARATE BILL OF MATERIAL FOR BUBBLE PART NUMBERS & DESCRIPTIONS.
4. FOUNDATION DIMENSIONS ARE FOR REFERENCE ONLY, IT IS RECOMMENDED THAT THE END USER CONSULT API 686 &/OR A CIVIL ENGINEER FOR PROPER FOUNDATION DESIGN.
5. GROUNDING LUGS WELDED TO SKID, 4 PLACES (BOTH ENDS, BOTH SIDES).
6. CENTER OF GRAVITY (COG) DIMENSIONS ARE ESTIMATED, BASED ON CALCULATED WEIGHTS, & SHOULD BE VERIFIED IN THE AS-BUILT CONDITION.



APPROVAL DRAWING

APPROVED BY: _____

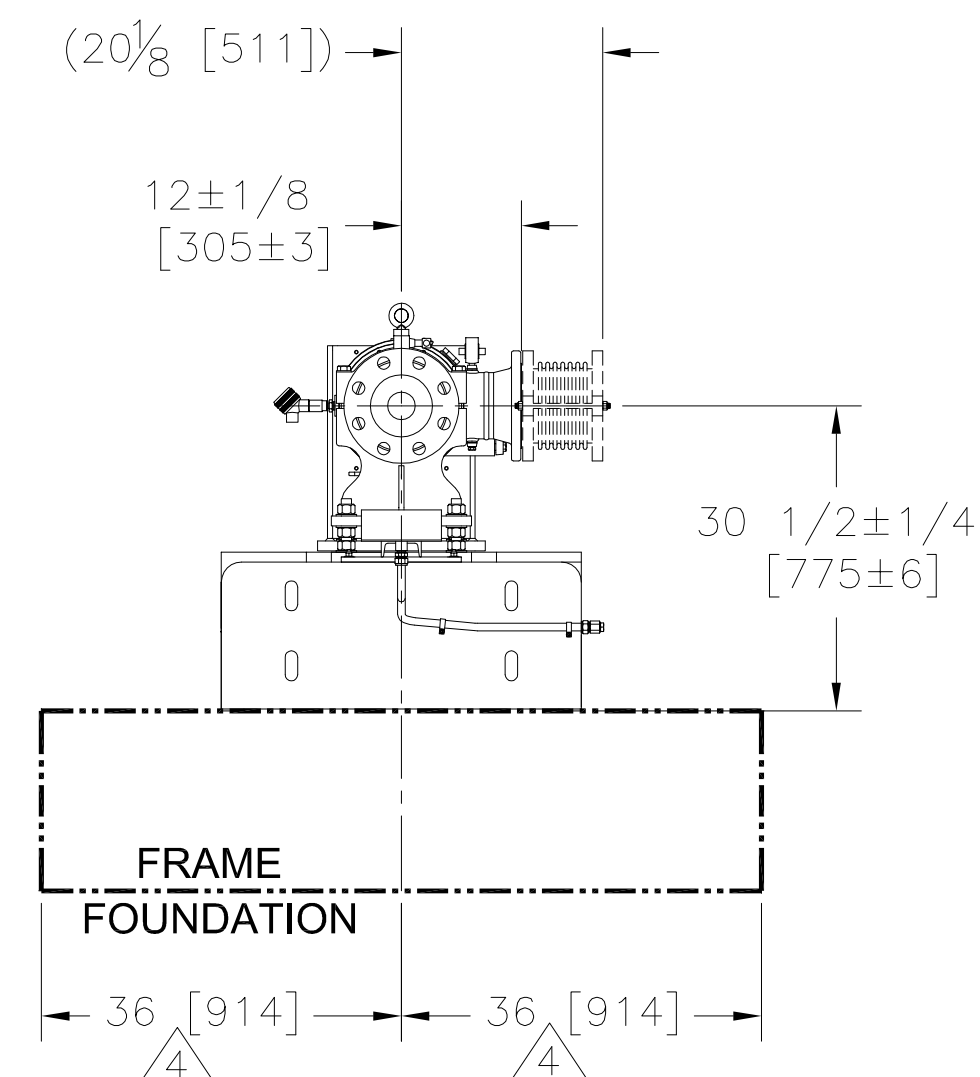
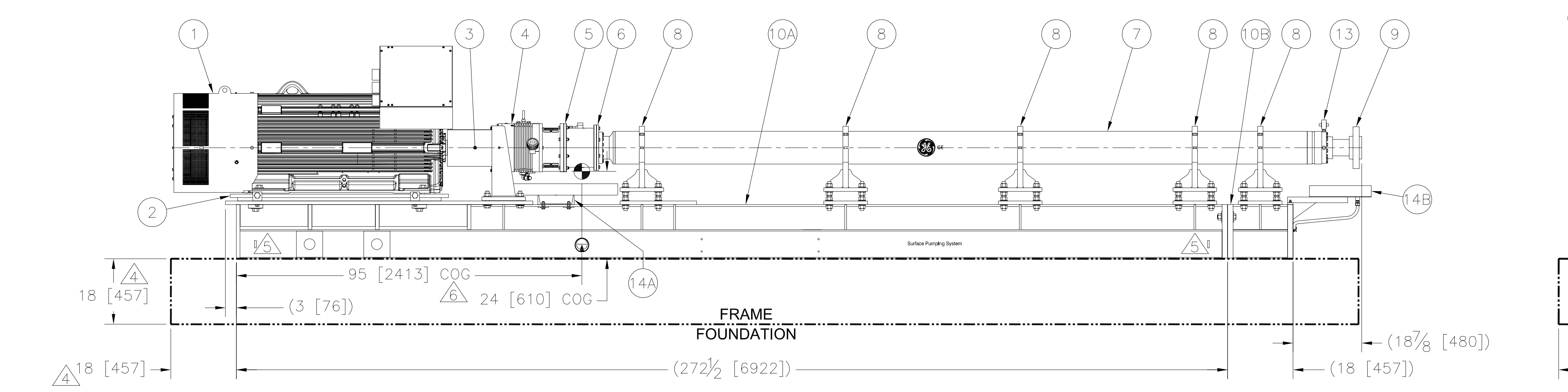
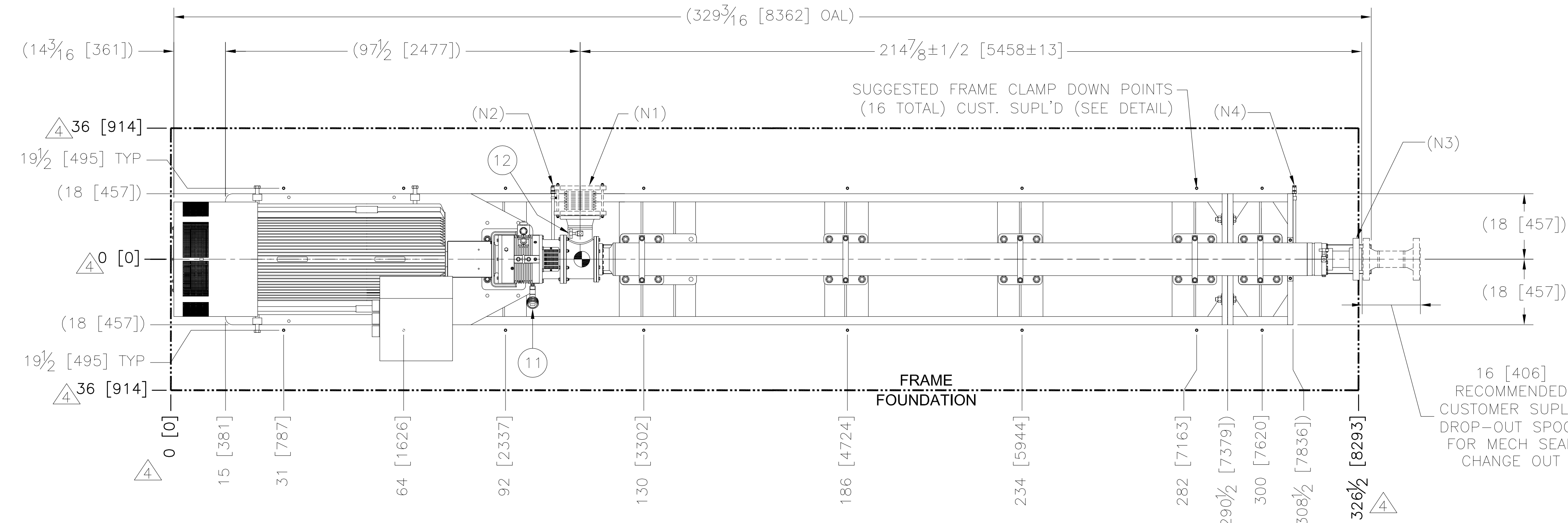
TITLE: _____

DATE: _____

PROJECT INFORMATION	
SPS CUSTOMER	ALTON NATURAL GAS STORAGE LP
END USER	ALTON NATURAL GAS STORAGE LP
ENGINEERING FIRM	.
PROJECT	INJECTION PUMPS
SERVICE	PRODUCED WATER
TAG NUMBER	UNITS: P-320, P-321, P-322
PO NUMBER	ANGS PO-2014-056
AFE NUMBER	.
SYSTEM WEIGHT	16,200 LBS
SPS ORDER NO.	ZS0983N

CUSTOMER CONNECTION SCHEDULE*		
SERVICE	DESCRIPTION	MTR'L
SUCTION (N1)	6" CL150 RF WN	3SS
SUCTION DRIP PAN (N2)	1/2" FNPT	3SS
DISCHARGE (N3)	4" CL900 RF WN	3SS
DISCHARGE DRIP PAN (N4)	1/2" FNPT	3SS

*REF. ASME B16.5, FOR ALLOWABLE NOZZLE LOADS



UNLESS OTHERWISE SPECIFIED: PRIMARY DIMENSIONS ARE IN INCHES (SECONDARY DIMENSIONS ARE IN MM) INTERPRET DIMENSIONS PER ASME Y 14.5M-1994 REMOVE ALL BURRS BREAK SHARP EDGES: MAX 1/64" [4] MACHINE SURFACE: 125 m IN		TOLERANCE NOT SHOWN: FRACTIONAL ± 1/32" [8] DECIMAL .X ± .03 [8] XXX ± .015 [38] XXX ± .005 [13] ANGULAR ± 1/2° CONCENTRICITY .010 [25]		© 2010 GE OIL & GAS, INC. PROPRIETARY INFORMATION ALL RIGHTS RESERVED. THIS DOCUMENT IS AND CONTAINS UNPUBLISHED COPYRIGHTED AND CONFIDENTIAL INFORMATION OF GE OIL & GAS, INC. AND IS REVEALED FOR LIMITED PURPOSES ONLY. THIS DOCUMENT IS THE PROPERTY OF GE OIL & GAS, INC. AND IS TO BE RETURNED TO GE OIL & GAS, INC. ON REQUEST AND MAY NOT BE REPRODUCED, USED, OR DISCLOSED TO PERSONS NOT HAVING A NEED TO KNOW CONSISTENT WITH THE PURPOSE OF THIS DOCUMENT. THE WRITER CONSENTS TO GE OIL & GAS, INC. THAT THIS DOCUMENT IS NOT RENTED, LOANED OR SOLD, EITHER ALONE OR IN CONNECTION WITH EQUIPMENT OR PRODUCT.		TITLE SPS,22AX1.5 5SM+25000 26STG 5013ST EMS		MATERIAL SEE BOM		DRAWN BY MAP		CHECKED BY BEM		ENGR APPV JTS		THIRD ANGLE PROJECTION		DRAWING No. 3002535		SIZE D	
INSPECTION DIMENSIONS: ⊙ = SYMBOLS REPRESENT THE REQUIRED INSPECTION OF BOTH SIZE/ LOCATION DIMENSIONS AND ASSOCIATED TOLERANCES INCLUDING GD&T		DATE 5/13/14		DATE 5/29/14		DATE 5/29/14		SCALE 1:20		REV A		DO NOT SCALE									

D

C

B

A

D

C

B

A