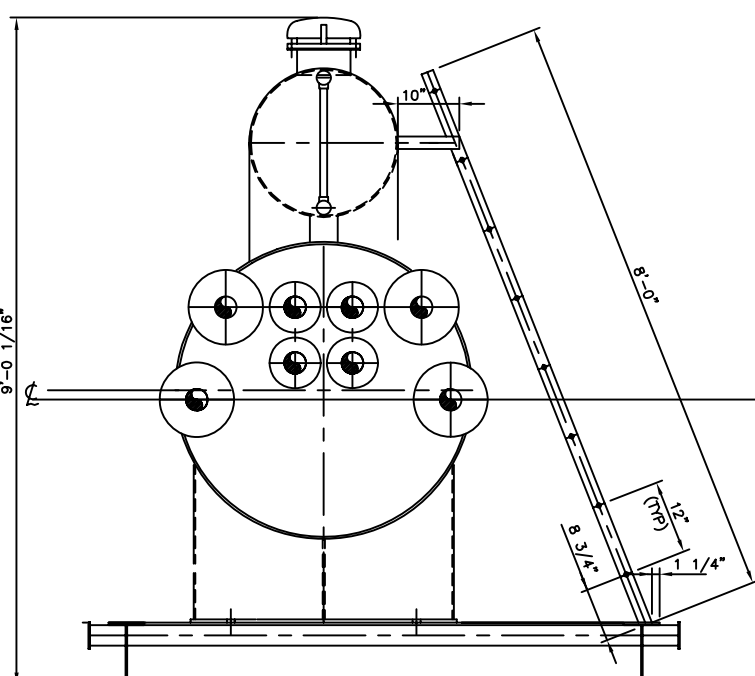
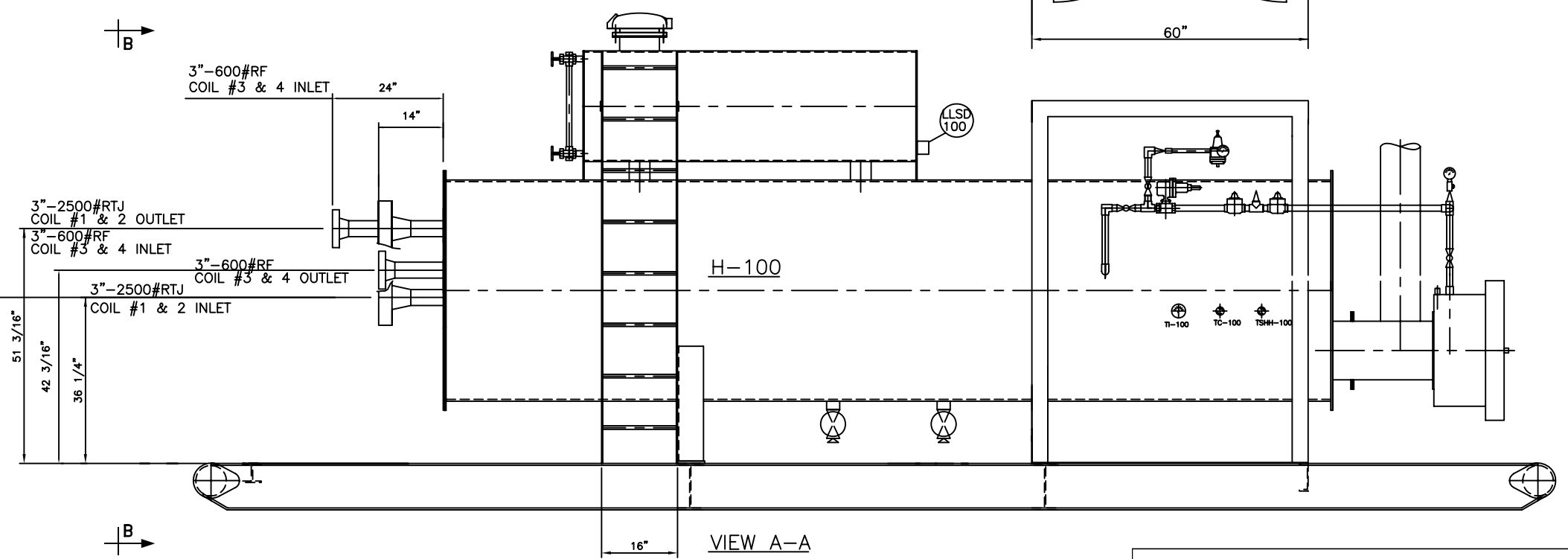


PLAN



VIEW B-B




VIEW A-A

NOTE:

1. ALL ELEVATIONS ARE MEASURED FROM TOP OF SKID.
2. SMALL DIAMETER PIPING MAY CHANGE TO ACCOMADATE VALVE AND CONTROLS
3. SHIPPING INFORMATION:
OVERALL SIZE 24'-5 1/2" L X 7'-11" W X 9'-0 1/16" H
SHIPPING WEIGHT: 13050 LBS.

NO.	DATE	REVISIONS	DRAWN	CHECK	DESIGN	APPR.
0	10-10-08	FOR APPROVAL	VI			TMM
			DRAFTING		ENGINEERING	



PRIORITY PROJECTS LTD.

1603-8 STREET, NISKU, ALBERTA T9E 7S7
TELEPHONE: (780) 955-3320 FAX: (780) 955-2561

1,000,000 BTU/HR INDIRECT LINE HEATER (48"ODx16'-0"LG)
GENERAL ARRANGEMENT

CUSTOMER NAME MURPHY OIL COMPANY LTD.	SCALE NTS	DRAWING NUMBER 6576-200	REV. 0
LSD: C-55-A/93-P-9			