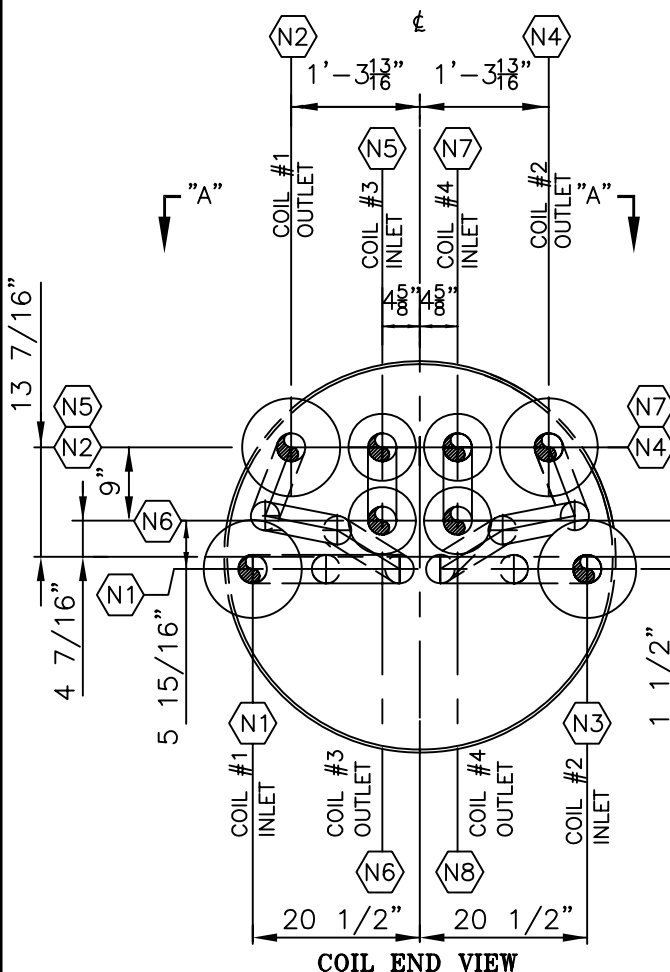
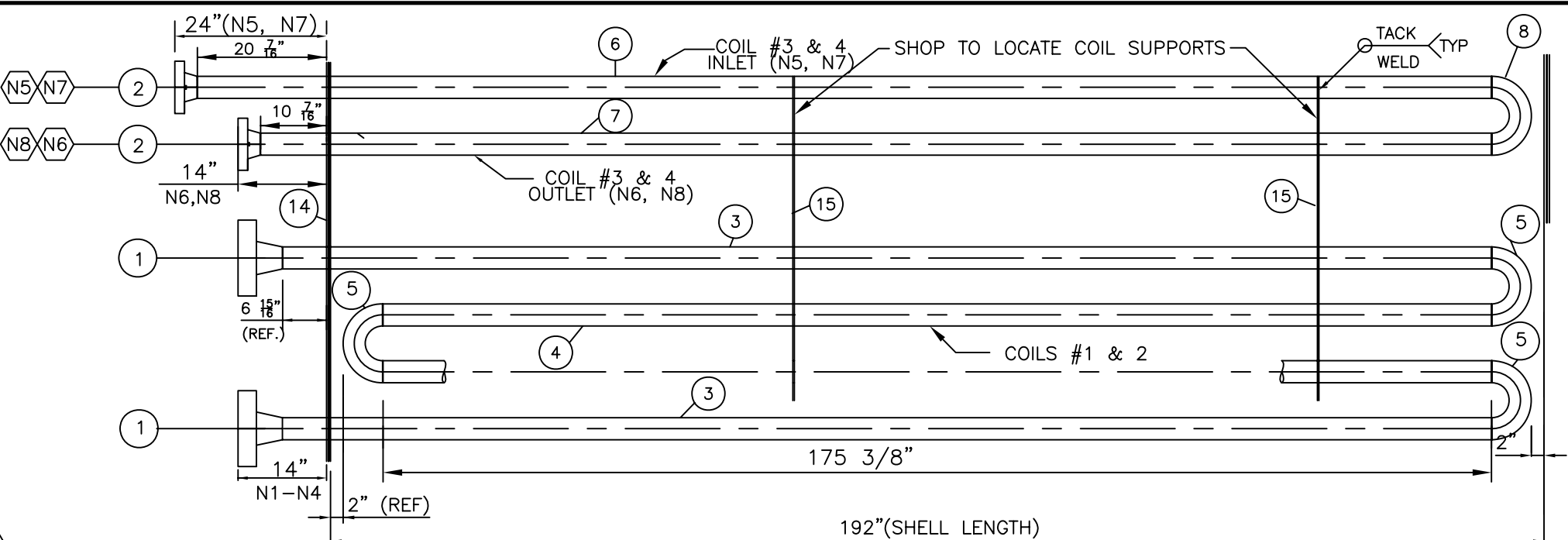


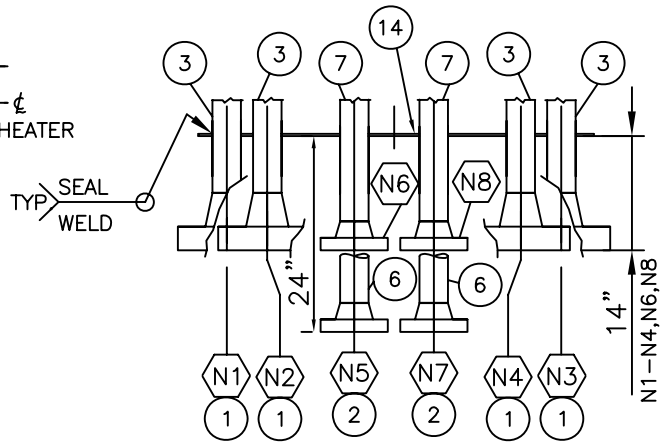
NOTE:
 1. SHOP TOLERANCE 1/8"
 2. IMPACT EXEMPT PARA. 323.2.2b.



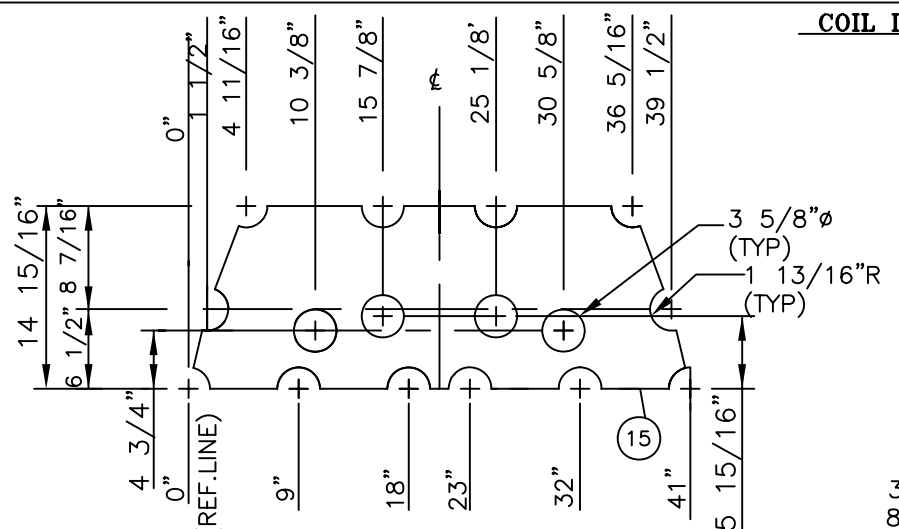
COIL END VIEW



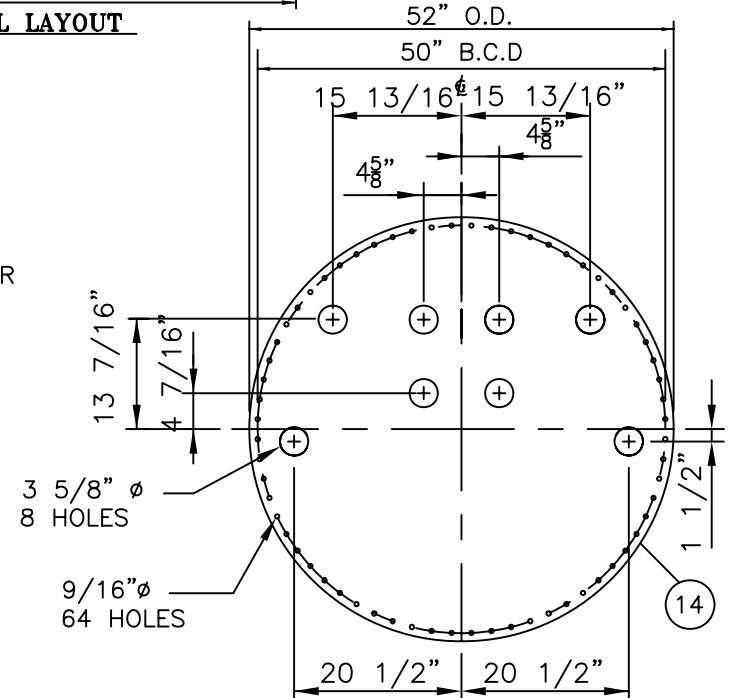
COIL LAYOUT



VIEW A-A



ITEM #15 COIL SUPPORT PLATE



COIL END FLANGE DETAIL

BILL OF MATERIAL

ITEM	QTY.	DESCRIPTION	MATERIAL	WELD
1	4	3"-CL.2500 ANSI RTJWN FLANGE (SCH.XXH BORE)	SA-105	F1
2	4	3"-CL.600 ANSI RFWN FLANGE (SCH.80 BORE)	SA-105	F1
3	4	3"-XXH PIPE X 191 1/2" LG	SA-106-B	S7
4	8	3"-XXH PIPE X 175 3/8" LG	SA-106-B	S7
5	10	3"-XXH LR BW 180° RETURN	SA-234-WPB	S7
6	2	3"-SCH.80 PIPE X 205" LG	SA-106-B	S7
7	2	3"-SCH.80 PIPE X 195" LG	SA-106-B	S7
8	2	3"-SCH.80 LR BW 180° RETURN	SA-234-WPB	S7
14	1	COIL FLANGE PL - 3/8" PL x 52" O.D.	SA-36/44W	
15	2	SUPPORT PL - 1/4" PL x 14 15/16" x 41" LG	SA-36/44W	

DESIGN DATA

DESIGN AND FABRICATE TO A.S.M.E. B 31.3, 2008 ED.
 COILS #1 & 2 DESIGN REGISTERED UNDER CRN# F-3319.231 (AB.,SK. B.C.)
 COILS #3 & 4 DESIGN REGISTERED UNDER CRN# F-3319.231 (AB.,SK. B.C.)

	COIL #1	COIL #2	COIL #3	COIL #4
DESIGN PRESSURE	5031 PSIG	5031 PSIG	1350 PSIG	1350 PSIG
DESIGN TEMP.	200°F/-20°F	200°F/-20°F	200°F/-20°F	200°F/-20°F
STRESS RELIEF	1 HR.@1150°F	1 HR.@1150°F	1 HR.@1150°F	1 HR.@1150°F
RADIOGRAPHY	100%	100%	100%	100%
C.A.	1/8"	1/8"	1/8"	1/8"
HYDROTEST PRESS.	7547 PSIG	7547 PSIG	2025 PSIG	2025 PSIG
ESTIMATED WEIGHT	1925 LBS	1925 LBS	377 LBS	377 LBS
SURFACE AREA	85.5 SQ.FT	85.5 SQ.FT	30.3 SQ.FT	30.3 SQ.FT
VOLUME	2.7 CU.FT.	2.7 CU.FT.	1.49 CU.FT	1.49 CU.FT

FOR HEATER SEE DWG. 6576-300



PRIORITY PROJECTS LTD.

1603-8 STREET, NISKU, ALBERTA T9E 7S7
 TELEPHONE: (780) 955-3320 FAX: (780) 955-2561

1,000,000 BTU/HR HEATER COIL
 COIL#1 & 2- 3"-SCH XXH, 6 PASS
 COIL#3 & 4 - 3"-SCH.80, 2 PASS

NO.	DATE	REVISIONS	DRAWN	CHECK	DESIGN	APPR.	TMM
0	010 10 08	ISSUED FOR APPROVAL	VI				TMM
			DRAFTING		ENGINEERING		

CUSTOMER NAME	SCALE	DRAWING NUMBER	REV.
MURPHY OIL COMPANY LTD.	NTS	6576-301	0

B-STD-15