


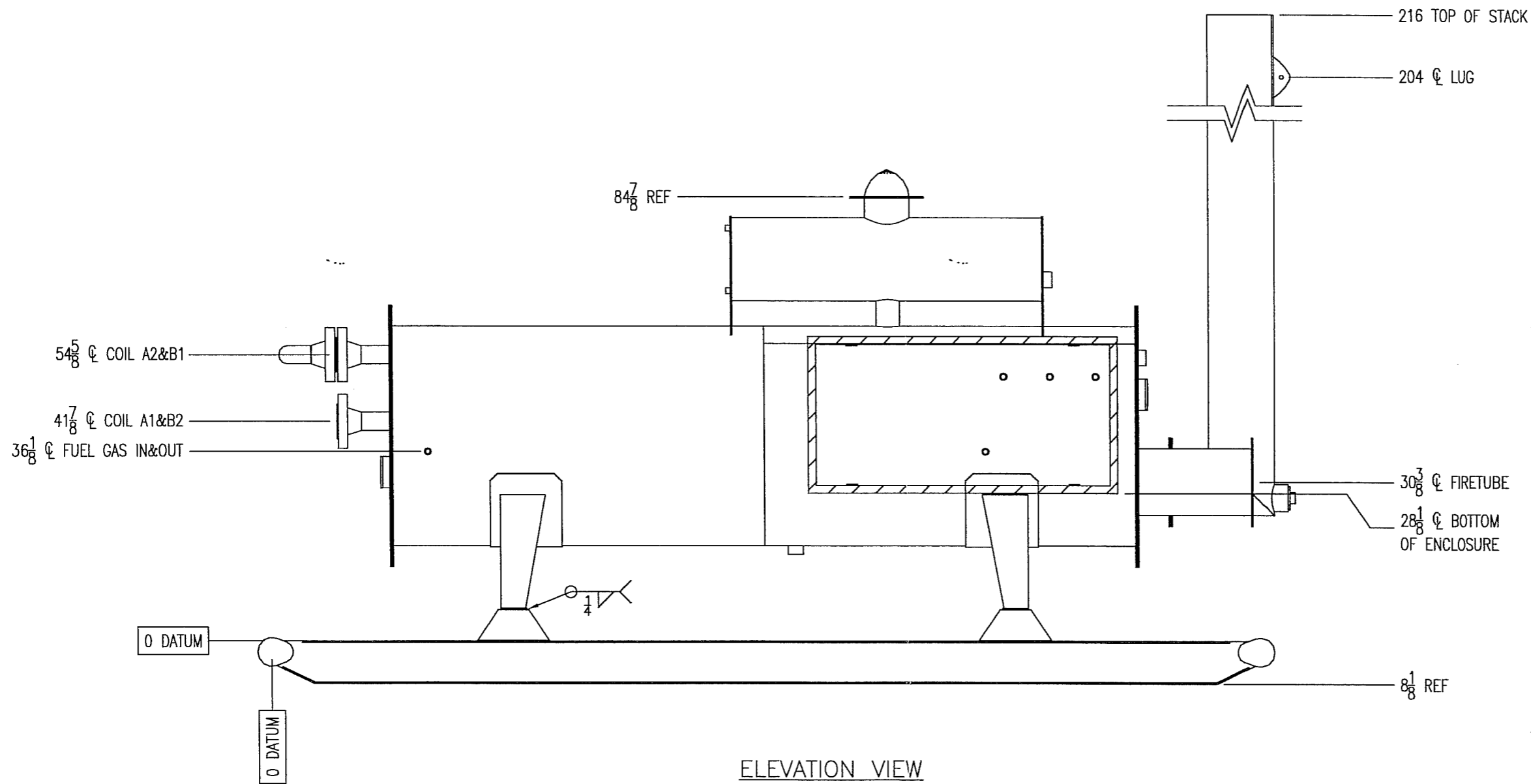
**AS BUILT
ORIGINAL**

DOCUMENT NO.	DESCRIPTION	REV	DATE	BY	CHK	APP	DRAWING REVISIONS
05835-4	LINE HEATER						
05835-3	SKID						
05835-2	COIL						
05835-1	P&ID	0	2008.03.12	PNC		<i>[Signature]</i>	ISSUED FOR CONSTRUCTION


NWP
 INDUSTRIES INC.
TRADING COMPANY
 P.O. BOX 6280, INNISFAIR, AB T4G 1S9
 PH (403) 227-4100 FAX (403) 227-4102
 www.nwp.ca

THIS DRAWING IS PROPERTY OF NWP INDUSTRIES INC. AND MAY NOT BE REPRODUCED WITHOUT PERMISSION. THIS DRAWING MUST BE RETURNED UPON REQUEST.

GENERAL ARRANGEMENT Ø42" x 12' LINE HEATER 750,000 BTU/HR W/ 12" FIRETUBE H-2000-67010: D-63-B/93-P-9		SCALE 1/2" = 1'	DWG 05835	REV 0
		SHEET 1/3		

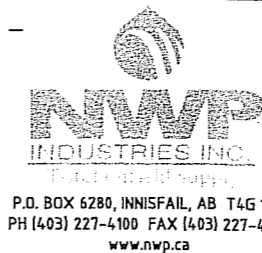


**AS BUILT
ORIGINAL**

GENERAL NOTES:

1. ALL DIMENSIONS ARE IN INCHES UNLESS OTHERWISE SPECIFIED
2. ALL DIMENSIONS TO HAVE A TOLERANCE OF $\pm 1/8$ " UNLESS OTHERWISE SPECIFIED
3. FLANGE BOLT HOLES TO STRADDLE CENTER LINES
4. COIL END PEDESTAL WELDED TO SKID AND OTHER IS BOLTED.

DOCUMENT NO.	DESCRIPTION	REV	DATE	BY	CHK	APP	DRAWING REVISIONS
05835-4	LINE HEATER						
05835-3	SKID						
05835-2	COIL						
05835-1	P&ID	0	2008.03.12	PNC	<i>[Signature]</i>	<i>[Signature]</i>	ISSUED FOR CONSTRUCTION



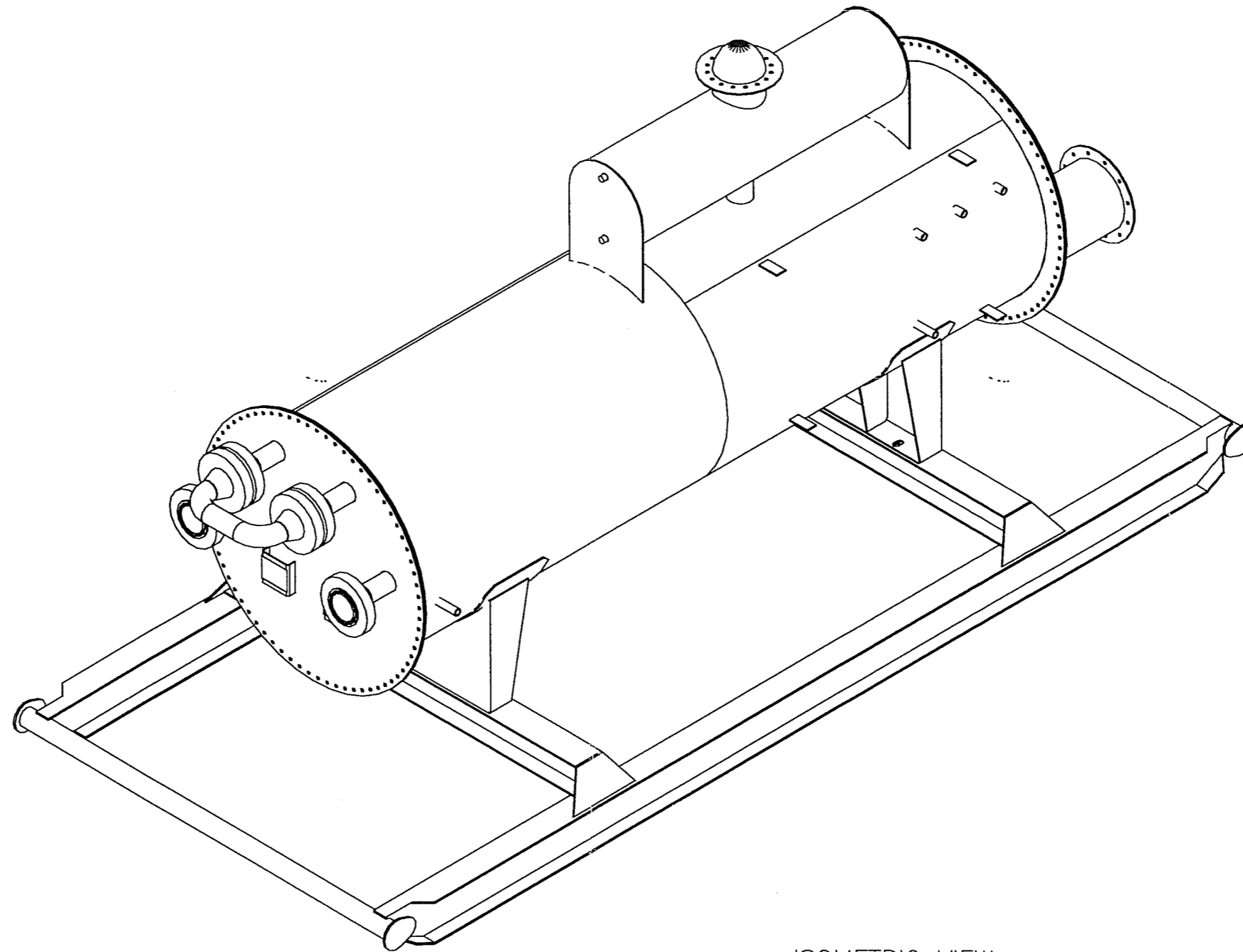
GENERAL ARRANGEMENT
 $\phi 42$ " x 12' LINE HEATER
 750,000 BTU/HR
 W/ 12" FIRETUBE
 H-2000-67010: D-63-B/93-P-9

THIS DRAWING IS PROPERTY OF NWP INDUSTRIES INC. AND MAY NOT BE REPRODUCED WITHOUT PERMISSION. THIS DRAWING MUST BE RETURNED UPON REQUEST.

SCALE 1/2" = 1'
 SHEET 2/3

DWG 05835


REV 0



ISOMETRIC VIEW
N.T.S.
STACK REMOVED FOR CLARITY

**AS BUILT
ORIGINAL**

DOCUMENT NO.	DESCRIPTION	REV	DATE	BY	CHK	APP	DRAWING REVISIONS
05835-4	LINE HEATER						
05835-3	SKID						
05835-2	COIL						
05835-1	P&ID	0	2008.03.12	PNC	<i>[Signature]</i>	<i>[Signature]</i>	ISSUED FOR APPROVAL


NWP
 INDUSTRIES INC.
2008-03-12
 P.O. BOX 6280, INNISFAIR, AB T4G 1S9
 PH (403) 227-4100 FAX (403) 227-4102
 www.nwp.ca

THIS DRAWING IS PROPERTY OF NWP INDUSTRIES INC. AND MAY NOT BE REPRODUCED WITHOUT PERMISSION. THIS DRAWING MUST BE RETURNED UPON REQUEST.

GENERAL ARRANGEMENT
 Ø48" x 12' LINE HEATER
 750,000 BTU/HR
 W/ 12" FIRETUBE
 H-2000-67010: D-63-B/93-P-9

SCALE 1/2" = 1'	DWG 05835	REV 0
SHEET 2/2		