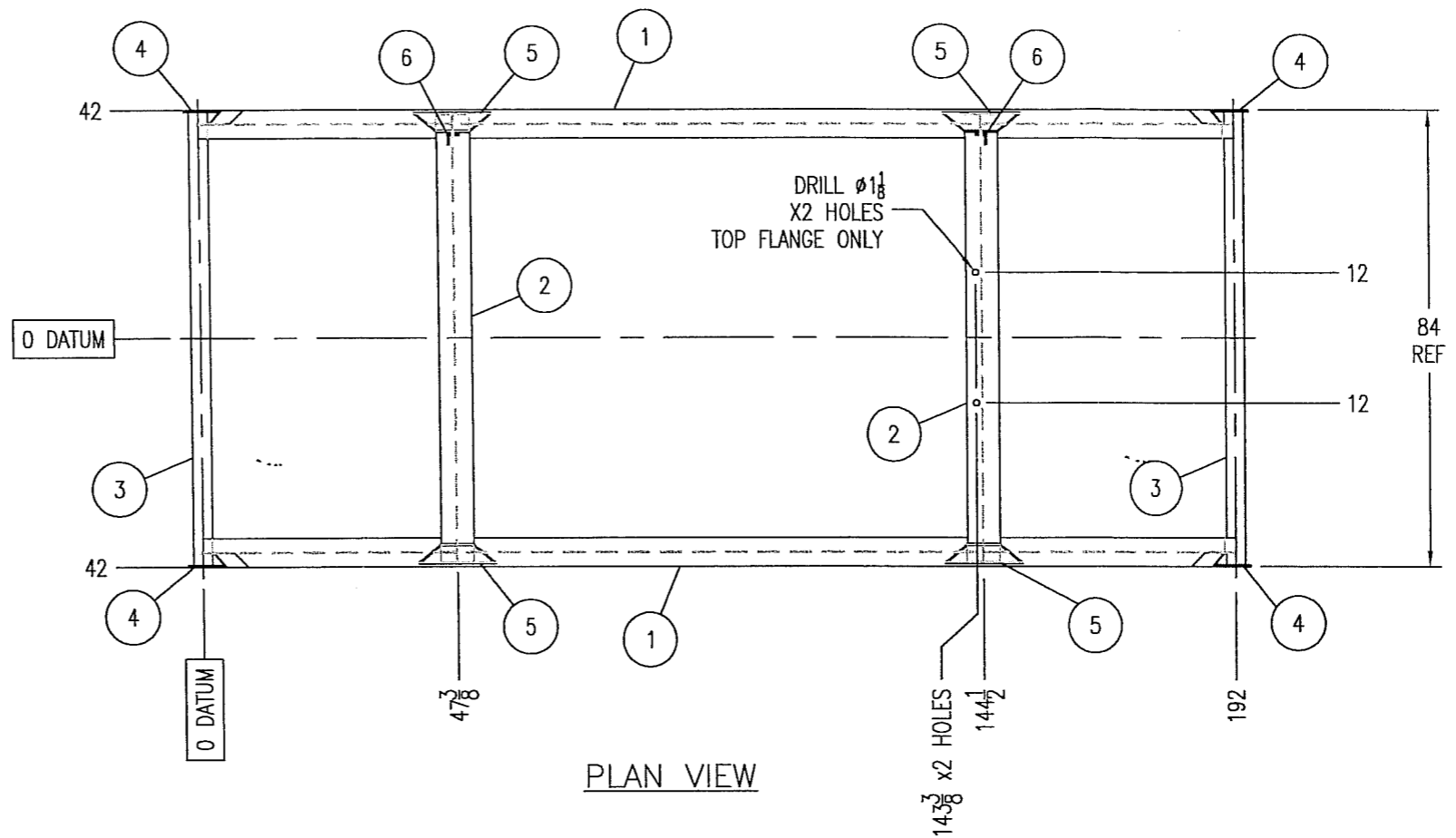
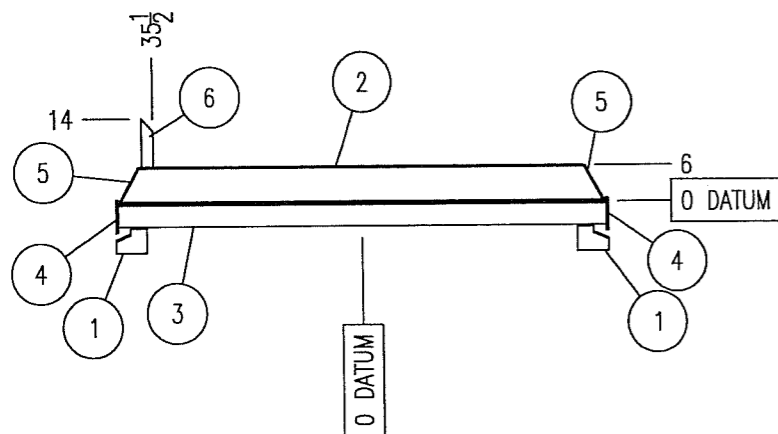


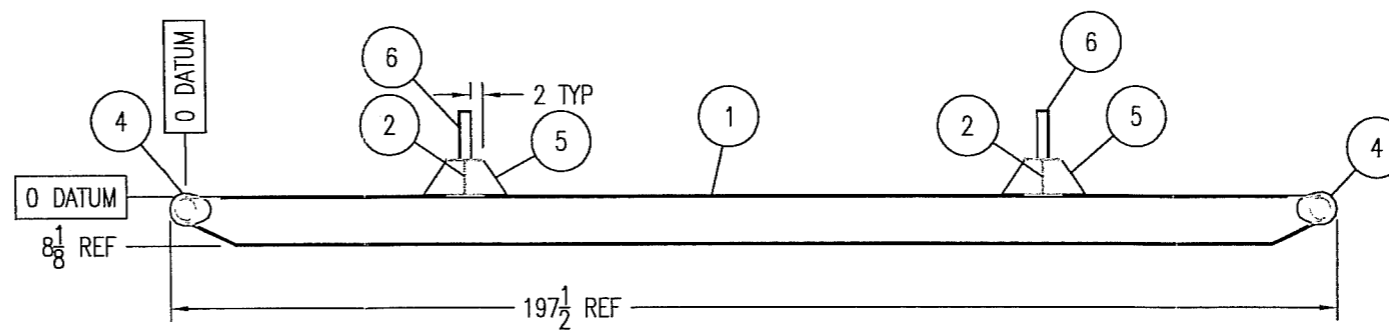
ISOMETRIC VIEW  
N.T.S.



PLAN VIEW




LEFT SIDE VIEW



ELEVATION VIEW

**AS BUILT  
ORIGINAL**

DOCUMENT NO.	DESCRIPTION	REV	DATE	BY	CHK	APP	DRAWING REVISIONS
		0	2008.03.12	PNC			ISSUED FOR CONSTRUCTION

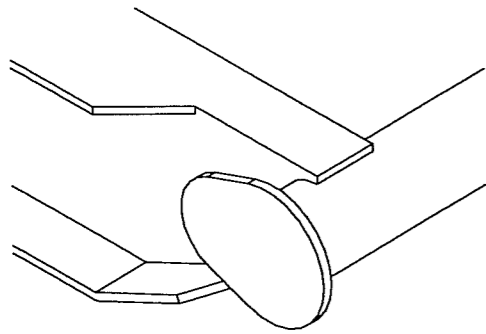
  
**NWP**  
 INDUSTRIES INC.  
ESTABLISHED 1978  
 P.O. BOX 6280, INNISFAIR, AB T4G 1S9  
 PH (403) 227-4100 FAX (403) 227-4102  
 www.nwp.ca

THIS DRAWING IS PROPERTY OF NWP INDUSTRIES INC. AND MAY NOT BE REPRODUCED WITHOUT PERMISSION. THIS DRAWING MUST BE RETURNED UPON REQUEST.

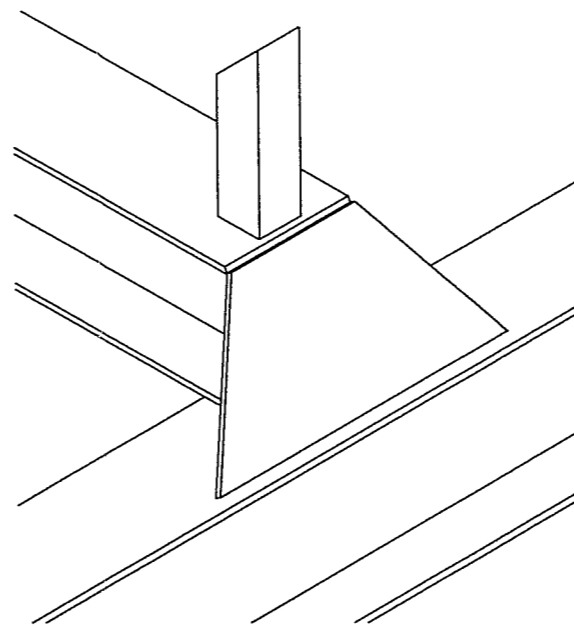
16' x 7' LINE HEATER SKID  
SUITS Ø42" x 12' LINE HEATER

SCALE 3/8" : 1'  
SHEET 1/2

DWG 05835-3  
REV 0

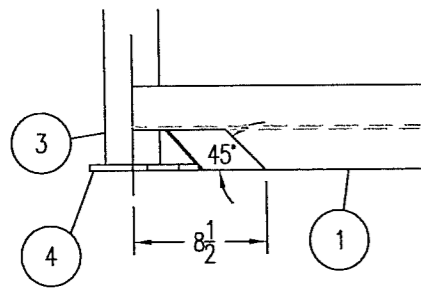


ROLL END DETAIL  
ISOMETRIC VIEW  
N.T.S.

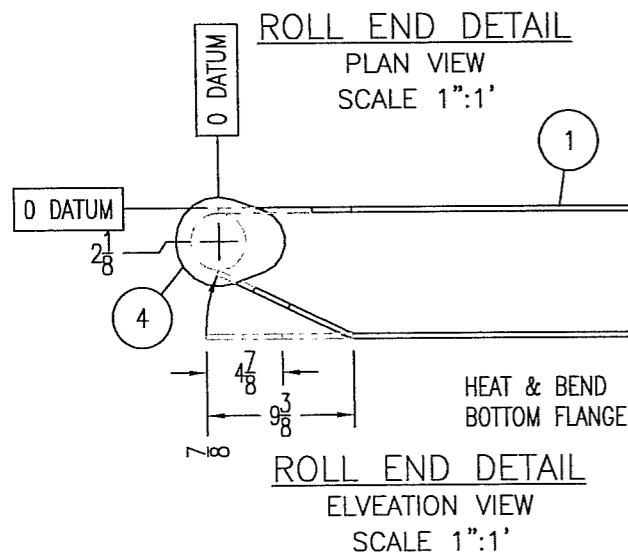


CROSS MEMEBER DETAIL  
ISOMETRIC VIEW  
N.T.S.

BILL OF MATERIALS					
ITEM	QTY.	DESCRIPTION	LENGTH (IN)	MATERIAL	PART#
1	2	WIDE FLANGE, W8 x 18 MAIN BEAM	241.75	44W	358368
2	2	WIDE FLANGE, W6 x 15 CROSS MEMBER	82.5	44W	193742
3	2	3" TUBING	83.25	RANGE 2 ERW	096559
4	4	ROLL END TEAR DROP, 0.25" PL	5.5 x 7	SA-36	207052
5	4	CROSS MEMBER GUSSET, 0.25" PL	8	SA-36	742597
6	2	ANGLE IRON 2x2x0.25	8	SA-36	742597

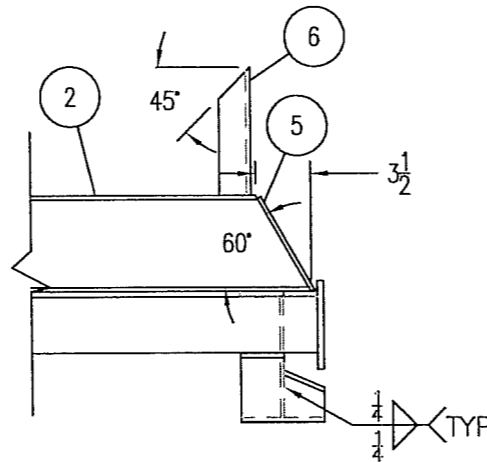


ROLL END DETAIL  
PLAN VIEW  
SCALE 1":1'

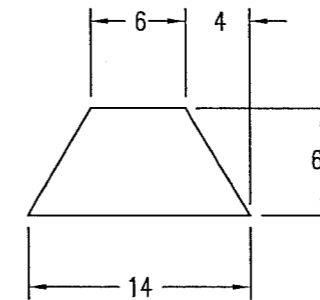


ROLL END DETAIL  
ELVEATION VIEW  
SCALE 1":1'

HEAT & BEND  
BOTTOM FLANGE



CROSS MEMBER DETAIL  
RIGHT SIDE VIEW  
SCALE 1":1'



ITEM#5 DETAIL  
SCALE 1":1'

**AS BUILT  
ORIGINAL**

GENERAL NOTES:

1. ALL DIMENSIONS ARE IN INCHES UNLESS OTHERWISE SPECIFIED
2. ALL DIMENSIONS TO HAVE A TOLERANCE OF  $\pm 1/8$ " UNLESS OTHERWISE SPECIFIED
3. ALL FULL DEPTH MEMBERS TO BE FLUSH ON TOP
4. ALL WELDS TO BE  $1/4$ " CONTINUOUS FILLET WELDS UNLESS OTHERWISE NOTED
5. RADIUS ALL SHARP EDGES
6. PAINT: CLOVERDALE CLOVACOAT 300 EPOXY WARM GRAY

DOCUMENT NO.	DESCRIPTION	REV	DATE	BY	CHK	APP	DRAWING REVISIONS
		0	2008.03.12	PNC		<i>[Signature]</i>	ISSUED FOR CONSTRUCTION

**NWP INDUSTRIES INC.**  
P.O. BOX 6280, INNISFAIL, AB T4G 1S9  
PH (403) 227-4100 FAX (403) 227-4102  
www.nwp.ca

16' x 7' LINE HEATER SKID  
SUITS  $\phi 42$ " x 12' LINE HEATER

SCALE 1" = 1'  
SHEET 2/2

DWG 05835-3  
REV 0