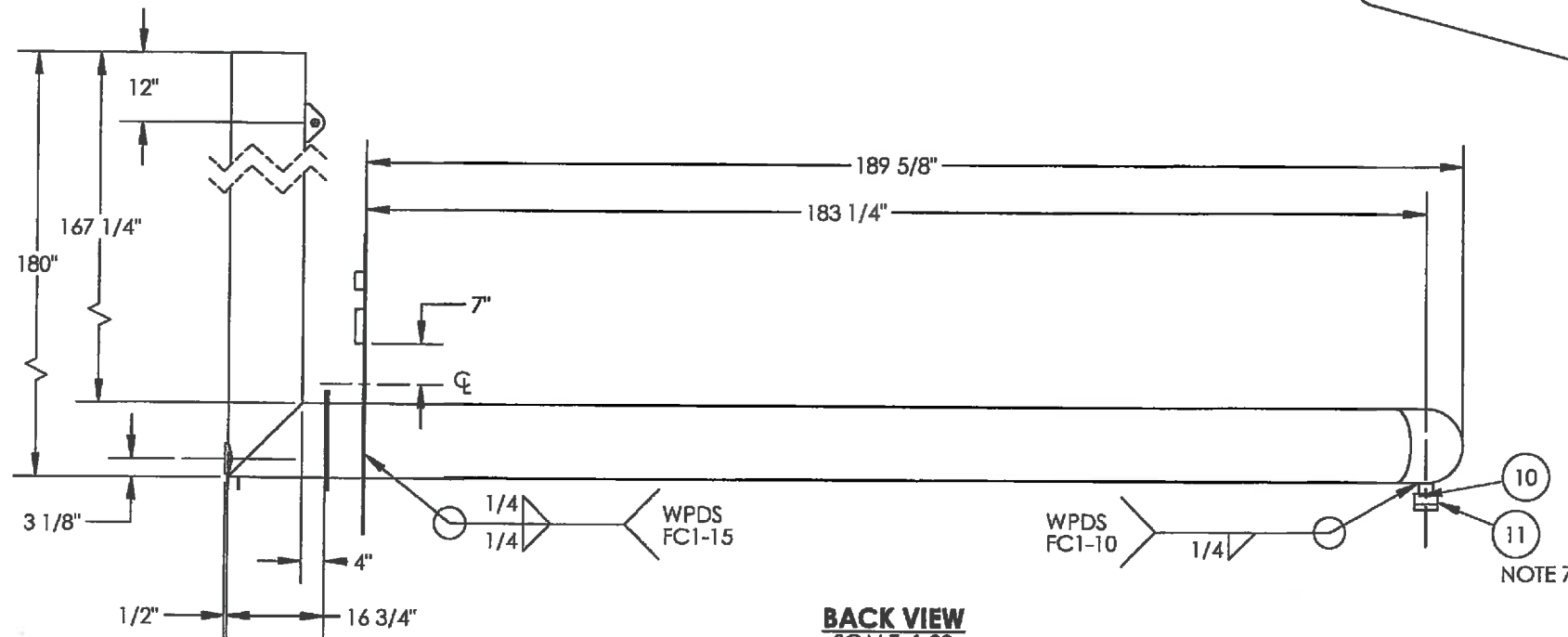
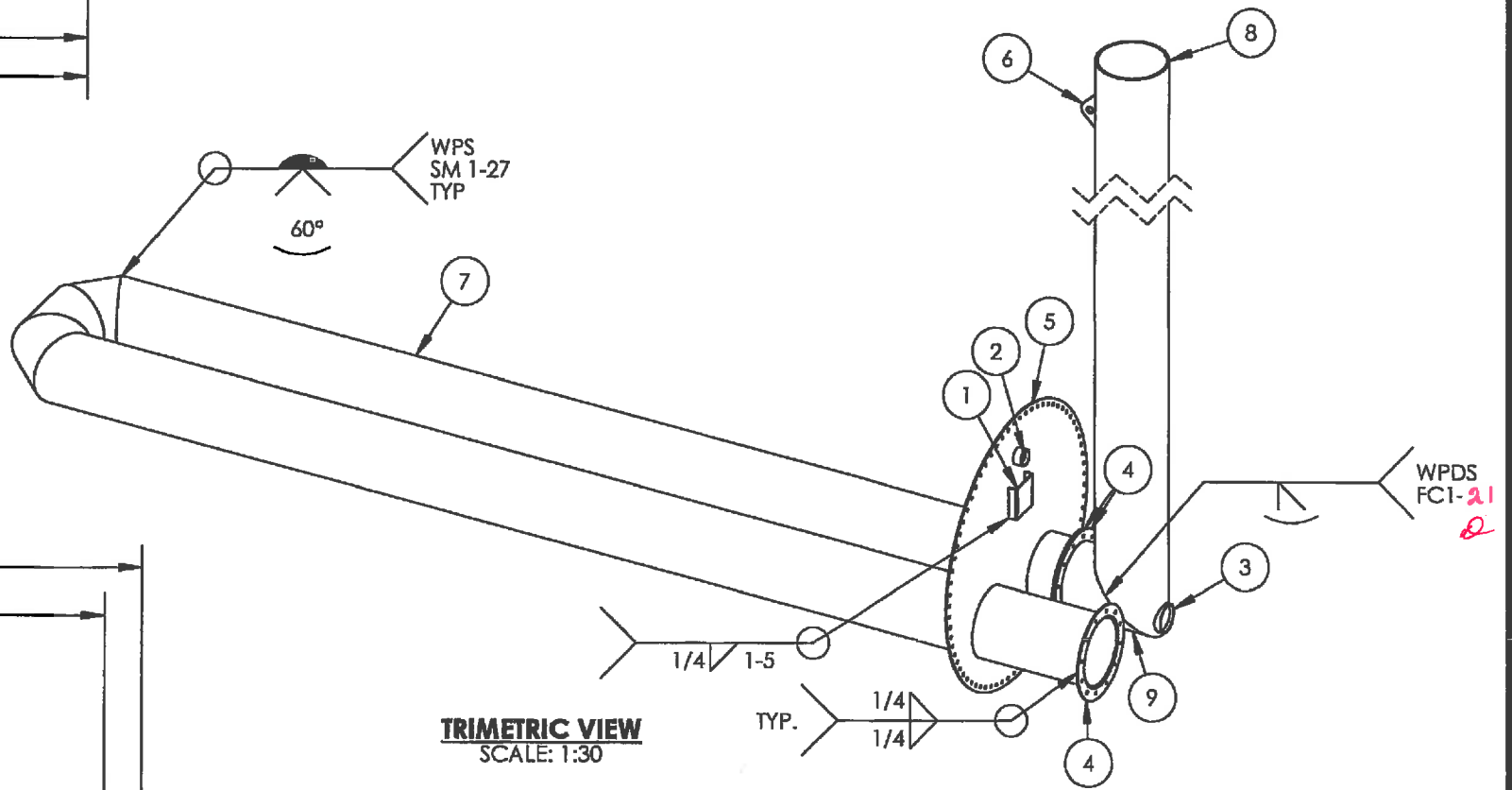


PLAN VIEW
SCALE: 1:30



BACK VIEW
SCALE: 1:30



TRIMETRIC VIEW
SCALE: 1:30

ITEM	PART #	DESCRIPTION	MTR #	LENGTH	QTY.
1	BRACKET-NAME-1	TANK/VESSEL NAME PLATE BRACKET			1
2	COH2GYEE	COUPLING HALF 2" 3M THRD SA 105N			1
3	COR4YSTDEH	COUPLING 4" RECESSED STEEL STD THRD			1
4	LH-FLA-12.25	LH FLANGE 12" x 1/4" THK			3
5	LH-PLATE-FIR4212	LINEHEATER FIRETUBE END PLATE 42" BATH x 12" FIRETUBE			1
6	LL-D63A	LIFT LUG 3/8" x 6 5/8" x 3 3/8" SA36/44W			1
7	PIP12STDE	PIPE 12" SCH STD SA53 ERW		429 3/8"	1
8	PIP12STDE	PIPE 12" SCH STD SA53 ERW		180"	1
9	PIP12STDE	PIPE 12" SCH STD SA53 ERW		16 3/4"	1
10	PIP280A	PIPE 2" SCH XH/80 SA 106B		3 3/8"	1
11	SLIDER-1	TANK SLIDER BLOCK ASSEMBLY			1

ORIGINAL

- NOTES**
- FABRICATE TO CSA W47.1 AND W59.
 - ALL DIMENSIONS TO HAVE A TOLERANCE OF $\pm 1/8"$ UNLESS OTHERWISE SPECIFIED.
 - DEBURR AND RADIUS ALL SHARP EDGES.
 - WELD PROCESS TO BE MCAW UNLESS OTHERWISE NOTED. WPDS-FC1-15, FC1-10.
 - ALL WELDS TO BE 1/4" CONTINUOUS FILLET WELDS UNLESS OTHERWISE NOTED.
 - 24 oz. PNEUMATIC TEST REQUIRED.
 - PIPE LENGTH TO BE VERIFIED PRIOR TO PLACEMENT OF FIRETUBE IN BATH.

AS BUILT

ISSUED FOR CONSTRUCTION

SIGNED: *[Signature]*
DATE: JAN 29 2012
W.O.: 8664-001-B



P.O. BOX 6280, INNISFAIL, AB T4G 1S9
PH: (403) 227-4100 FAX: (403) 227-4102

NWP INDUSTRIES INC
LINEHEATER FIRETUBE/STACK
12 3/4" OD
STANDARD
ASSEMBLY DRAWING

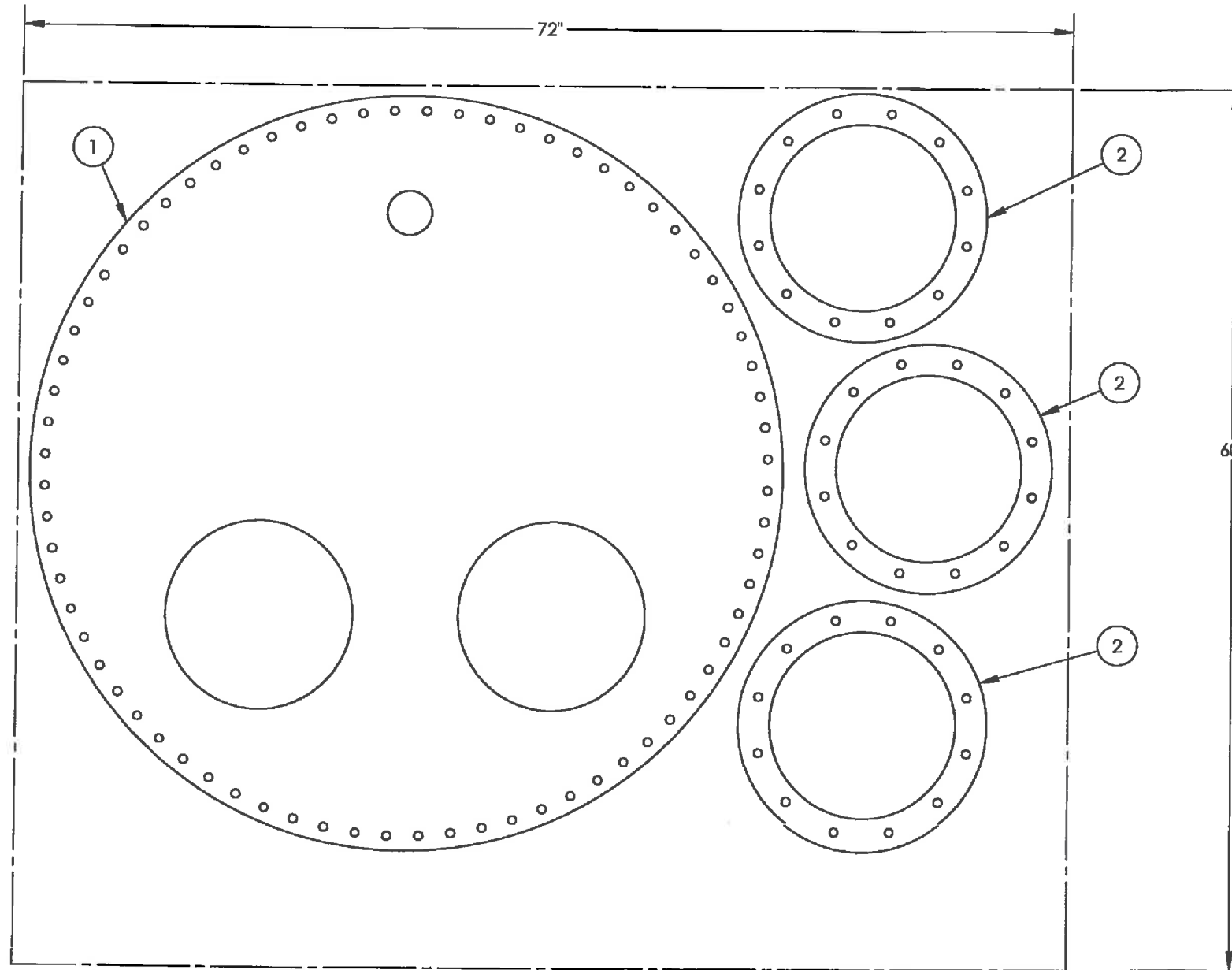
DWN: JHK	CHK: <i>[Signature]</i>	APP: <i>[Signature]</i>
DATE: 2011.03.18	DATE: Apr 17/11	DATE: APR-14-2011
SCALE: 1:30	DWG: LH-FIRSTK-12-1	REV: 0
SHEET: 1 OF 2		

DOCUMENT NO.	DESCRIPTION	REV	DATE	BY	CHK	APP	DRAWING REVISIONS
		0	2011.03.18	JHK	<i>[Signature]</i>	<i>[Signature]</i>	ISSUED FOR CONSTRUCTION
REFERENCE DRAWINGS							

ALL DIMENSIONS IN INCHES

THIS DRAWING IS PROPERTY OF NWP INDUSTRIES INC. AND MAY NOT BE REPRODUCED WITHOUT PERMISSION. THIS DRAWING MUST BE RETURNED UPON REQUEST.

ITEM	PART #	DESCRIPTION	MTR #	LENGTH	QTY.
1	LH-PLATE-FIR4212	LINEHEATER FIRETUBE END PLATE 42" BATH x 12" FIRETUBE			1
2	LH-FLA-12.25	LH FLANGE 12" x 1/4" THK			3



CNC LAYOUT - QTY OF 1
SCALE: 1:10

ORIGINAL

AS BUILT

ISSUED FOR CONSTRUCTION

SIGNED: *[Signature]*
DATE: **JAN 29 2013**
W.O. **8664-001-B**



P.O. BOX 6280, INNISFAIL, AB T4G 1S9
PH: (403) 227-4100 FAX: (403) 227-4102

NWP INDUSTRIES INC
LINEHEATER FIRETUBE/STACK
12 3/4" OD
STANDARD
ASSEMBLY DRAWING

DWN: JHK	CHK: <i>[Signature]</i>	APP: <i>[Signature]</i>
DATE: 2011.03.18	DATE: <i>[Signature]</i>	DATE: APR 14 2011
SCALE: 1:10	DWG: LH-FIRSTK-12-1	REV: 0
SHEET: 2 OF 2		

DOCUMENT NO.	DESCRIPTION	REV	DATE	BY	CHK	APP	DRAWING REVISIONS
		0	2011.03.18	JHK	<i>[Signature]</i>	<i>[Signature]</i>	ISSUED FOR CONSTRUCTION
	REFERENCE DRAWINGS						

S.O.: _____
ALL DIMENSIONS IN INCHES

THIS DRAWING IS PROPERTY OF NWP INDUSTRIES INC.
AND MAY NOT BE REPRODUCED WITHOUT PERMISSION.
THIS DRAWING MUST BE RETURNED UPON REQUEST.