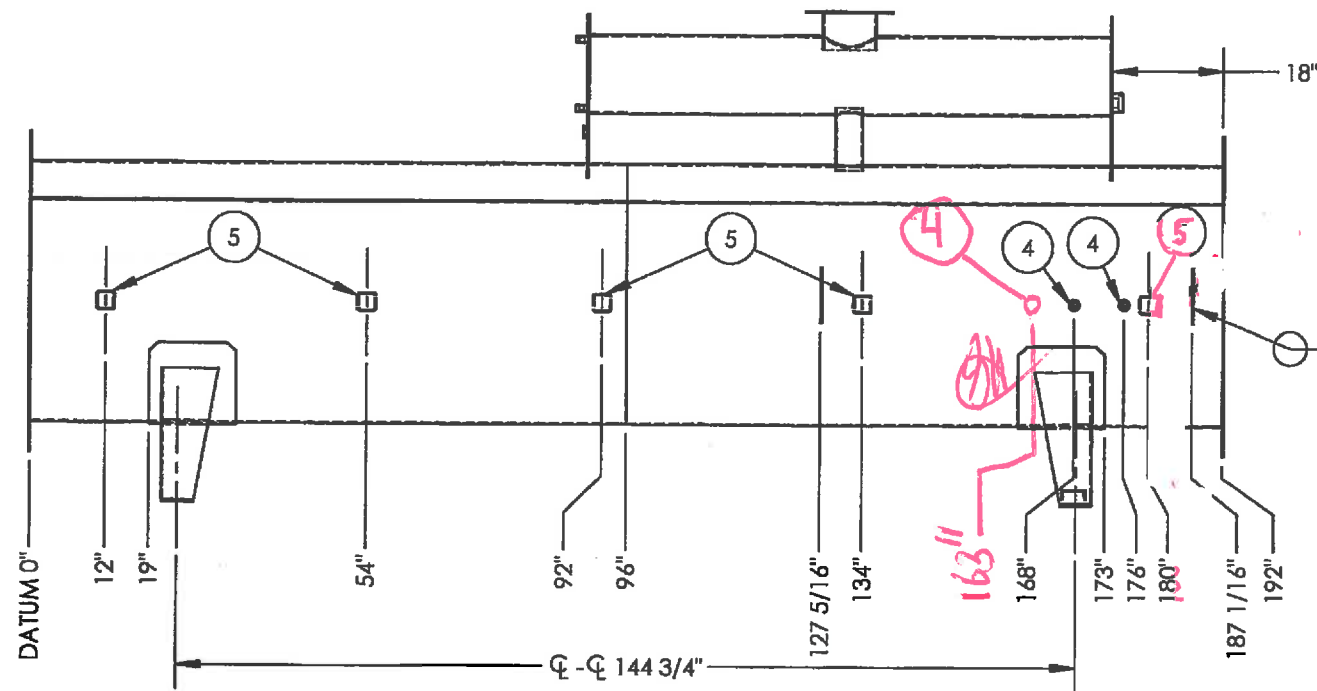


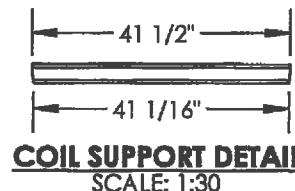
| ITEM | PART # | DESCRIPTION | MTR # | LENGTH | QTY. |
|------|-----------------|--|-------|---------|------|
| 1 | - | SEE EXPANSION TANK DETAIL | | | 1 |
| 2 | - | SEE SADDLE DETAIL | | | 2 |
| 3 | CHA45R | CHANNEL 4" @ 5.4# SA36/44W | | 24 3/4" | 1 |
| 4 | COFIGYEE | COUPLING FULL 1" 3M THRD SA105N | | | 3 |
| 5 | HSSC3A | SQUARE TUBE 1/4" x 3" SA36/44W | | 41 1/2" | 5 |
| 6 | PLAB72144A | PLATE 1/4" x 72" x 144" SA36/44W | | | 2 |
| 7 | LH-PLATE-ENCL42 | LH ENCLOSURE SUPPORT TAB TO FIT 42" OD BATH | | | 2 |
| 8 | LH-SHELL-428.25 | LH BATH SHELL 42" OD x 8' LG x 1/4" THK SA36/44W | | | 2 |



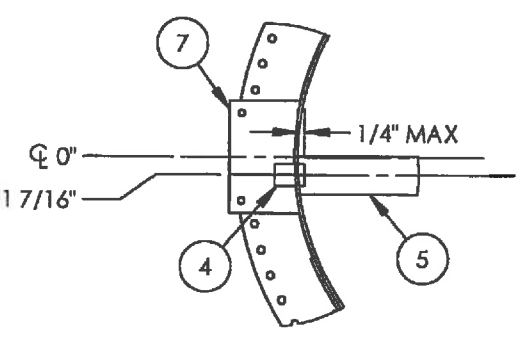
FRONT VIEW
SCALE: 1:30

1/4" 1-3
1/4" 1-3
TYP FOR ENCLOSURE TABS
WPDS FC1-15

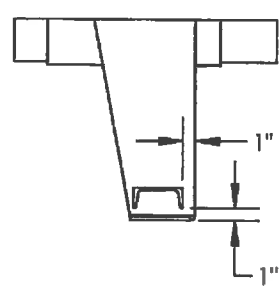
TYP CIRC. SEAMS
AND LONG SEAMS
WPDS FC1-1



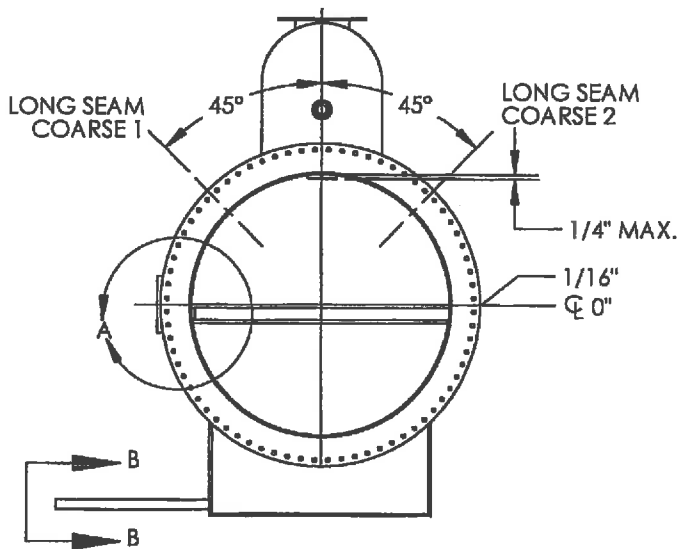
COIL SUPPORT DETAIL
SCALE: 1:30



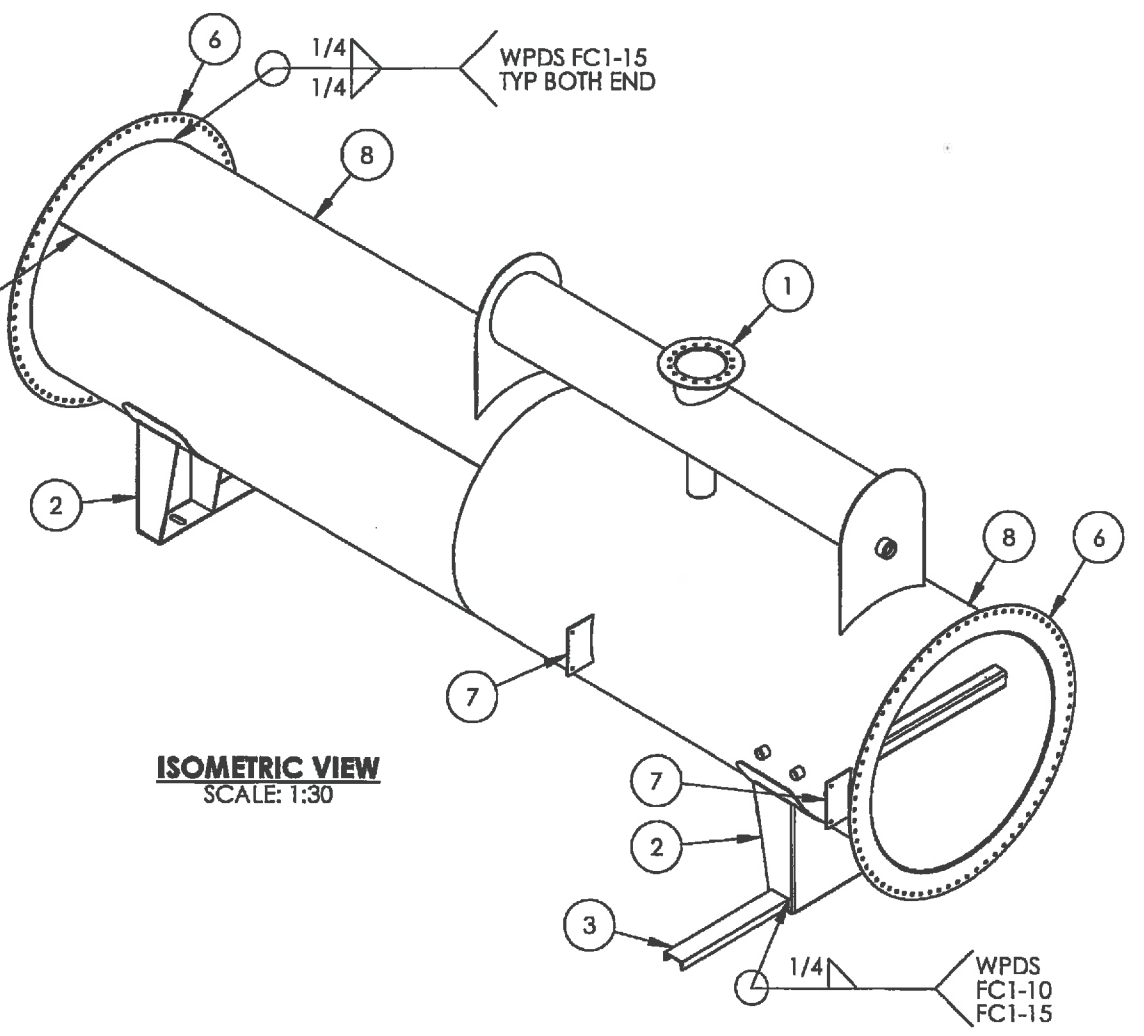
DETAIL 'A'
SCALE: 1:15



SECTION B-B
SCALE: 1:15



END VIEW
SCALE: 1:30



ISOMETRIC VIEW
SCALE: 1:30

ORIGINAL

- NOTES**
- FABRICATE TO CSA W47.1 AND W59.
 - ALL DIMENSIONS TO HAVE A TOLERANCE OF $\pm 1/8"$ UNLESS OTHERWISE SPECIFIED.
 - DEBURR AND RADIUS ALL SHARP EDGES.
 - WELD PROCESS TO BE MCAW UNLESS OTHERWISE NOTED. WPDS-FC1-15, FC1-10.
 - ALL WELDS TO BE 1/4" CONTINUOUS FILLET WELDS UNLESS OTHERWISE NOTED.
 - BOLT HOES TO STRADDLE COMMON CENTERLINE.

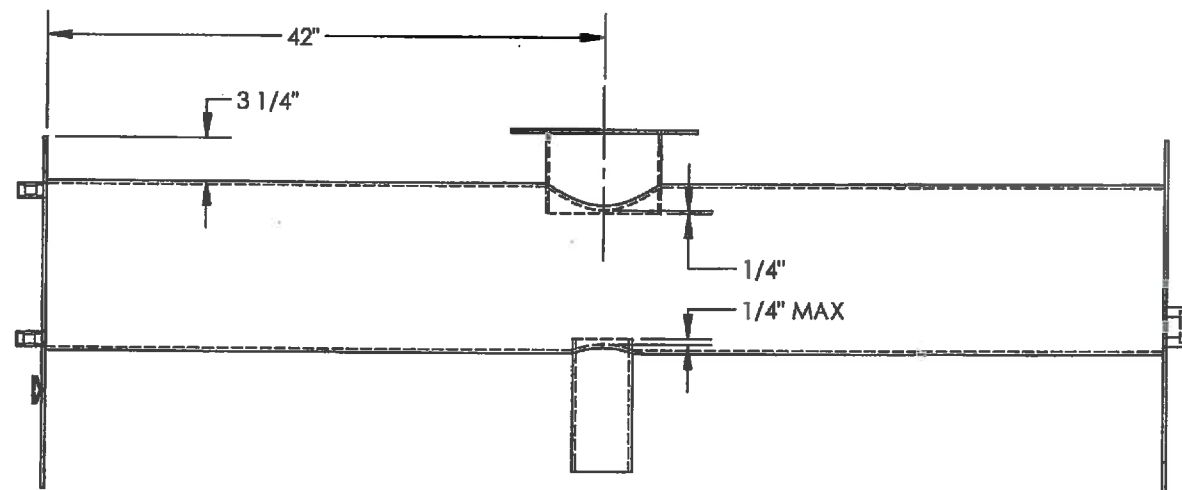
| DOCUMENT NO. | DESCRIPTION | REV | DATE | BY | CHK | APP | DRAWING REVISIONS |
|--------------------|-------------|-----|------------|-----|-----|-----|-------------------------|
| | | 0 | 2011.03.17 | JHK | | | ISSUED FOR CONSTRUCTION |
| REFERENCE DRAWINGS | | | | | | | |

ISSUED FOR CONSTRUCTION
SIGNED: *[Signature]*
DATE: JAN 28 2013
8664-00-1-B
ALL DIMENSIONS IN INCHES

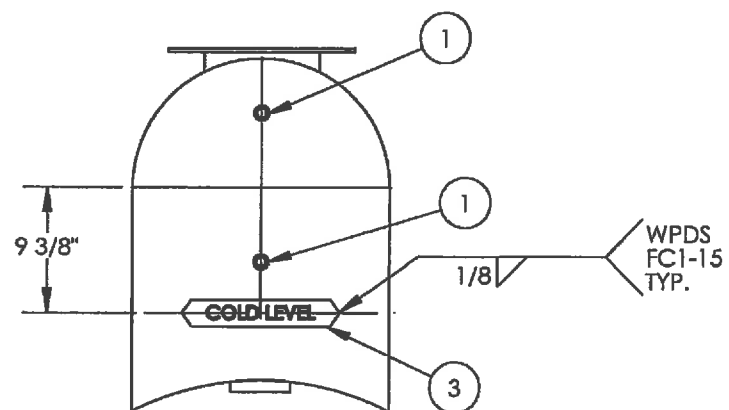
NWP INDUSTRIES INC.
Total oilfield supply.
P.O. BOX 6280, INNISFAIL, AB T4G 1S9
PH: (403) 227-4100 FAX: (403) 227-4102
THIS DRAWING IS PROPERTY OF NWP INDUSTRIES INC. AND MAY NOT BE REPRODUCED WITHOUT PERMISSION. THIS DRAWING MUST BE RETURNED UPON REQUEST.

NWP INDUSTRIES INC
LINEHEATER BATH
42" OD x 16' LONG
ASSEMBLY DRAWING
DWN: JHK
CHK: *[Signature]*
APP: *[Signature]*
DATE: 2011.03.17
DATE: Apr 14/11
DATE: APR-14-2011
SCALE: 1:30
SHEET: 1 OF 4
DWG: LH-4216-BARE
REV: 0

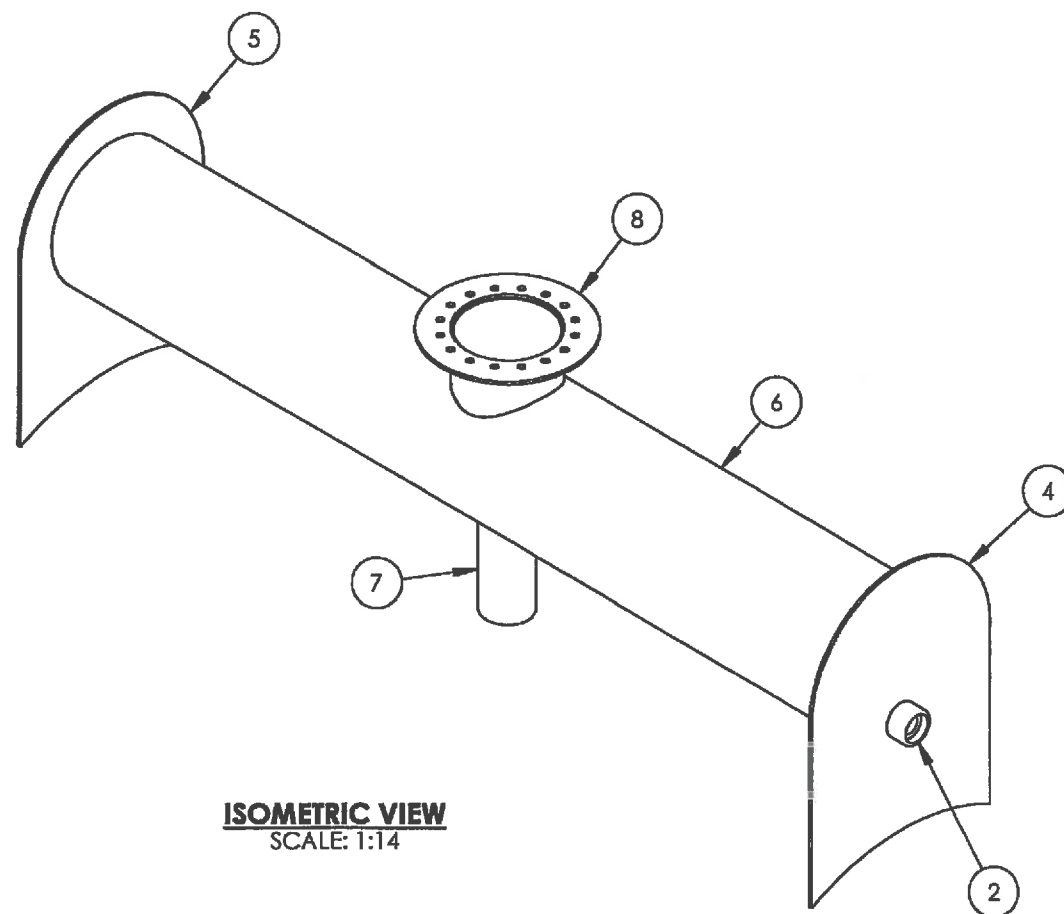
| ITEM | PART # | DESCRIPTION | MTR # | LENGTH | QTY. |
|------|----------------|---|-------|--------|------|
| 1 | COF.5GYEE | COUPLING FULL 1/2" 3M THRD SA105N | | | 2 |
| 2 | COH2GYEE | COUPLING HALF 2" 3M THRD SA105N | | | 1 |
| 3 | COLDLEVEL-1 | LH COLD LEVEL INDICATOR | | | 1 |
| 4 | EXP-END1242-D | EXP. TANK LC END PLATE TO FIT 12 3/4" OD TANK x 42" OD BATH | | | 1 |
| 5 | EXP-END1242-LG | EXP. TANK LG END PLATE TO FIT 12 3/4" OD TANK x 42" OD BATH | | | 1 |
| 6 | PIP12STDE | PIPE 12" SCH STD SA53 ERW | | 80" | 1 |
| 7 | PIP440A | PIPE 4" SCH STD/40 SA106B | | 10" | 1 |
| 8 | THIEFBASE-1 | THIEF HATCH BASE ASSEMBLY 8" OD | | | 1 |



FRONT VIEW
SCALE: 1:14



END VIEW
SCALE: 1:14



ISOMETRIC VIEW
SCALE: 1:14

ORIGINAL

NOTES

- FABRICATE TO CSA W47.1 AND W59.
- ALL DIMENSIONS TO HAVE A TOLERANCE OF $\pm 1/8"$ UNLESS OTHERWISE SPECIFIED.
- DEBURR AND RADIUS ALL SHARP EDGES.
- WELD PROCESS TO BE MCAW UNLESS OTHERWISE NOTED. WPDS-FC1-15, FC1-10.
- ALL WELDS TO BE 1/4" CONTINUOUS FILLET WELDS UNLESS OTHERWISE NOTED.
- BOLT HOLES TO STRADDLE COMMON CENTERLINE.

| DOCUMENT NO. | DESCRIPTION | REV | DATE | BY | CHK | APP | DESCRIPTION |
|--------------|--------------------|-----|------------|-----|-----|-----|-------------------------|
| | | 0 | 2011.03.17 | JHK | | | ISSUED FOR CONSTRUCTION |
| | REFERENCE DRAWINGS | | | | | | DRAWING REVISIONS |


ISSUED FOR CONSTRUCTION

SIGNED: *[Signature]*

DATE: **JAN 29 2013**

NO. **8664-001-B**

ALL DIMENSIONS IN INCHES



NWP
INDUSTRIES INC.
Total oilfield supply.

P.O. BOX 6280, INNISFAIL, AB T4G 1S9
PH: (403) 227-4100 FAX: (403) 227-4102

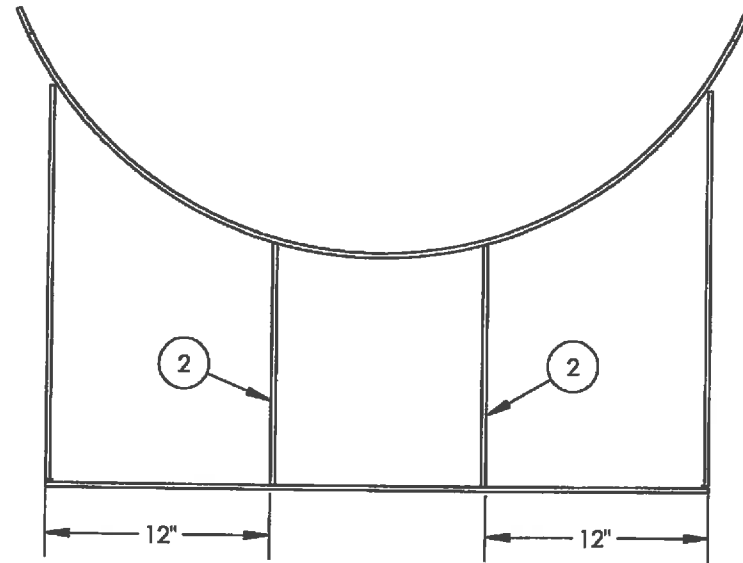
THIS DRAWING IS PROPERTY OF NWP INDUSTRIES INC. AND MAY NOT BE REPRODUCED WITHOUT PERMISSION. THIS DRAWING MUST BE RETURNED UPON REQUEST.

NWP INDUSTRIES INC
LINEHEATER BATH
42" OD x 16' LONG

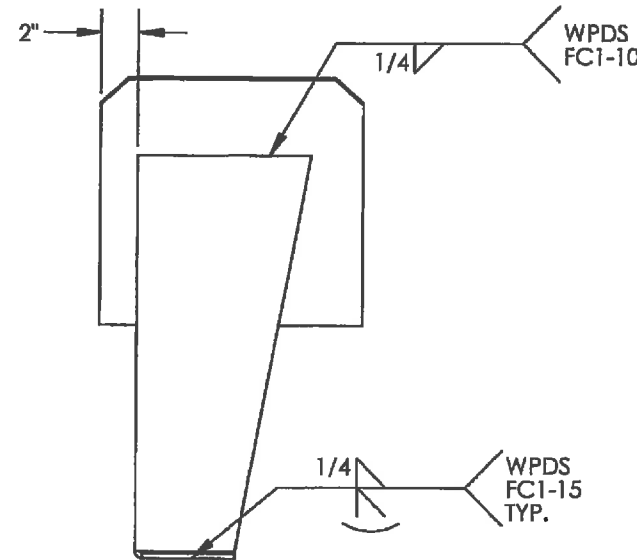
ASSEMBLY DRAWING

| | | |
|------------------|--------------------------|--------------------------|
| DWN: JHK | CHK: <i>[Signature]</i> | APP: <i>[Signature]</i> |
| DATE: 2011.03.17 | DATE: Apr 14/11 | DATE: Apr 14/2011 |
| SCALE: 1:14 | DWG: LH-4216-BARE | |
| SHEET: 2 OF 4 | REV: 0 | |

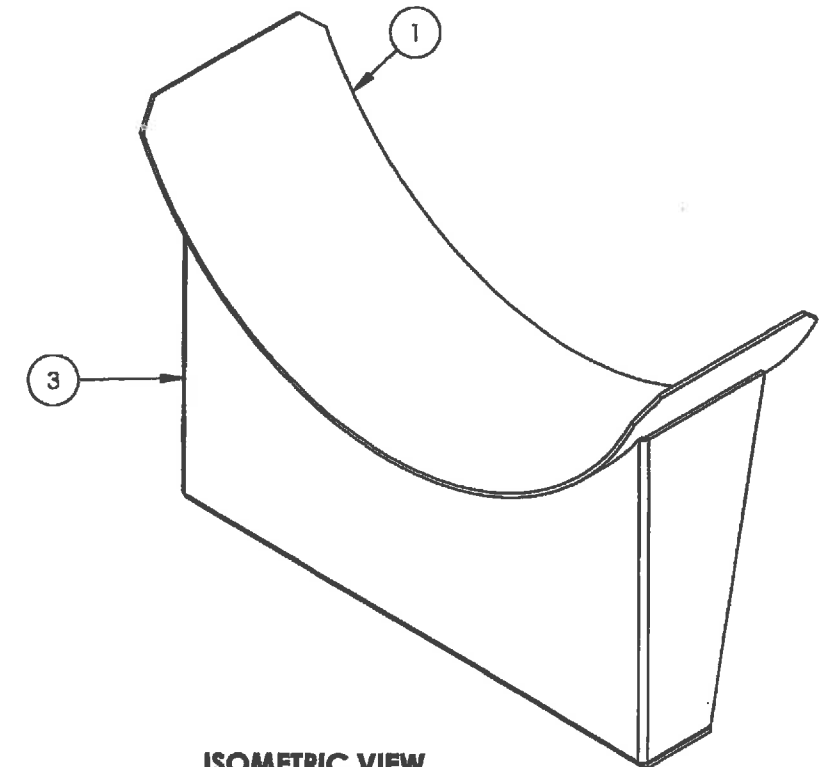
| ITEM | PART # | DESCRIPTION | MTR # | LENGTH | QTY. |
|------|-----------------|---------------------------------|-------|---------|------|
| 1 | LHSAD42-WEAR | LH SADDLE WEAR PLATE FOR 42" OD | | 49 3/4" | 1 |
| 2 | LHSAD42-SUPPORT | LH SADDLE SUPPORT FOR 42" OD | | | 2 |
| 3 | LHSAD42-PLATE | LH SADDLE PLATE FOR 42" OD | | | 1 |



BACK VIEW
SCALE: 1:10



SIDE VIEW
SCALE: 1:10



ISOMETRIC VIEW
SCALE: 1:10

ORIGINAL

NOTES

- FABRICATE TO CSA W47.1 AND W59.
- ALL DIMENSIONS TO HAVE A TOLERANCE OF $\pm 1/8"$ UNLESS OTHERWISE SPECIFIED.
- DEBURR AND RADIUS ALL SHARP EDGES.
- WELD PROCESS TO BE MCAW UNLESS OTHERWISE NOTED. WPDS-FC1-15, FC1-10.
- ALL WELDS TO BE 1/4" CONTINUOUS FILLET WELDS UNLESS OTHERWISE NOTED.

| DOCUMENT NO. | DESCRIPTION | REV | DATE | BY | CHK | APP | DESCRIPTION |
|--------------|--------------------|-----|------------|-----|-------------|-------------|-------------------------|
| | | 0 | 2011.03.17 | JHK | [Signature] | [Signature] | ISSUED FOR CONSTRUCTION |
| | REFERENCE DRAWINGS | | | | | | DRAWING REVISIONS |

ISSUED FOR CONSTRUCTION


SIGNED: [Signature]

DATE: **JAN 29 2013**

W.O.: **8664-001-B**

SN: [Signature]

ALL DIMENSIONS IN INCHES



NWP
INDUSTRIES INC.
Total oilfield supply.

P.O. BOX 6280, INNISFAIL, AB T4G 1S9
PH: (403) 227-4100 FAX: (403) 227-4102

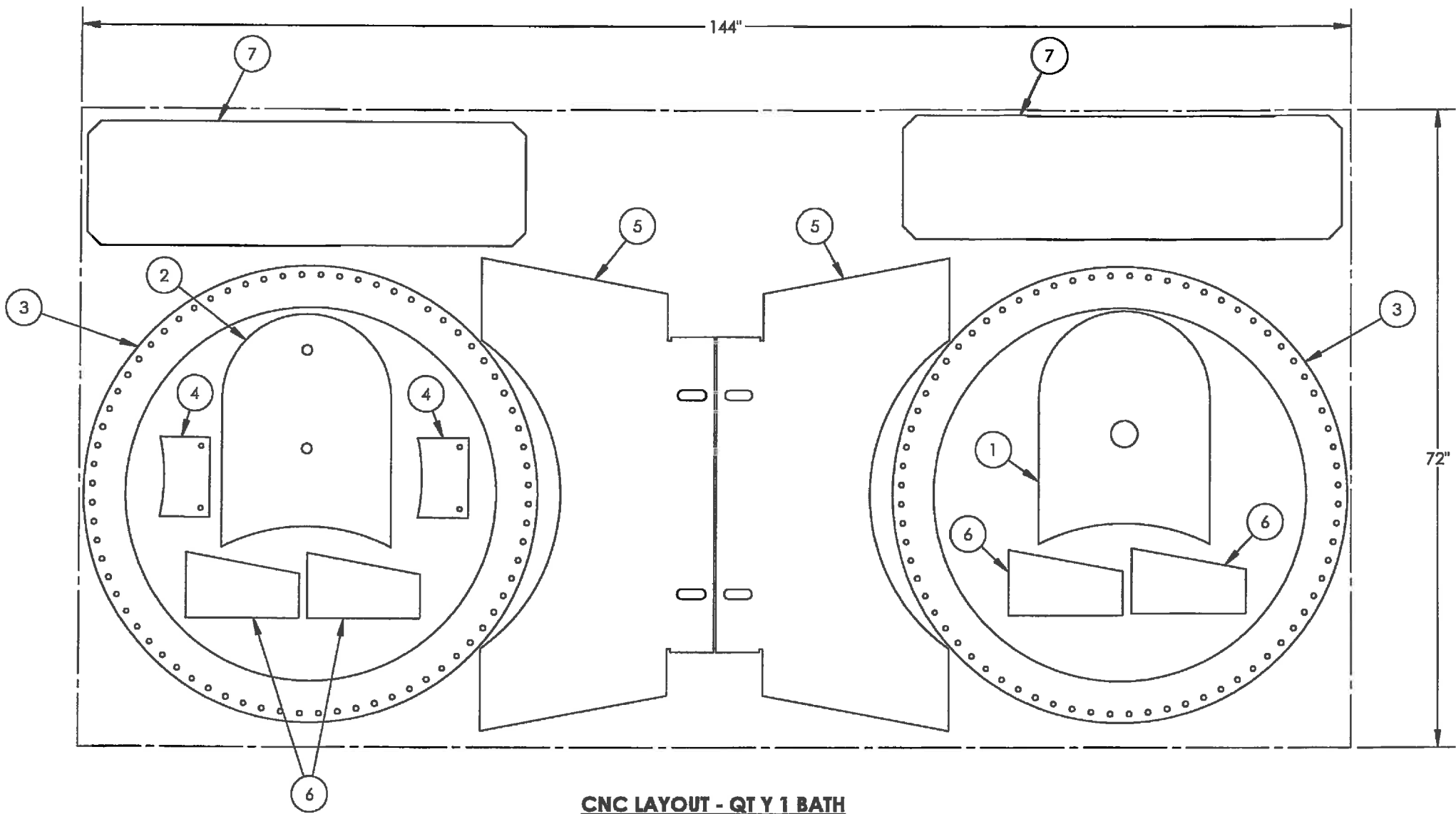
THIS DRAWING IS PROPERTY OF NWP INDUSTRIES INC. AND MAY NOT BE REPRODUCED WITHOUT PERMISSION. THIS DRAWING MUST BE RETURNED UPON REQUEST.

NWP INDUSTRIES INC
LINEHEATER BATH
42" OD x 16' LONG

ASSEMBLY DRAWING

| | | |
|------------------|--------------------------|--------------------------|
| DWN: JHK | CHK: [Signature] | APP: [Signature] |
| DATE: 2011.03.17 | DATE: Apr 14/11 | DATE: APR-14-2011 |
| SCALE: 1:10 | DWG: LH-4216-BARE | |
| SHEET: 3 OF 4 | REV: 0 | |

| ITEM | PART # | DESCRIPTION | MTR # | LENGTH | QTY. |
|------|-----------------|---|-------|--------|------|
| 1 | EXP-END1242-D | EXP. TANK LC END PLATE TO FIT 12 3/4" OD TANK x 42" OD BATH | | | 1 |
| 2 | EXP-END1242-LG | EXP. TANK LG END PLATE TO FIT 12 3/4" OD TANK x 42" OD BATH | | | 1 |
| 3 | LH-FLA-42.25 | LH FLANGE 42" OD 1/4" THK | | | 2 |
| 4 | LH-PLATE-ENCL42 | LH ENCLOSURE SUPPORT TAB TO FIT 42" OD BATH | | | 2 |
| 5 | LHSAD42-PLATE | LH SADDLE PLATE FOR 42" OD | | | 2 |
| 6 | LHSAD42-SUPPORT | LH SADDLE SUPPORT FOR 42" OD | | | 4 |
| 7 | LHSAD42-WEAR | LH SADDLE WEAR PLATE FOR 42" OD | | | 2 |



CNC LAYOUT - QTY 1 BATH
SCALE: 1:15

ORIGINAL

NOTES

1. HEAT NUMBER TO BE CLEARLY MARKED ON EACH PIECE WITH PAINT PEN AS A MINIMUM.
2. ALL DOCUMENTATION MUST ACCOMPANY SHIPMENT OF PARTS IF PART IS OUTSOURCED.
3. ALL DIMENSIONS TO HAVE A TOLERANCE OF $\pm 1/8"$ UNLESS OTHERWISE SPECIFIED.
4. DEBURR AND RADIUS ALL SHARP EDGES.

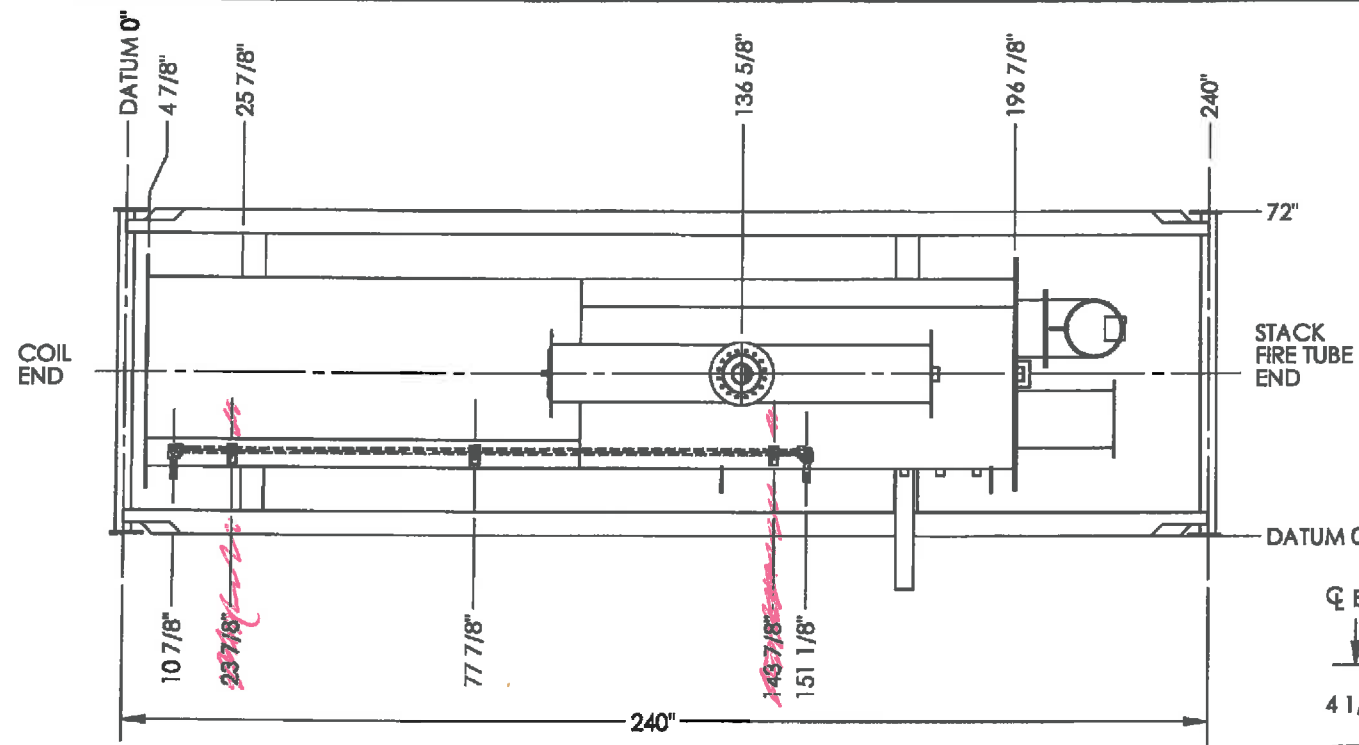
| DOCUMENT NO. | DESCRIPTION | REV | DATE | BY | CHK | APP |
|--------------------|-------------|-----|------------|-----|--------------------|-------------------------|
| | | 0 | 2011.03.17 | JHK | <i>[Signature]</i> | ISSUED FOR CONSTRUCTION |
| REFERENCE DRAWINGS | | | | | | |
| DRAWING REVISIONS | | | | | | |

ISSUED FOR CONSTRUCTION
SIGNED: *[Signature]*
DATE: JAN 28 2013
W.O.: 8664-00 1-B
S.N.: _____
ALL DIMENSIONS IN INCHES

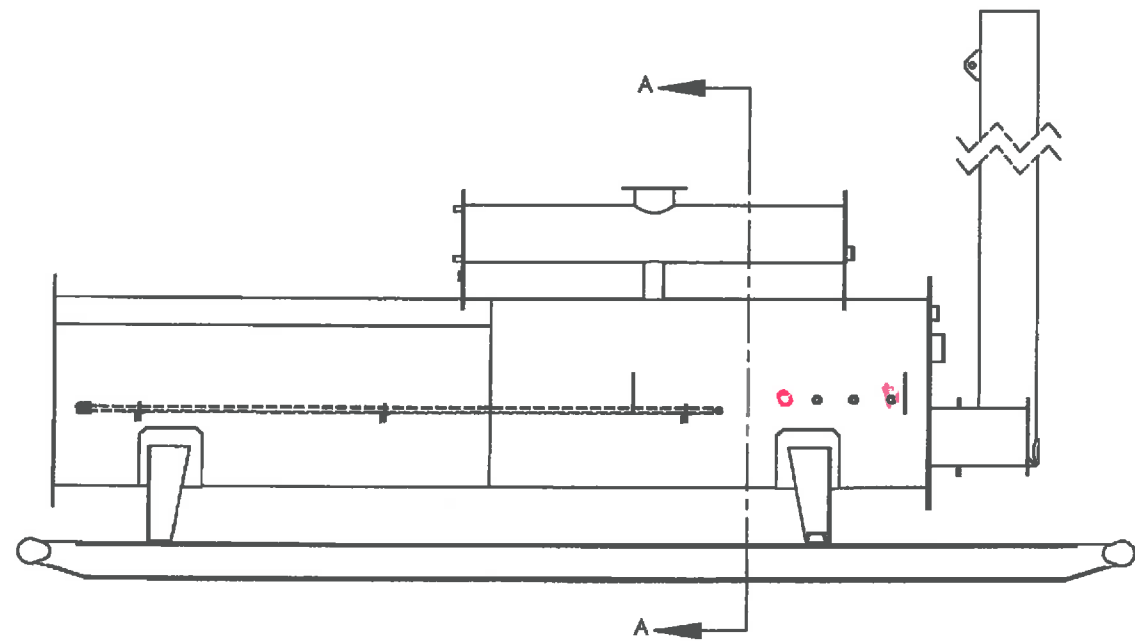
NWP INDUSTRIES INC.
Total oilfield supply.
P.O. BOX 6280, INNISFAIL, AB T4G 1S9
PH: (403) 227-4100 FAX: (403) 227-4102
THIS DRAWING IS PROPERTY OF NWP INDUSTRIES INC. AND MAY NOT BE REPRODUCED WITHOUT PERMISSION. THIS DRAWING MUST BE RETURNED UPON REQUEST.

| | | | |
|---|--------------------------|-------------------------|--|
| NWP INDUSTRIES INC LINEHEATER BATH 42" OD x 16' LONG - ASSEMBLY DRAWING | | | |
| DWN: JHK | CHK: <i>[Signature]</i> | APP: <i>[Signature]</i> | |
| DATE: 2011.03.17 | DATE: <i>[Signature]</i> | DATE: APR 14 2011 | |
| SCALE: 1:15 | DWG: LH-4216-BARE | REV: 0 | |
| SHEET: 4 OF 4 | | | |

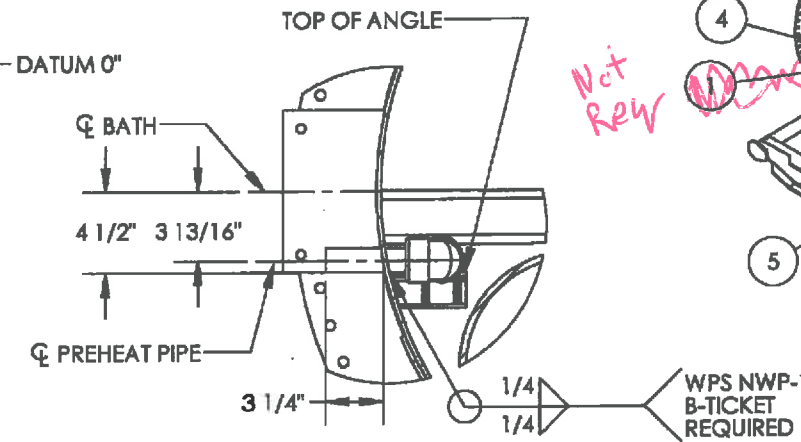
| ITEM | PART # | DESCRIPTION | MTR # | LENGTH | QTY. |
|------|----------------|---|-------|--------|------|
| 1 | ANGC22A | ANGLE IRON 1/4" x 2" x 2" SA36/44W | | 41/4" | 2 |
| 2 | LH-4216-BARE | LH BATH 42" OD x 16' BARE w 12 3/4" OD x 5' EXP. TANK | | | 1 |
| 3 | LH-FIRSTK-12-1 | LH FIRETUBE/STACK 12 3/4" OD FOR 42" OD x 16' BATH | | | 1 |
| 4 | LH-PH-4216-3 | LH PREHEAT PIPING TO FIT 42" OD x 16' BATH | | | 1 |
| 5 | LH-SKID-4216 | LH SKID TO FIT 42" OD x 16' BATH | | | 1 |
| 6 | UBO1.375 | U-BOLT, 1" x 3/8" c/w 4 NUTS FIG 137 | | | 2 |



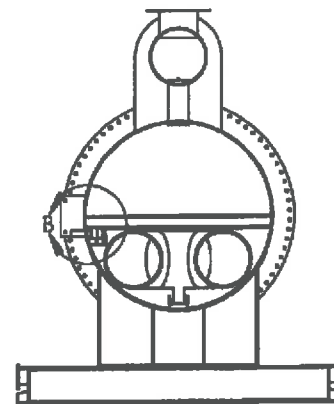
PLAN VIEW
SCALE: 1:40



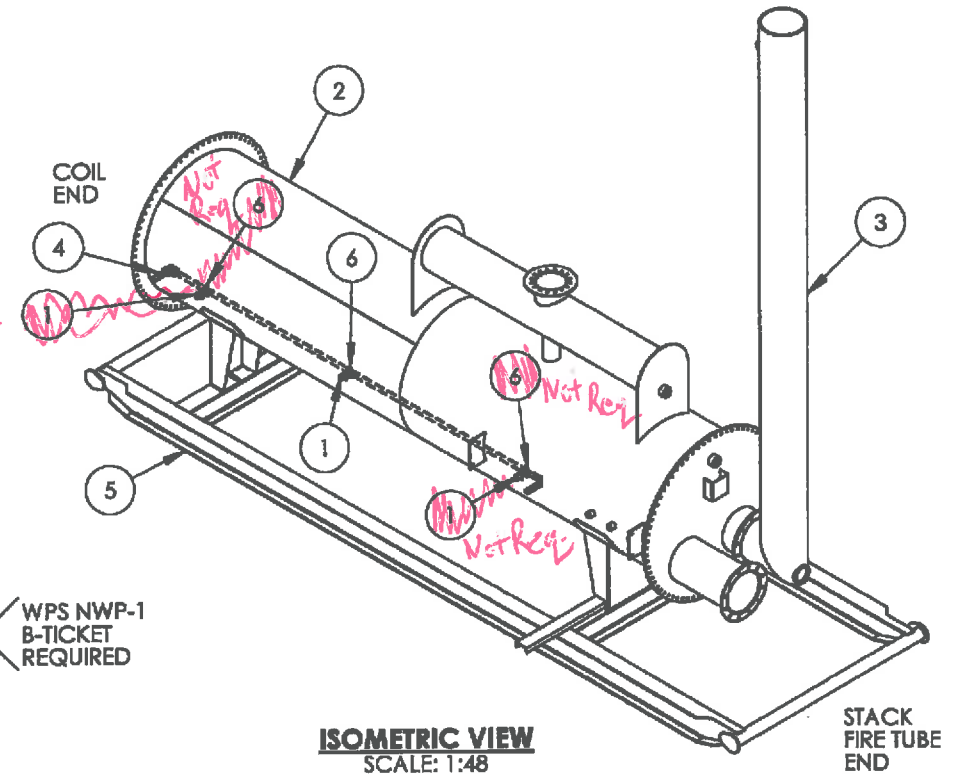
FRONT VIEW
SCALE: 1:40



DETAIL 'B'
SCALE: 1:10



SECTION 'A-A'
SCALE: 1:40



ISOMETRIC VIEW
SCALE: 1:48

ORIGINAL

NOTES

- FABRICATE TO W47.1 AND W59.
- ALL BOLT HOLES STRADDLE VERTICAL CENTER LINE.
- RADIUS ALL SHARP EDGES.
- ALL WELDS TO BE 1/4" CONTINUOUS FILLET WELDS UNLESS OTHERWISE NOTED.
- WELD PROCESS TO BE MCAW UNLESS OTHERWISE NOTED.
- APPROX. WEIGHT: 6200 LBS.

| DOCUMENT NO. | DESCRIPTION | REV | DATE | BY | CHK | APP | DRAWING REVISIONS |
|-----------------|------------------------------------|-----|------------|----|------|------|-------------------------|
| COIL-4216-1 | COIL ASSEMBLY | | | | | | |
| LH-SKID-4216 | SKID ASSEMBLY | | | | | | |
| PKGLH-14216-1-1 | ENCLOSURE DRAWING | | | | | | |
| PKGLH-14216-1-2 | PIPING ASSEMBLY | | | | | | |
| PKGLH-14216-1-1 | PIPING AND INSTRUMENTATION DIAGRAM | | | | | | |
| PKGLH-14216-1 | GENERAL ARRANGEMENT | 0 | 2011.06.28 | DJ | P.A. | P.A. | ISSUED FOR CONSTRUCTION |

ISSUED FOR CONSTRUCTION
 SIGNED: [Signature]
 DATE: JAN 29 2013
 W.O.: 8664-001
 S.O.:
 ALL DIMENSIONS IN INCHES

NWP INDUSTRIES INC.
 Total oilfield supply.
 P.O. BOX 6280, INNISFAIL, AB T4G 1S9
 PH: (403) 227-4100 FAX: (403) 227-4102

THIS DRAWING IS PROPERTY OF NWP INDUSTRIES INC. AND MAY NOT BE REPRODUCED WITHOUT PERMISSION. THIS DRAWING MUST BE RETURNED UPON REQUEST.

| | | |
|---|----------------------|-------------------|
| NWP INDUSTRIES INC. 1.0 MMBTU/HR LINE HEATER PACKAGE 42"OD x 192"LG LINE HEATER c/w 3"-1500# x 3"-1500# SPLIT COILS BATH ASSEMBLY | | |
| DWN: DJ | CHK: P | APP: P.A. |
| DATE: 2011.06.28 | DATE: [Signature] | DATE: [Signature] |
| SCALE: 1:48 | DWG: PKGLH-14216-1-4 | REV: 0 |
| SHEET: 1 OF 1 | | |