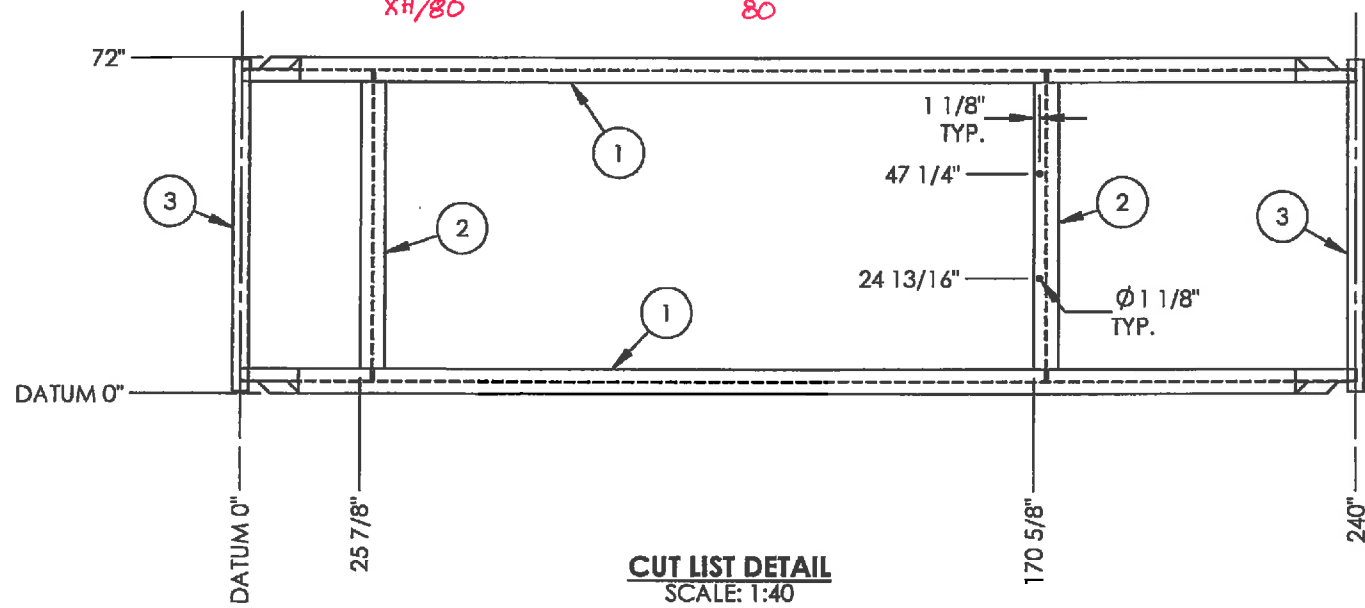
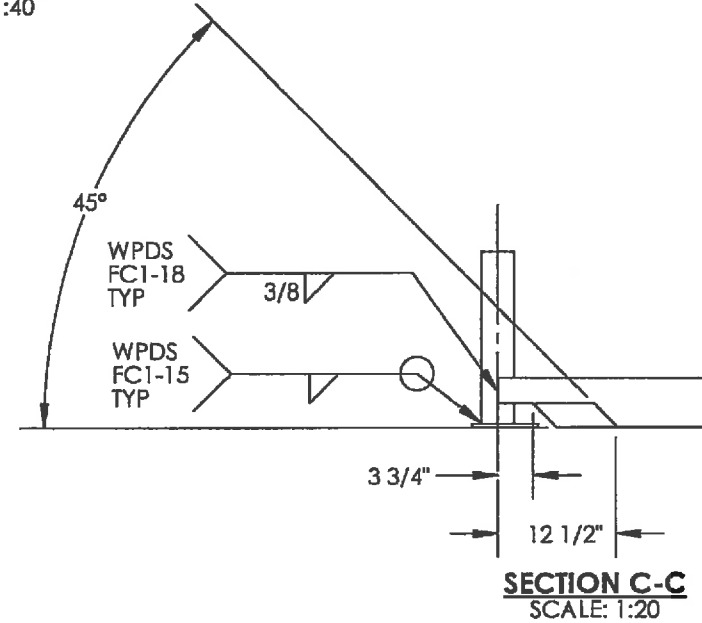
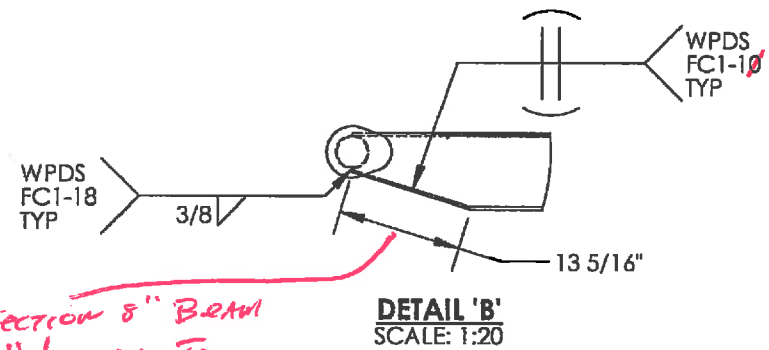
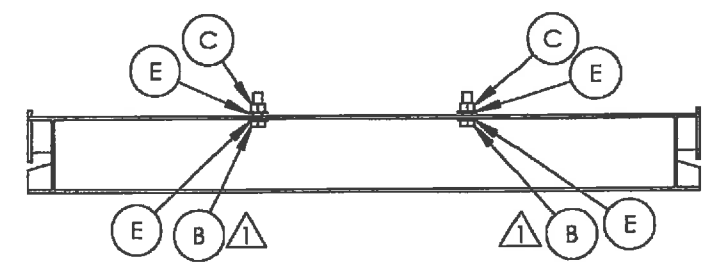
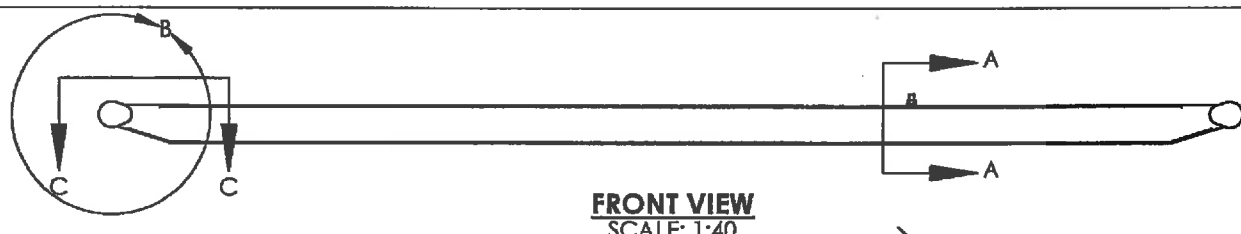
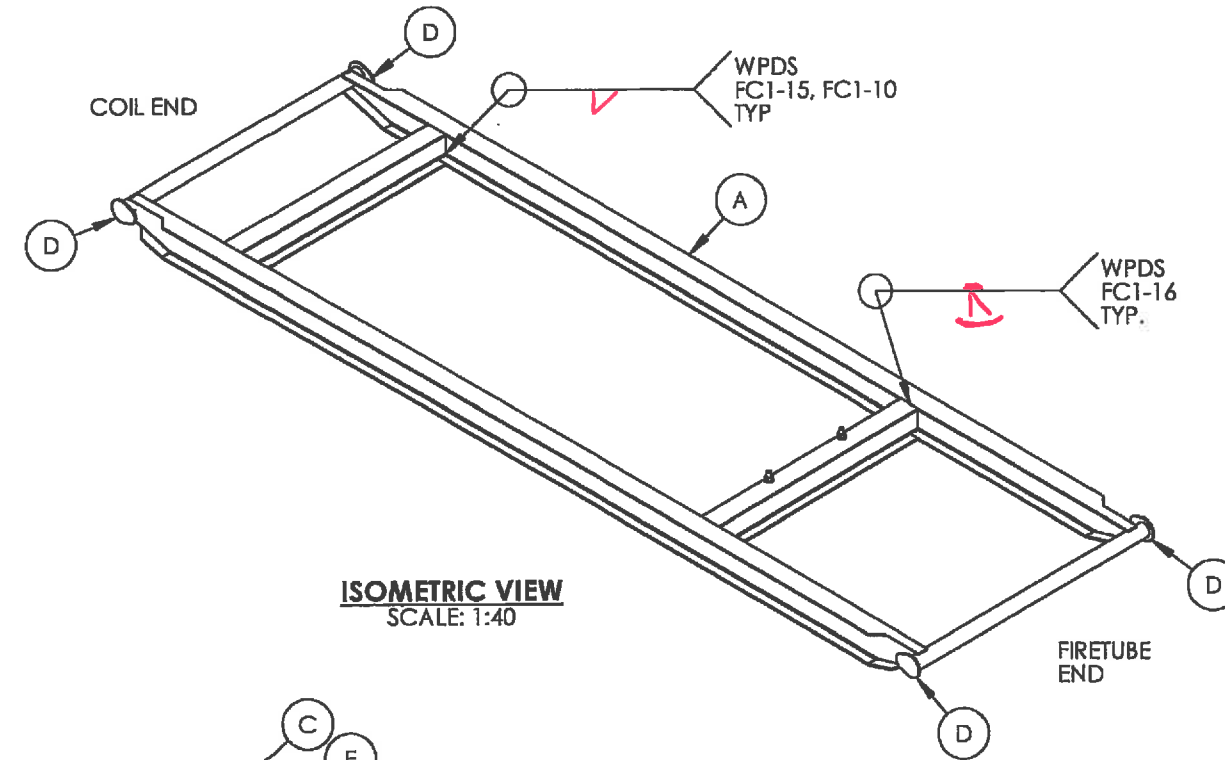


ITEM	QTY.	Description	PART #	LENGTH
1	2	WIDE FLANGE 8" @ 18# SA36/44W	WFL818R	240 1/8" <i>+2"</i>
2	2	WIDE FLANGE 8" @ 18# SA36/44W	WFL818R	66 1/2"
3	2	PIPE 3" SCH STD 40 SA 106B	PIP340A	71 1/4"



ITEM	PART #	DESCRIPTION	MTR #	LENGTH	QTY.
A	-	SEE CUT LIST			1
B	BOL13AAA	BOLT 1" x 3" LG GR. 8 HEX HEAD			2
C	NUT1YAAA	NUT 1" GR. 8 HEX PLATED			2
D	TEARDROP-1	ROLL END TEARDROP 5 1/2" x 4" x 3/8" THK			4
E	WAS1YAYA	FLAT WASHER 1" GR. 8 PLATED			4



*Section 8" Beam
2" Longer to
Adjust for cope.*

- NOTES**
- FABRICATE TO CSA W47.1 AND W59.
 - ALL DIMENSIONS SHALL HAVE A TOLERANCE OF $\pm 1/8''$ UNLESS OTHERWISE SPECIFIED.
 - COPE STRUCTURAL MEMBERS AS REQUIRED.
 - RADIUS ALL SHARP EDGES.
 - ALL WELDS TO BE 1/4" CONTINUOUS FILLET WELDS UNLESS OTHERWISE NOTED.
 - SHOP TO VERIFY ALL I-BEAM CUT LENGTHS PRIOR TO SECTIONING BEAMS.
 - WELD PROCESS TO BE MCAW UNLESS OTHERWISE NOTED. WPDS FC1-15.
 - APPROXIMATE WEIGHT: 950 LBS

ORIGINAL

AS BUILT

ISSUED FOR CONSTRUCTION

SIGNED: *[Signature]*
DATE: *JAN 29 2013*
W.O.: **8664-001**



C.P.O. BOX 6280, INNISFAIL, AB T4G 1S9
PH: (403) 227-4100 FAX: (403) 227-4102

NWP INDUSTRIES INC
LINEHEATER SKID

TO FIT 1.0 MMBTU LINEHEATER
SKID ASSEMBLY

DWN: JHK CHK: GH APP: DF
DATE: 2011.04.01 DATE: 2011.04.14 DATE: 2011.04.14

SCALE: 1:40
SHEET: 1 OF 1
DWG: LH-SKID-4216 REV: 1

DOCUMENT NO.	DESCRIPTION	REV	DATE	BY	CHK	APP	DRAWING REVISIONS
		1	2011.08.16	JHK	<i>[Signature]</i>	<i>[Signature]</i>	RFDC #00593 REVISE BOLT SIZE
		0	2011.04.01	JHK	GH	DF	ISSUED FOR CONSTRUCTION

S.O.: _____
ALL DIMENSIONS IN INCHES

THIS DRAWING IS PROPERTY OF NWP INDUSTRIES INC. AND MAY NOT BE REPRODUCED WITHOUT PERMISSION. THIS DRAWING MUST BE RETURNED UPON REQUEST.