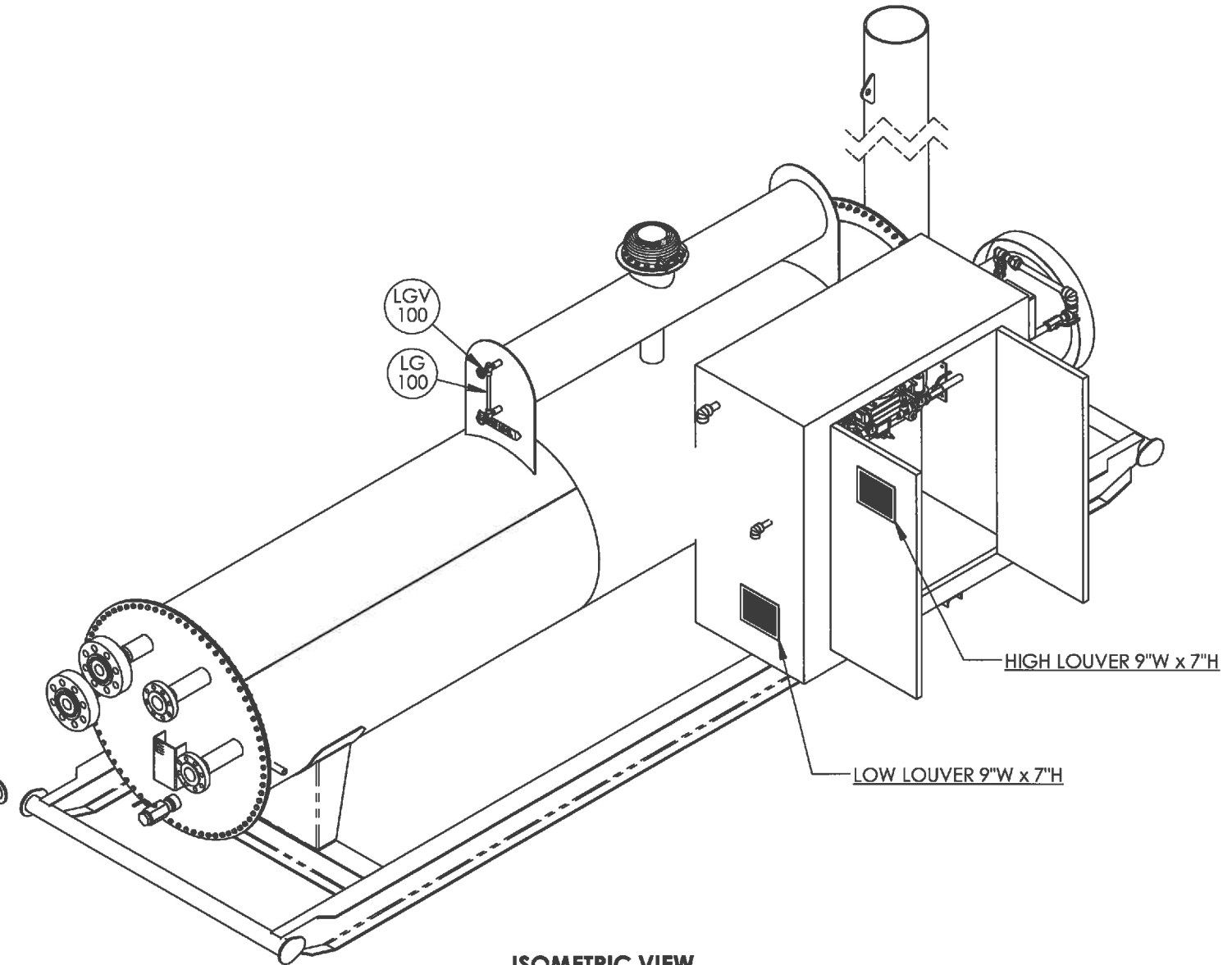


ISOMETRIC VIEW
SCALE: 1:30



ISOMETRIC VIEW
SCALE: 1:30

ORIGINAL

- NOTES**
- 24 oz. PNEUMATIC TEST REQUIRED ON SHELL & FIRETUBE.
 - PIPE SUPPORTS WHERE REQUIRED.
 - SHIP LOOSE ITEMS TO BE BOXED AND SEALED PRIOR TO SHIPMENT.
 - PLUG ALL OUTLETS PRIOR TO SHIPMENT.
 - LOUVERS MUST BE LOCATED AS SHOWN IN THIS ORIENTATION.

SHIPPING DATA	
OVERALL HEIGHT	7'-9 5/16"
OVERALL LENGTH	20'-11 5/8"
OVERALL WIDTH	6'-11 13/16"
APPROX. WEIGHT	9900 LBS

LINEHEATER DESIGN DATA	
HEAT MEDIUM REQUIREMENT:	142.5 cu.ft.
PAINT:	INSULATED - (1) COAT CLOVERDALE CLOVACOAT UNINSULATED - (2) COATS CLOVERDALE CLOVACOAT 300 EPOXY ENAMEL, WARM GREY STACK - HIGH HEAT BLACK
SURFACE PREPARATION:	SSPC-SP7-63 (BRUSH BLAST)
INSULATION:	1 1/2" MICROFLEX w/ 0.020 STUCCO EMBOSSED ALUMINUM TACKER c/w SS BANDING

LH-SKID-4126	SKID ASSEMBLY
PKGLH-14216-1-11	ENCLOSURE DRAWING
PKGLH-14216-1-6	BATH ASSEMBLY
08664-001-C-001	COIL ASSEMBLY
08664-001-P-001	PIPING AND INSTRUMENTATION DIAGRAM
DOCUMENT NO.	DESCRIPTION
REFERENCE DRAWINGS	

REV.	DATE	BY:	CHK:	APP:	DESCRIPTION
0	JAN 29/13	MJH	sb		ISSUED FOR CONSTRUCTION
DRAWING REVISIONS					

ISSUED FOR CONSTRUCTION

SIGNED: _____
 DATE: _____
 W.O.: _____
 S/N: _____

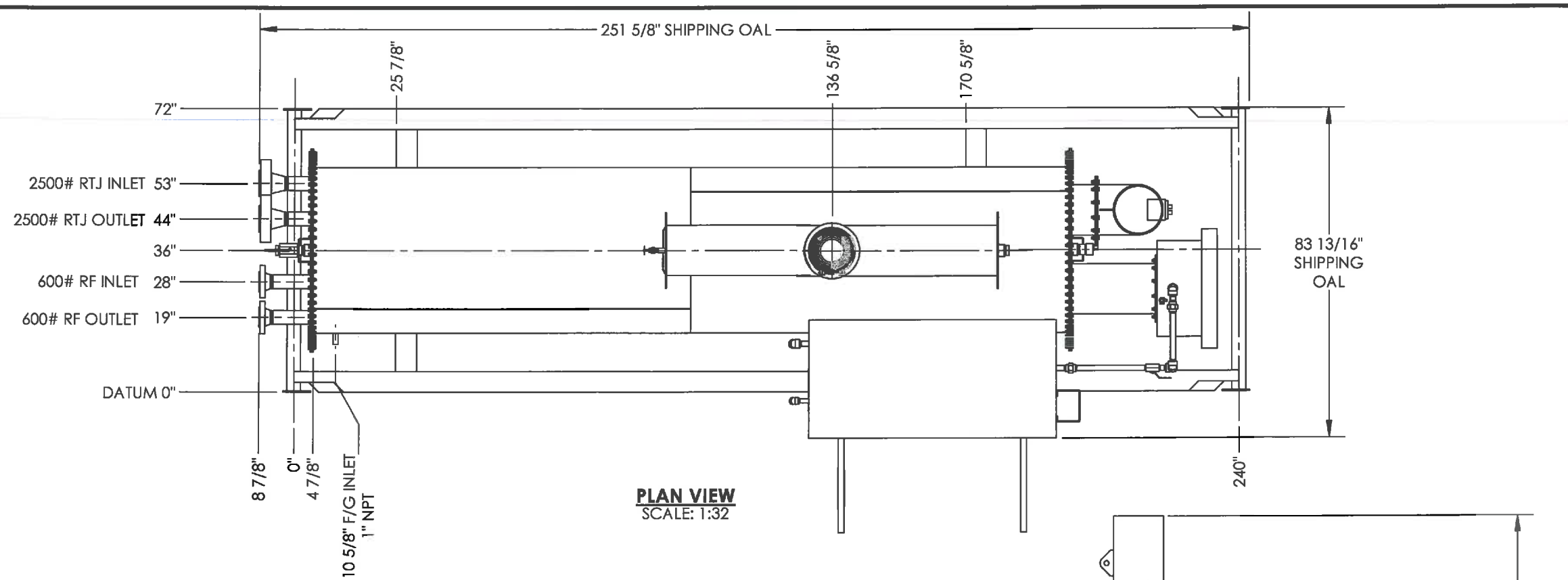
ALL DIMENSIONS IN INCHES

NWP
INDUSTRIES INC.
Total oilfield supply.

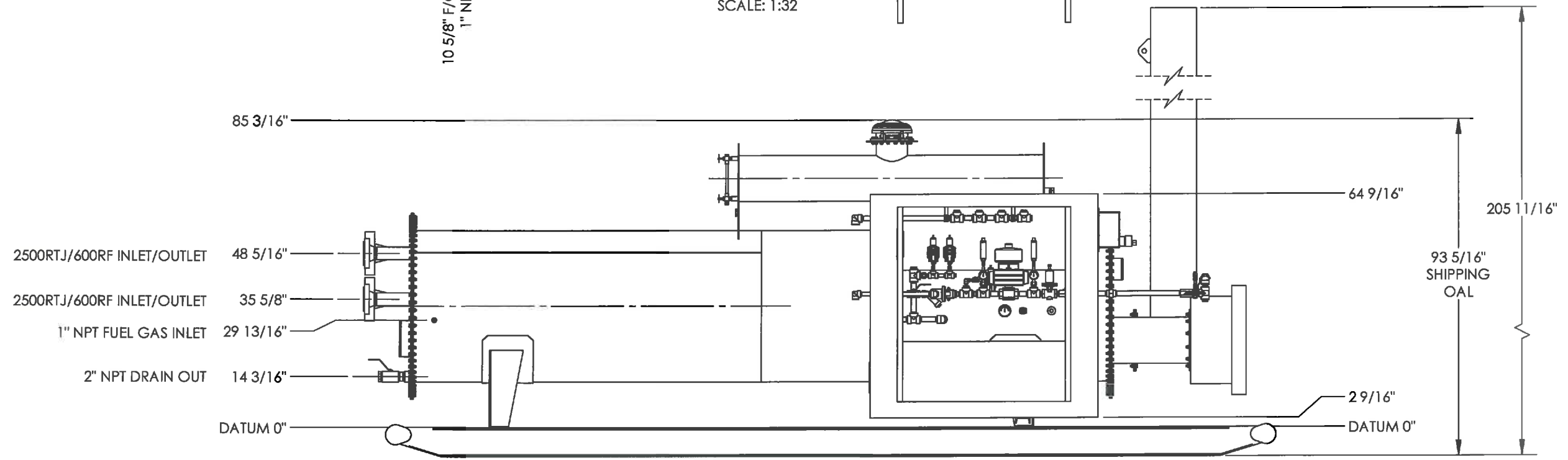
P.O. BOX 6280, INNISFAIL, AB T4G 1S9
 PH: (403) 227-4100 FAX: (403) 227-4102

SCALE: AS NOTED

MURPHY OIL 1.0 MM BTU LINEHEATER PACKAGE 42"OD x 192"LG LINEHEATER c/w 3"-2500# x 3"-600# SPLIT COILS ASSEMBLY DETAILS			
DWN:	MJH	CHK:	APP:
DATE:	JAN 29/13	DATE:	JAN 30 2013
SHEET:	DWG:	REV:	
1 OF 4	08664-001-G-001	0	



PLAN VIEW
SCALE: 1:32



FRONT VIEW
SCALE: 1:32

ORIGINAL

LH-SKID-4126	SKID ASSEMBLY
PKGLH-14216-1-11	ENCLOSURE DRAWING
PKGLH-14216-1-6	BATH ASSEMBLY
08664-001-C-001	COIL ASSEMBLY
08664-001-P-001	PIPING AND INSTRUMENTATION DIAGRAM
DOCUMENT NO.	DESCRIPTION
REFERENCE DRAWINGS	

0	JAN 29/13	MJH			ISSUED FOR CONSTRUCTION
REV.	DATE	BY:	CHK:	APP:	DESCRIPTION
					DRAWING REVISIONS

ISSUED FOR CONSTRUCTION


SIGNED: _____

DATE: _____

W.O.: _____

S/N: _____

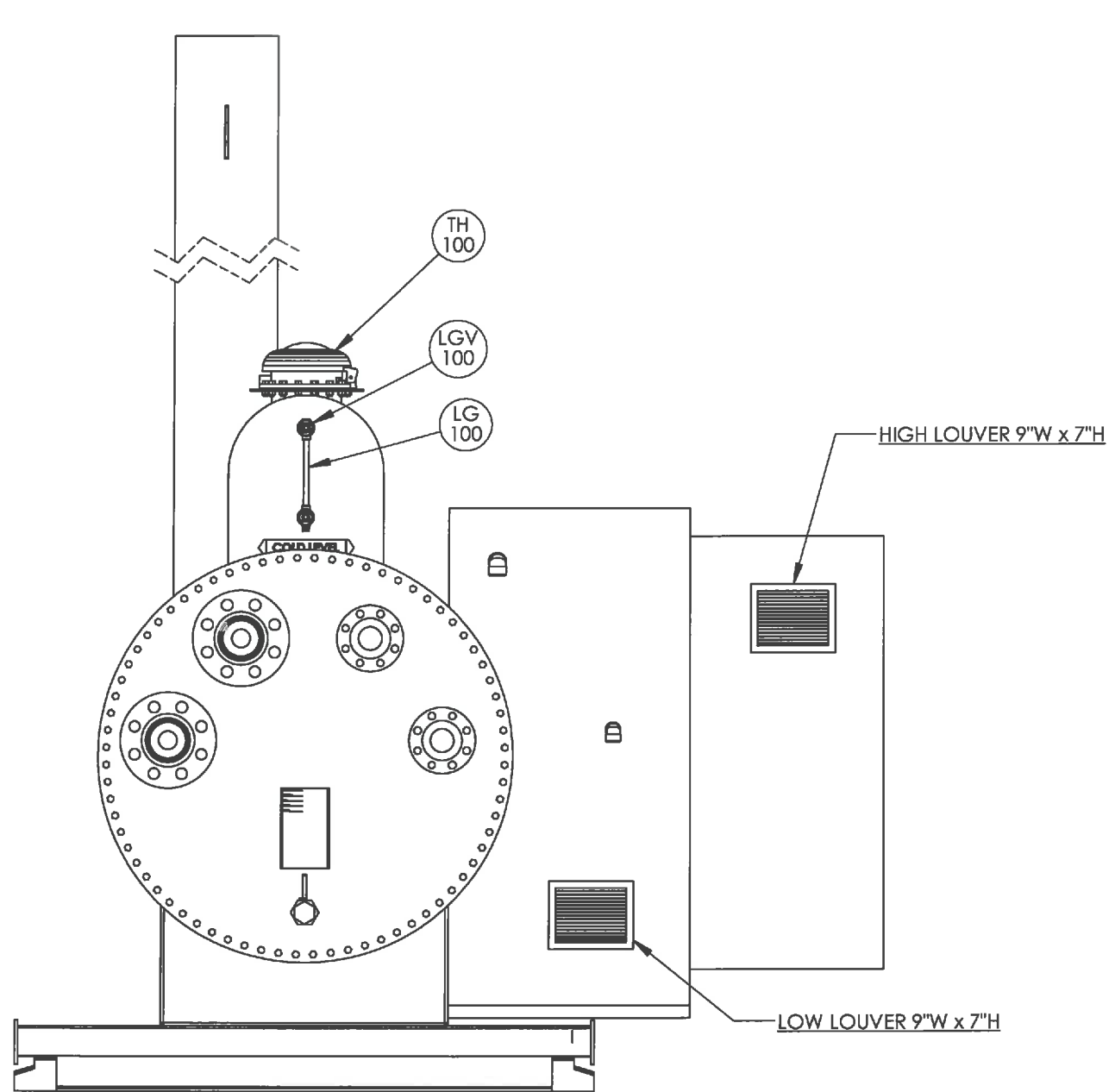
ALL DIMENSIONS IN INCHES



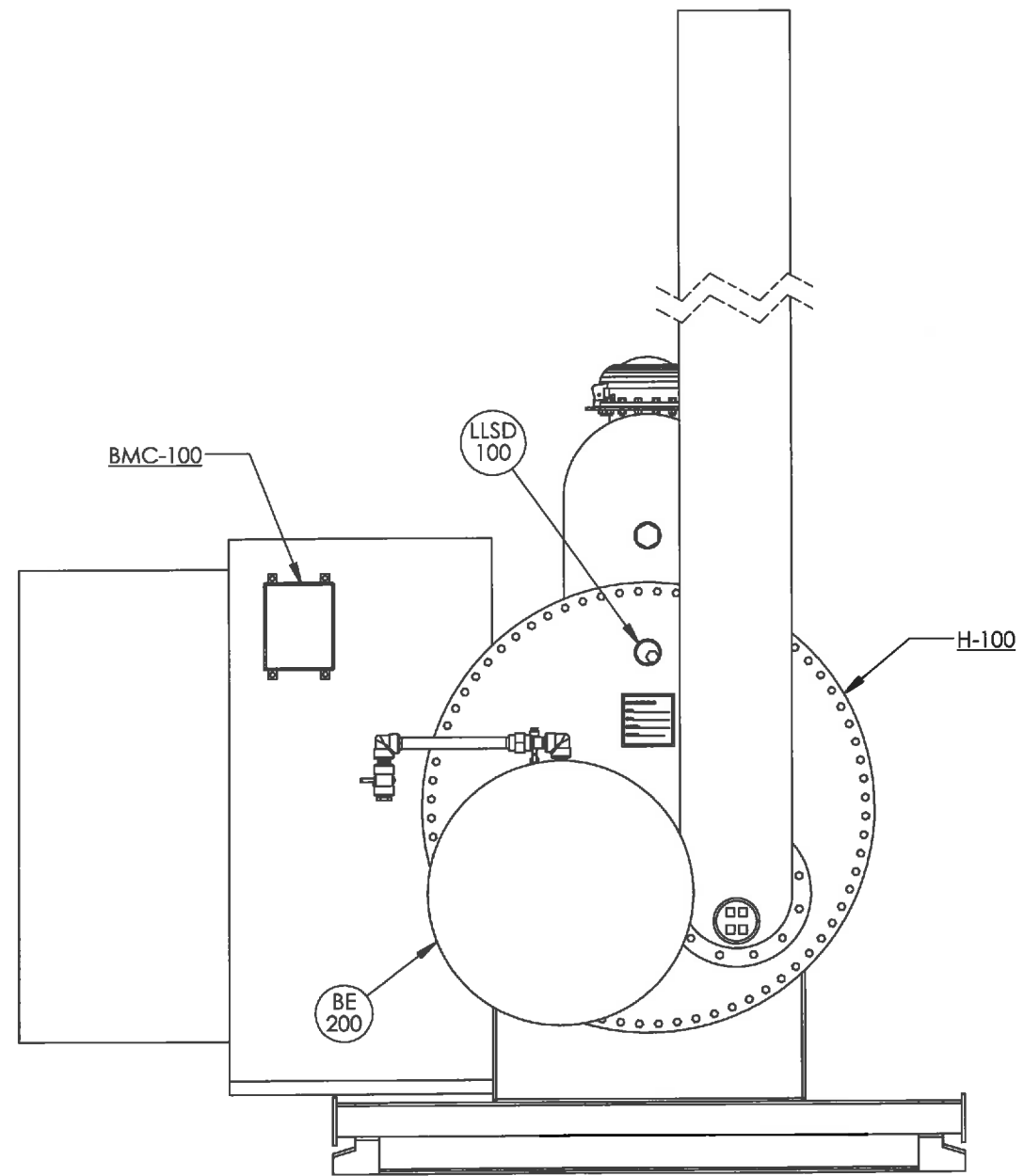
NWP
INDUSTRIES INC.
Total oilfield supply.

P.O. BOX 6280, INNISFAIL, AB T4G 1S9
PH: (403) 227-4100 FAX: (403) 227-4102

MURPHY OIL 1.0 MM BTU LINEHEATER PACKAGE 42"OD x 192"LG LINEHEATER c/w 3"-2500# x 3"-600# SPLIT COILS ASSEMBLY DETAILS			
DWN: MJH	CHK: <i>[Signature]</i>	APP: <i>[Signature]</i>	
DATE: JAN 29/13	DATE: JAN 30 2013	DATE: JAN 30 2013	
SHEET: 2 OF 4	DWG: 08664-001-G-001	REV: 0	




LEFT VIEW
SCALE: 1:20

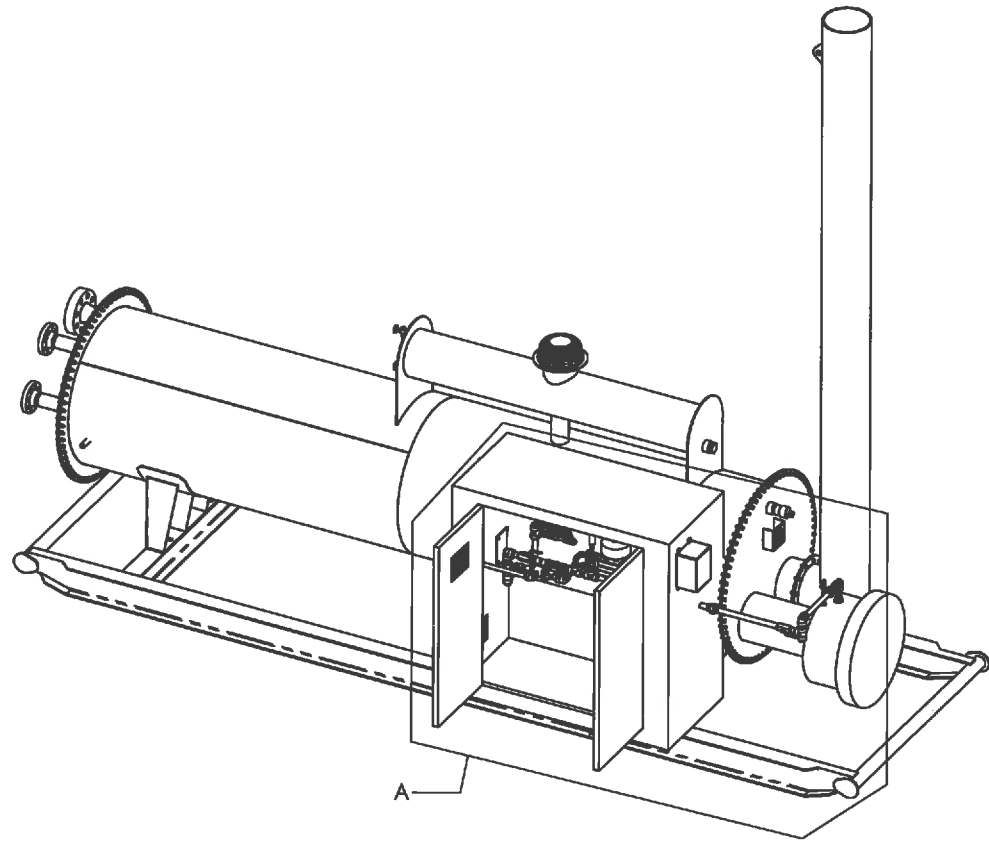


RIGHT VIEW
SCALE: 1:20

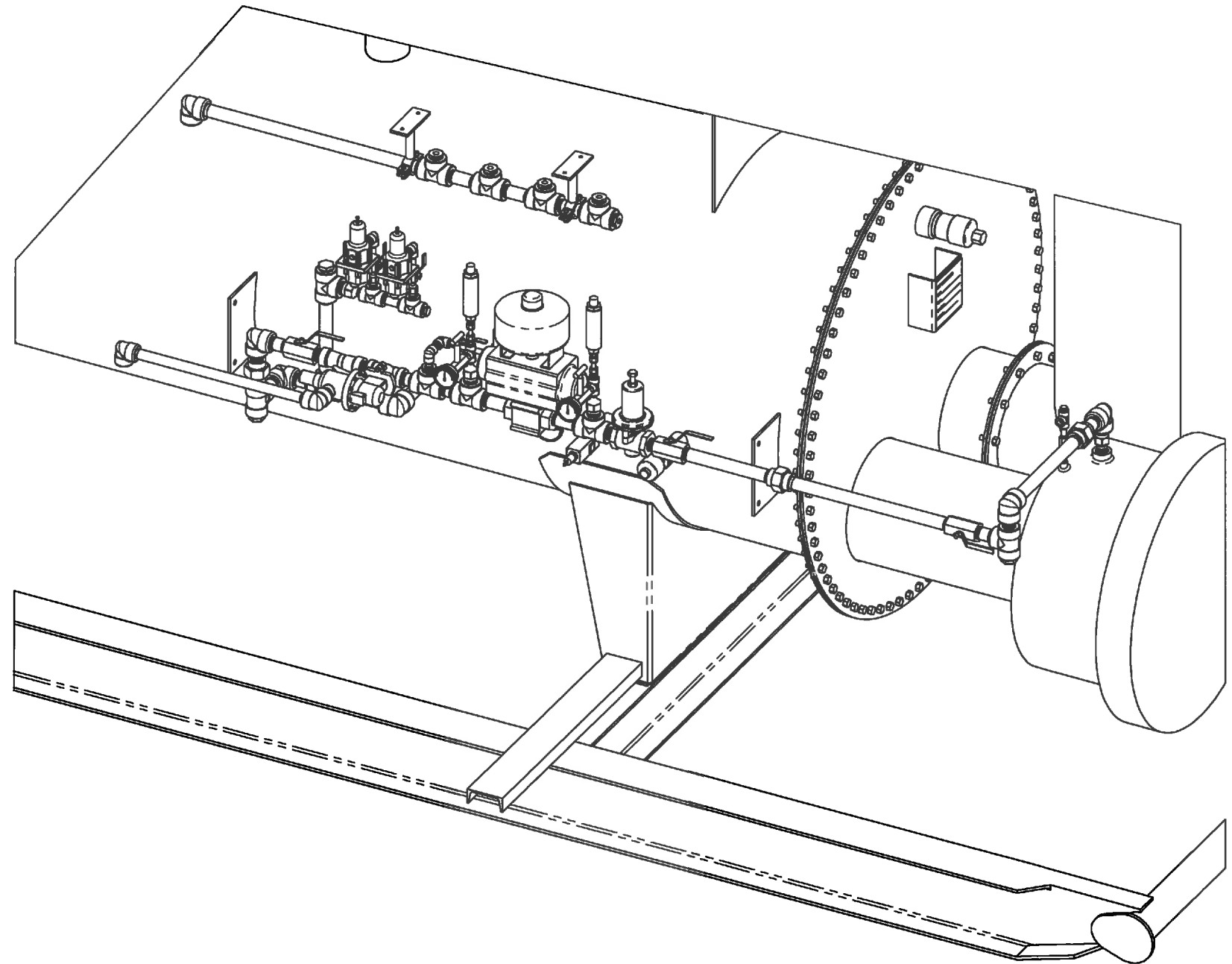
ORIGINAL

LH-SKID-4126		SKID ASSEMBLY						ISSUED FOR CONSTRUCTION SIGNED: _____ DATE: _____ W.O.: _____ S/N: _____		 INDUSTRIES INC. Total oilfield supply. P.O. BOX 6280, INNISFAIL, AB T4G 1S9 PH: (403) 227-4100 FAX: (403) 227-4102		MURPHY OIL 1.0 MM BTU LINEHEATER PACKAGE 42"OD x 192"LG LINEHEATER c/w 3"-2500# x 3"-600# SPLIT COILS ASSEMBLY DETAILS			
PKGLH-14216-1-11		ENCLOSURE DRAWING										DWN: MJH	CHK: <i>[Signature]</i>	APP: <i>[Signature]</i>	
PKGLH-14216-1-6		BATH ASSEMBLY										DATE: JAN 29/13	DATE: JAN 30 2013	DATE: JAN 30 2013	
08664-001-C-001		COIL ASSEMBLY													
08664-001-P-001		PIPING AND INSTRUMENTATION DIAGRAM		0	JAN 29/13	MJH	<i>[Signature]</i>	<i>[Signature]</i>	ISSUED FOR CONSTRUCTION						
DOCUMENT NO.	DESCRIPTION	REV.	DATE	BY:	CHK:	APP:	DESCRIPTION		SCALE:	SHEET:	DWG:	REV:			
REFERENCE DRAWINGS				DRAWING REVISIONS				ALL DIMENSIONS IN INCHES		AS NOTED	3 OF 4	08664-001-G-001	0		

DESIGN DATA	
LINE NUMBER:	FG-1"-W-80B-703
CLIENT SPECIFICATION:	N/A
DESIGN & FABRICATE TO:	ANSI/ASME B31.3 NFS 2010 EDITION
DESIGN PRESSURE:	250 PSI
MAXIMUM DESIGN TEMPERATURE:	200 °F
MINIMUM DESIGN TEMPERATURE:	-20 °F
SERVICE:	HYDROCARBONS
HYDROSTATIC TEST PRESSURE:	375 PSI
JOINT SEALANT:	JET LUBE TF-15
CORROSION ALLOWANCE:	1/16"
Q.C. PROGRAM NO.:	AQP-1253




TRIMETRIC VIEW
SCALE: 1:48



DETAIL A
ENCLOSURE HIDDEN FOR CLARITY
SCALE: 1:14

ORIGINAL

LH-SKID-4126		SKID ASSEMBLY								ISSUED FOR CONSTRUCTION		 INDUSTRIES INC. Total oilfield supply. P.O. BOX 6280, INNISFAIL, AB T4G 1S9 PH: (403) 227-4100 FAX: (403) 227-4102		MURPHY OIL		1.0 MM BTU LINEHEATER PACKAGE		42"OD x 192"LG LINEHEATER		c/w 3"-2500# x 3"-600# SPLIT COILS		ASSEMBLY DETAILS	
PKGLH-14216-1-11		ENCLOSURE DRAWING								SIGNED: _____				DWN: MJH		CHK: <i>o</i>		APP: <i>o</i>		DATE: JAN 29/13		DATE: JAN 31 2013	
PKGLH-14216-1-6		BATH ASSEMBLY								DATE: _____		DATE: JAN 29/13		DATE: JAN 31 2013		DATE: JAN 31 2013		SHEET: 4 OF 4		DWG: 08664-001-G-001		REV: 0	
08664-001-C-001		COIL ASSEMBLY								W.O.: _____		SCALE: AS NOTED		SHEET: 4 OF 4		DWG: 08664-001-G-001		REV: 0					
08664-001-P-001		PIPING AND INSTRUMENTATION DIAGRAM		0		JAN 29/13		MJH		<i>o</i>		S/N: _____											
DOCUMENT NO.		DESCRIPTION		REV.		DATE		BY:		CHK:		APP:		DESCRIPTION									
REFERENCE DRAWINGS				DRAWING REVISIONS								ALL DIMENSIONS IN INCHES											