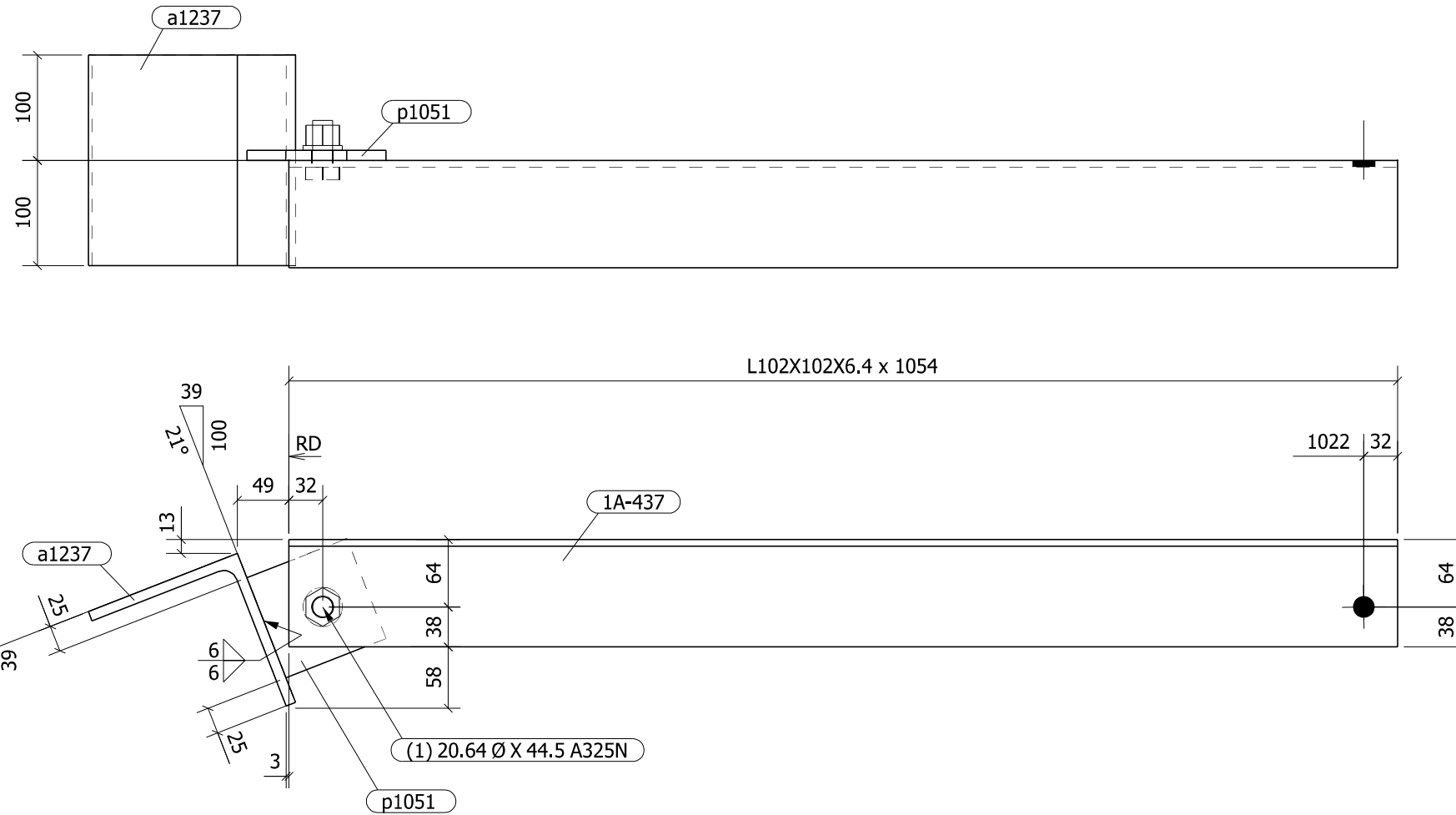


| | |
|--------------|---------------|
| T.o.s. Elev. | Grid Location |
| +7.610 | 31-30/J-K |



Beairsto & Associates
ENGINEERING LTD

- REVIEWED
- REVIEWED AS NOTED
- REVISE AND RESUBMIT
- REJECTED
- FOR INFORMATION ONLY

This review is for the sole purpose of ascertaining conformance with the general design. This review does not relieve the Contractor of the responsibility of errors or omissions in the shop drawings or of the responsibility to meet all requirements of the contract documents. The contractor shall confirm all dimensions and coordinate all construction and the work of all sub-trades.

BY JCM DATE 2020-03-31

L7 ARCHITECTURE
4212 - 90 St NW, Edmonton, AB T6E 6A1
780 451 4376
info@l7arch.ca

THIS REVIEW IS FOR THE SOLE PURPOSE OF ASCERTAINING CONFORMANCE WITH THE GENERAL DESIGN CONCEPT. THIS REVIEW SHALL NOT MEAN APPROVAL OF THE DETAIL DESIGN INHERENT IN THE SHOP DRAWINGS, RESPONSIBILITY FOR WHICH SHALL REMAIN WITH THE CONTRACTOR SUBMITTING SAME, AND SUCH REVIEW SHALL NOT RELIEVE THE CONTRACTOR OF HIS RESPONSIBILITY FOR MEETING ALL REQUIREMENTS OF THE CONTRACT DOCUMENTS. THE CONTRACTOR IS RESPONSIBLE FOR DIMENSIONS TO BE CONFIRMED AND CORRELATED AT THE JOB SITE. FOR INFORMATION THAT PERTAINS SOLELY TO FABRICATION PROCESSED OR TO TECHNIQUES OF CONSTRUCTION AND INSTALLATION AND COORDINATION OF THE WORK OF ALL SUB-TRADES.

REVIEWED BY: GH INITIALS DATE: 02/APR/2020 DD/MONTH/YYYY

AS SUBMITTED REVISE & RESUBMIT

REVISE AS NOTED. DO NOT RESUBMIT NOT REVIEWED

ONE ANGLE - Mkd - 1A-437

| | | |
|-----|---------------------|------------|
| △ | ISSUED FOR APPROVAL | 03/20/2020 |
| Rev | Description | Date |

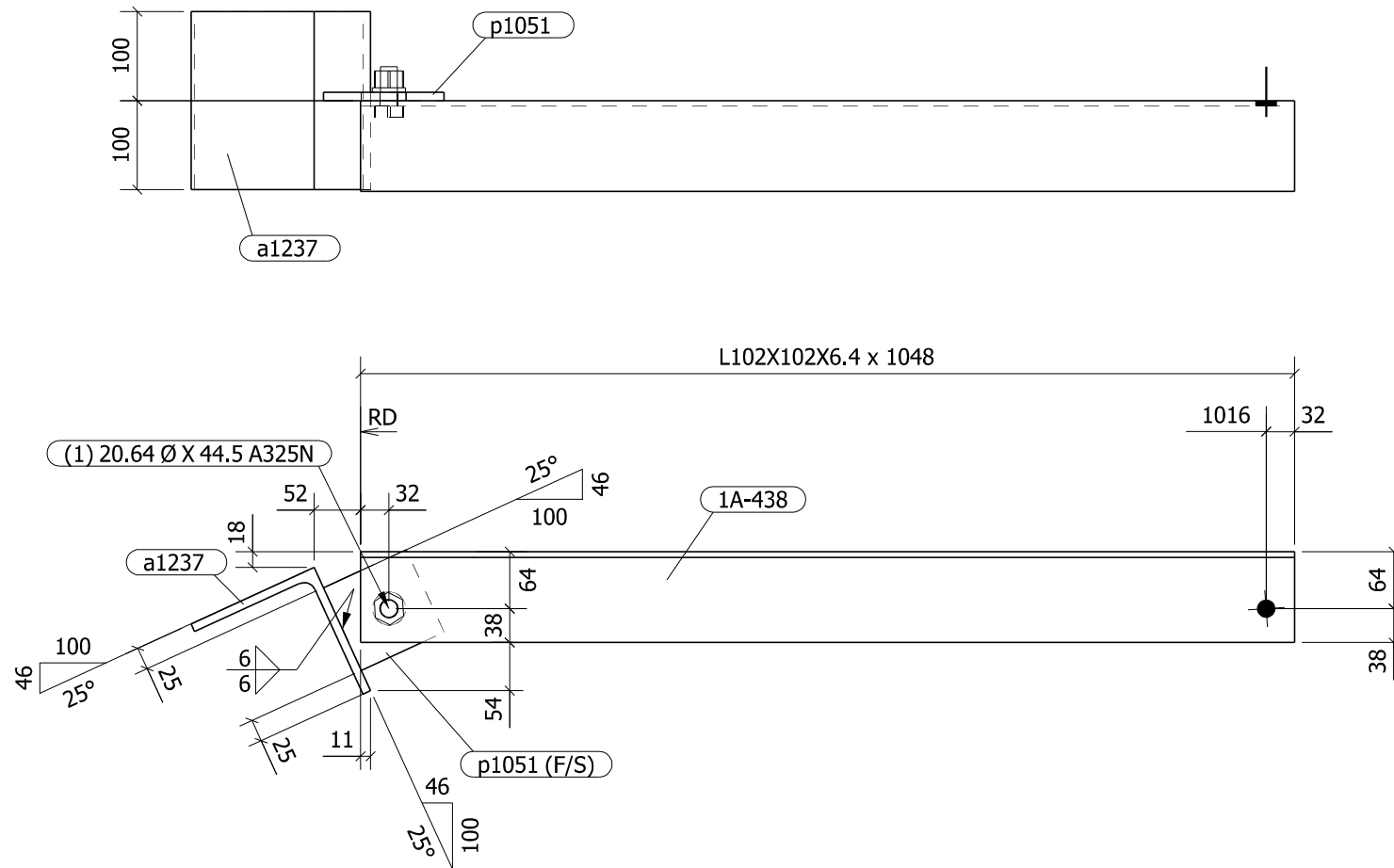
Rampart Steel Ltd. Structural Steel
6910 - 71 Street
Edmonton, Alberta
Miscellaneous Iron
Erection

| | | | |
|---|---------------------------|--------------------------|---------------------------|
| Customer CLARK BUILDERS | | | |
| Contract SEVEN GENERATIONS ENERGY LTD. | | | |
| Drn. By SMY | Date 20.03.2020 | Job No. 10572S | Drg. No. 1A-437 |
| Chkd. By KEN | Date Issued 20.03.2020 | Ref. E-106 | Rev. No. |

| Mark | Qty | Description | Grade | Length | Total Weight Lbs/Page | Remarks |
|--------|-----|---------------|-------|--------|--------------------------|---------|
| 1A-437 | ONE | ANGLE | | | 34.30 | |
| 1A-437 | 1 | L102X102X6.4 | 300W | 1054 | 22.88 | |
| a1237 | 1 | L152X152X9.5 | 300W | 200 | 9.70 | |
| p1051 | 1 | PL10X102 | 300W | 102 | 1.71 | |
| | 1 | 19.05 Ø A325N | | 44.45 | | |


| | | | |
|---------------|------------------|--------------|---------|
| Field Bolts | 1 | 3/4" Ø A325N | x1 3/4" |
| Fitter | | | |
| Welder | | | |
| Electrodes: | E70XX | | |
| Welds: | 6mm FILLET | | |
| Holes: | 13/16" Ø | | |
| Bolts: | A325N | | |
| Prep & Prime: | SP3 & GREY 70327 | | |
| Paint: | | | |

| | |
|--------------|---------------|
| T.o.s. Elev. | Grid Location |
| +7.610 | 30-29/H-J |



ONE ANGLE - Mkd - 1A-438

| | | |
|----------|---------------------|------------|
| A | ISSUED FOR APPROVAL | 03/20/2020 |
| Rev | Description | Date |

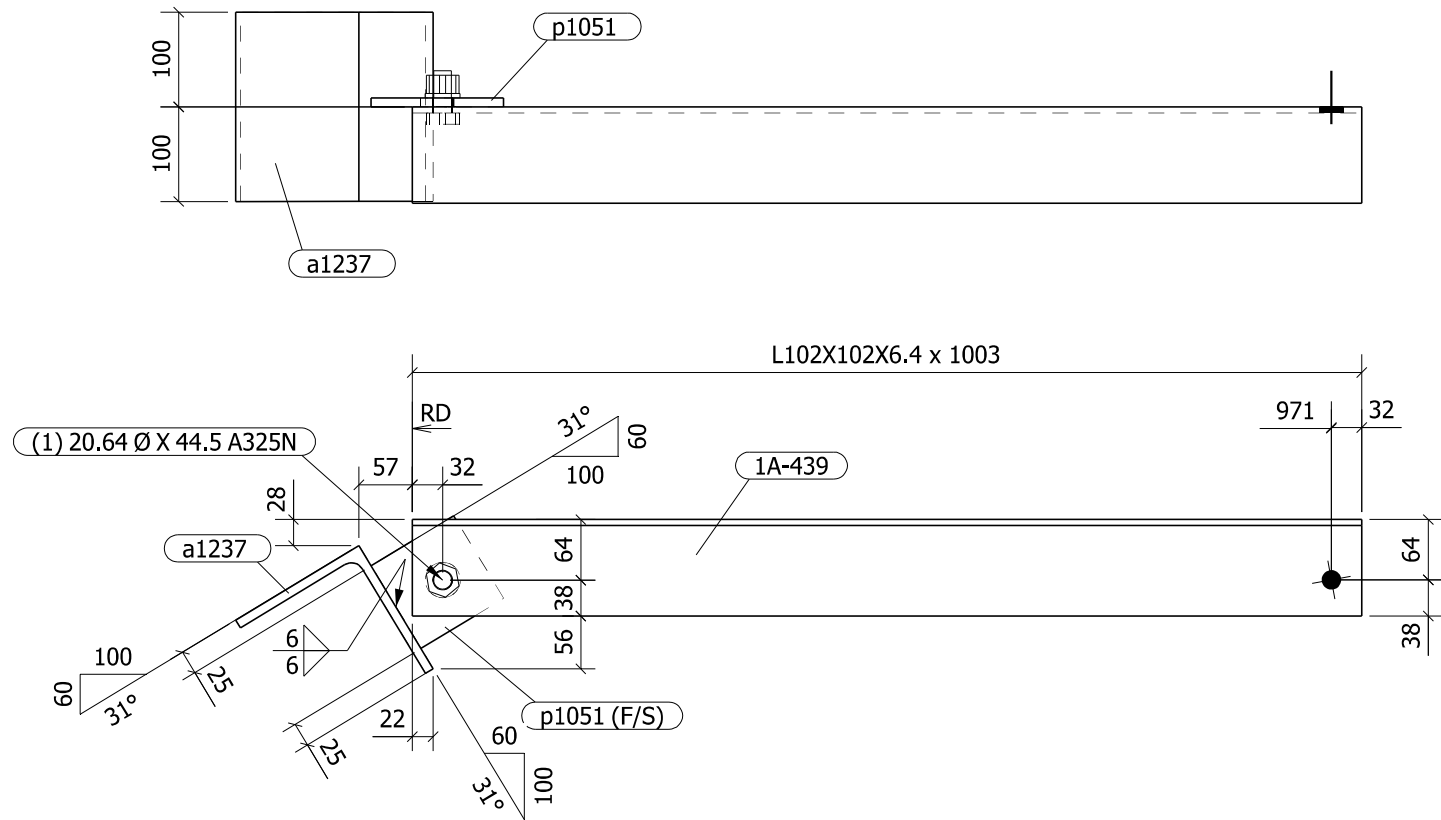
| | | | |
|---|--|---|--------------------------------|
| Rampart Steel Ltd. 6910 - 71 Street Edmonton , Alberta | |  | Structural Steel |
| | | | Miscellaneous Iron Erection |

| | | | |
|---|---------------------------|--------------------------|---------------------------|
| Customer CLARK BUILDERS | | | |
| Contract SEVEN GENERATIONS ENERGY LTD. | | | |
| Drn. By ARN | Date 20.03.2020 | Job No. 10572S | Drg. No. 1A-438 |
| Chkd. By KEN | Date Issued 20.03.2020 | Ref. E-106 | Rev. No. A |

| Mark | Qty | Description | Grade | Length | Total Weight Lbs/Page | Remarks |
|--------|-----|---------------|-------|--------|--------------------------|---------|
| 1A-438 | ONE | ANGLE | | | 34.18 | |
| 1A-438 | 1 | L102X102X6.4 | 300W | 1048 | 22.77 | |
| a1237 | 1 | L152X152X9.5 | 300W | 200 | 9.70 | |
| p1051 | 1 | PL10X102 | 300W | 102 | 1.71 | |
| | 1 | 19.05 Ø A325N | | 44.45 | | |

| | |
|---------------|------------------------|
| Field Bolts | 1 3/4" Ø A325N x1 3/4" |
| Fitter | |
| Welder | |
| Electrodes: | E70XX |
| Welds: | 6mm FILLET |
| Holes: | 13/16" Ø |
| Bolts: | A325N |
| Prep & Prime: | SP3 & GREY 70327 |
| Paint: | |

| | |
|--------------|---------------|
| T.o.s. Elev. | Grid Location |
| +7.610 | 30-29/H-J |



ONE ANGLE - Mkd - 1A-439

| | | |
|----------|---------------------|------------|
| A | ISSUED FOR APPROVAL | 03/20/2020 |
| Rev | Description | Date |

| | | |
|---|---|--------------------------------|
| Rampart Steel Ltd. 6910 - 71 Street Edmonton , Alberta |  | Structural Steel |
| | | Miscellaneous Iron Erection |

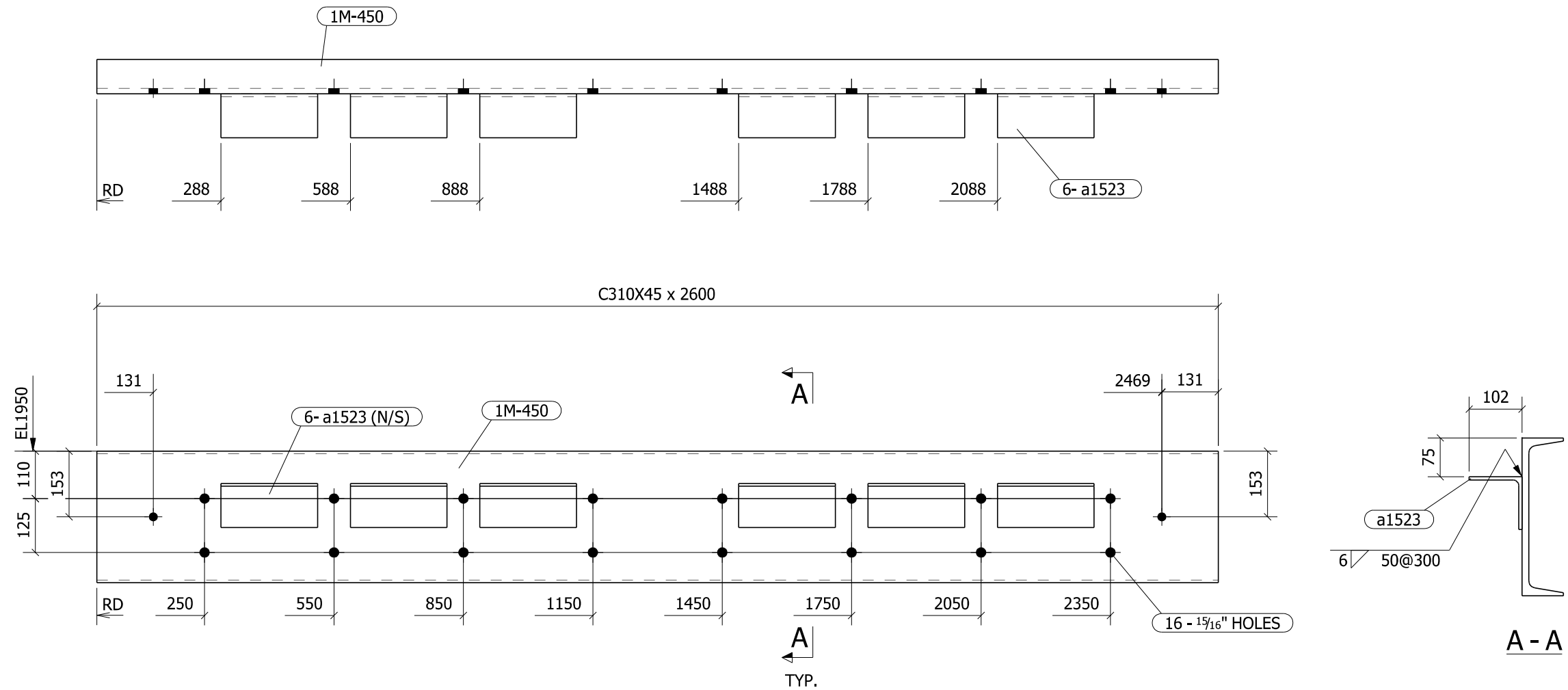
| | | | |
|----------|-------------|--------------------------------------|---------------|
| Customer | | CLARK BUILDERS | |
| Contract | | SEVEN GENERATIONS ENERGY LTD. | |
| Drn. By | Date | Job No. | Drg. No. |
| ARN | 20.03.2020 | 10572S | 1A-439 |
| Chkd. By | Date Issued | Ref. | Rev. No. |
| KEN | 20.03.2020 | E-106 | A |

| Mark | Qty | Description | Grade | Length | Total Weight Lbs/Page | Remarks |
|--------|-----|---------------|-------|--------|--------------------------|---------|
| 1A-439 | ONE | ANGLE | | | 33.20 | |
| 1A-439 | 1 | L102X102X6.4 | 300W | 1003 | 21.79 | |
| a1237 | 1 | L152X152X9.5 | 300W | 200 | 9.70 | |
| p1051 | 1 | PL10X102 | 300W | 102 | 1.71 | |
| | 1 | 19.05 Ø A325N | | 44.45 | | |

| | | | |
|-------------|---|--------------|---------|
| Field Bolts | 1 | 3/4" Ø A325N | x1 3/4" |
| Fitter | | | |
| Welder | | | |

| | |
|---------------|------------------|
| Electrodes: | E70XX |
| Welds: | 6mm FILLET |
| Holes: | 13/16" Ø |
| Bolts: | A325N |
| Prep & Prime: | SP3 & GREY 70327 |
| Paint: | |

| | |
|--------------|---------------|
| T.o.s. Elev. | Grid Location |
| +1.950 | 26/F1-G |



ONE BEAM - Mkd - 1M-450

| | | |
|----------|---------------------|------------|
| A | ISSUED FOR APPROVAL | 03/20/2020 |
| Rev | Description | Date |

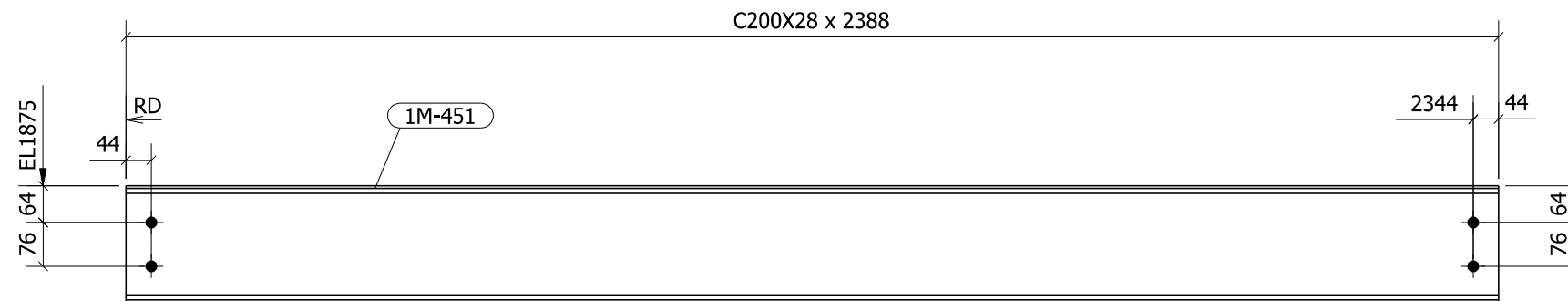
| | | |
|---|--|--------------------|
| Rampart Steel Ltd. 6910 - 71 Street Edmonton , Alberta | | Structural Steel |
| | | Miscellaneous Iron |
| | | Erection |

| | | | |
|---|---------------------------|--------------------------|---------------------------|
| Customer CLARK BUILDERS | | | |
| Contract SEVEN GENERATIONS ENERGY LTD. | | | |
| Drn. By SMY | Date 20.03.2020 | Job No. 10572S | Drg. No. 1M-450 |
| Chkd. By KEN | Date Issued 20.03.2020 | Ref. E-115 & E-116 | Rev. No. A |

| Mark | Qty | Description | Grade | Length | Total Weight Lbs/Page | Remarks |
|--------|-----|--------------|-------|--------|--------------------------|---------|
| 1M-450 | ONE | BEAM | | | 287.11 | |
| 1M-450 | 1 | C310X45 | 350W | 2600 | 257.92 | |
| a1523 | 6 | L102X102X6.4 | 300W | 224 | 29.19 | |

| | | |
|---------------|---------------------|---------|
| Field Bolts | 16 3/4" Ø HILTI_KB3 | x2" |
| | 2 3/4" Ø A325N | x2 3/8" |
| Fitter | | |
| Welder | | |
| Electrodes: | E70XX | |
| Welds: | 6mm FILLET | |
| Holes: | 13/16" Ø | |
| Bolts: | A325N | |
| Prep & Prime: | SP3 & GREY 70327 | |
| Paint: | | |

| | |
|--------------|---------------|
| T.o.s. Elev. | Grid Location |
| +1.875 | 27-26/F1-G |



ONE BEAM - Mkd - 1M-451

| | | |
|-----|---------------------|------------|
| | ISSUED FOR APPROVAL | 03/20/2020 |
| Rev | Description | Date |

| | | |
|---|--|--------------------------------|
| Rampart Steel Ltd. 6910 - 71 Street Edmonton , Alberta | | Structural Steel |
| | | Miscellaneous Iron Erection |

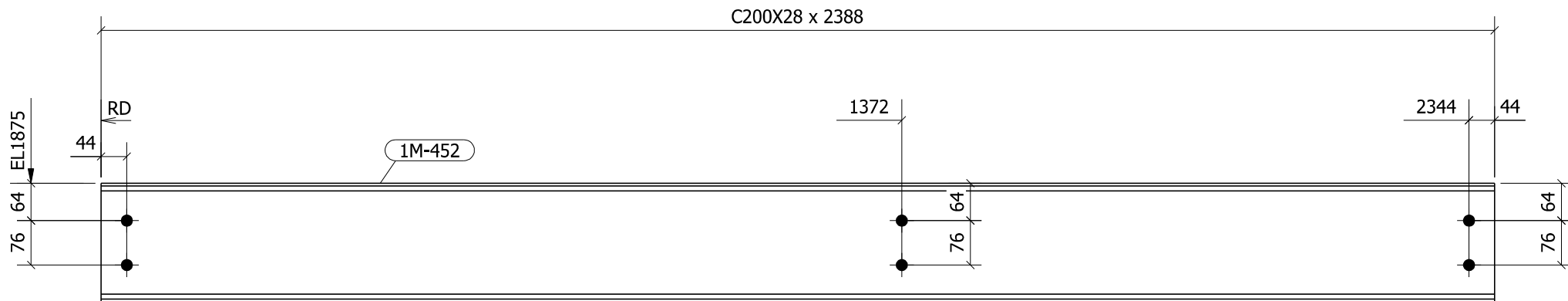
| | | | |
|---|---------------------------|--------------------------|---------------------------|
| Customer CLARK BUILDERS | | | |
| Contract SEVEN GENERATIONS ENERGY LTD. | | | |
| Drn. By SMY | Date 20.03.2020 | Job No. 10572S | Drg. No. 1M-451 |
| Chkd. By KEN | Date Issued 20.03.2020 | Ref. E-115 & E-116 | Rev. No. |

| Mark | Qty | Description | Grade | Length | Total Weight Lbs/Page | Remarks |
|--------|-----|-------------|-------|--------|--------------------------|---------|
| 1M-451 | ONE | BEAM | | | 147.42 | |
| 1M-451 | 1 | C200X28 | 350W | 2388 | 147.42 | |

| | | | |
|-------------|---|--------------|-----|
| Field Bolts | 4 | 3/4" Ø A325N | x2" |
| Fitter | | | |
| Welder | | | |

| |
|--------------------------------|
| Electrodes: E70XX |
| Welds: 6mm FILLET |
| Holes: 13/16" Ø |
| Bolts: A325N |
| Prep & Prime: SP3 & GREY 70327 |
| Paint: |

| | |
|--------------|---------------|
| T.o.s. Elev. | Grid Location |
| +1.875 | 27-26/F1-G |



ONE BEAM - Mkd - 1M-452

| | | |
|-----|---------------------|------------|
| | ISSUED FOR APPROVAL | 03/20/2020 |
| Rev | Description | Date |

| | | |
|---|--|--------------------|
| Rampart Steel Ltd. 6910 - 71 Street Edmonton , Alberta | | Structural Steel |
| | | Miscellaneous Iron |
| | | Erection |

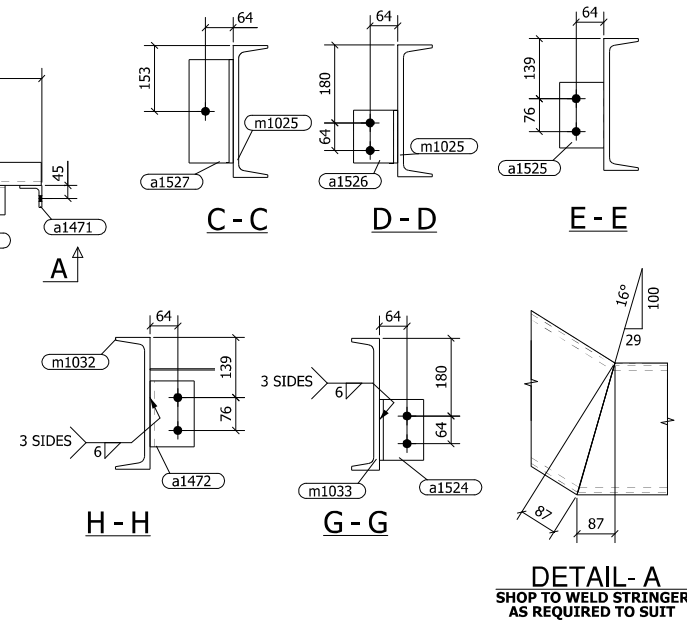
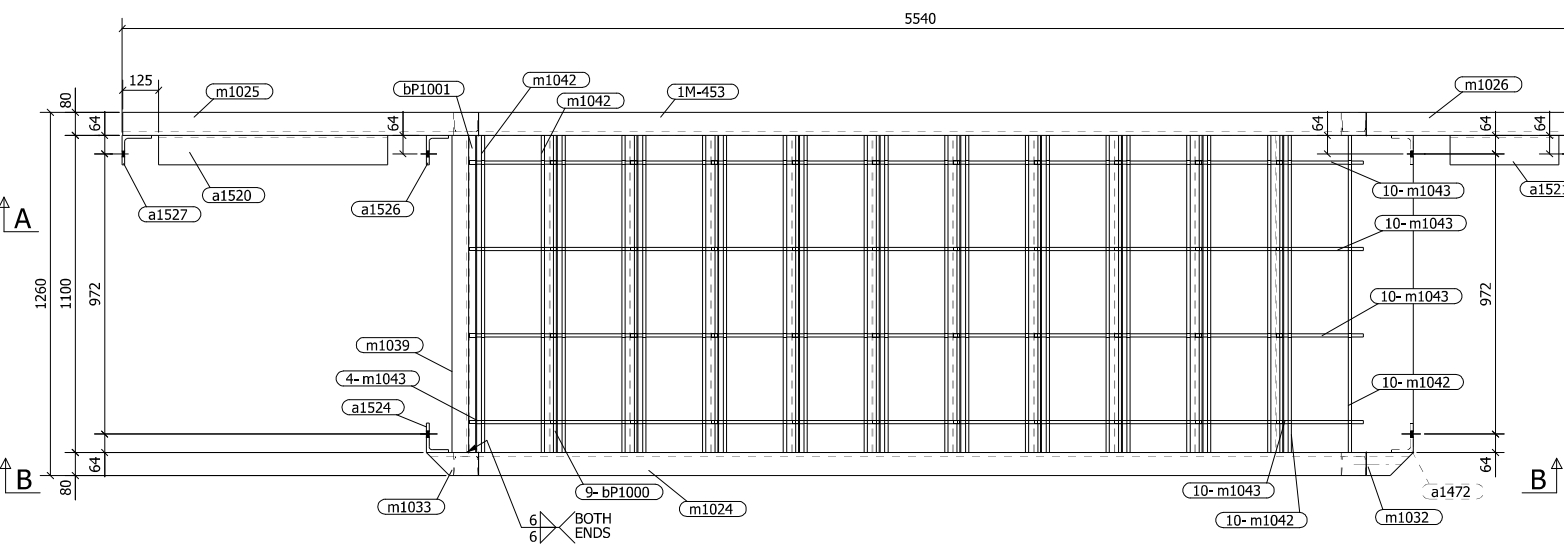
| | | | |
|---|---------------------------|--------------------------|---------------------------|
| Customer CLARK BUILDERS | | | |
| Contract SEVEN GENERATIONS ENERGY LTD. | | | |
| Drn. By SMY | Date 20.03.2020 | Job No. 10572S | Drg. No. 1M-452 |
| Chkd. By KEN | Date Issued 20.03.2020 | Ref. E-115 & E-116 | Rev. No. |

| Mark | Qty | Description | Grade | Length | Total Weight Lbs/Page | Remarks |
|--------|-----|-------------|-------|--------|--------------------------|---------|
| 1M-452 | ONE | BEAM | | | 147.42 | |
| 1M-452 | 1 | C200X28 | 350W | 2388 | 147.42 | |

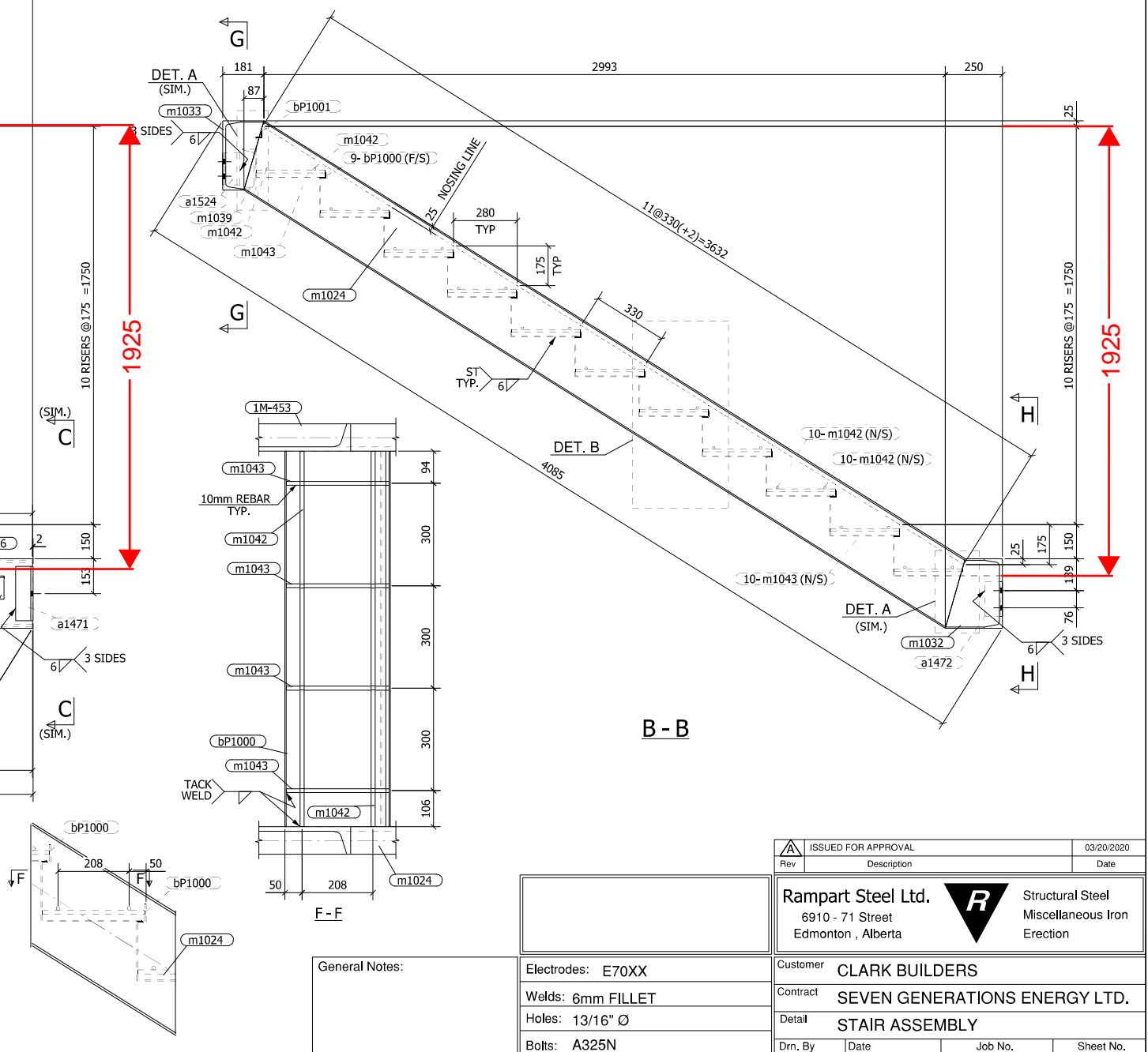
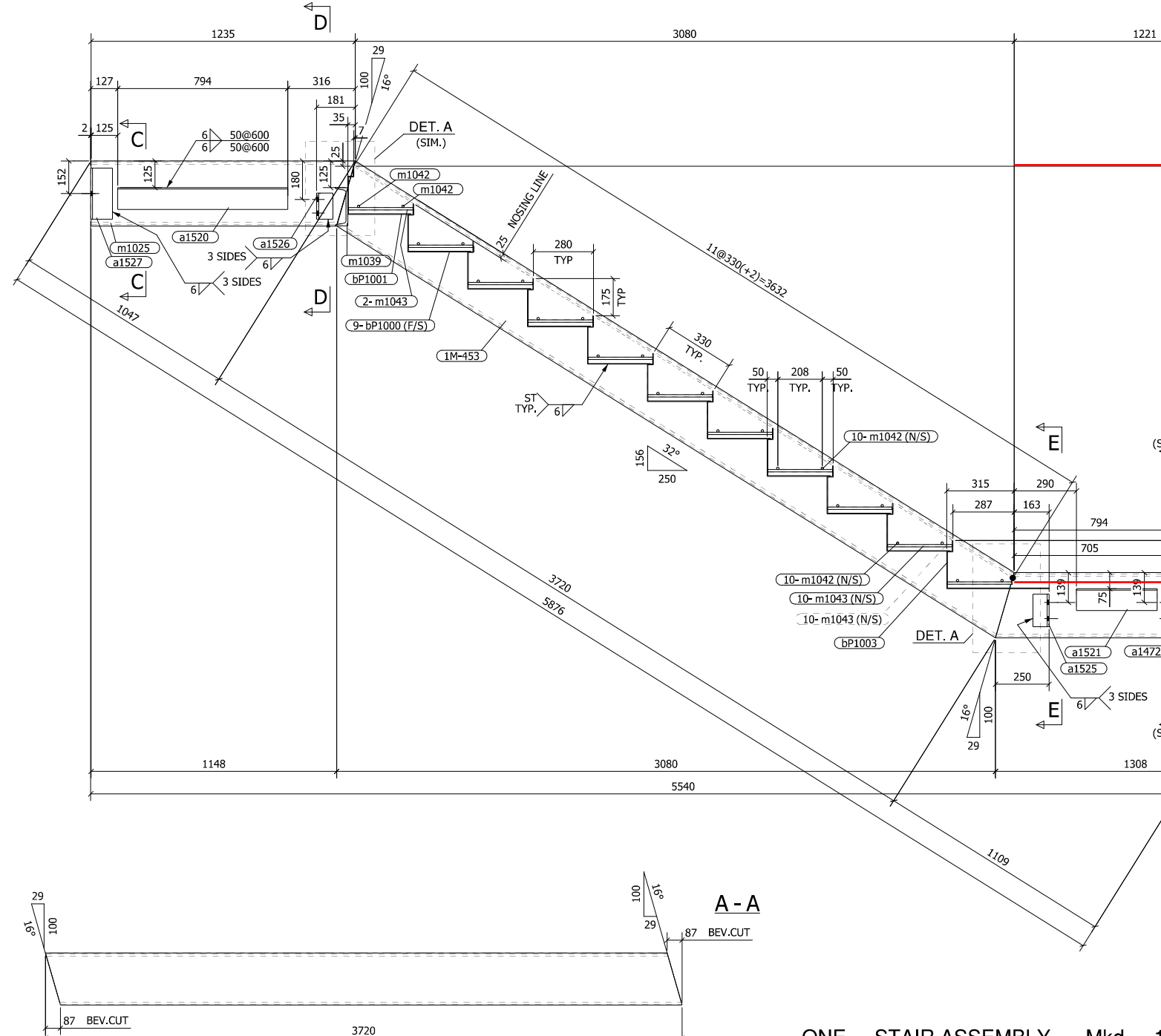
| | | | |
|-------------|---|--------------|-----|
| Field Bolts | 4 | 3/4" Ø A325N | x2" |
| Fitter | | | |
| Welder | | | |

| |
|--------------------------------|
| Electrodes: E70XX |
| Welds: 6mm FILLET |
| Holes: 13/16" Ø |
| Bolts: A325N |
| Prep & Prime: SP3 & GREY 70327 |
| Paint: |

| | |
|--------------|---------------|
| T.o.s. Elev. | Grid Location |
| +3.875 | 27-26/G |



| Mark | Qty | Description | Length | Grade | Weight | Remarks |
|-------------|--------------|--------------|--------|-------|--------|---------|
| 1M-453 | 1 | C310X45 | 3720 | 350W | 369 | |
| a1471 | 1 | L76X76X9.5 | 239 | 300W | 6 | |
| a1472 | 2 | L102X76X9.5 | 152 | 300W | 4 | |
| a1520 | 1 | L102X102X6.4 | 794 | 300W | 17 | |
| a1521 | 1 | L102X102X6.4 | 378 | 300W | 8 | |
| a1522 | 1 | L102X102X6.4 | 301 | 300W | 7 | |
| a1524 | 1 | L102X76X9.5 | 140 | 300W | 4 | |
| a1525 | 1 | L102X76X9.5 | 152 | 300W | 4 | |
| a1526 | 1 | L102X76X9.5 | 122 | 300W | 3 | |
| a1527 | 1 | L102X102X9.5 | 239 | 300W | 8 | |
| bP1000 | 9 | PL3X533 | 1100 | 300W | 30 | |
| bP1001 | 1 | PL3X533 | 1100 | 300W | 30 | |
| bP1003 | 1 | PL3X716 | 1100 | 300W | 41 | |
| m1024 | 1 | C310X45 | 3720 | 350W | 369 | |
| m1025 | 1 | C310X45 | 1235 | 350W | 123 | |
| m1026 | 1 | C310X45 | 1308 | 350W | 130 | |
| m1032 | 1 | C310X45 | 250 | 350W | 25 | |
| m1033 | 1 | C310X45 | 181 | 350W | 18 | |
| m1039 | 1 | C180X18.2 | 1100 | 350W | 44 | |
| m1042 | 22 | 10M REBAR | 1100 | - | 0 | |
| m1043 | 44 | 10M REBAR | 302 | - | 0 | |
| Field Bolts | | | | | | |
| 2 | 3/4" Ø A325N | 2" | | | | |
| 2 | 3/4" Ø A325N | 1 3/4" | | | | |



SINGLE PART DETAIL OF 1M-453

ONE STAIR ASSEMBLY - Mkd - 1M-453

DETAIL-B

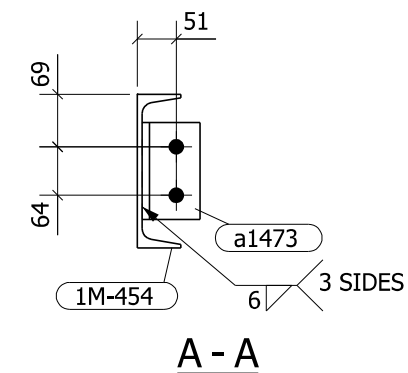
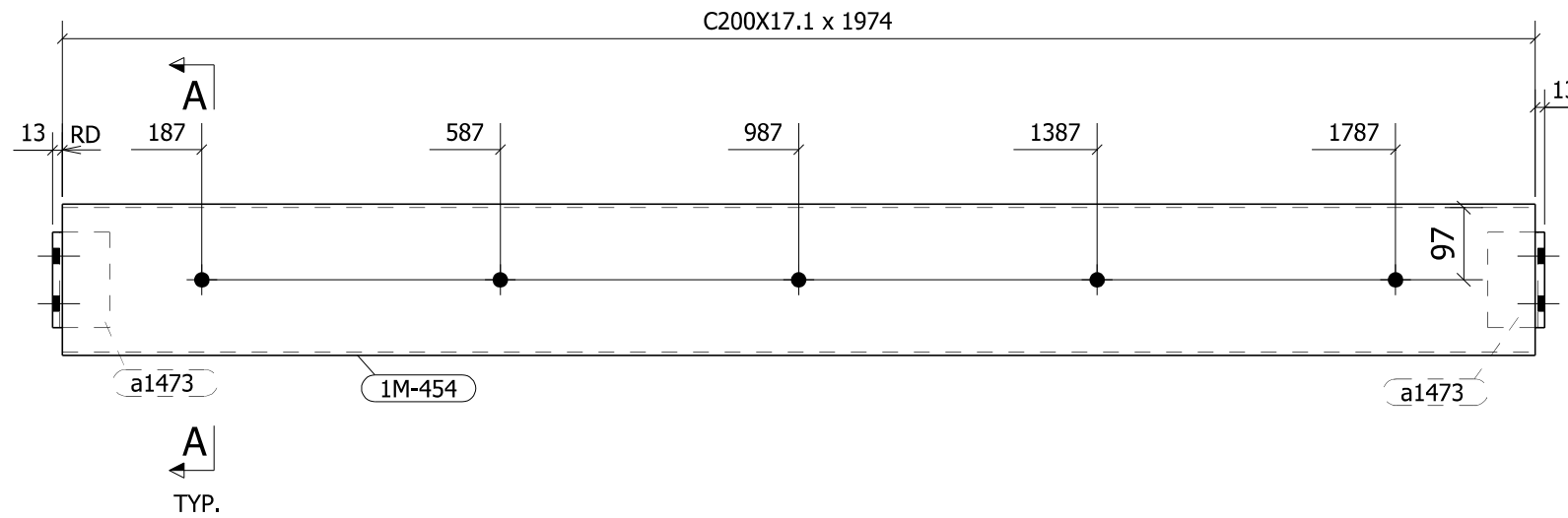
General Notes:

Electrodes: E70XX
 Welds: 6mm FILLET
 Holes: 13/16" Ø
 Bolts: A325N
 Prep & Prime: SP3 & GREY 70327
 Paint:

| | | |
|---|-------------------------------|---------------|
| ISSUED FOR APPROVAL | | 03/20/2020 |
| Rev | Description | Date |
| Rampart Steel Ltd. Structural Steel 6910 - 71 Street Edmonton, Alberta Miscellaneous Iron Erection | | |
| Customer | CLARK BUILDERS | |
| Contract | SEVEN GENERATIONS ENERGY LTD. | |
| Detail | STAIR ASSEMBLY | |
| Drn. By | Date | Job No. |
| GIR | 20.03.2020 | 10572S |
| Sheet No. | 1M-453 | |
| Chkd. By | Date Issued | Ref. |
| HRR | 20.03.2020 | E-115 & E-116 |
| Rev. No. | A | |

| | |
|--------------|---------------|
| T.o.s. Elev. | Grid Location |
| -0.038 | 30-29/H-J |

MEMBER NOT FOUND, CHECK LOCATION



ONE BEAM - Mkd - 1M-454

| | | |
|----------|---------------------|------------|
| A | ISSUED FOR APPROVAL | 03/20/2020 |
| Rev | Description | Date |

| | | |
|---------------------------|---|--------------------|
| Rampart Steel Ltd. |  | Structural Steel |
| 6910 - 71 Street | | Miscellaneous Iron |
| Edmonton , Alberta | | Erection |

| | | | |
|---|---------------------------|--------------------------|---------------------------|
| Customer CLARK BUILDERS | | | |
| Contract SEVEN GENERATIONS ENERGY LTD. | | | |
| Drn. By GIR | Date 20.03.2020 | Job No. 10572S | Drg. No. 1M-454 |
| Chkd. By ARJ | Date Issued 20.03.2020 | Ref. E-117 | Rev. No. A |

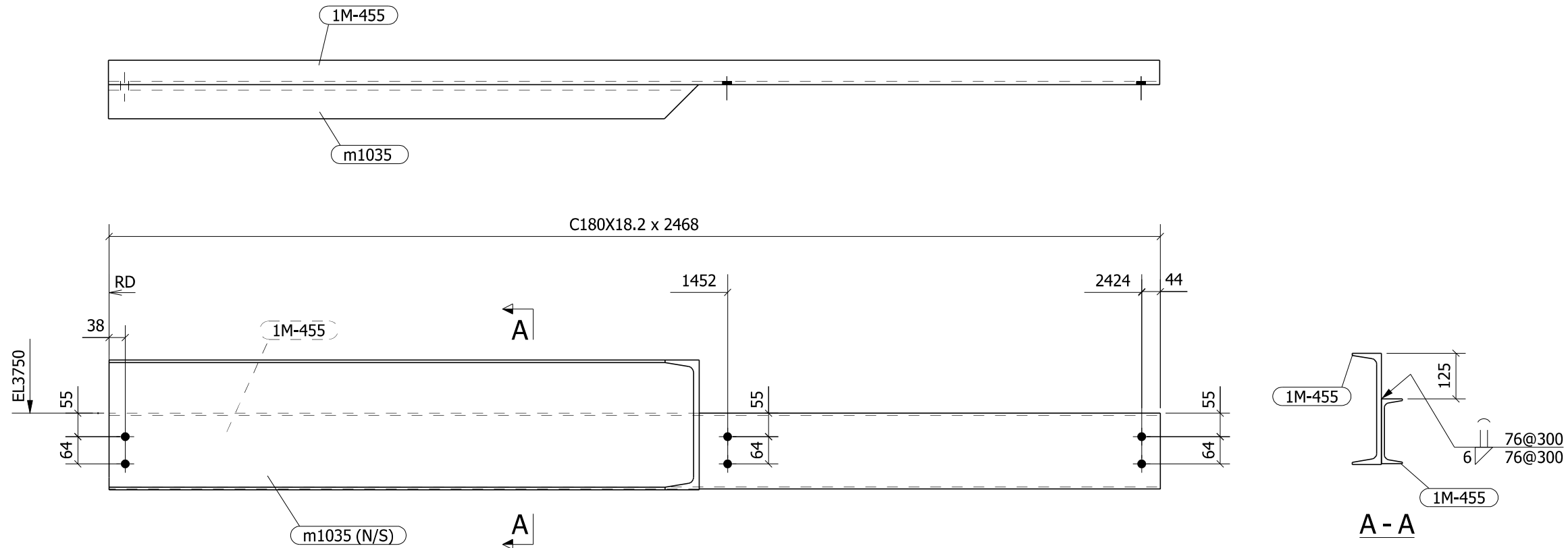
| | | |
|-------------|------------------|---------|
| Field Bolts | | |
| 4 | 3/4" Ø A325N | x1 3/4" |
| 5 | 5/8" Ø HILTI_KB3 | x6" |

| | | |
|--------|--|--|
| Fitter | | |
| Welder | | |

| |
|--------------------------------|
| Electrodes: E70XX |
| Welds: 6mm FILLET |
| Holes: 13/16" Ø |
| Bolts: A325N |
| Prep & Prime: SP3 & GREY 70327 |
| Paint: |

| Mark | Qty | Description | Grade | Length | Total Weight Lbs/Page | Remarks |
|--------|-----|-------------|-------|--------|--------------------------|---------|
| 1M-454 | ONE | BEAM | | | 80.17 | |
| 1M-454 | 1 | C200X17.1 | 350W | 1974 | 74.13 | |
| a1473 | 2 | L76X76X9.5 | 300W | 128 | 6.04 | |

| | |
|--------------|---------------|
| T.o.s. Elev. | Grid Location |
| +3.875 | 27-26/F1-G |



ONE BEAM - Mkd - 1M-455

| | | |
|----------|---------------------|------------|
| A | ISSUED FOR APPROVAL | 03/20/2020 |
| Rev | Description | Date |

| | | |
|---|---|--------------------|
| Rampart Steel Ltd. 6910 - 71 Street Edmonton , Alberta |  | Structural Steel |
| | | Miscellaneous Iron |
| | | Erection |

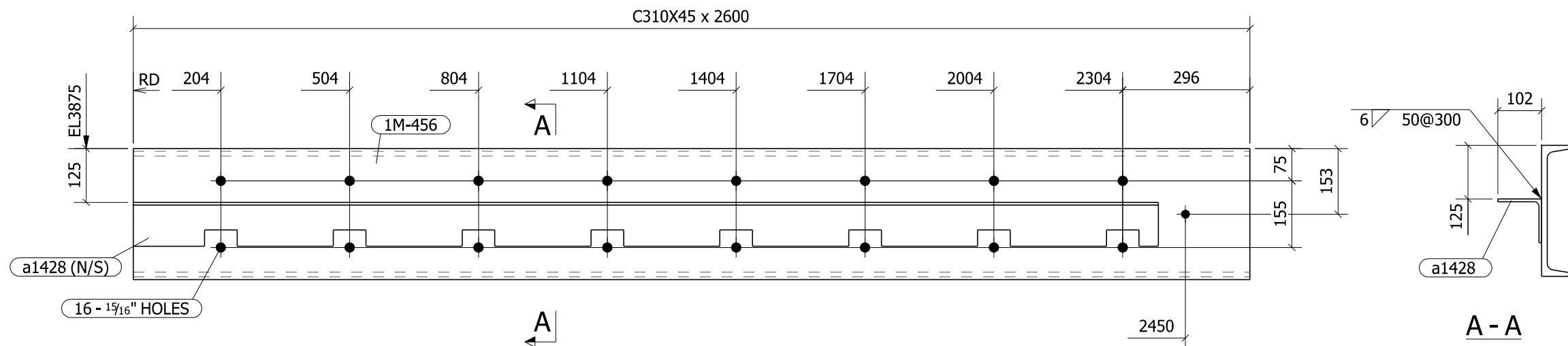
| | | | |
|---|---------------------------|--------------------------|---------------------------|
| Customer CLARK BUILDERS | | | |
| Contract SEVEN GENERATIONS ENERGY LTD. | | | |
| Drn. By SMY | Date 20.03.2020 | Job No. 10572S | Drg. No. 1M-455 |
| Chkd. By KEN | Date Issued 20.03.2020 | Ref. E-115 & E-116 | Rev. No. A |

| Mark | Qty | Description | Grade | Length | Total Weight Lbs/Page | Remarks |
|--------|-----|-------------|-------|--------|--------------------------|---------|
| 1M-455 | ONE | BEAM | | | 236.50 | |
| 1M-455 | 1 | C180X18.2 | 350W | 2468 | 99.09 | |
| m1035 | 1 | C310X45 | 350W | 1385 | 137.41 | |

| | |
|-------------|------------------------|
| Field Bolts | 2 3/4" Ø A325N x1 3/4" |
| Fitter | |
| Welder | |

| |
|--------------------------------|
| Electrodes: E70XX |
| Welds: 6mm FILLET |
| Holes: 13/16" Ø |
| Bolts: A325N |
| Prep & Prime: SP3 & GREY 70327 |
| Paint: |

| | |
|--------------|---------------|
| T.o.s. Elev. | Grid Location |
| +3.875 | 27/F1-G |



ONE BEAM - Mkd - 1M-456

| | | |
|-----|---------------------|------------|
| | ISSUED FOR APPROVAL | 03/20/2020 |
| Rev | Description | Date |

| | | |
|---|--|--------------------|
| Rampart Steel Ltd. 6910 - 71 Street Edmonton , Alberta | | Structural Steel |
| | | Miscellaneous Iron |
| | | Erection |

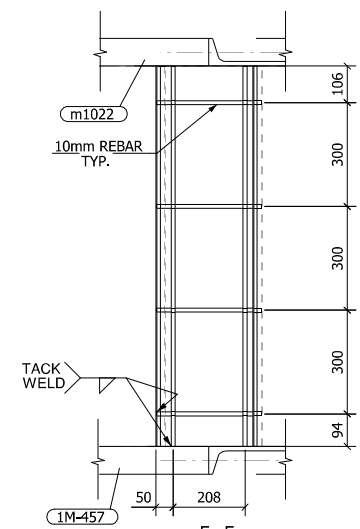
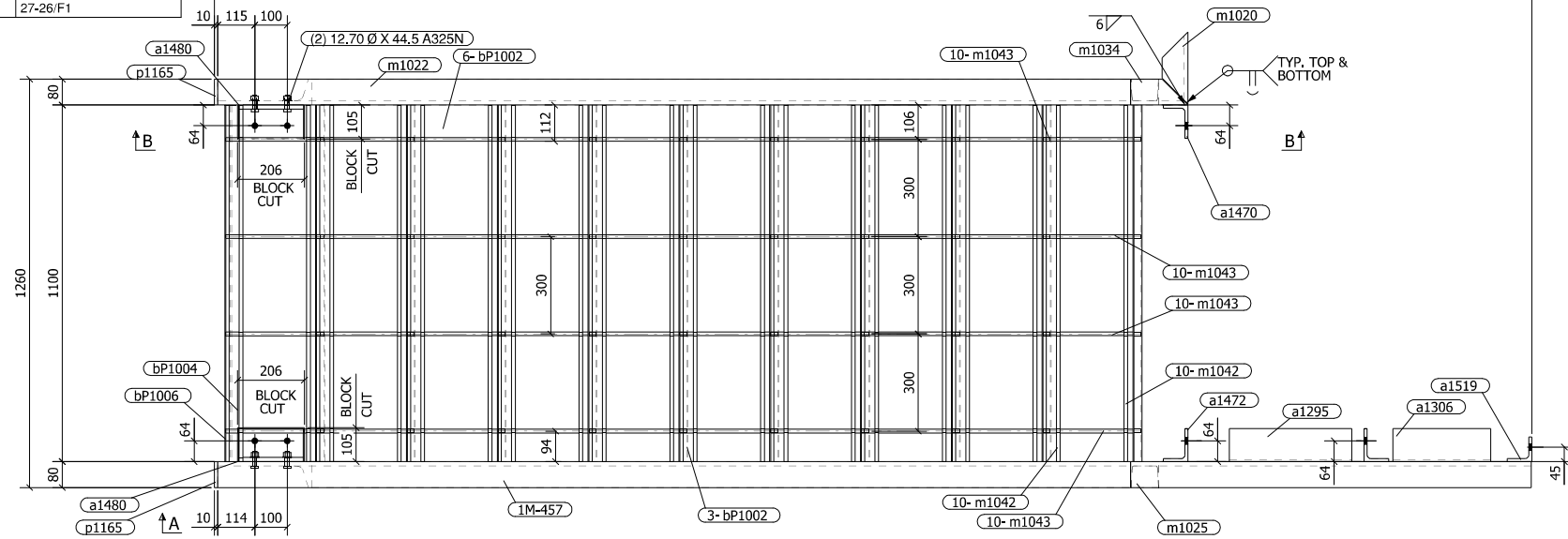
| | | | |
|---|---------------------------|--------------------------|---------------------------|
| Customer CLARK BUILDERS | | | |
| Contract SEVEN GENERATIONS ENERGY LTD. | | | |
| Drn. By SMY | Date 20.03.2020 | Job No. 10572S | Drg. No. 1M-456 |
| Chkd. By KEN | Date Issued 20.03.2020 | Ref. E-115 & E-116 | Rev. No. |

| Mark | Qty | Description | Grade | Length | Total Weight Lbs/Page | Remarks |
|--------|-----|--------------|-------|--------|--------------------------|---------|
| 1M-456 | ONE | BEAM | | | 309.76 | |
| 1M-456 | 1 | C310X45 | 350W | 2600 | 257.92 | |
| a1428 | 1 | L102X102X6.4 | 300W | 2387 | 51.84 | |

| | | |
|---------------|---------------------|---------|
| Field Bolts | 16 3/4" Ø HILTI_KB3 | x5 1/2" |
| | 1 3/4" Ø A325N | x2" |
| Fitter | | |
| Welder | | |
| Electrodes: | E70XX | |
| Welds: | 6mm FILLET | |
| Holes: | 13/16" Ø | |
| Bolts: | A325N | |
| Prep & Prime: | SP3 & GREY 70327 | |
| Paint: | | |

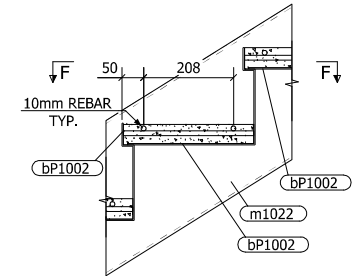
| | |
|--------------|---------------|
| T.o.s. Elev. | Grid Location |
| +1.950 | 27-26/F1 |

4062 (C310X45 x 3414)

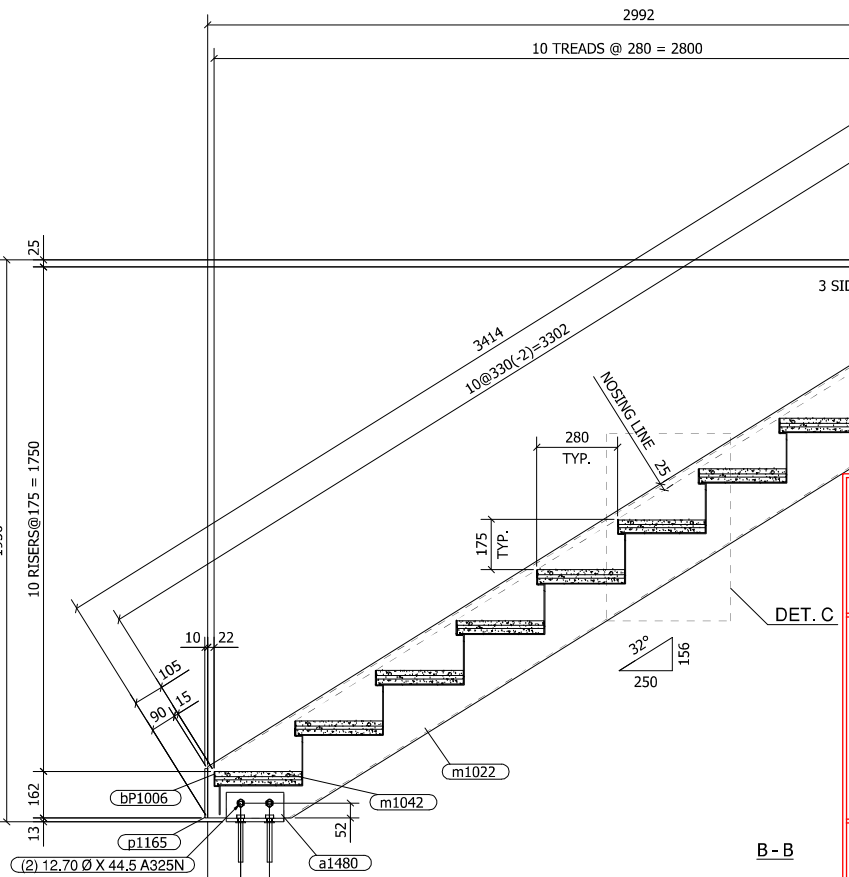
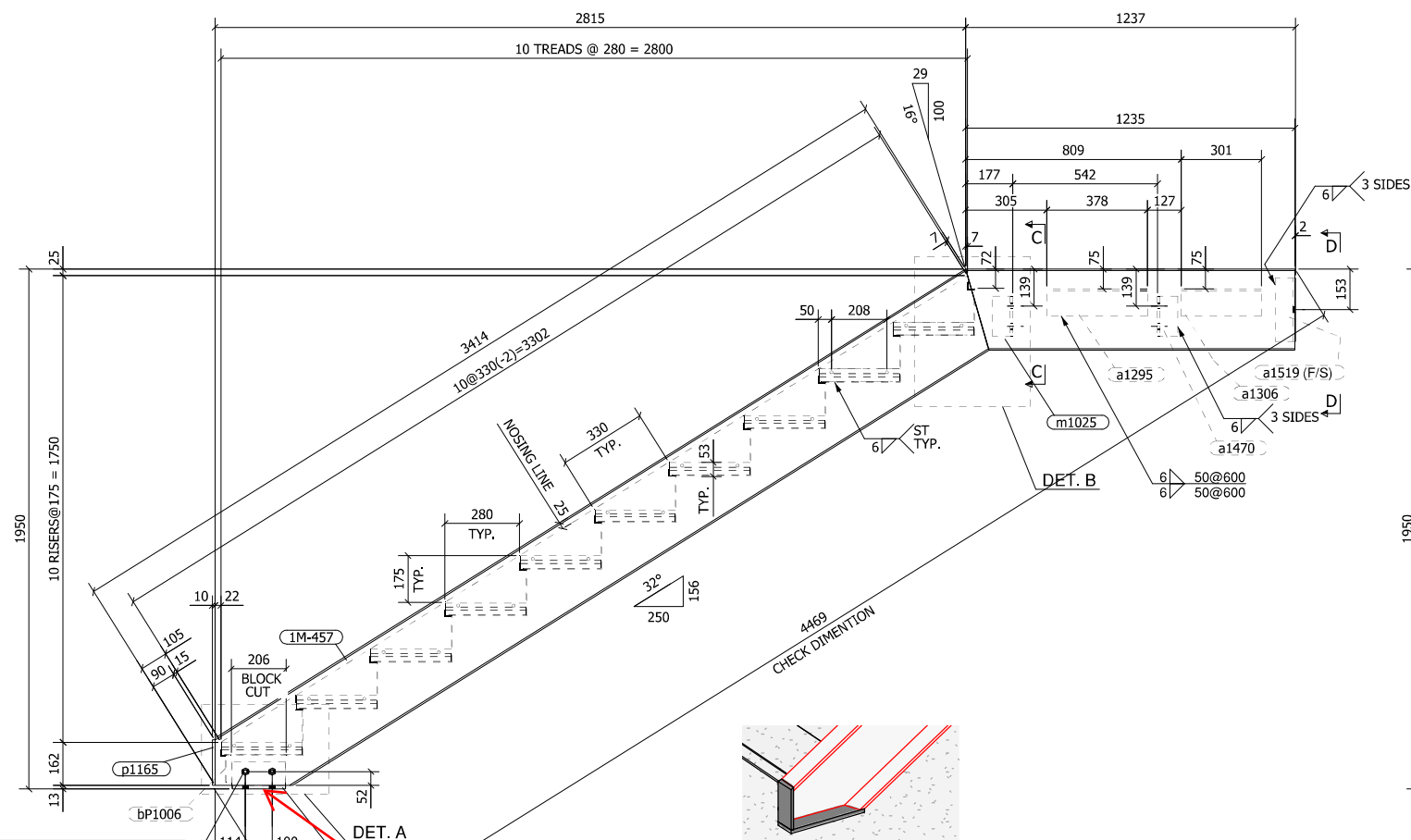


| Mark | Qty | Description | Length | Grade | Weight | Remarks |
|--------|-----|--------------|--------|-------|--------|---------|
| 1M-457 | 1 | C310X45 | 3414 | 350W | 339 | |
| a1295 | 1 | L102X102X6.4 | 378 | 300W | 8 | |
| a1306 | 1 | L102X102X6.4 | 301 | 300W | 7 | |
| a1470 | 2 | L102X76X9.5 | 152 | 300W | 4 | |
| a1472 | 1 | L102X76X9.5 | 152 | 300W | 4 | |
| a1480 | 2 | L102X102X13 | 200 | 300W | 8 | |
| a1519 | 1 | L76X76X9.5 | 239 | 300W | 6 | |
| bP1002 | 9 | SHT10GAX533 | 1100 | 300W | 30 | |
| bP1004 | 1 | SHT10GAX533 | 1100 | 300W | 30 | |
| bP1006 | 1 | SHT10GAX162 | 1100 | 300W | 9 | |
| m1020 | 1 | C310X45 | 222 | 350W | 22 | |
| m1022 | 1 | C310X45 | 3414 | 350W | 339 | |
| m1025 | 1 | C310X45 | 1235 | 350W | 123 | |
| m1034 | 1 | C310X45 | 177 | 350W | 18 | |
| m1042 | 20 | 10M REBAR | 1100 | - | 0 | |
| m1043 | 40 | 10M REBAR | 302 | - | 0 | |
| p1165 | 2 | PL10X80 | 172 | 300W | 2 | |

| Field Bolts | | |
|-------------|------------------|--------|
| 4 | 1/2" Ø A325N | 1 3/4" |
| 2 | 3/4" Ø A325N | 1 1/2" |
| 4 | 5/8" Ø HILTI_K63 | 6" |



DETAIL-C



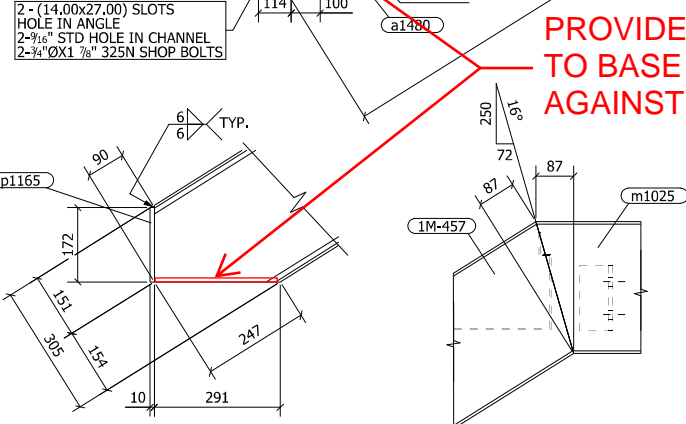
ARCHITECTURE

4212 - 98 St NW, Edmonton, AB T6E 6A1
780 451 4376
Info@L7arch.ca

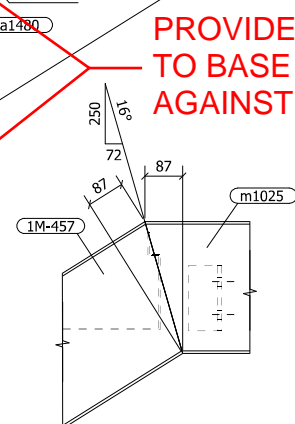
THIS REVIEW IS FOR THE SOLE PURPOSE OF ASCERTAINING CONFORMANCE WITH THE GENERAL DESIGN CONCEPT. THIS REVIEW SHALL NOT MEAN APPROVAL OF THE DETAIL DESIGN INHERENT IN THE SHOP DRAWINGS, RESPONSIBILITY FOR WHICH SHALL REMAIN WITH THE CONTRACTOR SUBMITTING SAME, AND SUCH REVIEW SHALL NOT RELIEVE THE CONTRACTOR OF HIS RESPONSIBILITY FOR MEETING ALL REQUIREMENTS OF THE CONTRACT DOCUMENTS. THE CONTRACTOR IS RESPONSIBLE FOR DIMENSIONS TO BE CONFIRMED AND CORRELATED AT THE JOB SITE, FOR INFORMATION THAT PERTAINS SOLELY TO FABRICATION PROCESSED OR TO TECHNIQUES OF CONSTRUCTION AND INSTALLATION AND COORDINATION OF THE WORK OF ALL SUB-TRADES.

REVIEWED BY: **GH** DATE: **02/APR/2020**

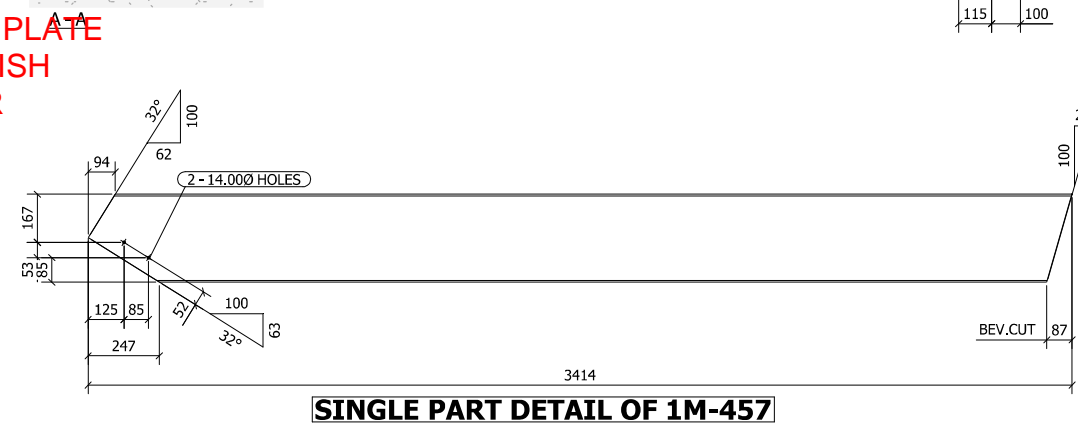
AS SUBMITTED REVISE & RESUBMIT
 REVISE AS NOTED. DO NOT RESUBMIT NOT REVIEWED



DETAIL-A



DETAIL-B
SHOP TO WELD STRINGER AS REQUIRED TO SUIT



SINGLE PART DETAIL OF 1M-457

ONE STAIR ASSEMBLY - Mkd - 1M-457

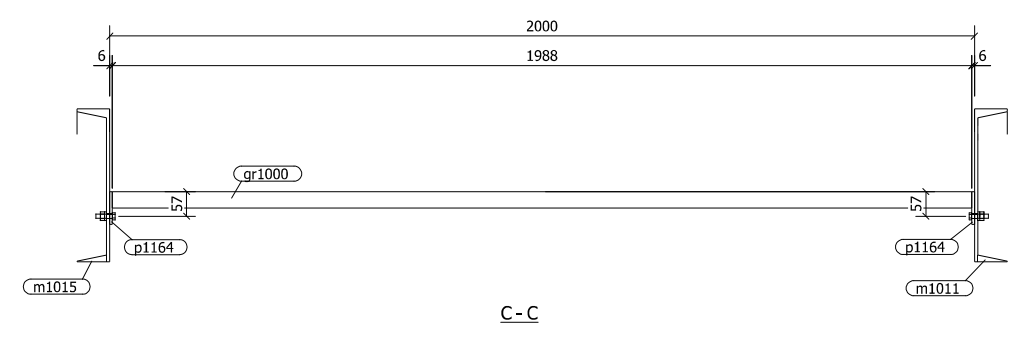
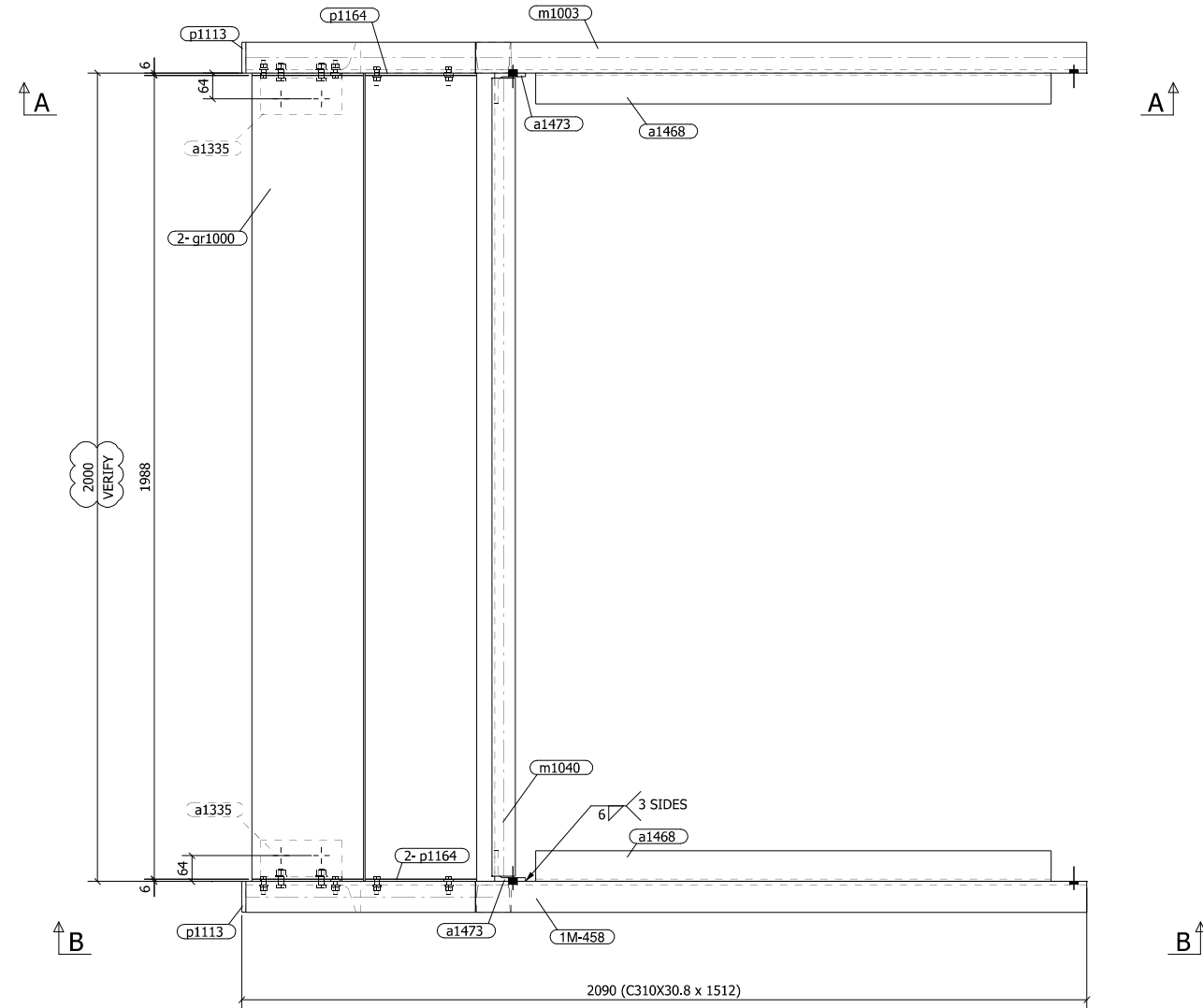
General Notes:

Electrodes: E70XX
Welds: 6mm FILLET
Holes: 13/16" Ø
Bolts: A325N
Prep & Prime: SP3 & GREY 70327
Paint:

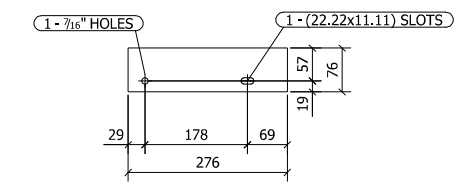
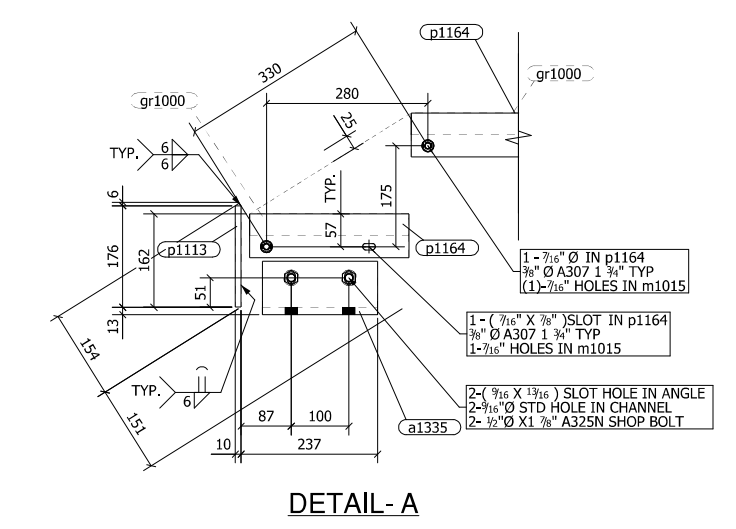
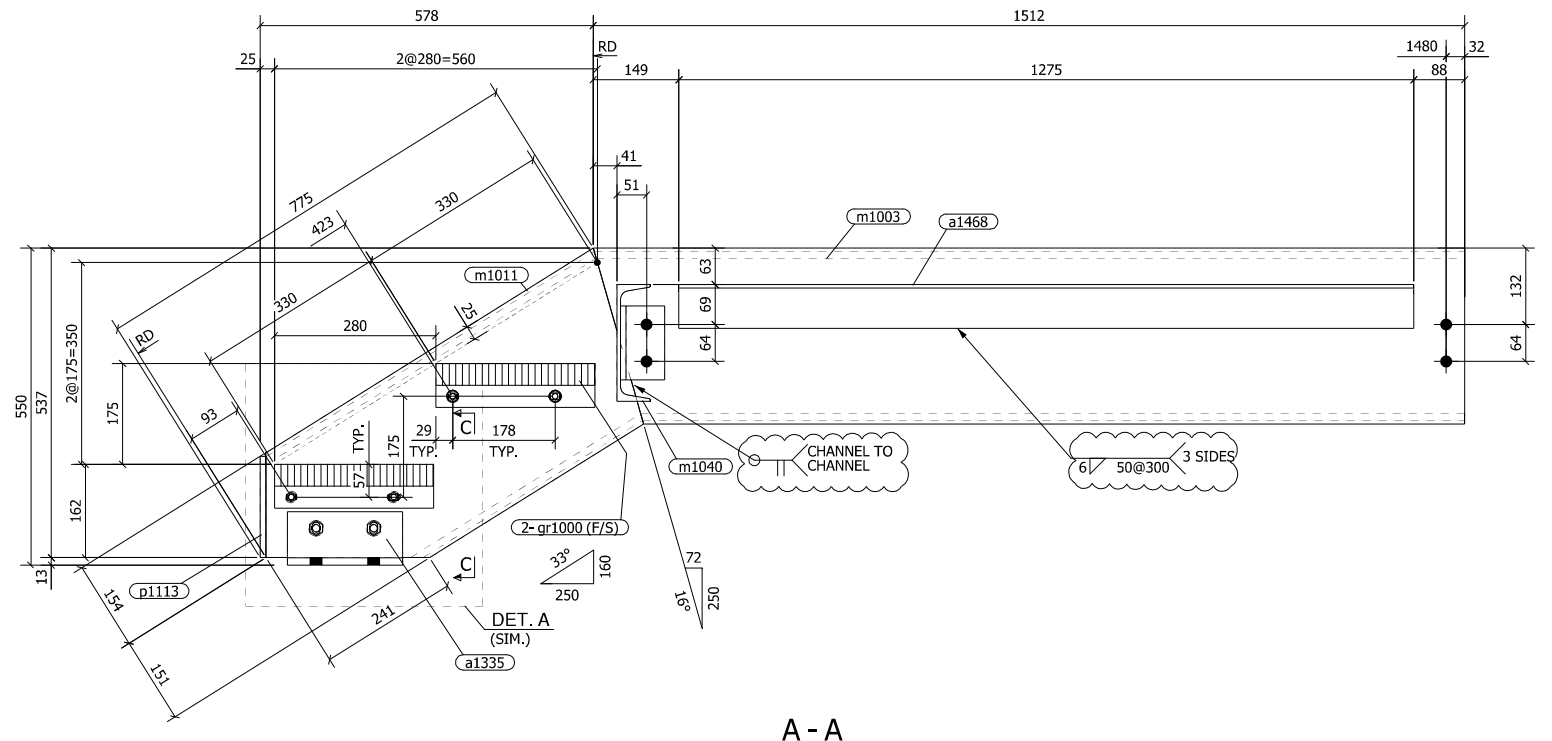
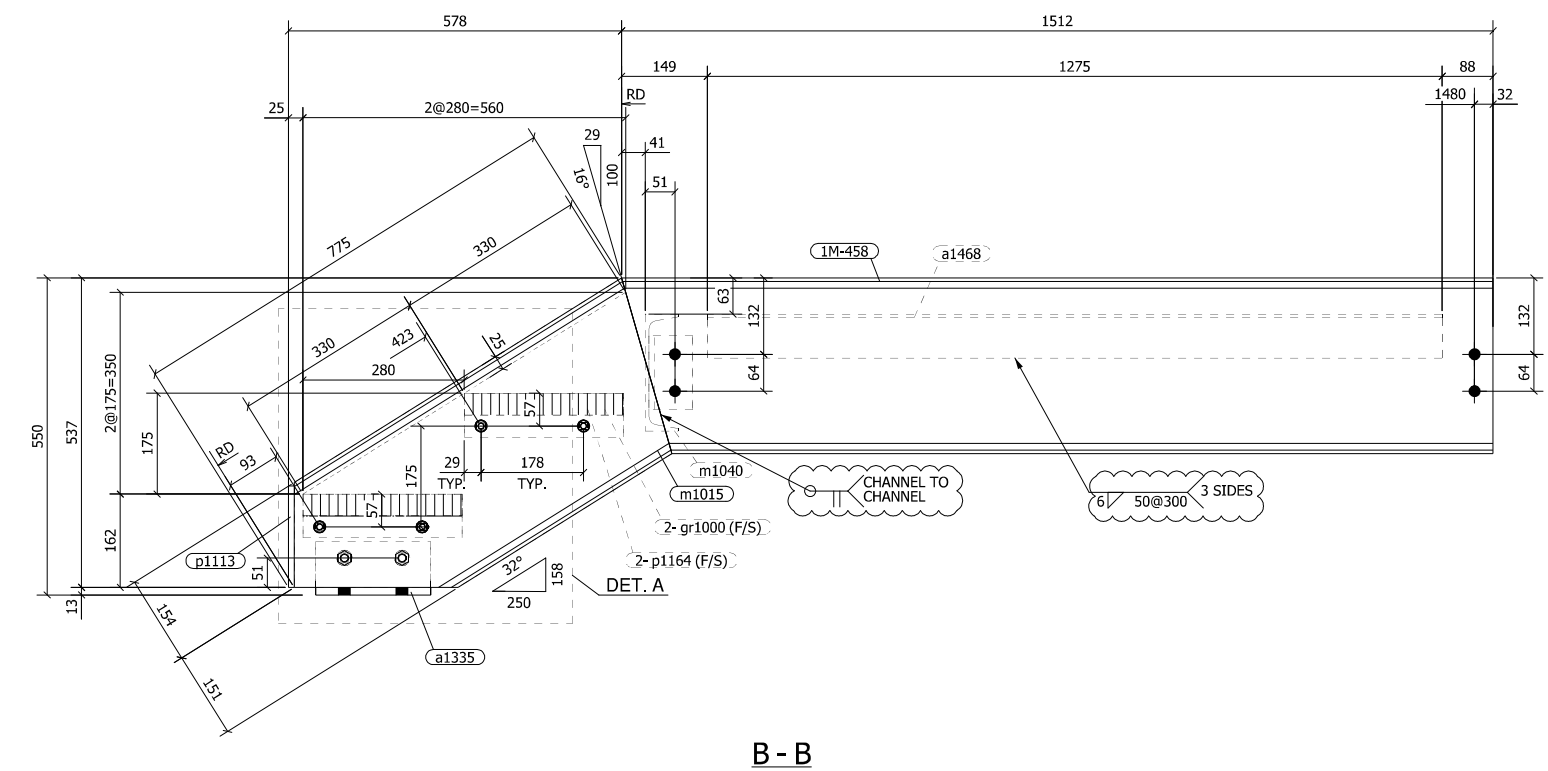
| Rev | Description | Date |
|-----|---------------------|------------|
| 1 | ISSUED FOR APPROVAL | 03/20/2020 |

| | | | | |
|---------------------------------------|-------------|-------------------------------|--------------------------------|--|
| Rampart Steel Ltd. | | | Structural Steel | |
| 6910 - 71 Street Edmonton, Alberta | | | Miscellaneous Iron Erection | |
| Customer | | CLARK BUILDERS | | |
| Contract | | SEVEN GENERATIONS ENERGY LTD. | | |
| Detail | | STAIR ASSEMBLY | | |
| Drn. By | Date | Job No. | Sheet No. | |
| GIR | 20.03.2020 | 10572S | 1M-457 | |
| Chkd. By | Date Issued | Ref. | Rev. No. | |
| HRR | 20.03.2020 | E-115 & E-116 | | |

| | |
|--------------|---------------|
| T.o.s. Elev. | Grid Location |
| +0.025 | 30-29/H-J |



| Mark | Qty | Description | Length | Grade | Weight | Remarks |
|-------------|------------------|-------------|--------|------------|--------|------------|
| 1M-458 | 1 | C310X30.8 | 1512 | 350W | 103 | |
| a1335 | 2 | L102X102X13 | 200 | 300W | 8 | TRIM |
| a1468 | 2 | L76X76X6.4 | 1275 | 300W | 20 | |
| a1473 | 2 | L76X76X9.5 | 128 | 300W | 3 | |
| gr1000 | 2 | GRTG38X276 | 1988 | GRTS_1_1/2 | 65 | GALVANIZED |
| m1003 | 1 | C310X30.8 | 1512 | 350W | 103 | |
| m1011 | 1 | C310X30.8 | 766 | 350W | 52 | |
| m1015 | 1 | C310X30.8 | 766 | 350W | 52 | |
| m1040 | 1 | C200X17.1 | 1974 | 350W | 74 | |
| p1113 | 2 | PL10X76 | 176 | 300W | 2 | |
| p1164 | 4 | PL6X76 | 276 | 300W | 2 | GALVANIZED |
| Field Bolts | | | | | | |
| 4 | 3/4" Ø A325N | 1 3/4" | | | | |
| 4 | 5/8" Ø HILTI KE3 | 6" | | | | |



SHOP NOTE:
THREAD WITH
CHECKER PLATE NOSING

B - B

DETAIL-A

ONE STRINGER - Mkd - 1M-458

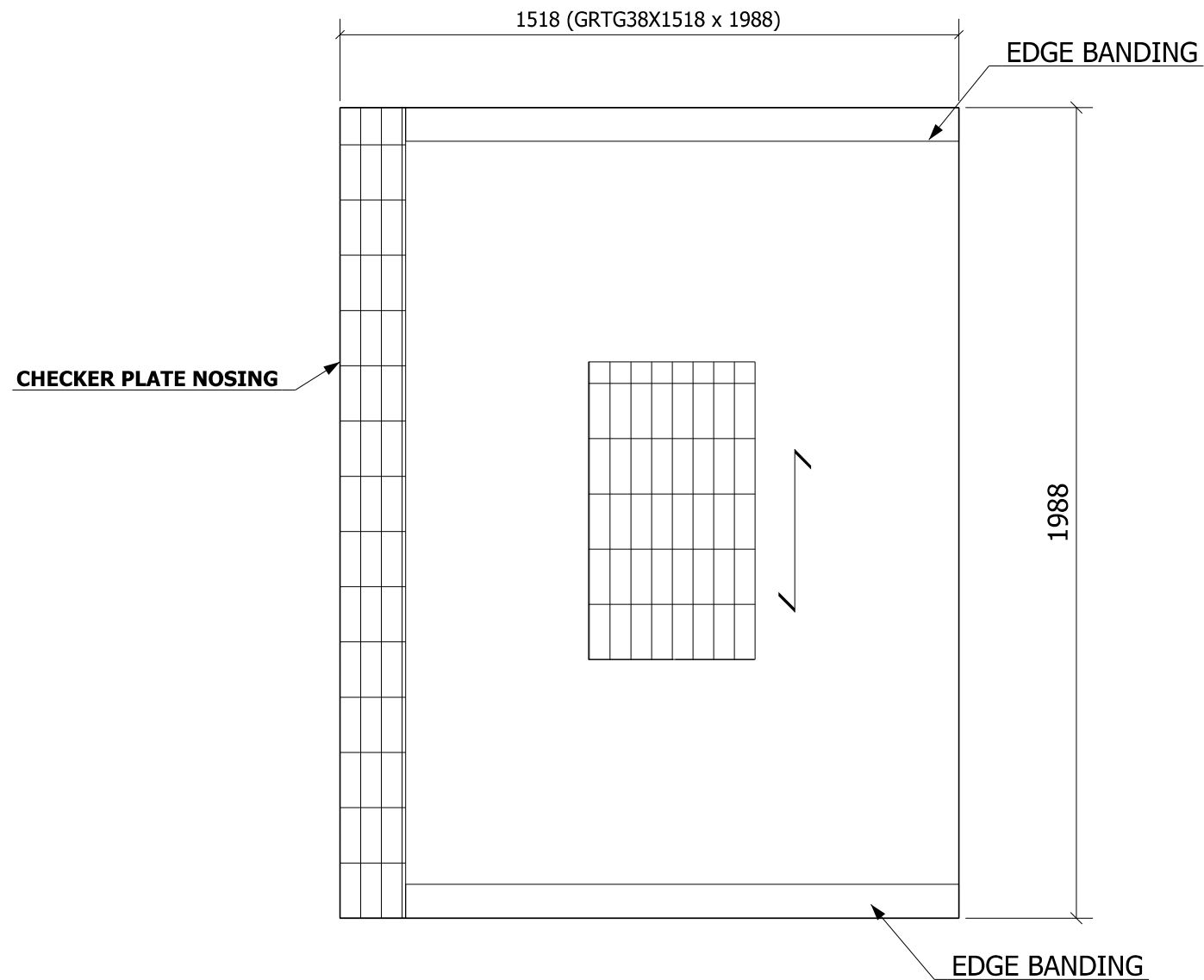
General Notes:

Electrodes: E70XX
Welds: 6mm FILLET
Holes: 13/16" Ø
Bolts: A325N
Prep & Prime: SP3 & GREY 70327
Paint:

| | | | |
|--|-------------|-------------------------------|-----------|
| ISSUED FOR APPROVAL | | 03/20/2020 | |
| Rev | Description | Date | |
| Rampart Steel Ltd. 6910 - 71 Street Edmonton, Alberta | | | |
| Customer | | CLARK BUILDERS | |
| Contract | | SEVEN GENERATIONS ENERGY LTD. | |
| Detail | | STRINGER | |
| Drn. By | Date | Job No. | Sheet No. |
| GIR | 20.03.2020 | 10572S | 1M-458 |
| Chkd. By | Date Issued | Ref. | Rev. No. |
| ARJ | 20.03.2020 | E-117 | |

| | |
|--------------|---------------|
| T.o.s. Elev. | Grid Location |
| +0.000 | 30-29/H-J |

GRATING NOT FOUND, CHECK LOCATION



EOR:VERIFY AND CONFIRM GRATING DETAIL.

GALVANIZED 38mm X 4.8 THICK TYPE 30-102 GRATING WITH BANDING

ONE 1 1/2" THK GRATING - Mkd - 1M-45

| | | |
|-----|---------------------|------------|
| | ISSUED FOR APPROVAL | 03/20/2020 |
| Rev | Description | Date |

| | | |
|---------------------------|--|--------------------|
| Rampart Steel Ltd. | | Structural Steel |
| 6910 - 71 Street | | Miscellaneous Iron |
| Edmonton , Alberta | | Erection |

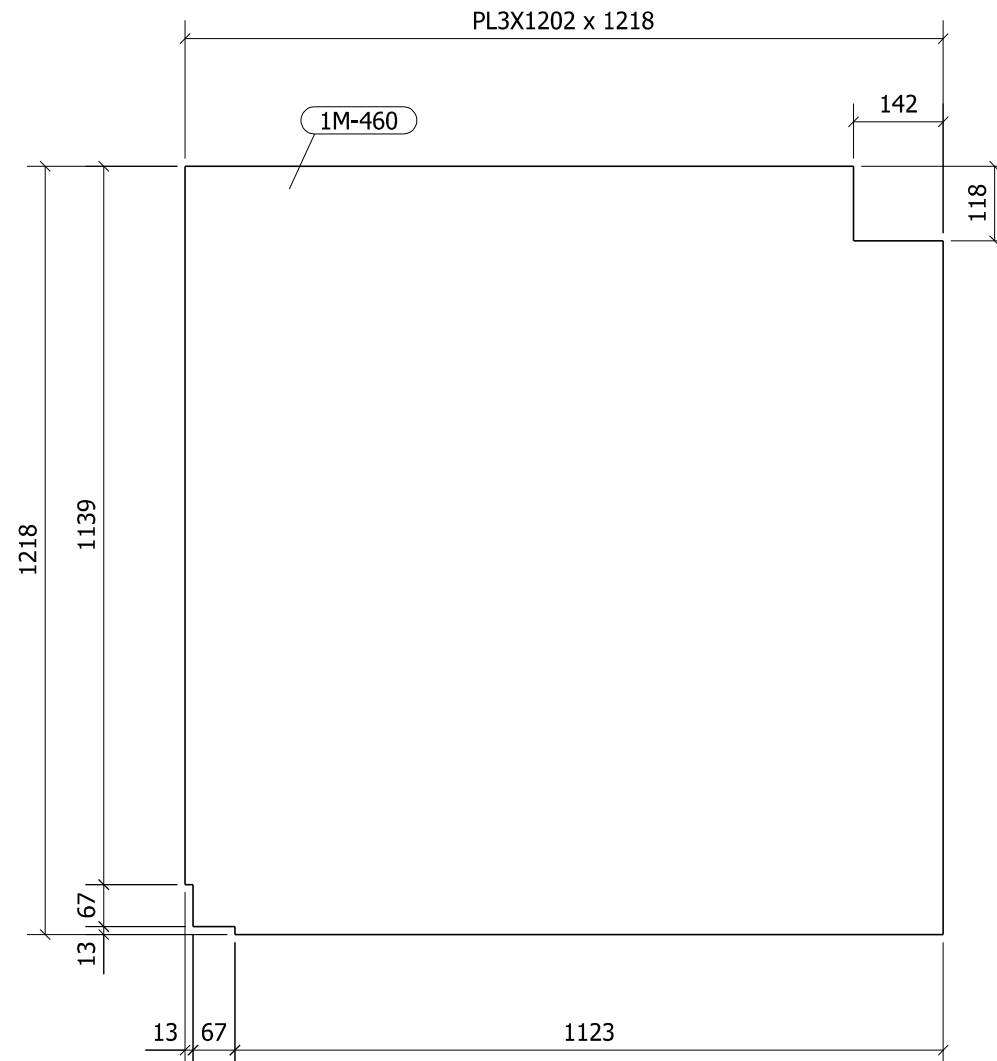
| | | | |
|---|---------------------------|--------------------------|---------------------------|
| Customer CLARK BUILDERS | | | |
| Contract SEVEN GENERATIONS ENERGY LTD. | | | |
| Drn. By GIR | Date 20.03.2020 | Job No. 10572S | Drg. No. 1M-459 |
| Chkd. By ARJ | Date Issued 20.03.2020 | Ref. E-117 | Rev. No. |

| Mark | Qty | Description | Grade | Length | Total Weight Lbs/Page | Remarks |
|--------|-----|--------------------|------------|--------|--------------------------|---------|
| 1M-459 | ONE | 1 1/2" THK GRATING | | | 359.61 | |
| 1M-459 | 1 | GRTG38X1518 | GRTS_1_1/2 | 1988 | 359.61 | |

| |
|-------------|
| Field Bolts |
| Fitter |
| Welder |

| |
|-------------------------|
| Electrodes: E70XX |
| Welds: 6mm FILLET |
| Holes: 13/16" Ø |
| Bolts: A325N |
| Prep & Prime: GALVANIZE |
| Paint: |

| | |
|--------------|---------------|
| T.o.s. Elev. | Grid Location |
| +1.878 | 27-26/F1-G |



ONE PLATE - Mkd - 1M-460

| | | |
|----------|---------------------|------------|
| A | ISSUED FOR APPROVAL | 03/20/2020 |
| Rev | Description | Date |

| | | |
|---|---|--------------------|
| Rampart Steel Ltd. 6910 - 71 Street Edmonton , Alberta |  | Structural Steel |
| | | Miscellaneous Iron |
| | | Erection |

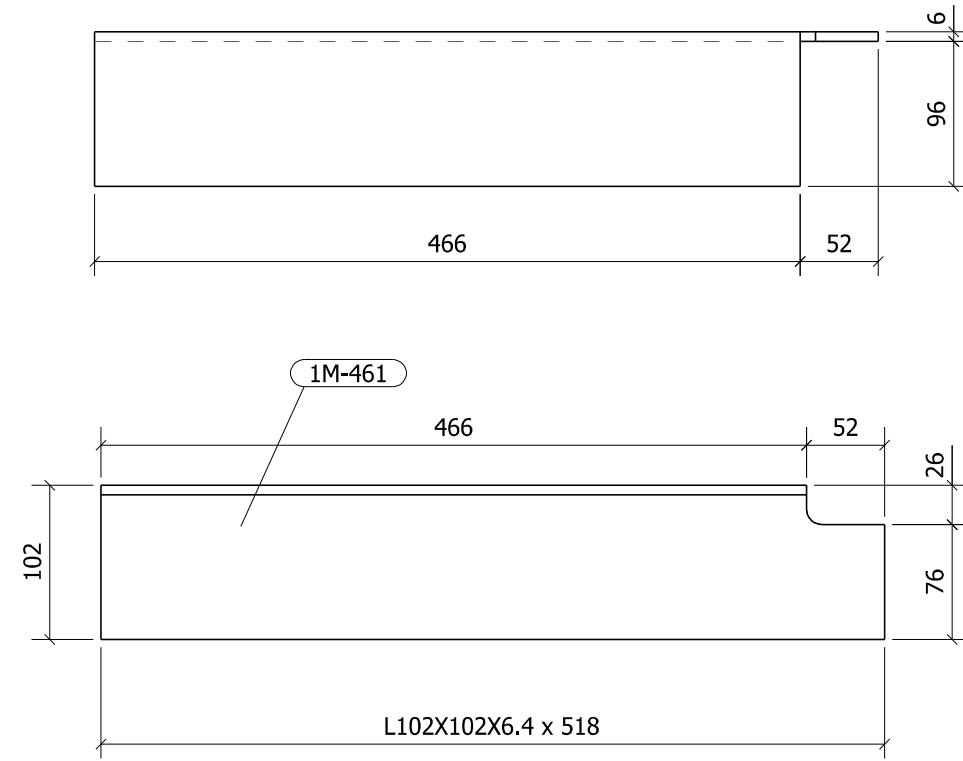
| | | | |
|---|---------------------------|--------------------------|---------------------------|
| Customer CLARK BUILDERS | | | |
| Contract SEVEN GENERATIONS ENERGY LTD. | | | |
| Drn. By SMY | Date 20.03.2020 | Job No. 10572S | Drg. No. 1M-460 |
| Chkd. By KEN | Date Issued 20.03.2020 | Ref. E-115 & E-116 | Rev. No. A |

| Mark | Qty | Description | Grade | Length | Total Weight Lbs/Page | Remarks |
|--------|-----|-------------|-------|--------|--------------------------|---------|
| 1M-460 | ONE | PLATE | | | 75.04 | |
| 1M-460 | 1 | PL3X1202 | 300W | 1218 | 76.01 | |

| |
|-------------|
| Field Bolts |
| Fitter |
| Welder |

| |
|--------------------------------|
| Electrodes: E70XX |
| Welds: 6mm FILLET |
| Holes: 13/16" Ø |
| Bolts: A325N |
| Prep & Prime: SP3 & GREY 70327 |
| Paint: |

| | |
|--------------|---------------|
| T.o.s. Elev. | Grid Location |
| +1.875 | 27-26/F1-G |



ONE ANGLE - Mkd - 1M-461

| | | |
|-----|---------------------|------------|
| | ISSUED FOR APPROVAL | 03/20/2020 |
| Rev | Description | Date |

| | | |
|---|--|--------------------------------|
| Rampart Steel Ltd. 6910 - 71 Street Edmonton , Alberta | | Structural Steel |
| | | Miscellaneous Iron Erection |

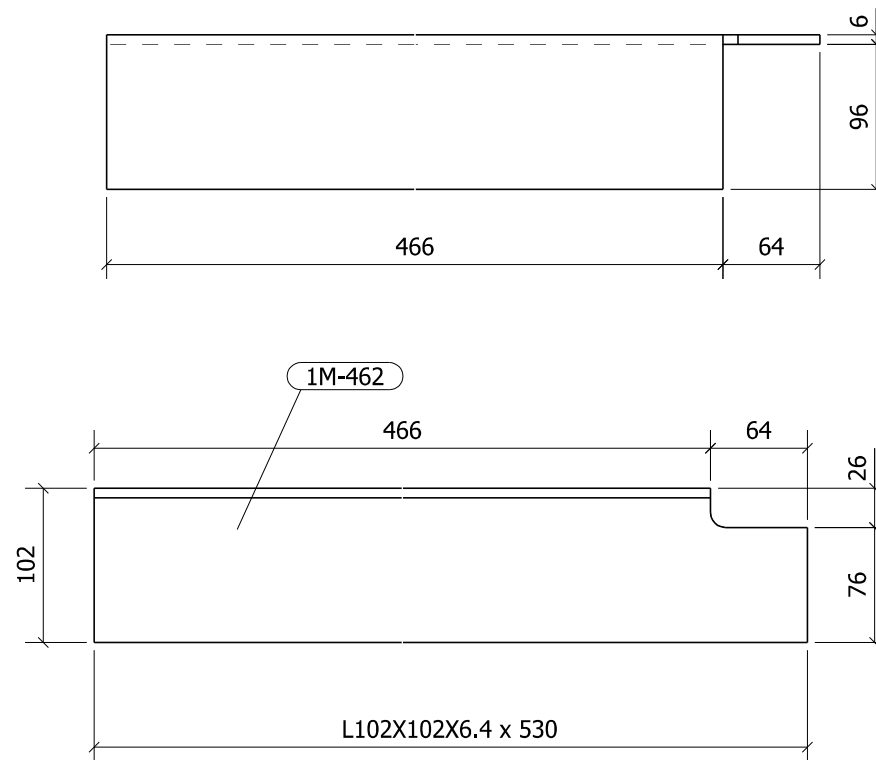
| | | | |
|----------|-------------|--------------------------------------|---------------|
| Customer | | CLARK BUILDERS | |
| Contract | | SEVEN GENERATIONS ENERGY LTD. | |
| Drn. By | Date | Job No. | Drg. No. |
| SMY | 20.03.2020 | 10572S | 1M-461 |
| Chkd. By | Date Issued | Ref. | Rev. No. |
| KEN | 20.03.2020 | E-115 & E-116 | |

| Mark | Qty | Description | Grade | Length | Total Weight Lbs/Page | Remarks |
|--------|-----|--------------|-------|--------|--------------------------|---------|
| 1M-461 | ONE | ANGLE | | | 11.24 | |
| 1M-461 | 1 | L102X102X6.4 | 300W | 518 | 11.24 | |

| |
|-------------|
| Field Bolts |
| Fitter |
| Welder |

| |
|--------------------------------|
| Electrodes: E70XX |
| Welds: 6mm FILLET |
| Holes: 13/16" Ø |
| Bolts: A325N |
| Prep & Prime: SP3 & GREY 70327 |
| Paint: |

| | |
|--------------|---------------|
| T.o.s. Elev. | Grid Location |
| +1.875 | 27-26/F1-G |



ONE ANGLE - Mkd - 1M-462

| | | |
|-----|---------------------|------------|
| | ISSUED FOR APPROVAL | 03/20/2020 |
| Rev | Description | Date |

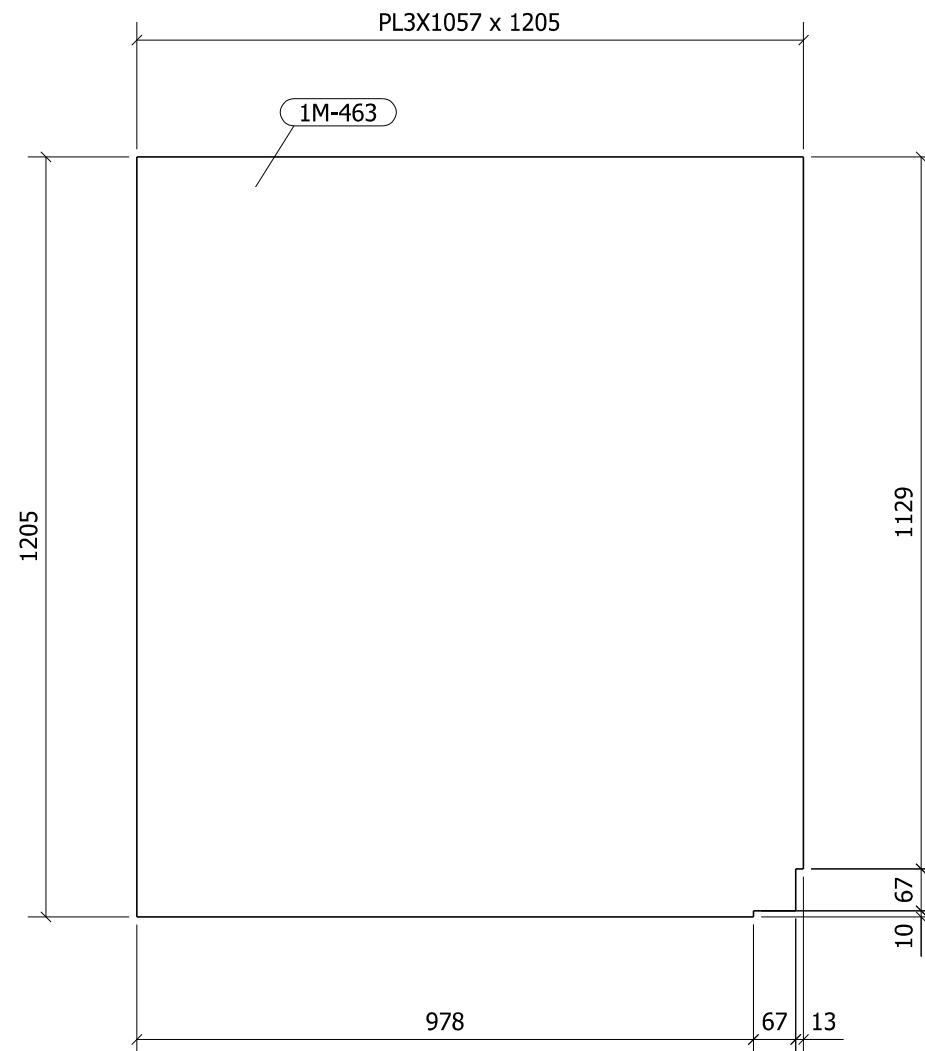
| | | |
|---|--|--------------------------------|
| Rampart Steel Ltd. 6910 - 71 Street Edmonton , Alberta | | Structural Steel |
| | | Miscellaneous Iron Erection |

| | | | |
|----------|-------------|--------------------------------------|---------------|
| Customer | | CLARK BUILDERS | |
| Contract | | SEVEN GENERATIONS ENERGY LTD. | |
| Drn. By | Date | Job No. | Drg. No. |
| SMY | 20.03.2020 | 10572S | 1M-462 |
| Chkd. By | Date Issued | Ref. | Rev. No. |
| KEN | 20.03.2020 | E-115 & E-116 | |

| Mark | Qty | Description | Grade | Length | Total Weight Lbs/Page | Remarks |
|--------|-----|--------------|-------|--------|--------------------------|---------|
| 1M-462 | ONE | ANGLE | | | 11.51 | |
| 1M-462 | 1 | L102X102X6.4 | 300W | 530 | 11.51 | |

| | |
|---------------|------------------|
| Field Bolts | |
| Fitter | |
| Welder | |
| Electrodes: | E70XX |
| Welds: | 6mm FILLET |
| Holes: | 13/16" Ø |
| Bolts: | A325N |
| Prep & Prime: | SP3 & GREY 70327 |
| Paint: | |

| | |
|--------------|---------------|
| T.o.s. Elev. | Grid Location |
| +1.878 | 27-26/F1-G |



ONE PLATE - Mkd - 1M-463

| | | |
|-----|---------------------|------------|
| | ISSUED FOR APPROVAL | 03/20/2020 |
| Rev | Description | Date |

| | | |
|---|--|--------------------------------|
| Rampart Steel Ltd. 6910 - 71 Street Edmonton , Alberta | | Structural Steel |
| | | Miscellaneous Iron Erection |

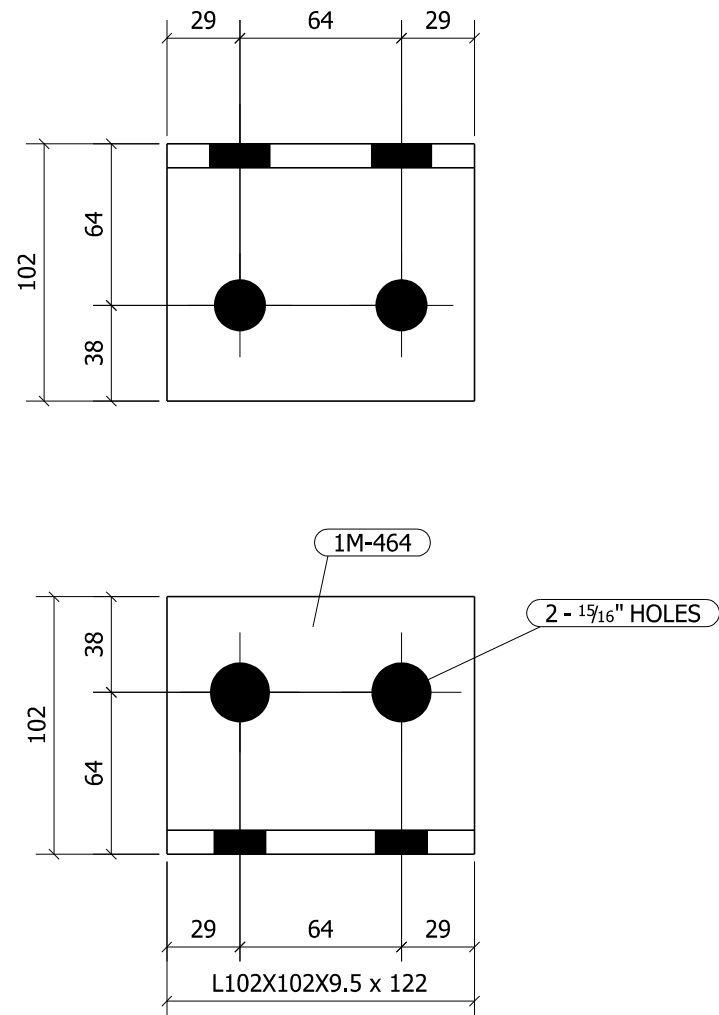
| | | | |
|---|---------------------------|--------------------------|---------------------------|
| Customer CLARK BUILDERS | | | |
| Contract SEVEN GENERATIONS ENERGY LTD. | | | |
| Drn. By SMY | Date 20.03.2020 | Job No. 10572S | Drg. No. 1M-463 |
| Chkd. By KEN | Date Issued 20.03.2020 | Ref. E-115 & E-116 | Rev. No. |

| Mark | Qty | Description | Grade | Length | Total Weight Lbs/Page | Remarks |
|--------|-----|-------------|-------|--------|--------------------------|---------|
| 1M-463 | ONE | PLATE | | | 66.05 | |
| 1M-463 | 1 | PL3X1057 | 300W | 1205 | 66.13 | |

| |
|-------------|
| Field Bolts |
| Fitter |
| Welder |

| |
|--------------------------------|
| Electrodes: E70XX |
| Welds: 6mm FILLET |
| Holes: 13/16" Ø |
| Bolts: A325N |
| Prep & Prime: SP3 & GREY 70327 |
| Paint: |

| | |
|--------------|---------------|
| T.o.s. Elev. | Grid Location |
| +3.724 | 27-26/F1 |



ONE ANGLE - Mkd - 1M-464

| | | |
|-----|---------------------|------------|
| | ISSUED FOR APPROVAL | 03/20/2020 |
| Rev | Description | Date |

| | | |
|---|---|--------------------------------|
| Rampart Steel Ltd. 6910 - 71 Street Edmonton , Alberta |  | Structural Steel |
| | | Miscellaneous Iron Erection |

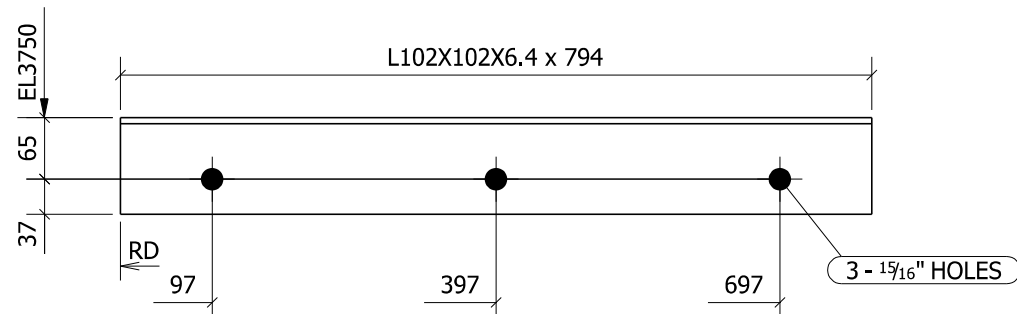
| | | | |
|---|---------------------------|--------------------------|---------------------------|
| Customer CLARK BUILDERS | | | |
| Contract SEVEN GENERATIONS ENERGY LTD. | | | |
| Drn. By SMY | Date 20.03.2020 | Job No. 10572S | Drg. No. 1M-464 |
| Chkd. By KEN | Date Issued 20.03.2020 | Ref. E-115 & E-116 | Rev. No. |

| Mark | Qty | Description | Grade | Length | Total Weight Lbs/Page | Remarks |
|--------|-----|--------------|-------|--------|--------------------------|---------|
| 1M-464 | ONE | ANGLE | | | 3.90 | |
| 1M-464 | 1 | L102X102X9.5 | 300W | 122 | 3.90 | |

| | |
|-------------|--------------------------|
| Field Bolts | |
| 2 | 3/4" Ø A325N x2 1/4" |
| 2 | 3/4" Ø HILTI_HUS x1 7/8" |
| Fitter | |
| Welder | |

| |
|--------------------------------|
| Electrodes: E70XX |
| Welds: 6mm FILLET |
| Holes: 13/16" Ø |
| Bolts: A325N |
| Prep & Prime: SP3 & GREY 70327 |
| Paint: |

| | |
|--------------|---------------|
| T.o.s. Elev. | Grid Location |
| +3.750 | 27-26/F1 |



ONE ANGLE - Mkd - 1M-465

| | | |
|-----|---------------------|------------|
| | ISSUED FOR APPROVAL | 03/20/2020 |
| Rev | Description | Date |

| | | |
|---|--|--------------------|
| Rampart Steel Ltd. 6910 - 71 Street Edmonton , Alberta | | Structural Steel |
| | | Miscellaneous Iron |
| | | Erection |

| | | | |
|---|---------------------------|--------------------------|---------------------------|
| Customer CLARK BUILDERS | | | |
| Contract SEVEN GENERATIONS ENERGY LTD. | | | |
| Drn. By SMY | Date 20.03.2020 | Job No. 10572S | Drg. No. 1M-465 |
| Chkd. By KEN | Date Issued 20.03.2020 | Ref. E-115 & E-116 | Rev. No. |

| Mark | Qty | Description | Grade | Length | Total Weight Lbs/Page | Remarks |
|--------|-----|--------------|-------|--------|--------------------------|---------|
| 1M-465 | ONE | ANGLE | | | 17.25 | |
| 1M-465 | 1 | L102X102X6.4 | 300W | 794 | 17.25 | |

| |
|----------------------------|
| Field Bolts |
| 3 3/4" Ø HILTI_KB3 x5 1/2" |
| Fitter |
| Welder |

| |
|--------------------------------|
| Electrodes: E70XX |
| Welds: 6mm FILLET |
| Holes: 13/16" Ø |
| Bolts: A325N |
| Prep & Prime: SP3 & GREY 70327 |
| Paint: |

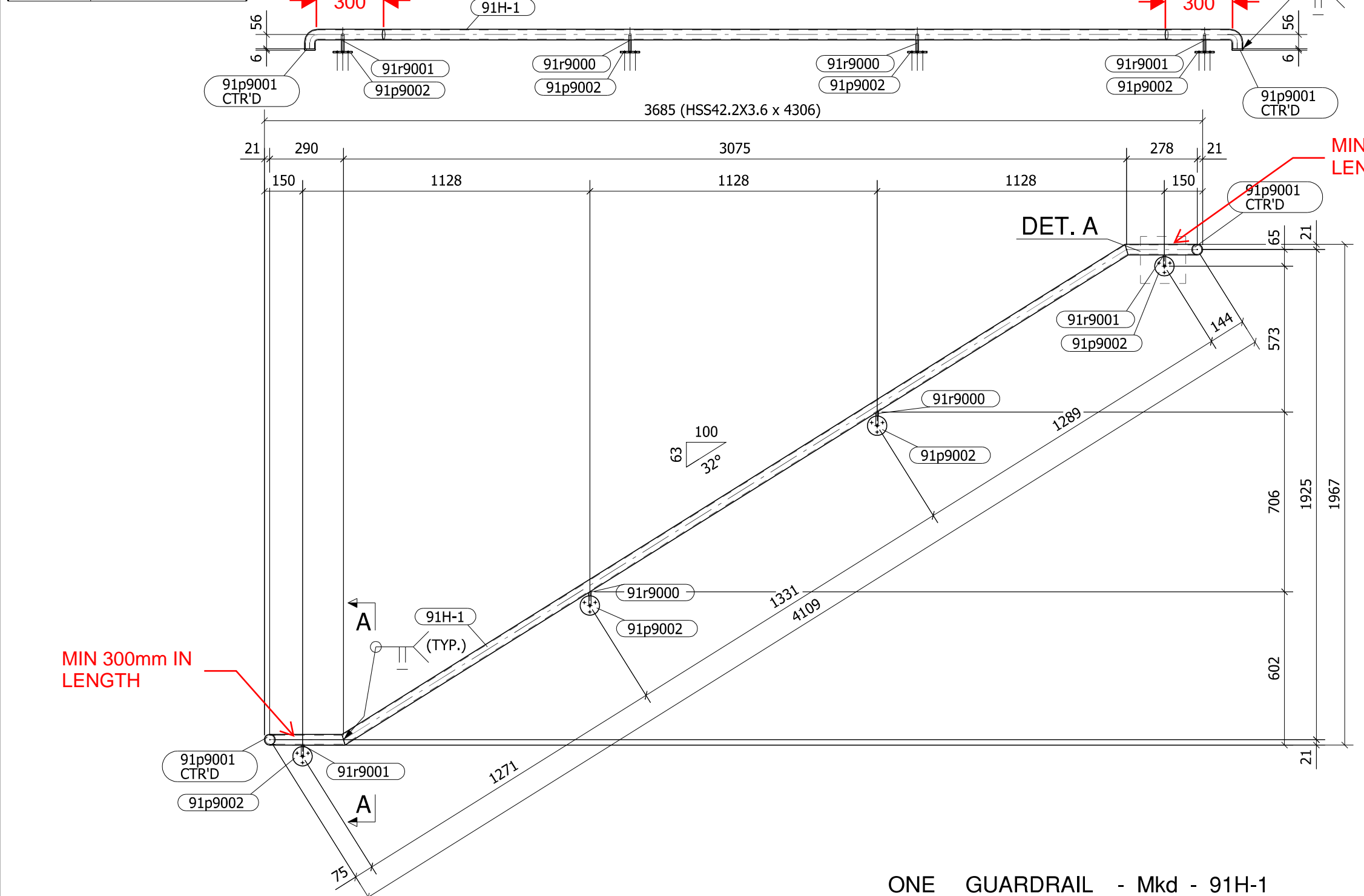
| | |
|--------------|---------------|
| T.o.s. Elev. | Grid Location |
| +2.995 | 27-26/F1 |

L7 ARCHITECTURE
 4212 - 96 St NW, Edmonton, AB T6E 6A1
 780 451 4376
 info@l7arch.ca

THIS REVIEW IS FOR THE SOLE PURPOSE OF ASCERTAINING CONFORMANCE WITH THE GENERAL DESIGN CONCEPT. THIS REVIEW SHALL NOT MEAN APPROVAL OF THE DETAIL DESIGN INHERENT IN THE SHOP DRAWINGS, RESPONSIBILITY FOR WHICH SHALL REMAIN WITH THE CONTRACTOR SUBMITTING SAME, AND SUCH REVIEW SHALL NOT RELIEVE THE CONTRACTOR OF HIS RESPONSIBILITY FOR MEETING ALL REQUIREMENTS OF THE CONTRACT DOCUMENTS. THE CONTRACTOR IS RESPONSIBLE FOR DIMENSIONS TO BE CONFIRMED AND CORRELATED AT THE JOB SITE, FOR INFORMATION THAT PERTAINS SOLELY TO FABRICATION PROCESSED OR TO TECHNIQUES OF CONSTRUCTION AND INSTALLATION AND COORDINATION OF THE WORK OF ALL SUB-TRADES.

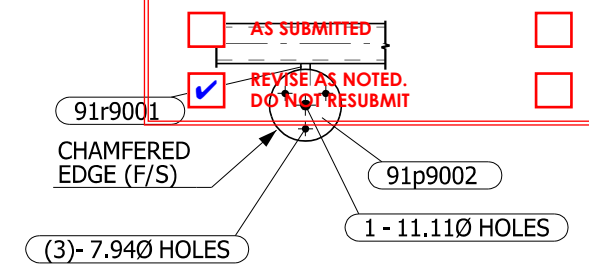
REVIEWED BY: **GH** DATE: **02/APR/2020**

AS SUBMITTED REVISE & RESUBMIT
 REVISE AS NOTED, DO NOT RESUBMIT NOT REVIEWED

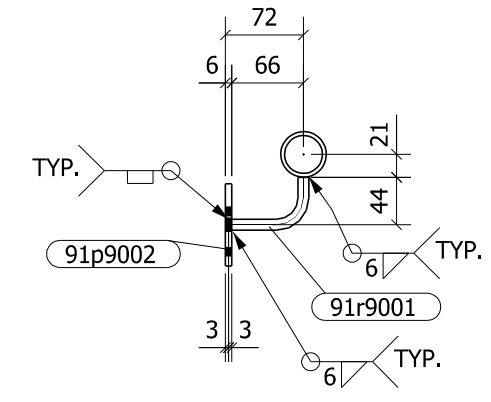


MINIMUM 300mm IN LENGTH

MIN 300mm IN LENGTH



DETAIL - A



A - A


ONE GUARDRAIL - Mkd - 91H-1

| | | |
|----------|---------------------|------------|
| A | ISSUED FOR APPROVAL | 03/20/2020 |
| Rev | Description | Date |

| Mark | Qty | Description | Grade | Length | Total Weight Lbs/Page | Remarks |
|---------|-----|-------------|-------|--------|-----------------------|---------|
| 91H-1 | ONE | GUARDRAIL | | | 32.72 | |
| 91H-1 | 1 | HSS42.2X3.6 | 350W | 4306 | 30.04 | |
| 91p9001 | 2 | PL6X42 | 300W | 42 | 0.37 | |
| 91p9002 | 4 | PL6X76 | 300W | 76 | 2.40 | |
| 91r9000 | 2 | ROD10 | 300W | 115 | 0.27 | |
| 91r9001 | 2 | ROD10 | 300W | 102 | 0.25 | |

| |
|-------------|
| Field Bolts |
| Fitter |
| Welder |

| |
|--------------------------------|
| Electrodes: E70XX |
| Welds: 6mm FILLET |
| Holes: 13/16" Ø |
| Bolts: A325N |
| Prep & Prime: SP3 & GREY 70327 |
| Paint: |

Rampart Steel Ltd.  Structural Steel
 6910 - 71 Street
 Edmonton, Alberta
 Miscellaneous Iron
 Erection

Customer: **CLARK BUILDERS**
 Contract: **SEVEN GENERATIONS ENERGY LTD.**

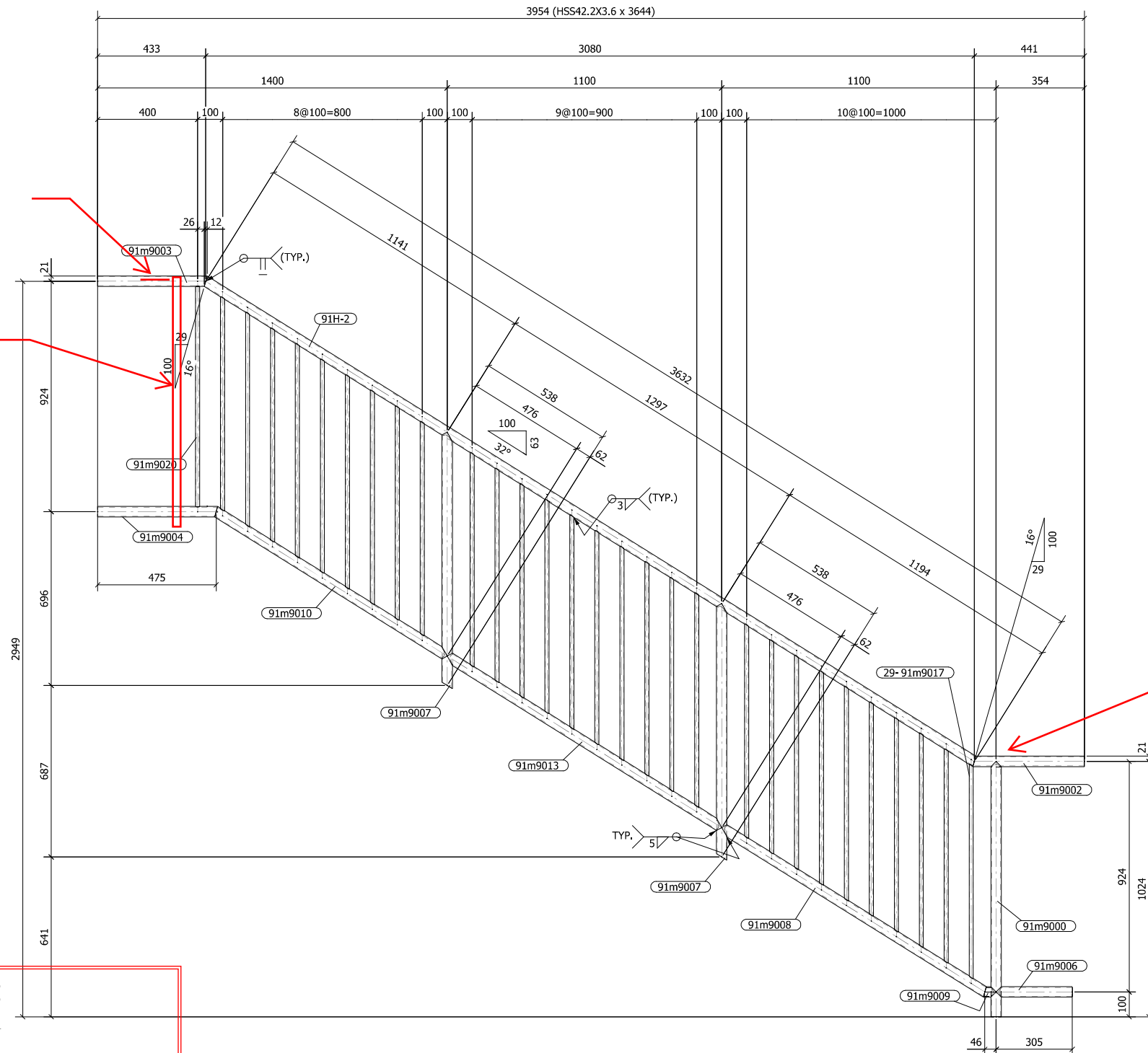
| | | | |
|----------------------|-------------------------|------------------------|-------------------------|
| Drn. By: MUZ | Date: 20.03.2020 | Job No.: 10572S | Drng. No.: 91H-1 |
| Chkd. By: HNK | Date Issued: 20.03.2020 | Ref.: E-115 & E-116 | Rev. No.: A |

| | |
|--------------|---------------|
| T.o.s. Elev. | Grid Location |
| +4.920 | 27-26/F1-G |

| Mark | Qty | Description | Length | Grade | Weight | Remarks |
|-------------|-----|-------------|--------|-------|--------|---------|
| 91H-2 | 1 | HSS42.2X3.6 | 3644 | 350W | 25 | |
| 91m9000 | 1 | HSS42.2X3.6 | 1024 | 350W | 7 | |
| 91m9002 | 1 | HSS42.2X3.6 | 447 | 350W | 3 | |
| 91m9003 | 1 | HSS42.2X3.6 | 439 | 350W | 3 | |
| 91m9004 | 1 | HSS42.2X3.6 | 481 | 350W | 3 | |
| 91m9006 | 1 | HSS42.2X3.6 | 305 | 350W | 2 | |
| 91m9007 | 2 | HSS42.2X3.6 | 1029 | 350W | 7 | |
| 91m9008 | 1 | HSS42.2X3.6 | 1249 | 350W | 9 | |
| 91m9009 | 1 | HSS42.2X3.6 | 52 | 350W | 0 | |
| 91m9010 | 1 | HSS42.2X3.6 | 1098 | 350W | 8 | |
| 91m9013 | 1 | HSS42.2X3.6 | 1297 | 350W | 9 | |
| 91m9017 | 29 | PIPE3/8STD | 860 | A53 | 2 | |
| 91m9020 | 1 | PIPE3/8STD | 886 | A53 | 2 | |
| Field Bolts | | | | | | |

RADIUS TOP RAIL TO ADJOINING RAILING

PROVIDE VERTICAL AND CONNECT TOP RAIL WITH RADIUS



SHOP NOTE:-
 1. REMOVE ALL ROUGH EDGES.
 2. ALL WELDS ARE TO BE GROUND SMOOTH.

RADIUS TOP RAIL TO ADJOINING RAILING

L7 ARCHITECTURE
 4212 - 98 St NW, Edmonton, AB T6E 6A1
 780 451 4376
 info@l7arch.ca

THIS REVIEW IS FOR THE SOLE PURPOSE OF ASCERTAINING CONFORMANCE WITH THE GENERAL DESIGN CONCEPT. THIS REVIEW SHALL NOT MEAN APPROVAL OF THE DETAIL DESIGN INHERENT IN THE SHOP DRAWINGS, RESPONSIBILITY FOR WHICH SHALL REMAIN WITH THE CONTRACTOR SUBMITTING SAME, AND SUCH REVIEW SHALL NOT RELIEVE THE CONTRACTOR OF HIS RESPONSIBILITY FOR MEETING ALL REQUIREMENTS OF THE CONTRACT DOCUMENTS. THE CONTRACTOR IS RESPONSIBLE FOR DIMENSIONS TO BE CONFIRMED AND CORRELATED AT THE JOB SITE, FOR INFORMATION THAT PERTAINS SOLELY TO FABRICATION PROCESSED OR TO TECHNIQUES OF CONSTRUCTION AND INSTALLATION AND COORDINATION OF THE WORK OF ALL SUB-TRADES.

REVIEWED BY: **GH** DATE: **02/APR/2020**

- AS SUBMITTED
- REVISE & RESUBMIT
- REVISE AS NOTED. DO NOT RESUBMIT
- NOT REVIEWED

ONE GUARDRAIL - Mkd - 91H-2

| | |
|---------------------|------------|
| ISSUED FOR APPROVAL | 03/20/2020 |
| Rev | Date |

Rampart Steel Ltd.
 6910 - 71 Street
 Edmonton, Alberta

Structural Steel
 Miscellaneous Iron
 Erection

Customer: **CLARK BUILDERS**

Contract: **SEVEN GENERATIONS ENERGY LTD.**

Detail: **GUARDRAIL**

Drn. By: **MUZ** Date: **20.03.2020** Job No.: **10572S** Sheet No.: **91H-2**

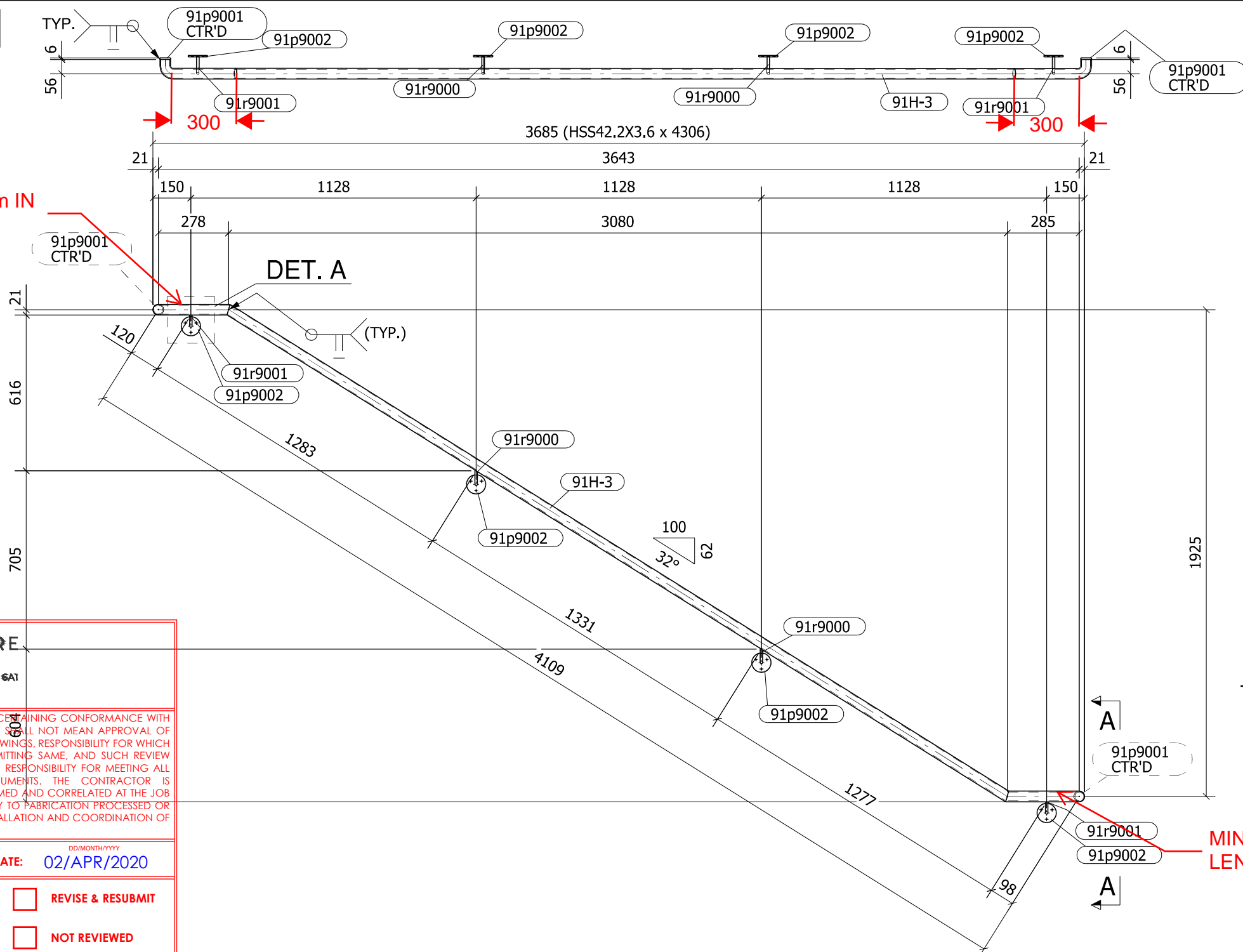
Prep & Prime: **SP3 & GREY 70327** Chkd. By: **HNK** Date Issued: **20.03.2020** Ref.: **E-115 & E-116** Rev. No.:

Electrodes: **E70XX**
 Welds: **6mm FILLET**
 Holes: **13/16" Ø**
 Bolts: **A325N**
 Prep & Prime: **SP3 & GREY 70327**
 Paint:

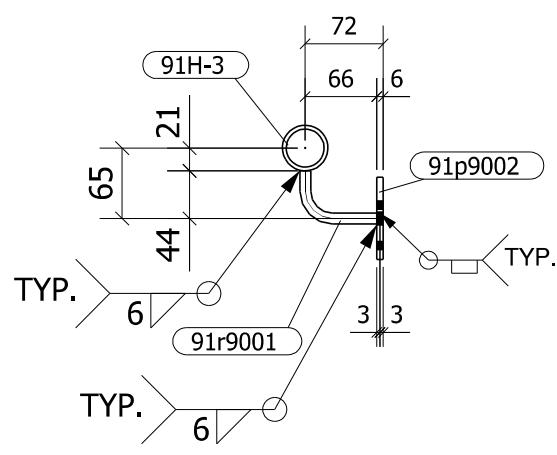
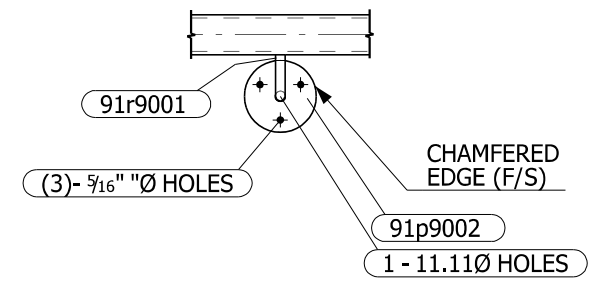
General Notes:



| | |
|--------------|---------------|
| T.o.s. Elev. | Grid Location |
| +4.920 | 27-26/G |



SHOP NOTE:-
1. REMOVE ALL ROUGH EDGES .
2. ALL WELDS ARE TO BE GROUND SMOOTH.



MIN 300mm IN LENGTH

L7 ARCHITECTURE
 4212 - 98 St NW, Edmonton, AB T6E 6A1
 780 451 4376
 info@l7arch.ca

THIS REVIEW IS FOR THE SOLE PURPOSE OF ASCERTAINING CONFORMANCE WITH THE GENERAL DESIGN CONCEPT. THIS REVIEW SHALL NOT MEAN APPROVAL OF THE DETAIL DESIGN INHERENT IN THE SHOP DRAWINGS, RESPONSIBILITY FOR WHICH SHALL REMAIN WITH THE CONTRACTOR SUBMITTING SAME, AND SUCH REVIEW SHALL NOT RELIEVE THE CONTRACTOR OF HIS RESPONSIBILITY FOR MEETING ALL REQUIREMENTS OF THE CONTRACT DOCUMENTS. THE CONTRACTOR IS RESPONSIBLE FOR DIMENSIONS TO BE CONFIRMED AND CORRELATED AT THE JOB SITE, FOR INFORMATION THAT PERTAINS SOLELY TO FABRICATION PROCESSED OR TO TECHNIQUES OF CONSTRUCTION AND INSTALLATION AND COORDINATION OF THE WORK OF ALL SUB-TRADES.

REVIEWED BY: **GH** DATE: **02/APR/2020**

AS SUBMITTED REVISE & RESUBMIT
 REVISE AS NOTED. DO NOT RESUBMIT NOT REVIEWED


ONE GUARDRAIL - Mkd - 91H-3

| | | |
|----------|---------------------|------------|
| A | ISSUED FOR APPROVAL | 03/20/2020 |
| Rev | Description | Date |

| Mark | Qty | Description | Grade | Length | Total Weight Lbs/Page | Remarks |
|---------|-----|-------------|-------|--------|-----------------------|---------|
| 91H-3 | ONE | GUARDRAIL | | | 32.71 | |
| 91H-3 | 1 | HSS42.2X3.6 | 350W | 4306 | 30.03 | |
| 91p9001 | 2 | PL6X42 | 300W | 42 | 0.37 | |
| 91p9002 | 4 | PL6X76 | 300W | 76 | 2.40 | |
| 91r9000 | 2 | ROD10 | 300W | 115 | 0.27 | |
| 91r9001 | 2 | ROD10 | 300W | 102 | 0.25 | |

| | |
|-------------|--|
| Field Bolts | |
| Fitter | |
| Welder | |

| |
|--------------------------------|
| Electrodes: E70XX |
| Welds: 6mm FILLET |
| Holes: 13/16" Ø |
| Bolts: A325N |
| Prep & Prime: SP3 & GREY 70327 |
| Paint: |

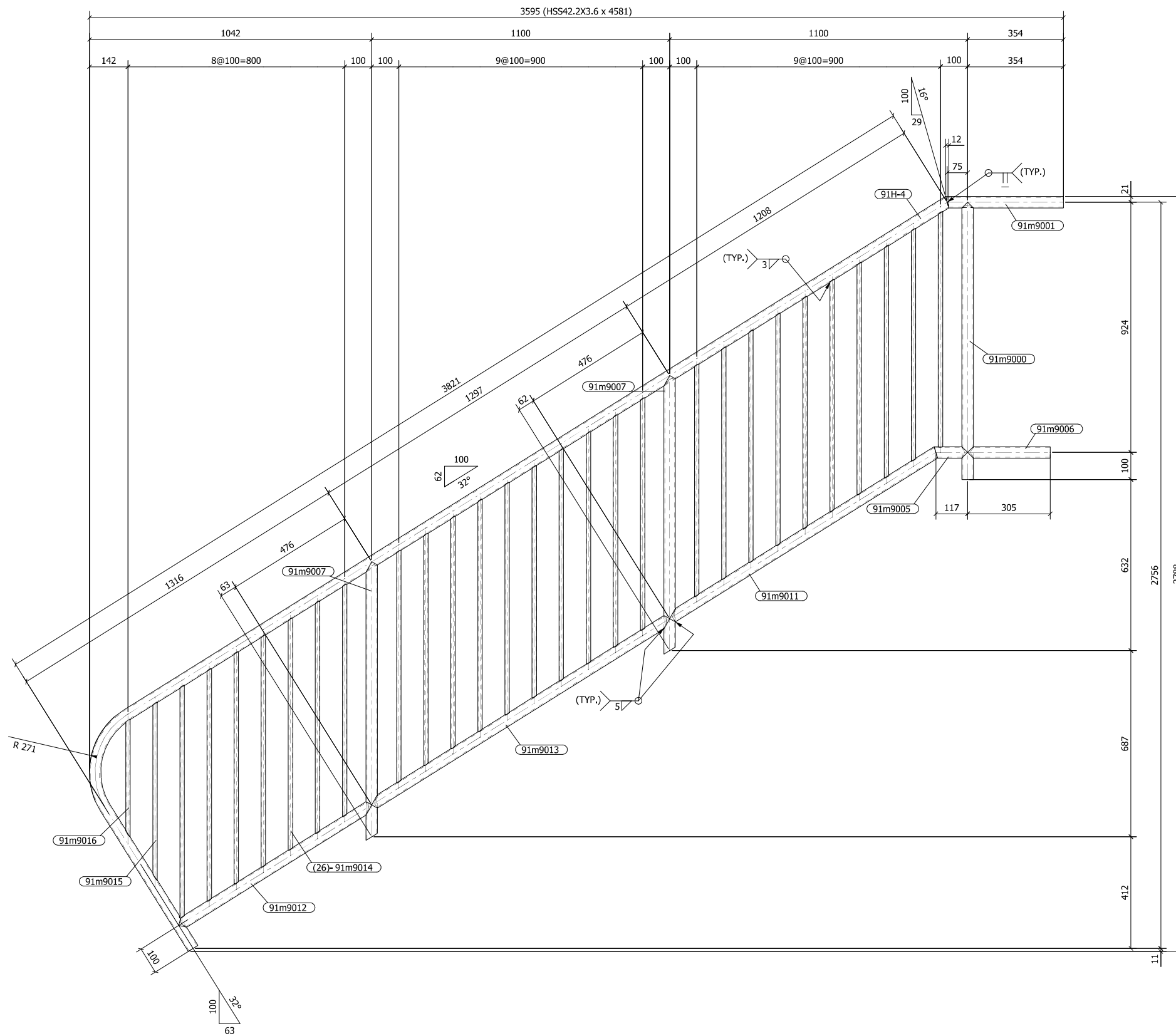
Rampart Steel Ltd.  Structural Steel
 6910 - 71 Street
 Edmonton, Alberta
 Miscellaneous Iron
 Erection

Customer: **CLARK BUILDERS**
 Contract: **SEVEN GENERATIONS ENERGY LTD.**

| | | | |
|----------------------|-------------------------|------------------------|-------------------------|
| Drn. By: MUZ | Date: 20.03.2020 | Job No.: 10572S | Drng. No.: 91H-3 |
| Chkd. By: HNK | Date Issued: 20.03.2020 | Ref.: E-115 & E-116 | Rev. No. A |

| | |
|--------------|---------------|
| T.o.s. Elev. | Grid Location |
| +2.995 | 27-26/F1-G |

| Mark | Qty | Description | Length | Grade | Weight | Remarks |
|-------------|-----|-------------|--------|-------|--------|---------|
| | ONE | GUARDRAIL | | | 146.06 | |
| 91H-4 | 1 | HSS42.2X3.6 | 4581 | 350W | 32 | |
| 91m9000 | 1 | HSS42.2X3.6 | 1024 | 350W | 7 | |
| 91m9001 | 1 | HSS42.2X3.6 | 435 | 350W | 3 | |
| 91m9005 | 1 | HSS42.2X3.6 | 123 | 350W | 1 | |
| 91m9006 | 1 | HSS42.2X3.6 | 305 | 350W | 2 | |
| 91m9007 | 2 | HSS42.2X3.6 | 1029 | 350W | 7 | |
| 91m9011 | 1 | HSS42.2X3.6 | 1165 | 350W | 8 | |
| 91m9012 | 1 | HSS42.2X3.6 | 840 | 350W | 6 | |
| 91m9013 | 1 | HSS42.2X3.6 | 1297 | 350W | 9 | |
| 91m9014 | 26 | PIPE3/8STD | 860 | A53 | 2 | |
| 91m9015 | 1 | PIPE3/8STD | 658 | A53 | 2 | |
| 91m9016 | 1 | PIPE3/8STD | 436 | A53 | 1 | |
| 91m9019 | 1 | PIPE3/8STD | 871 | A53 | 2 | |
| Field Bolts | | | | | | |



SHOP NOTE:-
1. REMOVE ALL ROUGH EDGES .
2. ALL WELDS ARE TO BE GROUND SMOOTH.

ONE GUARDRAIL - Mkd - 91H-4

| | |
|---------------------|------------|
| ISSUED FOR APPROVAL | 03/20/2020 |
| Rev | Date |

Rampart Steel Ltd.
 6910 - 71 Street
 Edmonton , Alberta

Structural Steel
 Miscellaneous Iron
 Erection

Customer **CLARK BUILDERS**

Contract **SEVEN GENERATIONS ENERGY LTD.**

Detail **GUARDRAIL**

Drn. By **MUZ** Date **20.03.2020** Job No. **10572S** Sheet No. **91H-4**

Chkd. By **HNK** Date Issued **20.03.2020** Ref. **E-115 & E-116** Rev. No.

General Notes:

Electrodes: E70XX

Welds: 6mm FILLET

Holes: 13/16" Ø

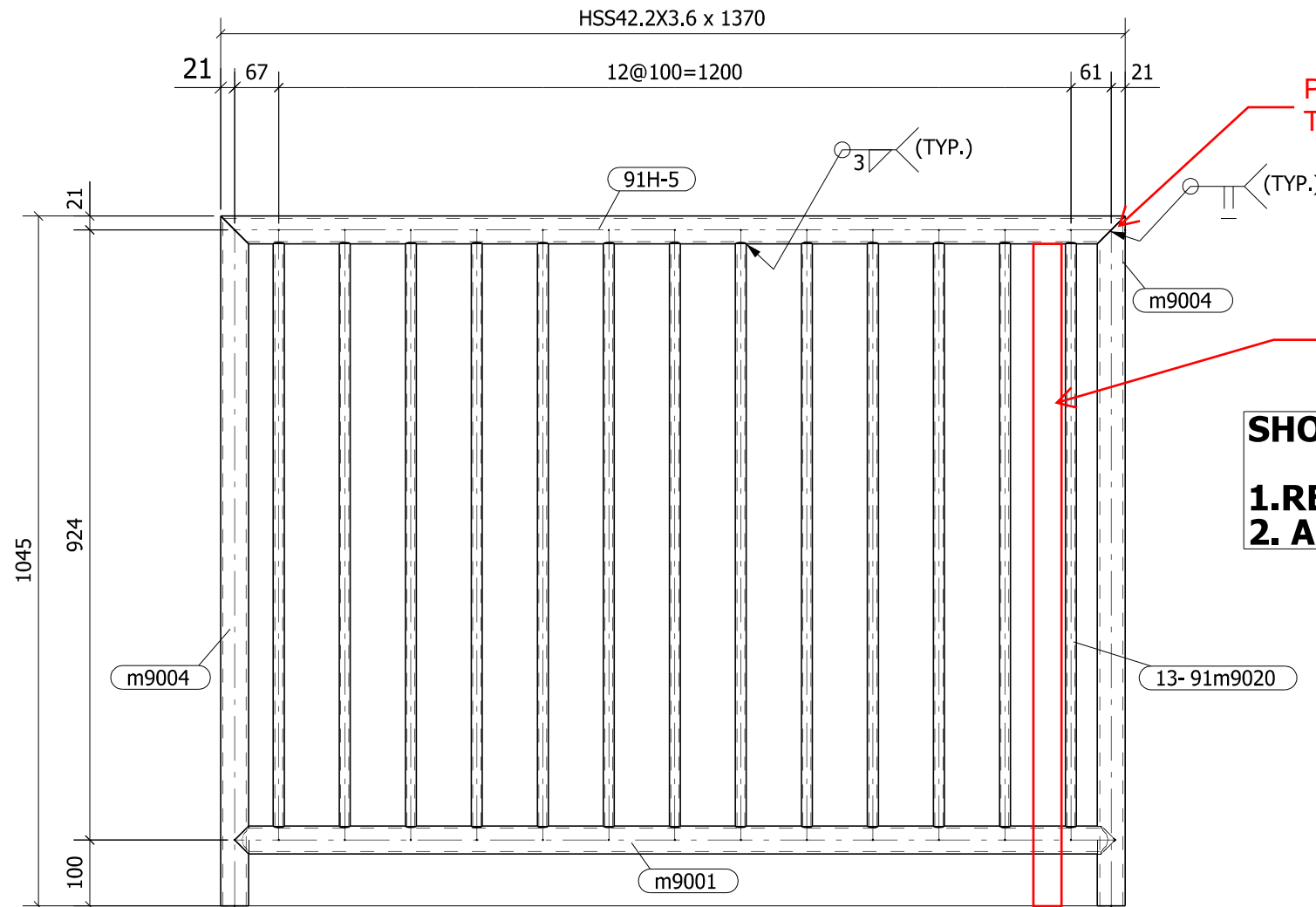
Bolts: A325N

Prep & Prime: SP3 & GREY 70327

Paint:



| | |
|--------------|---------------|
| T.o.s. Elev. | Grid Location |
| +4.920 | 27-26/F1-G |



PROVIDE RADIUS TO TOP

MOVE VERTICAL IN FURTHER TO ALLOW FOR RADIUS TO TO RAIL

SHOP NOTE:-

1. REMOVE ALL ROUGH EDGES .
2. ALL WELDS ARE TO BE GROUND SMOOTH.

L7 ARCHITECTURE
 4212 - 98 St NW, Edmonton, AB T6E 6A1
 780 451 4376
 info@l7arch.ca

THIS REVIEW IS FOR THE SOLE PURPOSE OF ASCERTAINING CONFORMANCE WITH THE GENERAL DESIGN CONCEPT. THIS REVIEW SHALL NOT MEAN APPROVAL OF THE DETAIL DESIGN INHERENT IN THE SHOP DRAWINGS. RESPONSIBILITY FOR WHICH SHALL REMAIN WITH THE CONTRACTOR SUBMITTING SAME, AND SUCH REVIEW SHALL NOT RELIEVE THE CONTRACTOR OF HIS RESPONSIBILITY FOR MEETING ALL REQUIREMENTS OF THE CONTRACT DOCUMENTS. THE CONTRACTOR IS RESPONSIBLE FOR DIMENSIONS TO BE CONFIRMED AND CORRELATED AT THE JOB SITE, FOR INFORMATION THAT PERTAINS SOLELY TO FABRICATION PROCESSED OR TO TECHNIQUES OF CONSTRUCTION AND INSTALLATION AND COORDINATION OF THE WORK OF ALL SUB-TRADES.

REVIEWED BY: **GH** DATE: **02/APR/2020**

AS SUBMITTED REVISE & RESUBMIT
 REVISE AS NOTED. DO NOT RESUBMIT NOT REVIEWED

ONE GUARDRAIL - Mkd - 91H-5

| | | |
|----------|---------------------|------------|
| A | ISSUED FOR APPROVAL | 03/20/2020 |
| Rev | Description | Date |

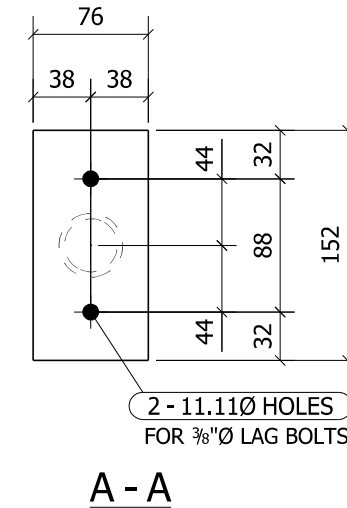
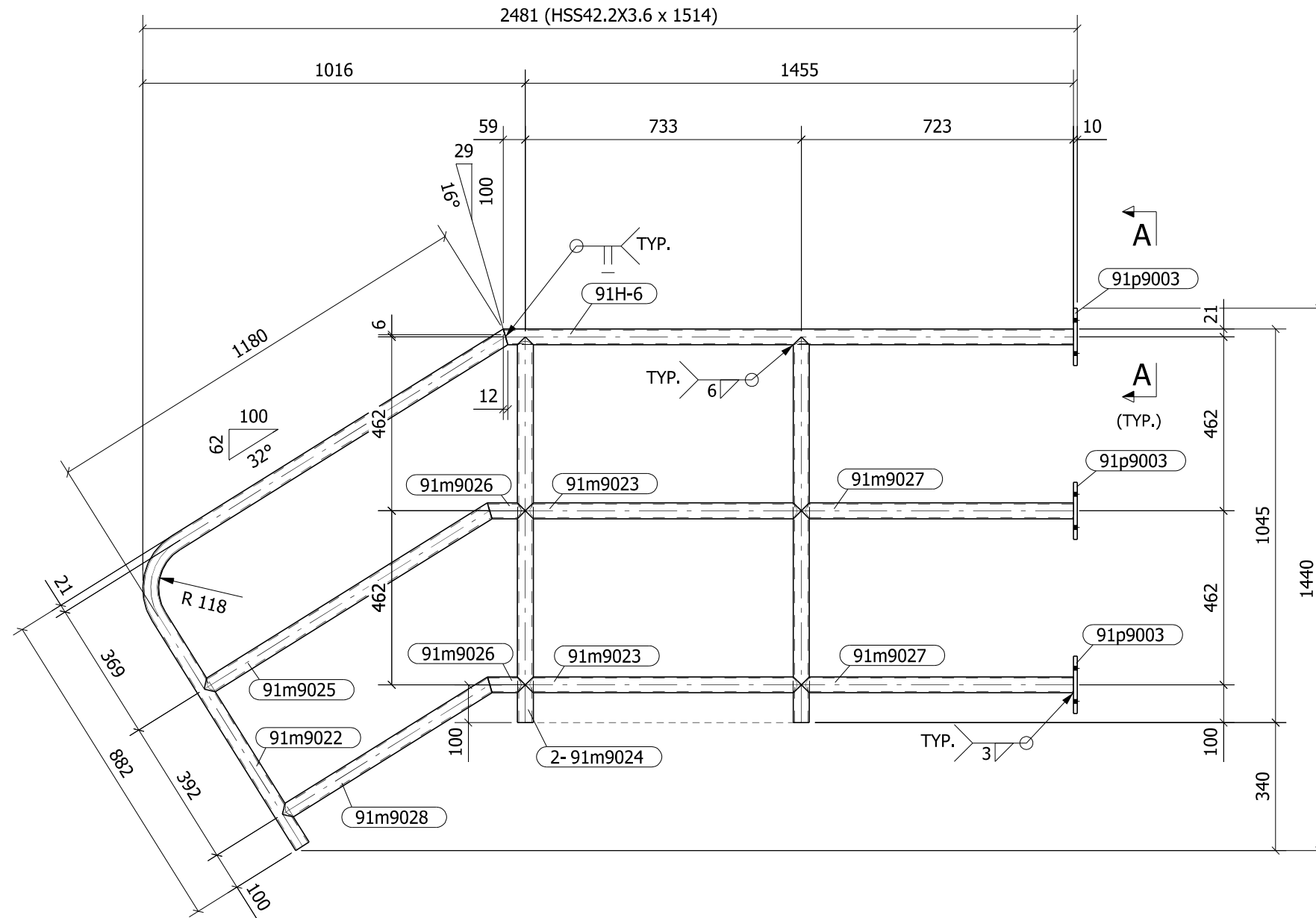
Rampart Steel Ltd.  Structural Steel
 6910 - 71 Street
 Edmonton , Alberta
 Miscellaneous Iron
 Erection

| | | | |
|---|---------------------------|--------------------------|--------------------------|
| Customer CLARK BUILDERS | | | |
| Contract SEVEN GENERATIONS ENERGY LTD. | | | |
| Drn. By MUZ | Date 20.03.2020 | Job No. 10572S | Drg. No. 91H-5 |
| Chkd. By HNK | Date Issued 20.03.2020 | Ref. E-115 & E-116 | Rev. No. A |

| Mark | Qty | Description | Grade | Length | Total Weight Lbs/Page | Remarks |
|---------|-----|-------------|-------|--------|--------------------------|---------|
| 91H-5 | ONE | GUARDRAIL | | | 63.54 | |
| 91H-5 | 1 | HSS42.2X3.6 | 350W | 1370 | 9.56 | |
| 91m9020 | 13 | PIPE3/8STD | A53 | 886 | 30.10 | |
| m9001 | 1 | HSS42.2X3.6 | 350W | 1334 | 9.30 | |
| m9004 | 2 | HSS42.2X3.6 | 350W | 1045 | 14.58 | |

| | |
|---------------|------------------|
| Field Bolts | |
| Fitter | |
| Welder | |
| Electrodes: | E70XX |
| Welds: | 6mm FILLET |
| Holes: | 13/16" Ø |
| Bolts: | A325N |
| Prep & Prime: | SP3 & GREY 70327 |
| Paint: | |

| | |
|--------------|---------------|
| T.o.s. Elev. | Grid Location |
| +1.125 | 30-29/H-J |



QUERY:

**PLEASE VERIFY AND CONFIRM PAINT
DETAIL FOLLOWED IS CORRECT**

SHOP NOTE:-

1. REMOVE ALL ROUGH EDGES .
2. ALL WELDS ARE TO BE GROUND SMOOTH.

| Mark | Qty | Description | Grade | Length | Total Weight Lbs/Page | Remarks |
|---------|-----|-------------|-------|--------|--------------------------|---------|
| 91H-6 | 2 | GUARDRAIL | | | 154.39 | |
| 91H-6 | 2 | HSS42.2X3.6 | 350W | 1514 | 21.12 | |
| 91m9022 | 2 | HSS42.2X3.6 | 350W | 1980 | 27.62 | |
| 91m9023 | 4 | HSS42.2X3.6 | 350W | 733 | 20.44 | |
| 91m9024 | 4 | HSS42.2X3.6 | 350W | 1024 | 28.56 | |
| 91m9025 | 2 | HSS42.2X3.6 | 350W | 900 | 12.55 | |
| 91m9026 | 4 | HSS42.2X3.6 | 350W | 101 | 2.81 | |
| 91m9027 | 4 | HSS42.2X3.6 | 350W | 723 | 20.16 | |
| 91m9028 | 2 | HSS42.2X3.6 | 350W | 655 | 9.13 | |
| 91p9003 | 6 | PL10X76 | 300W | 152 | 12.00 | |


2 GUARDRAIL - Mkd - 91H-6

| | |
|-------------|--|
| Field Bolts | |
| Fitter | |
| Welder | |

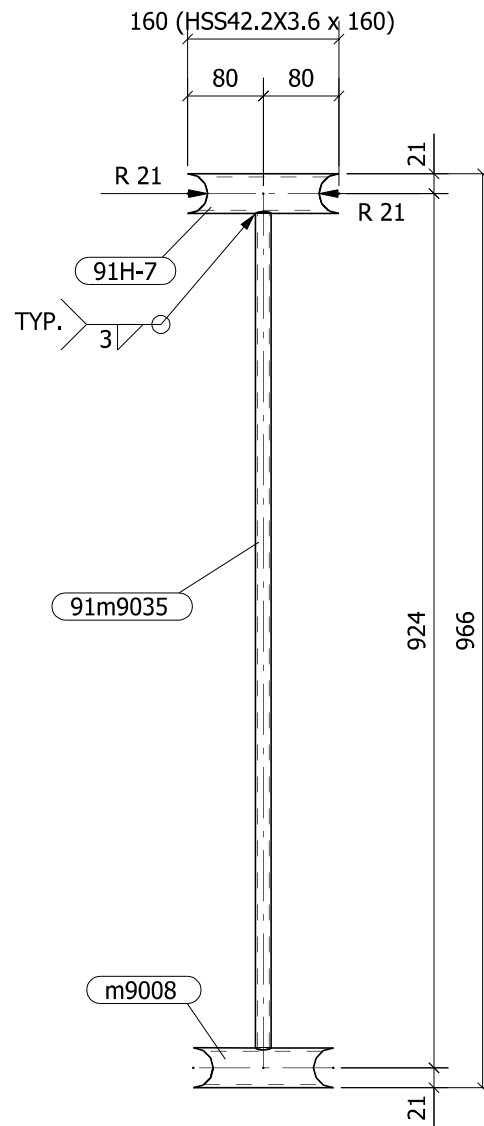
| |
|--------------------------------|
| Electrodes: E70XX |
| Welds: 6mm FILLET |
| Holes: 13/16" Ø |
| Bolts: A325N |
| Prep & Prime: SP3 & GREY 70327 |
| Paint: |

| | | |
|-----|---------------------|------------|
| Rev | ISSUED FOR APPROVAL | 03/20/2020 |
| | Description | Date |

Rampart Steel Ltd.  Structural Steel
6910 - 71 Street
Edmonton , Alberta
Miscellaneous Iron
Erection

| | | | |
|-----------------|---------------------------|-------------------------------|--|
| Customer | | CLARK BUILDERS | |
| Contract | | SEVEN GENERATIONS ENERGY LTD. | |
| Drn. By GIR | Date 20.03.2020 | Job No. 10572S | Drng. No. 91H-6 |
| Chkd. By ARJ | Date Issued 20.03.2020 | Ref. E-115 & E-116 | Rev. No.  |

| | |
|--------------|---------------|
| T.o.s. Elev. | Grid Location |
| +2.995 | 27-26/F1-G |



ONE GUARDRAIL - Mkd - 91H-7

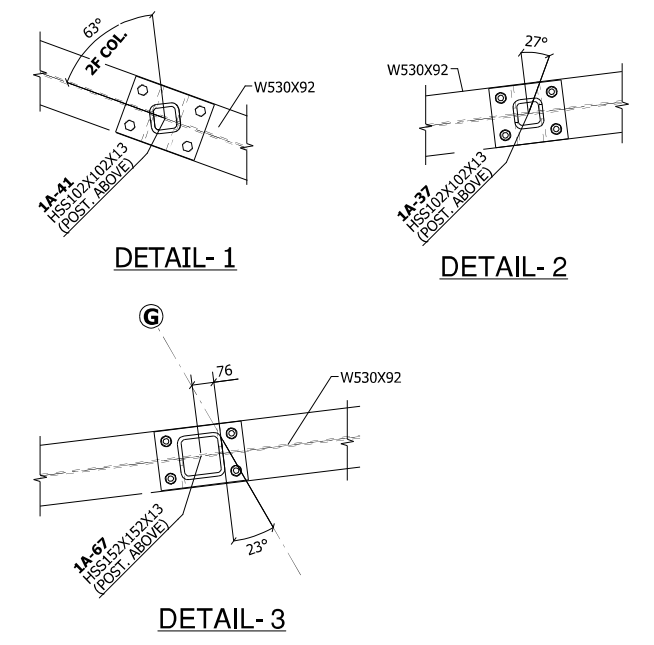
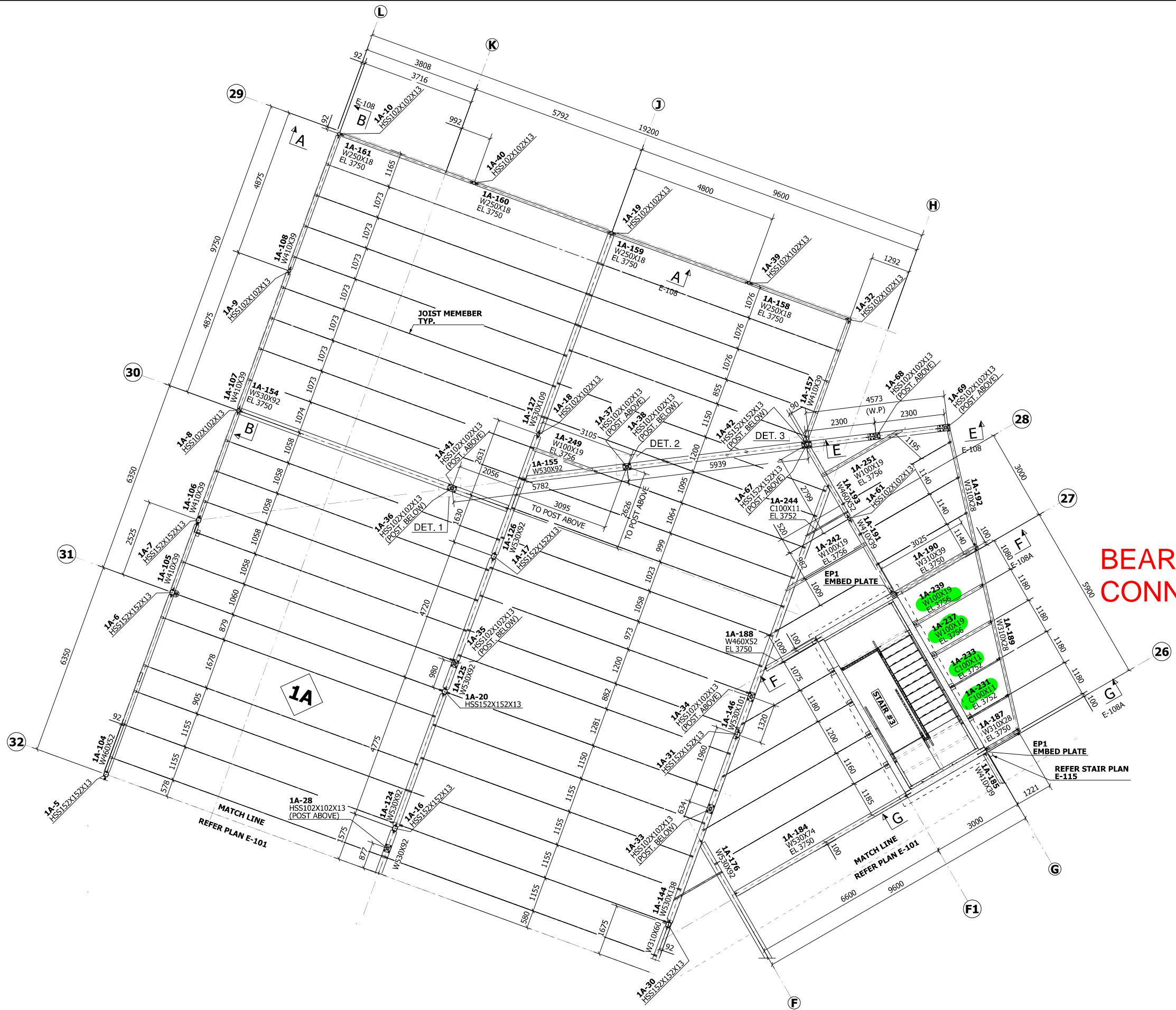
| | | |
|----------|---------------------|------------|
| A | ISSUED FOR APPROVAL | 03/20/2020 |
| Rev | Description | Date |

| | | | |
|---|--|--|--|
| Rampart Steel Ltd. 6910 - 71 Street Edmonton , Alberta | | | Structural Steel Miscellaneous Iron Erection |
|---|--|--|--|

| | | | |
|---|---------------------------|--------------------------|--------------------------|
| Customer CLARK BUILDERS | | | |
| Contract SEVEN GENERATIONS ENERGY LTD. | | | |
| Drn. By MUZ | Date 20.03.2020 | Job No. 10572S | Drg. No. 91H-7 |
| Chkd. By HNK | Date Issued 20.03.2020 | Ref. E-115 & E-116 | Rev. No. A |

| Mark | Qty | Description | Grade | Length | Total Weight Lbs/Page | Remarks |
|---------|-----|-------------|-------|--------|--------------------------|---------|
| 91H-7 | ONE | GUARDRAIL | | | 4.46 | |
| 91H-7 | 1 | HSS42.2X3.6 | 350W | 160 | 1.12 | |
| 91m9035 | 1 | PIPE3/8STD | 350W | 886 | 2.32 | |
| m9008 | 1 | HSS42.2X3.6 | 350W | 148 | 1.03 | |

| | |
|---------------|------------------|
| Field Bolts | |
| Fitter | |
| Welder | |
| Electrodes: | E70XX |
| Welds: | 6mm FILLET |
| Holes: | 13/16" Ø |
| Bolts: | A325N |
| Prep & Prime: | SP3 & GREY 70327 |
| Paint: | |



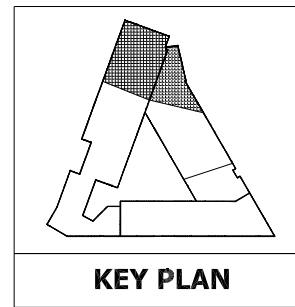
BEARING CONNECTION

LEGEND

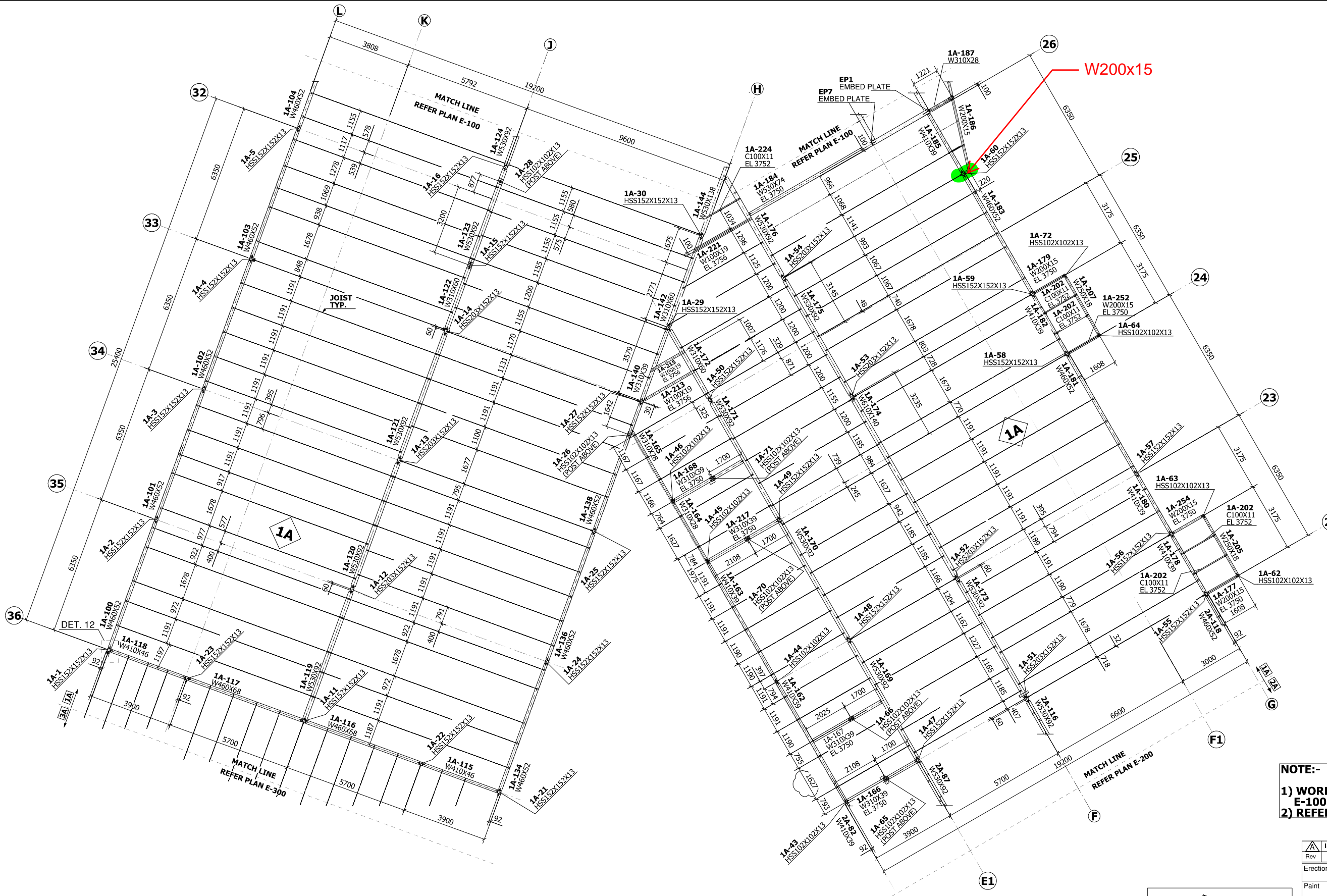
COL. = COLUMN
 EL. = ELEVATION
 T.O.S = TOP OF STEEL
 DIV = DIVISION
 2F = SECOND FLOOR
 WP = WORK POINT
 TJ= TIE JOIST

- NOTE:-**
- 1) WORK THIS DRAWING ALONG WITH E-101 FOR DIV-1
 - 2) REFER E-102 FOR MISC PLANS
 - 3) REFER E-108 & E-108A FOR SECTIONS AND DETAILS

PARTIAL SECOND FLOOR FRAMING PLAN
 REF.DWG.S2.2 (T.O.S EL.3650 U.N.O)

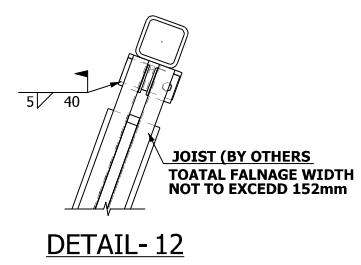


| | | |
|--|---------------------------------|---|
| ISSUED FOR APPROVAL | | 03.20.2020 |
| Rev | Description | Date |
| Erection By | | |
| Paint | | |
| Rampart Steel Ltd. 6910 - 71 Street Edmonton, Alberta | | Structural Steel Miscellaneous Iron Erection |
| Customer | CLARK BUILDERS | |
| Contract | SEVEN GENERATIONS ENERGY LTD. | |
| Detail | PARTIAL SECOND FLOOR FRAMING PL | Sheet No. |
| Drn. By | SNU | Date |
| Chkd. By | HRR | Date Issued |
| Job No. | | 10572S |
| Date | | 29.02.2020 |
| Date Issued | | 20.03.2020 |
| Rev. No. | | A |

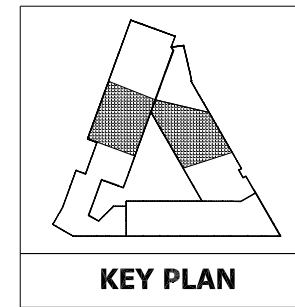


LEGEND
 COL. = COLUMN
 EL. = ELEVATION
 T.O.S = TOP OF STEEL
 DIV = DIVISION

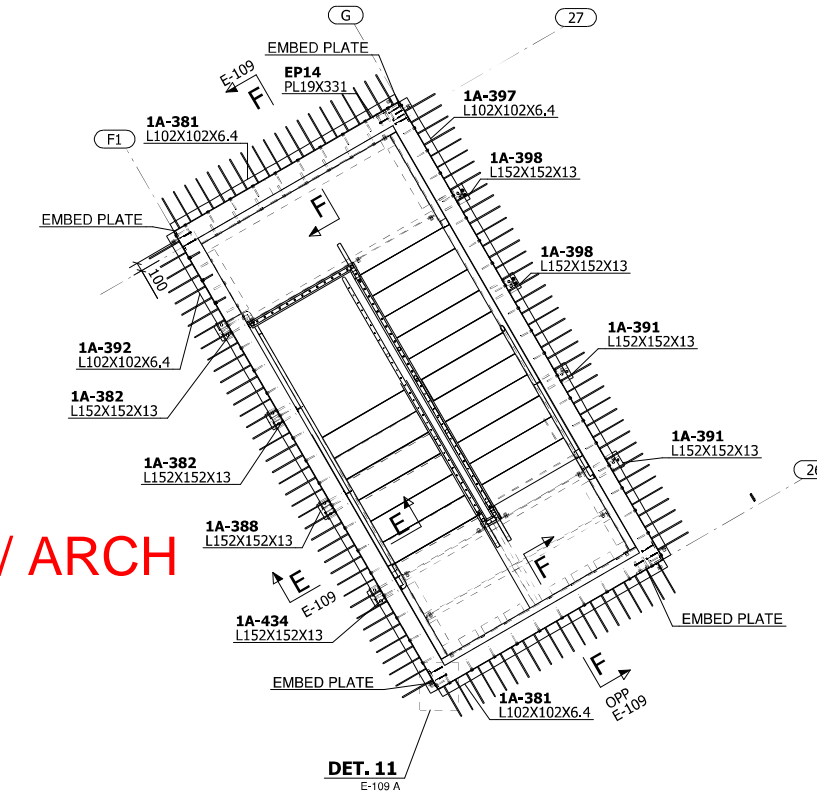
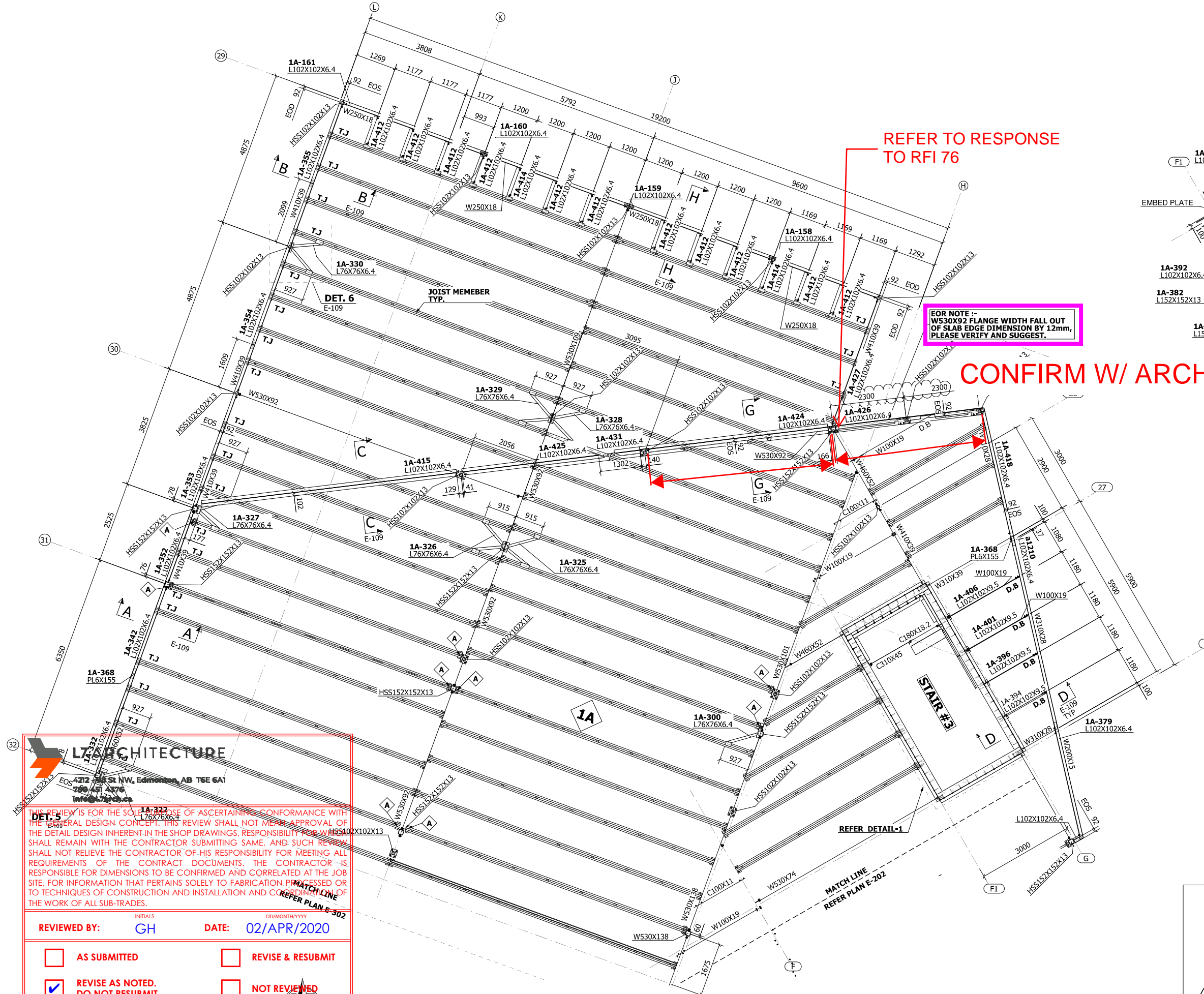
NOTE:-
 1) WORK THIS DRAWING ALONG WITH E-100 FOR DIV-1
 2) REFER E-103 FOR MISC PLAN



PARTIAL SECOND FLOOR FRAMING PLAN
 REF.DWG.S2.2 (T.O.S EL.3650 U.N.O)



| | | |
|---|---------------------------------|--|
| ISSUED FOR APPROVAL | | 03.20.2020 |
| Rev | Description | Date |
| Erection By | | |
| Paint | | |
| Rampart Steel Ltd. 6910 - 71 Street Edmonton, Alberta | | Structural Steel Miscellaneous Iron Erection |
| Customer | CLARK BUILDERS | |
| Contract | SEVEN GENERATIONS ENERGY LTD. | |
| Detail | PARTIAL SECOND FLOOR FRAMING PL | Sheet No. |
| Drn. By | Date | Job No. |
| SNU | 10.03.2020 | 10572S |
| Chkd. By | Date Issued | Rev. No. |
| HKN | 20.03.2020 | A |



LEGEND

- COL. = COLUMN
- EL. = ELEVATION
- T.O.S = TOP OF STEEL
- DIV = DIVISION
- T.J = TIE JOIST
- EOD = EDGE OF DECK
- EOS = EDGE OF SLB
- D.B = DIAG. BRACE

- NOTE:-**
- 1) WORK THIS DRAWING ALONG WITH E-103 FOR DIV-1
 - 2) REFER E-106 FOR MISC PLAN
 - 3) REFER E-109 FOR SECTION
 - 4) JOISTS BEARING ON SKEWED BEAM TO BE WELDED

A = INDICATES THE JOIST SEAT OFF

L7 ARCHITECTURE
4212 St NW, Edmonton, AB T6E 6A1
780-41-1170
info@l7arch.com

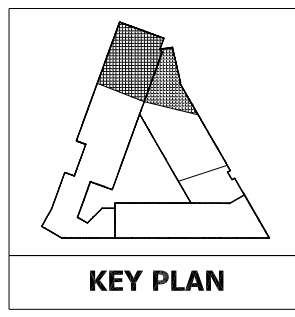
THIS REVIEW IS FOR THE SOLE PURPOSE OF ASCERTAINING CONFORMANCE WITH THE GENERAL DESIGN CONCEPT. THIS REVIEW SHALL NOT MEAN APPROVAL OF THE DETAIL DESIGN INHERENT IN THE SHOP DRAWINGS. RESPONSIBILITY FOR THE DESIGN SHALL REMAIN WITH THE CONTRACTOR SUBMITTING SAME, AND SUCH REVIEW SHALL NOT RELIEVE THE CONTRACTOR OF HIS RESPONSIBILITY FOR MEETING ALL REQUIREMENTS OF THE CONTRACT DOCUMENTS. THE CONTRACTOR IS RESPONSIBLE FOR DIMENSIONS TO BE CONFIRMED AND CORRELATED AT THE JOB SITE, FOR INFORMATION THAT PERTAINS SOLELY TO FABRICATION PROCESSED OR TO TECHNIQUES OF CONSTRUCTION AND INSTALLATION AND COORDINATION OF THE WORK OF ALL SUB-TRADES.

REVIEWED BY: GH **DATE:** 02/APR/2020

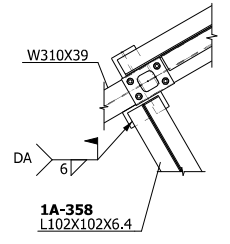
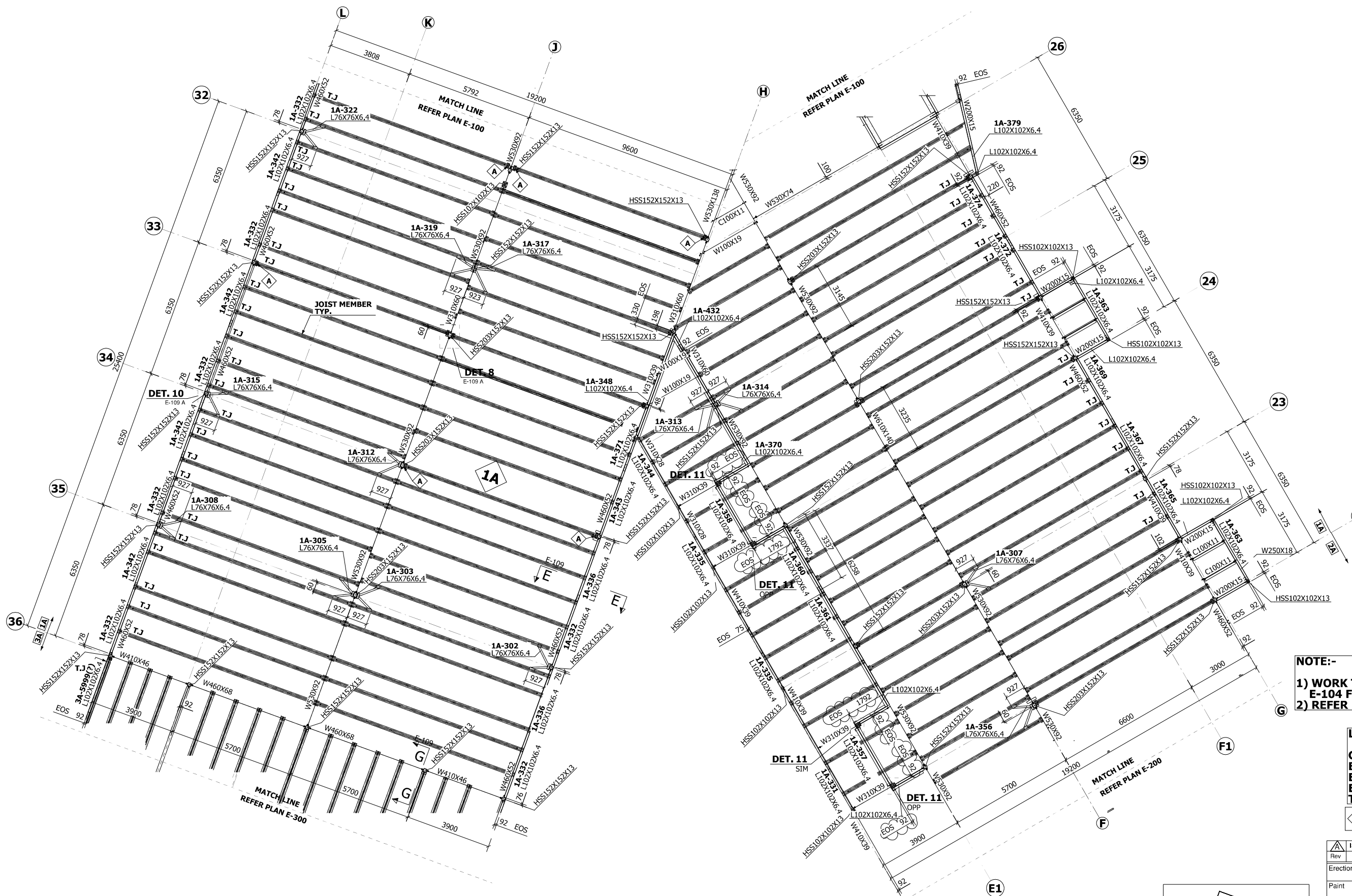
AS SUBMITTED REVISE & RESUBMIT

REVISE AS NOTED, DO NOT RESUBMIT NOT REVIEWED

PARTIAL SECOND FLOOR MISC PLAN
REF.DWG.S2.0,S2.2



| | | |
|--|--|---------|
| ISSUED FOR APPROVAL | 03.20.2020 | |
| Rev Description | Date | |
| Erection By | | |
| Paint | | |
| Rampart Steel Ltd. 6910 - 71 Street Edmonton, Alberta | Structural Steel Miscellaneous Iron Erection | |
| Customer | CLARK BUILDERS | |
| Contract | SEVEN GENERATIONS ENERGY LTD. | |
| Detail | SECOND FLOOR MISCELLANEOUS PLAN | |
| Sheet No. | E-102 | |
| Drn. By | Date | Job No. |
| SNU | 16.03.2020 | 10572S |
| Chkd. By | Date Issued | |
| HRR | 20.03.2020 | |
| Rev. No. | A | |



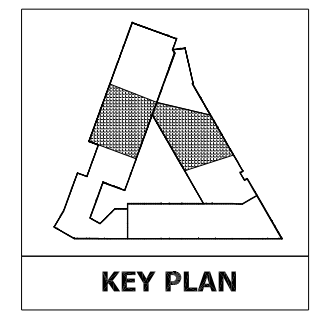
DETAIL-11

NOTE:-
 1) WORK THIS DRAWING ALONG WITH E-104 FOR DIV-1
 2) REFER E-109 FOR MISC PLANS & SECTIONS

LEGEND
 COL. = COLUMN
 EL. = ELEVATION
 E.O.D = EDGE OF DECK
 E.O.S = EDGE OF SLAB
 T.J = TIE JOIST
 A = INDICATE THE JOIST SEAT OFF



PARTIAL SECOND FLOOR MISC. FRAMING PLAN
 (REF: S2.0/S2.2)



| | | |
|---------------------|-------------|---|
| ISSUED FOR APPROVAL | | 03.20.2020 |
| Rev | Description | Date |
| Erection By | | |
| Paint | | |
| Customer | | CLARK BUILDERS |
| Contract | | SEVEN GENERATIONS ENERGY LTD. |
| Detail | | SECOND FLOOR MISCELLANEOUS PLAN Sheet No. |
| Drn. By | Date | Job No. |
| SLM | 17.03.2020 | E-103 |
| Chkd. By | Date Issued | 10572S |
| HRR | 20.03.2020 | Rev. No. A |



BEARING CONNECTION

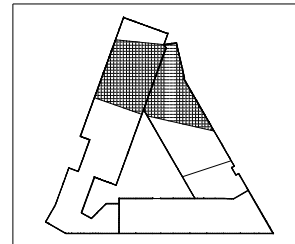
LEGEND

COL. = COLUMN
 EL. = ELEVATION
 T.O.S = TOP OF STEEL
 DIV = DIVISION
 WP = WORK POINT

- NOTE:-**
- 1) WORK THIS DRAWING ALONG WITH E-105 FOR DIV-1
 - 2) REFER E-106 FOR MISC PLANS
 - 3) REFER E-108 & E-108A FOR SECTIONS AND DETAILS
 - 3) JOISTS BEARING ON SKEWED BEAM TO BE WELDED

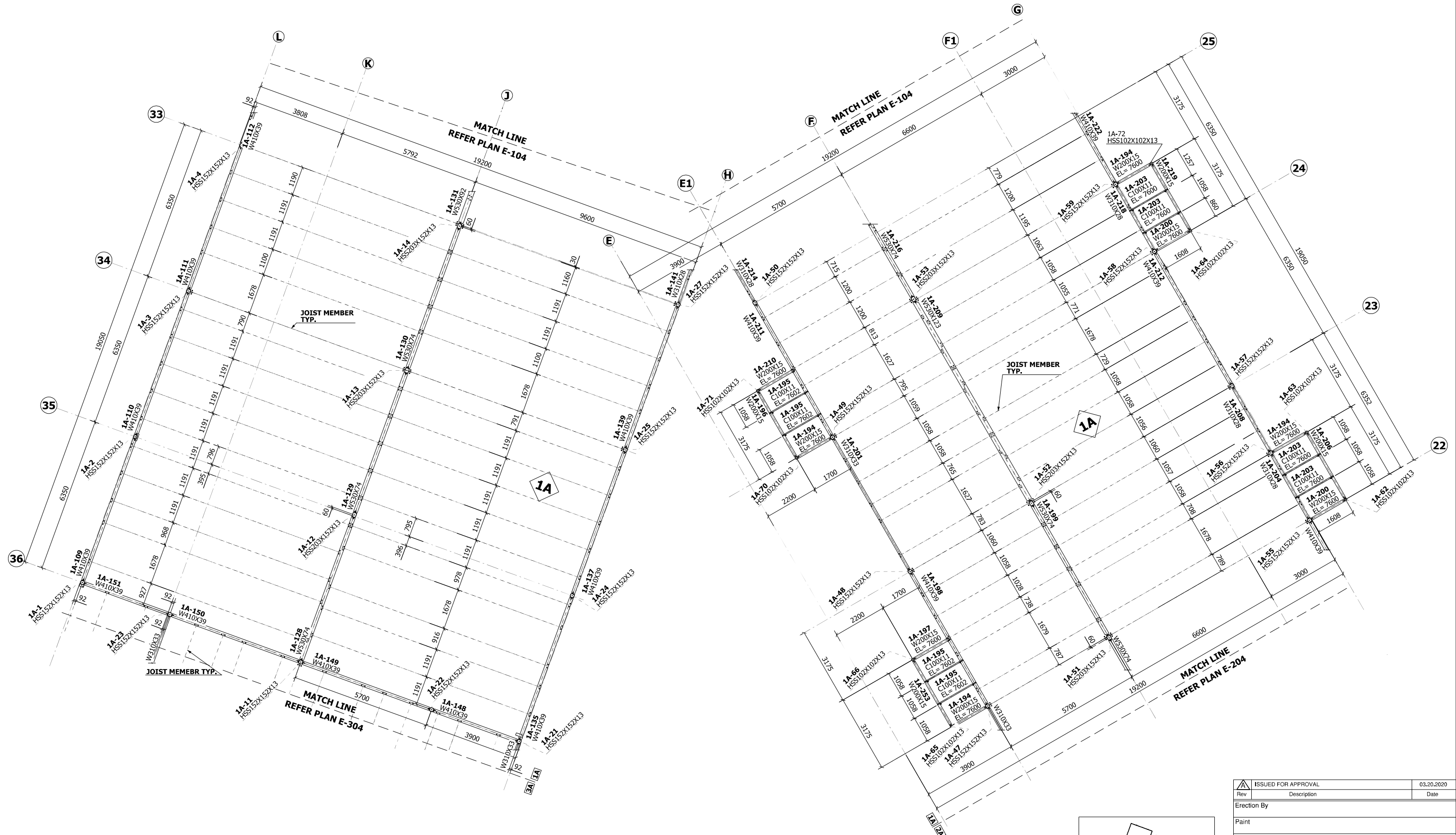


PARTIAL ROOF FRAMING PLAN
 REF.DWG.NO S2.5(T.O.S EL.=7500 U.N.O)



KEY PLAN

| | | |
|---|------------------------|--|
| ISSUED FOR APPROVAL | | 03.20.2020 |
| Rev | Description | Date |
| Erection By | | |
| Paint | | |
| Rampart Steel Ltd. 6910 - 71 Street Edmonton, Alberta | | Structural Steel Miscellaneous Iron Erection |
| Customer CLARK BUILDERS | | |
| Contract SEVEN GENERATIONS ENERGY LTD. | | |
| Detail PARTIAL ROOF FRAMING PLAN | | Sheet No. |
| Drn. By SLM | Date 11.03.2020 | Job No. E-104 |
| Chkd. By HKN | Date Issued 20.03.2020 | 10572S |
| | | Rev. No. A |

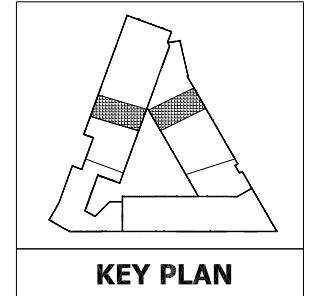


LEGEND
 COL. = COLUMN
 EL. = ELEVATION
 T.O.S = TOP OF STEEL
 DIV = DIVISION

NOTE:-
 1) WORK THIS DRAWING ALONG WITH E-104 FOR DIV-1
 2) REFER E-107 FOR MISC PLANS
 3) JOISTS BEARING ON SKEWED BEAM TO BE WELDED



PARTIAL ROOF FRAMING PLAN
 REF.DWG.S2.5(T.O.STEEL EL.7500 U.N.O)

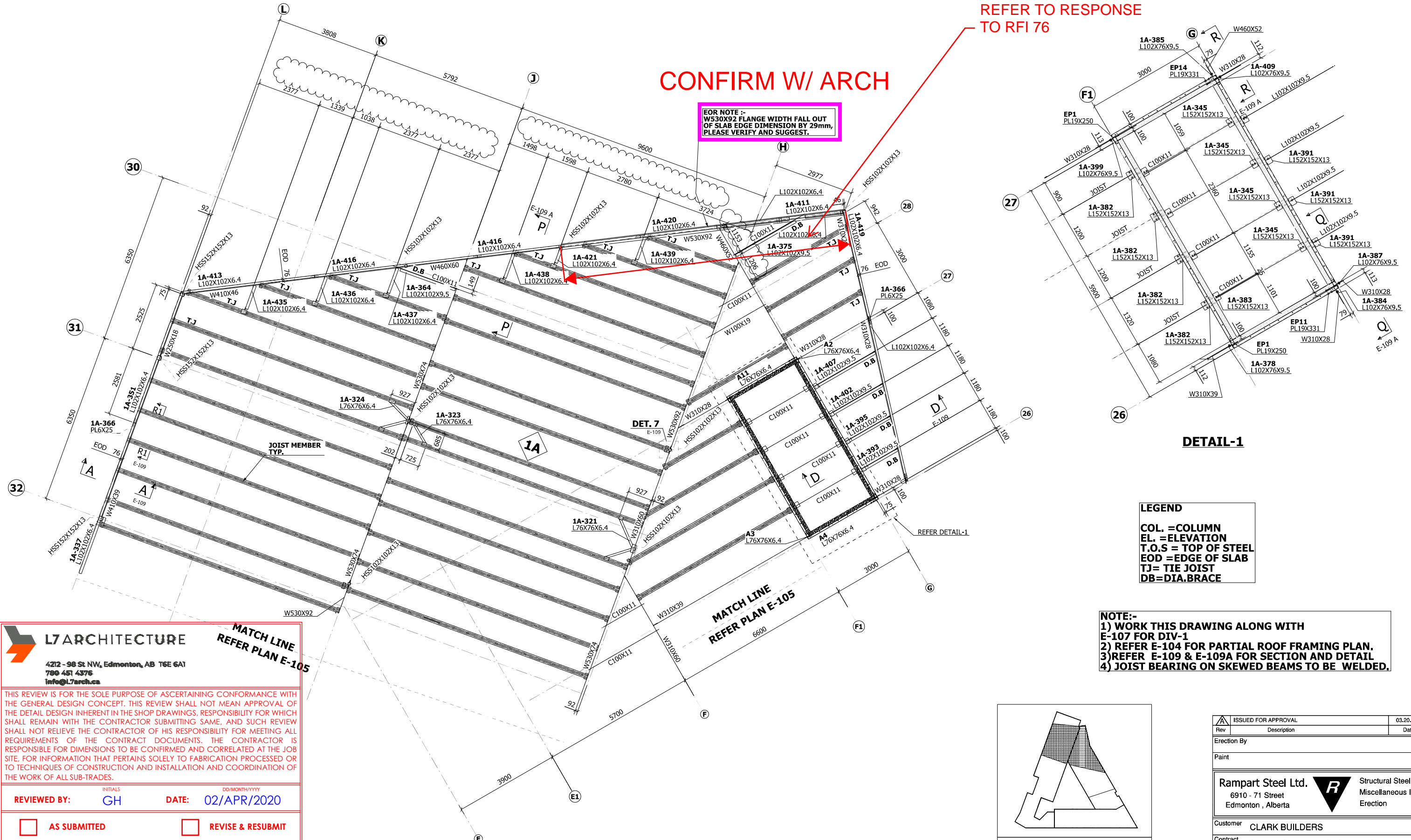


| | | |
|---------------------|-------------|-------------------------------|
| ISSUED FOR APPROVAL | | 03.20.2020 |
| Rev | Description | Date |
| Erection By | | |
| Paint | | |
| Customer | | CLARK BUILDERS |
| Contract | | SEVEN GENERATIONS ENERGY LTD. |
| Detail | | PARTIAL ROOF FRAMING PLAN |
| Drn. By | Date | Job No. |
| SCH | 11.03.2020 | 10572S |
| Chkd. By | Date Issued | Rev. No. |
| HRR | 20.03.2020 | A |
| Rampart Steel Ltd. | | Structural Steel |
| 6910 - 71 Street | | Miscellaneous Iron |
| Edmonton, Alberta | | Erection |
| Sheet No. | | E-105 |

CONFIRM W/ ARCH

EOR NOTE :-
W530X92 FLANGE WIDTH FALL OUT
OF SLAB EDGE DIMENSION BY 29mm,
PLEASE VERIFY AND SUGGEST.

REFER TO RESPONSE TO RFI 76



DETAIL-1

LEGEND
COL. = COLUMN
EL. = ELEVATION
T.O.S = TOP OF STEEL
EOD = EDGE OF SLAB
TJ= TIE JOIST
DB=DIA.BRACE

NOTE:-
1) WORK THIS DRAWING ALONG WITH E-107 FOR DIV-1
2) REFER E-104 FOR PARTIAL ROOF FRAMING PLAN.
3)REFER E-109 & E-109A FOR SECTION AND DETAIL
4) JOIST BEARING ON SKEWED BEAMS TO BE WELDED.

L7ARCHITECTURE
 4212 - 98 St NW, Edmonton, AB T6E 6A1
 780 451 4376
 info@l7arch.ca

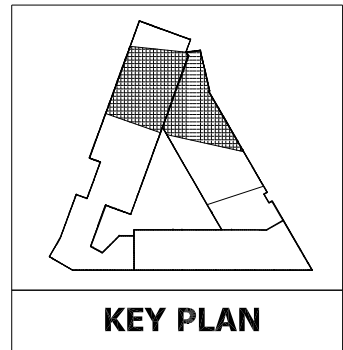
THIS REVIEW IS FOR THE SOLE PURPOSE OF ASCERTAINING CONFORMANCE WITH THE GENERAL DESIGN CONCEPT. THIS REVIEW SHALL NOT MEAN APPROVAL OF THE DETAIL DESIGN INHERENT IN THE SHOP DRAWINGS, RESPONSIBILITY FOR WHICH SHALL REMAIN WITH THE CONTRACTOR SUBMITTING SAME, AND SUCH REVIEW SHALL NOT RELIEVE THE CONTRACTOR OF HIS RESPONSIBILITY FOR MEETING ALL REQUIREMENTS OF THE CONTRACT DOCUMENTS. THE CONTRACTOR IS RESPONSIBLE FOR DIMENSIONS TO BE CONFIRMED AND CORRELATED AT THE JOB SITE, FOR INFORMATION THAT PERTAINS SOLELY TO FABRICATION PROCESSED OR TO TECHNIQUES OF CONSTRUCTION AND INSTALLATION AND COORDINATION OF THE WORK OF ALL SUB-TRADES.

REVIEWED BY: **GH** DATE: **02/APR/2020**

AS SUBMITTED REVISE & RESUBMIT
 REVISE AS NOTED, DO NOT RESUBMIT NOT REVIEWED



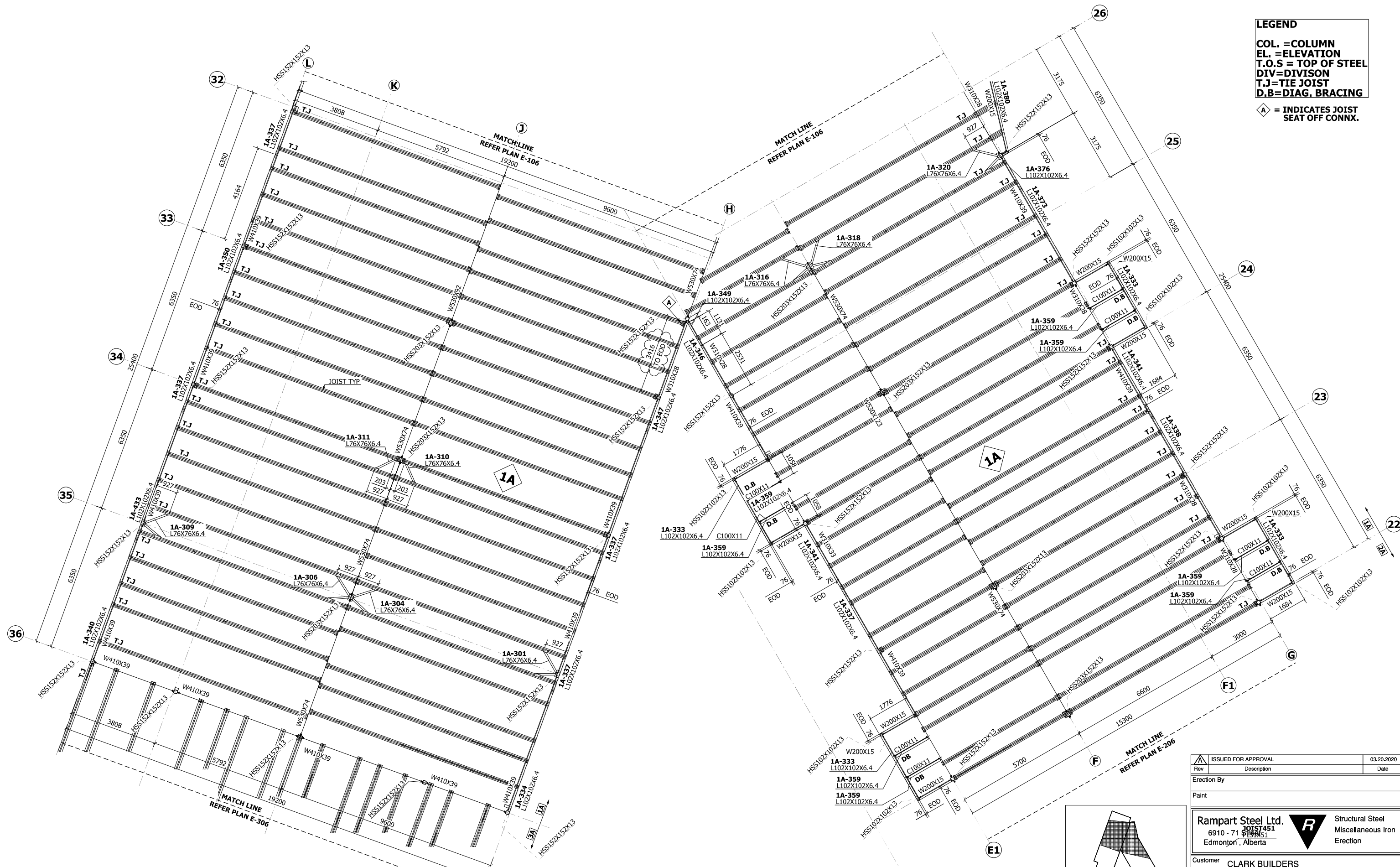
PARTIAL ROOF MISC PLAN
 REF.DWG.S2.1/S2.5



KEY PLAN

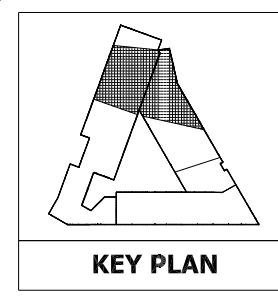
| | | |
|--|-------------|--|
| ISSUED FOR APPROVAL | | 03.20.2020 |
| Rev | Description | Date |
| Erection By | | |
| Paint | | |
| Rampart Steel Ltd. 6910 - 71 Street Edmonton, Alberta | | Structural Steel Miscellaneous Iron Erection |
| Customer | | CLARK BUILDERS |
| Contract | | SEVEN GENERATIONS ENERGY LTD. |
| Detail | | ROOF MISCELLANEOUS PLAN |
| Drn. By | Date | Job No. |
| JAR | 17.03.2020 | 10572S |
| Chkd. By | Date Issued | Sheet No. |
| HRR | 20.03.2020 | E-106 |
| Rev. No. | | A |

LEGEND
 COL. = COLUMN
 EL. = ELEVATION
 T.O.S = TOP OF STEEL
 DIV = DIVISION
 T.J = TIE JOIST
 D.B = DIAG. BRACING
 ◊ = INDICATES JOIST SEAT OFF CONNX.



NOTE:-
 1) WORK THIS DRAWING ALONG WITH E-106 FOR DIV-1
 2) REFER E-105 FOR PARTIAL ROOF FRAMING PLAN.
 3) JOIST BEARING ON SKEWED BEAMS TO BE WELDED.

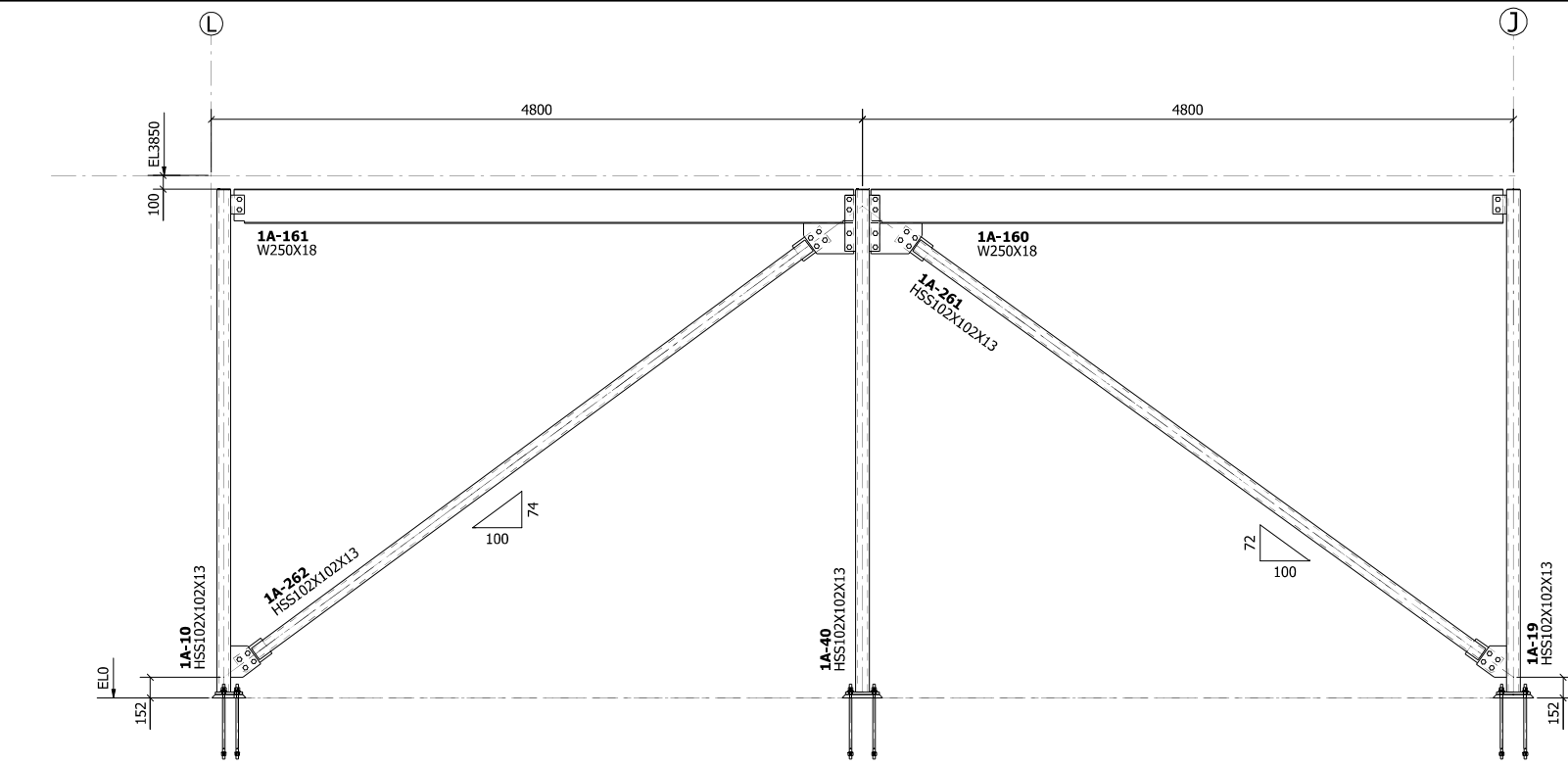
PARTIAL ROOF MISC PLAN
 REF. DWG. S2.5/S2.1



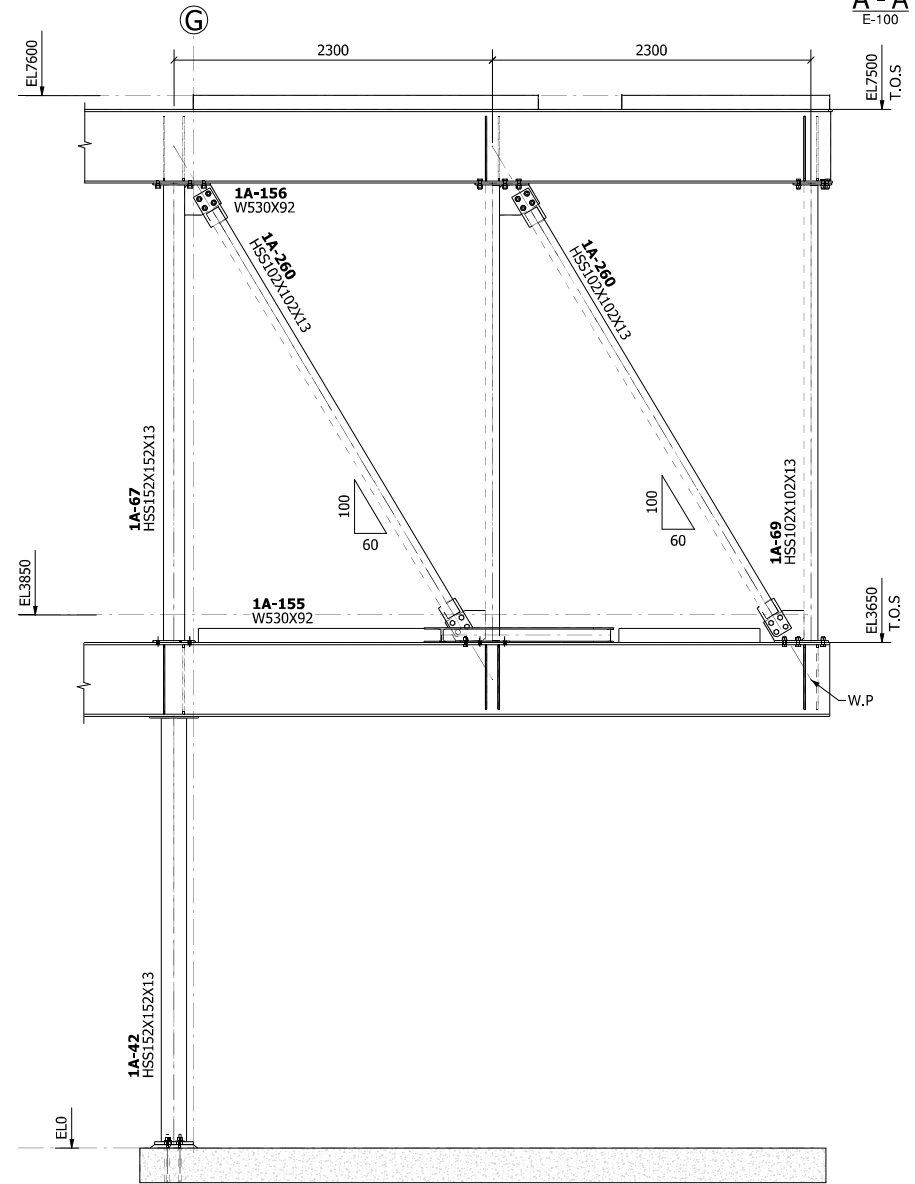
| | | |
|--|------------------------|---------------|
| ISSUED FOR APPROVAL | | 03.20.2020 |
| Rev | Description | Date |
| Erection By | | |
| Paint | | |
| Customer CLARK BUILDERS | | |
| Contract SEVEN GENERATIONS ENERGY LTD. | | |
| Detail ROOF MISCELLANEOUS PLAN | | Sheet No. |
| Drn. By SCH | Date 17.03.2020 | Job No. E-107 |
| Chkd. By ARJ | Date Issued 20.03.2020 | 10572S |
| | | Rev. No. A |

Rampart Steel Ltd.
 6910 - 71 101ST AVE SE
 EDMONTON, ALBERTA T5C 1S5

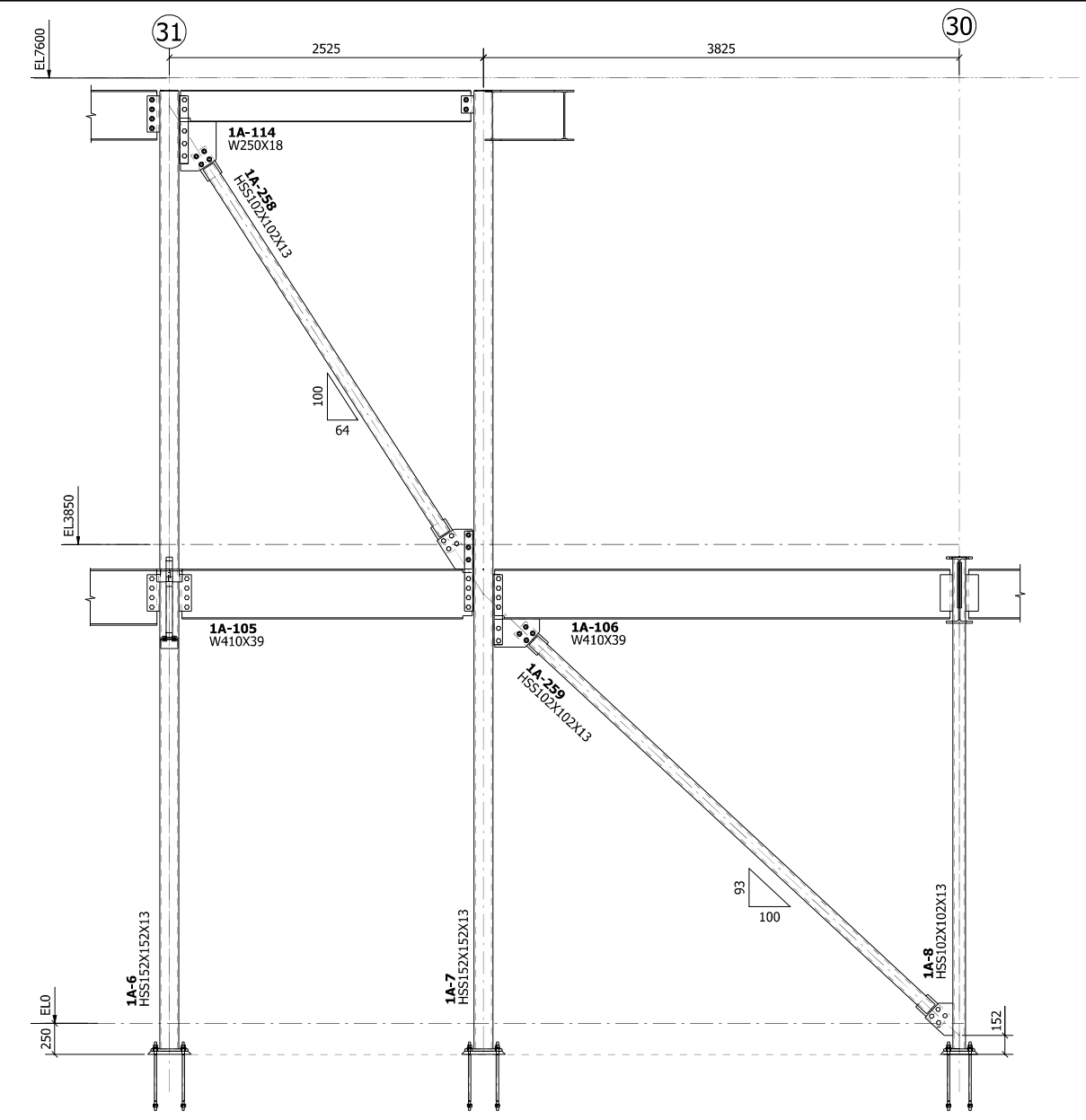
Structural Steel
Miscellaneous Iron
Erection



A - A
E-100

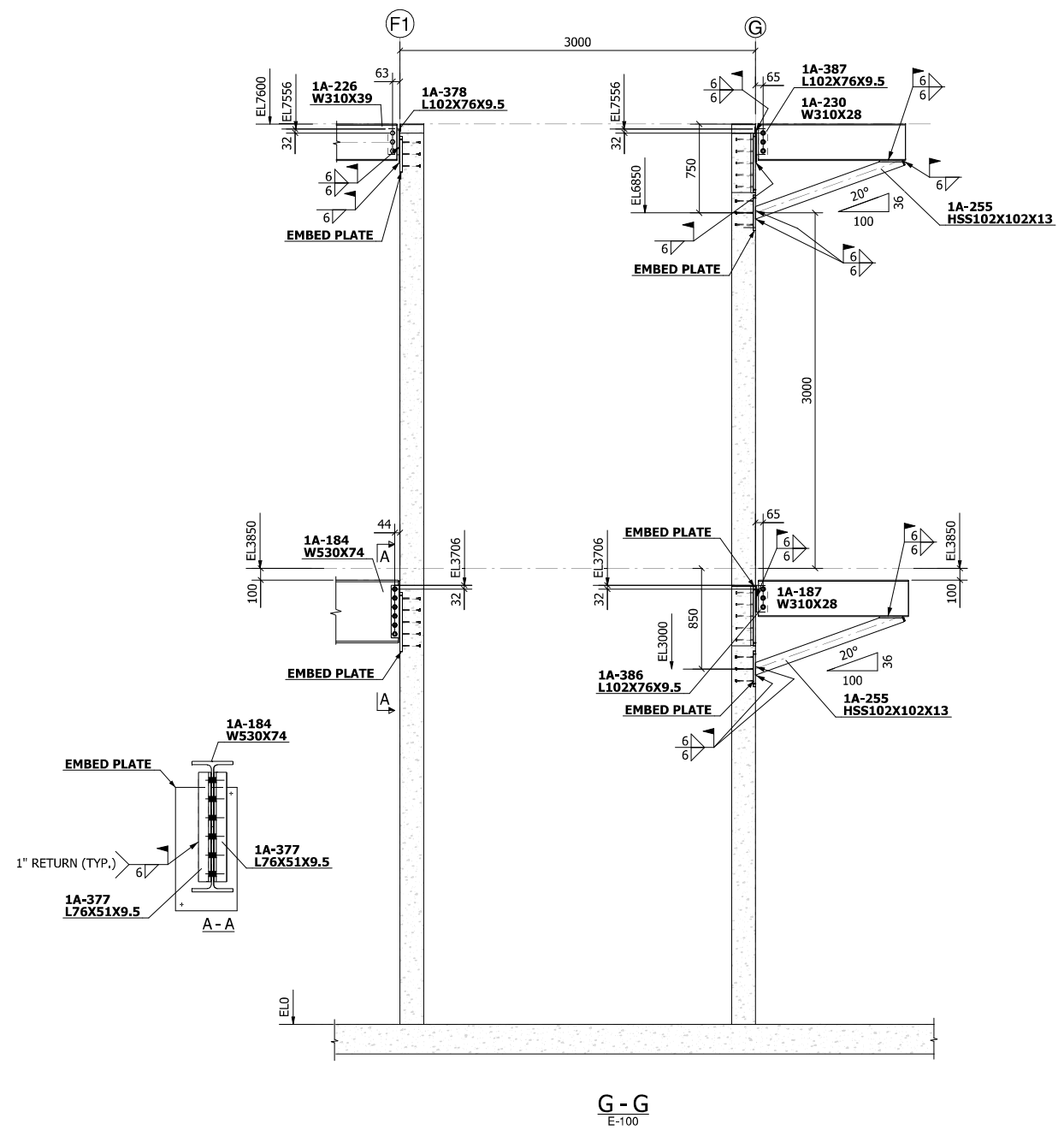
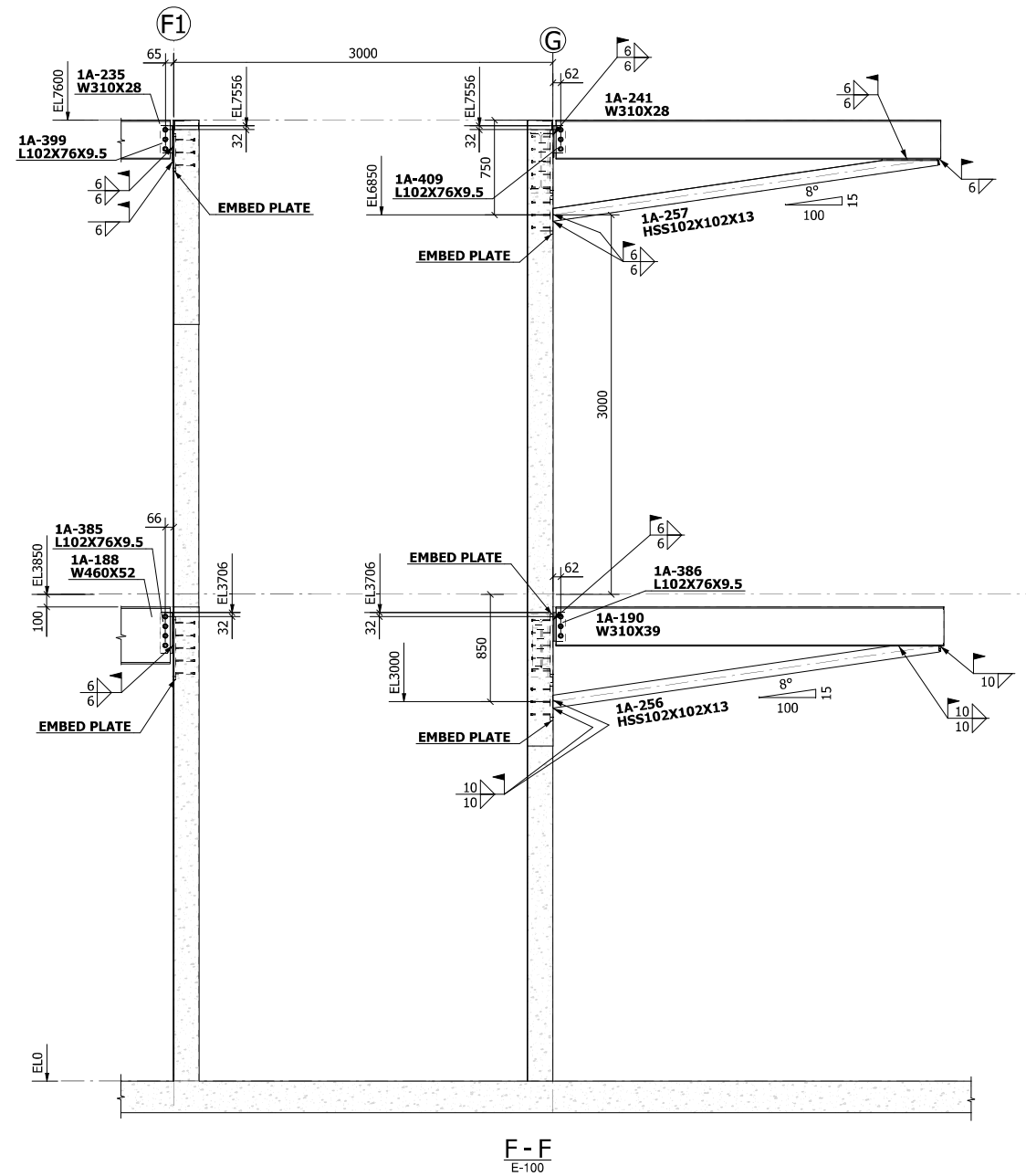


E - E
E-100

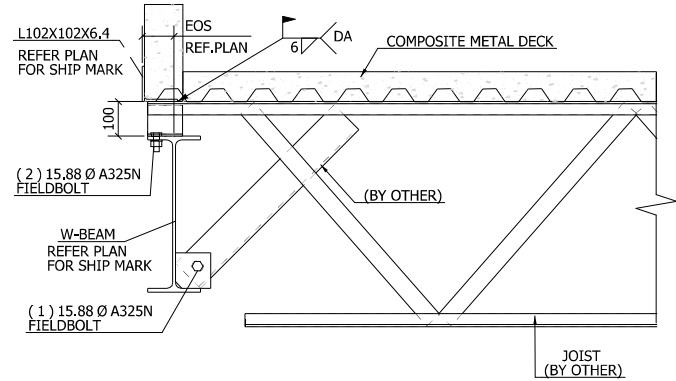


B - B
E-100

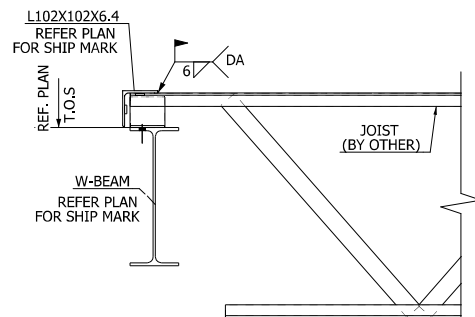
| | | |
|--|-------------|--|
| ISSUED FOR APPROVAL | | 03.20.2020 |
| Rev | Description | Date |
| Erection By | | |
| Paint | | |
| Rampart Steel Ltd. 6910 - 71 Street Edmonton, Alberta | | R Structural Steel Miscellaneous Iron Erection |
| Customer | | CLARK BUILDERS |
| Contract | | SEVEN GENERATIONS ENERGY LTD. |
| Detail | | SECTIONS AND DETAILS |
| Drn. By | Date | Job No. |
| BAK | 17.03.2020 | 10572S |
| Chkd. By | Date Issued | Rev. No. |
| HKH | 20.03.2020 | A |
| Sheet No. | | E-108 |



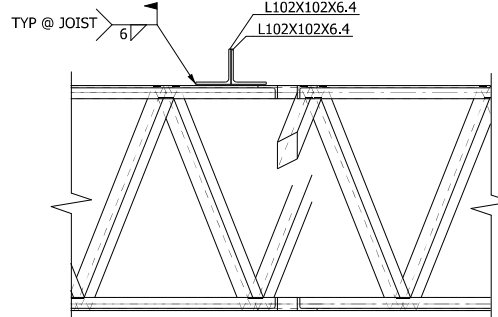
| | | |
|--|-------------|--|
| ISSUED FOR APPROVAL | | 03.20.2020 |
| Rev | Description | Date |
| Erection By | | |
| Paint | | |
| Rampart Steel Ltd. 6910 - 71 Street Edmonton, Alberta | | R Structural Steel Miscellaneous Iron Erection |
| Customer | | CLARK BUILDERS |
| Contract | | SEVEN GENERATIONS ENERGY LTD. |
| Detail | | SECTIONS AND DETAILS |
| Drn. By | Date | Job No. |
| BAK | 18.03.2020 | 10572S |
| Chkd. By | Date Issued | Sheet No. |
| HKH | 20.03.2020 | E-108A |
| Rev. No. | | A |



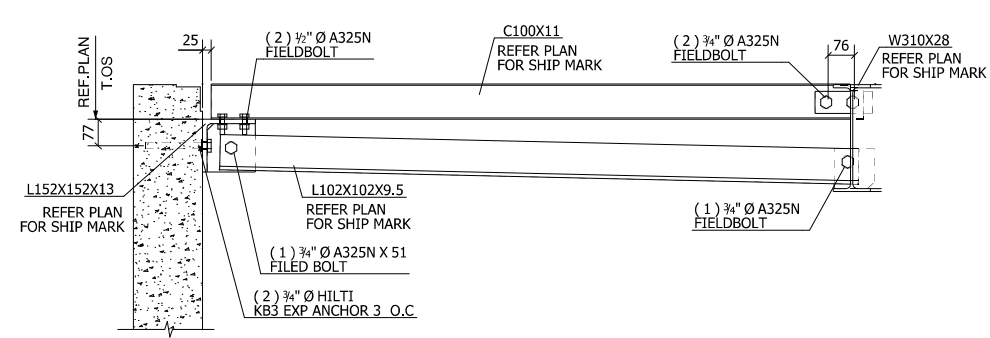
A - A
E-102
TYPICAL DECK ANGLE
WELD DETAIL AT FLOOR
(REF:5/S5.0)



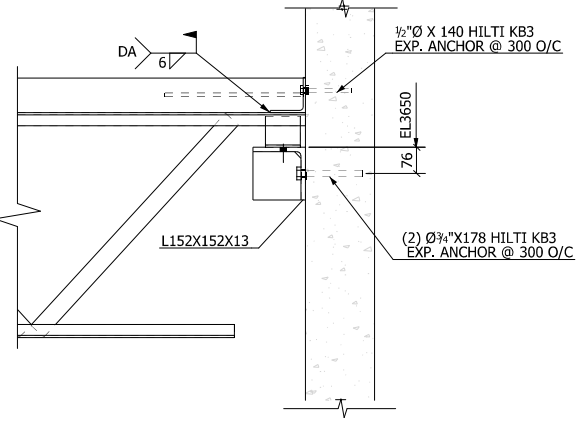
B - B
E-102
TYPICAL DECK ANGLE
WELD DETAIL AT ROOF
(REF:1/S5.1)



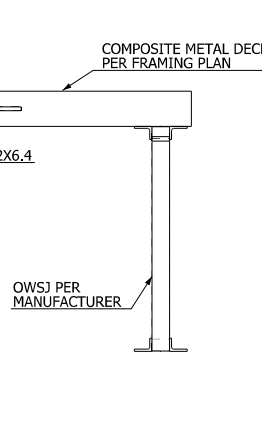
C - C
(REF:10/S5.0)
E-102



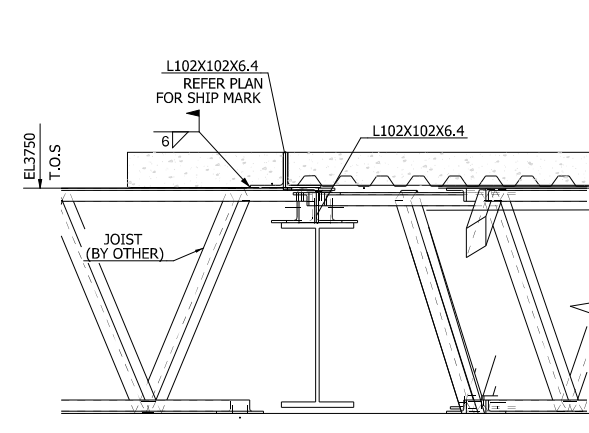
D - D
E-106
REF: 5/S5.1 (SIML)



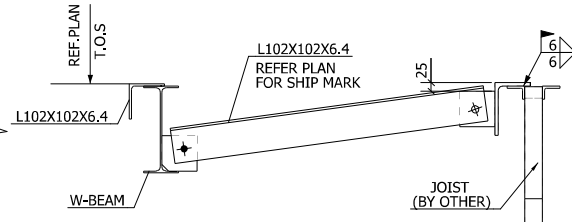
E - E
E-102
(REF: 12/S5.0)



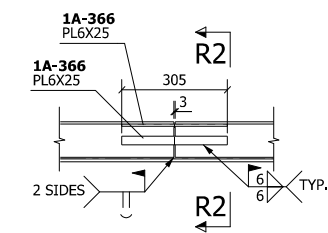
F - F
E-102
(REF: 12/S5.0)



G - G
(REF:11/S5.0)



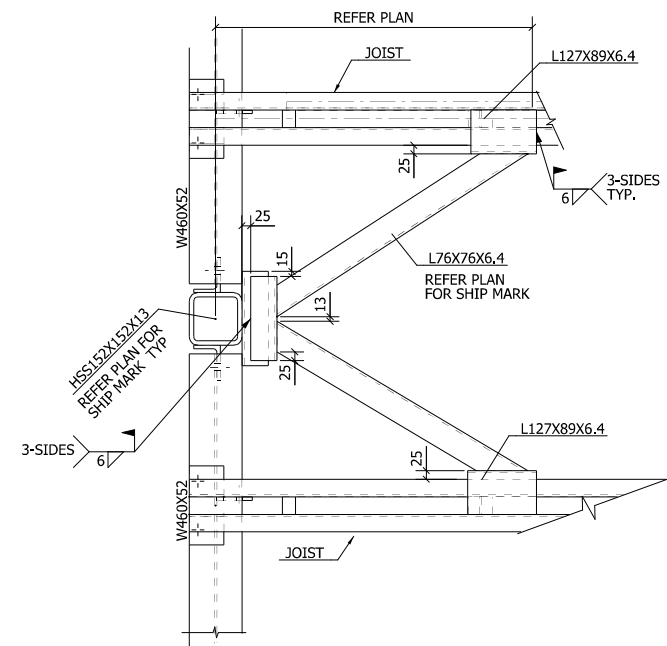
H - H
E-102
(REF: 2/S5.1)



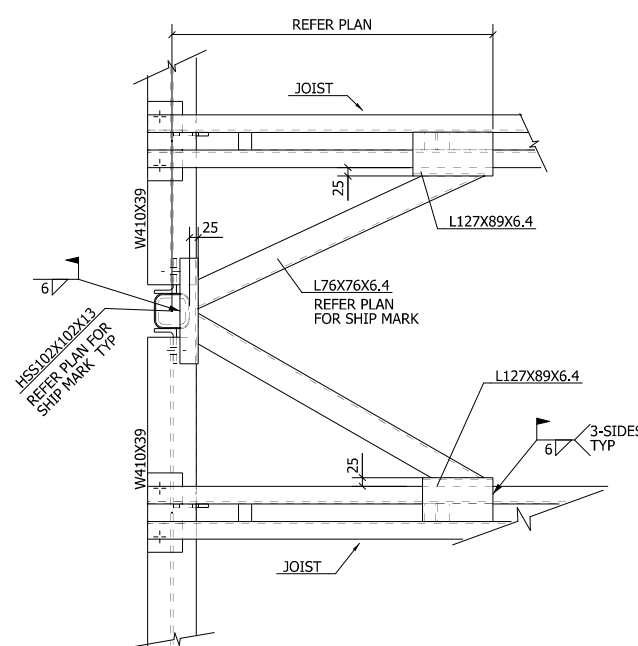
R1 - R1
TYPICAL DECK ANGLE
WELD DETAIL AT ROOF

FIELD NOTE:
LOCATE AS REQUIRED AT SITE

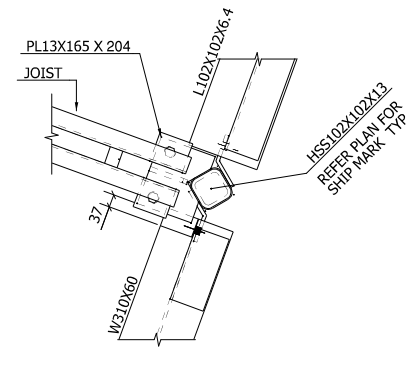
R2 - R2



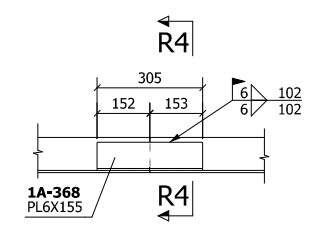
DETAIL- 5
E-102
TYPICAL TRIANGLE BRACE TO COLUMN



DETAIL- 6
E-102

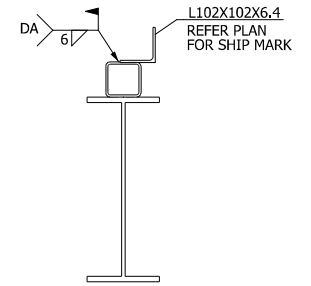


DETAIL- 7
E-106



R3 - R3
TYPICAL DECK ANGLE
WELD DETAIL AT FLOOR

R4 - R4
(REF:11/S5.0)



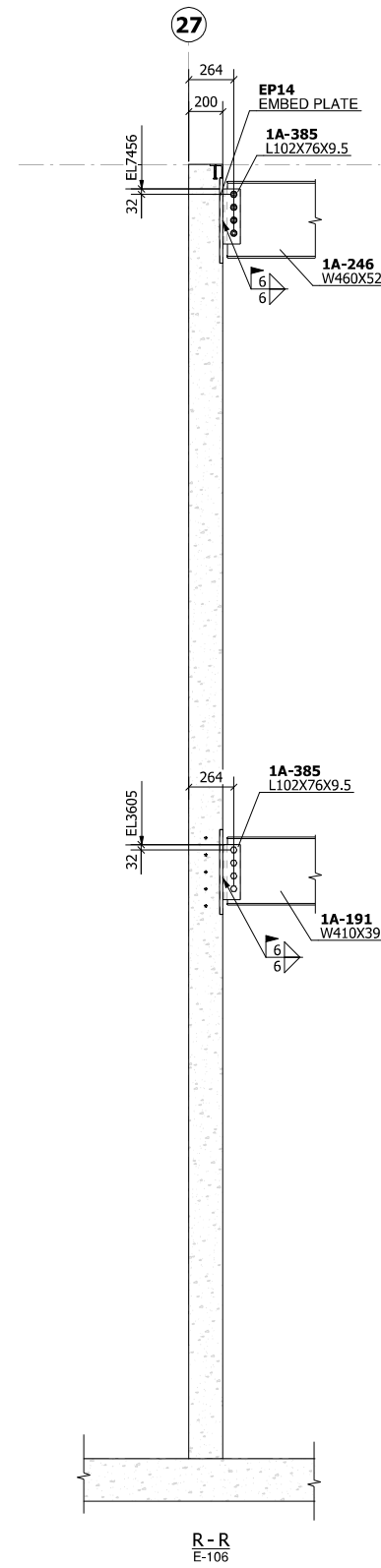
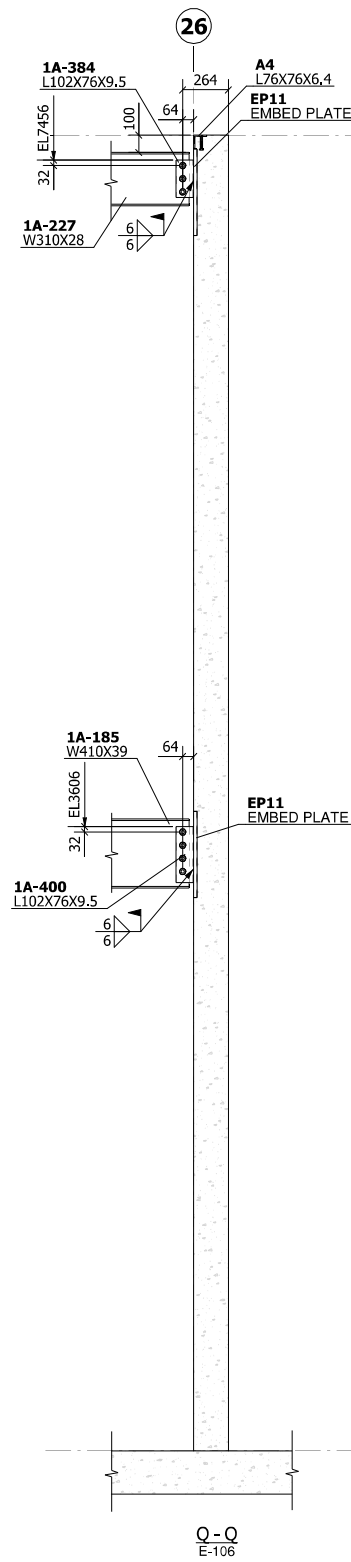
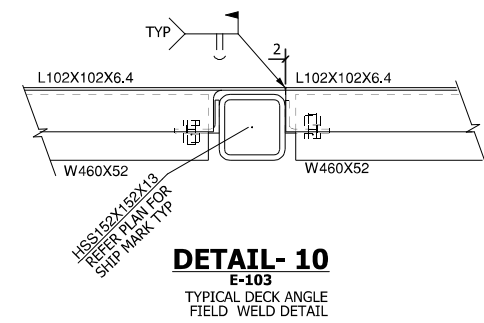
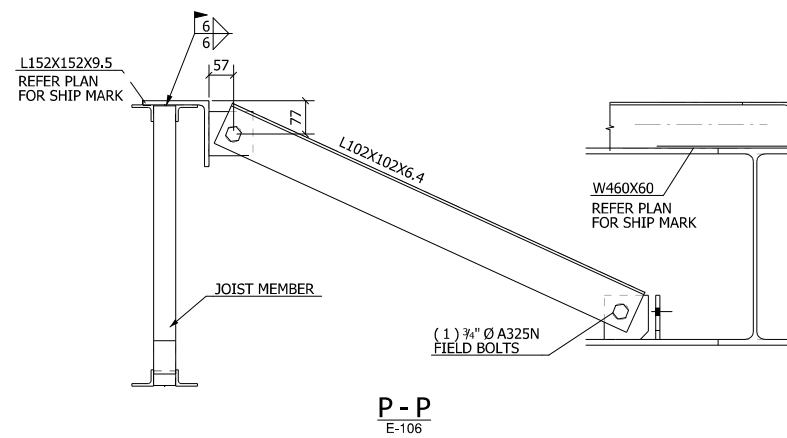
3A - 3A

LEGEND
EL. = ELEVATION
T.O.S = TOP OF STEEL

| | |
|---------------------------|------------|
| ISSUED FOR APPROVAL | 03.20.2020 |
| Rev Description | Date |
| Erection By (REF:10/S5.0) | |
| Paint | |

Rampart Steel Ltd. Structural Steel
6910 - 71 Street Miscellaneous Iron
Edmonton, Alberta Erection

| | | | |
|-----------------|-------------------------------|-------------------|---------------------------|
| Customer | CLARK BUILDERS | | Sheet No. E-109 |
| Contract | SEVEN GENERATIONS ENERGY LTD. | | |
| Detail | SECTIONS AND DETAILS | | Rev. No. A |
| Drn. By JAR | Date 17.03.2020 | Job No. 10572S | |
| Chkd. By HRR | Date Issued 20.03.2020 | | |



LEGEND
 EL. = ELEVATION
 T.O.S = TOP OF STEEL
 T.O.E.P = TOP OF EMBED PLATE

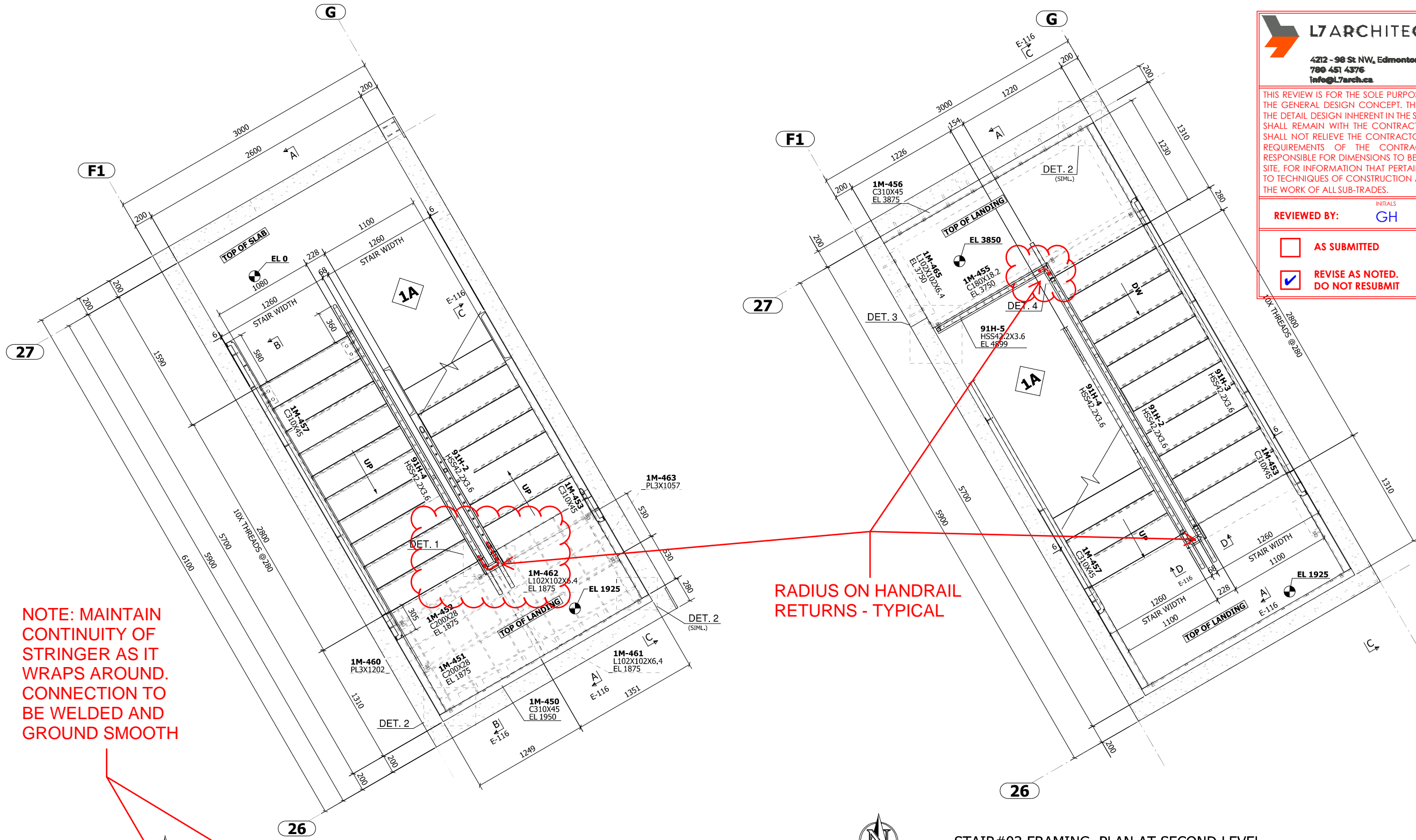
| | | |
|--|-------------------------------|--|
| ISSUED FOR APPROVAL | | 03.20.2020 |
| Rev | Description | Date |
| Erection By | | |
| Paint | | |
| Rampart Steel Ltd. 6910 - 71 Street Edmonton, Alberta | | R Structural Steel Miscellaneous Iron Erection |
| Customer | CLARK BUILDERS | |
| Contract | SEVEN GENERATIONS ENERGY LTD. | |
| Detail | SECTIONS AND DETAILS | Sheet No. |
| Drn. By | Date | Job No. |
| SCH | 18.03.2020 | 10572S |
| Chkd. By | Date Issued | Rev. No. |
| HKN | 20.03.2020 | A |

L7ARCHITECTURE
 4212 - 98 St NW, Edmonton, AB T6E 6A1
 780 451 4376
 info@l7arch.ca

THIS REVIEW IS FOR THE SOLE PURPOSE OF ASCERTAINING CONFORMANCE WITH THE GENERAL DESIGN CONCEPT. THIS REVIEW SHALL NOT MEAN APPROVAL OF THE DETAIL DESIGN INHERENT IN THE SHOP DRAWINGS, RESPONSIBILITY FOR WHICH SHALL REMAIN WITH THE CONTRACTOR SUBMITTING SAME, AND SUCH REVIEW SHALL NOT RELIEVE THE CONTRACTOR OF HIS RESPONSIBILITY FOR MEETING ALL REQUIREMENTS OF THE CONTRACT DOCUMENTS. THE CONTRACTOR IS RESPONSIBLE FOR DIMENSIONS TO BE CONFIRMED AND CORRELATED AT THE JOB SITE, FOR INFORMATION THAT PERTAINS SOLELY TO FABRICATION PROCESSED OR TO TECHNIQUES OF CONSTRUCTION AND INSTALLATION AND COORDINATION OF THE WORK OF ALL SUB-TRADES.

REVIEWED BY: INITIALS **GH** DATE: **02/APR/2020**

AS SUBMITTED REVISE & RESUBMIT
 REVISE AS NOTED, DO NOT RESUBMIT NOT REVIEWED



NOTE: MAINTAIN CONTINUITY OF STRINGER AS IT WRAPS AROUND. CONNECTION TO BE WELDED AND GROUND SMOOTH

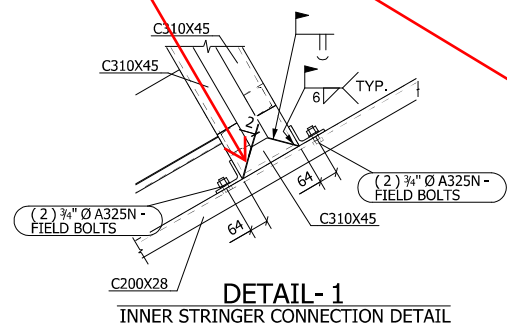
RADIUS ON HANDRAIL RETURNS - TYPICAL



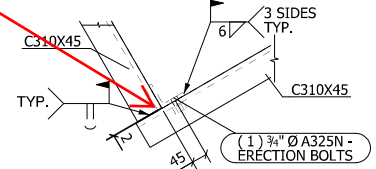
STAIR#03 FRAMING PLAN AT GROUND FLOOR



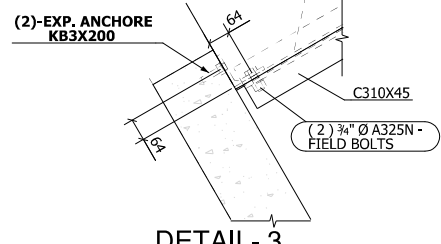
STAIR#03 FRAMING PLAN AT SECOND LEVEL



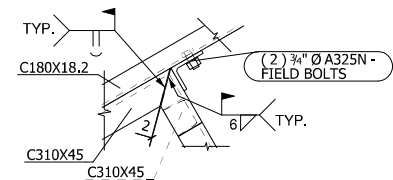
DETAIL-1
INNER STRINGER CONNECTION DETAIL



DETAIL-2
CRANKED STAIR STRINGER DETAIL



DETAIL-3
(STAIR SUPPORT CHANNEL DETAIL-TO CONCRETE)



DETAIL-4
INNER STRINGER CONNECTION DETAIL

| | | |
|---------------------|-------------|-------------------------------|
| ISSUED FOR APPROVAL | | 03.20.2020 |
| Rev | Description | Date |
| Erection By | | |
| Paint | | |
| Customer | | CLARK BUILDERS |
| Contract | | SEVEN GENERATIONS ENERGY LTD. |
| Detail | | STAIR#03 FRAMING PLAN |
| Sheet No. | | E-115 |
| Drn. By | Date | Job No. |
| SCH | 02.03.2020 | 10572S |
| Chkd. By | Date Issued | |
| HRR | 20.03.2020 | |
| Rev. No. | | A |

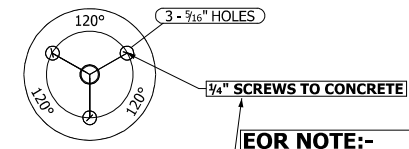
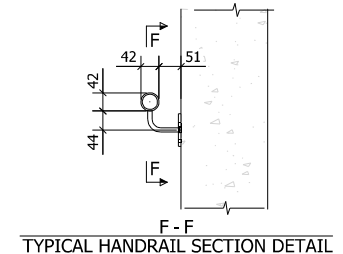
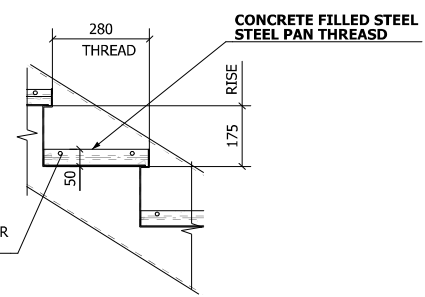
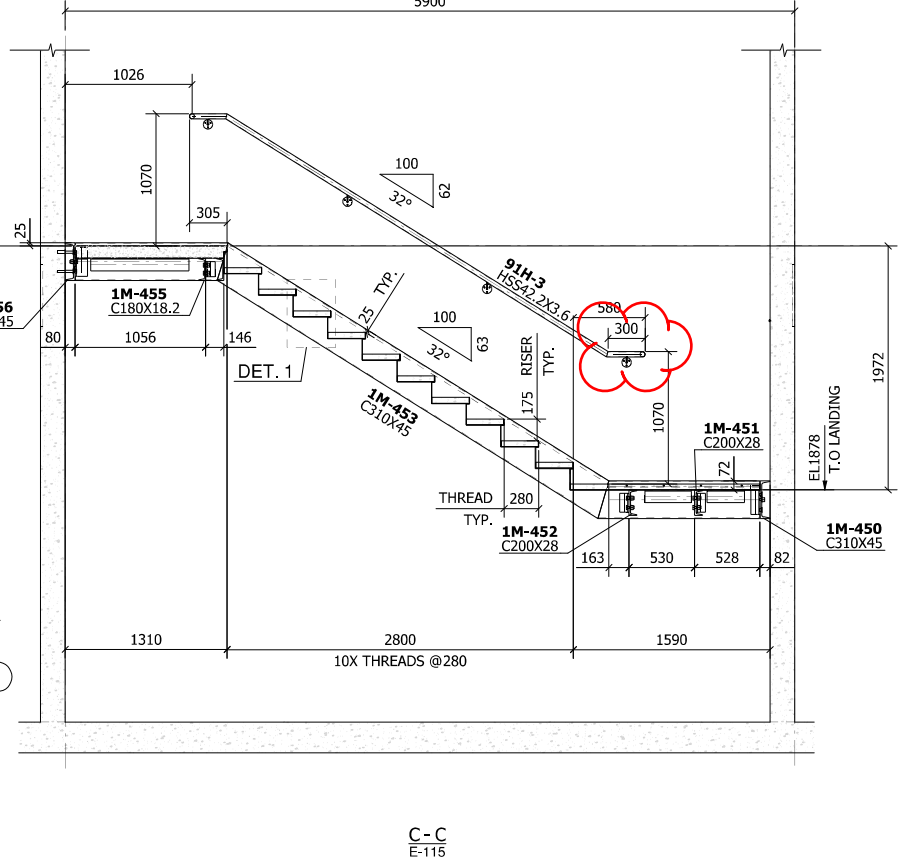
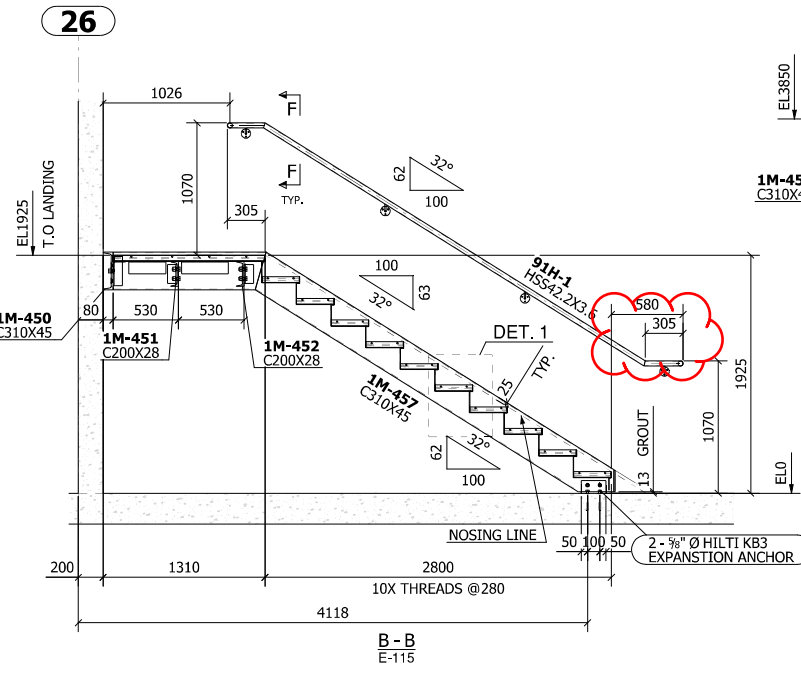
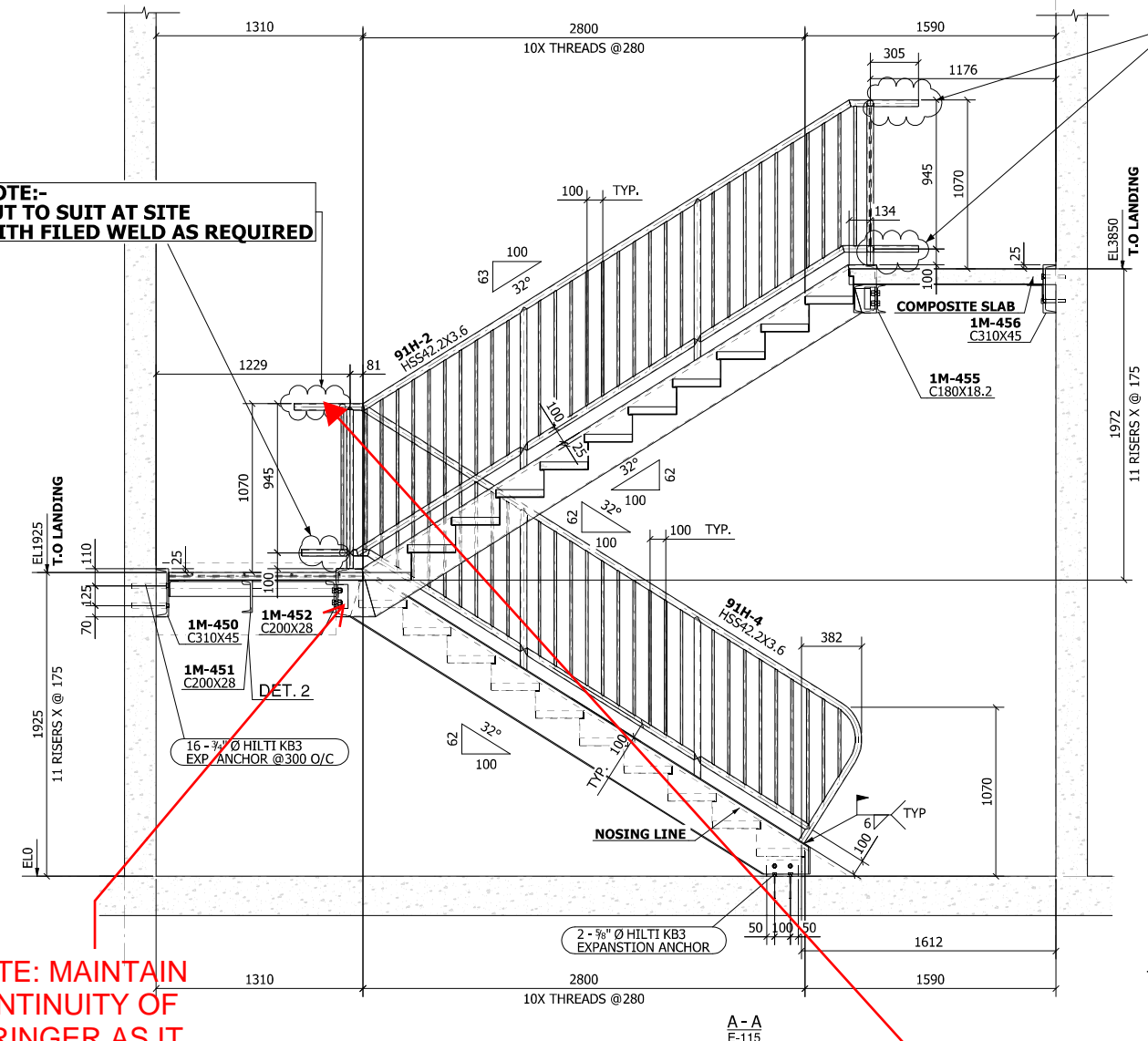
NOTE:- CUT TO SUIT AT SITE WITH FILED WELD AS REQUIRED

NOTE:- CUT TO SUIT AT SITE WITH FILED WELD AS REQUIRED

NOTE: MAINTAIN CONTINUITY OF STRINGER AS IT WRAPS AROUND. CONNECTION TO BE WELDED AND GROUND SMOOTH

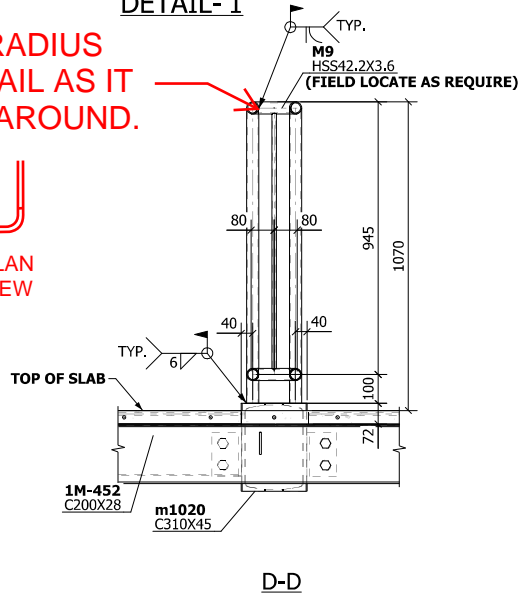
PROVIDE RADIUS TO HANDRAIL AS IT RETURNS AROUND.

RADIUS PLAN VIEW



FOR NOTE:- VERIFY AND CONFIRM FASTNER DETAILS BETWEEN CONC. WAL & BRACKET

DETAIL-1



L7 ARCHITECTURE
 4217 - 98 St NW, Edmonton, AB T6E 0A7, Canada
 780-451-7176
 info@l7arch.ca

1M-461 L102X102X6.4
 1M-451 C200X28
 1M-450 C310X45
 1M-462
 1M-452 C200X28

THIS REVIEW IS FOR THE SOLE PURPOSE OF ASCERTAINING CONFORMANCE WITH THE GENERAL DESIGN CONCEPT. THIS REVIEW SHALL NOT MEAN APPROVAL OF THE DETAIL DESIGN INHERENT IN THE SHOP DRAWINGS, RESPONSIBILITY FOR WHICH SHALL REMAIN WITH THE CONTRACTOR SUBMITTING SAME, AND SUCH REVIEW SHALL NOT RELIEVE THE CONTRACTOR OF HIS RESPONSIBILITY FOR MEETING ALL REQUIREMENTS OF THE CONTRACT DOCUMENTS. THE CONTRACTOR IS RESPONSIBLE FOR DIMENSIONS TO BE CONFIRMED AND CORRELATED AT THE JOB SITE, FOR INFORMATION PERTAINS SOLELY TO FABRICATION PROCESSED OR TO TECHNIQUES OF CONSTRUCTION AND INSTALLATION AND COORDINATION OF THE WORK OF ALL SUB-TRADES.

REVIEWED BY: **GH** DATE: **02/APR/2020**

AS SUBMITTED REVISE & RESUBMIT
 REVISE AS NOTED, DO NOT RESUBMIT NOT REVIEWED

| | |
|--|---|
| ISSUED FOR APPROVAL | 03.20.2020 |
| Rev Description | Date |
| Erection By | |
| Paint | |
| Rampart Steel Ltd. 6910 - 71 Street Edmonton, Alberta | R Structural Steel Miscellaneous Iron Erection |
| Customer CLARK BUILDERS | Sheet No. E-116 |
| Contract SEVEN GENERATIONS ENERGY LTD. | Job No. 10572S |
| Detail SECTION AND DETAILS | Rev. No. A |
| Drn. By JAR Date 18.03.2020 | Job No. 10572S |
| Chkd. By HRR Date Issued 20.03.2020 | |

29

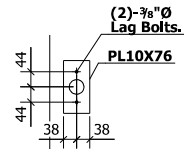
DIV# 1A

MECHANICAL ROOM

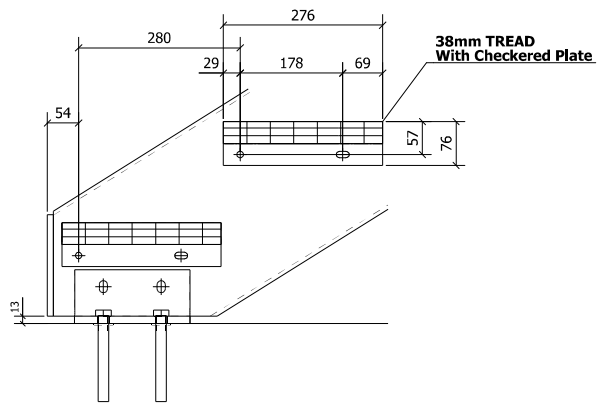
EOR QUERY#01
PLEASE VERIFY AND CONFIRM
STAIR INSIDE CLEAR WIDTH
FOLLOWED IS OKAY & CORRECT.

AS PER RESPONSE
TO RFI#69

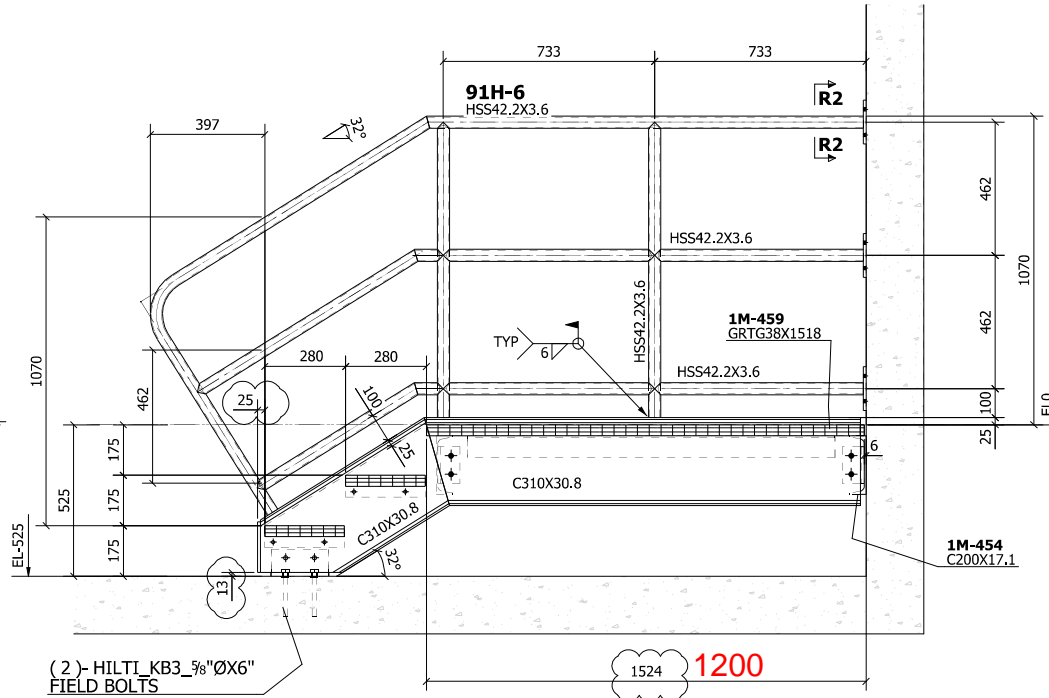
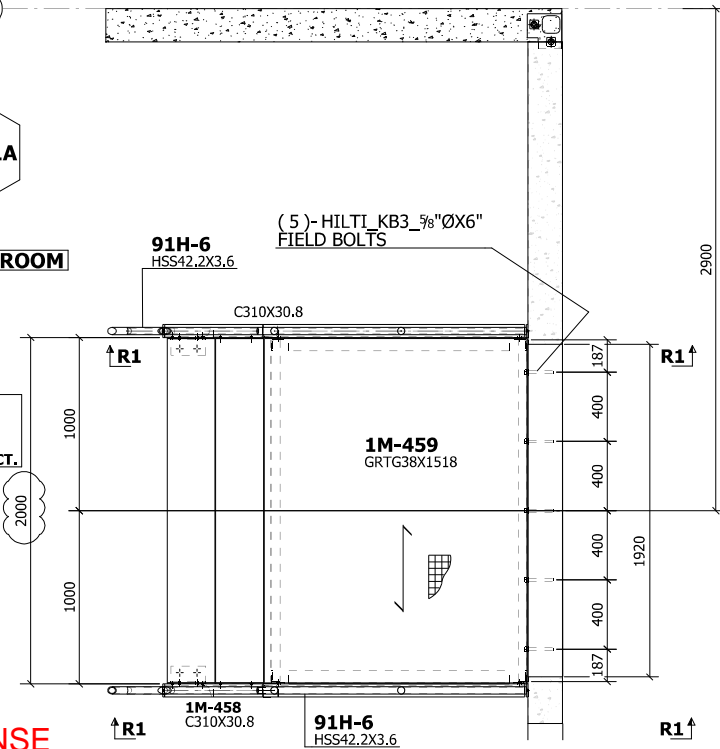
MECHANICAL ROOM STAIR DETAILS



R2 - R2



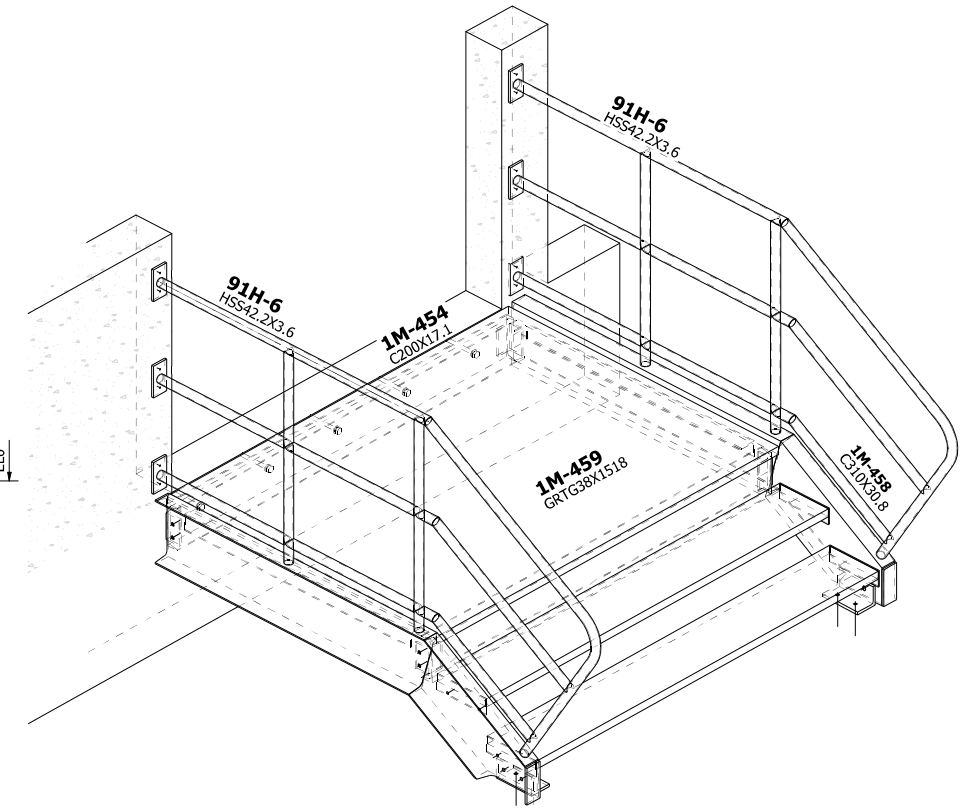
TYPICAL DETAIL



R1 - R1

EOR QUERY#02
PLEASE VERIFY AND CONFIRM
LANDING DIMENSION FOLLOWED
FROM FACE OF WALL IS OKAY &
CORRECT. DESIGN DRAWING NOT
SHOWN LANDING WIDTH.

AS PER RESPONSE
TO RFI#69



L7 ARCHITECTURE
 4212 - 98 St NW, Edmonton, AB T6E 6A1
 780 451 4376
 info@L7arch.ca

THIS REVIEW IS FOR THE SOLE PURPOSE OF ASCERTAINING CONFORMANCE WITH THE GENERAL DESIGN CONCEPT. THIS REVIEW SHALL NOT MEAN APPROVAL OF THE DETAIL DESIGN INHERENT IN THE SHOP DRAWINGS, RESPONSIBILITY FOR WHICH SHALL REMAIN WITH THE CONTRACTOR SUBMITTING SAME, AND SUCH REVIEW SHALL NOT RELIEVE THE CONTRACTOR OF HIS RESPONSIBILITY FOR MEETING ALL REQUIREMENTS OF THE CONTRACT DOCUMENTS. THE CONTRACTOR IS RESPONSIBLE FOR DIMENSIONS TO BE CONFIRMED AND CORRELATED AT THE JOB SITE, FOR INFORMATION THAT PERTAINS SOLELY TO FABRICATION PROCESSED OR TO TECHNIQUES OF CONSTRUCTION AND INSTALLATION AND COORDINATION OF THE WORK OF ALL SUB-TRADES.

REVIEWED BY: **GH** DATE: **02/APR/2020**

AS SUBMITTED REVISE & RESUBMIT
 REVISE AS NOTED. DO NOT RESUBMIT NOT REVIEWED

| | | |
|---------------------|-------------|-------------------------------|
| ISSUED FOR APPROVAL | | 03.20.2020 |
| Rev | Description | Date |
| Erection By | | |
| Paint | | |
| Customer | | CLARK BUILDERS |
| Contract | | SEVEN GENERATIONS ENERGY LTD. |
| Detail | | MECHANICAL ROOM STAIR DETAIL |
| Drn. By | Date | Job No. |
| JAR | 19.03.2020 | 10572S |
| Chkd. By | Date Issued | Rev. No. |
| HRR | 20.03.2020 | A |

Rampart Steel Ltd. Structural Steel
 6910 - 71 Street Miscellaneous Iron
 Edmonton, Alberta Erection

E-117