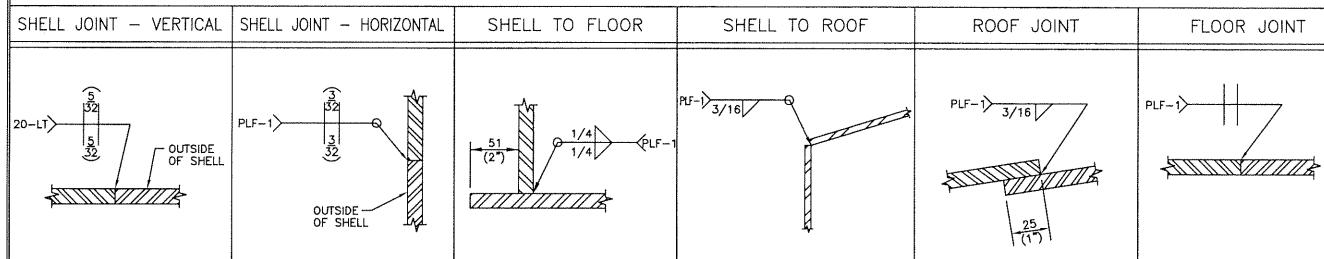


STANDARD WELD DETAILS (N.T.S.)



CUSTOMER SPECIFICATIONS

DESIGN CODE: API-12F MODIFIED
 SERIAL NO: 018753-2
 DESIGN PRESSURE: 8.2
 DESIGN TEMPERATURE: -13°C (8.6°F) TO 93°C (200°F)
 OPERATING PRESS/TEMP: OIL, WATER, GAS (SWEET)
 OPERATING LEVEL: NIL
 CORROSION ALLOWANCE: NIL
 OTHER:

FINISHING

EXTERNAL: NONE
 INTERNAL: NONE
 TESTING: AIR SOAP TEST TO 12 OZ.
 INSULATION: APPLY 2" THK SPRAYED ON HIGH-TEMP URETHANE TO SHELL & ROOF C/W 12 MILS OF BLACK ELASTOMERIC SEALER.

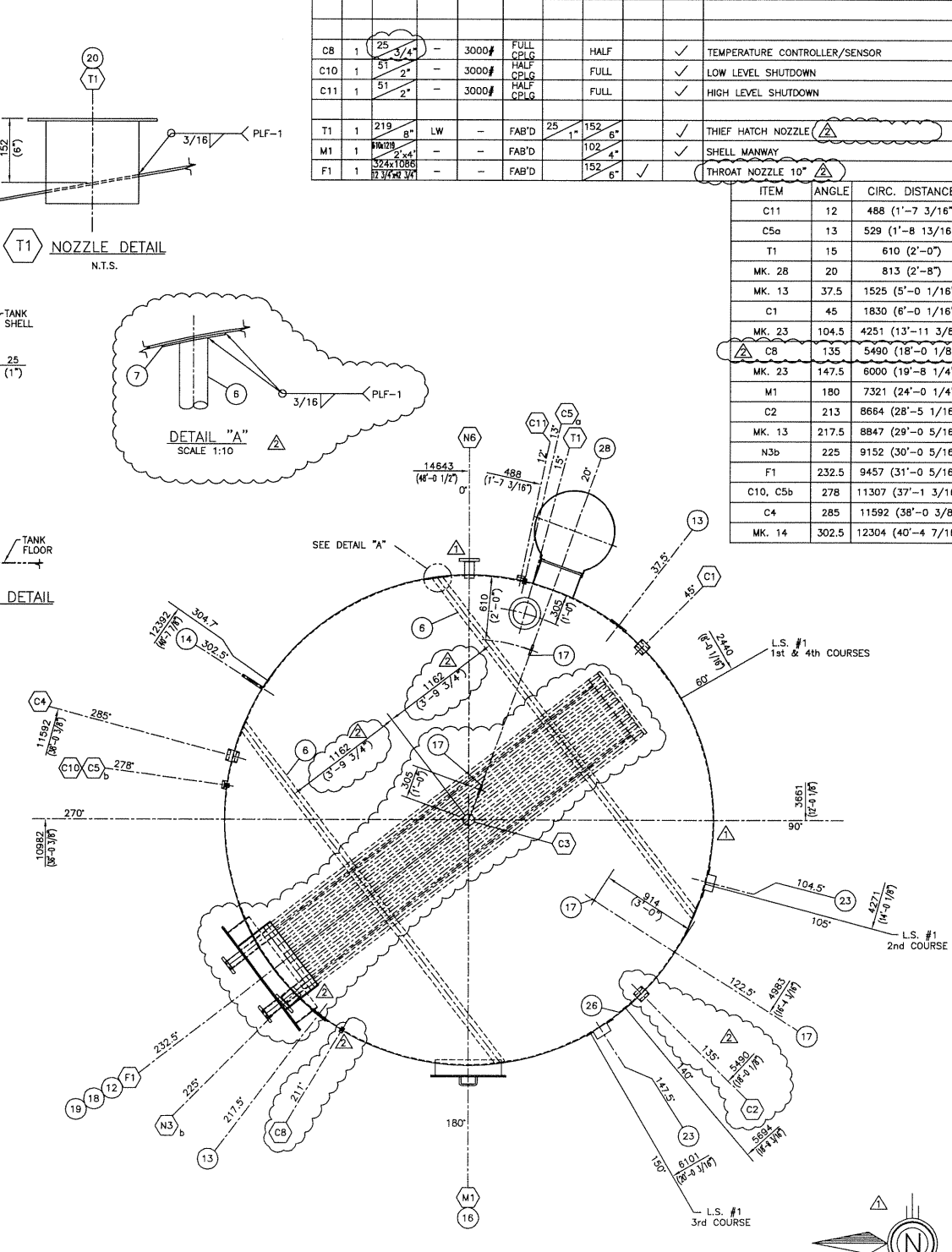
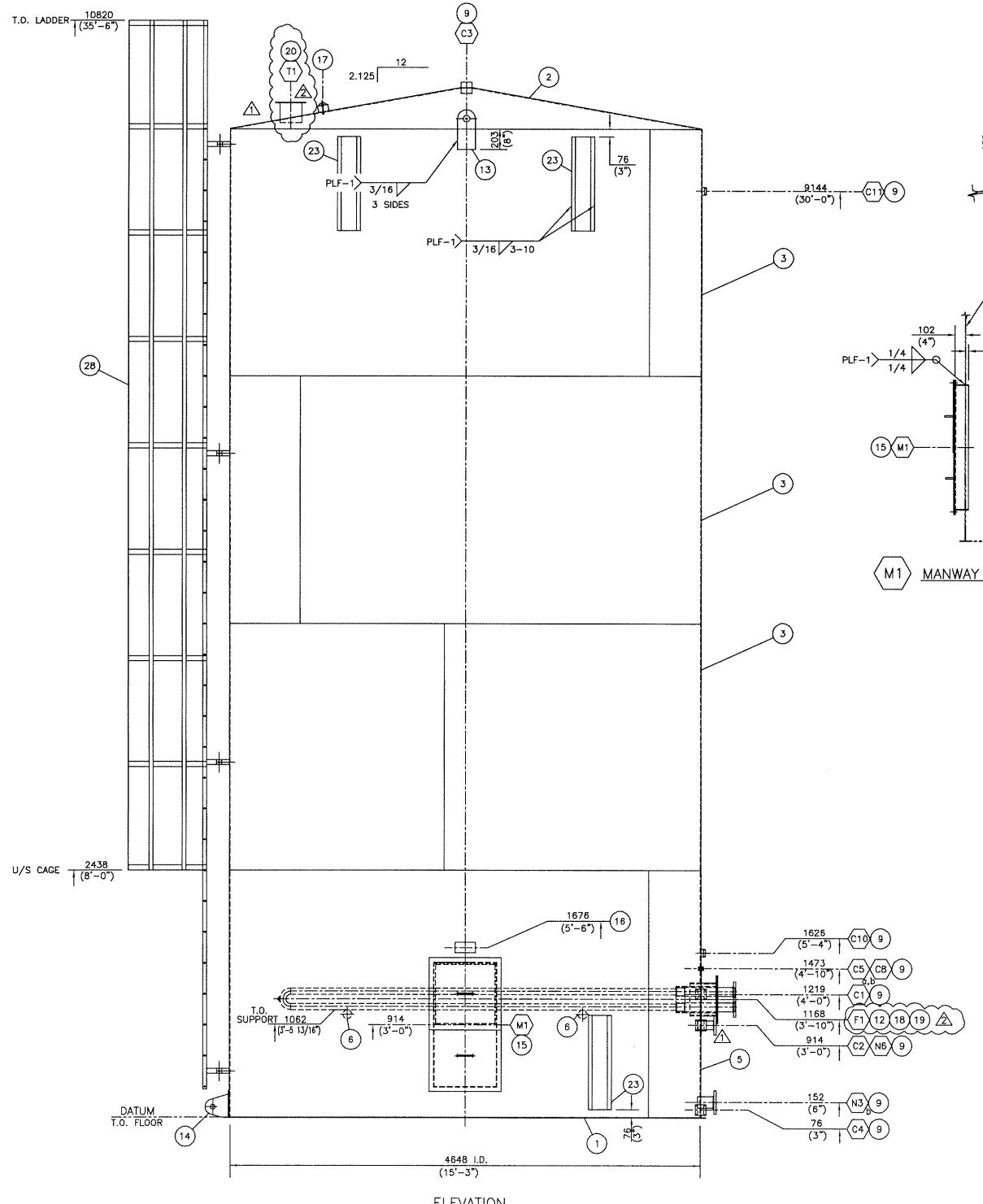
NOZZLE SCHEDULE

MK	NO	SIZE	SCH	RATE	TYPE	PROJECTION		REPAD		DESCRIPTION			
						INT.	EXT.	YES	NO				
N3b	1	1 1/4"	XS	ANSI 150	RFSO	25	1"	152	6"	✓	DRAIN/SINGING		
N6	1	89	3"	STD	ANSI 150	RFSO	25	1"	152	6"	✓	ELECTRONIC PRESSURE TRANSMITTER/LEVEL INDICATOR	
C1	1	76	3"	-	3000#	FULL CPLG				HALF	✓	BYPASS INLET	
C2	1	76	3"	-	3000#	FULL CPLG				HALF	✓	INLET	
C3	1	76	3"	-	3000#	FULL CPLG				HALF	✓	VENT	
C4	1	76	3"	-	3000#	FULL CPLG				HALF	✓	DRAIN	
C5	2	19	3/4"	-	3000#	FULL CPLG				HALF	✓	T.I.	
C8	1	25	3/4"	-	3000#	FULL CPLG				HALF	✓	TEMPERATURE CONTROLLER/SENSOR	
C10	1	51	2"	-	3000#	HALF CPLG				FULL	✓	LOW LEVEL SHUTDOWN	
C11	1	51	2"	-	3000#	HALF CPLG				FULL	✓	HIGH LEVEL SHUTDOWN	
T1	1	219	8"	LW	-	FAB'D	25	1"	152	6"	✓	THIEF HATCH NOZZLE	
M1	1	14	2 1/4"	-	-	FAB'D				102	4"	✓	SHELL MANWAY
F1	1	324	10 3/4"	-	-	FAB'D				152	6"	✓	THROAT NOZZLE 10"

MATERIAL LIST

MK	QTY	DESCRIPTION	MATERIAL	WT
1	2	FLOOR HALF: PLATE 1/4" THK. x 15'-7 1/2" DIA.	PRT-2425	1958
2	2	ROOF HALF: PLATE 3/16" THK. x 15'-5 13/16" FLAT DIA.	PRT-2426	1467
3	3	SHELL: PLATE 3/16" THK. x 8'-0" x 47'-11 1/2" LG.	G40.21-44W	8814
5	1	SHELL: PLATE 1/4" THK. x 8'-0" x 47'-11 1/16" LG.	G40.21-44W	3917
6	2	PIPE 3" SCH STD x 13'-4" LG. SMLS PBE	SA-106-B	203
7	4	PLATE 3/16" THK. x 8" DIA.	G40.21-44W	11
9	1	NOZZLE DETAILS	REF. DWG. T-018753-D402	880
10	1			
11	1			
12	1	HEATING COIL 2" 315,000 BTU/HR. (SUPPLIED BY GRIT IND.)	-	1000
13	2	LIFTING LUG	PRT-4273	15
14	1	TAILING LUG C/W REPAD	PRT-4276	10
15	1	SHELL MANWAY 2'-0" x 4'-0" C/W 1/4" SPLIT COVER	PRT-1221 PRT-1492	191
16	1	NAMEPLATE BRACKET C/W NAMEPLATE	PRT-2896	5
17	3	TANK ROOF SAFETY HARNESS LUG	PRT-2533	1
18	1	FIRETUBE THROAT	PRT-1108	110
19	1	FIRETUBE THROAT REPAD	PRT-1161	61
20	1	THIEF HATCH NOZZLE	PRT-2891	21
21				
22	1			
23	4	TANK HAULING PAD	PRT-1494	120
24				
25				
26				
27				
28	1	LADDER DETAILS	PRT-2966	385
29				
30				
31				
32				
33				
34				
35				
36				
37				
38				
39				
40				
		INSULATION		1000
		QTY'S ARE FOR ONE TANK - 1 REQ'D	SUBTOTAL	20169
			x 1.06	
			TOTAL	21379 lbs

ITEM	ANGLE	CIRC. DISTANCE
C11	12	488 (1'-7 3/16")
C5a	13	529 (1'-8 13/16")
T1	15	610 (2'-0")
MK. 28	20	813 (2'-8")
MK. 13	37.5	1525 (5'-0 1/16")
C1	45	1830 (6'-0 1/16")
MK. 23	104.5	4251 (13'-11 3/8")
C8	135	5490 (18'-0 1/8")
MK. 23	147.5	6000 (19'-8 1/4")
M1	180	7321 (24'-0 1/4")
C2	213	8684 (28'-5 1/16")
MK. 13	217.5	8847 (28'-0 5/16")
N3b	225	9152 (30'-0 5/16")
F1	232.5	9457 (31'-0 5/16")
C10, C5b	278	11307 (37'-1 3/16")
C4	285	11592 (38'-0 3/8")
MK. 14	302.5	12304 (40'-4 7/16")



NOTES:

- ALL DIMENSIONS ARE IN S.I. & IMPERIAL UNITS. DIMENSIONS IN BRACKETS ARE IMPERIAL HARD CONVERSIONS FOR SHOP REFERENCE ONLY.
- ALL FLANGE RATINGS TO BE ASME B16.5 - 2003.
- DRILL 8(1/4") TELLTALE HOLE IN REINFORCING PADS. (C/W HALF COUPLING 1/4" 3000# F.S. SCR'D SA-105)
- FLANGE AND BOLT HOLES TO STRADDLE PRINCIPAL CENTERLINES OF TANK.
- ALL NOZZLE PROJECTIONS GIVEN ARE ALONG THE NOZZLE CENTERLINE.
- PEACELAND INSPECTION LEVEL 1.
- PEACELAND IS NOT RESPONSIBLE FOR ENVIRO-VAULT DESIGN, BUT ARE RESPONSIBLE FOR ITS INTEGRATION INTO THE TANK. THE ENTIRE TANK, INCLUDING THE ENVIRO-VAULT, IS TO MEET THE DESIGN PRESSURE/VACUUM CONDITIONS SPECIFIED ABOVE.
- STENCIL LOW LEVEL AND ADD RED REFLECTIVE TAPE AT 42 CUBIC METERS.

NO	DATE (d/m/y)	REVISIONS	BY	APPD
07/08/09		REMOVED ANCHOR CHAIRS & MARSH HAWK, REVISED TESTING NOTE & C2 ORIENTATION, CHANGED NO. # FROM 018551, REVISED SERIAL NUMBER & ADDED HEATING COIL	JKK	
02/07/09		REVISED TITLE BLOCK, REMOVED NS & GAUGEBOARD, ADDED MH & PLACED FIRETUBE ON HOLD	JKK	
23/06/09		ISSUED FOR CONSTRUCTION	JKK	

THIS DRAWING IS THE PROPERTY OF PEACELAND FABRICATING & SUPPLY LTD. AND IS TO BE USED ONLY IN CONJUNCTION WITH PERFORMANCE OF WORK BY PEACELAND FABRICATING & SUPPLY LTD.. REPRODUCTION OR USE OF IN WHOLE OR IN PART FOR ANY OTHER PURPOSE IS EXPRESSLY FORBIDDEN.

PEACELAND FABRICATING

CLIENT: BAYTEX ENERGY LTD.
 CLIFFDALE 04-15-84-17 W5M OIL BATTERY

DWG TITLE: 1000 BBL REGEN WASTE TANK - SEAL LAKE
 GENERAL ARRANGEMENT
 TAG # T-820

SIZE: 4648mm I.D. x 9754mm HIGH (15'-3" I.D. x 32'-0" HIGH) VOLUME: 160 CU. METERS (1000 Bbl) NOM. QUOTE # 6629

SCALE: 1:30 DWN BY: J. KELLY DWG NO. T-018753-D401 SHEET NO. 1 OF 1 REV. NO. 2

DATE (d/m/y): 23/06/09 CHKD: APPD: