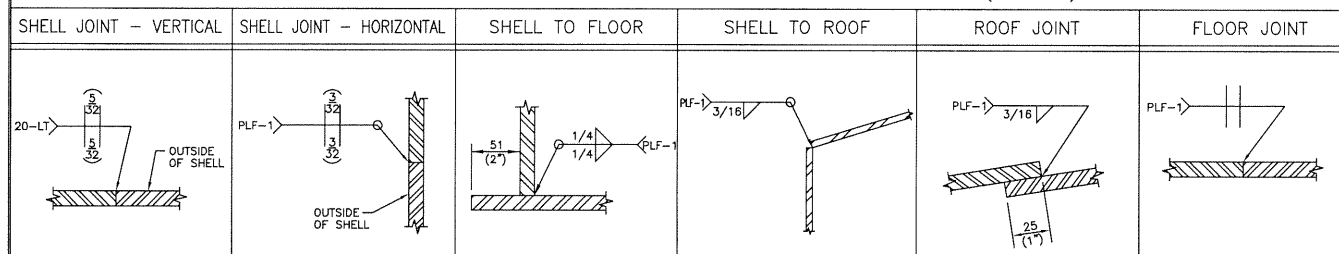


STANDARD WELD DETAILS (N.T.S.)



DESIGN CODE: API-12E MODIFIED  
 SERIAL NO: 018753-3  
 DESIGN PRESSURE: 802  
 DESIGN TEMPERATURE: -13°C (8.6°F) TO 93°C (200°F)  
 OPERATING PRESS/TEMP:  
 SERVICE: OIL, WATER, GAS (SWEET)  
 OPERATING LEVEL:  
 CORROSION ALLOWANCE: NIL  
 OTHER:  
 FINISHING

EXTERNAL: NONE  
 INTERNAL: NONE  
 TESTING: AIR SOAP TEST TO 12 oz.  
 INSULATION: APPLY 2" THK SPRAYED ON HIGH-TEMP URETHANE TO SHELL & ROOF C/W 12 MILS OF BLACK ELASTOMERIC SEALER.

NOZZLE SCHEDULE

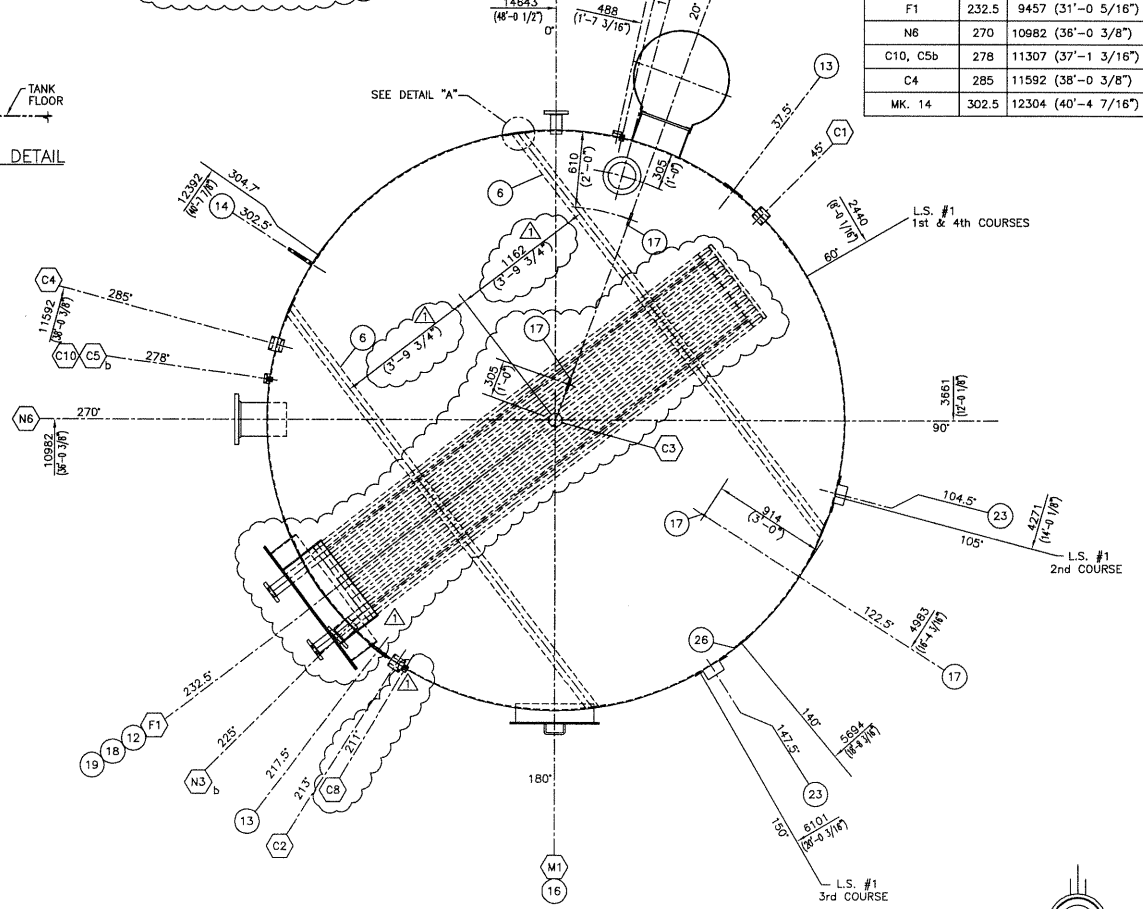
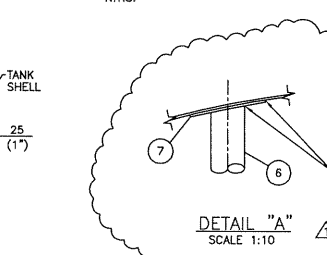
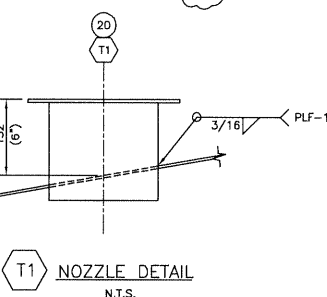
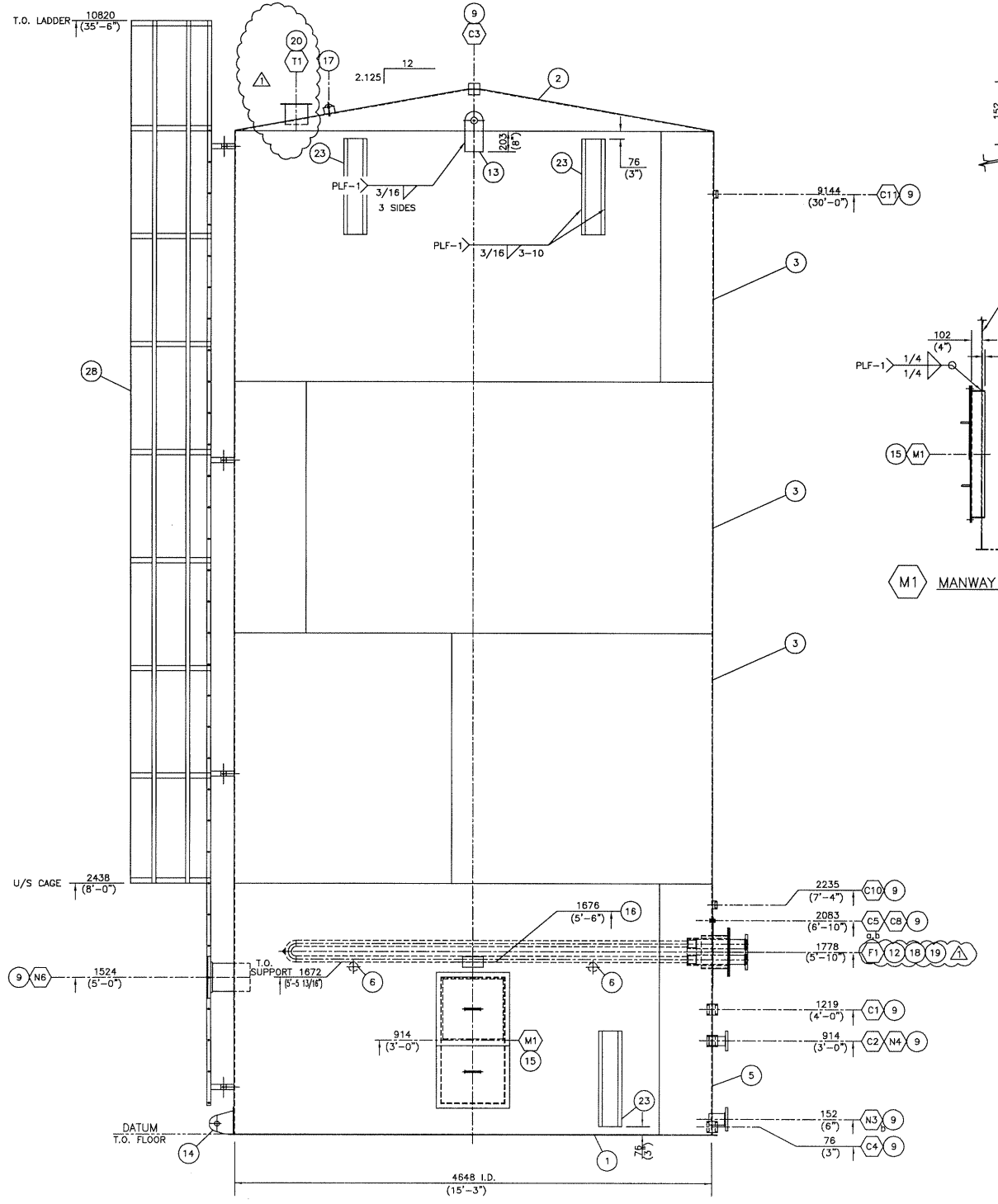
MK	NO	SIZE	SCH	RATE	TYPE	PROJECTION		REPAD		DESCRIPTION	
						INT.	EXT.	YES	NO		
N3b	1	1 1/4"	4"	XS	ANSI 150	RFSO	25	152	6"	✓	DRAIN/STINGING
N4	1	89	3"	STD	ANSI 150	RFSO	25	152	6"	✓	ELECTRONIC PRESSURE TRANSMITTER/LEVEL INDICATOR
N6	1	273	10"	STD	ANSI 150	RFSO	152	254	10"	✓	OUTLET
C1	1	76	3"	-	3000#	FULL CPLG				✓	BYPASS INLET
C2	1	76	3"	-	3000#	FULL CPLG				✓	INLET
C3	1	76	3"	-	3000#	FULL CPLG				✓	VENT
C4	1	76	3"	-	3000#	FULL CPLG				✓	DRAIN
C5	2	19	3/4"	-	3000#	FULL CPLG				✓	T.I.
C8	1	19	3/4"	-	3000#	FULL CPLG				✓	TEMPERATURE CONTROLLER/SENSOR
C10	1	51	2"	-	3000#	HALF CPLG				✓	LOW LEVEL SHUTDOWN
C11	1	51	2"	-	3000#	HALF CPLG				✓	HIGH LEVEL SHUTDOWN
T1	1	219	9"	LW	-	FAB'D	25	152	6"	✓	THIEF HATCH NOZZLE
M1	1	102	4"	-	-	FAB'D				✓	SHELL MANWAY
F1	1	102	4"	-	-	FAB'D				✓	THROAT NOZZLE 10"

MATERIAL LIST

MK	QTY	DESCRIPTION	MATERIAL	WT
1	2	FLOOR HALF: PLATE 1/4" THK. x 15'-7 1/2" DIA.	PRT-2425	1958
2	2	ROOF HALF: PLATE 3/16" THK. x 15'-5 13/16" FLAT DIA.	PRT-2426	1467
3	3	SHELL: PLATE 3/16" THK. x 8'-0" x 47'-11 1/2" LG.	G40.21-44W	8814
4				
5	1	SHELL: PLATE 1/4" THK. x 8'-0" x 47'-11 1/16" LG.	G40.21-44W	3917
6	2	PIPE 3" SCH STD x 13'-4" LG. SMLS PBE	SA-106-B	203
7	4	PLATE 3/16" THK. x 8" DIA.	G40.21-44W	11
8				
9	1	NOZZLE DETAILS	REF. DWG. T-018753-D602	880
10				
11				
12	1	HEATING COIL 2" 770,000 BTU/HR. (SUPPLIED BY GRIT IND.)	-	1000
13	2	LIFTING LUG	PRT-4273	15
14	1	TAILING LUG C/W REPAD	PRT-4276	10
15	1	SHELL MANWAY 2'-0" x 4'-0" C/W 1/4" SPLIT COVER	PRT-1221 PRT-1492	191
16	1	NAMEPLATE BRACKET C/W NAMEPLATE	PRT-2896	5
17	3	TANK ROOF SAFETY HARNESS LUG	PRT-2533	1
18	1	FIRETUBE THROAT	PRT-1108	110
19	1	FIRETUBE THROAT REPAD	PRT-1161	61
20	1	THIEF HATCH NOZZLE	PRT-2891	21
21				
22				
23	4	TANK HAULING PAD	PRT-1494	120
24				
25				
26				
27				
28	1	LADDER DETAILS	PRT-2966	385
29				
30				
31				
32				
33				
34				
35				
36				
37				
38				
39				
40				
		INSULATION		1000
		QTY'S ARE FOR ONE TANK - 1 REQ'D		
		SUBTOTAL	20169	
		x 1.06		
		TOTAL	21379	lbs

ITEM	ANGLE	CIRC. DISTANCE
C11	12	488 (1'-7 3/16")
C5a	13	529 (1'-8 13/16")
T1	15	610 (2'-0")
MK. 28	20	813 (2'-8")
MK. 13	37.5	1525 (5'-0 1/16")
C1	45	1830 (6'-0 1/16")
MK. 23	104.5	4251 (13'-11 3/8")
MK. 23	147.5	6000 (19'-8 1/4")
M1	180	7321 (24'-0 1/4")
C8	211	8582 (28'-1 7/8")
C2	213	8864 (28'-5 1/16")
MK. 13	217.5	8847 (28'-0 5/16")
N3b	225	9152 (30'-0 5/16")
F1	232.5	9457 (31'-0 5/16")
N6	270	10982 (36'-0 3/8")
C10, C5b	278	11307 (37'-1 3/16")
C4	285	11592 (38'-0 3/8")
MK. 14	302.5	12304 (40'-4 7/16")

NOTES:  
 1. ALL DIMENSIONS ARE IN S.I. & IMPERIAL UNITS. DIMENSIONS IN BRACKETS ARE IMPERIAL HARD CONVERSIONS FOR SHOP REFERENCE ONLY.  
 2. ALL FLANGE RATINGS TO BE ASME B16.5 - 2003.  
 3. DRILL 6(1/4") TELLTALE HOLE IN REINFORCING PADS. (C/W HALF COUPLING 1/4" 3000# F.S. SCR'D SA-105)  
 4. FLANGE AND BOLT HOLES TO STRADDLE PRINCIPAL CENTERLINES OF TANK.  
 5. ALL NOZZLE PROJECTIONS GIVEN ARE ALONG THE NOZZLE CENTERLINE.  
 6. PEACELAND INSPECTION LEVEL 1.  
 7. PEACELAND IS NOT RESPONSIBLE FOR ENVIRO-VAULT DESIGN, BUT ARE RESPONSIBLE FOR ITS INTEGRATION INTO THE TANK.  
 THE ENTIRE TANK, INCLUDING THE ENVIRO-VAULT, IS TO MEET THE DESIGN PRESSURE/VACUUM CONDITIONS SPECIFIED ABOVE.  
 8. STENCIL LOW LEVEL AND ADD RED REFLECTIVE TAPE AT 50 CUBIC METERS.



NO	DATE (d/m/y)	REVISIONS	BY	APPD
04/08/09		REMOVED ANCHOR CHAIRS & MARSH HAWK & REVISED TESTING NOTE CHANGED NO. FROM 018551, REVISED SERIAL NUMBER & ADDED HEATING COIL	JKK	
02/07/09		ISSUED FOR CONSTRUCTION	JKK	JK

THIS DRAWING IS THE PROPERTY OF PEACELAND FABRICATING & SUPPLY LTD. AND IS TO BE USED ONLY IN CONJUNCTION WITH PERFORMANCE OF WORK BY PEACELAND FABRICATING & SUPPLY LTD. REPRODUCTION OR USE IN WHOLE OR IN PART FOR ANY OTHER PURPOSE IS EXPRESSLY FORBIDDEN.

**PEACELAND FABRICATING**

CLIENT: BAYTEX ENERGY LTD.  
 CLIFFDALE 04-15-84-17 W5M OIL BATTERY

DWG TITLE: 1000 BBL BFW TANK - SEAL LAKE  
 GENERAL ARRANGEMENT  
 TAG # T-800

SIZE: 4648mm I.D. x 9754mm HIGH (15'-3" I.D. x 32'-0" HIGH) VOLUME: 160 CU. METERS (1000 Bbl) NOM. QUOTE #: 6629

SCALE: 1:30 DWN BY: J. KELLY DWG NO.: T-018753-D601 SHEET NO.: 1 OF 1 REV. NO.: 1

DATE (d/m/y): 02/07/09 CHKD: APPD: