

RJV

GAS FIELD SERVICES

4901 BRUCE RD VEGREVILLE, ALTA  
T9C-1C3

PHONE (780) 632-7774  
FAX (780) 632-6820

BY

TITLE: HUSKY OIL OPERATIONS LIMITED

24" x 10' s/s 3-PHASE, 600# ANSI,  
STD. SERVICE, 10 WELL HEADER,  
SATELLITE/TEST SEPARATOR FACILITIES.

DESCRIPTION

DWG. #

5307-1

REV. #

RJV

JOB#

14-5307

WARNING !

This drawing and the design it covers  
are confidential and shall not be dis-  
closed to others or reproduced in  
any manner, or used for any purpose  
whatsoever, except with written con-  
sent of R J V Gas Field Services Ltd.

DATE

REV

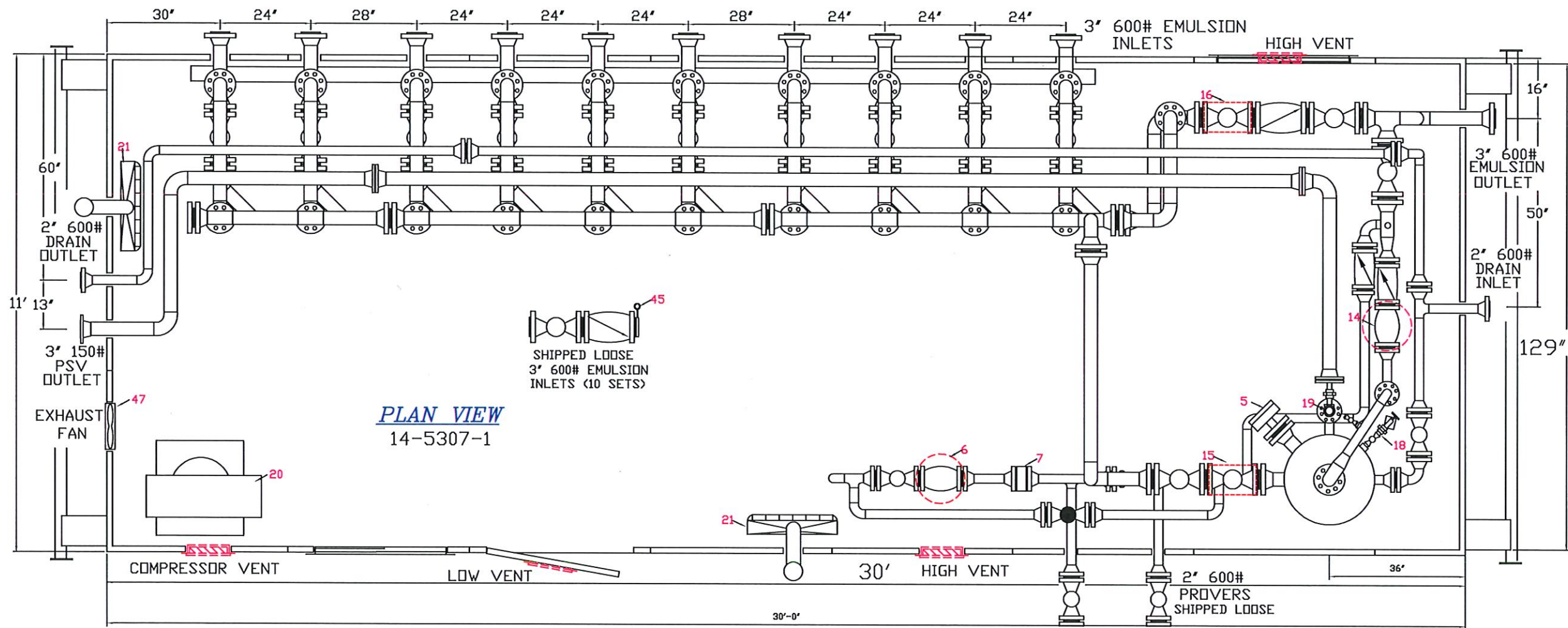
Dwn By: SI

Date: AUG. 15/14

Scale: N.T.S.

# EQUIPMENT

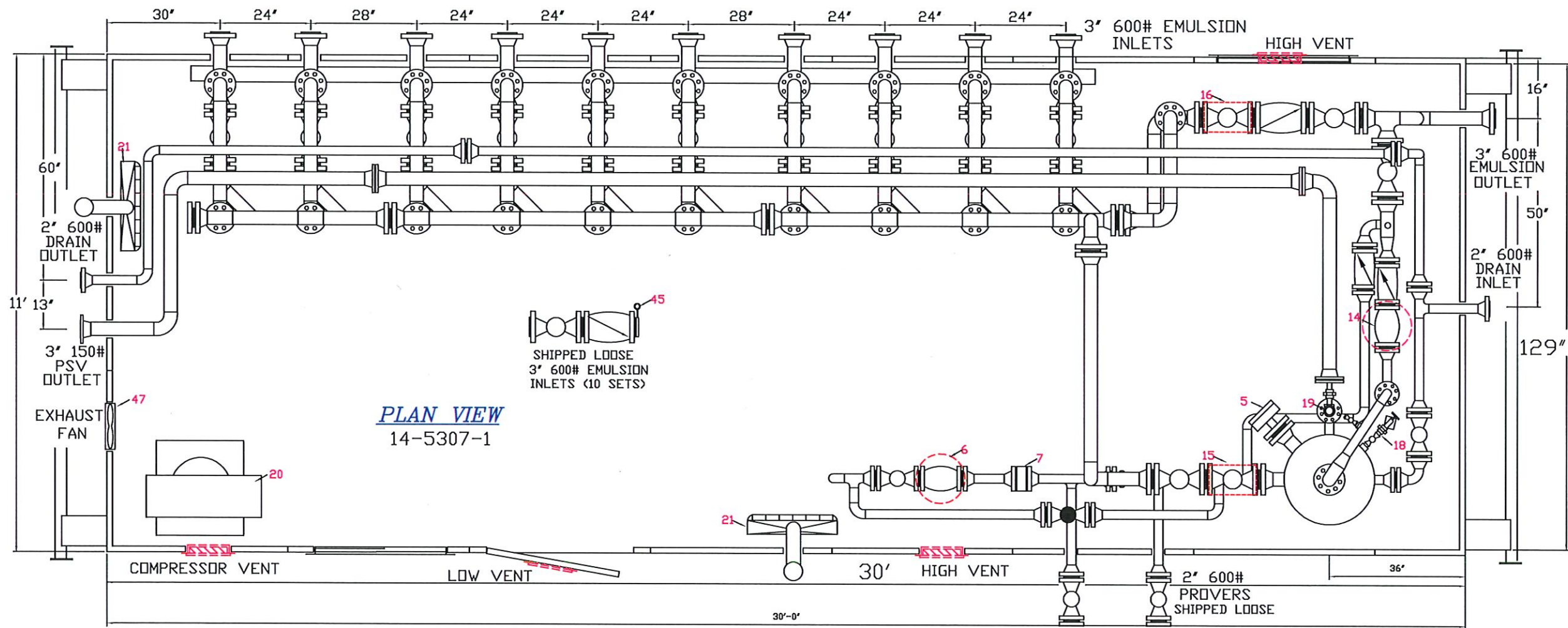
TAG #	ITEM	QTY	DESCRIPTION
V-100	1	1	RJV 24"x10' S/S 600# 1440 PSI 3-PHASE, VERTICAL MISTEX SEPARATOR, 1/8" CA, 10% RADIOGRAPHY, INSPECTED BY ABSA
FE-101	2	1	NUFLD 2" 600 ANSI 1440 PSI SCH 80 . AGA 2000 VERSION, BETA .70, FLOW CONDITIONER CPA, 1-3/4", 2-1/2" 3000# TOL, SENIOR, (54' O/A).
MVT-101	3	1	RUSEMOUNT 3095FB MODEL 3095FB3AB4C6 MULTIVARIABLE TRANSMITTER, DIFFERENTIAL PRESSURE RANGE 0-10 TO 0-1000 IN H2O, (0-25 mbar to 0-2.5 mbar) c/w PANAM 5-VALVE CARBON STEEL MANIFOLD.
TE-101	4	1	AIRCUM 3-WIRE, 100 OHMS ASSEMBLY, 0-450 C RANGE, c/w 2-1/2" SST THERMOWELL
TW-101	5	1	FISHER 2" NPT SERIES L2 LIQUID LEVEL CONTROL, STANDARD, CS BODY, SNAP ACTING, c/w 1-7/8" x 12" PVC DISPLACER.
LC-102	6	1	FISHER 2" 600# SERIES D3 CONTROL VALVE, STD. 17-4 PH SST HARDENED TRIM, 1" PORT SIZE, 0-35 PSIG SIGNAL (ATD) FAIED CLOSED
LV-102	7	1	NUFLD 2" 600# WAFER STYLE TURBINE, 2" BORE x 2" TURBINE METER, 316 SST METER BODY, STD. SERVICE, MAGNETIC PICK-UP, 4-400 GPM.
FE-102	8	1	NUFLD MODEL MC-111 PLUS FLOW TOTALIZER c/w 3.6 BATTERY, LOCAL DISPLAY PROGRAMMING VIA KEY PAD, PRE-AMP OUTPUT 4-20 mA,
FQI-102	9	3	ROSEMOUNT SCALABLE PRESSURE TRANSMITTER, MODEL 3051S2TG4A, 14.2 TO 300 PSIG, (-0.98 TO 20.7 bar) RANGE, 1/2" FNPT.
PIT-100/101	10	1	SDR 2" NPT. MODEL 1540CM PNEUMATIC LEVEL SWITCH, CARBON STEEL BODY, 316 SST FLOAT, STD. SERVICE.
UV-100	11	1	CVS 1/4" NPT MDD# 4057 3-WAY SWITCHING VALVE, STANDARD SERVICE, MANUAL RESET,
XY-100	12	1	ASCO 1/4" NPT SOLENOID VALVE, MODEL EF8314G301, 24 VDC, 3-WAY STAINLESS BODY, EXPLOSION PROOF, 60 PSI MAX. PRESSURE.
PY-101	13	1	FISHER TYPE 12P I/P TRANSDUCER, 4-20 mA INPUT SIGNAL, 35 PSIG, SUPPLY SIGNAL, 6-30 psi OUTPUT SIGNAL, NATURAL GAS SERVICE.
PV-101	14	1	FISHER 2" 600# RFF TYPE 667-D-45 PRESSURE CONTROL VALVE, 1" TRIM, "D-BODY", S17-4H/1150/NIT 50 TRIM, STD. SERVICE, SIZE 45, ACTUATOR, FAIL CLOSED, AIR TO OPEN, MAX. SHUT IN PRESS. 1440 PSIG
XV-100	15	1	CVS C-160SR07 ACTUATORS c/w 3" 600# RP.-RFF. STD. JAG BALL VALVES, FAIL CLOSED, SUPPLY 40 PSI.
XV-101	16	1	CVS C-190SR06 ACTUATORS c/w 3" 600# RP.-RFF. STD. JAG BALL VALVES, FAIL OPEN, SUPPLY 40 PSI,
QR-100	17	1	REXROTH QUICK EXHAUST VALVE, 1/4" NPT., DIAPHRAGM OPERATED.
LG-100/101	18	2	PENBURTHY MODEL ITMS TRANSPARENT GAUGE GLASS, STANDARD c/w 330J GAUGE COCKS & 1/2" DRAIN BALL VALVE
PSV-100	19	1	TAYLOR 1"x1" NPT MODEL T-8200-1 STANDARD SERVICE, CARBON STEEL BODY, SET @ 1440 PSIG., TYPE E-DRIFICE, 0.212 SG IN/5181 SCFM.
C-190	20	1	SAYLOR-BEALL PNEUMATIC COMPRESSOR MOD. 5-HP, 240 VOLT, 3-PHASE TECO EXP. PROOF MOTOR, 80 US GALLON VERTICAL AIR RECEIVER, 60Hz/1800 rpm, DESIGN PRESS. 200 PSI., CAPACITY DRYER 13 SCFM,
H-160/161	21	2	SAYLOR BEALL 705 DUAL CYLINDER TWO STAGE AIR COMP. PUMP, c/w CACTUS COALESCING MEMBRANE DRYER & PREFILTER ASSEMBLY.
TI-100	22	1	CATADYNE BX24X24 20,000 BTU, 120V-AC, PROPANE HEATER c/w STANDS, SSOV, REGULATORS, 25 FT CABLES, THERMOSTAT, GRILL, VENT HOOD & ELECTRICAL AS PER CEC REGULATIONS.
PI-103-113	23	13	TREND MODEL 33 3" DIAL, 4" STEM, -40/120F DUAL c/w 3/4" x 4" 304 SST THERMOWELL ON VESSEL
PI-101/102	24	2	WIKA #23354, 4" DIAL, 0-1500 PSI, 1/2" BOTTOM CONN., LIQUID FILLED, DS, c/w PANAM 1/2" 316 SST ISOLATION/BLEED VALVES
PRV-100/101	25	2	WIKA 2 1/2" DIAL 1/4" NPT BOTTOM CONN. #23353 LIQUID FILLED, DS, 0/60 PSI./0-200 PSI. ON PRV 102
PRV-102	26	1	FISHER 1/4" NPT TYPE 67CFR-362/SPEC STANDARD SERVICE, 5-35 PSI. SPRING RANGE SET @ 30 PSIG., TAPPED BONNET.
ASHH-101	27	1	FISHER 1/4" NPT TYPE 67CFR-601/SPEC STANDARD SERVICE, 0-125 PSI. SPRING RANGE SET @ 40 PSIG., TAPPED BONNET.
AIT-101	28	1	MILLENNIUM COMBUSTIBLE GAS DETECTOR, MODEL#MLP-A-SC1100-SEP BLUE STROBE MODEL S225XST012024R c/w CALIBRATION CAP
	29	2	KILLARK 150W/120V MH FIXTURE, MODEL EZPI56X2G5UI03
	30	1	KILLARK 70W/120V MH FIXTURE, MODEL VM3076B2GLGNRAS
	31	10	PBV 1/2" NPT 2000 PSI STANDARD SERVICE, 316 TRIM, BALL VALVE
	32	4	PBV 3/4" NPT 2000 PSI STANDARD SERVICE, 316 TRIM, BALL VALVE
	33	1	PBV 1" NPT 2000 PSI STANDARD SERVICE, 316 TRIM, BALL VALVE
	34	3	PANAM 1/4" NPT 6000 PSI CARBON STEEL NEEDLE VALVES
	35	3	PANAM 1/2" NPT 6000 PSI CS MULTIPOINT c/w BLEED NEEDLE VALVES
	36	2	SWAGELDK 1/2" NPT 2000 PSI FULL PORT BALL VALVE ON METER RUN.
	37	1	ALBERTA STRAINER 2" 600# RFF 1480 WP., FIG#YS800
	38	1	DSI 2" 600# ANSI RF. GLOBE VALVE, STANDARD TRIM.
	39	8	PBV 2" 600# ANSI RF. REG. PORT FIG#T3-F20R06-S STANDARD SERVICE
	40	14	PBV 3" 600# ANSI RF. REG. PORT FIG# T3-R30R06-S STD. SERVICE
	41	20	PBV 3" 600# ANSI RF. FULL PORT FIG# T3-R30R06-S STD. SERVICE
	42	2	PBV 2" 600# RF FIG#2S-50ST-14-F, SWING STYLE CHECK VALVE
	43	11	PBV 3" 600# RF FIG#3S-50ST-14-F, SWING STYLE CHECK VALVE
	44	2	WELKER GAS SAMPLE QUILL SP-6, c/w 1/2" ISOLATION NEEDLE VALVE
	45	10	3" 600# ANSI PADDLE TYPE SPEC. BLIND
	46	10	3"x3"x3" SCH. 40 Y-LATERAL RATED FOR 9930 KPA.
EF-200	47	1	CAN-ARM EXPLOSION PROOF 12"x12" EXHAUST FAN, 120 VOLT, SINGLE PHASE, WIRED BY OTHERS, 1/2 HP. TUBING & FITTINGS- 3/8" .035 316 SST, 1/2" .049 SWAGELDK 316 STAINLESS STEEL SKID- RJV 11"x32' c/w 8'@31 WF (RUNNERS & CROSS BEAMS), 6"@15 WF (VESSEL SUPPORTS), 6"@8.2 CHANNEL IRON (CROSS BEAMS), 3/16" CHECKER PLATE (FLOORING), 3" SCH. 80 PIPE (PULL BARS) @ BOTH ENDS, 3" FR URETHANE FOAM UNDERSKID INSULATION BUILDING-11' WIDE x 30' LONG x 10'x9'-6" SHED STYLE ROOF RJV 1-1/2' URETHANE INJECTED PANEL STYLE 30 GAUGE WHITE PREPAINTED INTERIOR AND EXTERIOR, R12 INSULATION VALUE, DOOR- 3'x7' STEEL PREPAINTED WHITE, DOG DOOR, PANIC HARDWARE, c/w LOCKING CYL. DOOR HOLDER VENTS- 4-12"x12" INSULATED ALUMINUM LOUVERED VENTS, WINDOWS- 2- 36"x36" DG SLIDERS @ SCREENS FLANGES- SA-105N 600# SCH 80 - 2', SCH. 40-3' WELD FITTINGS- SA-234-WPB SCH 80 & 40 SCREWED FITTINGS- SA-105N 3000# FS OLETS- SA-105N 3000# FS ALL FLANGES/PIPE OUTSIDE-A 350 LF2/A333, ALL LOW TEMP. PIPE & NIPPLES- SA-106 GR B SEAMLESS THREADED/PIPE/NIPPLES/SWAGES- 150#- SCH 80 & 600#- SCH 160 BOLTING- ASTM A193 B7 STUDS/ A194 2H NUTS GASKETS- 316 SST GRAPHITE FILLED FLEXITALLIC ALL WELDED PIPING SHALL BE SUBJECTED TO 10% RADIOGRAPHY ALL WELDED PIPING AND EQUIPMENT SHALL BE HYDROTESTED. TO 1.5 TIMES DESIGN PRESSURE. 600# ANSI- 2,160 PSIG. ALL VENTING CONTROLS TO BE VENTED ALL CONTROLS TO BE OPERATIONALLY AIR TESTED. ALL METAL SURFACES TO BE SANDBLASTED TO SSPC-SP-6, 1 COAT OF GREY PRIMER SKIDS, EQUIPMENT & PIPING- SILVER GREY 1 FINISH COAT OF ENAMEL PAINT AS FOLLOWS CHECKERED PLATE FLOORING- SILVER GREY



**PLAN VIEW**  
14-5307-1

SHIPPED LOOSE  
3" 600# EMULSION  
INLETS (10 SETS)

2" 600#  
PROVERS  
SHIPPED LOOSE

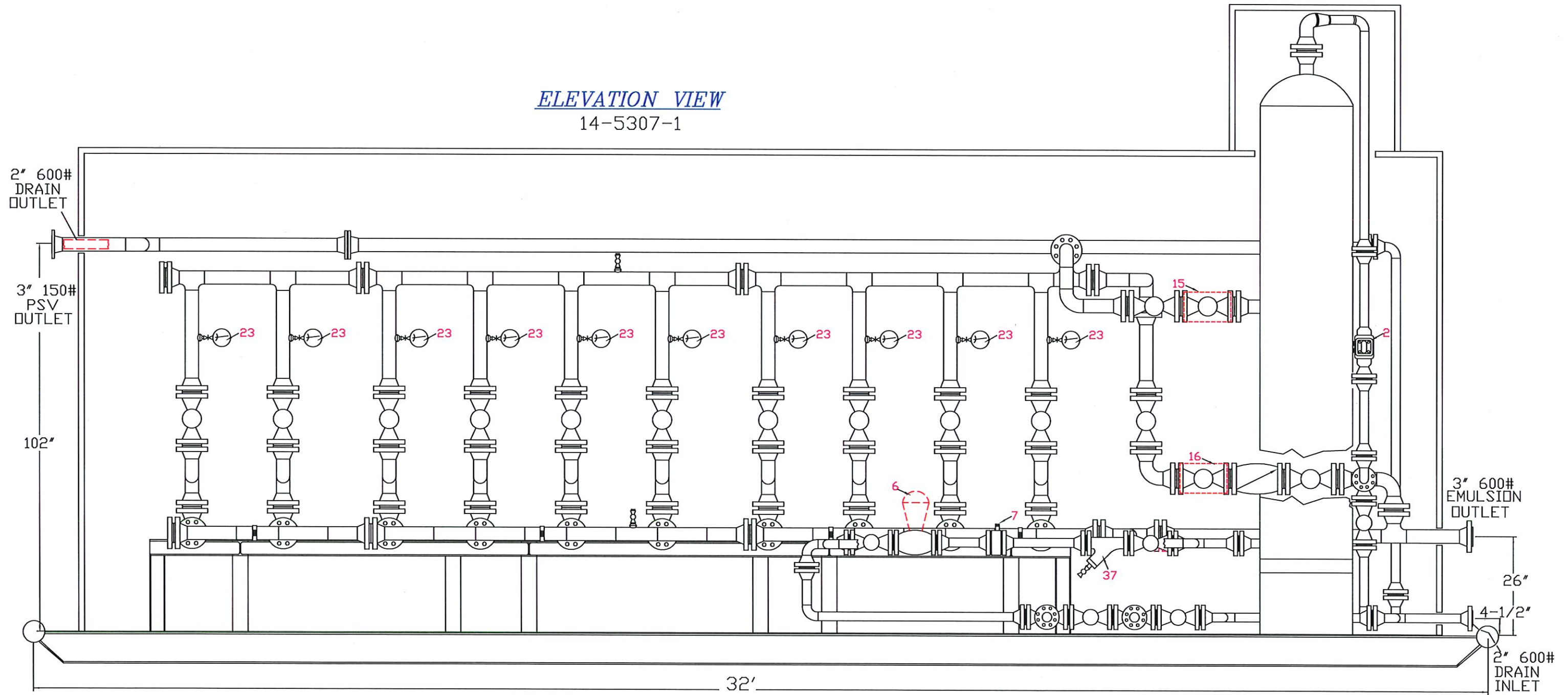


**PLAN VIEW**  
14-5307-1

SHIPPED LOOSE  
3" 600# EMULSION  
INLETS (10 SETS)

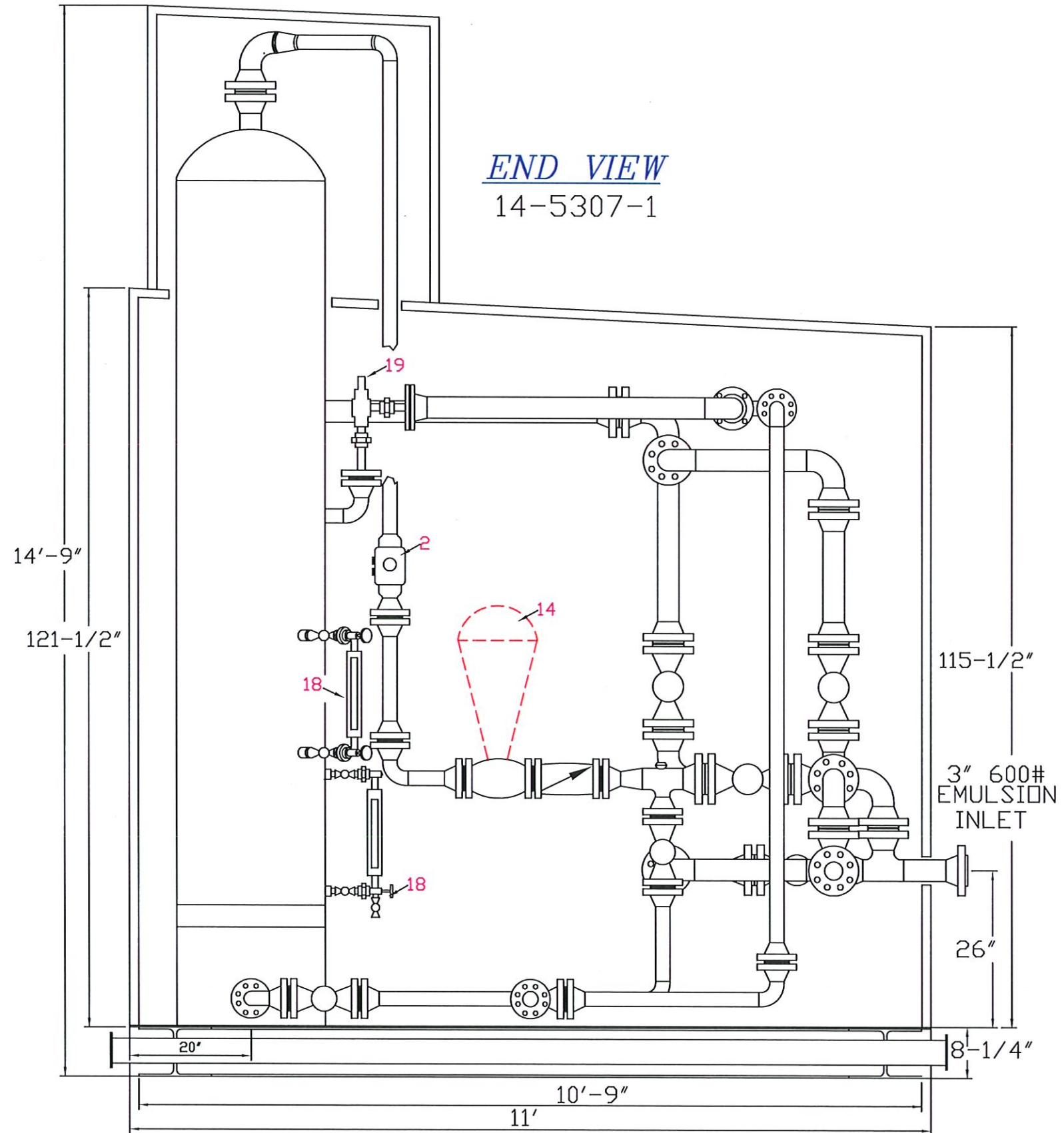
2" 600#  
PROVERS  
SHIPPED LOOSE

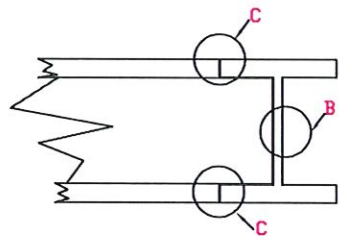
ELEVATION VIEW  
14-5307-1



END VIEW

14-5307-1





### PREQUALIFIED JOINTS

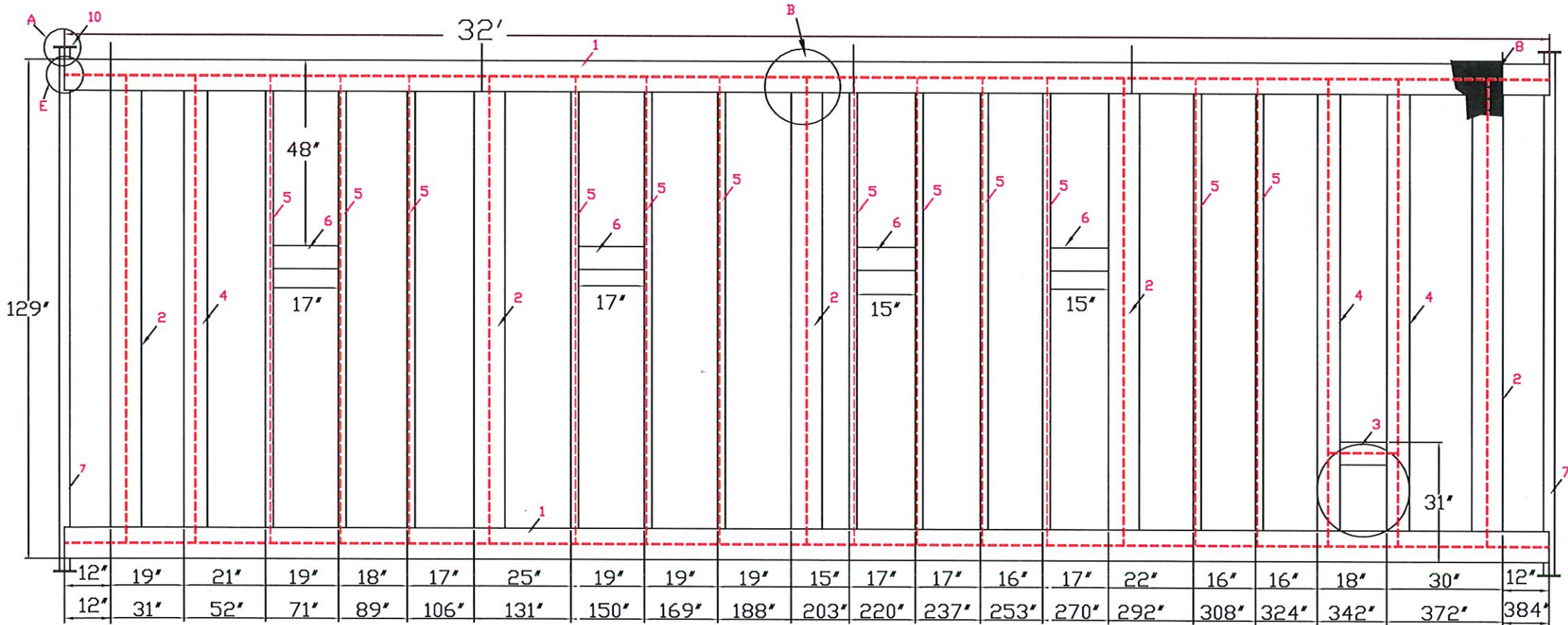
JOINT	PREQUALIFIED JOINT NUMBER	ID NUMBER	JOINT TYPE
A	W59-10.1.3.3	FILLET	TEE, CORNER, LAP
B	TC-U4a-FC	F4-3	TEE, CORNER
C	B-U4a-FC	F1-2	BUTT
D	BTC-P4-FC	F4-1P	TEE, CORNER, BUTT
E	B-P11a	F11-1P	BUTT

### GENERAL NOTES:

1. PRIMARY DIMENSIONING IN IMPERIAL UNITS
2. ALL WELDING AND FABRICATION TO BE PERFORMED TO CSA W59-13
3. WELD SIZES AND PROFILES SHALL BE IN ACCORDANCE, WITH CSA W59-13
4. ALL WELDING WILL BE DONE WITH E7018-1 ELECTRODES OR EQUIVALENT FLUX CORE.
5. WELD SIZES SHALL BE MINIMUM OF 1/4" FILLET ALL AROUND.
6. ALL WELDING SHALL BE UNDER THE CARE AND CONTROL OF A, JOURNEYMAN WELDER.
7. CHECKER PLATE WELDING 5" STITCH EVERY 12", INTERMITTENT
8. 2" THICK POLY-URETHANE FOAM UNDERSKID INSULATION.

### BILL OF MATERIALS

ITEM	QTY	DESCRIPTION	MATERIAL	WT.
1	2	W8 @ 31 X 32' LG	G40.21-44W	1984
2	5	W8 @ 31 X 120-1/2' LG.	G40.21-44W	1550
3	1	W6 @ 15 X 17-1/2' LG.	G40.21-44W	22
4	3	W6 @ 15 X 120-1/2' LG.	G40.21-44W	450
5	12	6 @ 8.2 CHANNEL 120-1/2' LG.	G40.21-44W	987
6	2	6 @ 8.2 CHANNEL 17-1/2 PC.-15' LG.	G40.21-44W	44
7	2	PIPE 3-1/2" DRILL STEM 138' LG	SA-106-B	215
8	3	8'x11'x3/16" CHECKER PLATE	G40.21-44W	2023
9	1	6'x11'x3/16" CHECKER PLATE	G40.21-44W	505
10	4	PLATE 1/4" X 6" DIA	G40.21-44W	8



#### WARNING!

THIS DRAWING AND THE DESIGN IT COVERS ARE CONFIDENTIAL AND SHALL NOT BE DISCLOSED TO OTHERS OR REPRODUCED IN ANY MANNER OR USED FOR ANY PURPOSE WHATSOEVER EXCEPT BY WRITTEN CONSENT OF RJV GASFIELD SERVICE LTD.

#### ISSUED FOR CONSTRUCTION

#	DATE

#### DRAFTING

DWN BY	STEVE IFTODY
DATE	OCT. 22/2014
SCALE	
CHK'D BY	
APP'D BY	

#### TITLE:

SKID DRAWING FOR JOB #14-5307-1

DWG. # 14-5307

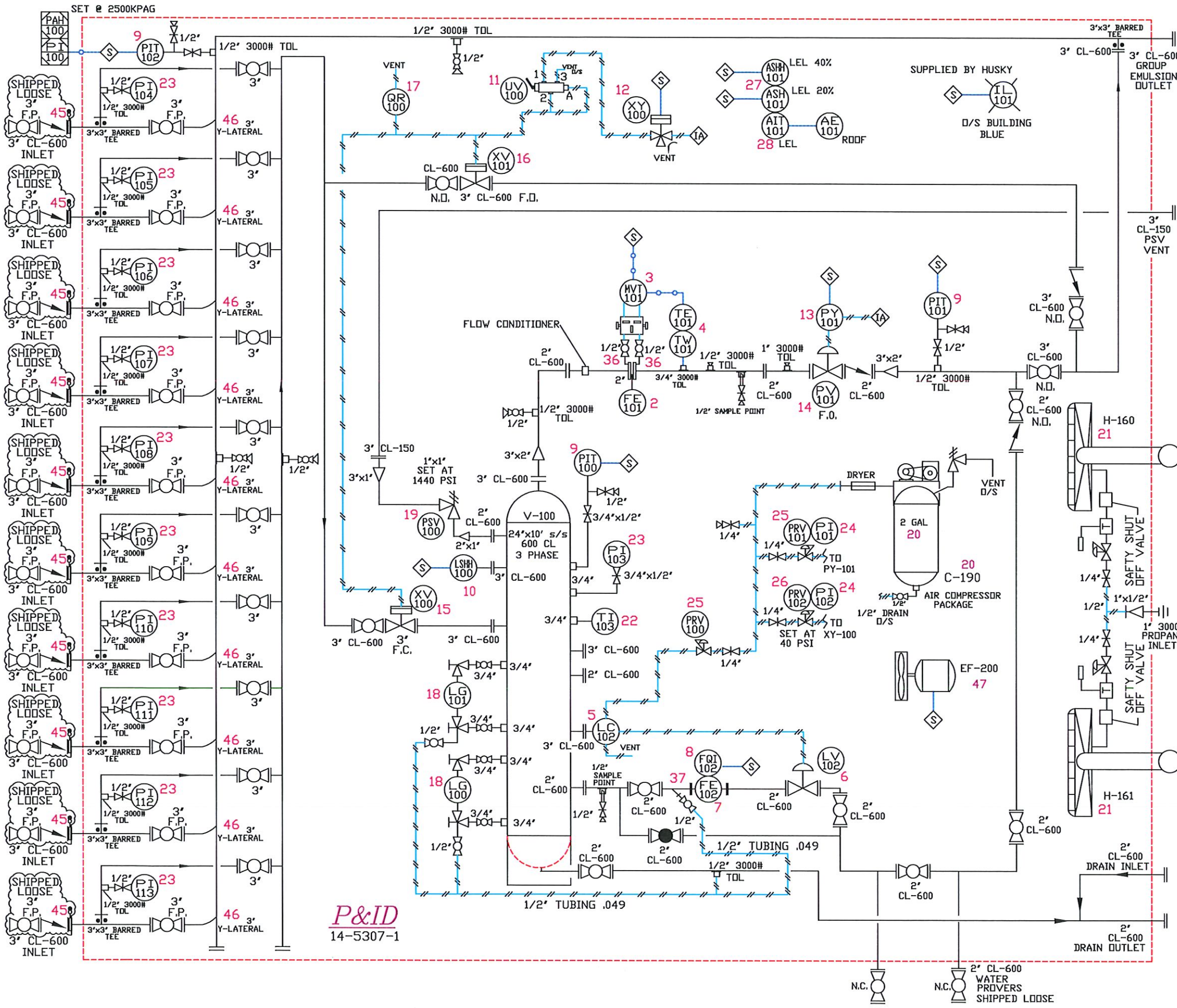
REV. # 0

SHEET 1 OF 1



#### GASFIELD SERVICES

4901 - BRUCE RD. VEGREVILLE, ALTA.  
T9C 1C3  
PHONE (780) 632-7774



**P&ID**  
14-5307-1

TE-101	4	1	DIFFERENTIAL PRESSURE RANGE 0-10 TO 0-1000 IN H <sub>2</sub> O, 0-25 mbar TO 0-25 mbar) c/w PANAM 5-VALVE CARBON STEEL MANIFOLD.
LC-102	5	1	AIRCOM 3-WIRE, 100 OHMS ASSEMBLY, 0-450 C RANGE, c/w 2-1/2" SST THERMOWELL
LV-102	6	1	FISHER 2" NPT SERIES L2 LIQUID LEVEL CONTROL, STANDARD, CS BODY, SNAP ACTING, c/w 1-7/8" x 12" PVC DISPLACER.
FE-102	7	1	FISHER 2" 600# SERIES T3 CONTROL VALVE, STD. 17-4 PH SST HARDENED TRIM, 1" PORT SIZE, 0-35 PSIG SIGNAL (ATD) FAIED CLOSED
FQI-102	8	1	NUFO 2" 600# VAVER STYLE TURBINE, 2" BORE x 2" TURBINE METER, 316 SST METER BODY, STD. SERVICE, MAGNETIC PICK-UP, 4-400 GPM.
PIT-100/101	9	3	NUFO MODEL MC-111 PLUS FLOW TOTALIZER c/w 3.6 BATTERY, LOCAL DISPLAY PROGRAMMING VIA KEY PAD, PRE-AMP OUTPUT 4-20 mA
LSH-100	10	1	ROSEMOUNT SCALABLE PRESSURE TRANSMITTER, MODEL 3051S2TG4A, 14 TO 300 PSIG, C-09B TO 207 (bar) RANGE, 1/2" FNPT.
UV-100	11	1	KIRKAY 2" NPT MODEL 2000 ELECTRIC LEVEL SWITCH, MANUAL TEST BUTTON, CARBON STEEL BODY, 316 SST FLAT, STD. SERVICE.
XY-100	12	1	AMOT 1/4" NPT MODB 4057 3-WAY SWITCHING VALVE, STANDARD SERVICE, MANUAL RESET.
PY-101	13	1	ASCO 1/4" NPT SOLENOID VALVE, MODEL EF8314G301, 24 VDC, 3-WAY BODY, STAINLESS STEEL, EXPLOSION PROOF, 60 PSI MAX. PRESSURE.
PV-101	14	1	FISHER TYPE 12P 1/2" TRANSDUCER, 4-20 MA INPUT SIGNAL, 35 PSIG, SUPPLY SIGNAL, 6-30 PSI OUTPUT SIGNAL, NATURAL GAS SERVICE.
XV-100	15	1	FISHER 2" 600# RFF TYPE 667-D-45 PRESSURE CONTROL VALVE, 1" TRIM, "D"-BODY, S17-4H/1150/NIT 50 TRIM, STD. SERVICE, SIZE 45, ACTUATOR, FAIL TO SHUT IN PRESS. 1440 PSI.
XV-101	16	1	CVS C-160SR07 ACTUATORS c/w 3" 600# RP-RFF, STD. JAG BALL VALVES, FAIL CLOSED, SUPPLY 40 PSI.
QR-100	17	1	CVS C-190SR06 ACTUATORS c/w 3" 600# RP-RFF, STD. JAG BALL VALVES, FAIL OPEN, SUPPLY 40 PSI.
LG-100/101	18	2	REXROTH QUICK EXHAUST VALVE, 1/4" NPT., DIAPHRAGM OPERATED, PENBURTHY MODEL ITHS TRANSPARENT GAUGE, GLASS, STANDARD c/w 300 I GAUGE COCKS & 1/2" DRAIN BALL VALVE.
PSV-100	19	1	TAYLOR 1"x1" NPT MODEL T-8200-1 STANDARD SERVICE, CARBON STEEL BODY, SET @ 1440 PSIG, TYPE E-DRIFICE, 0.212 SG DN/3181 SCFM.
C-190	20	1	SAYLOR-BEALL PNEUMATIC COMPRESSOR MOD. 5-HP, 240 VOLT, 3-PHASE TECO EXP. PROOF MOTOR, 80 US GALLON VERTICAL AIR RECEIVER, 60HZ/1800 rpm, DESIGN PRESS. 200 PSI, CAPACITY DRYER 13 SCFM, SAYLOR BEALL 705 1/2" STAGE AIR COMP. PUMP, MODEL V9076R2GLGARAS c/w CACTUS COALESCING MEMBRANE DRYER & PREFILTER ASSEMBLY.
H-160/161	21	2	CATADYNE BX24X24 20,000 BTU, 120V-AC, PROPANE HEATER c/w STANDS, SSOV, REGULATORS, 25 FT CABLES, THERMOSTAT, GRILL, VENT HOOD & ELECTRICAL AS PER CEC REGULATIONS.
TI-100	22	1	TREND MODEL 33 3" DIA., 4" STEM, 40/100" DIA. c/w 3/4" x 4" 304 SS THERMOWELL DN VESSEL
PI-103-113	23	13	WIKA #23354, 4" DIA., 0-1500 PSI, 1/2" BOTTOM CONN., LIQUID FILLED DS, c/w PANAM 1/2" 316 SST ISOLATION/BLEED VALVES
PI-101/102	24	2	WIKA 2 1/2" DIA., 1/4" NPT BOTTOM CONN. #23353 LIQUID FILLED, DS, 0/60 PSI, 0-200 PSI, DN PRV 102
PRV-100/101	25	2	FISHER 1/4" NPT TYPE 67CFR-352/SPEC STANDARD SERVICE, 5-35 PSI. SPRING RANGE SET @ 80 PSIG, TAPPED BONNET.
PRV-102	26	1	FISHER 1/4" NPT TYPE 67CFR-601/SPEC STANDARD SERVICE, 0-125 PSI. SPRING RANGE SET @ 40 PSIG, TAPPED BONNET.
ASHH-101	27	1	MILLENNIUM COMBUSTIBLE GAS DETECTOR, MODEL MHP-A-SCH100-SEP
AIT-101	28	1	BLUE STROBE MODEL S225X1012024R c/w CALIBRATION CAP
	29	1	KILLARK 150V/120V MH FIXTURE, MODEL EZP156K2G5SU03
	30	1	KILLARK 150V/120V MH FIXTURE, MODEL V9076R2GLGARAS
	31	1	PBV 1/2" NPT 2000 PSI STANDARD SERVICE, 316 TRIM, BALL VALVE
	32	4	PBV 3/4" NPT 2000 PSI STANDARD SERVICE, 316 TRIM, BALL VALVE
	33	1	PBV 1" NPT 2000 PSI STANDARD SERVICE, 316 TRIM, BALL VALVE
	34	3	PANAM 1/4" NPT 6000 PSI CARBON STEEL NEEDLE VALVES
	35	3	PANAM 1/2" NPT 6000 PSI CS MULTIPORT c/w BLEED NEEDLE VALVES
	36	2	SWAGelok 1/2" NPT 2000 PSI PORT BALL VALVE DN METER RUN.
	37	1	ALBERTA STRAINER 2" 600# RFF 1480 WP, FIG#YS600
	38	1	DSI 2" 600# ANSI RF, GLOBE VALVE, STANDARD TRIM.
	39	0	PBV 2" 600# ANSI RF, REG. PORT FIG#T3-F20R06-S STANDARD SERVICE
	40	14	PBV 3" 600# ANSI RF, REG. PORT FIG# T3-R30R06-S STD. SERVICE
	41	20	PANAM 1/2" NPT 6000 PSI FULL PORT FIG# T3-R30R06-S STD. SERVICE
	42	2	PBV 2" 600# ANSI RF, FULL PORT FIG# T3-R30R06-S STD. SERVICE
	43	2	PBV 3" 600# ANSI RF, FULL PORT FIG# T3-R30R06-S STD. SERVICE
	44	11	PBV 3" 600# RFF FIG#35-S05T-14-F, SWING STYLE CHECK VALVE
	45	10	WELKER GAS SAMPLE QULL SP-6, c/w 1/2" ISOLATION NEEDLE VALVE
	46	10	3" 600# ANSI PADDLE TYPE SPEC. BLIND
EF-200	47	1	3"x3"x3" SCH. 40 Y-LATERAL RATED FOR 9930 KPA. CANADIAN EXPLOSION PROOF 120V/120V EXHAUST FAN, 120 VOLT, SINGLE PHASE, WIRED BY OTHERS, 1/2 HP. TUBING & FITTINGS- 3/8" #35 316 SST, 1/2" #49 SWAGelok 316 STAINLESS STEEL SKID- RJV 11"x32" c/w #831 WF (RUNNERS & CROSS BEAMS), 6"x15 WF (VESSEL SUPPORTS), 6"x82 CHANNEL IRON (CROSS BEAMS), 3/16" CHECKER PLATE (FLOORING), 3" SCH. 80 PIPE (PULL BARS) @ BOTH ENDS, 3" INSULATED ALUMINUM COVERED VENTS, BUILDING-11' WIDE x 30' LONG x 10'x9'-6" SHED STYLE ROOF RJV 1-1/2" URETHANE INJECTED PANEL STYLE 30 GAUGE WHITE PREPAINTED INTERIOR AND EXTERIOR, R12 INSULATION VALVE, DOOR- 3"x7" STEEL PREPAINTED WHITE, DOG DOOR, PANIC HARDWARE, c/w LOCKING CYL. DOOR HOLDER VENTS- 2-12"x12" INSULATED ALUMINUM COVERED VENTS, WINDOWS- 2- 36"x36" DG SLIDERS @ SCREENS FLANGES- SA-105N 600# SCH 80 - 2", SCH. 40-3" WELD FITTINGS- SA-234-WPB SCH 80 & 40 SCREWED FITTINGS- SA-105N 3000# FS DLTS- SA-105N 3000# FS ALL FLANGES/PIPE OUTSIDE-A 350 LFB/A333, ALL LOW TEMP. PIPE & NIPPLES 316 SEAMLESS THREADED PIPE/NIPPLES SWAGelok SCH 80 & 600#- SCH 160 BOLTING- ASTM A193 B7 STUDS/ A194 2H NUTS GASKETS- 316 SST GRAPHITE FILLED FLEXITALLIC ALL WELDED PIPING SHALL BE SUBJECTED TO 10% RADIOGRAPHY ALL WELDED PIPING AND EQUIPMENT SHALL BE HYDROTESTED. TO 15 TIMES DESIGN PRESSURE, 600# ANSI- 2,160 PSIG. ALL VENTING CONTROLS TO BE VENTED. ALL CONTROL SURFACES TO BE VENTED. ALL METAL SURFACES TO BE SANDBLASTED TO SSPC-SP-6, 1 COAT OF GREY PRIMER SKIDS, EQUIPMENT & PIPING- SILVER GREY 1 FINISH COAT OF ENAMEL PAINT AS FOLLOWS CHECKERED PLATE FLOORING- SILVER GREY

**GAS FIELD SERVICES**  
4901 BRUCE RD VEGREVILLE, ALTA  
T9C-1C3  
PHONE (780) 632-7774  
FAX (780) 632-6820

TITLE: <b>HUSKY OIL OPERATIONS LIMITED</b>	
24" x 10' s/s 3-PHASE, 600# ANSI, STD. SERVICE, 10 WELL HEADER, SATELLITE/TEST SEPARATOR FACILITIES.	
DWG. #	5307-1
REV. #	
DATE	
DESCRIPTION	RJV JOB# 14-5307
<b>WARNING!</b>	
This drawing and the design it covers are confidential and shall not be disclosed to others or reproduced in any manner, or used for any purpose whatsoever, except with written consent of R J V Gas Field Services Ltd.	
Dwn By:	SI
Date:	AUG. 15/14
Scale:	N.T.S.

TOTAL WIDTH- 11'-9" TOTAL LENGTH- 32' TOTAL HEIGHT- 14'-4" APPROX. WEIGHT- 19,500 LBS