

### V-110 SUCTION SCRUBBER

Manufacturer: PENFABCO LTD.  
Size: 30" x 72" S/S  
Rated: 285psi @ 100°F  
1/8" CA

### V-140 INLET GAS FILTER

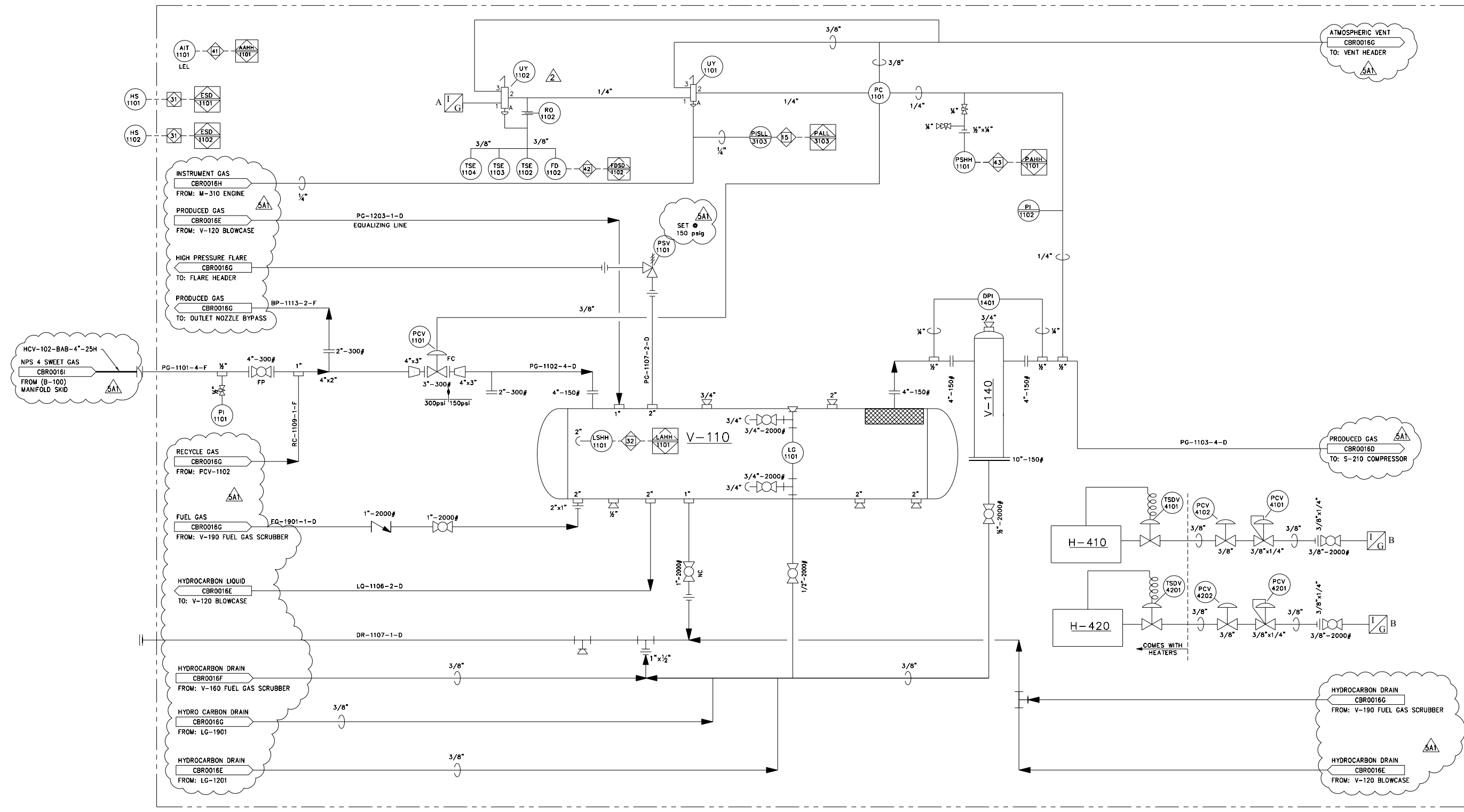
Manufacturer: JIRO  
Size: 10" x 34 5/16" S/S  
Rated: 200psi @ 100°F  
COALESCING  
1/8" CA

### H-410 NATURAL GAS HEATER

Manufacturer: CIS-CAN  
Size: 12" x 24"  
8,000 btu/hr  
12 Volt Start  
Protection Grill

### H-420 NATURAL GAS HEATER

Manufacturer: CIS-CAN  
Size: 24" x 24"  
16,000 btu/hr  
12 Volt Start  
Protection Grill



REFERENCE DRAWINGS	DWG. NO.	NO.	DATE	PROJECT DESCRIPTION	PROJ.	AFE	EPCM Co.	EPCM No.	APPD.	ISSUE STAGE	DATE	BY	CHKD.	APPD.	PERMIT STAMP	ENGINEER'S STAMP
		0	2006-08-08	ISSUED FOR CONSTRUCTION	-	-	JRO	90370	SE	Prelim SA1	2013-06-12	RF	-	-		
		1	2006-10-12	AS-BUILT	-	-	JRO	90370	SE	Bid (B)	-	-	-	-		
		2	2007-01-18	REVISED FOR SC-1702-C1	-	-	JRO	90370	ASR	Constr. (C)	-	-	-	-		
		3	2007-02-07	AS-BUILT FOR SC-1702-C1	-	-	JRO	90370	ASR	As-built (D)	-	-	-	-		
		4	2012-01-09	CUTBANK RIDGE COMPRESSOR INSTALLATION	-	-	KEYWEST	EC62-03	-	-	-	-	-	-		
		5	2013-06-12	b-74-H MANIFOLD SKID AND BOOSTER COMPRESSOR INSTALLATION	-	-	KEYWEST	EC62-006	-	-	-	-	-	-		

**CAUTION : READ BEFORE EXCAVATION**  
ALL EXCAVATIONS MUST BE CARRIED OUT AS PER "ENCANA'S GROUND DISTURBANCE PRACTICE"

MAIN FAC: COMP. STN. A-38-1  
DRAW LSO: A-38-1/93-P-1  
FAC LSO: WELLSITE  
SITE LSO: VARIES  
SCALE: NTS (A1 Size) EPCM No: EC62-06

EPCM Co: KEYWEST PROJECTS LTD.  
TITLE: PIPING AND INSTRUMENTATION DIAGRAM  
WELLSITE b-74-H/93-P-1 & A-A74-B/93-P-1  
AREA: CUTBANK RIDGE CLASS: A FILE NO: CBR0016C

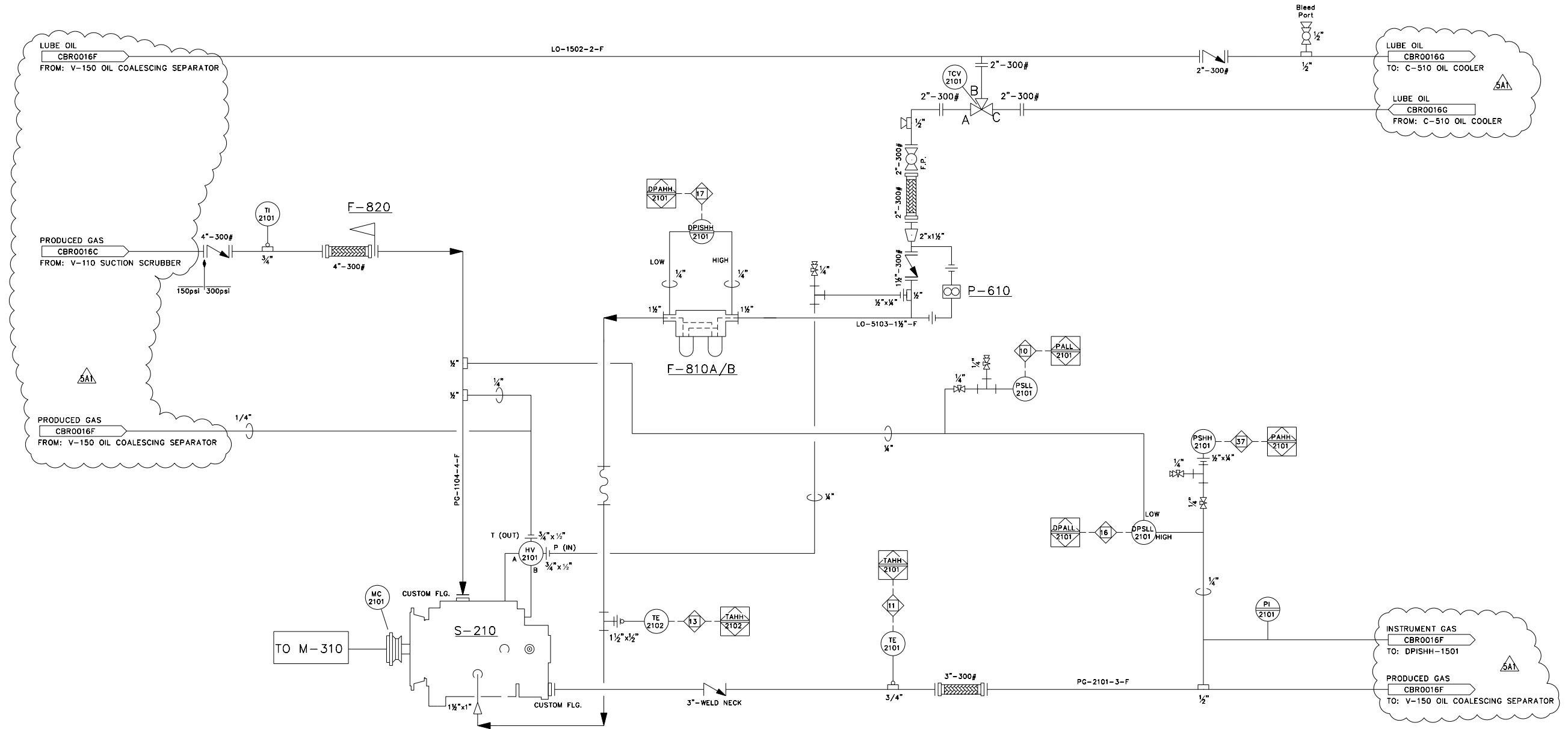
PERMIT STAMP AND PROFESSIONAL STAMP AFFIXED ABOVE SHALL APPLY ONLY TO REV(S) 5A1

**S-210**  
**SCREW COMPRESSOR**  
Manufacturer: GARDNER DENVER  
Model: SSPG-99D  
max. of 50psi SUCTION  
max. of 300psi DISCHARGE  
Adjustable VI  
BELL HOUSING MOUNTED

**F-820**  
**CONICAL STRAINER**  
Manufacturer: ALBERTA STRAINER  
Model: 4"-300#  
Type: STAINLESS STEEL  
40/40 TYPE MESH  
150% OPEN AREA

**F-810A/B**  
**OIL FILTERS**  
Manufacturer: DONALDSON  
Model: HMK25  
Max Working Press: 350psig @ 250°F  
Part: P169984  
Filter: P165569

**P-610**  
**LUBE OIL PUMP**  
c/w GARDNER DENVER SSP SCREW



NO.	DATE (YYYY-MM-DD)	PROJECT DESCRIPTION	PROJ.	AFE	EPCM Co.	EPCM No.	APPD.
0	2006-08-08	ISSUED FOR CONSTRUCTION	-	-	JRO	90370	SE
1	2006-10-12	AS-BUILT	-	-	JRO	90370	SE
2	2007-01-18	REVISED FOR SC-1702-C1	-	-	JRO	90370	ASR
3	2007-02-07	AS-BUILT FOR SC-1702-C1	-	-	JRO	90370	ASR
4	2012-01-09	CUTBANK RIDGE COMPRESSOR INSTALLATION	-	-	KEYWEST	EC62-03	-
5	2013-06-12	b-74-H MANIFOLD SKID AND BOOSTER COMPRESSOR INSTALLATION	-	-	KEYWEST	EC62-006	-

**CAUTION : READ BEFORE EXCAVATION**  
ALL EXCAVATIONS MUST BE CARRIED OUT AS PER "ENCANA'S GROUND DISTURBANCE PRACTICE"

REV. NUMBER	DATE (YYYY-MM-DD)	BY	CHKD.	APPD.
5A1	2013-06-12	RF	-	-

ISSUE STAGE	DATE (YYYY-MM-DD)	BY	CHKD.	APPD.
Prelim (5A1)	2013-06-12	RF	-	-
Bid (B)	-	-	-	-
Constr. (C)	-	-	-	-
As-built (D)	-	-	-	-

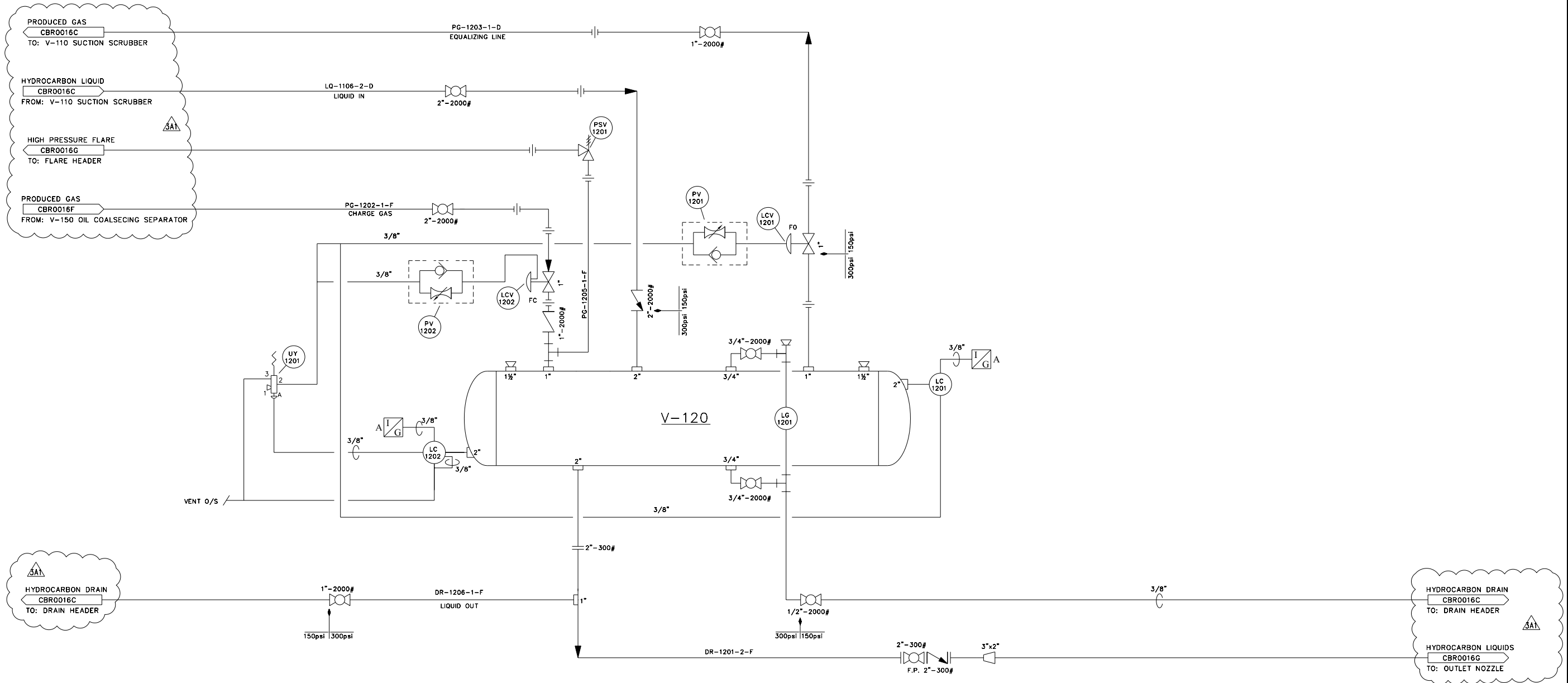
MAIN FAC:	COMP. STN. A-38-1
DRILL L.S.D.:	A-38-1/93-P-1
FAC TYPE:	WELLSITE
SITE L.S.D.:	VARIES
SCALE:	NTS (A1 Size)
EPCM No.:	EC62-06

**KEYWEST PROJECTS LTD.**

**TITLE**  
PIPING AND INSTRUMENTATION DIAGRAM  
WELLSITE b-74-H/93-P-1 & A-A74-B/93-P-1

**AREA** CUTBANK RIDGE     **CLASS** A     **FILE NO.** CBR0016D

V-120  
 BLOWCASE  
 Manufacturer: ENERFLEX-STETTLER  
 Size: 16" x 60" S/S  
 Rated: 669psi @ 230°F  
 No. of Cycles: 1,000,000  
 Differential Cycle: 0psi TO 300psi  
 1/8" CA



REFERENCE DRAWINGS	DWG. NO.

NO.	DATE (YYYY-MM-DD)	PROJECT DESCRIPTION	PROJ.	AFE	EPCM Co.	EPCM No.	APPD.
0	2007-01-16	ISSUED FOR CONSTRUCTION FOR SC-1702-C1	-	-	JRO	90370	ASR
1	2006-10-12	AS-BUILT	-	-	JRO	90370	-
2	2012-01-09	CUTBANK RIDGE COMPRESSOR INSTALLATION	-	-	KEYWEST	EC62-03	-
3	2013-06-12	b-74-H MANIFOLD SKID AND BOOSTER COMPRESSOR INSTALLATION	-	-	KEYWEST	EC062-006	-

ISSUE STAGE	DATE (YYYY-MM-DD)	BY	CHKD.	APPD.
Prelim (3A1)	2013-06-12	RF	-	-
Bid (B)	-	-	-	-
Constr. (C)	-	-	-	-
As-built (D)	-	-	-	-

PERMIT STAMP	ENGINEER'S STAMP

MAIN FAC.	COMP. STN. A-38-1
DRILL L.S.D.	A-38-1/93-P-1
FAC. TYPE	WELLSITE
SITE L.S.D.	VARIES
SCALE	NTS (A1 Size)
EPCM No.	EC62-06

EPCM Co. KEYWEST PROJECTS LTD.

TITLE PIPING AND INSTRUMENTATION DIAGRAM  
 WELLSITE b-74-H/93-P-1 & A-A74-B/93-P-1

AREA CUTBANK RIDGE CLASS A FILE NO. CBR0016E

**CAUTION : READ BEFORE EXCAVATION**  
 ALL EXCAVATIONS MUST BE CARRIED OUT AS PER "ENCANA'S GROUND DISTURBANCE PRACTICE"

PERMIT STAMP AND PROFESSIONAL STAMP AFFIXED ABOVE SHALL APPLY ONLY TO REV(S) 3A1

### V-160 FUEL GAS SCRUBBER

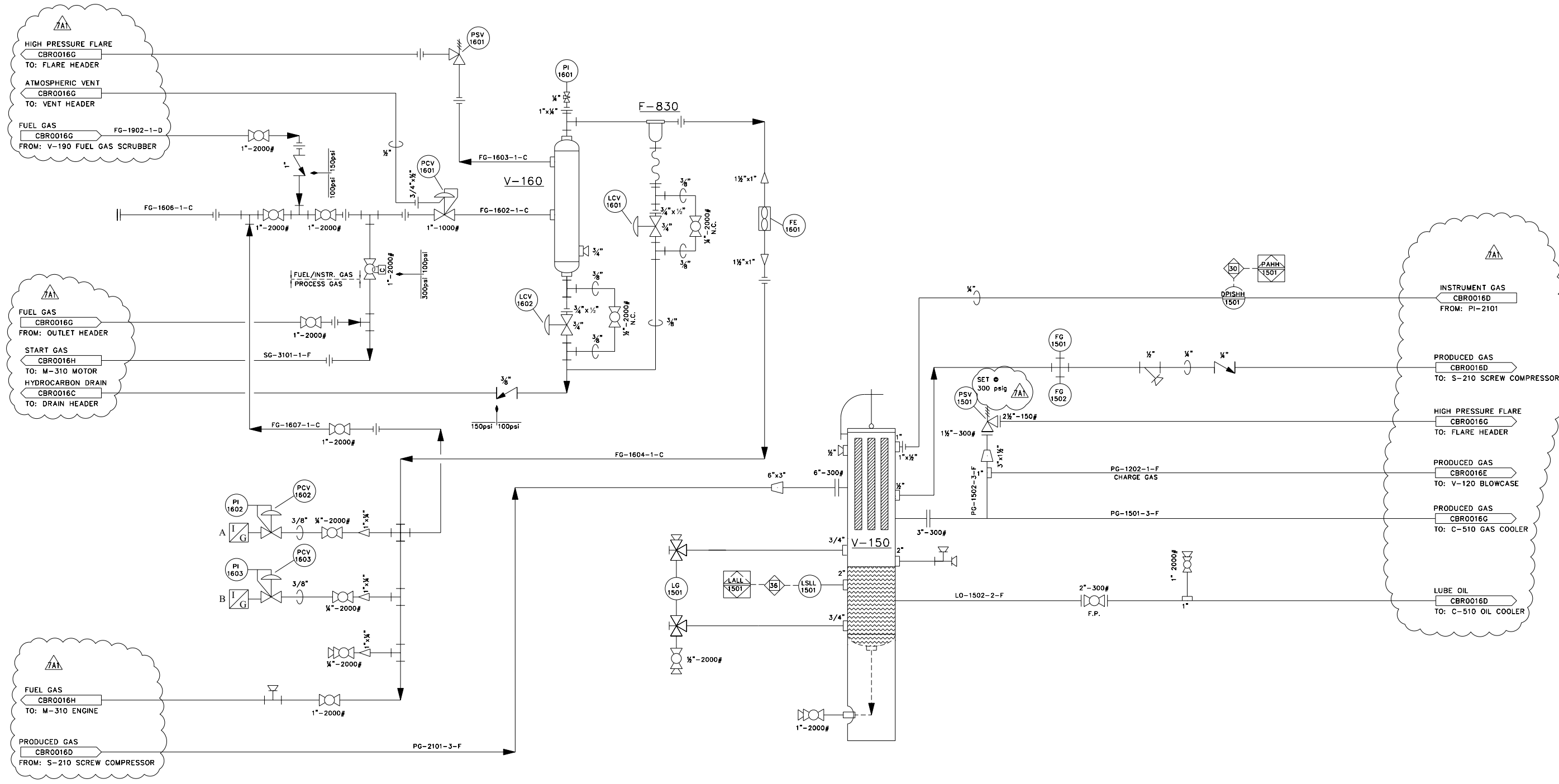
Manufacturer: ENERFLEX  
 Size: 4" x 36" S/S  
 Rated: 500psi @ 350°F  
 1/8" CA

### F-830 FUEL GAS FILTER

Manufacturer: SPX AIR TREATMENT  
 Model: 3154826  
 Flow: 100SCFM @ 100psi  
 Element: 3161232 (0.1 MICRON)  
 MAWP: 250psi @ 150°F

### V-150 OIL COALESCING SEPARATOR

Manufacturer: EFX COMPRESSION-CALGARY  
 Size: 24" x 56" S/S  
 Rated: 350psi @ 250°F  
 5-12" COALESCING ELEMENTS  
 1/8" CA



**CAUTION : READ BEFORE EXCAVATION**  
 ALL EXCAVATIONS MUST BE CARRIED OUT AS PER  
 "ENCANA'S GROUND DISTURBANCE PRACTICE"

NO.	DATE	PROJECT DESCRIPTION	PROJ.	AFE	EPCM Co.	EPCM No.	APPD.	ISSUE STAGE	DATE	BY	CHKD.	APPD.	PERMIT STAMP	ENGINEER'S STAMP
0	2006-08-08	ISSUED FOR CONSTRUCTION	-	-	JRO	90370	SE	Prelim (7A1)	2013-06-12	RF	-	-		
1	2006-10-12	AS-BUILT	-	-	JRO	90370	SE	Bid (B)	-	-	-	-		
2	2007-01-18	REVISED FOR SC-1702-C1	-	-	JRO	90370	ASR	Constr. (C)	-	-	-	-		
3	2007-02-07	AS-BUILT FOR SC-1702-C1	-	-	JRO	90370	ENG	As-built (D)	-	-	-	-		
4	2007-02-14	REVISED FOR SC-1724-C1 & SC-1729-C1	-	-	JRO	90370	ASR	-	-	-	-	-		
5	2007-02-22	AS-BUILT FOR SC-1724-C1 & SC-1729-C1	-	-	JRO	90370	ASR	-	-	-	-	-		
6	2012-01-09	CUTBANK RIDGE COMPRESSOR INSTALLATION	-	-	KEYWEST	EC02-03	-	-	-	-	-	-		
7	2013-06-12	b-74-H MANIFOLD SKID AND BOOSTER COMPRESSOR INSTALLATION	-	-	KEYWEST	EC062-006	-	-	-	-	-	-		

MAIN FAC: COMP. STN. A-38-1  
 DRAW. L.S.D.: A-38-1/93-P-1  
 FAC. TYPE: WELLSITE  
 SITE L.S.D.: VARIES  
 SCALE: NTS (A1 Size) EPCM No.: EC62-06

**KEYWEST PROJECTS LTD.**

TITLE: PIPING AND INSTRUMENTATION DIAGRAM  
 WELLSITE b-74-H/93-P-1 & A-A74-B/93-P-1

AREA: CUTBANK RIDGE CLASS: A FILE NO.: CBR0016F

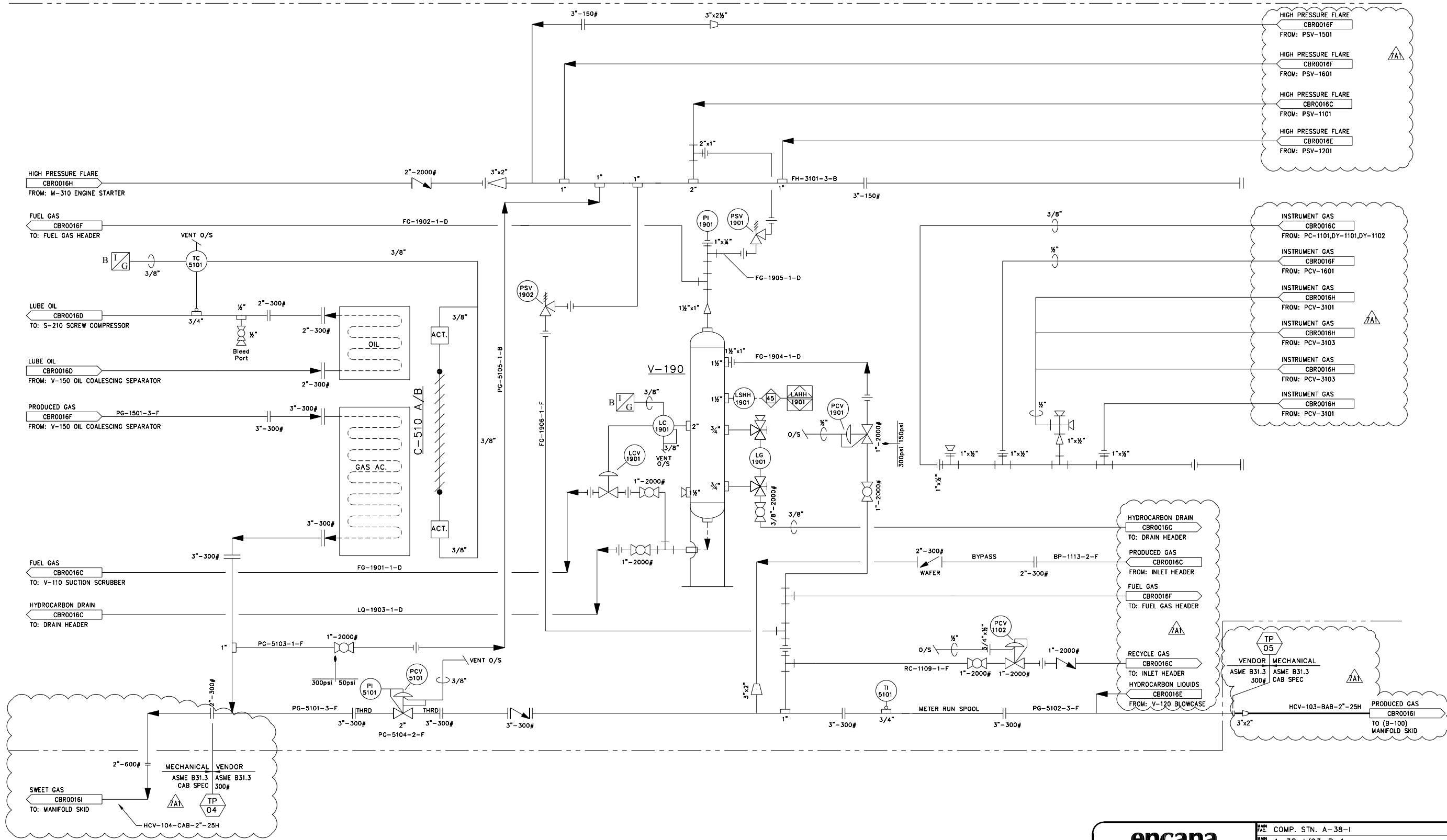
PERMIT STAMP AND PROFESSIONAL STAMP AFFIXED ABOVE SHALL APPLY ONLY TO REV(S) 7A1

### C-510 A/B OIL/GAS AFTER COOLER

Manufacturer: GLOBAL HEAT TRANSFER  
Model: GHTJ 2500/ SPLIT  
Gas Rated: 350psi @ 250°F  
Oil Rated: 370psi @ 250°F

### V-190 FUEL GAS SCRUBBER

Manufacturer: IMPACT INDUSTRIAL  
Size: 6-5/8"x43" S/S  
MAWP: 350psi @ 250°F  
1/8" CA



FILENAME: W:\VIC\ODMS-2013\07-JULY\07-29\VEWEST\EC02-01\CBR0016G.DWG

PLotted: 26/08/2013 11:19:21 AM BY: BEDREJO, RICARDO  
LAST SAVED: 2013-08-13 4:11:06 PM BY: RBEDREJO

**CAUTION : READ BEFORE EXCAVATION**  
ALL EXCAVATIONS MUST BE CARRIED OUT AS PER "ENCANA'S GROUND DISTURBANCE PRACTICE"

NO.	DATE (YYYY-MM-DD)	PROJECT DESCRIPTION	PROJ.	AFE	EPCM Co.	EPCM No.	APPD.	ISSUE STAGE	DATE (YYYY-MM-DD)	BY	CHKD.	APPD.	PERMIT STAMP	ENGINEER'S STAMP
0	2006-08-08	ISSUED FOR CONSTRUCTION	-	-	JRO	90370	SE	Prelim (7A1)	2013-06-12	RF	-	-		
1	2006-10-12	AS-BUILT	-	-	JRO	90370	SE	Bid (B)	-	-	-	-		
2	2007-01-18	REVISED FOR SC-1702-C1	-	-	JRO	90370	ASR	Constr. (C)	-	-	-	-		
3	2007-02-07	AS-BUILT FOR SC-1702-C1	-	-	JRO	90370	ENG	As-built (D)	-	-	-	-		
4	2007-02-14	REVISED FOR SC-1724-C1 & SC-1729-C1	-	-	JRO	90370	ASR	-	-	-	-	-		
5	2007-02-22	AS-BUILT FOR SC-1724-C1 & SC-1729-C1	-	-	JRO	90370	ASR	-	-	-	-	-		
6	2012-01-09	CUTBANK RIDGE COMPRESSOR INSTALLATION	-	-	KEYWEST	EC02-03	-	-	-	-	-	-		
7	2013-08-12	b-74-H MANIFOLD SKID AND BOOSTER COMPRESSOR INSTALLATION	-	-	KEYWEST	EC062-006	-	-	-	-	-	-		

MARK FAC: COMP. STN. A-38-1  
 DRAW L.S.D.: A-38-1/93-P-1  
 FAC L.S.D.: WELLSITE  
 SITE L.S.D.: VARIES  
 SCALE: NTS (A1 Size) EPCM No.: EC62-06

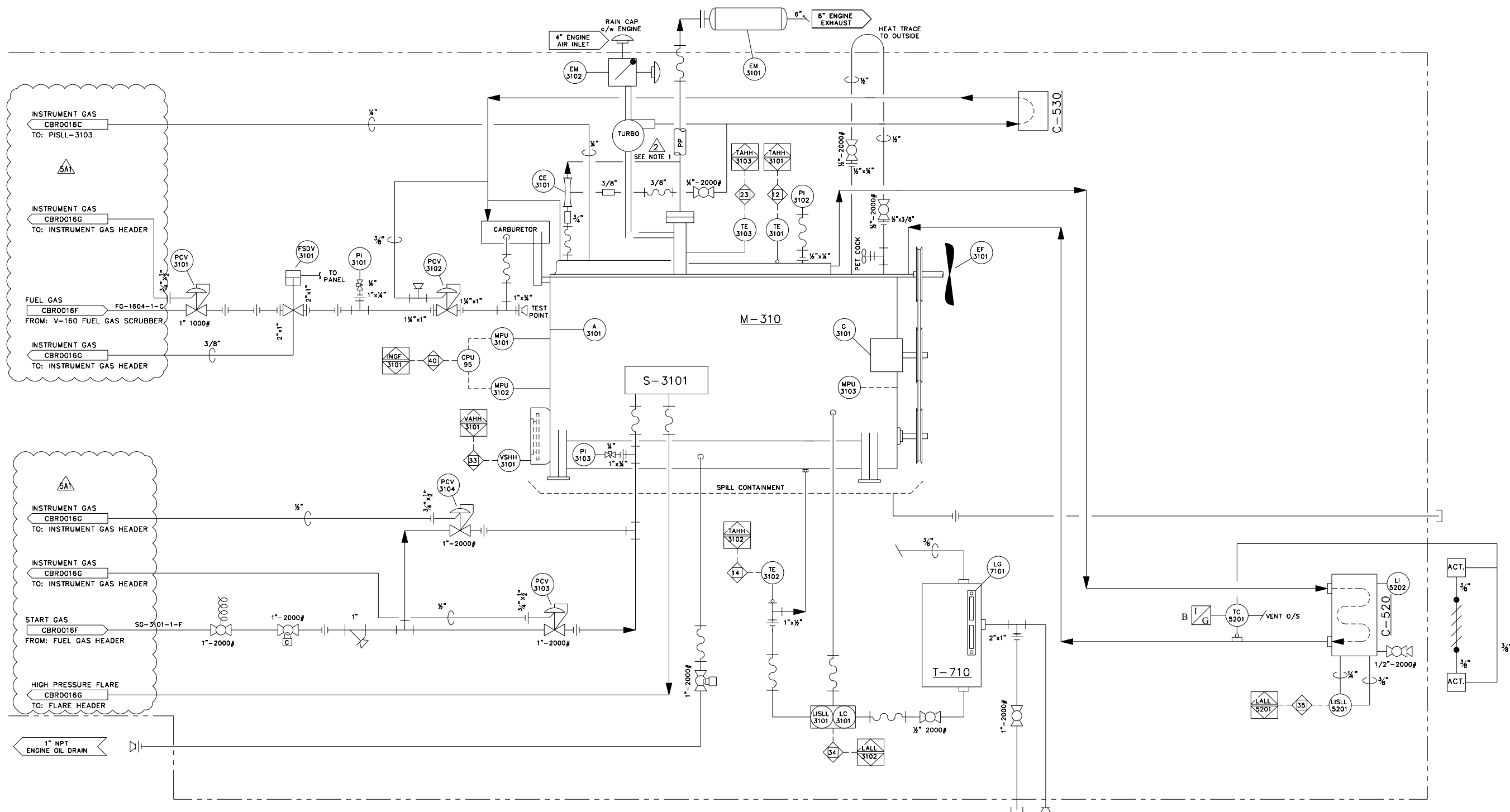
EPDM Co.: KEYWEST PROJECTS LTD.  
 TITLE: PIPING AND INSTRUMENTATION DIAGRAM  
 WELLSITE b-74-H/93-P-1 & A-A74-B/93-P-1  
 AREA: CUTBANK RIDGE CLASS: A FILE NO.: CBR0016G

**M-310**  
**NATURAL GAS ENGINE**  
 Manufacturer: CATERPILLAR  
 Model: G3306ATAAC  
 220hp / 180hp USABLE

**T-710**  
**ENGINE OIL DAY TANK**  
 Manufacturer: ENERFLEX  
 Size: 20gal  
 Part: OS-37

**C-520**  
**ENGINE WATER JACKET**  
 Manufacturer: GLOBAL HEAT TRANSFER  
 Model: JIRO 01

**C-530**  
**AIR to AIR COOLER**  
 Manufacturer: GLOBAL HEAT TRANSFER  
 ALUMINUM (ASTRO CORE)  
 Model: MAC011T



**CAUTION : READ BEFORE EXCAVATION**  
 ALL EXCAVATIONS MUST BE CARRIED OUT AS PER  
 "ENCANA'S GROUND DISTURBANCE PRACTICE"

NO.	DATE (YYYY-MM-DD)	PROJECT DESCRIPTION	PROJ.	AFE	EPCM Co.	EPCM No.	APPD.
0	2006-08-08	ISSUED FOR CONSTRUCTION	-	-	JRO	90370	SE
1	2006-10-12	AS-BUILT	-	-	JRO	90370	SE
2	2007-01-18	REVISED FOR SC-1702-C1	-	-	JRO	90370	ASR
3	2007-02-07	AS-BUILT FOR SC-1702-C1	-	-	JRO	90370	ASR
4	2012-01-09	CUTBANK RIDGE COMPRESSOR INSTALLATION	-	-	KEYWEST	EC02-03	-
5	2013-06-12	b-74-H MANIFOLD SKID AND BOOSTER COMPRESSOR INSTALLATION	-	-	KEYWEST	EC02-006	-

REV. NUMBER	DATE (YYYY-MM-DD)	BY	CHKD.	APPD.	PERMIT STAMP	ENGINEER'S STAMP
5A1	2013-06-12	RF	-	-		
Bid (B)	-	-	-	-		
Constr. (C)	-	-	-	-		
As-built (D)	-	-	-	-		

**encana.**  
*natural gas*

COMP. STN. A-38-1  
 A-38-1/93-P-1  
 WELLSITE  
 VARIES  
 NTS (A1 Size) EPCMC EC62-06

KEYWEST PROJECTS LTD.  
 PIPING AND INSTRUMENTATION DIAGRAM  
 WELLSITE b-74-H/93-P-1 & A-A74-B/93-P-1

CUTBANK RIDGE CLASS FILE NO. A CBR0016H