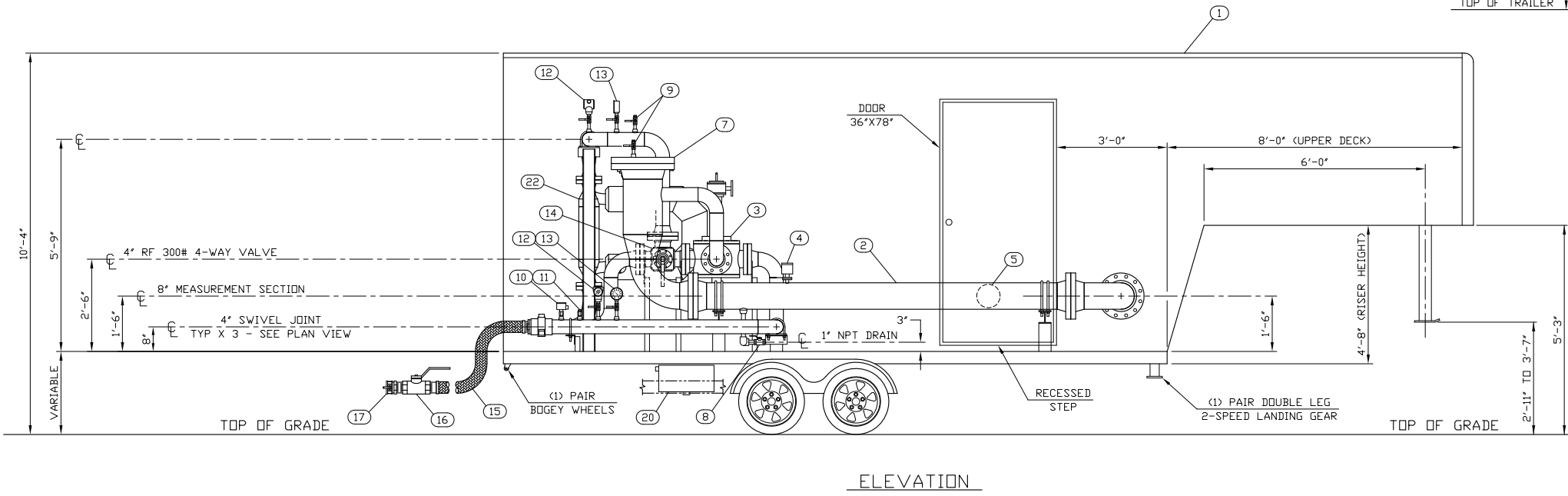
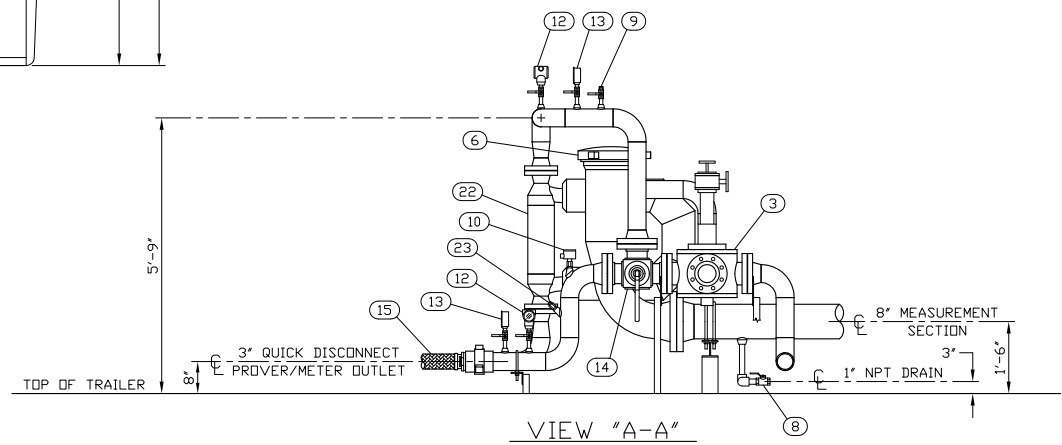
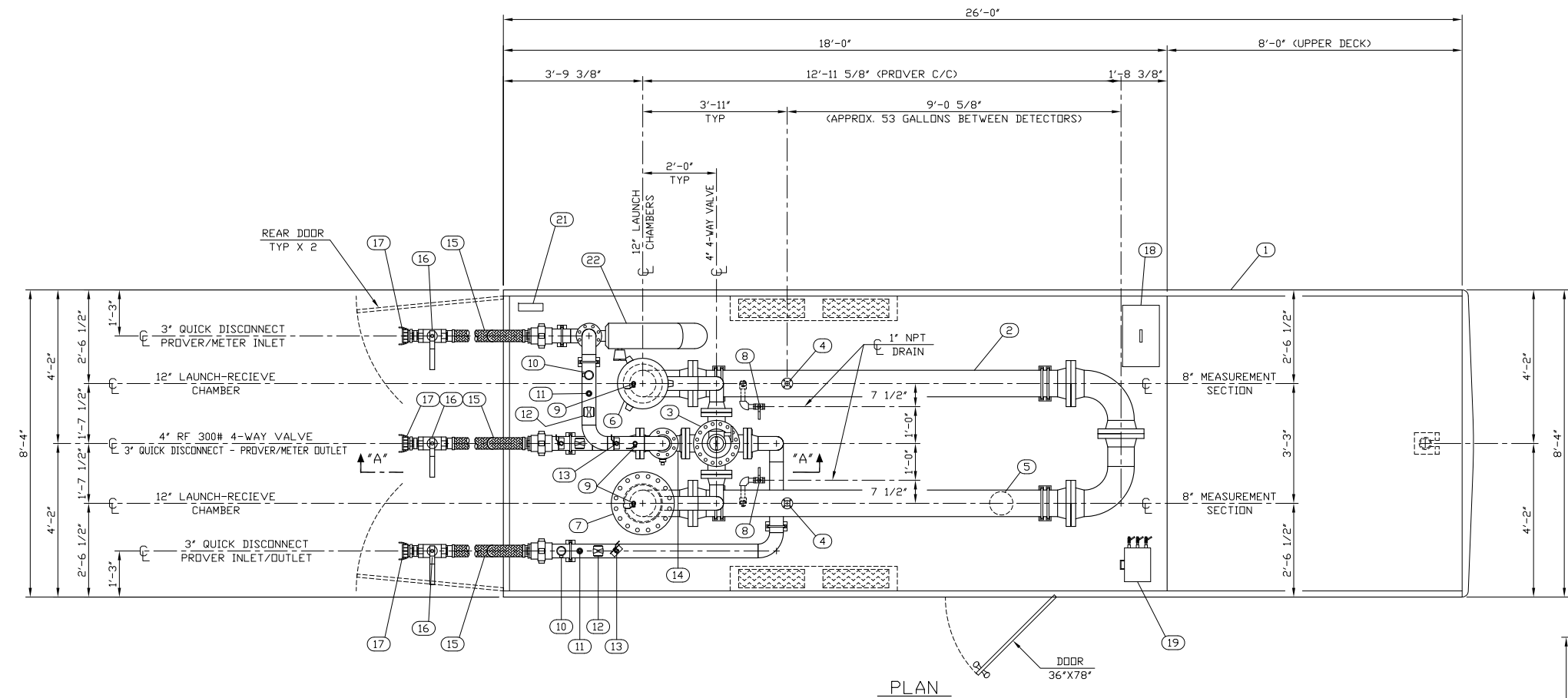


COMPONENT LIST		
ITEM	QTY	DESCRIPTION
1	1	TRAILER/GOOSENECK, STD. ENCLOSED 8'-0"W X 18'-0"
2	1	BI-DIRECTIONAL METER PROVER, 4'X8'X12'
3	1	4-WAY DIVERTER VALVE, 4" RF 300#
4	2	DETECTOR SWITCH
5	1	SPHERIOD, 8" POLYURETHANE INFLATABLE
6	1	QUICK CLOSURE, TUBE TURN, 12" 300# ANSI
7	1	12" RF 300# FLANGE W/BLIND
8	2	BALL VALVE, 1" NPT, DRAIN
9	3	BALL VALVE, 1/2" NPT, VENT
10	3	RTD W/SS THERMOWELL, 1/2" NPT
11	2	SS TEST THERMOWELL W/CAP & CHAIN, 1/2" NPT
12	3	PRESSURE TRANSMITTER, 1/2" NPT
13	3	PRESSURE GAUGE, 1/2" NPT
14	1	3-WAY VALVE, 4" RF 300#
15	3	CRUDE OIL LOADING HOSE, 3" NPT X 16'-0" LONG
16	3	BALL VALVE, 3" NPT
17	3	QUICK DISCONNECT, 3" NPT BRASS W/DUST CAP
18	1	BATTERY BOX
19	1	GRAVITOMETER BOX
20	1	SUMP BOX
21	1	GROUND CABLE W/CLAMP
22	1	METER/CORLIOLIS, 3" RF 300# W/TRANSMITTER
23	1	SS TEST THERMOWELL, LATROLET W/CAP & CHAIN, 1/2" NPT
24		
25		



NOTES:
 1.
 2.
 3.
 4.
 5.
 6.

REF. DWG. NO.	DESCRIPTION

THIS DRAWING IS THE PROPERTY OF ANGUS MEASUREMENT SERVICES. IN CONSIDERATION FOR THE USE OF THIS DRAWING, USER AGREES IT SHALL BE TREATED AS CONFIDENTIAL MATERIAL, THAT IT SHALL BE RETURNED UPON REQUEST AND ALL CONTENTS THEREOF SHALL NOT BE DISCLOSED, REPRODUCED, COPIED OR DISPERSED OF. IT SHALL BE USED ONLY FOR THE PURPOSE FOR WHICH IT IS FURNISHED OR FOR WHICH WRITTEN PERMISSION IS GRANTED.

REV	DATE	DESCRIPTION	BY	APP'D
0	7-18-13	ISSUED FOR APPROVAL	RCM	DHB
1	12-3-13	REVISED PER CUSTOMER REQUEST & RE-ISSUED FOR APPROVAL	RCM	DHB
2	1-17-14	REVISED PER CUSTOMER REQUEST & RE-ISSUED FOR APPROVAL	RCM	DHB



ANGUS
 MEASUREMENT SERVICES
 3800 NW LOOP 338
 ODESSA, TX 79764
 PH: (432) 332-7200
 www.angusmeasurement.com

CUSTOMER:			
SKY EYE MEASUREMENT, INC.			
P.O. NO.:	JOB NO.:		
SEM-25-BP1	6779		
DATE:	DRAWN BY:	CHECKED BY:	PROJ. MNGR.
7-18-13	RCM	DHB	WC

PROJECT TITLE:		
4'X8'X12" TRAILER MOUNTED BI-DIRECTIONAL METER PROVER ALBERTA, CANADA		
DRAWING NO.:	DRAWING SCALE:	REVISION:
D-6779-13-01	1/2"=1'-0"	2