



**POWER SOLUTIONS  
INTERNATIONAL**

---

# **5.7L ENGINE PARTS BOOK**

---

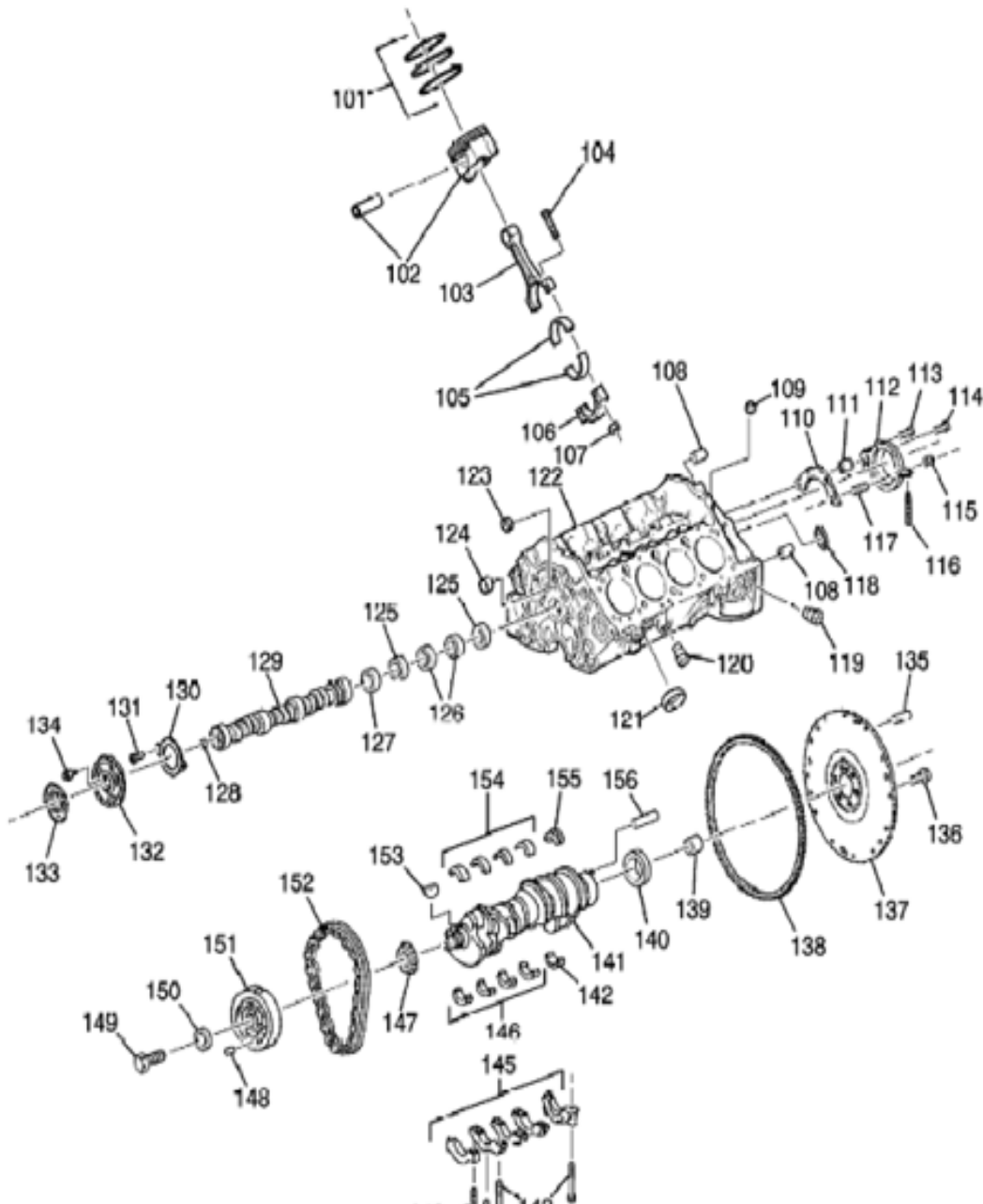
Engine Model: GM 5.7L  
Engine Family: PSI, Industrial  
Engine Spec N.: 39001064  
Parts Book Revision: June, 2015



## TABLE OF CONTENTS

SECTION	PAGE
CYLINDER BLOCK .....	3-5
CYLINDER HEAD.....	6-7
FRONT COVER .....	8
OIL PAN .....	9-10
DISTRIBUTOR.....	11-12
OIL COOLER.....	13
RADIATOR.....	14
FAN .....	15
BELT GUARD.....	16
CAC PIPING .....	17
TURBOCHARGER .....	18
FRONT MOUNT.....	19
FLYWHEEL ADAPTER .....	20
FLYWHEEL HOUSING.....	21
DRESS .....	22
OIL FILTER ADAPTER .....	23
TURBO OIL COOLER .....	24
ALTERNATOR.....	25
STARTER.....	26
IGNITION WIRES.....	27
ELECTRICAL.....	28
FUEL .....	29
EPR .....	30
THERMOSTAT .....	31
EXHAUST MANIFOLD .....	32
EXHAUST PIPES.....	33
INTAKE MANIFOLD .....	34
FREEZE PLUG ADAPTER.....	35
LIFT EYE.....	36
TURBO PULLEY .....	37

# CYLINDER BLOCK



**CYLINDER BLOCK CONT.**

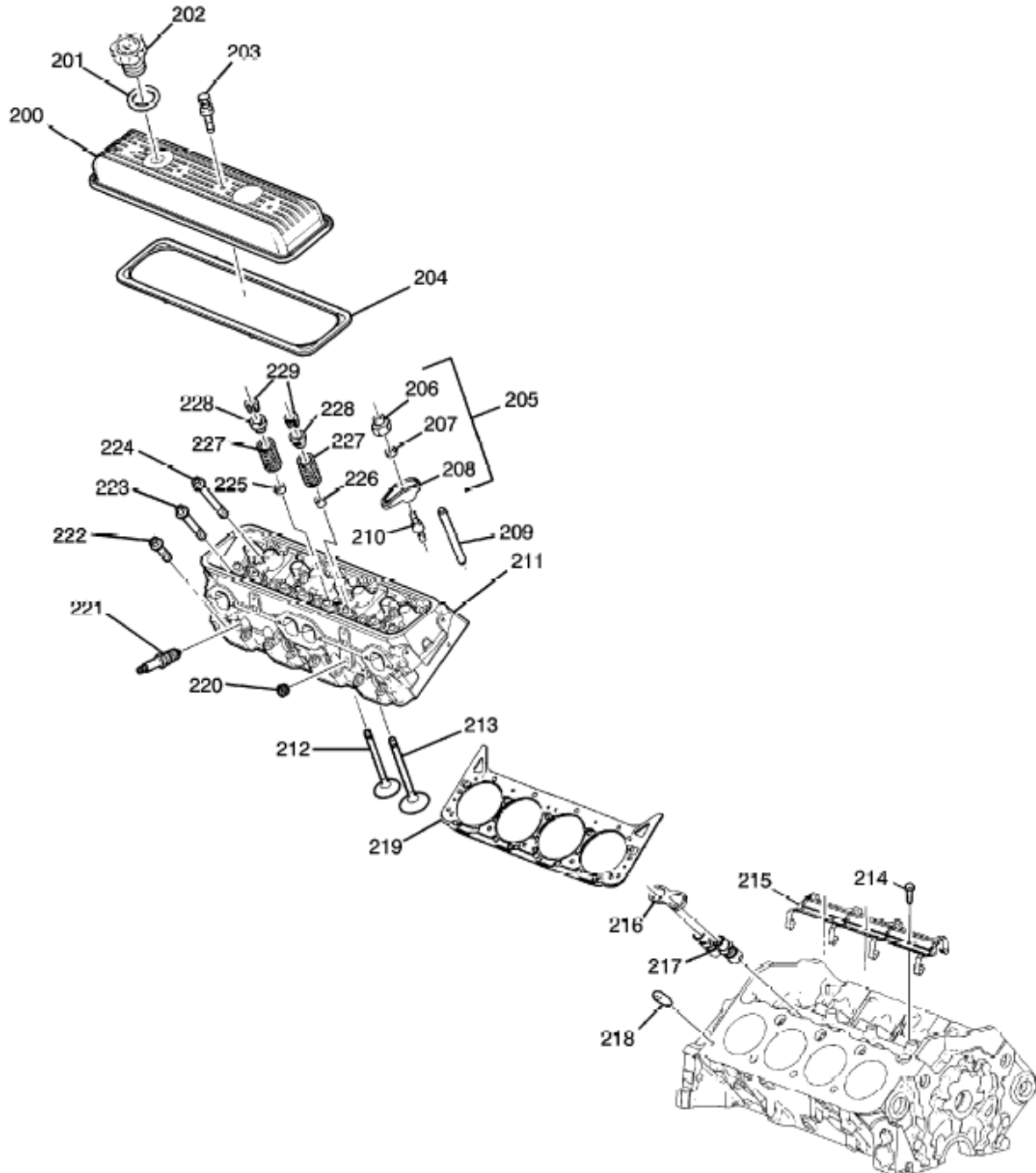
POS.	PART NUMBER	DESCRIPTION	QTY	NOTES
102	102635	PISTON	8	
103	102580	ROD	8	
105	107179	BEARING	8	
106	NSS	CAP		
107	102628	NUT	8	
108	102951	PIN	2	
110	101900	GASKET	1	
111	101908	PIN	1	
112	101902	SEAL	1	
113	101898	BOLT	2	
115	101907	NUT	2	
116	101928	STUD	2	
117	101927	STUD	1	
118	102579	EXPANSION PLUG	1	
119	103434	PLUG	2	
120	103434	PLUG	1	
121	101800	WATER PLUG	8	
123	103429	PLUG	1	
124	103442	PLUG	2	
125	102572	BEARING POS 2-5	2	
126	102571	BEARING POS 3-4	2	
127	102565	BEARING POS 1	1	
128	103030	PIN	1	
129	34000046	CAMSHAFT	1	
130	102544	RETAINER	1	
132	103000	SPROCKET	1	
133	104038	RING	1	
134	103020	BOLT	3	
135	NSS	WEIGHT		
136	30500327	BOLT	6	
137	30600005	FLYWHEEL	1	
138	30500017	GEAR	1	
139	102454	BEARING	1	
140	101912	SEAL	1	
141	102780	CRANKSHAFT	1	
142	NSS	BEARING		
143	NSS	BOLT	10	
144	101812	STUD	AR	
145	NSS	CAP		

SPEC N. : 39001064  
REV DATE. : 16JUN15

**CYLINDER BLOCK CONT.**

POS.	PART NUMBER	DESCRIPTION	QTY	NOTES
146	NSS	BEARING		
147	102980	SPROCKET	1	
148	102928	PIN	AR	
149	102848	BOLT	1	
150	107180	WASHER	1	
151	102457	BALANCER	1	
152	102963	CHAIN	1	
153	102857	KEY	2	
154	NSS	BEARING		
155	NSS	BEARING		
156	100026	PIN	1	
	NSS=	NOT SOLD SEPERATELY		
	**	IN SEPARATE KIT		

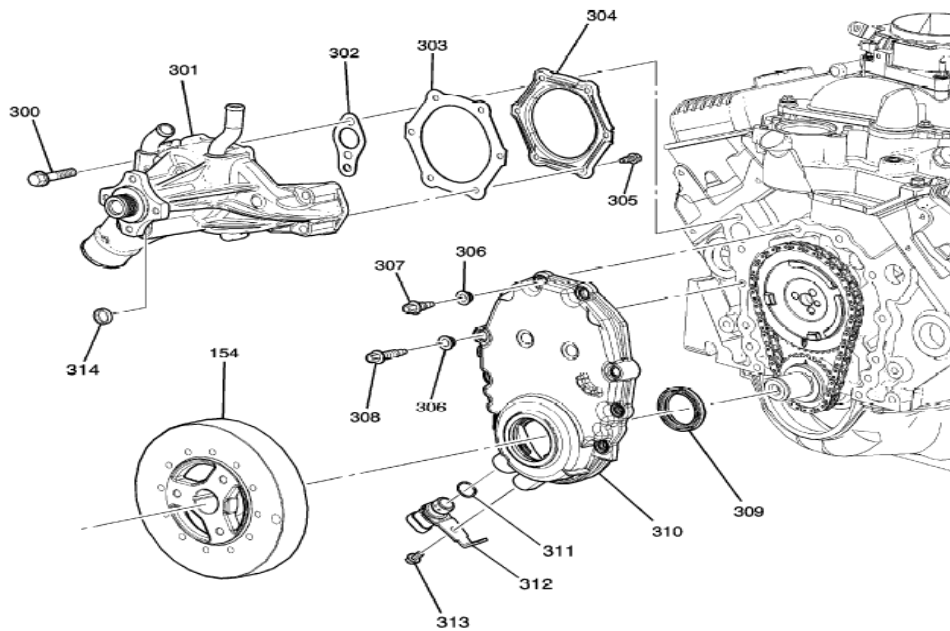
## CYLINDER HEAD



## CYLINDER HEAD CONT.

POS.	PART NUMBER	DESCRIPTION	QTY	NOTES
200	102354	COVER	1	
200	102351	COVER	1	
201	NSS	SEAL		
202	103632	CAP	1	
203	102364	BOLT	8	
204	102386	VALVE	2	
205	102310	KIT	16	
206	NSS	NUT		
207	NSS	BALL		
208	NSS	ARM		
209	100124	ROD	16	
210	102433	STUD	16	
211	38900756	HEAD HD (OPTIONAL)	2	
212	102210	EXHAUST VALVE	8	
213	102140	INTAKE VALVE	8	
214	NSS	BOLT		
215	102488	RETAINER	1	
216	102450	GUIDE	8	
217	102484	LIFTER	16	
218	102110	PIN	8	
219	102087	GASKET	2	
220	102115	PLUG	1	
221	33000562	SPARK PLUG	8	
222	102094	BOLT	16	
223	102101	BOLT	4	
224	102099	BOLT	14	
225	102262	SEAL	8	
226	10212810	SEAL	8	
227	107038	SPRING	16	
228	102284	CAP	16	
229	102304	KEY	32	
	NSS=	NOT SOLD SPERATELY		

**FRONT COVER**

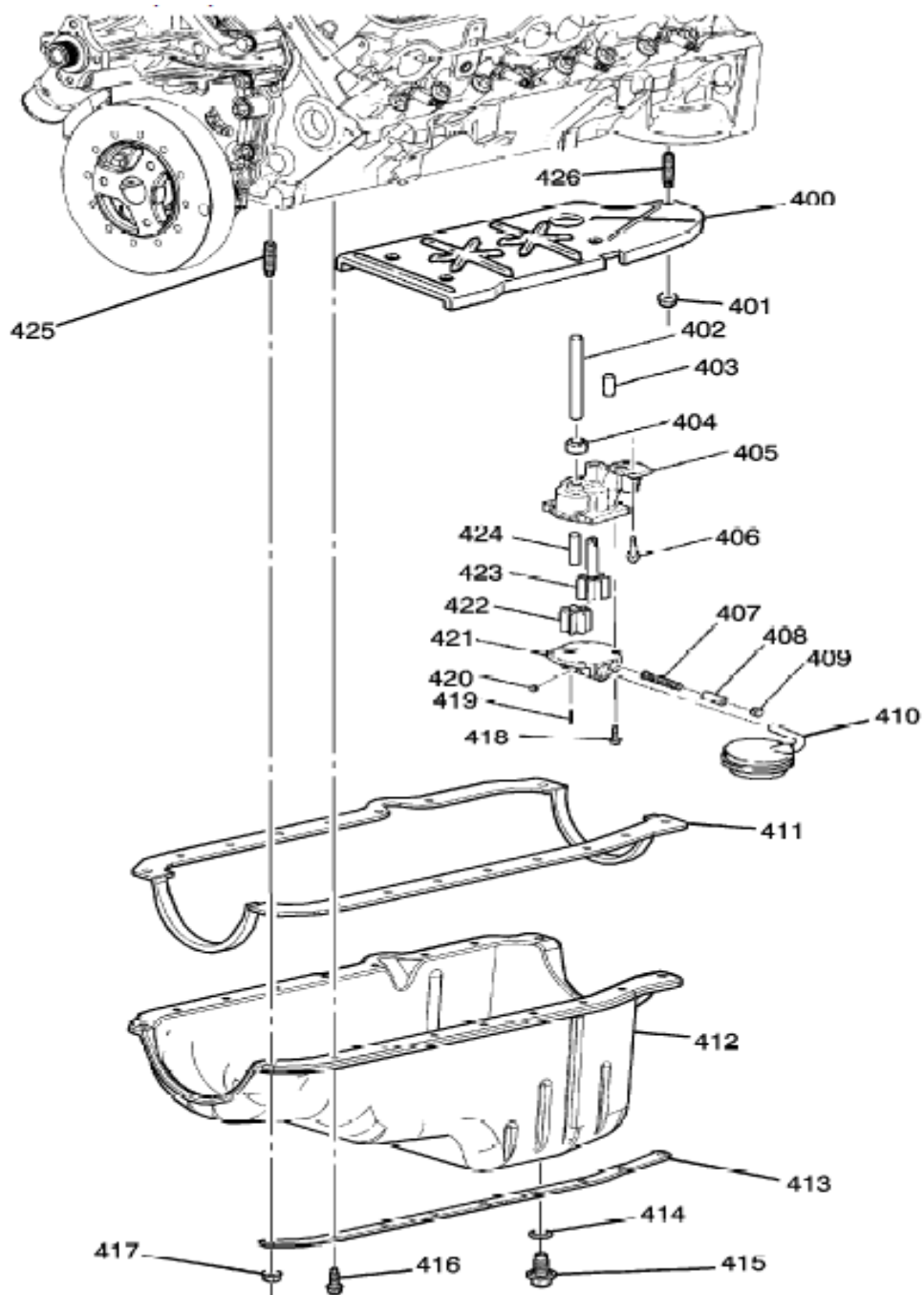


POS.	PART NUMBER	DESCRIPTION	QTY	NOTES
154	102457	BALANCER	1	
300	103142	BOLT	4	
301	101716	WATER PUMP WITH GASKET	1	
302	103151	GASKET	2	
303	103148	GASKET	1	
304	NSS	COVER		
305	100031	BOLT	1	
306	101970	GROMMET	8	
307	101933	BOLT	6	
308	101935	BOLT	2	
309	101984	SEAL	1	
310	101939	COVER	1	
311	NSS	SEAL		
312	33000580	SENSOR	1	
313	107181	BOLT	1	
314	107183	PLUG	1	
	NSS=	NOT SOLD SEPERATELY		

SPEC N. : 39001064  
REV DATE. : 16JUN15



# OIL PAN

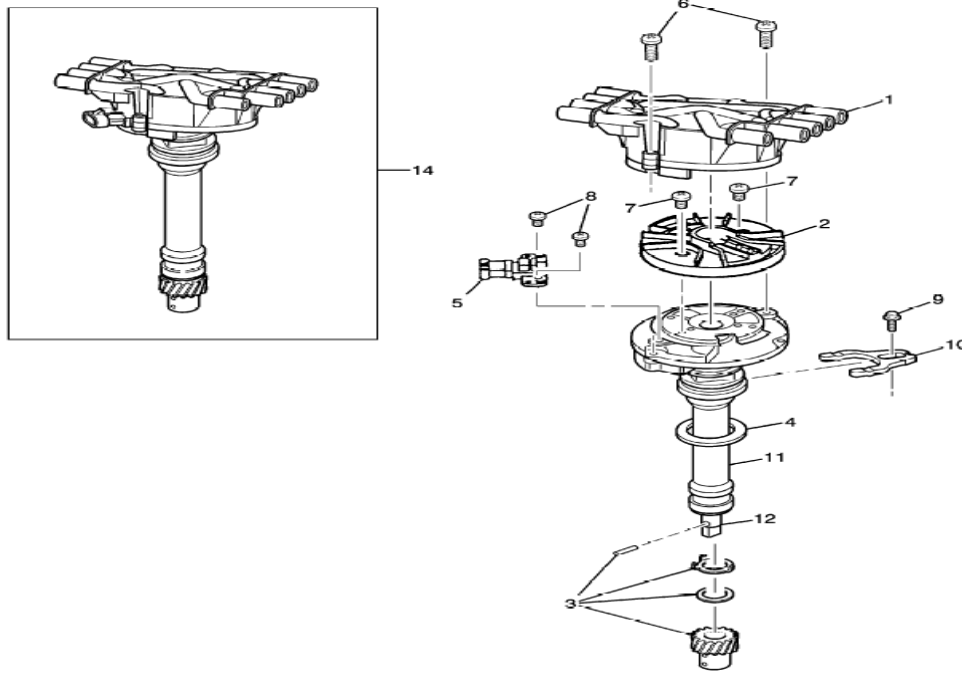


SPEC N. : 39001064  
REV DATE. : 16JUN15

**OIL PAN CONT.**

POS.	PART NUMBER	DESCRIPTION	QTY	NOTES
400	103376	DEFLECTOR	1	
401	102806	NUT	5	
402	103497	SHAFT	1	
403	103030	PIN	2	
404	103494	RETAINER	1	
405	103509A	PUMP	1	
406	103500	BOLT	1	
407	NSS	SPRING		
408	NSS	VALVE		
409	NSS	PLUG		
410	103548	SCREEN	1	
411	103356	GASKET	1	
412	103303	OIL PAN	1	
413	103335	REINFORCEMENT	1	
414	107033	SEAL	1	
415	100066	PLUG	1	
416	104716	BOLT	14	
417	103347	NUT	4	
418	107184	BOLT	4	
419	NSS	PIN		
420	NSS	PLUG		
421	NSS	COVER		
422	NSS	GEAR		
423	NSS	GEAR		
424	NSS	SHAFT		
425	101928	STUD	2	
426	101928	STUD	2	
	NSS	NOT SOLD SEPERATELY		

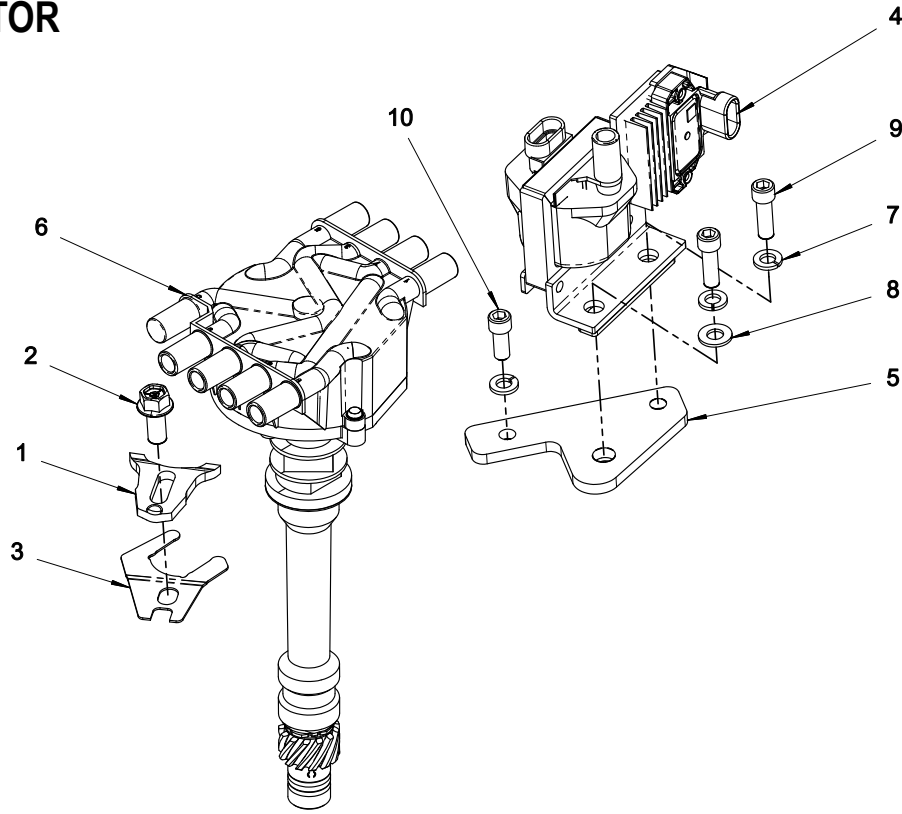
**DISTRIBUTOR**



POS.	PART NUMBER	DESCRIPTION	QTY	NOTES
1	103957G	CAP	1	
2	104000A	ROTOR	1	
3	NSS	GEAR		
4	NSS	GASKET		
5	104047A	SENSOR	1	
6	NSS	BOLT		
7	NSS	BOLT		
8	NSS	BOLT		
9	104732	BOLT	1	
9	104786	BOLT	1	
10	103948	CLAMP	1	
11	NSS	HOUSING		
12	NSS	SHAFT		
14	33001313	DISTRIBUTOR	1	
	NSS	NOT SOLD SEPERATELY		

SPEC N. : 39001064  
 REV DATE. : 16JUN15

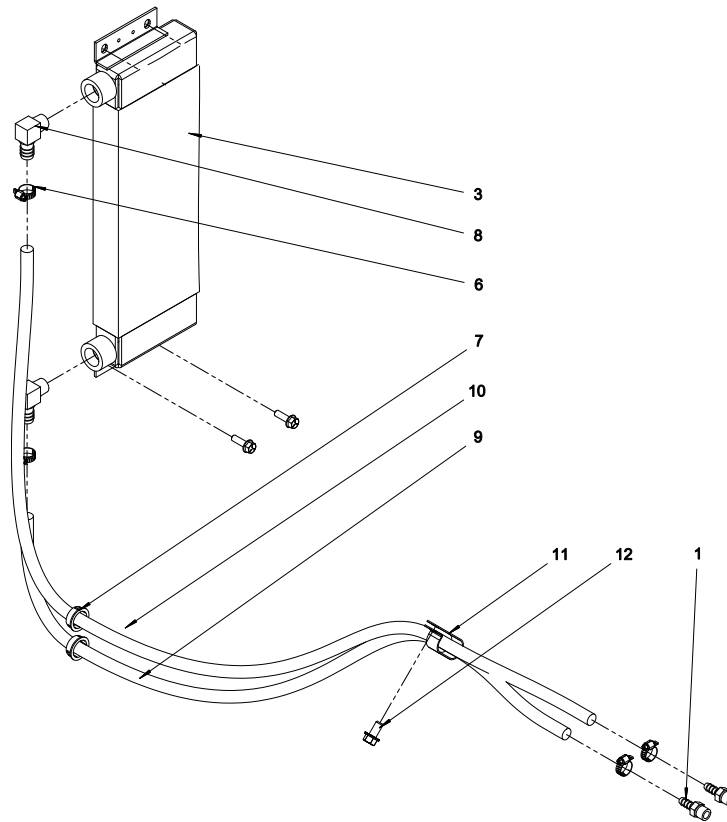
**DISTRIBUTOR**



38050326-02

POS.	PART NUMBER	DESCRIPTION	QTY	NOTES
1	33000275	CLAMP	1	
2	33000277	BOLT	1	
3	33000546	YOKE	1	
4	33000769	IGNITION COIL	1	
5	33000968	BRACKET	1	
6	33001313	DISTRIBUTOR	1	
7	35000024	WASHER	3	
8	35000028	WASHER	1	
9	35000132	BOLT	2	
10	35000173	BOLT	1	

**OIL COOLER**

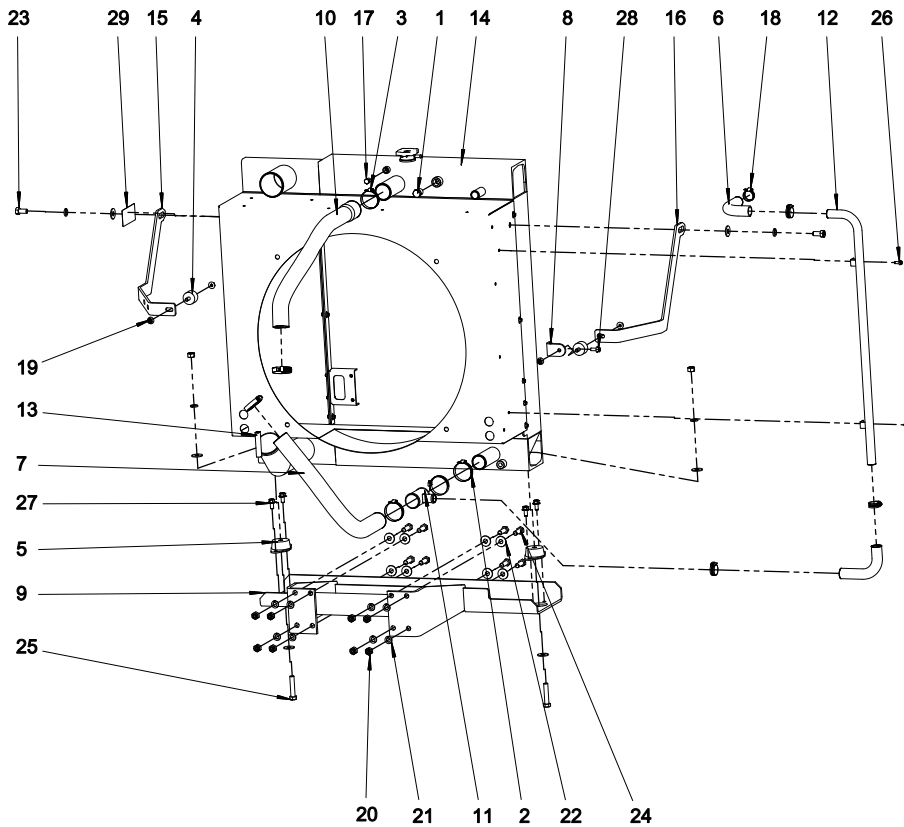


38050068-03

POS.	PART NUMBER	DESCRIPTION	QTY	NOTES
1	12700208	FITTING	2	
2	32000379	MOUNTING KIT	2	NOT SHOWN
3	32000971	OIL COOLER	1	
4	32500217	SLEEVE	18 IN	NOT SHOWN
5	32500217	SLEEVE	18 IN	NOT SHOWN
6	32500511	CLAMP	4	
7	32501061	BUSHING	2	
8	32501629	FITTING	2	
9	32501630	HOSE	49 IN	
10	32501630	HOSE	64 IN	
11	32501998	CLAMP	1	
12	35000455	BOLT	5	

SPEC N. : 39001064  
REV. DATE: 16JUN15

**RADIATOR**

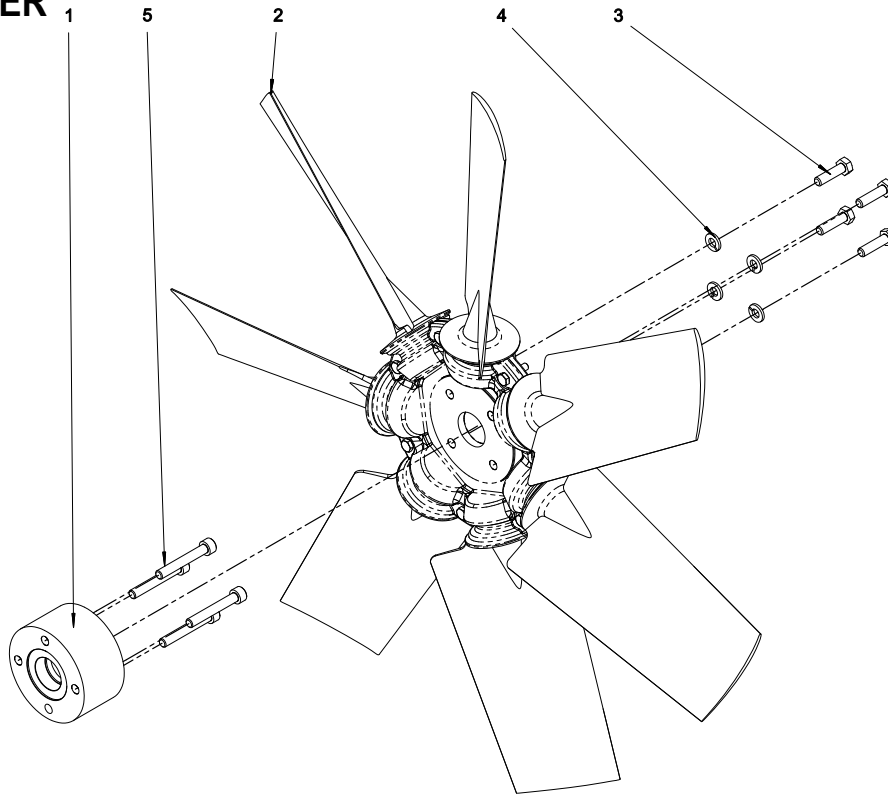


38050641-04

POS.	PART NUMBER	DESCRIPTION	QTY	NOTES
1	30100030	PLUG	1	
2	32000128	CLAMP	5	
3	32000193	CLAMP	1	
4	32000289	TPC ISOLATOR	2	
5	32000489	ISOLATOR	2	
6	32000514	HOSE	2	
7	32000806	HOSE	1	
8	32000845	BRACKET	1	
9	32000935	SUPPORT	1	
10	32000939	HOSE	1	

SPEC N. : 39001064  
REV. DATE: 16JUN15

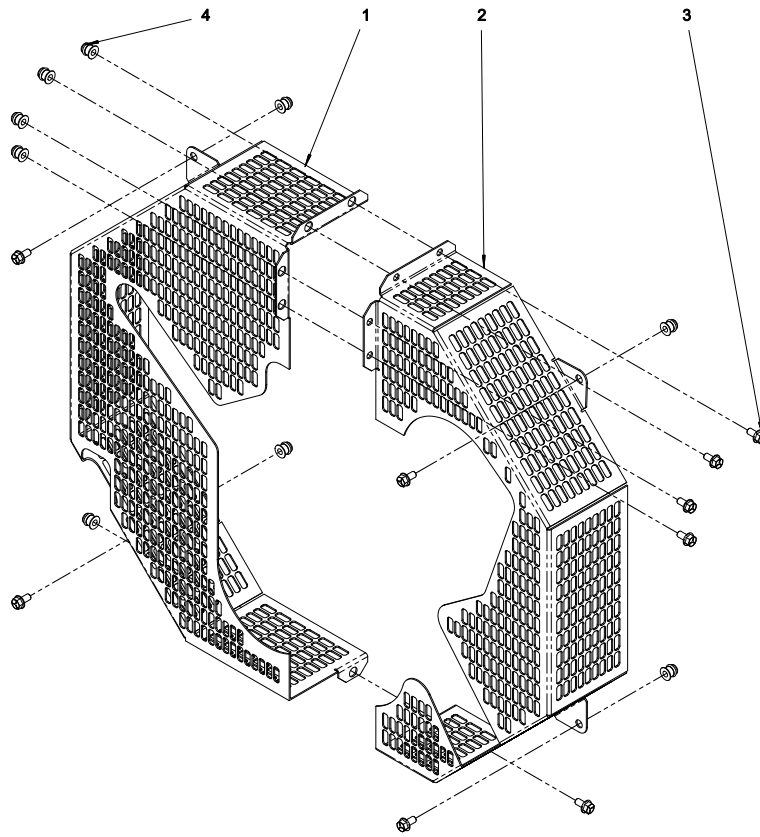
**FAN PUSHER**



38050642-01

POS.	PART NUMBER	DESCRIPTION	QTY	NOTES
1	32000807	SPACER	1	
2	32000942	PUSHER FAN	1	
3	35000019	BOLT	4	
4	35000361	WASHER	4	
5	35000807	BOLT	4	

**BELT GUARD**

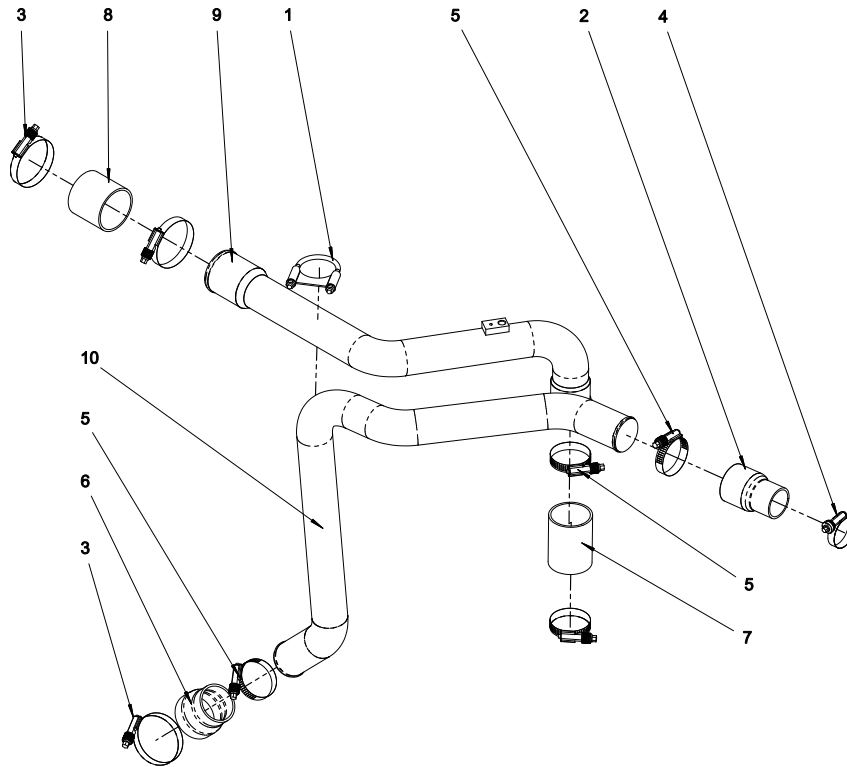


38050463-01

POS.	PART NUMBER	DESCRIPTION	QTY	NOTES
1	32000932	LEFT GUARD	1	
2	32000933	RIGHT GUARD	1	
3	35000448	BOLT	9	
4	35000618	NUT	9	



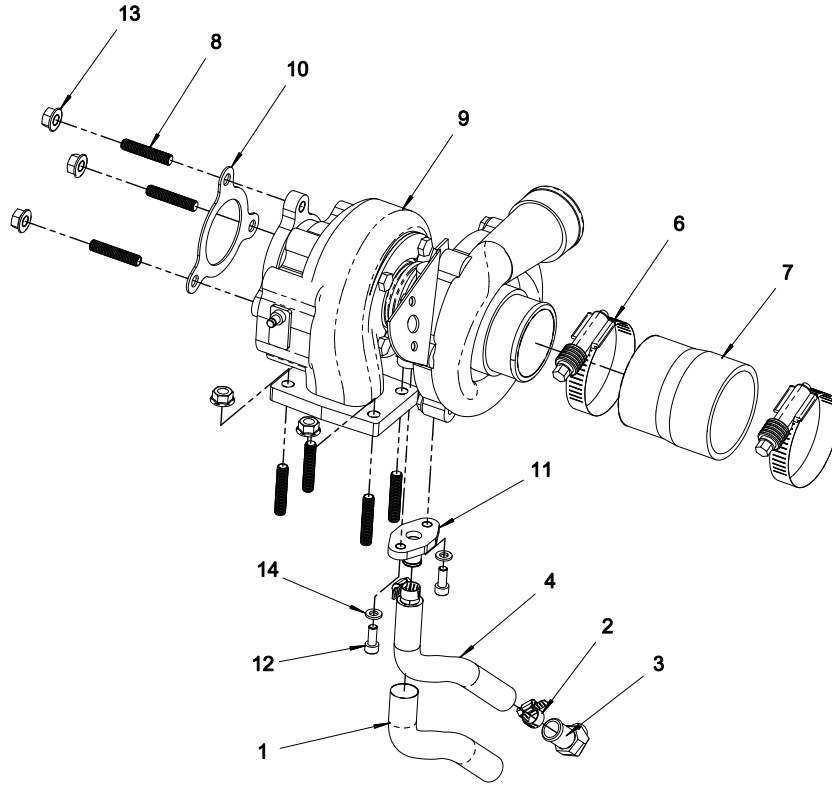
**CAC PIPING**



38050644-02

POS.	PART NUMBER	DESCRIPTION	QTY	NOTES
1	13000036	CLAMP	1	
2	32500621	HOSE	1	
3	32500802	CLAMP	3	
4	32500867	CLAMP	1	
5	32501875	CLAMP	4	
6	33500417	HOSE	1	
7	33500418	HOSE	1	
8	33500419	HOSE	1	
9	33500820	PIPE CAC TO INTAKE	1	
10	33500821	PIPE TURBO TO CAC	1	

**TURBOCHARGER**

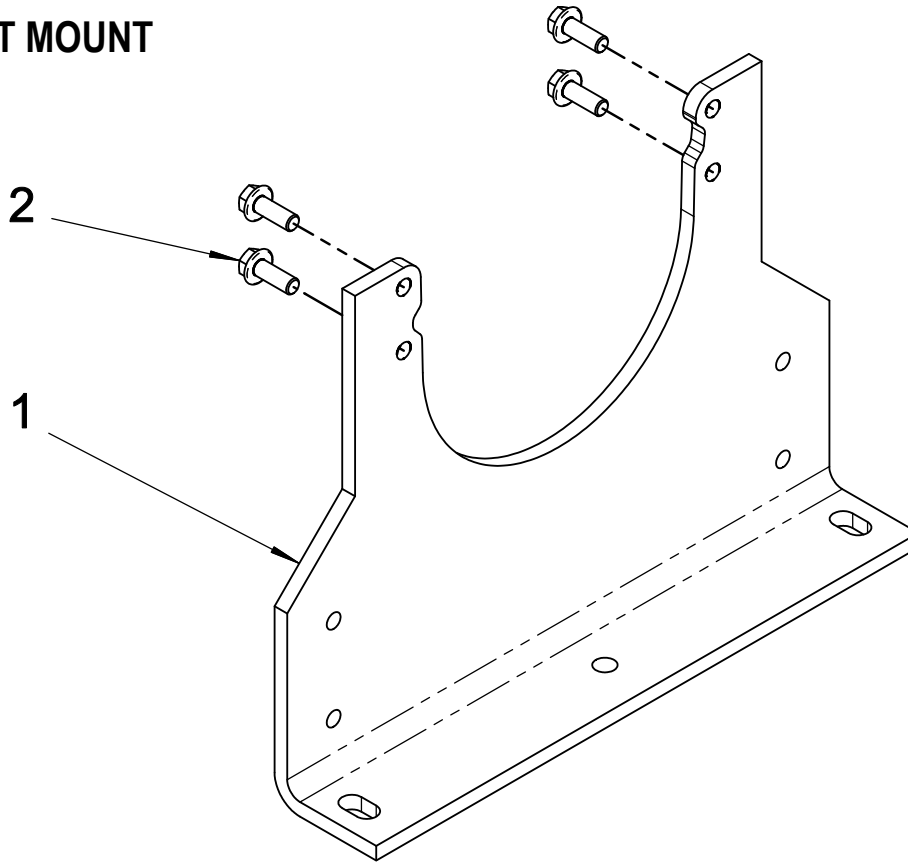


38050835-03

POS.	PART NUMBER	DESCRIPTION	QTY	NOTES
1	32500217	SLEEVE	12 IN	
2	32500511	CLAMP	2	
3	32500673	FITTING	1	
4	32501630	HI TEM HOSE	12 IN	
5	32501765	OIL SUPPLY HOSE	1	
6	32501875	CLAMP	2	
7	32501995	REDUCER	1	
8	33500822	STUD	7	
9	33500823	TURBOCHARGER	1	
10	33500828	GASKET	1	
11	33500830	FITTING	1	
12	35000005	BOLT	2	
13	35000021	NUT	7	
14	65000101	WASH3ER	2	

SPEC N. : 39001064  
REV. DATE: 16JUN15

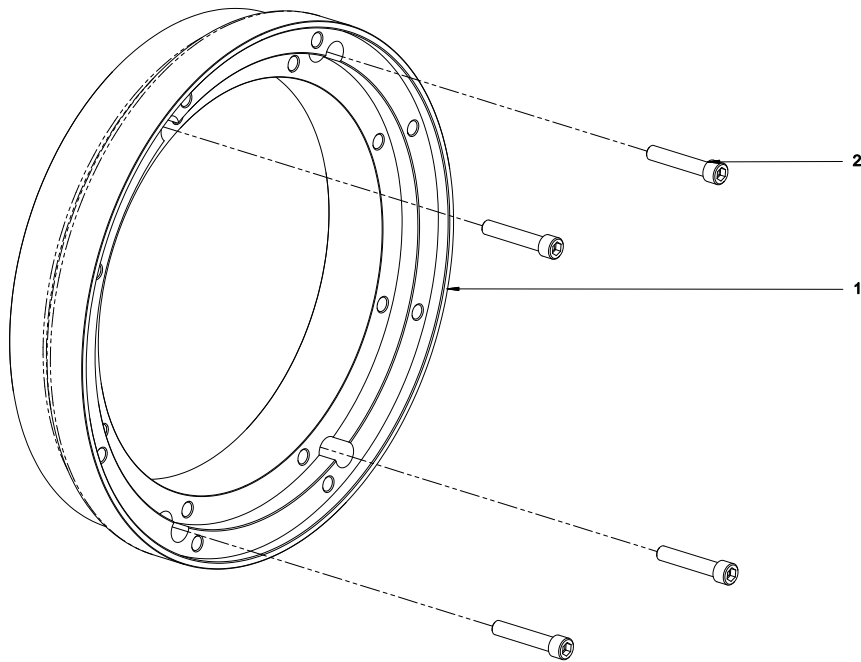
**FRONT MOUNT**



38050931-02

POS.	PART NUMBER	DESCRIPTION	QTY	NOTES
1	31000193	SUPPORT	1	
2	35000688	BOLT	4	

**FLYWHEEL ADAPTER**

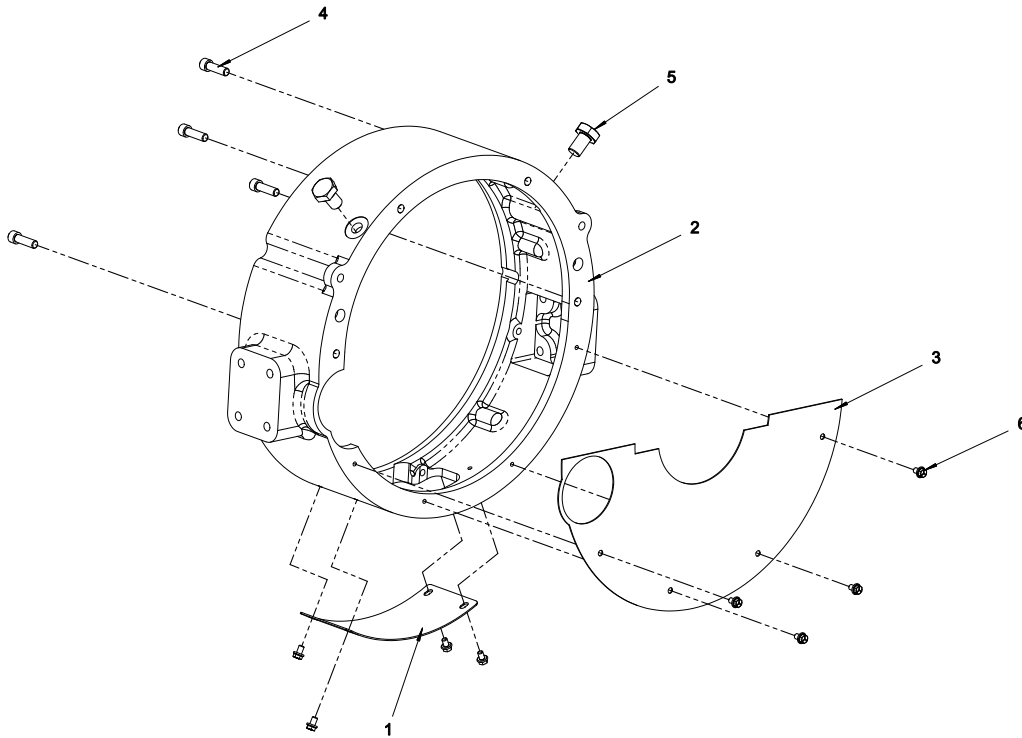


38030121-01

POS.	PART NUMBER	DESCRIPTION	QTY	NOTES
1	30500322	ADAPTER	1	
2	35000272	BOLT	4	

SPEC N. : 39001064  
REV. DATE: 16JUN15

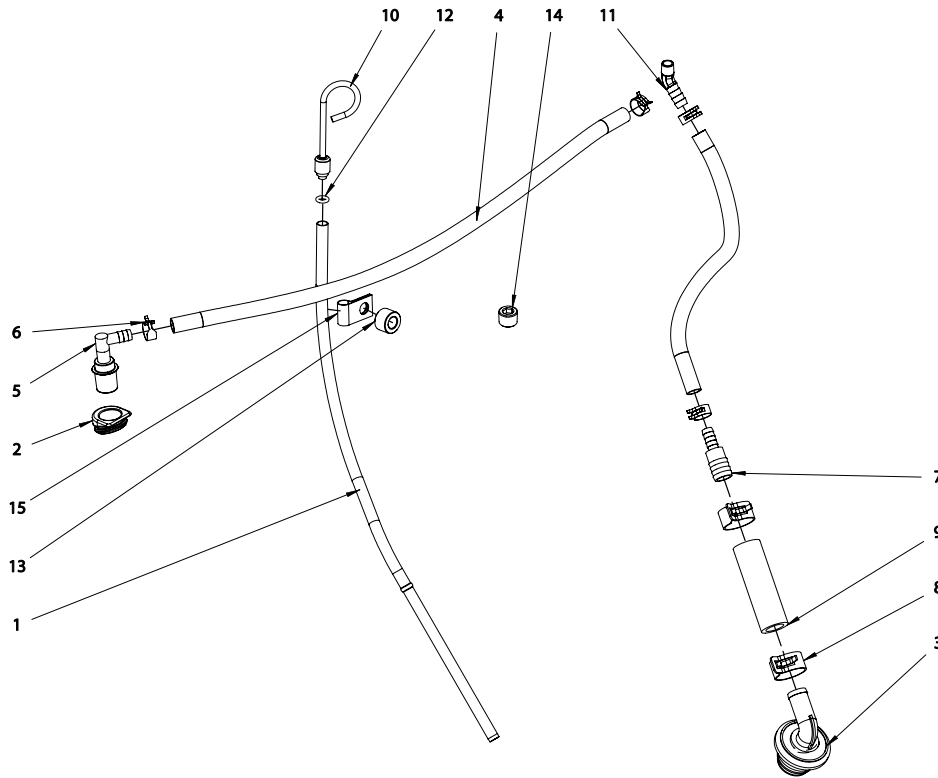
**FLYWHEEL HOUSING**



38030262-02

POS.	PART NUMBER	DESCRIPTION	QTY	NOTES
1	30500008	COVER PLATE	1	
2	30500387	FLYWHEEL HOUSING	1	
3	33000253	STARTER PLATE	1	
4	35000062	BOLT	6	
5	35000541	BOLT	8	

**DRESS**

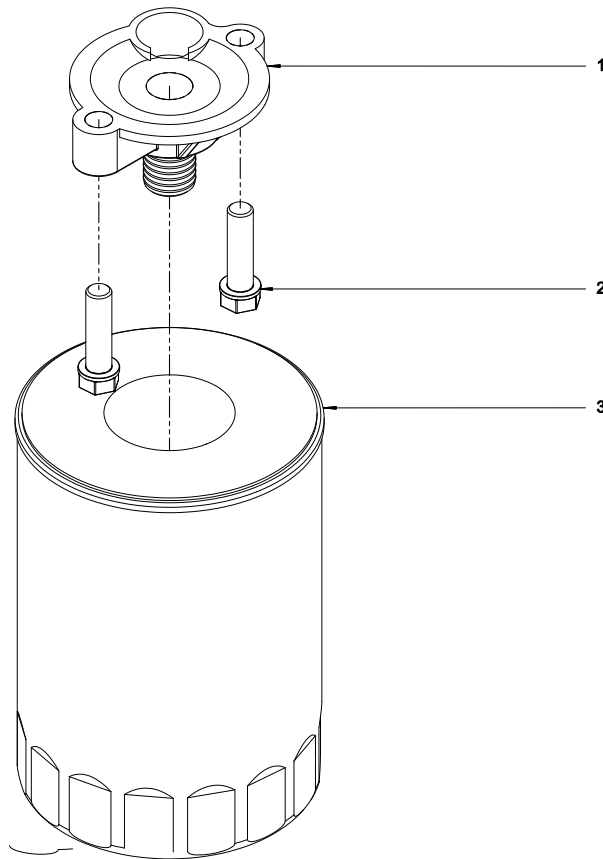


38050040-06

POS.	PART NUMBER	DESCRIPTION	QTY	NOTES
1	30100264	DIPSTICK TUBE	1	
2	32000142	GROMMET	2	
3	32500120	ELBOW	1	
4	32500135	HOSE	37 IN	
5	32500138	VAVLE	1	
6	32501134	CLAMP	4	
7	32501309	ADAPTER	1	
8	32501361	CLAMP	2	
9	32501647	HOSE	3 IN	
10	32501707	DIPSTICK	1	
11	32501805	FITTING	1	
12	32502070	O-RING	1	
13	33500497	SPACER	1	
14	35000277	PLUG	1	
15	60100028	CLAMP	1	
16	32501451	INSULATION	24 IN	NOT SHOWN
17	3301562	ZIP TIE	2	NOT SHOWN

SPEC N. : 39001064  
REV. DATE: 16JUN15

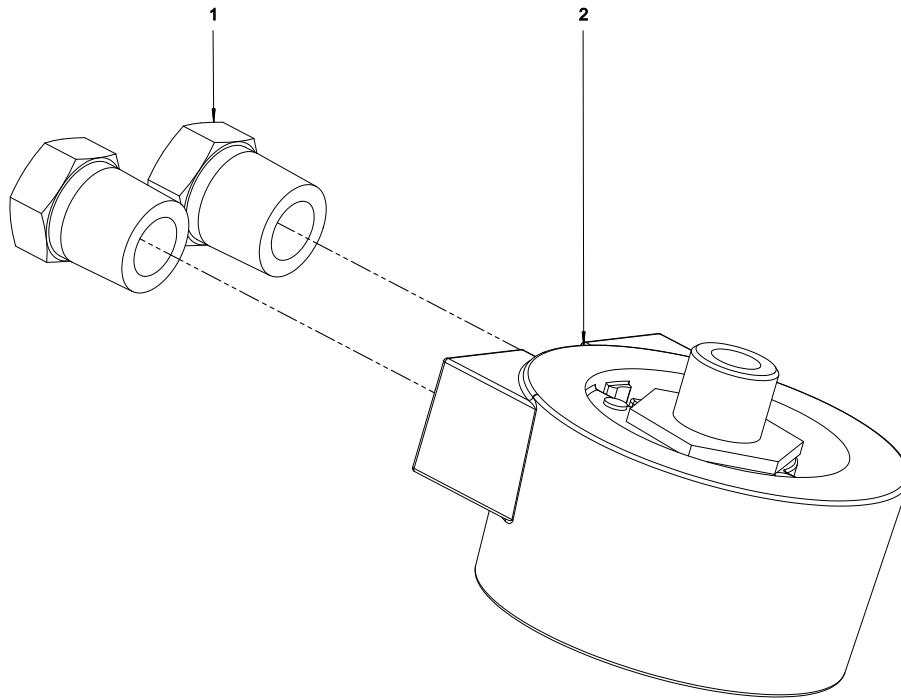
**OIL FILTER ADAPTER**



38050064-01

POS.	PART NUMBER	DESCRIPTION	QTY	NOTES
1	32000140	ADAPTER	1	
2	32000141	BOLT	2	
3	32500405	OIL FILTER	1	

**TURBO OIL COOLER**

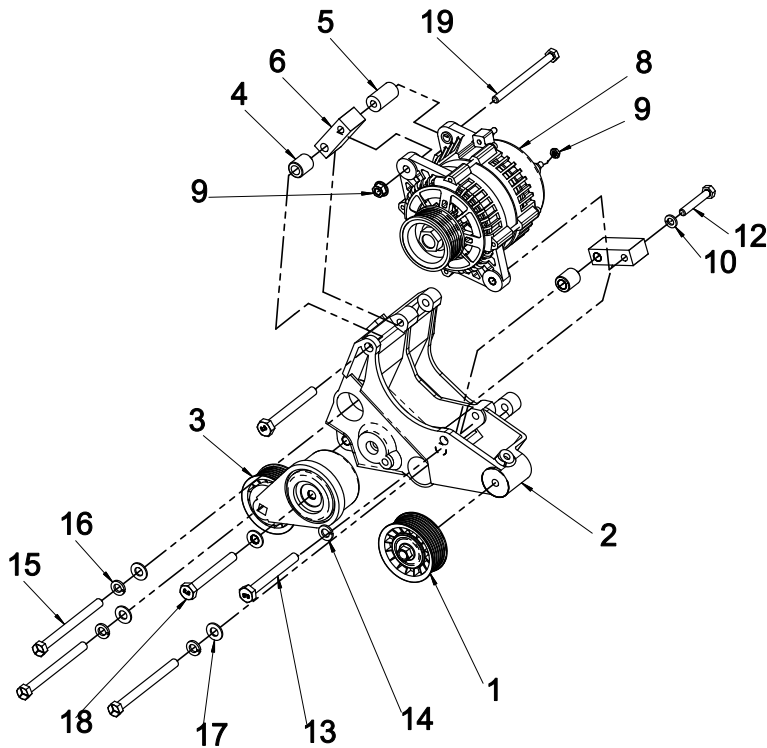


38050066-01

POS.	PART NUMBER	DESCRIPTION	QTY	NOTES
1	32500335	BUSHING	2	
2	32502105	ADPATER	1	



**ALTERNATOR**

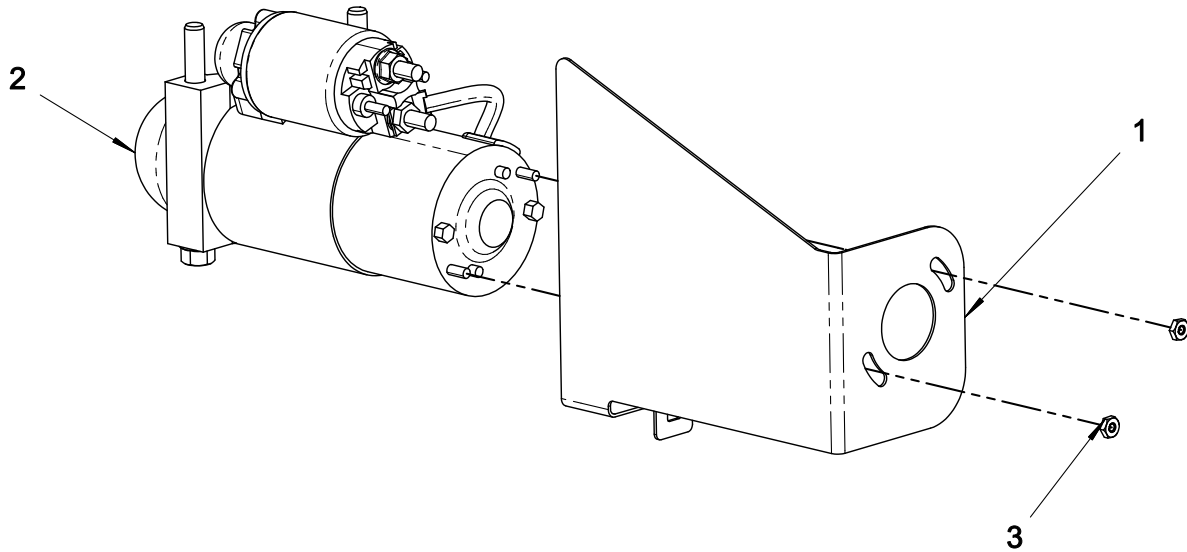


38050308-02

POS.	PART NUMBER	DESCRIPTION	QTY	NOTES
1	30100042	IDLER PULLEY	1	
2	30100043	BRACKET	1	
3	30100057	TENSIONER PULLEY	1	
4	33000100	SPACER	2	
5	33000101	SPACER	1	
6	33000102	BLOCK MOUNT	2	
7	33001243	ALTERNATOR	1	
8	35000003	NUT	1	
9	35000021	NUT	1	
10	35000024	WASHER	1	
11	35000039	BOLT	1	
12	35000045	BOLT	2	
13	35000046	WASHER	1	
14	35000061	BOLT	3	
15	35000063	WASHER	3	
16	35000064	WASHER	4	
17	35000253	BOLT	1	
18	35000271	BOLT	1	

SPEC N. : 39001064  
REV. DATE: 16JUN15

**STARTER**

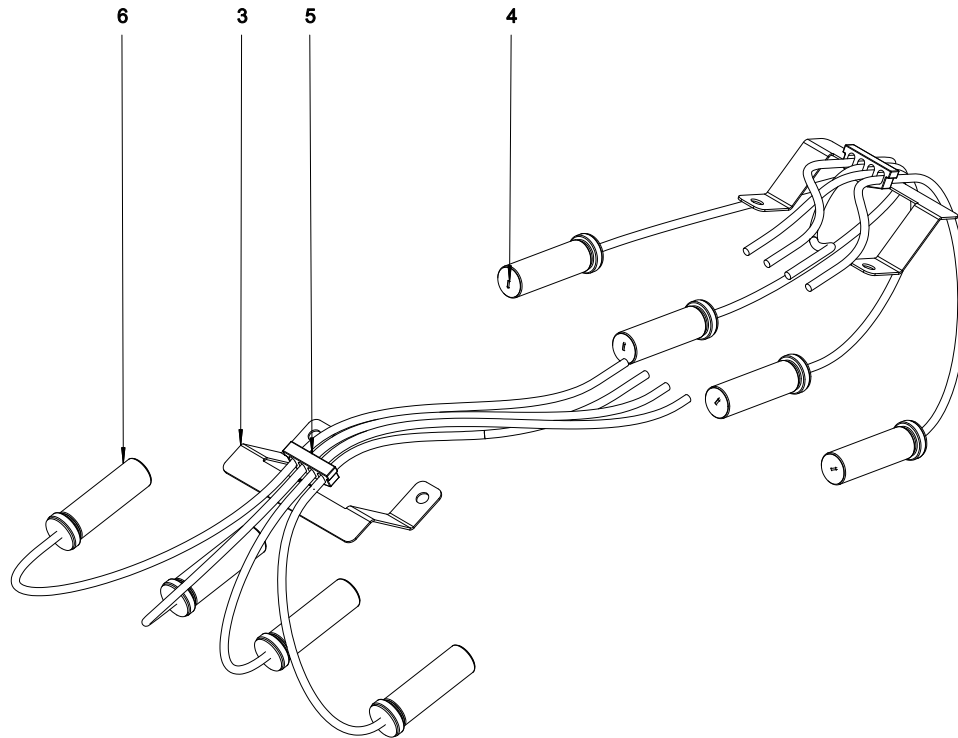


38050328-08

POS.	PART NUMBER	DESCRIPTION	QTY	NOTES
1	33000972	STARTER SHIELD	1	
2	33001228	STARTER	1	
3.	35000238	NUT	2	
4	35000021	NUT	1	NOT SHOWN
5	35000110	WASHER	2	NOT SHOWN

SPEC N. : 39001064  
REV. DATE: 16JUN15

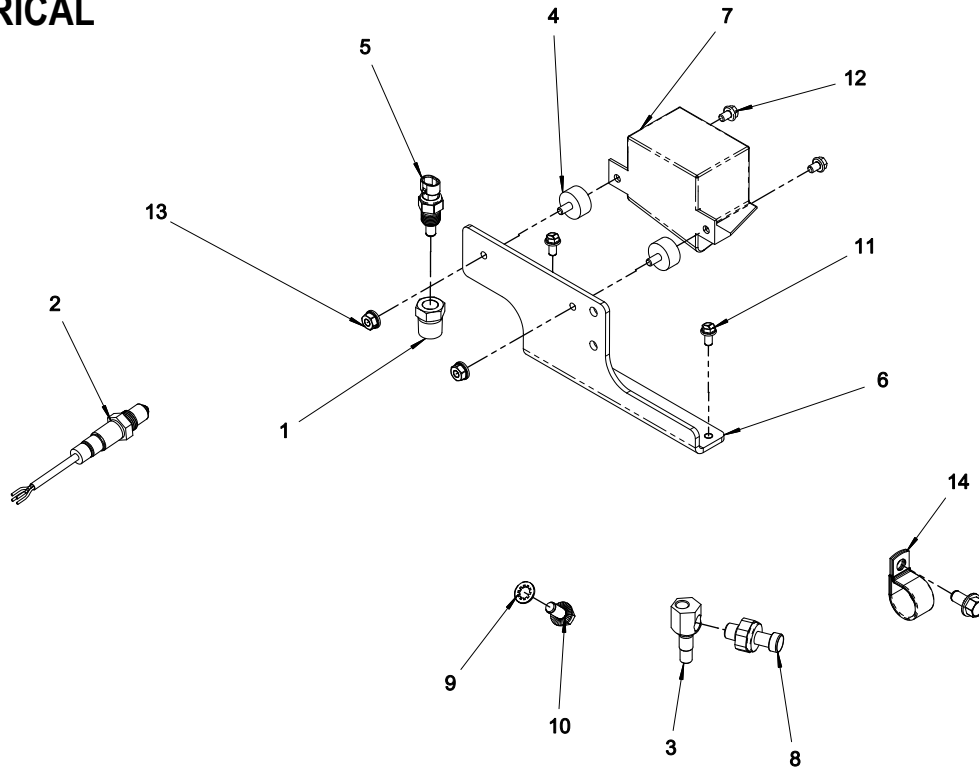
**IGNITION WIRES**



38050329-03

POS.	PART NUMBER	DESCRIPTION	QTY	NOTES
1	32000421	LOOM	66 IN	NOT SHOWN
2	32500217	SLEEVE	56 IN	NOT SHOWN
3	32501639	BRACKET	2	
4	33000562	SPARK PLUG	8	
5	33000231	SPARK PLUG RETAINER	2	
6	33001043	SPARK PLUG WIRES	1	

**ELECTRICAL**

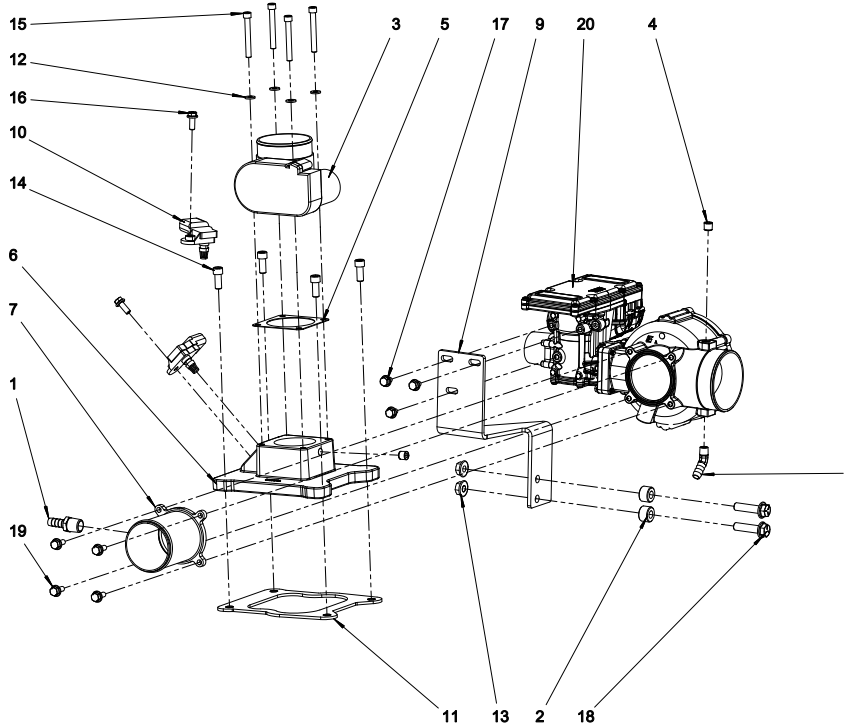


38050337-07

POS.	PART NUMBER	DESCRIPTION	QTY	NOTES
1	32500335	BUSHING	1	
2	32501267	O2 SENSOR	1	
3	32502195	FITTING	1	
4	33000354	ISOLATOR	2	
5	33000376	COOLANT SENSOR	1	
6	33000971	BRACKET	1	
7	33001185	HARNESS	1	
8	33001415	OIL PRESSURE SENSOR	1	
9	35000309	WASHER	1	
10	35000455	BOLT	2	
11	35000541	BOLT	2	
12	35000634	BOLT	2	
13	35000682	NUT	2	
14	62500146	CLAMP	1	

SPEC N. : 39001064  
REV. DATE: 16JUN15

**FUEL**

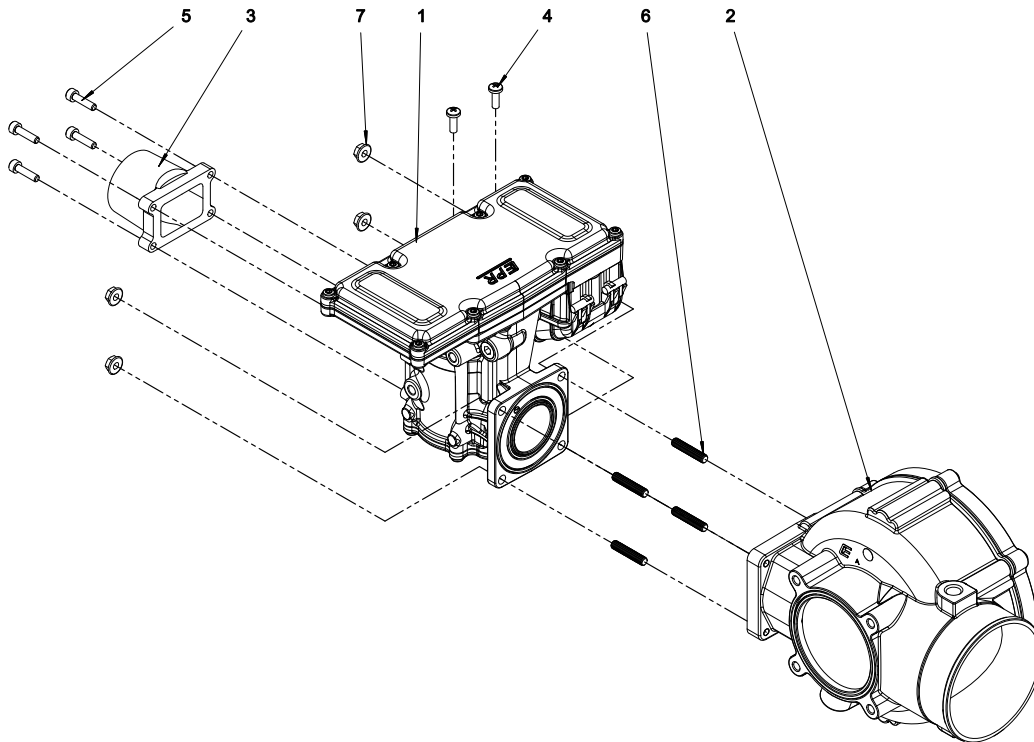


38050442-05

POS.	PART NUMBER	DESCRIPTION	QTY	NOTES
1	33501086	ADAPTER	1	
2	32500389	SPACER	2	
3	32500662	THROTTLE BODY	1	
4	32501516	PLUG	2	
5	32501550	GASKET	1	
6	32501728	THROTTLE BODY ADAPTER	1	
7	32501735	MIXER ADAPTER	1	
8	32501805	FITTING	1	
9	32501874	BRACKET	1	
10	33000841	T MAP SENSOR	2	
11	33500887	GASKET	1	
12	35000007	WASHER	4	
13	35000052	NUT	2	
14	35000173	BOLT	4	
15	35000331	BOLT	4	
16	35000429	BOLT	2	
17	35000449	BOLT	3	
18	35000484	BOLT	2	
19	35000530	BOLT	4	
20	38050445	EPR KIT	1	

SPEC N. : 39001064  
REV. DATE: 16JUN15

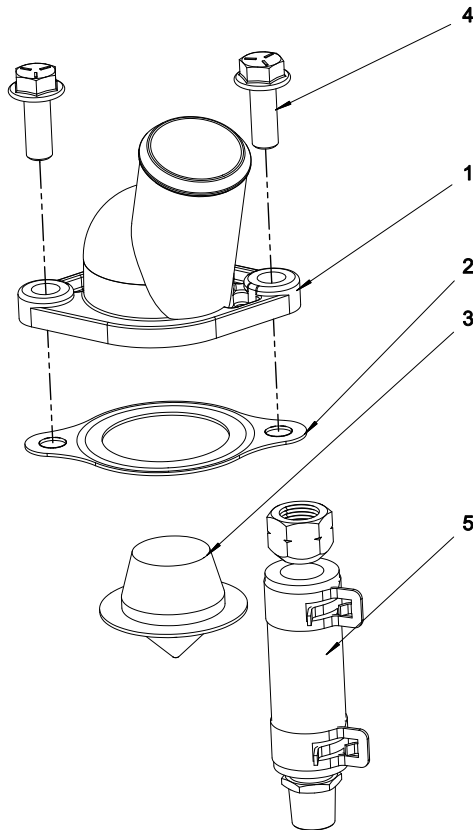
**EPR**



38050445-01

POS.	PART NUMBER	DESCRIPTION	QTY	NOTES
1	38901078	PROGRAMMED EPR	1	
2	32501705	MIXER *	1	
3	32501779	FITTING	1	
4	32501849	SCREW	2	
5	35000674	BOLT	4	
6	35000680	STUD	4	
7	35000681	NUT	4	
*	106823	MIXER REPAIR KIT	1	

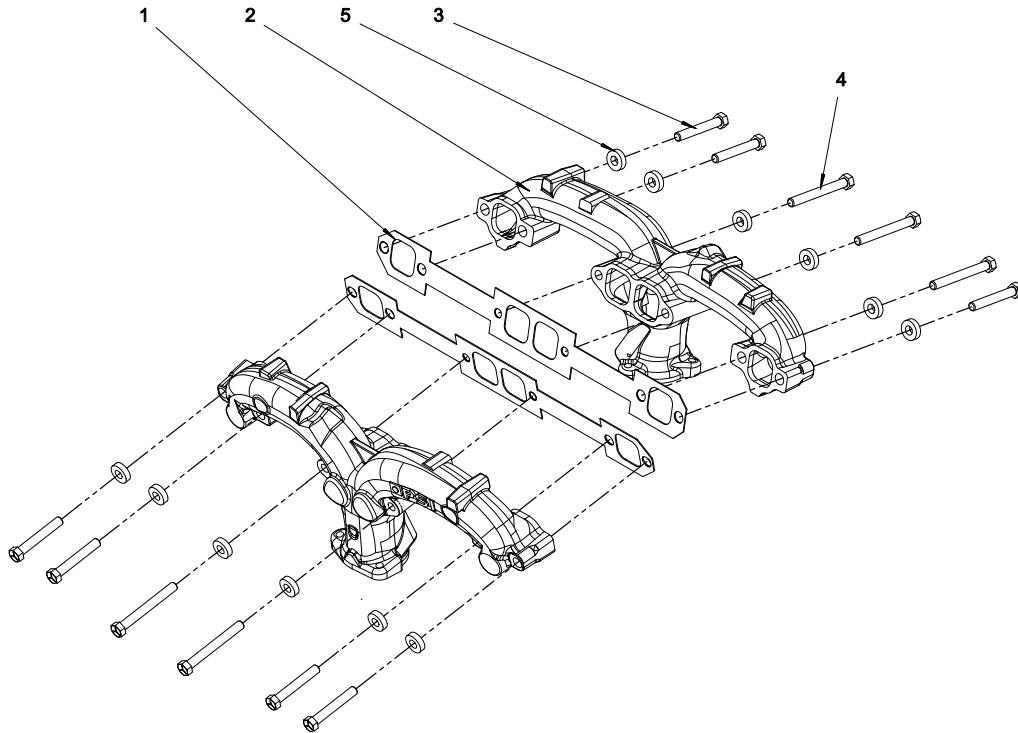
**THERMOSTAT**



38050634-01

POS.	PART NUMBER	DESCRIPTION	QTY	NOTES
1	30100041	WATER OUTLET	1	
2	30100046	GASKET	1	
3	32000216	THERMOSTAT	1	
4	35000688	BOLT	2	
5	38900649	CAP	1	

## EXHAUST MANIFOLD

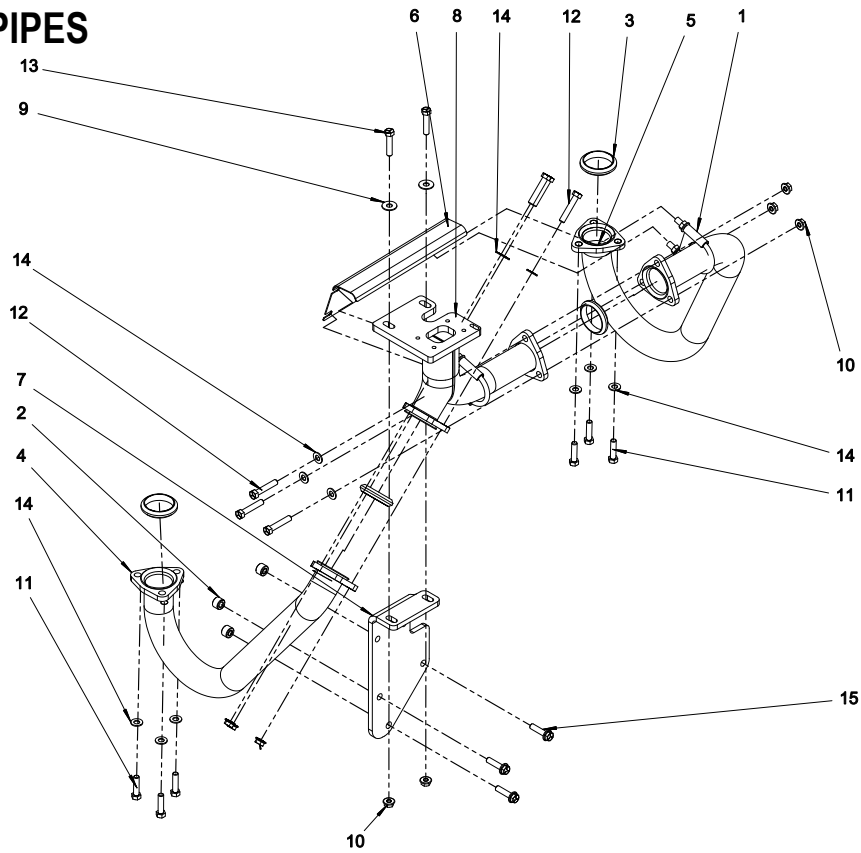


38050833-03

POS.	PART NUMBER	DESCRIPTION	QTY	NOTES
1	33500496	GASKET SET	1	
2	33500911	EXHAUST MANIFOLD	2	
3	35000058	BOLT	7	
4	35000141	BOLT	5	
5	35000191	WASHER	12	



**EXHAUST PIPES**

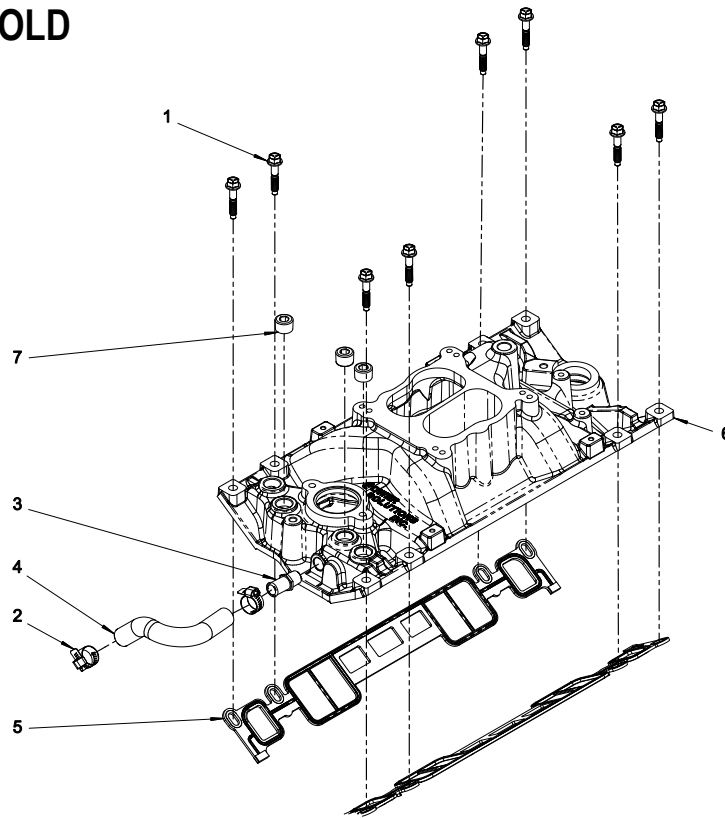


38050834-03

POS.	PART NUMBER	DESCRIPTION	QTY	NOTES
1	32000147	CLAMP	2	
2	32500389	SPACER	3	
3	33500120	GASKET	4	
4	33500678	PIPE	1	
5	33500679	PIPE	1	
6	33500747	HEAT SHIELD	1	
7	33500478	TURBO BRACKET	1	
8	33500824	Y PIPE	1	
9	35000048	WASHER	2	
10	35000052	NUT	8	
11	35000056	BOLT	6	
12	35000057	BOLT	6	
13	35000217	BOLT	2	
14	35000316	WASHER	12	
15	35000484	BOLT	3	

SPEC N. : 39001064  
REV. DATE: 16JUN15

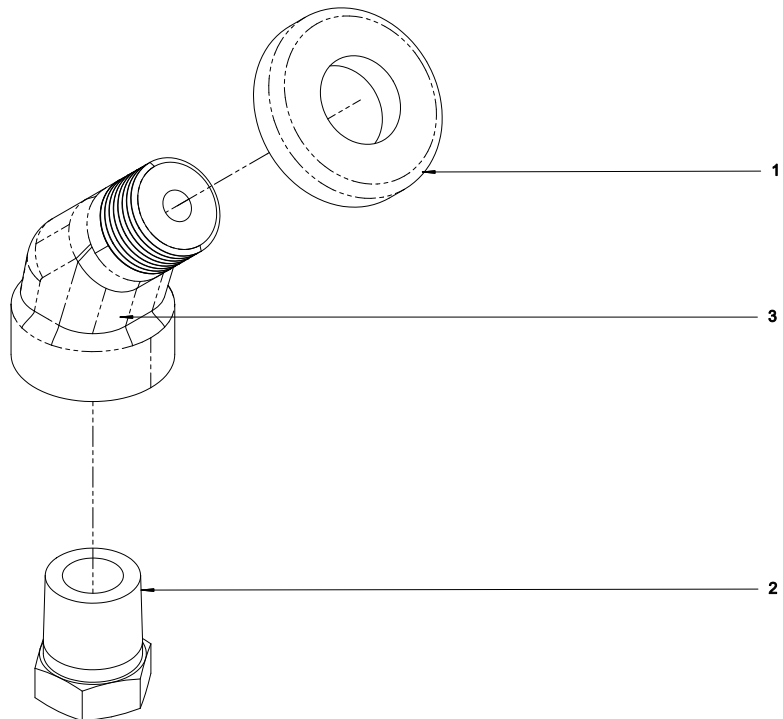
## INTAKE MANIFOLD



38050843-05

POS.	PART NUMBER	DESCRIPTION	QTY	NOTES
1	30100240	BOLT	8	
2	32501361	CLAMP	2	
3	32500272	FITTING	1	
4	32501610	WATER PUMP TO MANIFOLD HOSE	1	
5	33501067	GASKET	2	
6	33501039	INTAKE MANIFOLD	1	
7	35000224	PLUG	3	

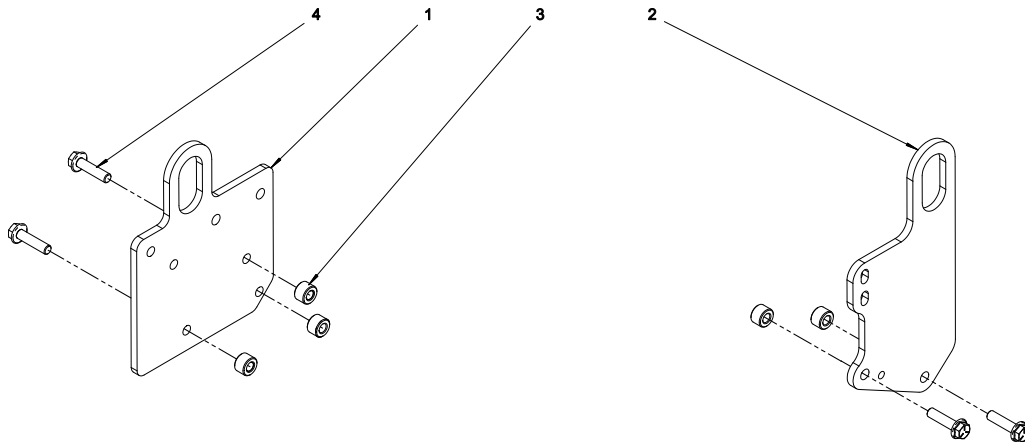
**FREEZE PLUG ADAPTER**



38050850-01

POS.	PART NUMBER	DESCRIPTION	QTY	NOTES
1	30100028	FREEZE PLUG ADAPTER	1	
2	30100030	PLUG	1	
3	30100034	PIPE	1	

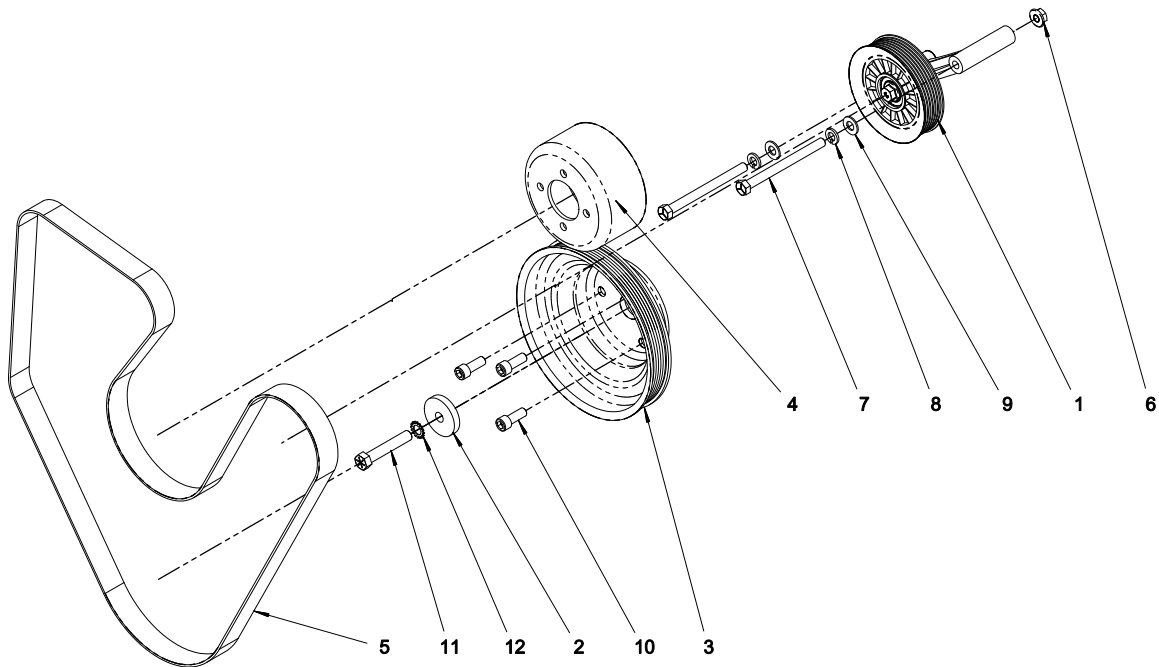
**LIFT EYE**



38050930-02

POS.	PART NUMBER	DESCRIPTION	QTY	NOTES
1	30100318	FRONT BRACKET	1	
2	30100323	REAR BRACKET	1	
3	32500389	SPACER	5	
4	35000484	BOLT	4	

## TURBO PULLEY



38051414-02

POS.	PART NUMBER	DESCRIPTION	QTY	NOTES
1	30100044	BRACKET	1	
2	30100123	WASHER	1	
3	30100135	CRANK PULLEY	1	
4	32001000	WATER PUMP PULLEY	1	
5	33001075	BELT	1	
6	35000052	NUT	1	
7	35000061	BOLT	2	
8	35000063	WASHER	2	
9	35000064	WASHER	2	
10	35000076	BOLT	3	
11	35000276	BOLT	1	
12	35000423	WASHER	1	

SPEC N. : 39001064  
REV. DATE: 16JUN15