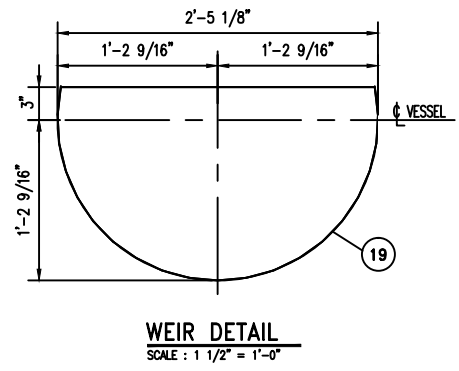
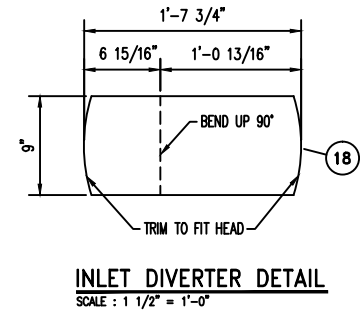
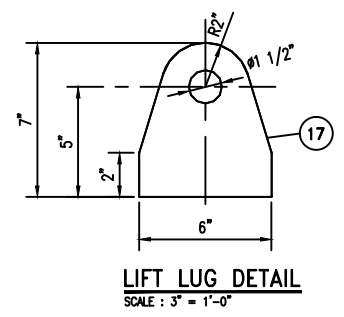


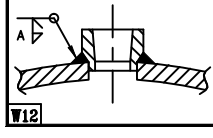
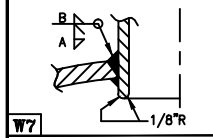
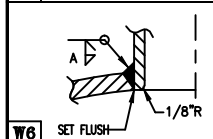
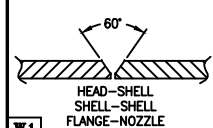
BILL OF MATERIAL					
MARK	QTY	SIZE	DESCRIPTION	LENGTH	WEIGHT
1	1	30"	SHELL PLATE, 30" OD X 10'-0" LG. X .625", SA-516-70	10'-0"	1960.0
2	2	30"	HEAD, 2:1 ELLIP, 30" OD X .625" NOM., 0.55" MIN., SA-516-70	-	456.0
3	2	3"	FLG RF LONG WELD NECK 300LB, ASTM SA-105	9"	72.0
4	4	2"	FLG RF LONG WELD NECK 300LB, ASTM SA-105	9"	76.0
5	1	1/2"	COUP-O-LET, THRD, 3000LB, ASTM SA-105	-	0.5
6	3	1"	COUP-O-LET, THRD, 3000LB, ASTM SA-105	-	1.5
7	3	2"	COUP-O-LET, THRD, 3000LB, ASTM SA-105	-	2.0
8	2	4"	FLG RF LONG WELD NECK 300LB, ASTM SA-105	12"	108.0
9	1	18"	FLG RF LONG WELD NECK 300LB, ASTM SA-105	16"	569.0
10	1	2"	COUPLING, FULL, THRD, 3000LB, ASTM SA-105	-	1.0
11	2	3/4"	COUPLING, FULL, THRD, 3000LB, ASTM SA-105	-	1.0
12	2	3/4"	COUPLING, THRD, 3000LB, ASTM SA-105 6" LG.	6"	2.0
13	2	PL-3/8	PL-3/8 X 3'-2" W X 2'-10 1/8" T, SA-36, (SADDLE)	-	122.0
14	2	PL-3/8	PL-3/8 X 7" W X 2'-3 3/4" L, SA-36, (BASEPLATE)	-	42.0
15	1	-	NAMEPLATE, 5 1/4" X 5 1/4" X 10 GA, P-1 MATERIAL	-	1.00
16	2	FB-3X1/4	FB-3X1/4 X 6" LG., SA-36, (VORTEX BREAKER)	12"	2.0
17	2	PL-1/2	PL-1/2" X 7" X 6", SA-36 (LIFT LUGS)	-	16.0
18	1	PL-3/8	PL-3/8" X 9" X 1'-7 3/4", SA-36 (INLET DIVERTER)	-	16.0
19	1	PL-3/8	PL-3/8" X 1'-5 9/16" X 2'-5 1/8", SA-36 (WEIR)	-	44.0
20	1	12"	PIPE, SMLS, S/STD, ERW SA-53 GR B, (MIST EXTRACTOR)	6"	25.0
21	1	-	MESH PAD, 6"/# 13" O.D. 316 SS	6"	5.0
22	1	18"	FLG, RF BLIND 300LB, ASTM SA-105	-	390.0
23	1	18"	GASKET, 1/8" 18" 300#	-	1.0
24	24	1 1/4"	(24) STUD BOLTS W/ NUTS, 7 3/4" LG, ASTM A193/194 GR B7/2H	-	101.0
24	2	2"	COUPLING, FULL, THRD, 8" LG. 3000LB, ASTM SA-105	8"	3.0
TOTAL WEIGHT: 5,000.00					

REFERENCE LINE:
ALL TAILED DIMENSIONS ARE TAKEN FROM THIS LINE.

ELEVATION
SCALE : 1 1/2" = 1'-0"



INLET END VIEW
SCALE : 1 1/2" = 1'-0"



DESIGN DATA			
CONSTRUCTION IN ACCORDANCE WITH 2017 EDITION OF A.S.M.E. CODE SECTION VIII, DIVISION 1.			
CODE STAMP	YES	REQ'D	NAT'L BOARD
DESIGN PRESSURE (INT.)	700	P.S.I.G.	TEMP 150
DESIGN PRESSURE (EXT.)	-	P.S.I.G.	TEMP -
M.A.W.P. (DESIGN)	700	P.S.I.G.	LIMITED BY DESIGN
M.A.W.P. (N. & C.)	-	P.S.I.G.	LIMITED BY -
HYDROSTATIC TEST	910	P.S.I.G. (1.3 TIMES M.A.W.P.)	-
CORROSION ALLOW. SHELL	0	HEADS	0
RADIOGRAPH	RT-1	P.W.H.T.	MFG. SER # NI-5232-5233
JOINT EFF. HEADS	100%	SHELL	100%
WEIGHT EMPTY	5,000	LBS.	FULL OF WATER 7,200 LBS.
MATERIAL			
SHELL	SA-516-70	FLANGES	SA-105
HEADS	SA-516-70	SUPPORTS	SA-36
CPLGS	SA-105	INTERNALS	SA-36

MARK	REQ'D	SIZE	CLASS	SERVICE	INSIDE PROJ.	OUTSIDE PROJ.	WELD FIGURE NUMBER	OUTSIDE FILLET	INSIDE FILLET	PAD FILLET
MW	1	18"	300# RF LHM	MANWAY	1"	8"	W7	5/8"	5/8"	-
N19	1	2"	300# CPLG	OIL LSL	5/8"	1"	W7	5/8"	1/2"	-
N18	1	2"	300# CPLG	WATER LSL	3/8"	1"	W7	3/8"	3/8"	-
N17	1	2"	300# COU	BURST DISK	-	1 1/4"	W6	3/8"	-	-
N16A/B	2	4"	300# RF LHM	ANODE	3/8"	ELEV	W7	3/8"	3/8"	-
N15	1	1"	300# COU	PRESSURE TRANSDUCER	-	1 1/4"	W6	3/8"	-	-
N14	1	1"	300# COU	SUPPLY GAS	-	1 1/4"	W6	3/8"	-	-
N13	1	2"	300# CPLG	OIL LSH	-	ELEV	W6	3/8"	-	-
N12	1	1/2"	300# COU	PRESSURE GAUGE	-	1 1/4"	W6	3/8"	-	-
N11	1	1"	300# COU	TI	-	1 1/4"	W6	3/8"	-	-
N10A/B	2	3/4"	300# CPLG	WATER LEVEL GAUGE	-	ELEV	W6	3/8"	-	-
N9A/B	2	3/4"	300# CPLG	OIL LEVEL GAUGE	-	ELEV	W6	3/8"	-	-
N8	1	2"	300# COU	RELIEF	-	1 1/4"	W6	3/8"	-	-
N7	1	2"	300# COU	DRAIN	-	1 1/4"	W6	3/8"	-	-
N6	1	2"	300# RF LHM	WATER LC	3/8"	ELEV	W7	3/8"	3/8"	-
N5	1	2"	300# RF LHM	OIL LC	3/8"	ELEV	W7	3/8"	3/8"	-
N4	1	2"	300# RF LHM	WATER OUTLET	FLUSH	6"	W6	3/8"	-	-
N3	1	2"	300# RF LHM	OIL OUTLET	FLUSH	6"	W6	3/8"	-	-
N2	1	3"	300# RF LHM	GAS OUTLET	3/8"	6"	W7	3/8"	3/8"	-
N1	1	3"	300# RF LHM	INLET	3/8"	ELEV	W7	3/8"	3/8"	-

SCHEDULE OF OPENINGS

CERTIFIED BY

GLOBAL VESSEL & TANK, LLC

(800) 424-5384

M.A.W.P. 700 PSI at 150 °F

M.A.W.P. EXT. PSI at °F

M.D.M.T. -20 °F at 700 PSI

MFG. SERIAL NUMBER NI-5232-5233 YEAR BUILT 2018

DWG. # 30X10-700-H3P

DESCRIPTION 30" O.D. X 10'-0" HORIZ. 3 PH.

EST. WEIGHT 5,000 LB.

DATE:	TOLERANCES:
_____	CUTS ±1/8"
_____	ANGLES ±1/2"
_____	WELD ASSEMBLIES ±1/4"
_____	DECIMAL DIM. ±.005"
_____	BEND DIM. ±1/8"

ISSUED FOR CONSTRUCTION

WPS-100
WPS-101

GLOBAL VESSEL & TANK, LLC

109 KODAK BLVD.
LONGVIEW, TX. 75602
(800) 424-5384

CUSTOMER: CABOT OIL & GAS

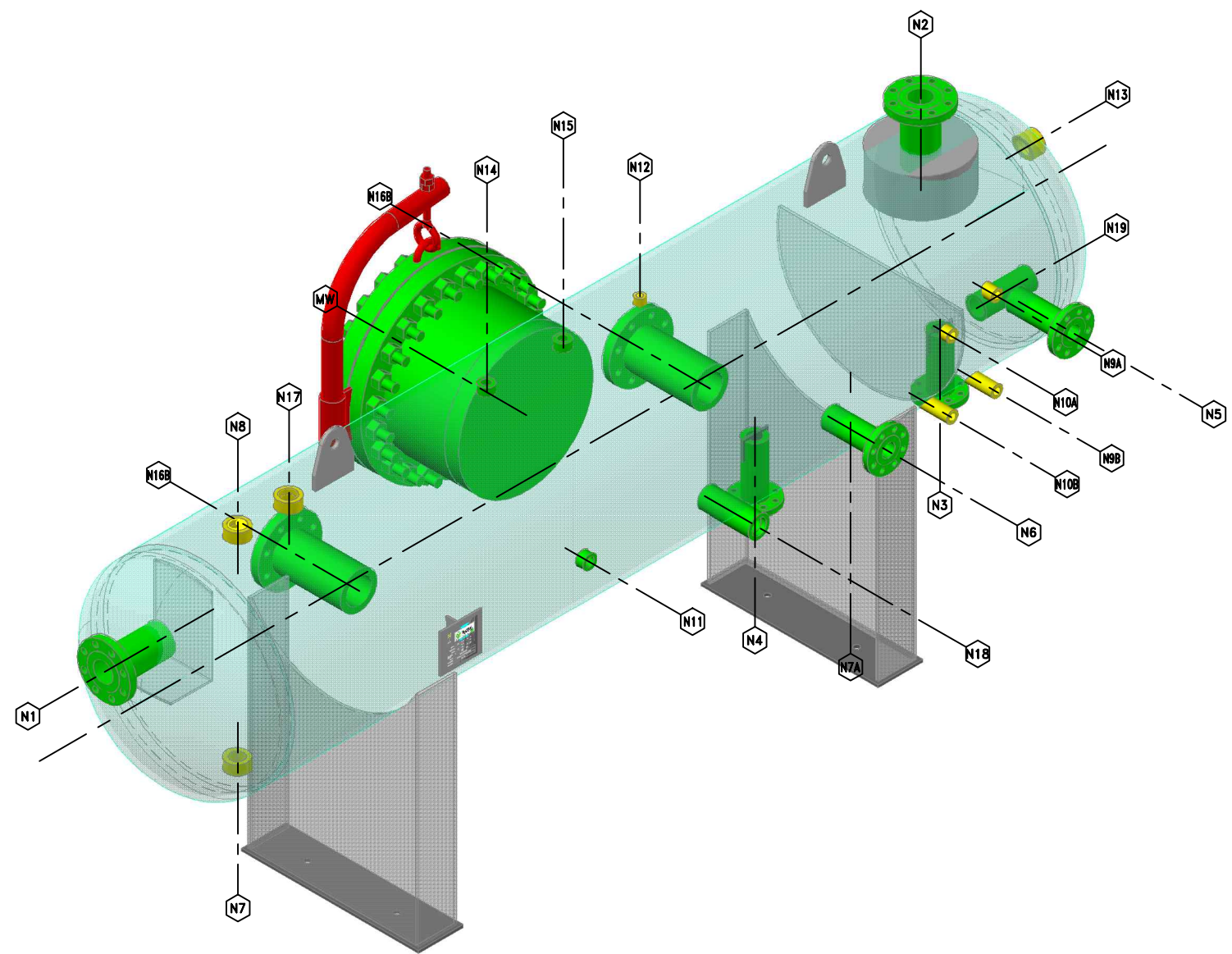
TITLE: 30" OD x 10'-0" S/S @ 700#
HORIZONTAL 3-PHASE SEPARATOR
ELEVATION & END VIEW

DATE	DRAWN	CHECKED	APPROVED
05/10/18	JPR	KMA	KMA

SCALE: AS NOTED S.O.# 7945-001

DRAWING NUMBER	SHEETS	REV
3010-700-H3P	SHT# 1 OF 2	0


THIS DRAWING IS THE PROPERTY OF GLOBAL VESSEL & TANK, LLC. THE INFORMATION CONTAINED IN THIS DRAWING IS CONFIDENTIAL AND PROPRIETARY INFORMATION INTENDED ONLY FOR THE INDIVIDUAL OR ENTITY TO WHICH IT WAS SANCTIONED. ANY UNAUTHORIZED USE, DISTRIBUTION, COPYING, OR DISCLOSURE OF THIS DRAWING IS PROHIBITED.



ISOMETRIC VIEW
SCALE : 1 1/2" = 1'-0"

ISSUED FOR CONSTRUCTION

WPS-100
WPS-101

DATE:		TOLERANCES:			109 KODAK BLVD. LONGVIEW, TX. 75602 (800) 424-5384
QCM:		CUTS	±1/8"		
		ANGLES	±1/2"	CUSTOMER	
		WELD ASSEMBLIES	±1/4"	CABOT OIL & GAS	
		DECIMAL DIM.	±.005"	TITLE	
		BEND DIM.	±1/8"	30" OD x 10'-0" S/S @ 700# HORIZONTAL 3-PHASE SEPARATOR ISOMETRIC VIEW	
				DATE	DRAWN
				05/10/18	JPR
				CHECKED	APPROVED
				KMA	KMA
				SCALE:	S.O.#
				AS NOTED	-
0	ISSUED FOR CONSTRUCTION	05/16/18	JPR	DRAWING NUMBER	
REV.	DESCRIPTION	DATE	BY	CK	SHEETS
					REV
				3010-700-H3P	SHT# 2 OF 2
					0

THIS DRAWING IS THE PROPERTY OF GLOBAL VESSEL & TANK, LLC. THE INFORMATION CONTAINED IN THIS DRAWING IS CONFIDENTIAL AND PROPRIETARY INFORMATION INTENDED ONLY FOR THE INDIVIDUAL OR ENTITY TO WHICH IT WAS SANCTIONED. ANY UNAUTHORIZED USE, DISTRIBUTION, COPYING, OR DISCLOSURE OF THIS DRAWING IS PROHIBITED.