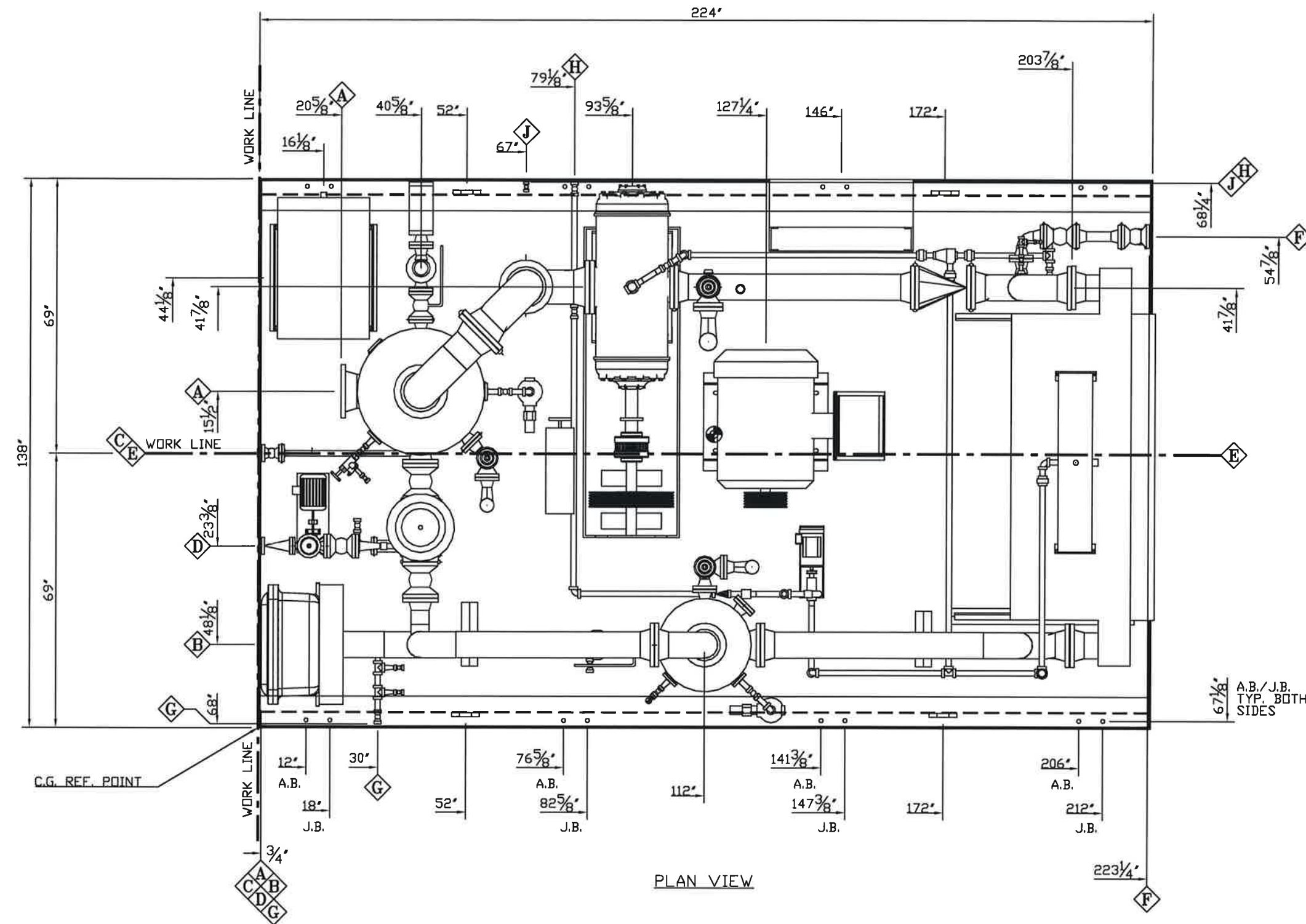


ESTIMATED UNIT WEIGHT
WITH A 15% SAFETY FACTOR
27,863 lbs

ESTIMATED
CENTER GRAVITY.
X: 9.52'
Y: 6.16'
Z: 2.7'

AS-BUILT



67 1/8" A.B./J.B.
TYP. BOTH
SIDES

- A.B. / J.B. NOTES:
1. JACK BOLT = 7/8" NUT & BOLT
 2. WELD 7/8" NUT TO TOP OF BOTTOM BEAM
 3. ANCHOR HOLE = Ø1" HOLE
 4. J.B. & A.H. TYP BOTH SIDES OF SKIDS
 5. PLACE GND LUGS ON OPPOSITE CORNERS (RED'Q 2)

PLAN VIEW

CONNECTION SCHEDULE

MARK	SIZE	RATING	FACE	SERVICE
A	8"	150#	RF	GAS INLET
B	6"	150#	RF	GAS DISCHARGE
C	1"	150#	RF	MANUAL DRAIN
D	1"	150#	RF	AUTO DRAIN (SUCTION SCRUBBER)
E	2"	2000#	F/NPT	SKID DRAIN
F	2"	150#	RF	UNIT BLOWDOWN
G	1"	2000#	F/NPT	INSTRUMENT AIR
H	1"	2000#	F/NPT	JACKET WATER DRAIN
J	1/2"	2000#	F/NPT	LUBE OIL MAKE-UP

NOTES:
SEE SHEET 4

NO.	BY	DATE	DESCRIPTION	CHK'D	APP'D
3	J.C.	12/06/18	AS-BUILT	JP	JP
2	J.C.	10/01/18	REVISED PER CHANGE ORDER	JP	JP
1	J.C.	08/22/18	SHOW CUSTOMER CON. IN SKID CONT.	JP	JP
0	J.C.	08/14/18	ISSUED FOR CONSTRUCTION	JP	JP
A	J.C.	07/25/18	ISSUED FOR APPROVAL	JP	JP

HY-BON EDI
Vent Gas Management

THIS DRAWING IS PROPERTY OF
HY-BON EDI
2404 COMMERCE ST.
MELAND, TEXAS 79703

This drawing is issued in strict confidence and shall not, without the prior written permission of Hy-Bon EDI, be reproduced, copied, or used for any purpose whatsoever except the manufacture of articles for Hy-Bon EDI.

GENERAL ARRANGEMENT

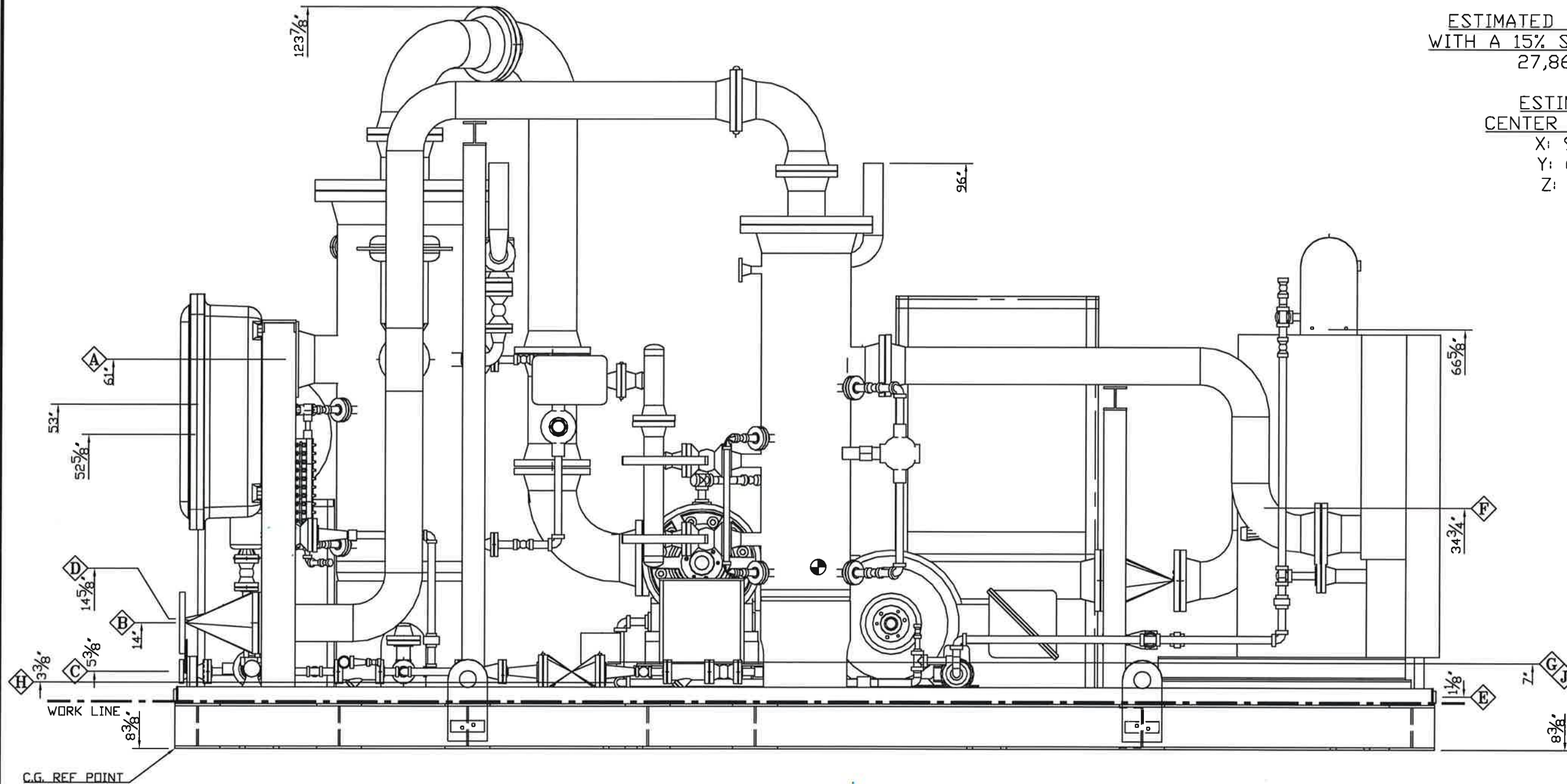
PLAN VIEW
HB-12L-150-12BV

DRAWN: J.C.	DATE: 07/25/18	SCALE: N/A	CHK'D: JP	APP'D: JP	W.O. NO.: 112449
----------------	-------------------	---------------	--------------	--------------	---------------------

CUSTOMER:
PDC ENERGY

ESTIMATED UNIT WEIGHT
WITH A 15% SAFETY FACTOR
27,863 lbs

ESTIMATED
CENTER GRAVITY,
X: 9.52'
Y: 6.16'
Z: 2.7'



ELEVATION VIEW

AS BUILT

CONNECTION SCHEDULE				
MARK	SIZE	RATING	FACE	SERVICE
A	8"	150#	RF	GAS INLET
B	6"	150#	RF	GAS DISCHARGE
C	1"	150#	RF	MANUAL DRAIN
D	1"	150#	RF	AUTO DRAIN (SUCTION SCRUBBER)
E	2"	2000#	F/NPT	SKID DRAIN
F	2"	150#	RF	UNIT BLOWDOWN
G	1"	2000#	F/NPT	INSTRUMENT AIR
H	1"	2000#	F/NPT	JACKET WATER DRAIN
J	1/2"	2000#	F/NPT	LUBE OIL MAKE-UP

NOTES:
SEE SHEET 4

NO.	BY	DATE	DESCRIPTION	CHK'D	APP'D
3	J.C	12/06/18	AS-BUILT	JP	JP
2	J.C	10/01/18	REVISED PER CHANGE ORDER	JP	JP
1	J.C	08/22/18	SHOW CUSTOMER CON. IN SKID CONT.	JP	JP
0	J.C	08/14/18	ISSUED FOR CONSTRUCTION	JP	JP
A	J.C	07/25/18	ISSUED FOR APPROVAL	JP	JP

HY-BON EDITM
Vent Gas Management

THIS DRAWING IS PROPERTY OF
HY-BON EDI
2404 COMMERCE ST.
MCKINNEY, TEXAS 75063

This drawing is issued in strict confidence and shall not, without the prior written permission of Hy-Bon EDI, be reproduced, copied, or used for any purpose whatsoever except the manufacture of articles for Hy-Bon EDI.

GENERAL ARRANGEMENT

ELEVATION VIEW
HB-12L-150-12BV

DRAWN: J.C	DATE: 07/25/18	SCALE: N/A	CHK'D: JP	APP'D: JP	W.O. NO.: 112449
---------------	-------------------	---------------	--------------	--------------	---------------------

CUSTOMER:
PDC ENERGY

INSTRUMENT TAGS

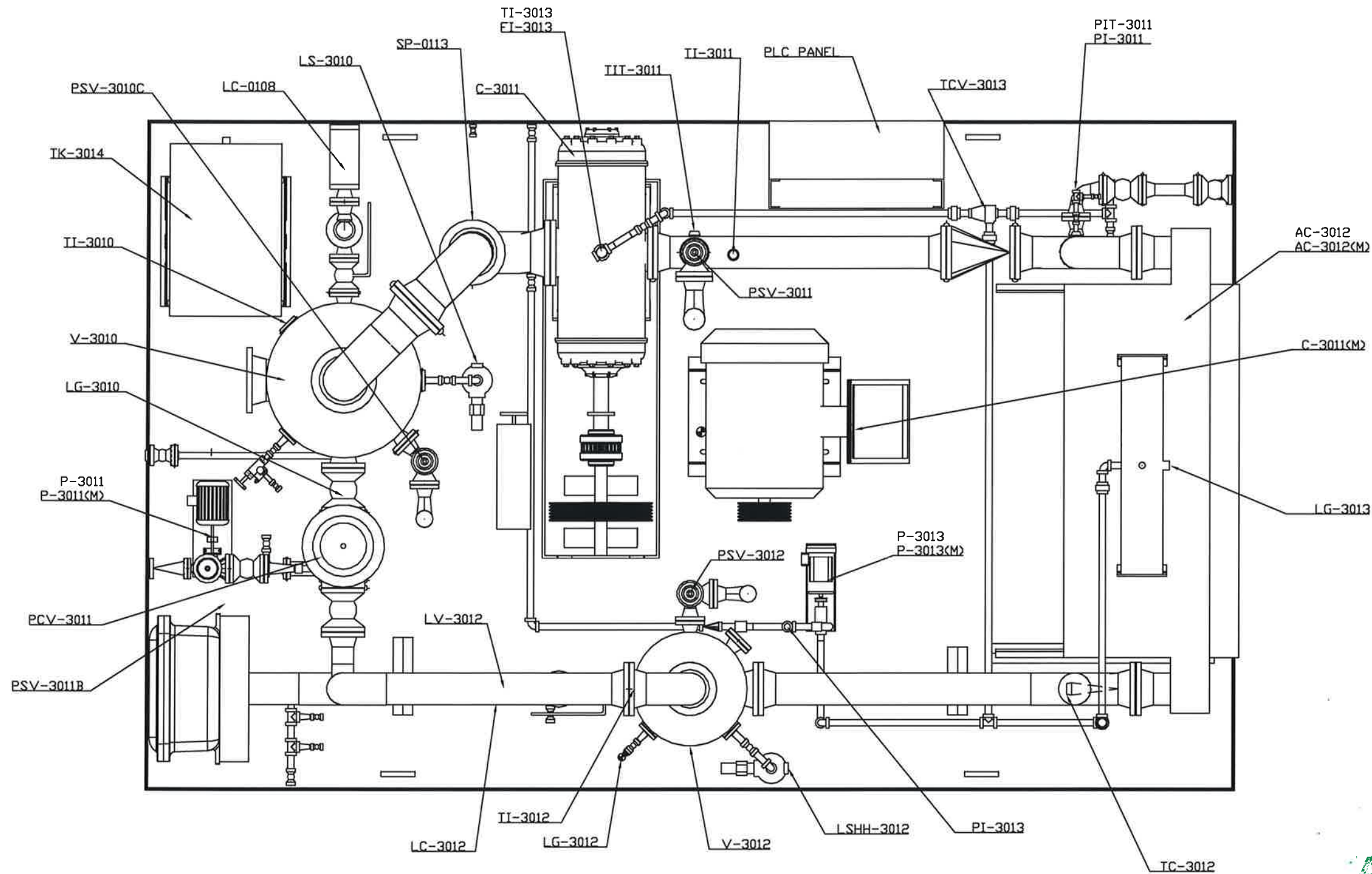
NOT SHOWN

- VT-3011A
- VT-3011B
- VT-3011C
- RTD-3011A
- RTD-3011B
- RTD-3011C
- RTD-3011D
- RTD-3011E
- RTD-3011F
- RTD-3011G
- RTD-3011H
- HTR-3011
- PCV-3012A
- PCV-3012B
- PCV-3012C
- PSE-3012C
- FS-3014
- LC-3014
- VT-3012
- MV-3012

EQUIPMENT TAGS

NOT SHOWN

- F-3011
- F-3014
- P-3014



INSTRUMENT TAG LOCATIONS

AS BUILT

CONNECTION SCHEDULE				
MARK	SIZE	RATING	FACE	SERVICE
A	8"	150#	RF	GAS INLET
B	8"	150#	RF	GAS DISCHARGE
C	1"	150#	RF	MANUAL DRAIN
D	1"	150#	RF	AUTO DRAIN (SUCTION SCRUBBER)
E	2"	2000#	F/NPT	SKID DRAIN
F	2"	150#	RF	UNIT BLOWDOWN
G	1"	2000#	F/NPT	INSTRUMENT AIR
H	1"	2000#	F/NPT	JACKET WATER DRAIN
J	1/2"	2000#	F/NPT	LUBE OIL MAKE-UP

NOTES:
SEE SHEET 4

NO.	BY	DATE	DESCRIPTION	CHK'D	APP'D
3	J.C	12/06/18	AS-BUILT	JP	JP
2	J.C	10/01/18	REVISED PER CHANGE ORDER	JP	JP
1	J.C	08/22/18	SHOW CUSTOMER CON. IN SKID CONT.	JP	JP
0	J.C	08/14/18	ISSUED FOR CONSTRUCTION	JP	JP
A	J.C	07/25/18	ISSUED FOR APPROVAL	JP	JP

HY-BON EDI
Vent Gas Management

THIS DRAWING IS PROPERTY OF HY-BON EDI 2404 COMMERCIAL ST. HOUSTON, TEXAS 77050

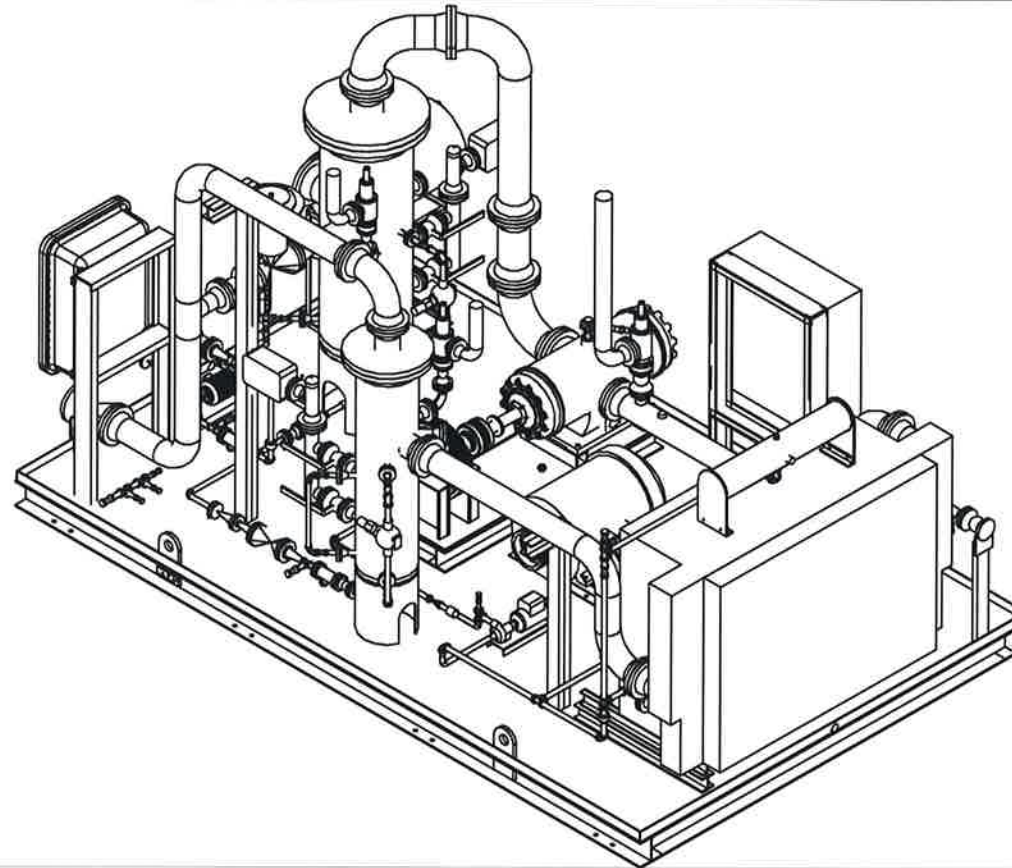
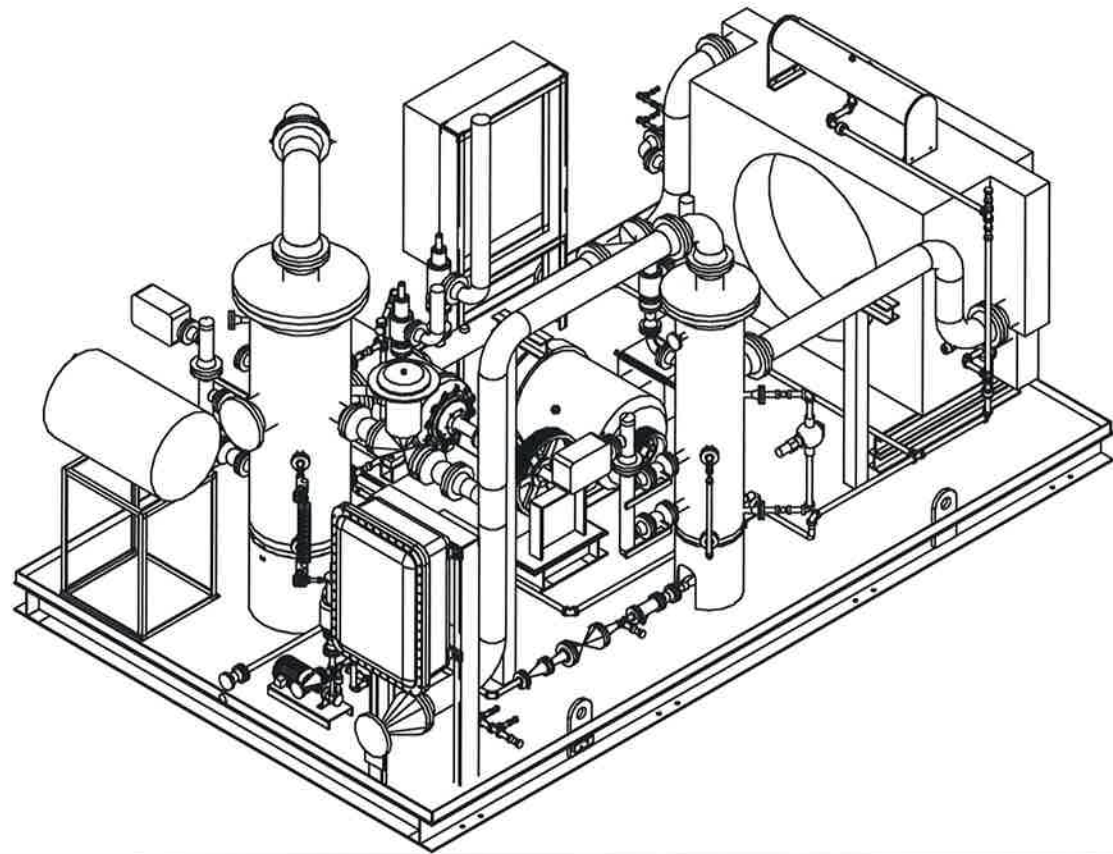
This drawing is issued in strict confidence and shall not, without the prior written permission of Hy-Bon EDI, be reproduced, copied, or used for any purpose whatsoever except the manufacture of articles for Hy-Bon EDI.

GENERAL ARRANGEMENT

INSTRUMENT TAG LOCATIONS
HB-12L-150-12BV

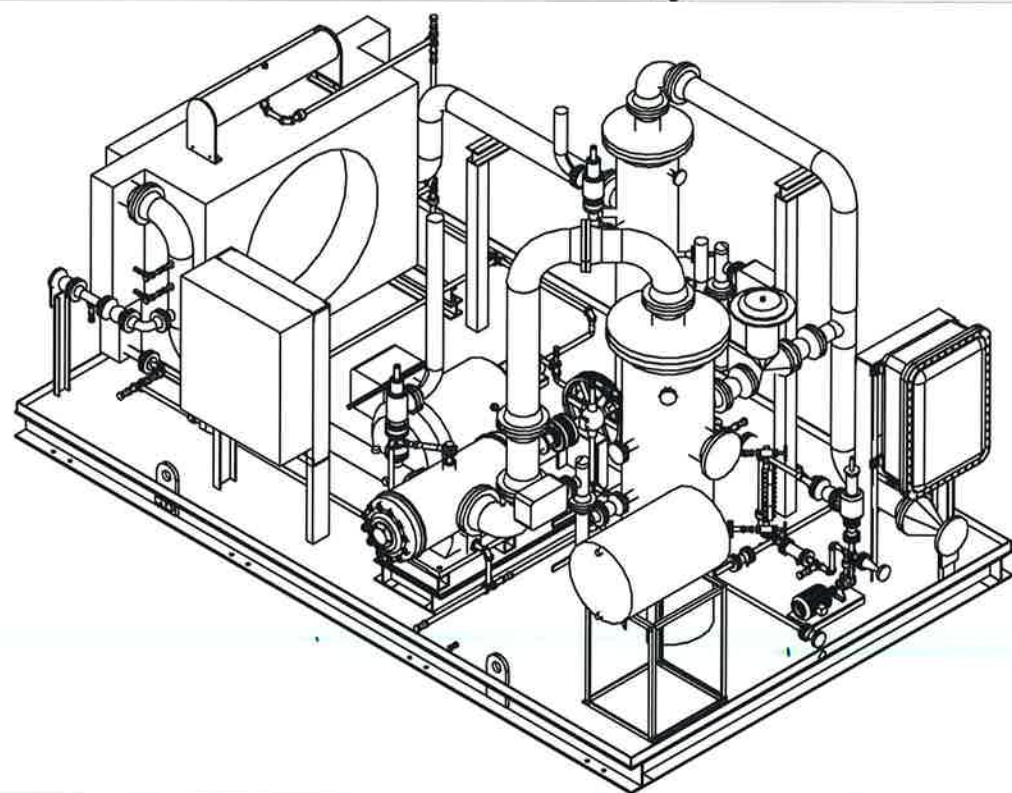
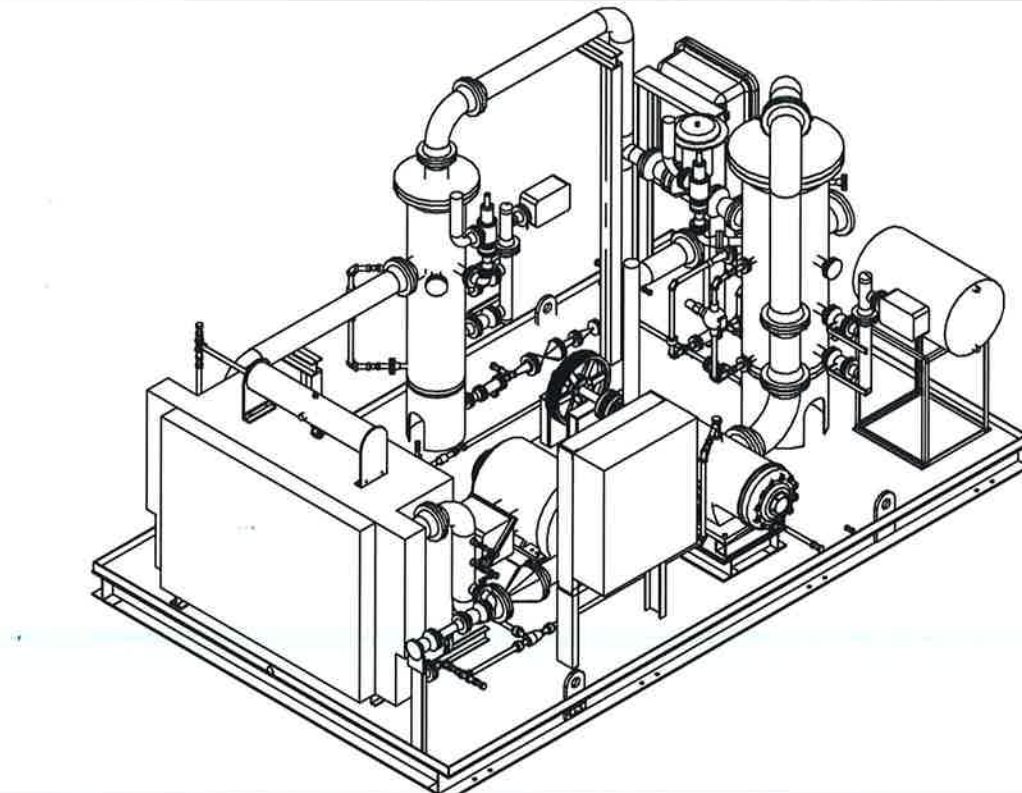
DRAWN: J.C	DATE: 07/25/18	SCALE: N/A	CHK'D: JP	APP'D: JP	W.O. NO.: 112449
------------	----------------	------------	-----------	-----------	------------------

CUSTOMER:
PDC ENERGY



- NOTES:**
- PLC PANEL ON SKID MOUNTED IN A NEMA 4X ENCLOSURE CLASS 1, DIV 2 W/ 20% SPARE TERMINALS.
 - PLC PANEL COMPONENTS TO BE LABELED AS PER PDCE-GBL-042-00.001.
 - SKID WIRING TO BE CLASS 1 DIV 2 CONDUIT SHALL BE 3/4" MIN W/ WIRE MARKERS ON END DEVICES W/ INSTRUMENT TAG # USING 'FROM/TO' CONVENTION.
 - MAIN DRIVER TECO IEEE 841 W/ 120 VAC HEATER & BEARING & WINDING RTDS.
 - SWAGELOK FITTINGS ALL TUBING AND FITTING TO BE 316SS.
 - TUBING TO BE 1/2", TUBING CLIP SPACING SHALL NOT EXCEED 4 FEET.
 - SKID TO BE DECKED CHECKERED DECK PLATE W/ 3" DRIP LIP & 2" DRAINS, LIFT LUGS.
 - LIFT LUGS TO BE 100% MT OR PT.
 - SKID TO HAVE ANCHOR AND JACK BOLTS (X4) & GROUND LUGS (X2 OPPOSITE SIDES).
 - SKID PER AWS D1.1
 - PAINT PER CUSTOMER SPEC PDCE-GBL-032-00.002 H1 PAINT SYSTEM FOR INSULATED PIPING GREATER THAN 200°F, A PAINT SYSTEM FOR UN-INSULATED PIPING.
 - SANDBLAST ALL SURFACES TO BE PAINTED TO SSPC-SP10 FOR H1 PAINT SYSTEM AND SSPC-SP6 FOR A PAINT SYSTEM.
 - THE FOLLOWING SURFACES SHALL NOT BE COATED: ZINC OR TEFLON COATED FLANGE STUD BOLTS, STAINLESS STEEL, RUBBER, TUBING, FLEXIBLE HOSES, SIGHT-GLASSES, GAUGE FACES AND BODIES, NAMEPLATES, CONTROL VALVE TRAVEL AND POSITION INDICATORS, ELECTRICAL ENCLOSURES & VALVE POSITION INDICATORS.
 - CARLSBAD CANYON PAINT COLOR.
 - PIPING TO BE ASME B31.3, HYDRO 1.5X FOR 1 HOURS, BW TO BE 100% X-RAYED, SW TO BE 100% MT OR PT.
 - PROCESS PIPING TO BE ACL, INSTRUMENT AIR PIPING TO BE ACM, JACKET WATER PIPING TO BE ACP.
 - PIPING 2" & LARGER = FLANGED.
 - PIPING COLD SPRING TEST REQUIRED.
 - PIPING NIPPLES FROM PIPING & EQUIPMENT TO BE SCH 160 TO THE FIRST VALVE AS PER PDCE-GBL-032-00.001
 - PROCESS PIPING (SPEC ACM) THRED-O-LETS 1/2" ASTM A105 CLASS 6000 3/4" - 1 1/2" ASTM A105 CLASS 3000, NIPPLES & SWEDGES 1/2" - 1 1/2" ASTM A106 SCH 160, SOCK-O-LETS 1/2" ASTM A105 CLASS 6000 3/4" - 1 1/2" ASTM A105 CLASS 3000, 2" FLANGES CLASS 150 RF ASTM A105.
 - INSTRUMENT AIR PIPING (SPEC ACL) THRED-O-LETS 1/2" - 1 1/2" ASTM A105 CLASS 3000, NIPPLES & SWEDGES 1/2" - 1 1/2" ASTM A106 SCH 160, SOCK-O-LETS 1/2" - 1 1/2" ASTM A105 CLASS 3000, 2" FLANGES CLASS 150 RF ASTM A105.
 - JACKET WATER PIPING (SPEC ACP) FITTINGS 1/2" - 4" ASTM A105 CLASS 3000, NIPPLES & SWEDGES 1/2" - 4" ASTM A106 SCH 160, 2" FLANGES CLASS 150 RF ASTM A105.
 - 5 WORKING DAYS' NOTICE PRIOR TO HOLD POINTS & TEST.
 - ALL MATERIALS FROM NORTH AMERICA & WESTERN EUROPE.
 - PIPING ABOVE 140°F TO BE INSULATED FOR PERSONAL PROTECTION, HEAT TRACE AND INSULATION FOR LIQUID DRAIN PIPING.
 - INSULATION & HEAT TRACE TO BE AS PER PDCE-GBL-032-00.003.
 - VESSELS HYDRO 1.5X FOR 1 HOURS, 100% OF WELD TO BE X-RAYED.
 - HEAT EXCHANGER TO MEET API 661.
 - FLEXITALLIC GASKETS. (304 SS GRAPHITE FILLED 1/8" THICK W/ 304 SS IR)
 - CAD PLATED STUDS & NUTS B7/2H.
 - NO PLASTICATING.
 - PSV'S SIZED PER API 520/521 & APPLICABLE ASME VIII DIV 1 STANDARDS.
 - ROSEMOUNT PRESSURE & TEMPERATURE TRANSMITTERS.
 - BYPASS VALVE FISHER GX 2-WAY TO BE CONTROLLED BY ADV2000 I/P CONTROLLER.
 - MTR'S REVIEW REQUIRED ON ALL MATERIALS.
 - NO YELLOW METALS OR MALLEABLE IRON.
 - ALL CUSTOMER CONNECTIONS TO BE INSIDE SKID CONTAINMENT.

AS BUILT



CONNECTION SCHEDULE

MARK	SIZE	RATING	FACE	SERVICE
A	8"	150#	RF	GAS INLET
B	8"	150#	RF	GAS DISCHARGE
C	1"	150#	RF	MANUAL DRAIN
D	1"	150#	RF	AUTO DRAIN (SUCTION SCRUBBER)
E	2"	2000#	F/NPT	SKID DRAIN
F	2"	150#	RF	UNIT BLOWDOWN
G	1"	2000#	F/NPT	INSTRUMENT AIR
H	1"	2000#	F/NPT	JACKET WATER DRAIN
J	1/2"	2000#	F/NPT	LUBE OIL MAKE-UP

NOTES:
SEE SHEET 4

NO.	BY	DATE	DESCRIPTION	CHK'D	APP'D
3	J.C	12/06/18	AS-BUILT	JP	JP
2	J.C	10/01/18	REVISED PER CHANGE ORDER	JP	JP
1	J.C	08/22/18	SHOW CUSTOMER CON. IN SKID CONT.	JP	JP
0	J.C	08/14/18	ISSUED FOR CONSTRUCTION	JP	JP
A	J.C	07/25/18	ISSUED FOR APPROVAL	JP	JP

HYBON EDI
Vent Gas Management
THIS DRAWING IS PROPERTY OF HYBON EDI, 2404 COMMERCE ST. MIDLAND, TEXAS 79703
This drawing is issued in strict confidence and shall not, without the prior written permission of Hybon EDI, be reproduced, copied, or used for any purpose whatsoever except the manufacture of articles for Hybon EDI.

GENERAL ARRANGEMENT

ISO VIEW / NOTES
HB-12L-150-12BV

DRAWN: J.C	DATE: 07/25/18	SCALE: N/A	CHK'D: JP	APP'D: JP	W.O. NO.: 112449
------------	----------------	------------	-----------	-----------	------------------

CUSTOMER: **PDC ENERGY**

DWG. NO.: 112449-02-004 4 OF 4 REV. 3