

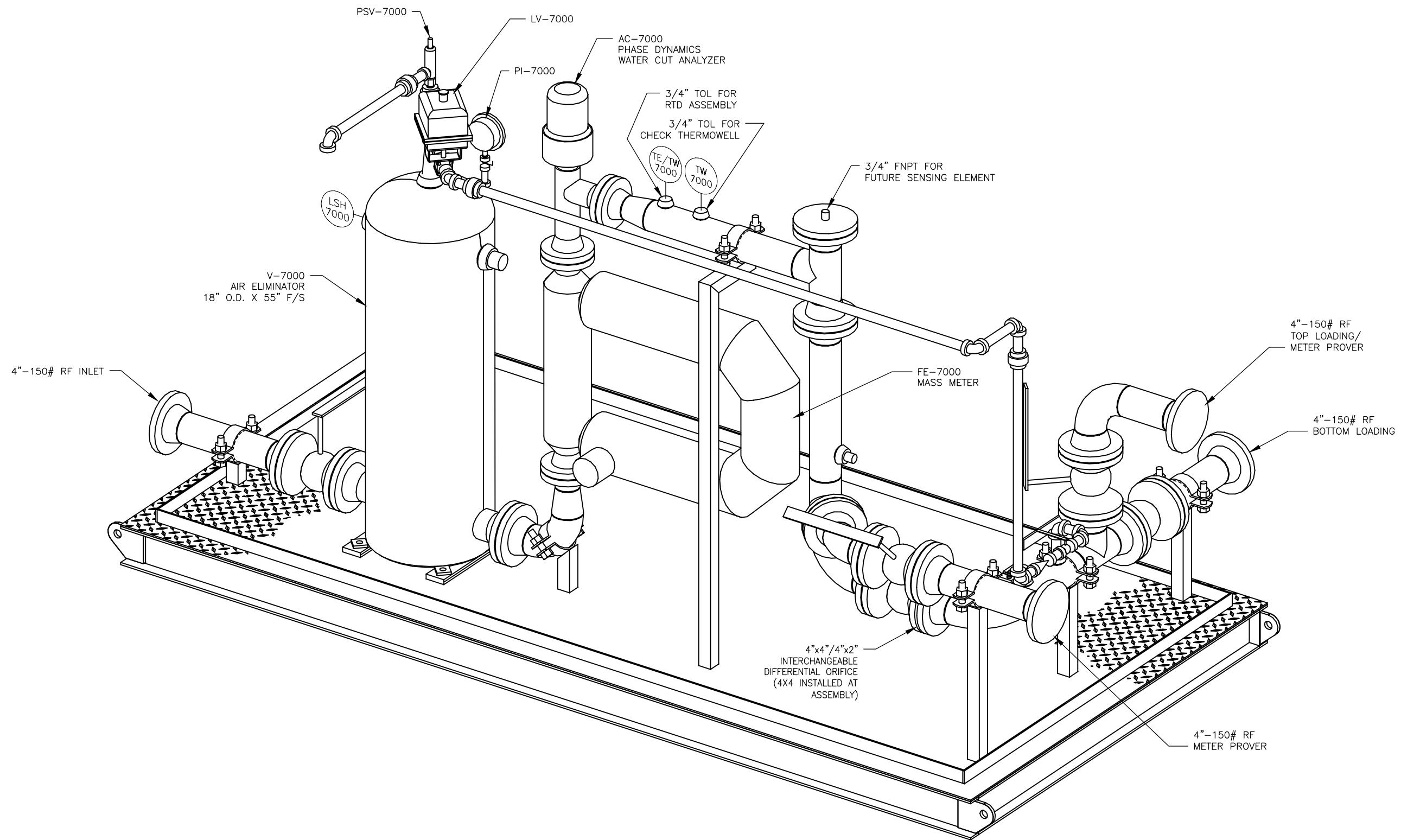
NOTES:
1. ALL DIMENSIONS ARE IN INCHES

THIS DRAWING CONTAINS ROTATING RIGHT CORPORATION PROPRIETARY AND CONFIDENTIAL INFORMATION AND IS LOANED FOR LIMITED PURPOSES ONLY AND REMAINS THE PROPERTY OF ROTATING RIGHT INC. IT MAY NOT BE REPRODUCED IN WHOLE OR IN PART WITHOUT THE WRITTEN PERMISSION OF ROTATING RIGHT INC. AND MUST NOT BE DISCLOSED TO PERSONS NOT HAVING NEED OF SUCH DISCLOSURE CONSISTENT WITH THE PURPOSE OF THE LOAN. THE DOCUMENT MUST BE RETURNED TO ROTATING RIGHT UPON REQUEST AND IN ALL EVENTS UPON COMPLETION OF THE USE FOR WHICH IT WAS LOANED.

REV.	DATE	DESCRIPTION	BY	CHK.
0	JUN 17/13	ISSUED FOR CONSTRUCTION	ANT	MWH
1	AUG 22/13	AS BUILT	ANT	MWH


PACKAGE-ISOMETRIC 'A'
 SKY EYE MEASUREMENT INC.
 TORQ TRANSLOADING METER #22

QUOTE: 2013-307
JOB NUMBER: J-12225
DATE: JUN 17/13
DWN: ANT
SCALE: NTS
DRAWING NO: B-GA-307-101



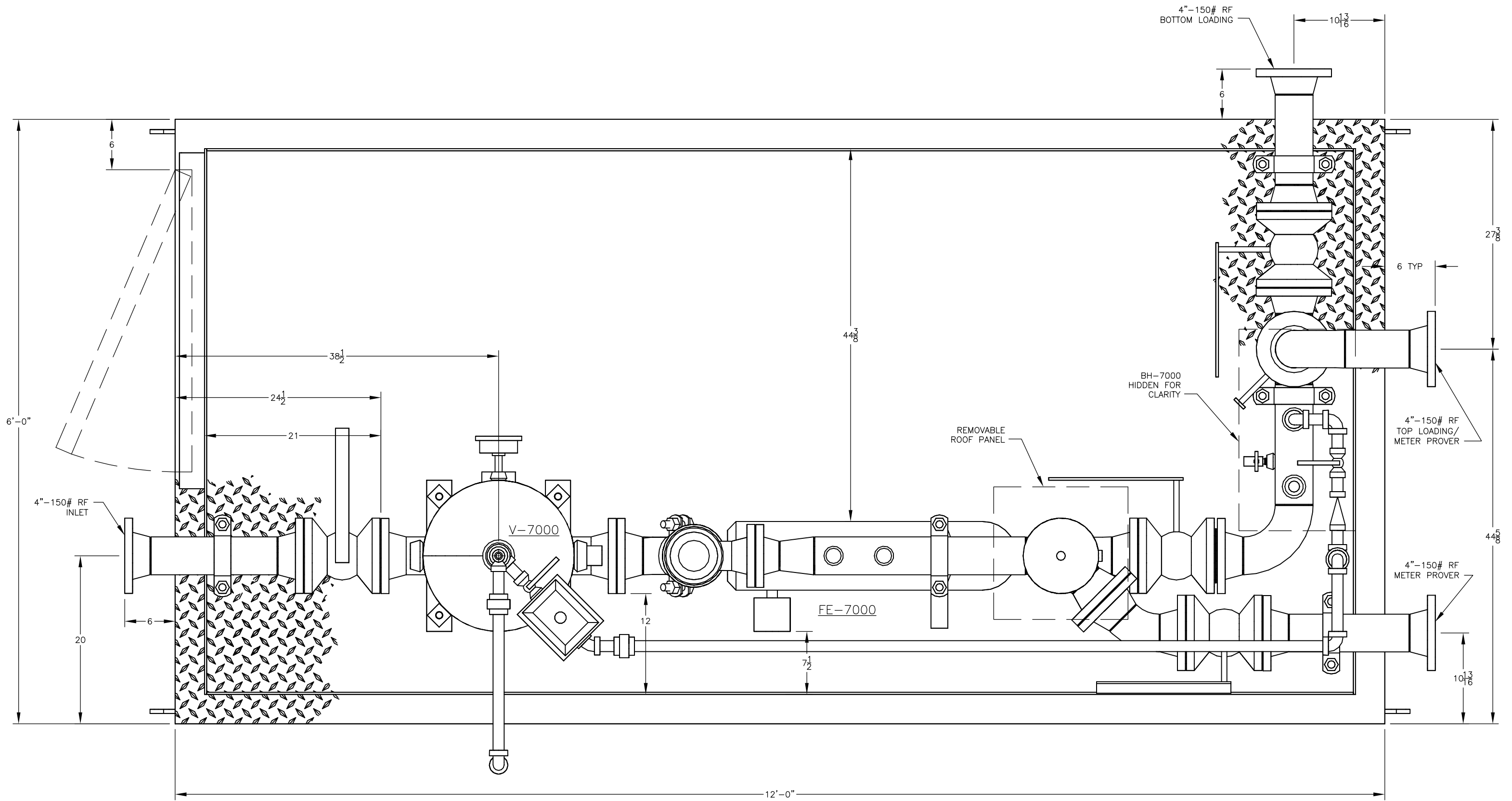
THIS DRAWING CONTAINS ROTATING RIGHT CORPORATION PROPRIETARY AND CONFIDENTIAL INFORMATION AND IS LOANED FOR LIMITED PURPOSES ONLY AND REMAINS THE PROPERTY OF ROTATING RIGHT INC. IT MAY NOT BE REPRODUCED IN WHOLE OR IN PART WITHOUT THE WRITTEN PERMISSION OF ROTATING RIGHT INC. AND MUST NOT BE DISCLOSED TO PERSONS NOT HAVING NEED OF SUCH DISCLOSURE CONSISTENT WITH THE PURPOSE OF THE LOAN. THE DOCUMENT MUST BE RETURNED TO ROTATING RIGHT UPON REQUEST AND IN ALL EVENTS UPON COMPLETION OF THE USE FOR WHICH IT WAS LOANED.

REV.	DATE	DESCRIPTION	BY	CHK.
0	JUN 17/13	ISSUED FOR CONSTRUCTION	ANT	MWH
1	AUG 22/13	AS BUILT	ANT	MWH




PACKAGE-ISOMETRIC 'B'
SKYEYE MEASUREMENT INC.
TORQ TRANSLOADING METER #22

QUOTE: 2013-307
JOB NUMBER: J-12225
DATE: JUN 17/13
DWN: ANT
SCALE: NTS
DRAWING NO: B-GA-307-102



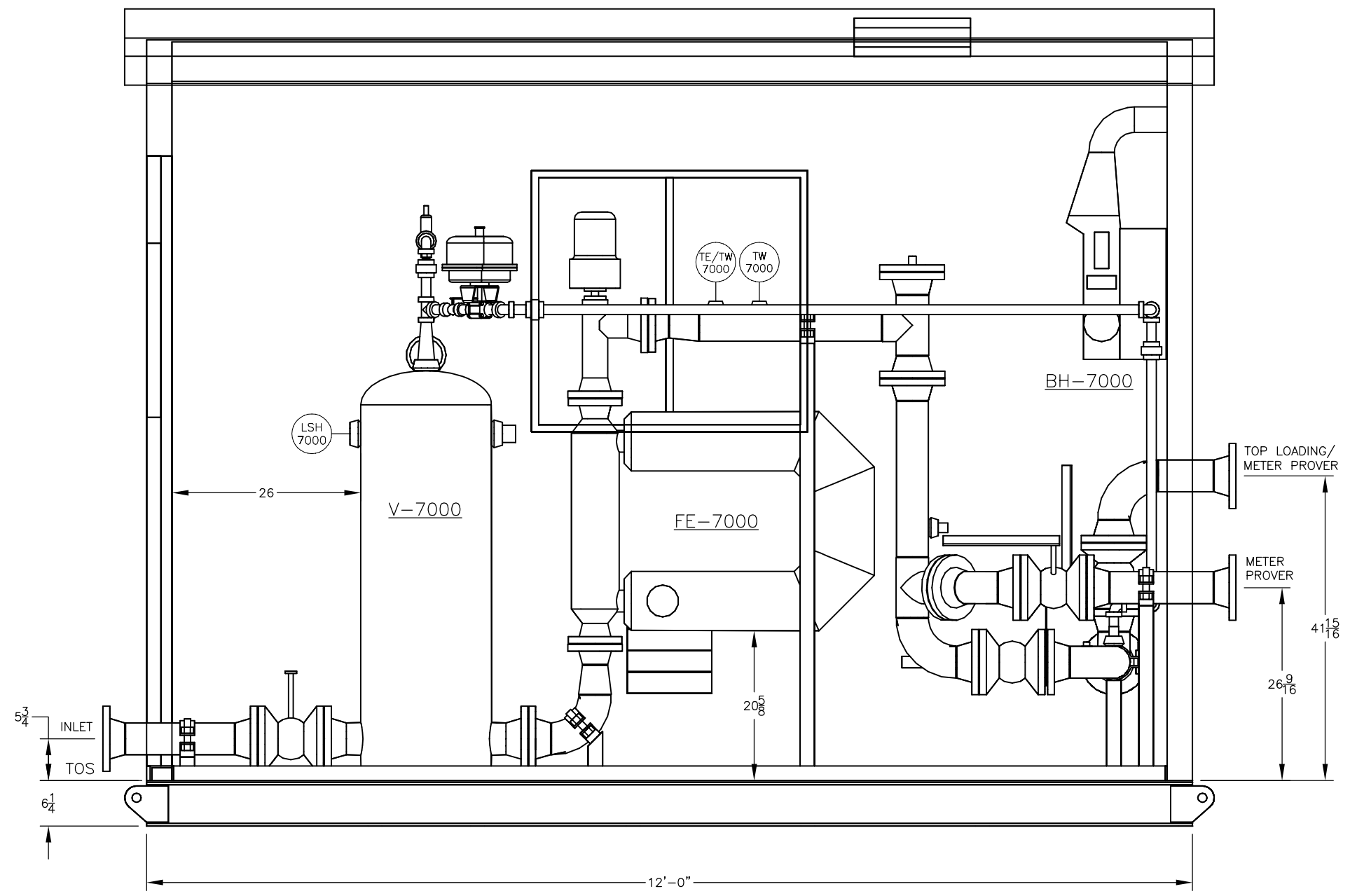
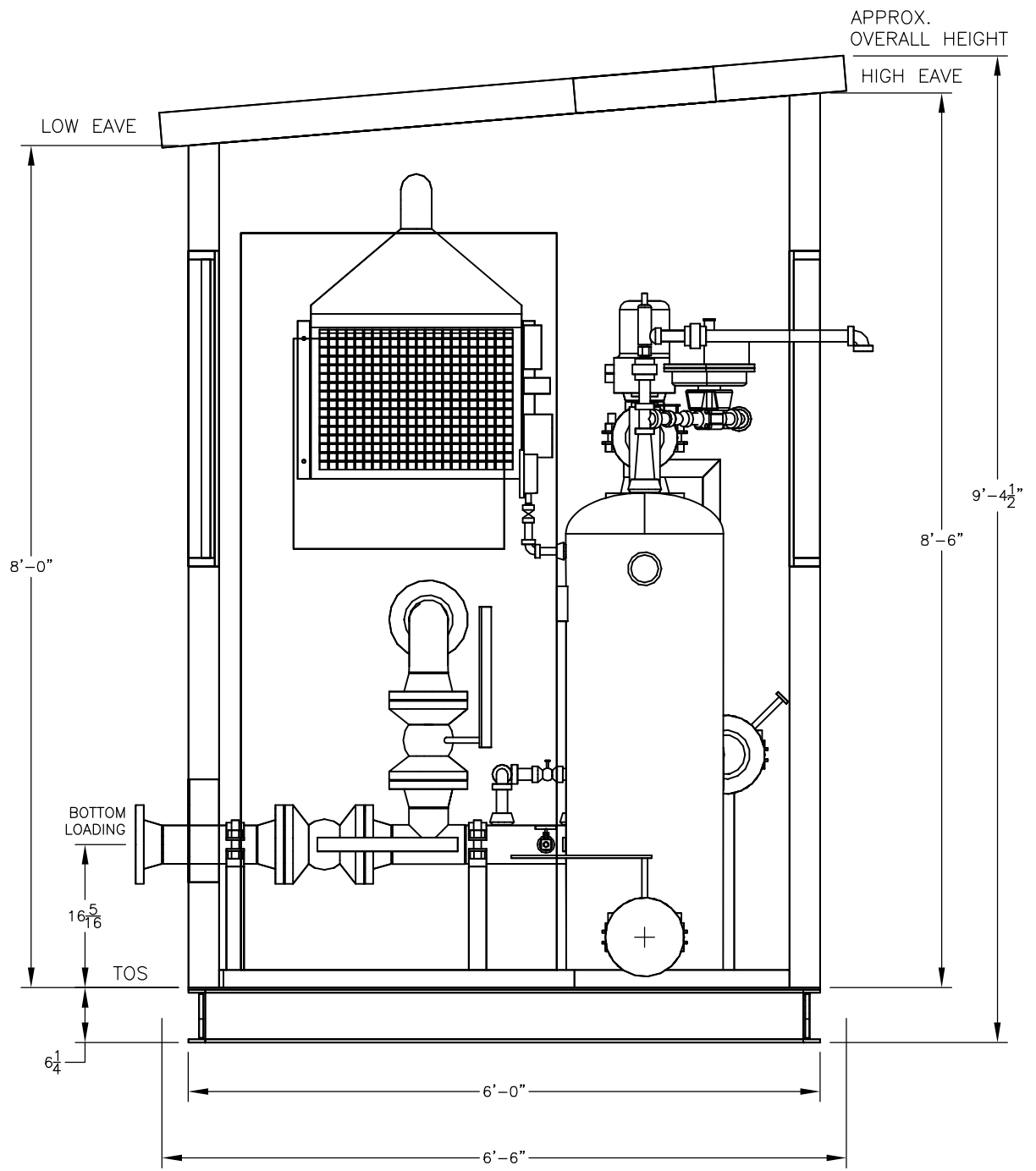
THIS DRAWING CONTAINS ROTATING RIGHT CORPORATION PROPRIETARY AND CONFIDENTIAL INFORMATION AND IS LOANED FOR LIMITED PURPOSES ONLY AND REMAINS THE PROPERTY OF ROTATING RIGHT INC. IT MAY NOT BE REPRODUCED IN WHOLE OR IN PART WITHOUT THE WRITTEN PERMISSION OF ROTATING RIGHT INC. AND MUST NOT BE DISCLOSED TO PERSONS NOT HAVING NEED OF SUCH DISCLOSURE CONSISTENT WITH THE PURPOSE OF THE LOAN. THE DOCUMENT MUST BE RETURNED TO ROTATING RIGHT UPON REQUEST AND IN ALL EVENTS UPON COMPLETION OF THE USE FOR WHICH IT WAS LOANED.

REV.	DATE	DESCRIPTION	BY	CHK.
0	JUN 17/13	ISSUED FOR CONSTRUCTION	ANT	MWH
1	AUG 22/13	AS BUILT	ANT	MWH



PACKAGE-PLAN
 SKYEYE MEASUREMENT INC.
 TORQ TRANSLOADING METER #22

QUOTE: 2013-307	JOB NUMBER: J-12225
DATE: JUN 17/13	DWN: ANT
SCALE: NTS	DRAWING NO:
B-GA-307-103	



THIS DRAWING CONTAINS ROTATING RIGHT CORPORATION PROPRIETARY AND CONFIDENTIAL INFORMATION AND IS LOANED FOR LIMITED PURPOSES ONLY AND REMAINS THE PROPERTY OF ROTATING RIGHT INC. IT MAY NOT BE REPRODUCED IN WHOLE OR IN PART WITHOUT THE WRITTEN PERMISSION OF ROTATING RIGHT INC. AND MUST NOT BE DISCLOSED TO PERSONS NOT HAVING NEED OF SUCH DISCLOSURE CONSISTENT WITH THE PURPOSE OF THE LOAN. THE DOCUMENT MUST BE RETURNED TO ROTATING RIGHT UPON REQUEST AND IN ALL EVENTS UPON COMPLETION OF THE USE FOR WHICH IT WAS LOANED.

REV.	DATE	DESCRIPTION	BY	CHK.
0	JUN 17/13	ISSUED FOR CONSTRUCTION	ANT	MWH
1	AUG 22/13	AS BUILT	ANT	MWH

SKYEYE
MEASUREMENT

PACKAGE-ELEVATION
SKYEYE MEASUREMENT INC.
TORQ TRANSLOADING METER #22

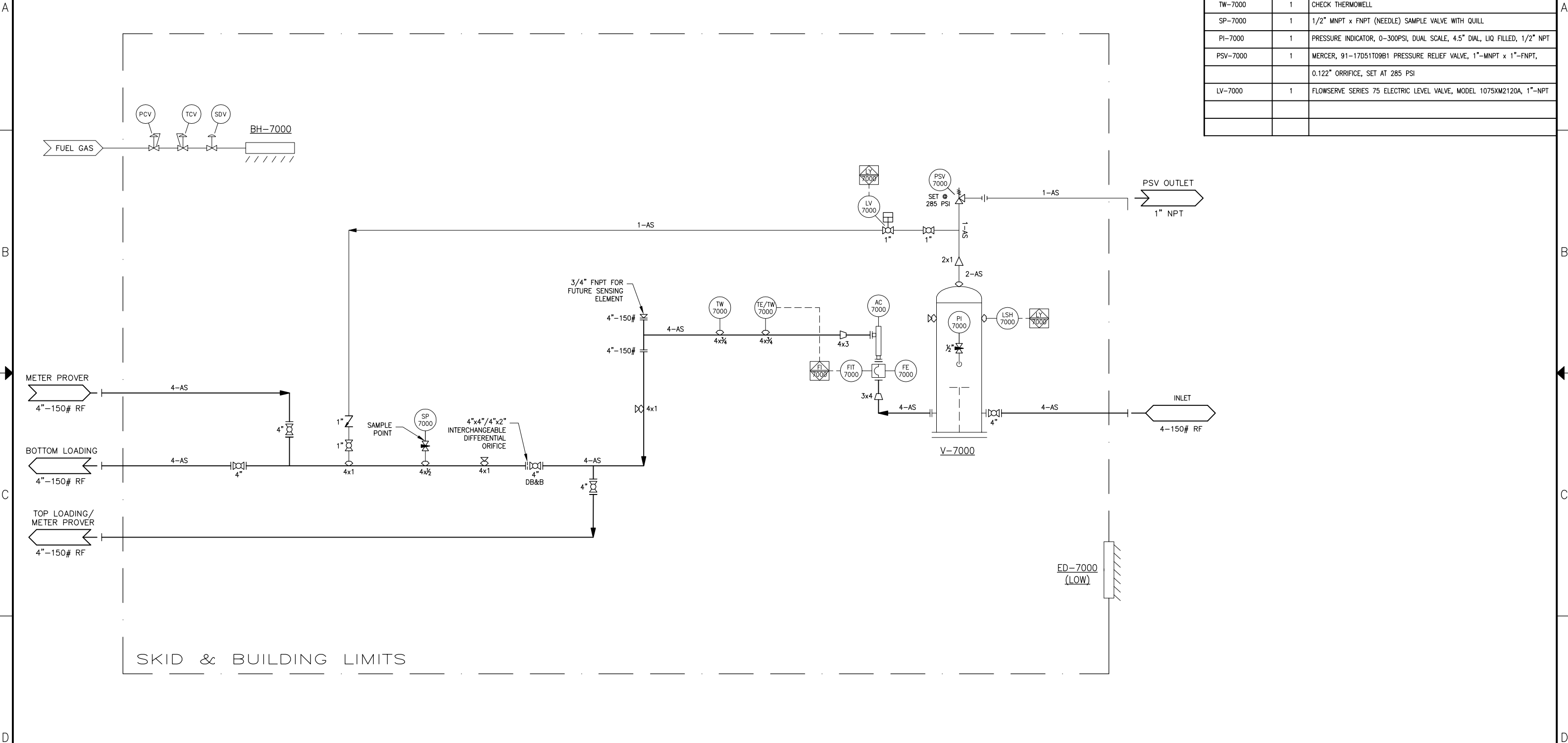
QUOTE: 2013-307
JOB NUMBER: J-12225
DATE: JUN 17/13
DWN: ANT
SCALE: NTS
DRAWING NO: **B-GA-307-104**

V-7000
AIR ELIMINATOR
4"-150 ANSI
18" O.D. X 55" F/S
S/N 12891, CRN V6461.2
285 PSI @ -20/100°F
0.125" C.A.

ED-7000
EXHAUST LOUVRE,
MANUAL ADJUSTMENT.
12"x12", c/w
BIRDSCREEN

BH-7000
CATADYNE HEATER
MODEL W1224-111211
12"x24"

BILL OF MATERIALS		
ITEM	QTY.	DESCRIPTION
FE/FIT-7000	1	MICROMOTION MASS METER, CMF300M355N2BAEZZZ, 3"-150# RF CONNECTIONS
LSH-7000	1	ROSEMOUNT LEVEL SWITCH 2120 SQUIG, 3/4" NPT CONNECTION
AC-7000	1	PHASE DYNAMICS WATER CUT ANALYZER, MODEL LL1R3021XSX32B, 3"-150# RF
TE/TW-7000	1	RTD ASSEMBLY- 100 Ω C/W THERMOWELL
TW-7000	1	CHECK THERMOWELL
SP-7000	1	1/2" MNPT x FNPT (NEEDLE) SAMPLE VALVE WITH QUILL
PI-7000	1	PRESSURE INDICATOR, 0-300PSI, DUAL SCALE, 4.5" DIAL, LIQ FILLED, 1/2" NPT
PSV-7000	1	MERCER, 91-17D51T09B1 PRESSURE RELIEF VALVE, 1"-MNPT x 1"-FNPT, 0.122" ORRIFICE, SET AT 285 PSI
LV-7000	1	FLOWSERVE SERIES 75 ELECTRIC LEVEL VALVE, MODEL 1075XM2120A, 1"-NPT



SKID & BUILDING LIMITS

LINE NUMBER 4-AS
LINE SIZE 4-AS
SPECIFICATION
NORMAL SPECIFICATION
AS = SOUR SERVICE, CLASS 150 RF

THIS DRAWING CONTAINS ROTATING RIGHT CORPORATION PROPRIETARY AND CONFIDENTIAL INFORMATION AND IS LOANED FOR LIMITED PURPOSES ONLY AND REMAINS THE PROPERTY OF ROTATING RIGHT INC. IT MAY NOT BE REPRODUCED IN WHOLE OR IN PART WITHOUT THE WRITTEN PERMISSION OF ROTATING RIGHT INC. AND MUST NOT BE DISCLOSED TO PERSONS NOT HAVING NEED OF SUCH DISCLOSURE CONSISTENT WITH THE PURPOSE OF THE LOAN. THE DOCUMENT MUST BE RETURNED TO ROTATING RIGHT UPON REQUEST AND IN ALL EVENTS UPON COMPLETION OF THE USE FOR WHICH IT WAS LOANED.

REV.	DATE	DESCRIPTION	BY	CHK.	PIPING SPECIFICATION: RRS01
0	JUN 17/13	ISSUED FOR CONSTRUCTION	ANT	MWH	CATEGORY: SOUR
1	AUG 22/13	AS BUILT	ANT	MWH	DESIGN OPERATING TEMP: -20/100°F(-29/38°C)
					DESIGN SUCTION PRES: 285 PSI (1965 kPa)
					DESIGN DISCHARGE PRES: N/A
					PAINT CODE: RRSPS
					STRESS RELIEF: NONE
					RADIOGRAPHY: 100%
					INT. COATING: NONE

SKYEYE MEASUREMENT

PROCESS & INSTRUMENTATION DIAGRAM
SKYEYE MEASUREMENT INC.
TORQ TRANSLOADING METER #22

QUOTE: 2013-307
JOB NUMBER: J-12225
DATE: JUN 17/13
DWN: ANT
SCALE: NTS
DRAWING NO: B-PD-307-101



Truck Unload Information Sheet

Date: February 21,2014	Pipe Size: 3"
Company: Torq Transloading	Skid #: J-12226
Welding Manufacturer: Rotating Right	Unit #: S-1017 (TT-22)
Flow Meter	Water Cut Analyzer
Manufacturer: Micro Motion	Manufacturer: Phase Dynamics
Model: CM300M355N2BAEZZZ	Model: LL1R3021XSX32
Serial #: 14326580	Serial #: 6676
Vessel	RTD
PE: 12891	Manufacturer: Rosemount
CRN: V6461.2	Model: 79
A: 614500	Serial #: 157521
PSV	Vessel Level Switch
Manufacturer: Mercer Valve	Manufacturer: Rosemount
CRN: 0G8841.5C	Model: 2120D1DVEYM0150
Serial # : 101T1B1	Serial #: JBE1028677
Set Point:285PSI Date:08-13	Pressure Transmitter
Ground Permissive Interlock	Manufacturer: Rosemount
Manufacturer: Spartan	Model: 2088G2S22A1C6
Model: G.P.I	Serial #: 0527885
Serial #: 06062/1-11	Electrical Panel
Vessel Level Valve	Manufacturer: Spartech Manufacturing
Manufacturer: Flowserve	Model: RTU Floboss 107
Model: 10 75 W 120A (75 Series)	Serial #: DD18270/1-5
Serial #: L992905	Heater
Flow Transmitter	Manufacturer: Cata-Dyne
Manufacturer: Micro Motion	Model: W1224-111211
Model: 2700R12ABAEZCZ	Serial #: 477824
Serial #: 3237176	Source:
High Level Switch	Alarm Panel
Manufacturer: Kayden	Manufacturer: Schneider Electric
Model: S10RAD0012C1B0A3E	Model: SR3B101B2 & SR3XT43B2
Serial #: 7327C5117	HMI
Additional Notes:	Model: HMISTO501
	Serial #: 123243F003903