

PDC ENERGY
PDC-1000
IE JOB# 217250-1-1



- 1511 SOUTH HIGHWAY 6, PRICE, UT 84501
PHONE: (435) 637-7160 FAX: (435) 637-9601
- 8221 EAST 96TH AVE, UNIT A, HENDERSON, CO 80640
PHONE: (720) 409-1000
- 100 VALLEY DRIVE, SOUTHPOINT, OH 45680
PHONE: (740) 414-4770 FAX: (606) 644-0432
- 400 SWAN AVENUE, CENTRALIA, IL 62801
PHONE: (618) 214-1063 FAX: (606) 644-0442

AS BUILT

PDC ENERGY
PDC-1000

REVISIONS

Rev:	Date:	Description:	By:	Approved:
FR 2.0	8/30/2018	ISSUED FOR REVIEW 2.0 - UPDATED PER P. E. L. REDLINES DATED 8/29/2018	WR	JY
FR 3.0	9/4/2018	ISSUED FOR REVIEW 3.0 - UPDATED PER P. E. L. AND ENGINEER REDLINES DATED 8/31/2018	WR	JY
IFC 1.0	9/7/2018	ISSUED FOR CONSTRUCTION	WR	JY
AS BUILT	10/25/2018	AS BUILT	WR	JY
			NA	NA
			NA	NA
			NA	NA

DRAWN BY: wrasmussen
 ENGINEERED BY: J.S.Y., M.E.
 APPROVED BY: _____
 DATE: 7/25/2018
 PROJECT NO. 217250-1-1 REV. IFC 1.0

DRAWING NO. M-1
 SHT 1 OF 45

End-User:
PDC Energy
Pecos, TX 79772
USA

Site Location:
Pecos, TX 79772
USA

IE Job number: 217250-1-1

Sheet Index:

- M-1- Cover Sheet
- M-2- Building Notes
- M-3- Exterior Front & Rear Elevations
- M-4- Exterior Left & Right Elevations
- M-5- Equipment Layout – Plan View
- M-6- Equipment Layout – Front Wall
- M-7- Equipment Layout – Rear Wall
- M-8- Equipment Layout – End Walls
- M-9- Cable Tray Layout
- M-10- Cable Tray Details
- M-11- Perimeter Channel Cut List
- M-12- Foundation Details
- M-13- Insulation Details
- M-14- Siding Attachment
- M-15- Wall Panel Connection
- M-16- Skid Layout
- M-17- Floor Openings
- M-18- Skid Cut List
- M-19- Skid Cut List Details
- M-20- Platform Connection Plates
- M-21- Weld Details
- M-22- Bend Information
- M-23- Bend Information
- M-24- Bend Information
- M-25- Bend Information
- M-26- Platforms/Stairs
- M-27- Standard Platform Weld Details
- M-28- Grating Details
- M-29- 3' x 4.5' LS Landing
- M-30- 3' x 4.5' LS Landing Cut List
- M-31- 3' x 4.5' RS Landing
- M-32- 3' x 4.5' RS Landing Cut List
- M-33- 6' x 12' LS Landing
- M-34- 6' x 12' LS Landing Cut List
- M-35- 6' x 12' RS Landing
- M-36- 6' x 12' RS Landing Cut List
- M-37- Handrail Details
- M-38- LS Stair Run
- M-39- LS Stair Run Parts List
- M-40- LS Stair Run Cut List
- M-41- RS Stair Run
- M-42- RS Stair Run Parts List
- M-43- RS Stair Run Cut List
- M-44- Lift Plan
- M-45- Lifting Eye Detail

Design Criteria:

- Occupancy Risk Category: III
- Occupancy Type: S-2
- Construction Type: V-B
- Fire Separation Distance: >= 10 ft.
- Number of Stories: 1
- Design Occupant Load: 3
- Area: 650 sq. ft.
- Shipping Weight: 63,500 lbs.
- Shipping Dimensions: 13'-1 1/2" H x 13'-11" W x 51'-1 1/2" L (excludes ship loose HVAC's, future field installed equipment, and cable tray)
- Building Dimensions: 13'-1 1/2" H x 13'-0" W x 50'-0" L
- This building is a stand-alone structure
- Building Codes: 2015 International Building Code with Texas Amendments, ASHRAE 90.1-2013, 2015 International Mechanical Code with Texas Amendments, 2014 National Electrical Code with Texas Amendments, AISI S100-2012, AWS D1.1, AWS D1.3
- Roof Snow Load: 30 psf
- Roof Live Load: 20 psf
- Interior Cable Tray Load: 100 plf max.
- Exterior Cable Tray Load: 60 plf max.
- Floor Live Load: 250 psf
- Wind Load: Wind Velocity: 120 mph, Exposure: C, ASCE 7-10
- Ground Snow Load: 30 psf, Snow Load Importance Factor $I_s = 1.1$
- Seismic Design Category: B, Seismic Importance Factor $I_E = 1.25$, ASCE 7-10
- Seismic Site Class: D, $S_s = 0.152$, $S_1 = 0.048$, $S_{DS} = 0.162$, $S_{D1} = 0.077$, $C_s = 0.101$, $R = 2.0$
- Seismic Force Resisting System: Light frame steel walls with preformed steel sheeting
- Seismic Analysis Procedure: Equivalent Lateral Force
- Base Shear: $V = 14,532$ lbs (Seismic)
- Base Shear: $V = 21,085$ lbs (Wind)
- Structural Steel:

SHAPE	STANDARD	Fy (ksi)
Rolled wide flange sections	ASTM A992	50
Rolled channel sections	ASTM A572 GR.50 or ASTM A992	50
Other standard steel shapes and rolled sections	ASTM A36	36
Cold-formed steel sections	ASTM A1011 CS Type B	30
Bars and plates	ASTM A36	36
Pipes	ASTM A501	36
Hollow Structural sections (Rect.)	ASTM A500, Grade B	46
Hollow Structural Sections (Round)	ASTM A500, Grade B	42
Bolts	ASTM A325X	-
Nuts	ASTM A563	-
Washers	ASTM F436	-
Anchor rods	ASTM F1554, Grade 36	36

ATTENTION LOCAL INSPECTION DEPARTMENT

The following items have not been completed by Intermountain Electronics and are not certified by the Texas Label. Code compliance must be determined at the local level:

On Site Work:

1. Electrical Service Hook UP
2. Complete Foundation Support & Tie Down
3. HVAC Reinstallation
4. Platform and Stair Installation

SPECIAL CONDITIONS AND LIMITATIONS

1. Per Section 203.5 of 2012 TAS, this building is not required to meet TAS or be on an accessible route.
2. Operating & Maintenance Manuals shall be provided to the building owner or designated representative within 90 days after the date of system acceptance.

NOTES:

DESIGN

1. Design and construction of structural items based on the 2015 IBC, AISC Steel Construction Manual, 14th Edition, and Detailing for Steel Construction, 2nd Edition. Welding shall conform to AWS D1.1 and D1.3.
2. Estimated building weight completely assembled and installed, including future, field installed equipment and cable tray = 80,000 lbs (some equipment weights assumed). Building weight does not include platforms and stairs – 3,600 lbs for 6' x 12' LS platform & stairs, 3,600 lbs for 6' x 12' RS platforms & stairs.
3. All structural steel, sheet steel, and plate steel shall be 36ksi minimum yield strength, unless noted otherwise.
4. Foundation and building attachments shall be designed by others. Design foundation and building attachments for loads listed on Sheet M-12.

CONSTRUCTION

1. Structural steel channel base frame, 1/4" steel A36 floor plate, 10 gauge steel interior wall panels, and 10 gauge steel interior ceiling panels, meeting standard ASTM-A1011 CS Type B, Fy 30 KSI. Steel member joints and seams are connected by fully sealed continuous welds.
2. Building roof is single slope at approximately 1/2" per foot. Slope direction based on customer specification.
3. Eight heavy duty removable lifting eyes, four per side, shall be provided for picking and placing the building with a crane.
4. Cranes, spreader bars, and associated rigging are not the responsibility of Intermountain Electronics.
5. Baseframe will be sandblasted with a "near white blast" prior to painting. Steel interior surfaces and the base frame will be thoroughly cleaned with a phosphatizing acid wash prior to painting. Painting of these surfaces per Intermountain Electronics Standard Painting Process.
6. Exterior walls and roof are covered by preformed 26 gauge PBR panels, complete with trim. Base metal is manufactured from high strength Galvalume® and coated with Signature® 200 thermoset polyester resin in Carlsbad Canyon tan.
7. Interior walls and ceiling of building to be coated with PPG's "Amerlock" primer and receive a top coat of PPG's "PSX-700" paint in Gloss White. Interior floor shall be painted with a durable anti-slip surface in Gloss White.
8. Wall cavities are insulated with R-23, 5.5" thick Roxul ComfortBatt mineral wool insulation.
9. Ceiling cavities are insulated with R-23, 5.5" thick Roxul ComfortBatt mineral wool insulation.
10. Building baseframe will be insulated with 3" thick Gaco F1850 spray-applied polyurethane closed cell foam insulation having an R-21 thermal resistance installed beneath 1/2" gypsum board thermal barrier.
11. The underside of the skid will be primed with PPG's "Amercoat 240" marine grade protective sealer to an approximate thickness of 6 mils dry.
12. (1) Each - 6070 all steel, R-6 insulated, left hand active, 18 gauge exterior door with 24" insulated transom, 3 piece x 4-3/4" throat knockdown 14 gauge frame, with weather strip gasket, auto door closer (with hold-open feature), stainless steel hinges, threshold, door sweep, panic hardware, and lockable passage lever. Doors keyed alike. Door will have a 12" x 12" single pane C-Lam window rated to CFR 1201 Category Class 1.
13. (1) Each - 3070 all steel, R-6 insulated, left hand swing, 18 gauge exterior door with 3 piece x 4-3/4" throat knockdown 14 gauge frame, with weather strip kerf, weather strip gasket, auto door closer (with hold-open feature), stainless steel hinges, threshold, door sweep, panic hardware, and lockable passage lever. Doors keyed alike. Door will have a 12" x 12" single pane C-Lam window rated to CFR 1201 Category Class 1.
14. (1) Each - 3070 all steel, non-insulated, right hand swing, 18 gauge interior door with 3 piece x 4-3/4" throat knockdown 14 gauge frame, with weather strip kerf, weather strip gasket, auto door closer (with hold-open feature), stainless steel hinges, threshold, door sweep, panic hardware, and non-keyed passage lever. Door will have a 12" x 12" single pane C-Lam window rated to CFR 1201 Category Class 1.

WORKMANSHIP

1. Workmanship and finish of all metalwork shall be of the highest grade and equal to the best practices for the respective work. Grind all exposed edges of welds smooth.
2. Welding, appearance, quality and corrections of defective work shall conform to codes for arc and gas welding in building construction of the AWS and to AISC specifications.

ELECTRICAL

1. The electrical components that are shown have been sized and placed based on the best available information.
2. Items not shown are omitted for clarity (i.e. wiring, conduit, utilities, etc.).
3. HVAC units on long side of building shall be removed for shipping and re-installed on site by others.



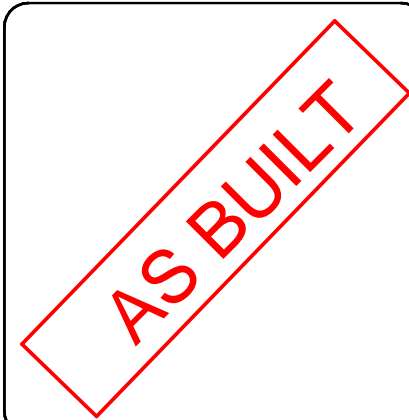
1511 SOUTH HIGHWAY 6, PRICE, UT 84501
PHONE: (435) 637-7160 FAX: (435) 637-9601

8221 EAST 96TH AVE, UNIT A, HENDERSON, CO 80640
PHONE: (720) 409-1000

100 VALLEY DRIVE, SOUTHPOINT, OH 45680
PHONE: (740) 414-4770 FAX: (606) 644-0432

400 SWAN AVENUE, CENTRALIA, IL 62801
PHONE: (618) 214-1063 FAX: (606) 644-0442

www.intermountainelectronics.com



PDC ENERGY

PDC-1000

BUILDING NOTES

Rev:	Date:	Description:	By:	Approved:
FR 2.0	8/30/2018	ISSUED FOR REVIEW 2.0 – UPDATED PER P. E. L. REDLINES DATED 8/29/2018	WR	JY
FR 3.0	9/4/2018	ISSUED FOR REVIEW 3.0 – UPDATED PER P. E. L. AND ENGINEER REDLINES DATED 8/31/2018	WR	JY
IFC 1.0	9/7/2018	ISSUED FOR CONSTRUCTION	WR	JY
AS BUILT	10/25/2018	AS BUILT	WR	JY
			NA	NA
			NA	NA
			NA	NA
			NA	NA

DRAWN BY: wrasmussen

ENGINEERED BY: J.S.Y., M.E.

APPROVED BY: _____

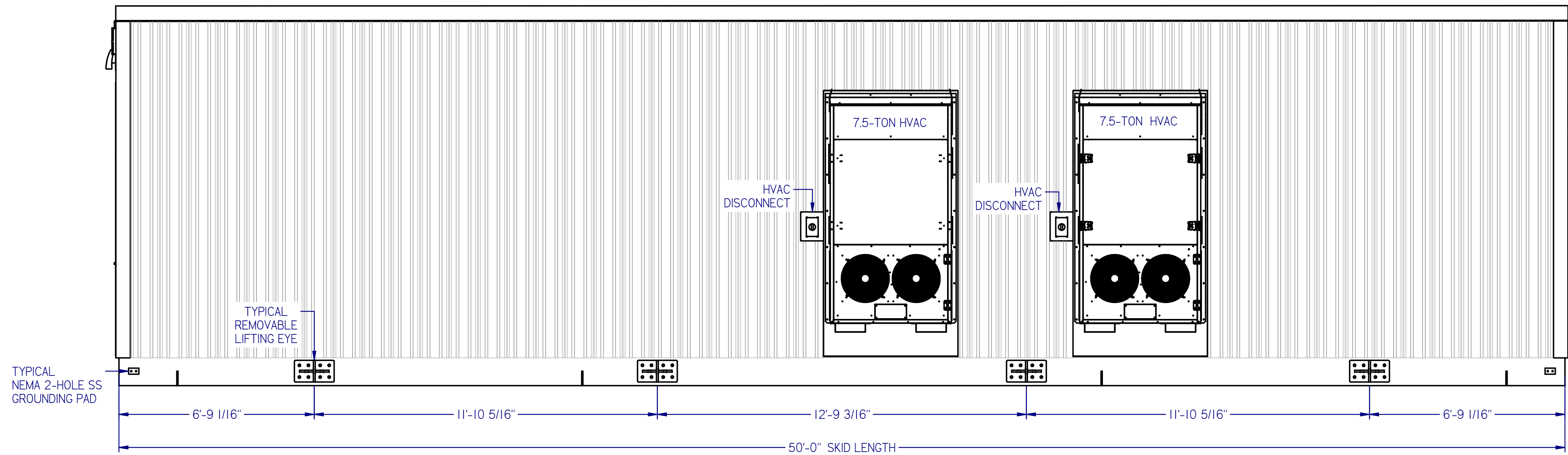
DATE: 7/25/2018

PROJECT NO. **217250-1-1**

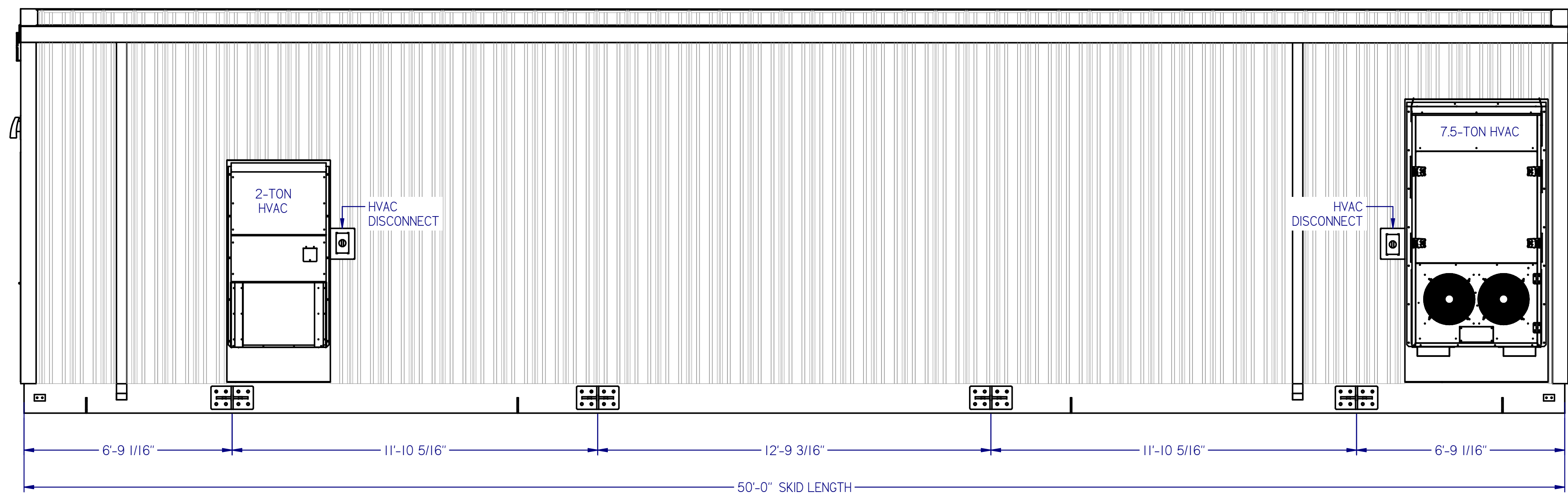
REV. **IFC 1.0**

DRAWING NO. **M-2**

SHT **2** OF **45**



BUILDING - FRONT VIEW



BUILDING - REAR VIEW

NOTES:

ALL BOXES PROTRUDING THROUGH EXTERIOR PANELING WILL HAVE J-TRIM INSTALLED AND WILL BE SEALED WITH SILICONE CAULKING TO PREVENT WATER ENTRY.

MAN AND EQUIPMENT ACCESS DOORS WILL HAVE DRIP GUARDS INSTALLED ABOVE TO AID IN WEATHER PROOFING.



- 1511 SOUTH HIGHWAY 6, PRICE, UT 84501
PHONE: (435) 637-7160 FAX: (435) 637-9601
- 8221 EAST 96TH AVE, UNIT A, HENDERSON, CO 80640
PHONE: (720) 409-1000
- 100 VALLEY DRIVE, SOUTHPOINT, OH 45680
PHONE: (740) 414-4770 FAX: (606) 644-0432
- 400 SWAN AVENUE, CENTRALIA, IL 62801
PHONE: (618) 214-1063 FAX: (606) 644-0442

AS BUILT

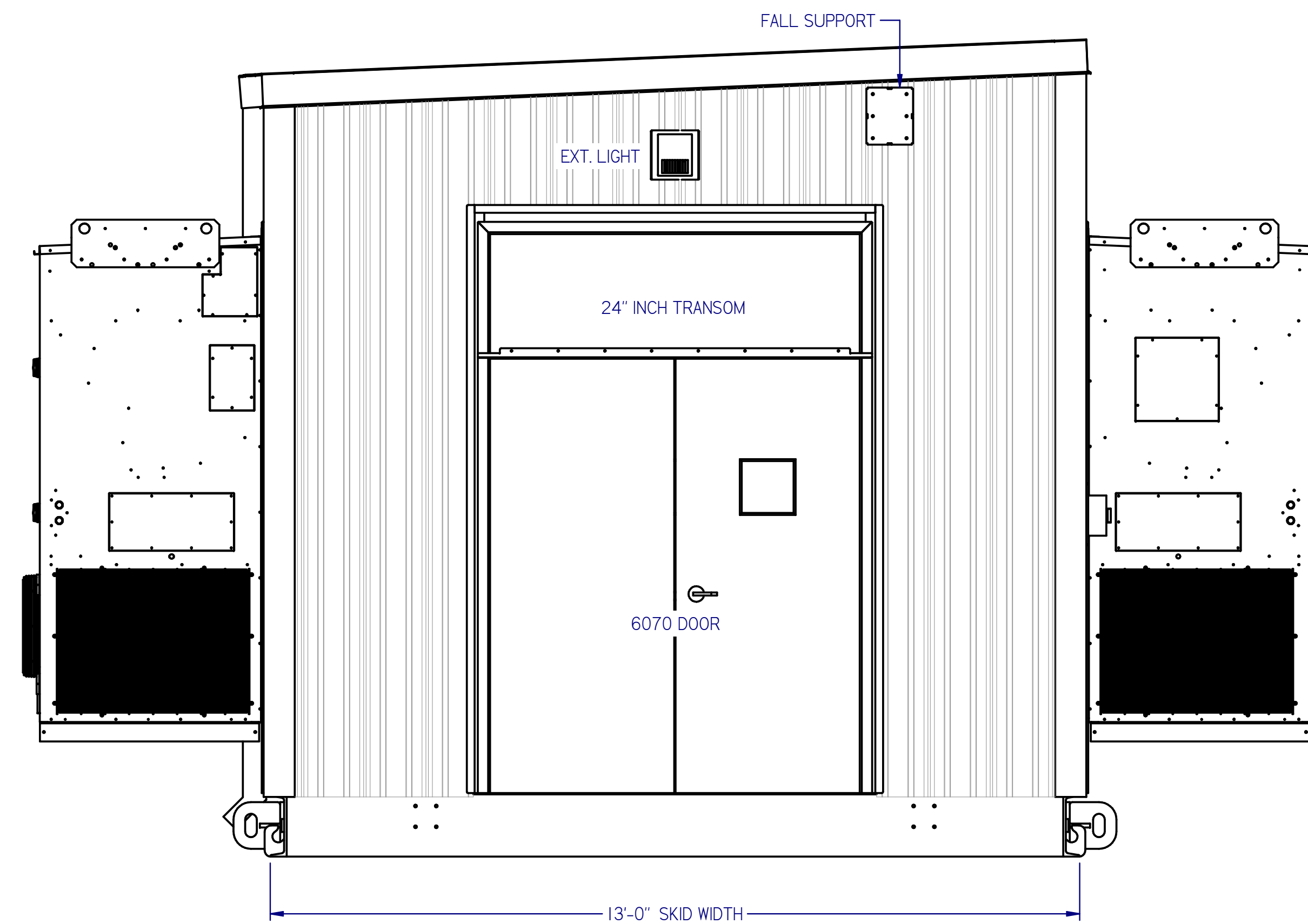
PDC ENERGY
PDC-1000
EXTERIOR FRONT & REAR ELEVATIONS

REVISIONS

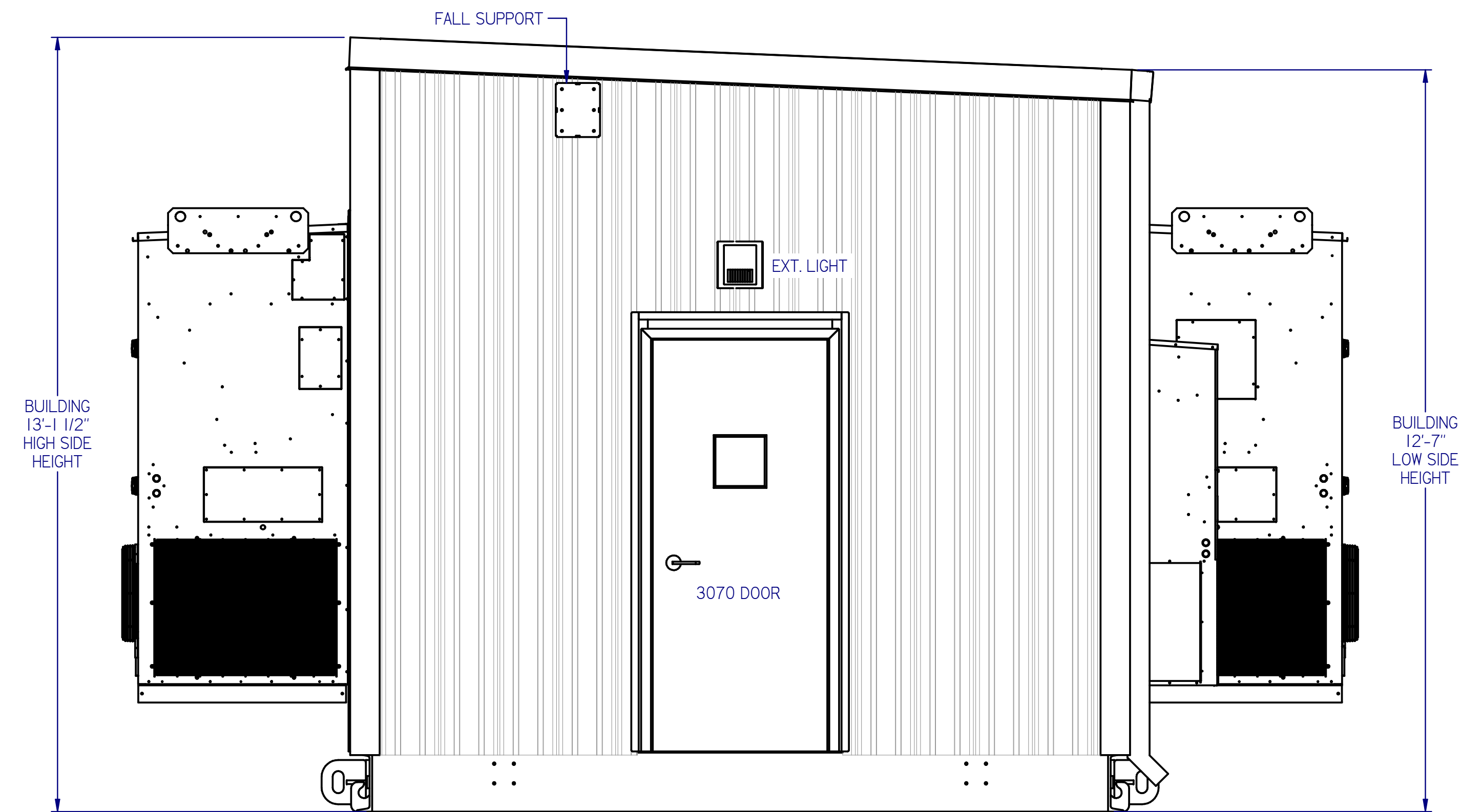
Rev:	Date:	Description:	By:	Approved:
FR 2.0	8/30/2018	ISSUED FOR REVIEW 2.0 - UPDATED PER P. E. L. REDLINES DATED 8/29/2018	WR	JY
FR 3.0	9/4/2018	ISSUED FOR REVIEW 3.0 - UPDATED PER P. E. L. AND ENGINEER REDLINES DATED 8/31/2018	WR	JY
IFC 1.0	9/7/2018	ISSUED FOR CONSTRUCTION	WR	JY
AS BUILT	10/25/2018	AS BUILT	WR	JY
			NA	NA
			NA	NA
			NA	NA
			NA	NA

DRAWN BY: wrasmussen
 ENGINEERED BY: J.S.Y., M.E.
 APPROVED BY: _____
 DATE: 7/25/2018
 PROJECT NO. 217250-1-1 REV. IFC 1.0

DRAWING NO. M-3
 SHT 3 OF 45



BUILDING - LEFT VIEW



BUILDING - RIGHT VIEW

NOTES:

ALL BOXES PROTRUDING THROUGH EXTERIOR PANELING WILL HAVE J-TRIM INSTALLED AND WILL BE SEALED WITH SILICONE CAULKING TO PREVENT WATER ENTRY.

MAN AND EQUIPMENT ACCESS DOORS WILL HAVE DRIP GUARDS INSTALLED ABOVE TO AID IN WEATHER PROOFING.



- 1511 SOUTH HIGHWAY 6, PRICE, UT 84501
PHONE: (435) 637-7160 FAX: (435) 637-9601
- 8221 EAST 96TH AVE, UNIT A, HENDERSON, CO 80640
PHONE: (720) 409-1000
- 100 VALLEY DRIVE, SOUTHPOINT, OH 45680
PHONE: (740) 414-4770 FAX: (606) 644-0432
- 400 SWAN AVENUE, CENTRALIA, IL 62801
PHONE: (618) 214-1063 FAX: (606) 644-0442

AS BUILT

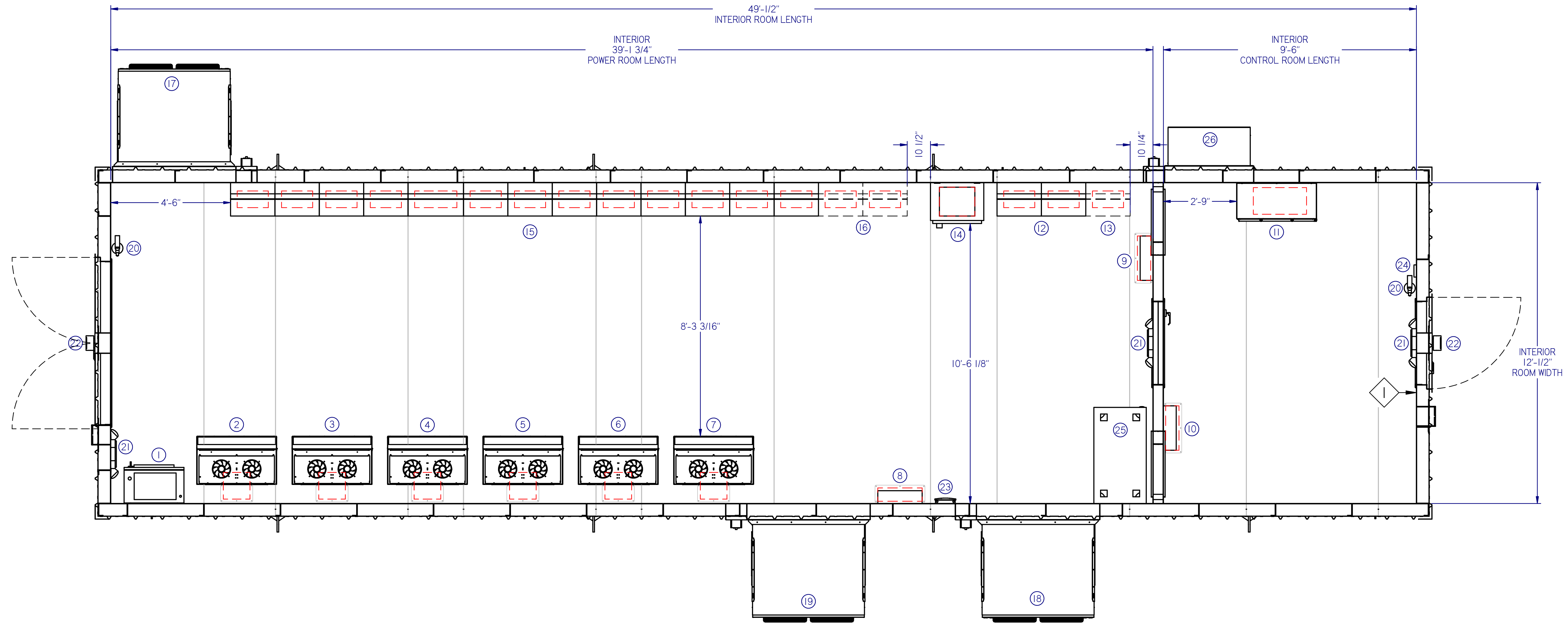
PDC ENERGY
PDC-1000
EXTERIOR LEFT & RIGHT ELEVATIONS

REVISIONS

Rev:	Date:	Description:	By:	Approved:
FR 2.0	8/30/2018	ISSUED FOR REVIEW 2.0 - UPDATED PER P. E. L. REDLINES DATED 8/29/2018	WR	JY
FR 3.0	9/4/2018	ISSUED FOR REVIEW 3.0 - UPDATED PER P. E. L. AND ENGINEER REDLINES DATED 8/31/2018	WR	JY
IFC 1.0	9/7/2018	ISSUED FOR CONSTRUCTION	WR	JY
AS BUILT	10/25/2018	AS BUILT	WR	JY
			NA	NA
			NA	NA
			NA	NA
			NA	NA

DRAWN BY: wrasmussen
 ENGINEERED BY: J.S.Y., M.E.
 APPROVED BY: _____
 DATE: 7/25/2018
 PROJECT NO. 217250-1-1 REV. IFC 1.0

DRAWING NO. M-4
 SHT 4 OF 45



TEXAS STATE INSIGNIA AND DATA PLATE

BUILDING - PLAN VIEW
With Cable Tray and Roof Removed

EQUIPMENT LIST				EQUIPMENT LIST			
Item Number	Quantity	Description	Weight	Item Number	Quantity	Description	Weight
1	1	AHF-1000, 480V	480	15	1	MCC-1000 (13 SECTIONS), 480V	7250
2	1	VFD-5013F, 480V	300	16	1	MCC-FUTURE SECTION (2 SECTIONS)	1100
3	1	VFD-5013E, 480V	300	17	1	7.5 TON, 10EER HVAC, MARVAIR PN: AVHDA90ACD090AU	1166
4	1	VFD-5013D, 480V	300	18	1	7.5 TON, 10EER HVAC, MARVAIR PN: AVHDA90ACD090AU	1166
5	1	VFD-5013C, 480V	300	19	1	7.5 TON, 10EER HVAC, MARVAIR PN: AVHDA90ACD090AU	1166
6	1	VFD-5013B, 480V	300	20	2	10 LB CAPACITY FIRE EXTINGUISHER, CLASS BC, AMEREX PN: 90-330	29
7	1	VFD-5013A, 480V	300	21	3	EMERGENCY EXIT LIGHT, LITHONIA LIGHTING PN: ECRLED	15
8	1	PP-100	75	22	2	EXTERIOR LED LIGHT, 38 WATT, COOPER LIGHTING PN: XT0R4B-PC1	15
9	1	LP-100	75	23	1	COMMSTAT 6, MARVAIR PN: S112087-04	15
10	1	UPD-1000	75	24	1	THERMOSTAT, MARVAIR PN: 50218	5
11	1	PLC CABINET	400	25	1	UPS & BATTERIES	1015
12	1	MCC-2000 (2 SECTIONS), 480V	1100	26	1	2-TON, 10EER HVAC, MARVAIR PN: AVHA24ACD060C7U	375
13	1	MCC-FUTURE SECTION (1 EACH)	550	27	16	INTERIOR LED LIGHT, 43 WATT, COOPER LIGHTING PN: 4SLSTP4040D-UNV	6.5
14	1	ATS-1000, 480V	225				



1511 SOUTH HIGHWAY 6, PRICE, UT 84501
PHONE: (435) 637-7160 FAX: (435) 637-9601
8221 EAST 96TH AVE, UNIT A, HENDERSON, CO 80640
PHONE: (720) 409-1000
100 VALLEY DRIVE, SOUTHPOINT, OH 45680
PHONE: (740) 414-4770 FAX: (606) 644-0432
400 SWAN AVENUE, CENTRALIA, IL 62801
PHONE: (618) 214-1063 FAX: (606) 644-0442

AS BUILT

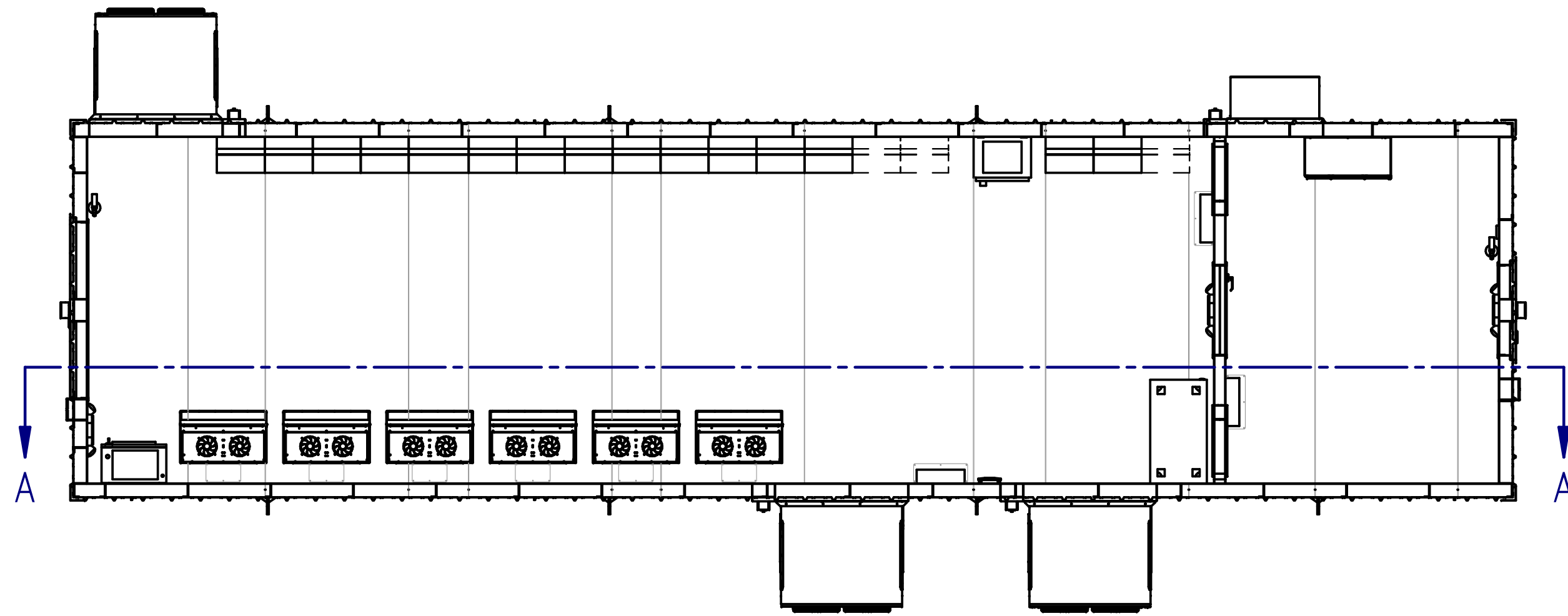
PDC ENERGY
PDC-1000
EQUIPMENT LAYOUT - PLAN VIEW

REVISIONS

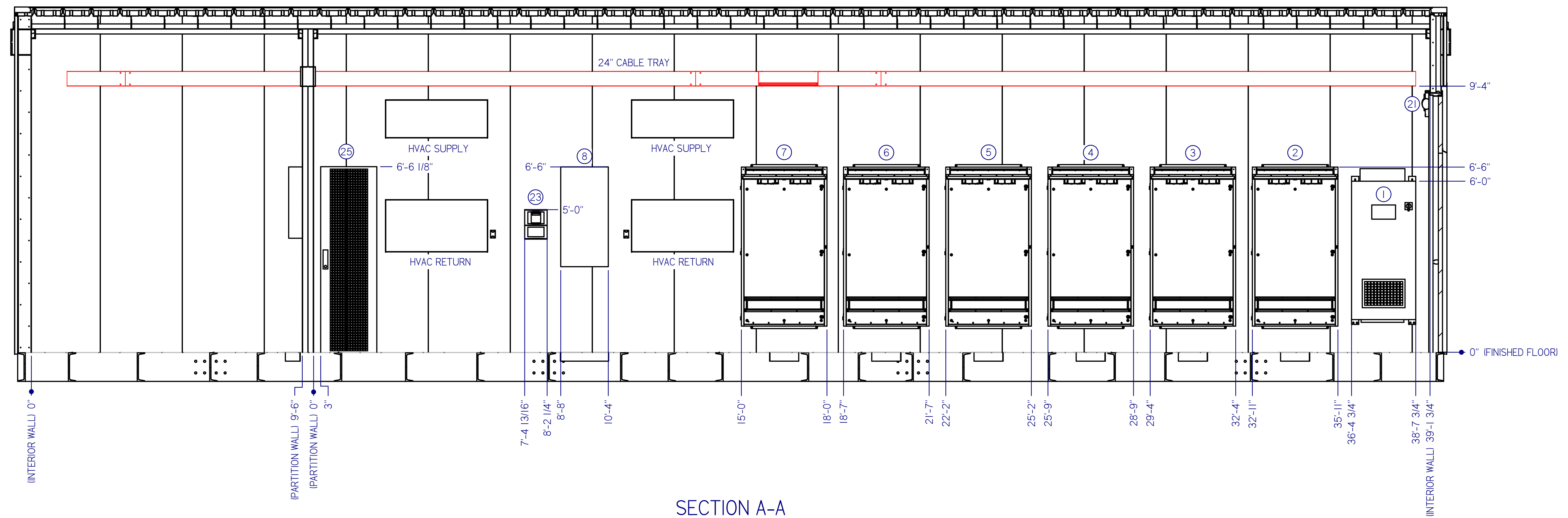
Rev:	Date:	Description:	By:	Approved:
FR 2.0	8/30/2018	ISSUED FOR REVIEW 2.0 - UPDATED PER P. E. L. REDLINES DATED 8/29/2018	WR	JY
FR 3.0	9/4/2018	ISSUED FOR REVIEW 3.0 - UPDATED PER P. E. L. AND ENGINEER REDLINES DATED 8/31/2018	WR	JY
IFC 1.0	9/7/2018	ISSUED FOR CONSTRUCTION	WR	JY
AS BUILT	10/25/2018	AS BUILT	WR	JY
			NA	NA
			NA	NA
			NA	NA

DRAWN BY: wasmussen
ENGINEERED BY: J.S.Y., M.E.
APPROVED BY: _____
DATE: 7/25/2018
PROJECT NO. 217250-1-1 REV. IFC 1.0

DRAWING NO. M-5
SHT 5 OF 45



EQUIPMENT LIST				EQUIPMENT LIST			
Item Number	Quantity	Description	Weight	Item Number	Quantity	Description	Weight
1	1	AHF-1000, 480V	480	15	1	MCC-1000 I13 SECTIONS, 480V	7250
2	1	VFD-5013F, 480V	300	16	1	MCC-FUTURE SECTION I2 SECTIONS	1100
3	1	VFD-5013E, 480V	300	17	1	7.5 TON, 10EER HVAC, MARVAIR PN: AVHDA90ACD090AU	1166
4	1	VFD-5013D, 480V	300	18	1	7.5 TON, 10EER HVAC, MARVAIR PN: AVHDA90ACD090AU	1166
5	1	VFD-5013C, 480V	300	19	1	7.5 TON, 10EER HVAC, MARVAIR PN: AVHDA90ACD090AU	1166
6	1	VFD-5013B, 480V	300	20	2	10 LB CAPACITY FIRE EXTINGUISHER, CLASS B.C, AMEREX PN: 90-330	29
7	1	VFD-5013A, 480V	300	21	3	EMERGENCY EXIT LIGHT, LITHONIA LIGHTING PN: ECRLED	15
8	1	PP-100	75	22	2	EXTERIOR LED LIGHT, 38 WATT, COOPER LIGHTING PN: XT0R4B-PCI	15
9	1	LP-100	75	23	1	COMMSTAT 6, MARVAIR PN: S/I2087-04	15
10	1	UPD-1000	75	24	1	THERMOSTAT, MARVAIR PN: 50218	5
11	1	PLC CABINET	400	25	1	UPS & BATTERIES	1015
12	1	MCC-2000 I2 SECTIONS, 480V	1100	26	1	2-TON, 10EER HVAC, MARVAIR PN: AVHA24ACD060C7U	375
13	1	MCC-FUTURE SECTION II EACH	550	27	16	INTERIOR LED LIGHT, 43 WATT, COOPER LIGHTING PN: 4SLSTP4040D-UNV	6.5
14	1	ATS-1000, 480V	225				



SECTION A-A



1511 SOUTH HIGHWAY 6, PRICE, UT 84501
 PHONE: (435) 637-7160 FAX: (435) 637-9601

8221 EAST 96TH AVE, UNIT A, HENDERSON, CO 80640
 PHONE: (720) 409-1000

100 VALLEY DRIVE, SOUTHPOINT, OH 45680
 PHONE: (740) 414-4770 FAX: (606) 644-0432

400 SWAN AVENUE, CENTRALIA, IL 62801
 PHONE: (618) 214-1063 FAX: (606) 644-0442

www.intermountainelectronics.com

AS BUILT

PDC ENERGY
PDC-1000
EQUIPMENT LAYOUT - FRONT WALL

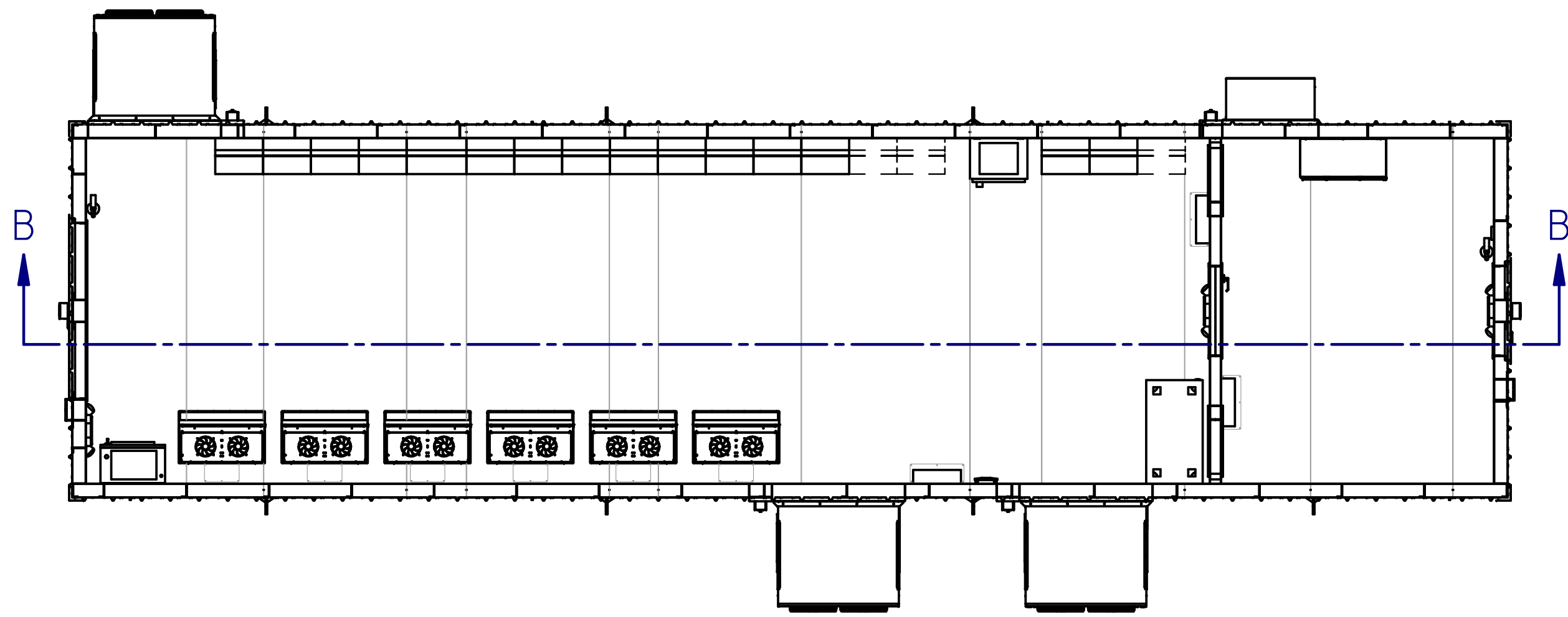
REVISIONS

Rev:	Date:	Description:	By:	Approved:
FR 2.0	8/30/2018	ISSUED FOR REVIEW 2.0 - UPDATED PER P. E. L. REDLINES DATED 8/29/2018	WR	JY
FR 3.0	9/4/2018	ISSUED FOR REVIEW 3.0 - UPDATED PER P. E. L. AND ENGINEER REDLINES DATED 8/31/2018	WR	JY
FC 1.0	9/7/2018	ISSUED FOR CONSTRUCTION	WR	JY
AS BUILT	10/25/2018	AS BUILT	WR	JY
			NA	NA
			NA	NA
			NA	NA

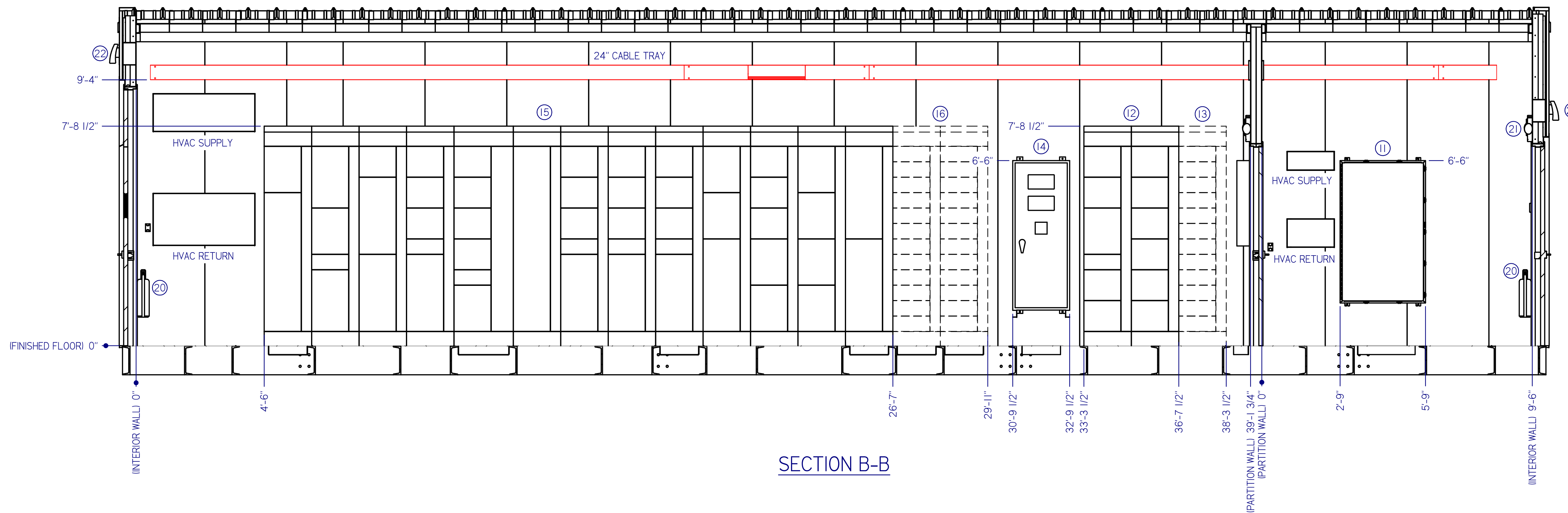
DRAWN BY: wrasmussen
 ENGINEERED BY: J.S.Y., M.E.
 APPROVED BY: -
 DATE: 7/25/2018

PROJECT NO. 217250-1-1
 REV. IFC 1.0

DRAWING NO. **M-6**
 SHT 6 OF 45



EQUIPMENT LIST				EQUIPMENT LIST			
Item Number	Quantity	Description	Weight	Item Number	Quantity	Description	Weight
1	1	AHF-1000, 480V	480	15	1	MCC-1000 I13 SECTIONS, 480V	7250
2	1	VFD-5013F, 480V	300	16	1	MCC-FUTURE SECTION I2 SECTIONS	1100
3	1	VFD-5013E, 480V	300	17	1	7.5 TON, 10EER HVAC, MARVAIR PN: AVHDA90ACD090AU	1166
4	1	VFD-5013D, 480V	300	18	1	7.5 TON, 10EER HVAC, MARVAIR PN: AVHDA90ACD090AU	1166
5	1	VFD-5013C, 480V	300	19	1	7.5 TON, 10EER HVAC, MARVAIR PN: AVHDA90ACD090AU	1166
6	1	VFD-5013B, 480V	300	20	2	10 LB CAPACITY FIRE EXTINGUISHER, CLASS BC, AMEREX PN: 90-330	29
7	1	VFD-5013A, 480V	300	21	3	EMERGENCY EXIT LIGHT, LITHONIA LIGHTING PN: ECRLED	15
8	1	PP-100	75	22	2	EXTERIOR LED LIGHT, 38 WATT, COOPER LIGHTING PN: XTOR4B-PCI	15
9	1	LP-100	75	23	1	COMMSTAT 6, MARVAIR PN: S/I2087-04	15
10	1	UPD-1000	75	24	1	THERMOSTAT, MARVAIR PN: 50218	5
11	1	PLC CABINET	400	25	1	UPS & BATTERIES	1015
12	1	MCC-2000 I2 SECTIONS, 480V	1100	26	1	2-TON, 10EER HVAC, MARVAIR PN: AVHA24ACD060C7U	375
13	1	MCC-FUTURE SECTION I1 EACH	550	27	16	INTERIOR LED LIGHT, 43 WATT, COOPER LIGHTING PN: 4SLSTP4040D-UNV	6.5
14	1	ATS-1000, 480V	225				



SECTION B-B



1511 SOUTH HIGHWAY 6, PRICE, UT 84501
PHONE: (435) 637-7160 FAX: (435) 637-9601

8221 EAST 96TH AVE, UNIT A, HENDERSON, CO 80640
PHONE: (720) 409-1000

100 VALLEY DRIVE, SOUTHPOINT, OH 45680
PHONE: (740) 414-4770 FAX: (606) 644-0432

400 SWAN AVENUE, CENTRALIA, IL 62801
PHONE: (618) 214-1063 FAX: (606) 644-0442

AS BUILT

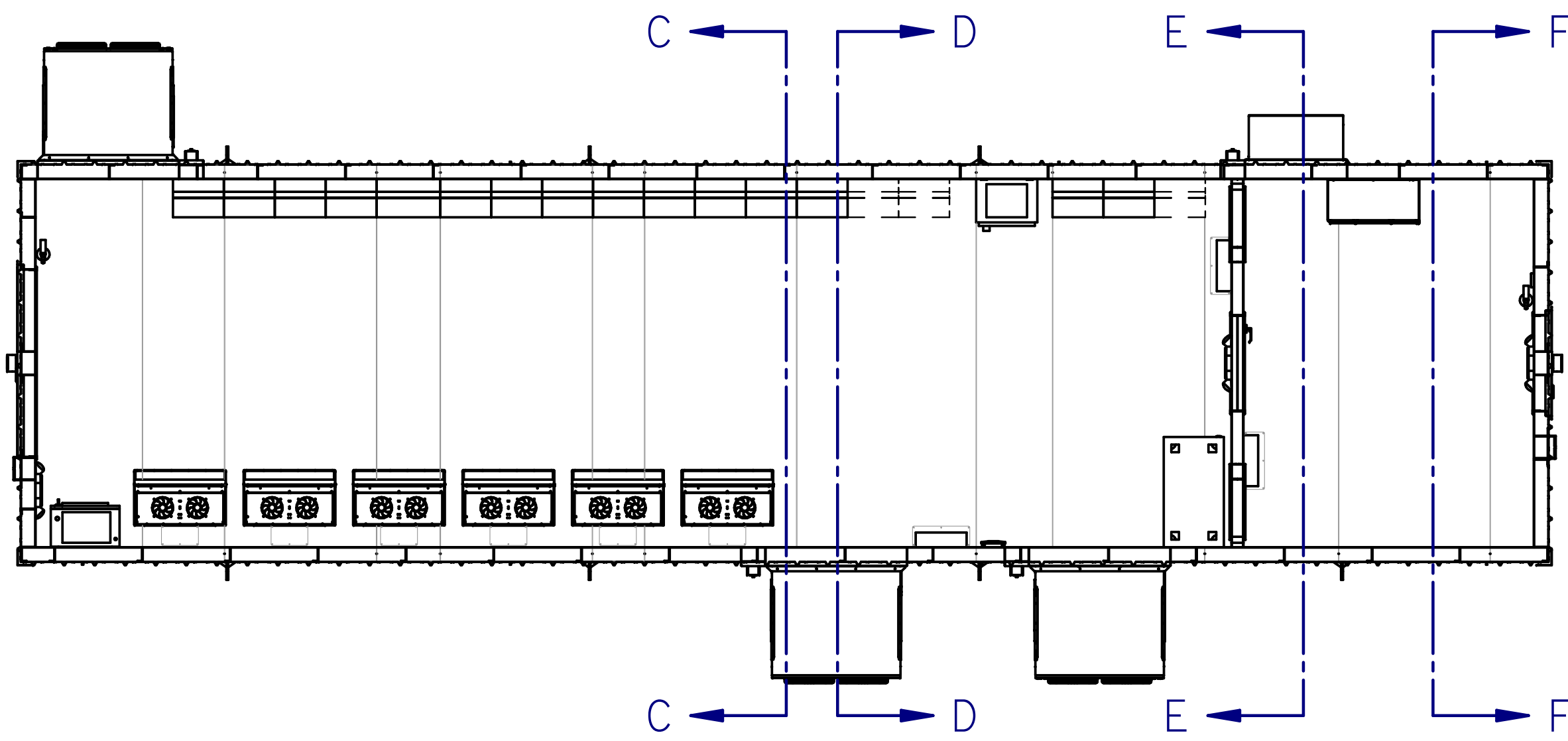
PDC ENERGY
PDC-1000
EQUIPMENT LAYOUT - REAR WALL

REVISIONS

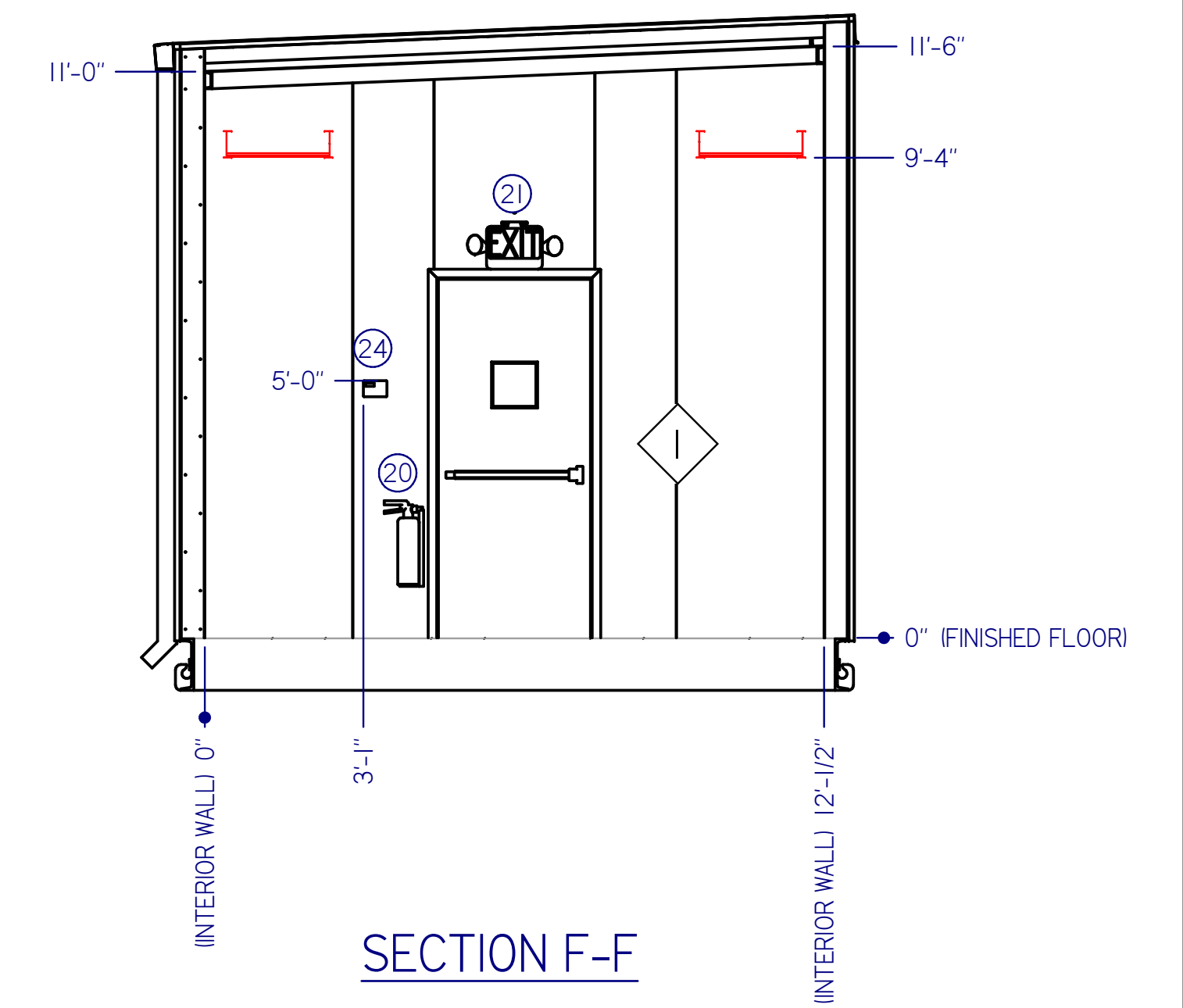
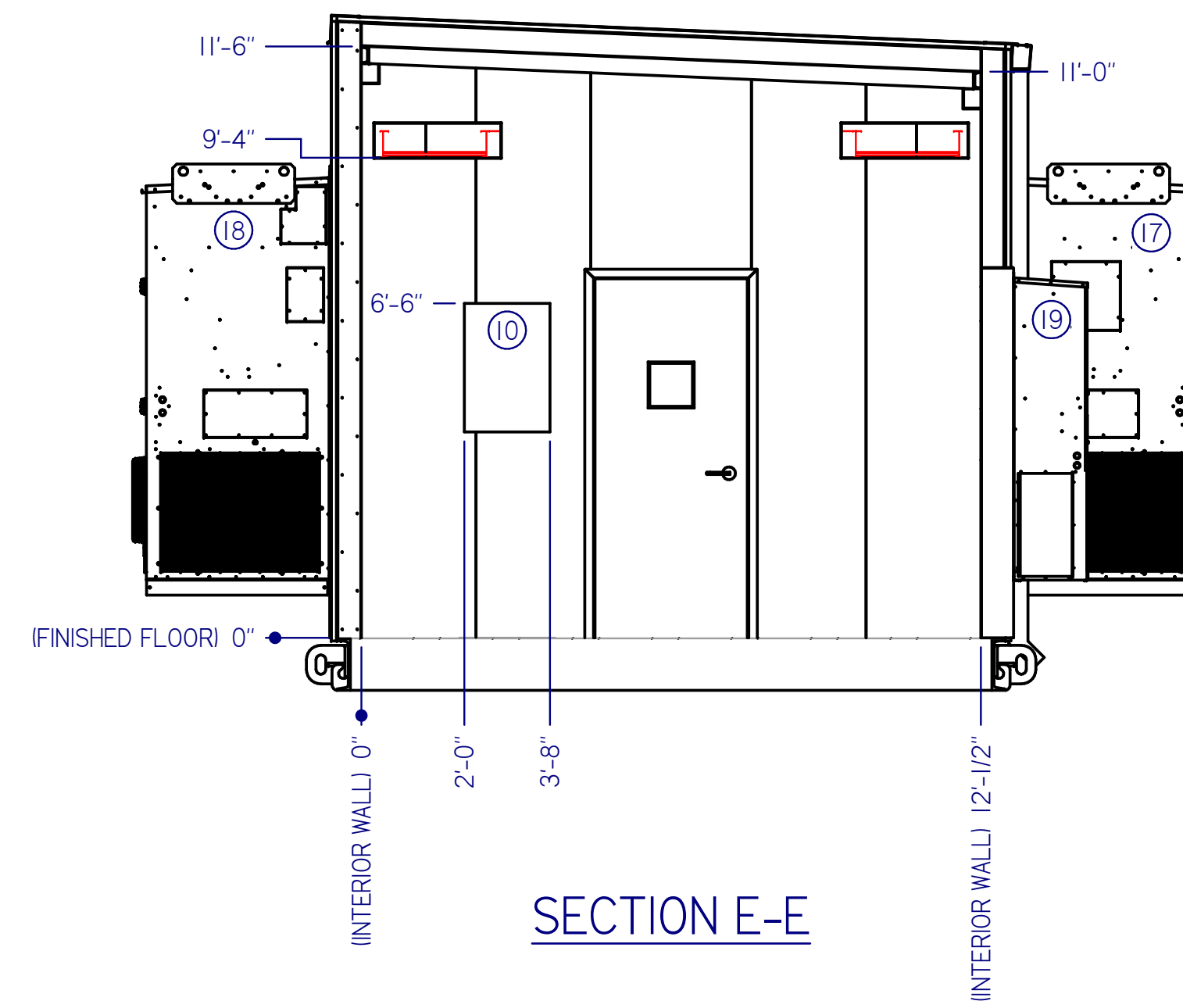
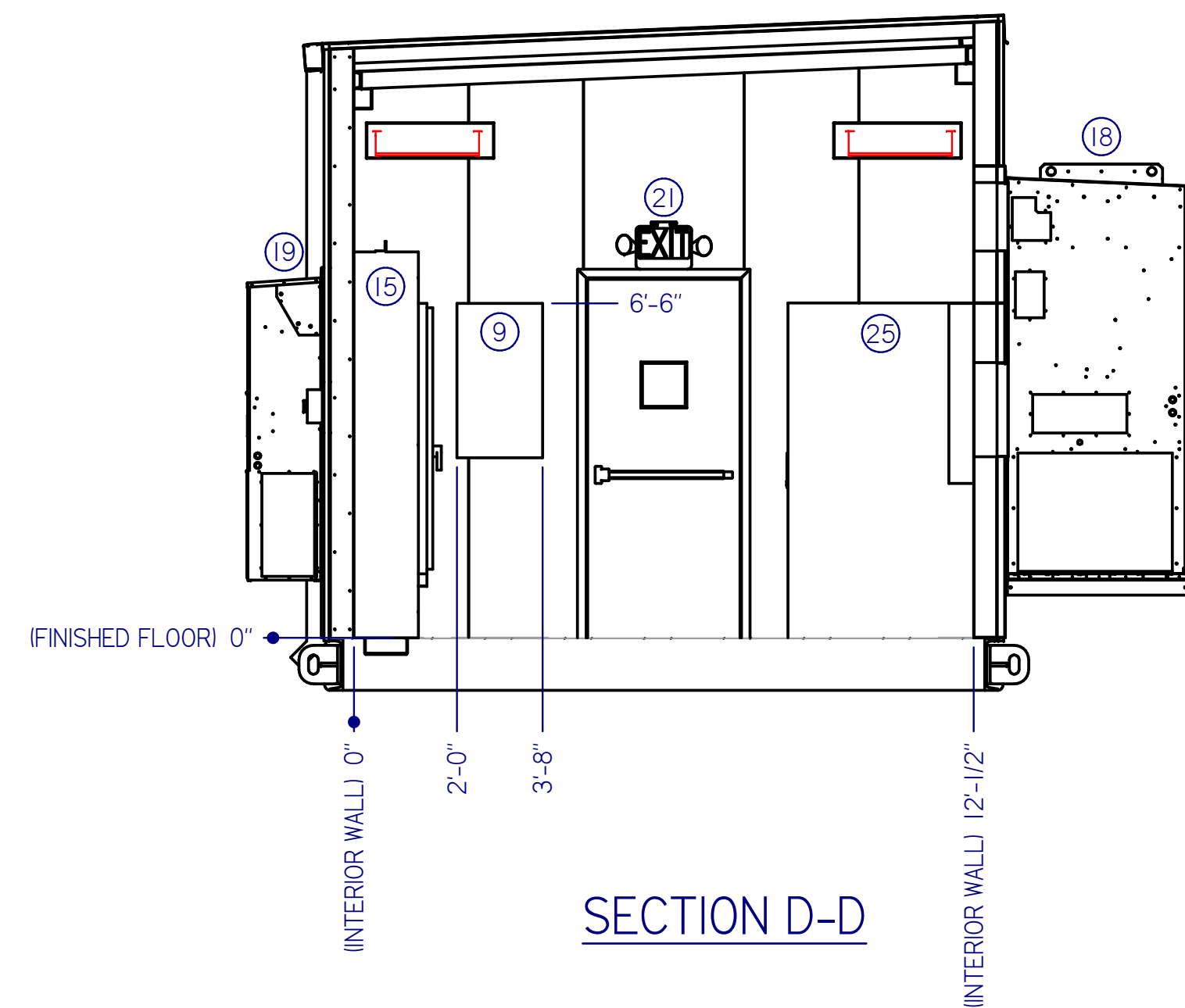
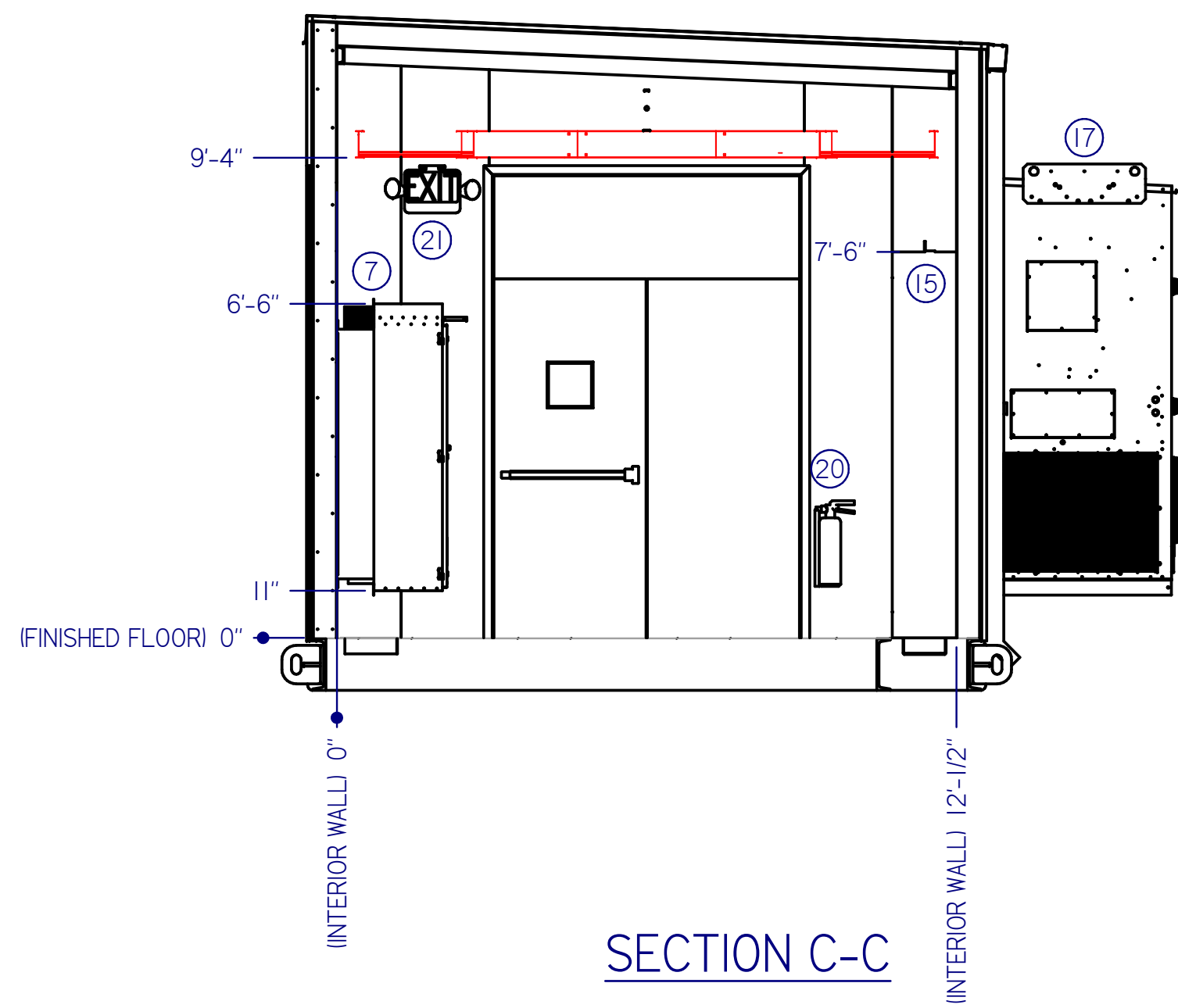
Rev:	Date:	Description:	By:	Approved:
FR 2.0	8/30/2018	ISSUED FOR REVIEW 2.0 - UPDATED PER P. E. L. REDLINES DATED 8/29/2018	WR	JY
FR 3.0	9/4/2018	ISSUED FOR REVIEW 3.0 - UPDATED PER P. E. L. AND ENGINEER REDLINES DATED 8/31/2018	WR	JY
IFC 1.0	9/7/2018	ISSUED FOR CONSTRUCTION	WR	JY
AS BUILT	10/25/2018	AS BUILT	WR	JY
			NA	NA
			NA	NA
			NA	NA

DRAWN BY: wrasmussen
ENGINEERED BY: J.S.Y., M.E.
APPROVED BY: _____
DATE: 7/25/2018
PROJECT NO. 217250-1-1
REV. IFC 1.0

DRAWING NO. **M-7**
SHT **7** OF **45**



EQUIPMENT LIST				EQUIPMENT LIST			
Item Number	Quantity	Description	Weight	Item Number	Quantity	Description	Weight
1	1	AHF-1000, 480V	480	15	1	MCC-1000 I13 SECTIONS, 480V	7250
2	1	VFD-5013F, 480V	300	16	1	MCC-FUTURE SECTION (2 SECTIONS)	1100
3	1	VFD-5013E, 480V	300	17	1	7.5 TON, 10EER HVAC, MARVAIR PN: AVHDA90ACD090AU	1166
4	1	VFD-5013D, 480V	300	18	1	7.5 TON, 10EER HVAC, MARVAIR PN: AVHDA90ACD090AU	1166
5	1	VFD-5013C, 480V	300	19	1	7.5 TON, 10EER HVAC, MARVAIR PN: AVHDA90ACD090AU	1166
6	1	VFD-5013B, 480V	300	20	2	10 LB CAPACITY FIRE EXTINGUISHER, CLASS BC, AMEREX PN: 90-330	29
7	1	VFD-5013A, 480V	300	21	3	EMERGENCY EXIT LIGHT, LITHONIA LIGHTING PN: ECRLED	15
8	1	PP-100	75	22	2	EXTERIOR LED LIGHT, 38 WATT, COOPER LIGHTING PN: XT0R4B-PCI	15
9	1	LP-100	75	23	1	COMMSTAT 6, MARVAIR PN: S/12087-04	15
10	1	UPD-1000	75	24	1	THERMOSTAT, MARVAIR PN: 50218	5
11	1	PLC CABINET	400	25	1	UPS & BATTERIES	1015
12	1	MCC-2000 (2 SECTIONS), 480V	1100	26	1	2-TON, 10EER HVAC, MARVAIR PN: AVHA24ACD060C7U	375
13	1	MCC-FUTURE SECTION (1 EACH)	550	27	16	INTERIOR LED LIGHT, 43 WATT, COOPER LIGHTING PN: 4SLSTP4040D-UNV	6.5
14	1	ATS-1000, 480V	225				



1 TEXAS STATE INSIGNIA AND DATA PLATE



1511 SOUTH HIGHWAY 6, PRICE, UT 84501
PHONE: (435) 637-7160 FAX: (435) 637-9601

8221 EAST 96TH AVE, UNIT A, HENDERSON, CO 80640
PHONE: (720) 409-1000

100 VALLEY DRIVE, SOUTHPOINT, OH 45680
PHONE: (740) 414-4770 FAX: (606) 644-0432

400 SWAN AVENUE, CENTRALIA, IL 62801
PHONE: (618) 214-1063 FAX: (606) 644-0442

www.intermountainelectronics.com

AS BUILT

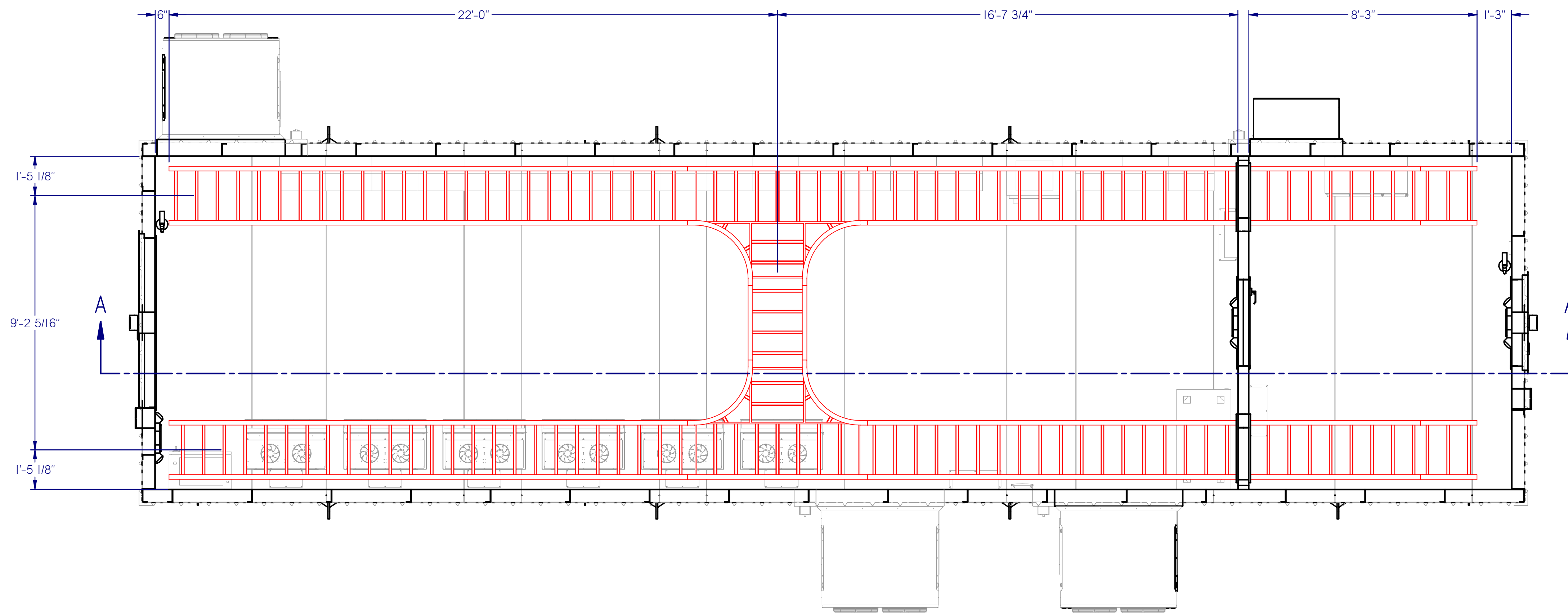
PDC ENERGY
PDC-1000
EQUIPMENT LAYOUT - END WALLS

REVISIONS

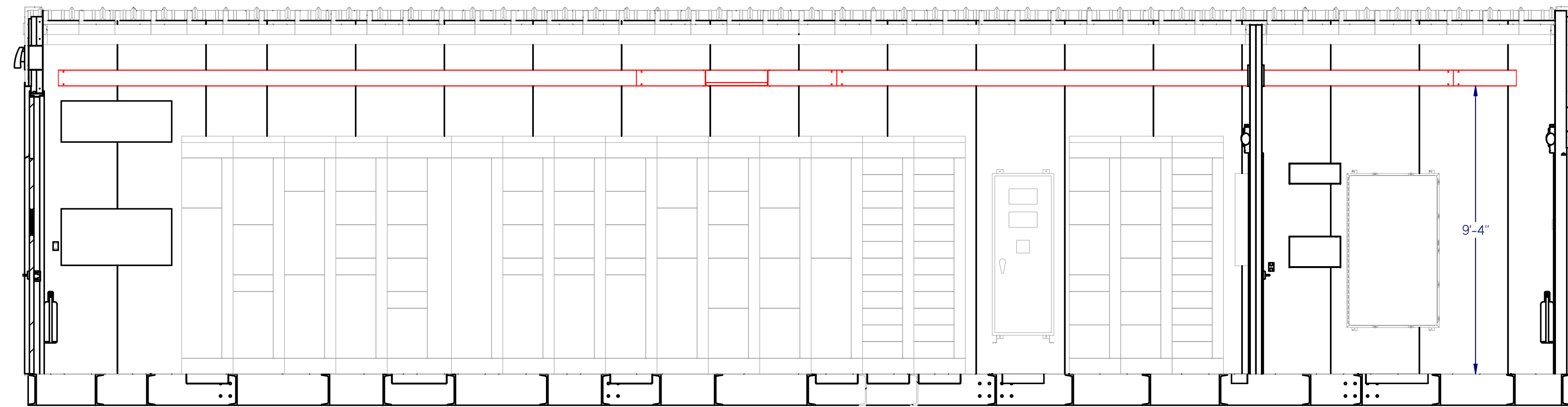
Rev:	Date:	Description:	By:	Approved:
FR 2.0	8/30/2018	ISSUED FOR REVIEW 2.0 - UPDATED PER P. E. L. REDLINES DATED 8/29/2018	WR	JY
FR 3.0	9/4/2018	ISSUED FOR REVIEW 3.0 - UPDATED PER P. E. L. AND ENGINEER REDLINES DATED 8/31/2018	WR	JY
IFC 1.0	9/7/2018	ISSUED FOR CONSTRUCTION	WR	JY
AS BUILT	10/25/2018	AS BUILT	WR	JY
			NA	NA
			NA	NA
			NA	NA

DRAWN BY: wrasmussen
ENGINEERED BY: J.S.Y., M.E.
APPROVED BY: _____
DATE: 7/25/2018
PROJECT NO. 217250-1-1
REV. IFC 1.0

DRAWING NO. **M-8**
SHT 8 OF 45



PLAN VIEW
Cable Tray Layout



SECTION A-A

NOTES:

ROOF IS HIDDEN FOR CLARITY.

THE CABLE TRAY WILL BE HELD UP NEAR THE WALL BY UNISTRUT MOUNTED TO THE WALL USING STANDARD L-BRACKETS. CABLE TRAY AWAY FROM THE WALL WILL BE ATTACHED TO THE CEILING USING A UNISTRUT TRAPEZE, ALL THREAD, AND THREADED ANCHORS DRILLED INTO THE CEILING. SEE SHEET M-10 FOR DETAILS.

CABLE TRAY MAX LOAD SHALL NOT EXCEED 100 PLF FOR 24" TRAY.

SPACING BETWEEN UNISTRUT HANGERS SHALL NOT EXCEED 4'-0" O.C.



1511 SOUTH HIGHWAY 6, PRICE, UT 84501
PHONE: (435) 637-7160 FAX: (435) 637-9601

8221 EAST 96TH AVE, UNIT A, HENDERSON, CO 80640
PHONE: (720) 409-1000

100 VALLEY DRIVE, SOUTHPOINT, OH 45680
PHONE: (740) 414-4770 FAX: (606) 644-0432

400 SWAN AVENUE, CENTRALIA, IL 62801
PHONE: (618) 214-1063 FAX: (606) 644-0442

AS BUILT

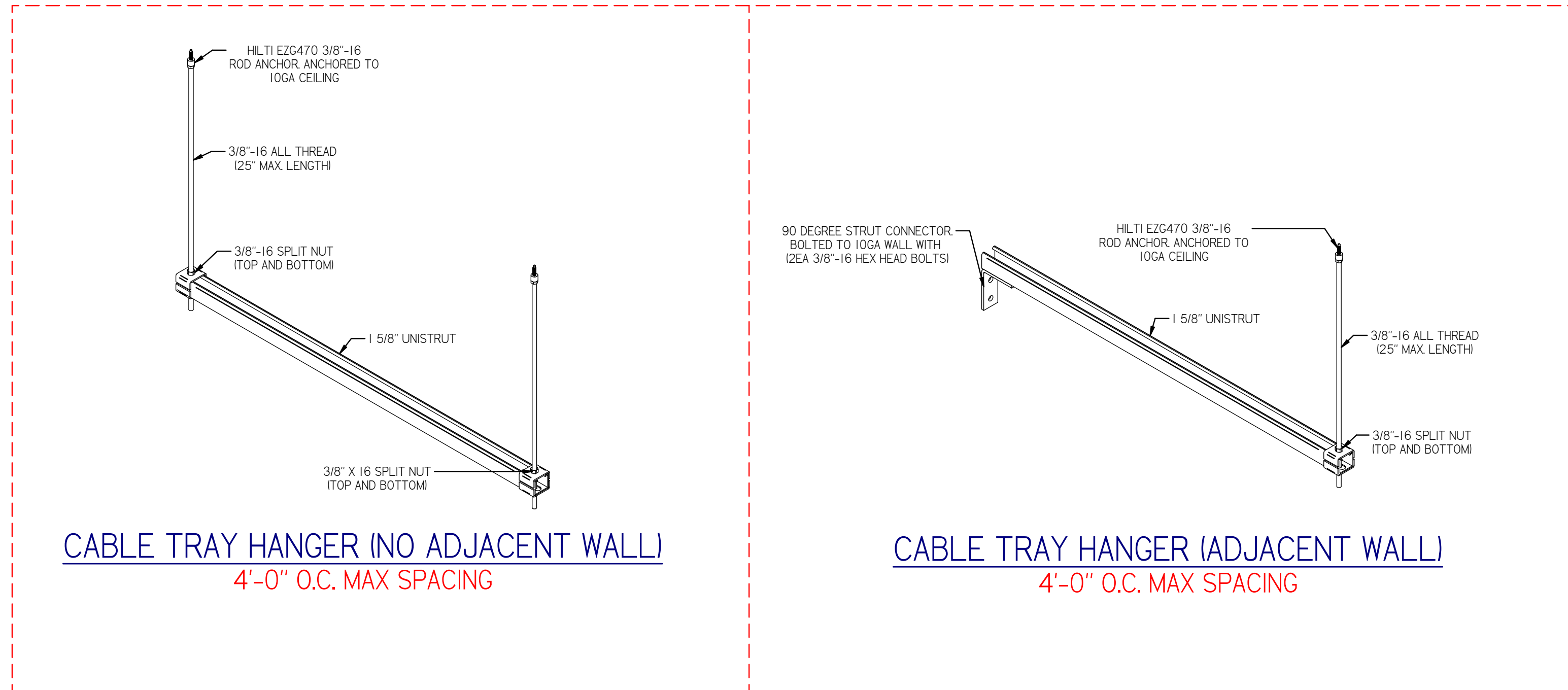
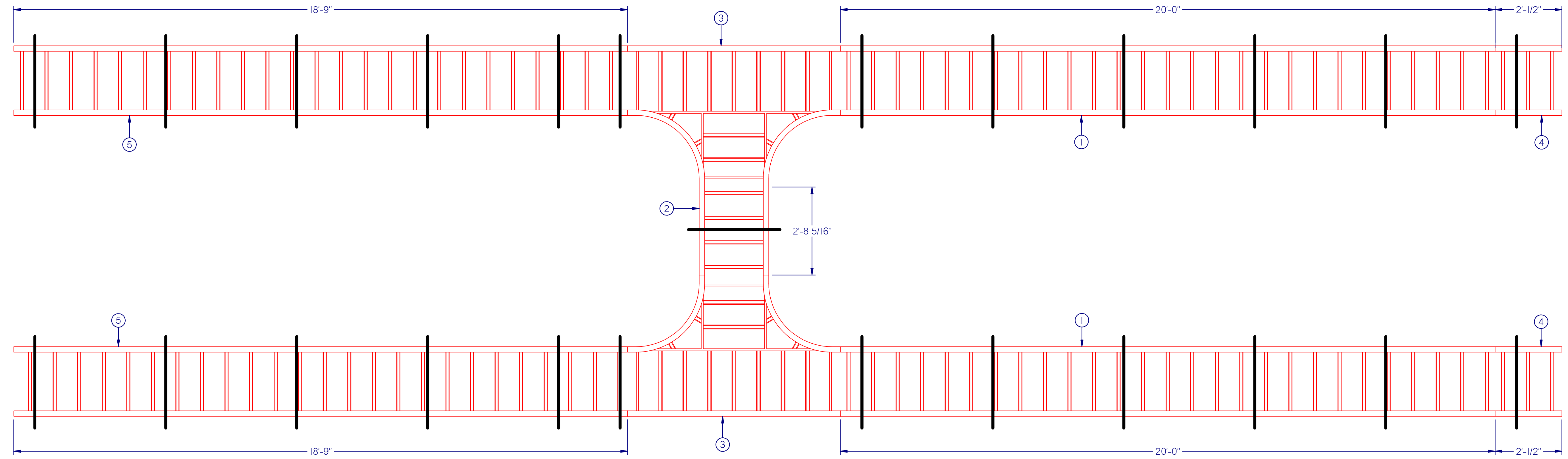
PDC ENERGY
PDC-1000
CABLE TRAY LAYOUT

REVISIONS

Rev:	Date:	Description:	By:	Approved:
FR 2.0	8/30/2018	ISSUED FOR REVIEW 2.0 - UPDATED PER P. E. L. REDLINES DATED 8/29/2018	WR	JY
FR 3.0	9/4/2018	ISSUED FOR REVIEW 3.0 - UPDATED PER P. E. L. AND ENGINEER REDLINES DATED 8/31/2018	WR	JY
IFC 1.0	9/7/2018	ISSUED FOR CONSTRUCTION	WR	JY
AS BUILT	10/25/2018	AS BUILT	WR	JY
			NA	NA
			NA	NA
			NA	NA

DRAWN BY: wrasmussen
 ENGINEERED BY: J.S.Y., M.E.
 APPROVED BY: -
 DATE: 7/25/2018
 PROJECT NO. **217250-1-1** REV. **IFC 1.0**

DRAWING NO. **M-9**
 SHT **9** OF **45**



CABLE TRAY PARTS LIST			
Item Number	Quantity	File Name	Length
1	2	26A09-24-240	20'-0"
2	1	26A09-24-240	2'-8 5/16"
3	2	6A-24-HT24	N/A
4	2	26A09-24-240	2'-1/2"
5	2	26A09-24-240	18'-9"

NOTES:

THE CABLE TRAY WILL BE HELD UP NEAR THE WALL BY UNISTRUT MOUNTED TO THE WALL USING STANDARD L-BRACKETS. CABLE TRAY AWAY FROM THE WALL WILL BE ATTACHED TO THE CEILING USING A UNISTRUT TRAPEZE, ALL THREAD, AND THREADED ANCHORS DRILLED INTO THE CEILING.

SPACING BETWEEN THE UNISTRUT HANGERS SHALL NOT EXCEED 4'-0" O.C.

CABLE TRAY MAX LOAD SHALL NOT EXCEED X PLF FOR 24" TRAY.

UNISTRUT LOCATIONS DEPICTED IN DETAIL ABOVE ARE SUBJECT TO CHANGE PER NEC AND INDIVIDUAL BUILDING REQUIREMENTS.



1511 SOUTH HIGHWAY 6, PRICE, UT 84501
PHONE: (435) 637-7160 FAX: (435) 637-9601

8221 EAST 96TH AVE, UNIT A, HENDERSON, CO 80640
PHONE: (720) 409-1000

100 VALLEY DRIVE, SOUTHPOINT, OH 45680
PHONE: (740) 414-4770 FAX: (606) 644-0432

400 SWAN AVENUE, CENTRALIA, IL 62801
PHONE: (618) 214-1063 FAX: (606) 644-0442

www.intermountainelectronics.com

AS BUILT

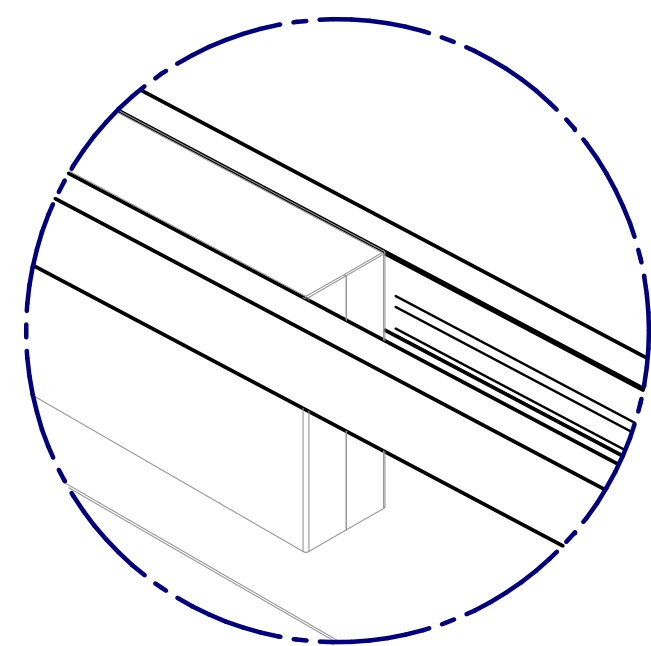
PDC ENERGY
PDC-1000
CABLE TRAY DETAILS

REVISIONS

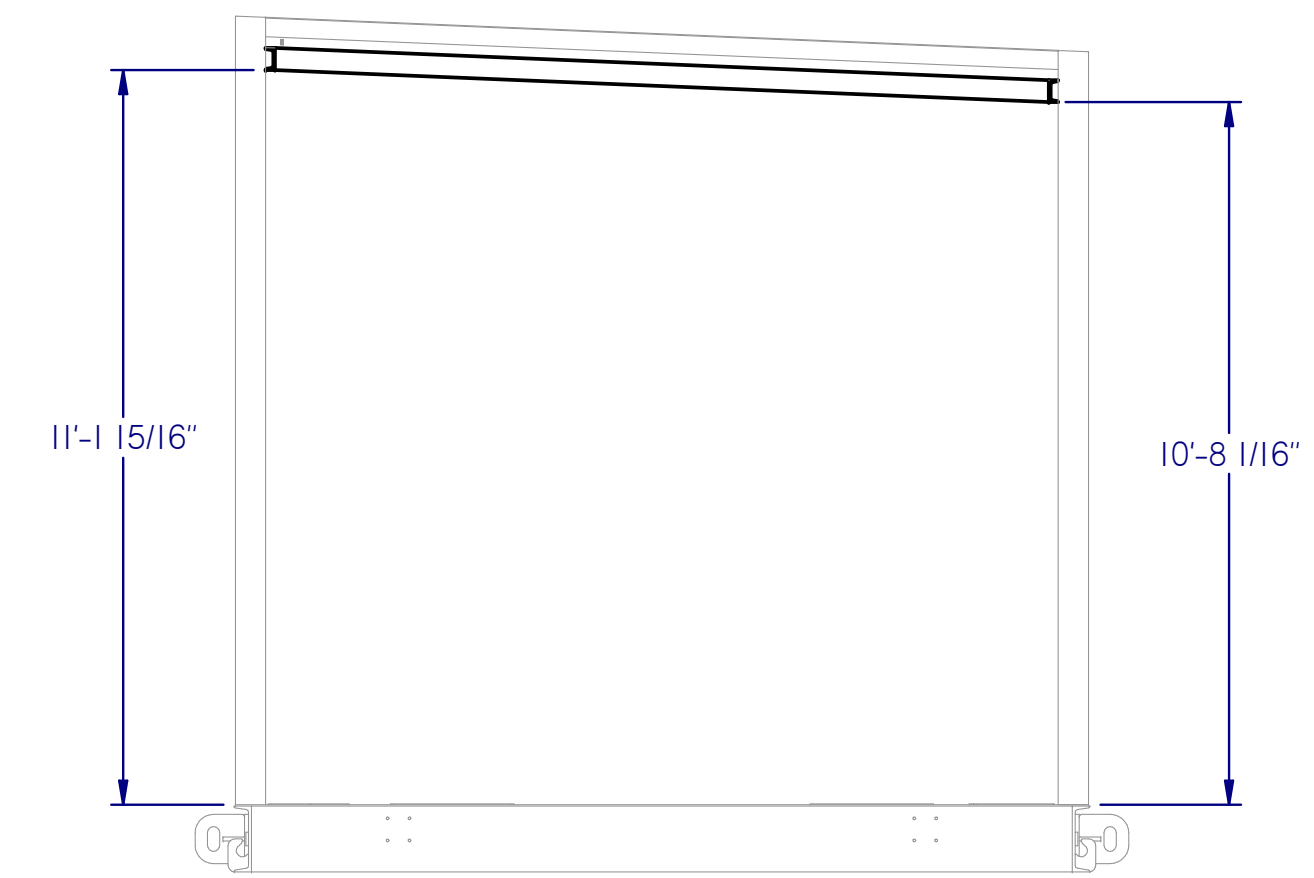
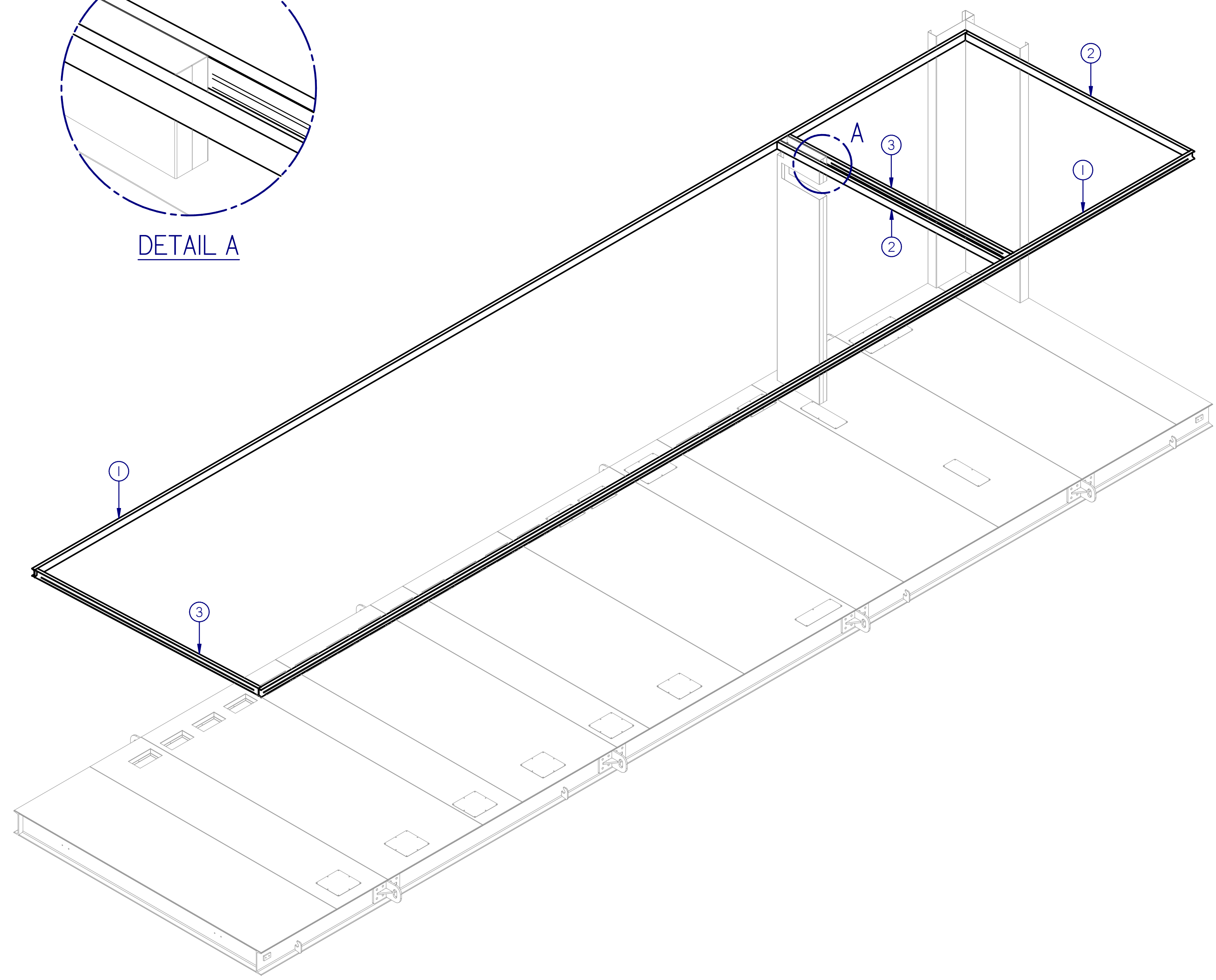
Rev:	Date:	Description:	By:	Approved:
FR 2.0	8/30/2018	ISSUED FOR REVIEW 2.0 - UPDATED PER P. E. L. REDLINES DATED 8/29/2018	WR	JY
FR 3.0	9/4/2018	ISSUED FOR REVIEW 3.0 - UPDATED PER P. E. L. AND ENGINEER REDLINES DATED 8/31/2018	WR	JY
IFC 1.0	9/7/2018	ISSUED FOR CONSTRUCTION	WR	JY
AS BUILT	10/25/2018	AS BUILT	NA	NA
			NA	NA
			NA	NA
			NA	NA

DRAWN BY: wrasmussen
ENGINEERED BY: J.S.Y., M.E.
APPROVED BY: -
DATE: 7/25/2018
PROJECT NO. 217250-1-1
REV. IFC 1.0

DRAWING NO. M-10
SHT 10 OF 45



DETAIL A

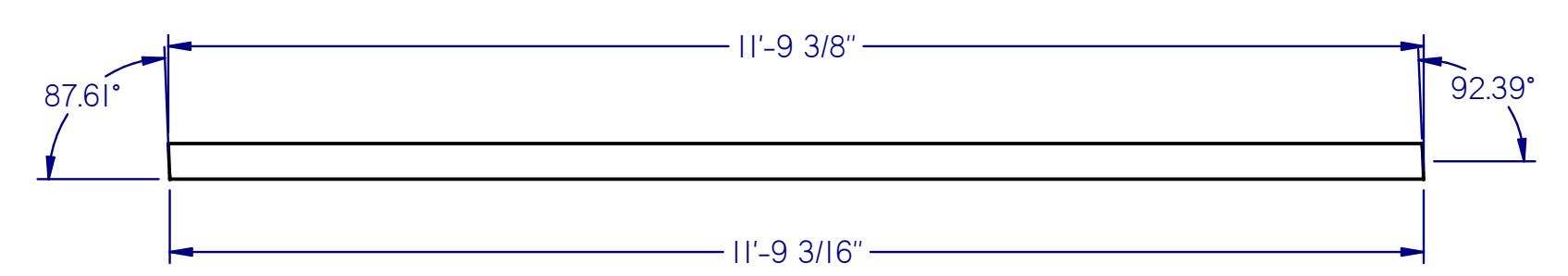


NOTES

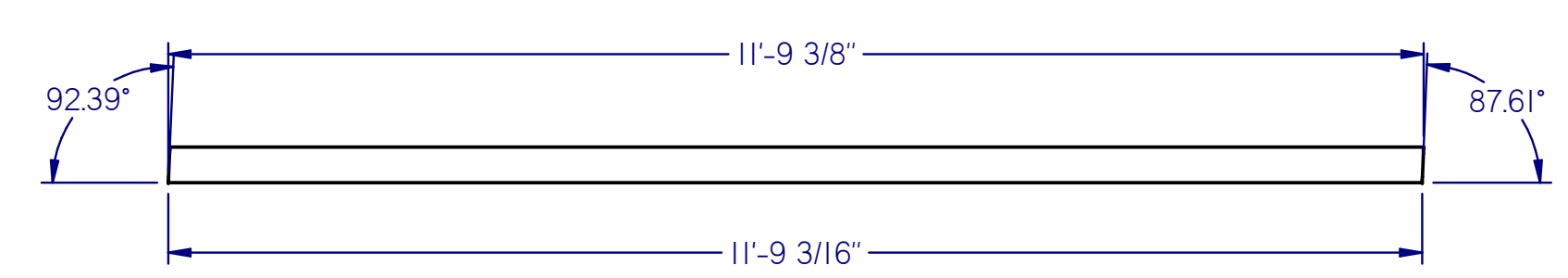
ALL CHANNEL VIEWS ARE ORIENTED TOE OUT OF PAGE.

VERIFY LENGTH BEFORE CUTTING.

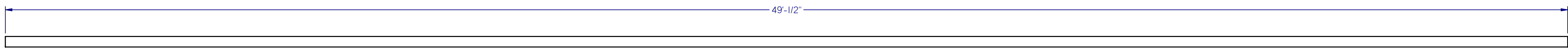
PERIMETER CHANNEL CUT LIST		
Item Number	Quantity	File Name
1	2	Section_ASTM_A36_2008_in_C_4x7.25_v12.00
2	2	Section_ASTM_A36_2008_in_C_4x7.25_v12.00_1
3	2	Section_ASTM_A36_2008_in_C_4x7.25_v12.00_2



Section_ASTM_A36_2008_in_C_4x7.25_v12.00_1
Item #2 - 2 Each



Section_ASTM_A36_2008_in_C_4x7.25_v12.00_2
Item #3 - 2 Each



Section_ASTM_A36_2008_in_C_4x7.25_v12.00
Item #1 - 2 Each



1511 SOUTH HIGHWAY 6, PRICE, UT 84501
PHONE: (435) 637-7160 FAX: (435) 637-9601

8221 EAST 96TH AVE, UNIT A, HENDERSON, CO 80640
PHONE: (720) 409-1000

100 VALLEY DRIVE, SOUTHPOINT, OH 45680
PHONE: (740) 414-4770 FAX: (606) 644-0432

400 SWAN AVENUE, CENTRALIA, IL 62801
PHONE: (618) 214-1063 FAX: (606) 644-0442

AS BUILT

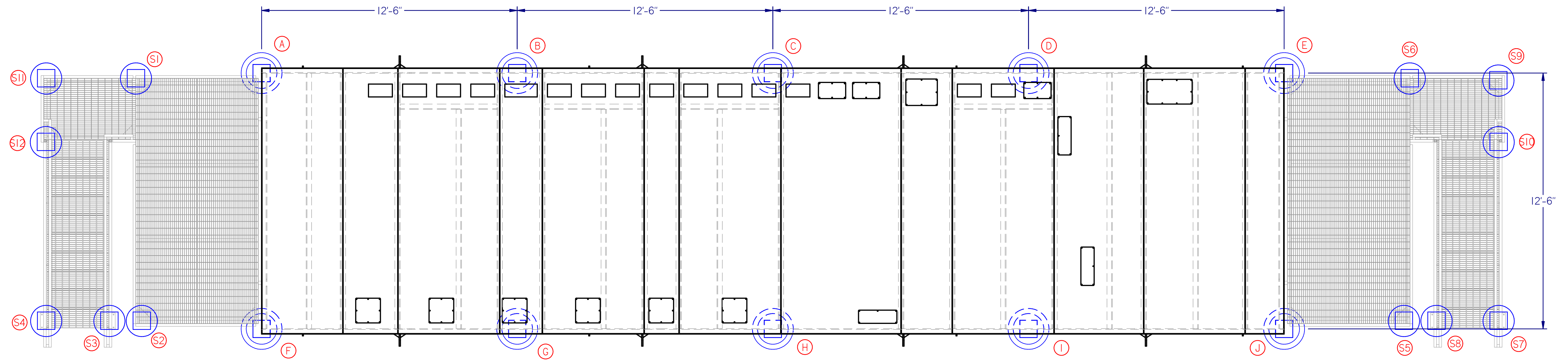
PDC ENERGY
PDC-1000
PERIMETER CHANNEL CUT LIST

REVISIONS

Rev:	Date:	Description:	By:	Approved:
FR 2.0	8/30/2018	ISSUED FOR REVIEW 2.0 - UPDATED PER P. E. L. REDLINES DATED 8/29/2018	WR	JY
FR 3.0	9/4/2018	ISSUED FOR REVIEW 3.0 - UPDATED PER P. E. L. AND ENGINEER REDLINES DATED 8/31/2018	WR	JY
IFC 1.0	9/7/2018	ISSUED FOR CONSTRUCTION	WR	JY
AS BUILT	10/25/2018	AS BUILT	WR	JY
			NA	NA
			NA	NA
			NA	NA

DRAWN BY: wrasmussen
ENGINEERED BY: J.S.Y., M.E.
APPROVED BY: -
DATE: 7/25/2018
PROJECT NO. **217250-1-1** REV. **IFC 1.0**

DRAWING NO. **M-11**
SHT **11** OF **45**



**PDC ENERGY 217250-1-1
BUILDING PIER REACTIONS**

PLAN VIEW
Foundation Details

WIDTH 13 FT		LENGTH 50		HT. 13 FT	
BUILDING CODE	2015 IBC	WIND		SEISMIC	
FLOOR DEAD LOAD =	59 PSF (INCLUDES CABLE TRAYS) + EQUIPMENT*	RISK CATEGORY	III	RISK CATEGORY	III
ROOF DEAD LOAD =	32 PSF (INCLUDES CABLE TRAYS)	V =	120 MPH	I =	1.25
WALL DEAD LOAD =	14 PSF	EXPOSURE	C	R =	2
FLOOR LIVE LOAD =	250 PSF	qh =	28.2 PSF	SITE C	D
ROOF LIVE LOAD =	20 PSF	WIND =	18.1 PSF	SDC	B
SNOW LOAD =	30 PSF	LEE =	12 PSF	Ss =	0.152
ICE LOAD =	0 PSF	ROOF =	31.2 PSF	S1 =	0.048
		INT. =	5.1 PSF	SDS =	0.162
		V =	21.085 KIPS	SD1 =	0.077
				CS =	0.101
				V =	14.532 KIPS

REACTIONS (UNFACTORED)																
LOCATION	DEAD		LIVE		ROOF		SNOW		WIND UP/DN		WIND SHEAR	SEISMIC UP/DN		SEISMIC SHEAR		
A	6.36	kips	9.79	kips	0.80	kips	1.71	kips	5.46	kips	3.29	kips	3.89	kips	2.29	kips
B	13.36	kips	23.49	kips	1.85	kips	2.78	kips	-	kips	1.32	kips	-	kips	1.45	kips
C	10.95	kips	19.06	kips	1.51	kips	2.27	kips	-	kips	1.32	kips	-	kips	1.45	kips
D	13.17	kips	22.94	kips	1.85	kips	2.78	kips	-	kips	1.32	kips	-	kips	1.45	kips
E	5.52	kips	9.59	kips	0.80	kips	1.66	kips	5.46	kips	3.29	kips	3.89	kips	2.29	kips
F	7.02	kips	11.79	kips	0.98	kips	1.99	kips	5.46	kips	3.29	kips	3.89	kips	2.29	kips
G	9.66	kips	20.43	kips	1.63	kips	2.44	kips	-	kips	1.32	kips	-	kips	1.45	kips
H	9.36	kips	20.03	kips	1.63	kips	2.44	kips	-	kips	1.32	kips	-	kips	1.45	kips
I	10.47	kips	20.08	kips	1.63	kips	2.44	kips	-	kips	1.32	kips	-	kips	1.45	kips
J	6.46	kips	11.85	kips	0.98	kips	1.95	kips	5.46	kips	3.29	kips	3.89	kips	2.29	kips
S1	0.72	kips	2.667	kips												
S2	0.52	kips	1.781	kips												
S3	0.69	kips	3.048	kips												
S4	0.10	kips	0.286	kips												
S5	0.47	kips	1.607	kips												
S6	0.59	kips	2.209	kips												
S7	0.10	kips	0.523	kips												
S8	0.72	kips	3.148	kips												
S9	0.10	kips	0.401	kips												
S10	0.44	kips	2.045	kips												
S11	0.18	kips	0.716	kips												
S12	0.50	kips	2.251	kips												

FOUNDATION AND BUILDING ATTACHMENTS SHALL BE DESIGNED BY OTHERS. FOUNDATION SHALL BE 5'-0" MAX TALL PIERS SPACED AS SHOWN. DESIGN FOUNDATION AND BUILDING ATTACHMENTS FOR LOADS INDICATED IN THE BUILDING PIER REACTIONS TABLE.



1511 SOUTH HIGHWAY 6, PRICE, UT 84501
PHONE: (435) 637-7160 FAX: (435) 637-9601
8221 EAST 96TH AVE, UNIT A, HENDERSON, CO 80640
PHONE: (720) 409-1000
100 VALLEY DRIVE, SOUTHPOINT, OH 45680
PHONE: (740) 414-4770 FAX: (606) 644-0432
400 SWAN AVENUE, CENTRALIA, IL 62801
PHONE: (618) 214-1063 FAX: (606) 644-0442

AS BUILT

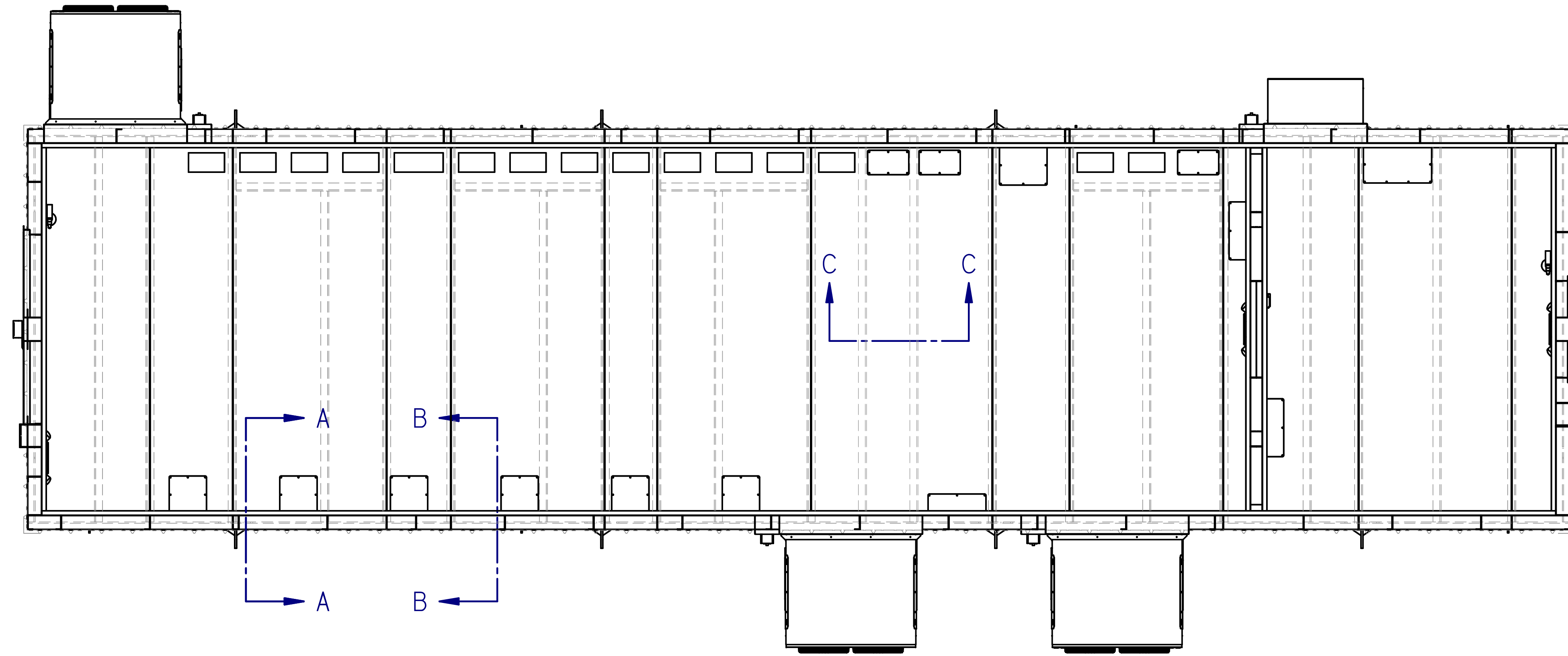
**PDC ENERGY
PDC-1000
FOUNDATION DETAILS**

REVISIONS

Rev:	Date:	Description:	By:	Approved:
FR 2.0	8/30/2018	ISSUED FOR REVIEW 2.0 - UPDATED PER P. E. L. REDLINES DATED 8/29/2018	WR	JY
FR 3.0	9/4/2018	ISSUED FOR REVIEW 3.0 - UPDATED PER P. E. L. AND ENGINEER REDLINES DATED 8/31/2018	WR	JY
FC 1.0	9/7/2018	ISSUED FOR CONSTRUCTION	WR	JY
AS BUILT	10/25/2018	AS BUILT	WR	JY
			NA	NA
			NA	NA
			NA	NA
			NA	NA

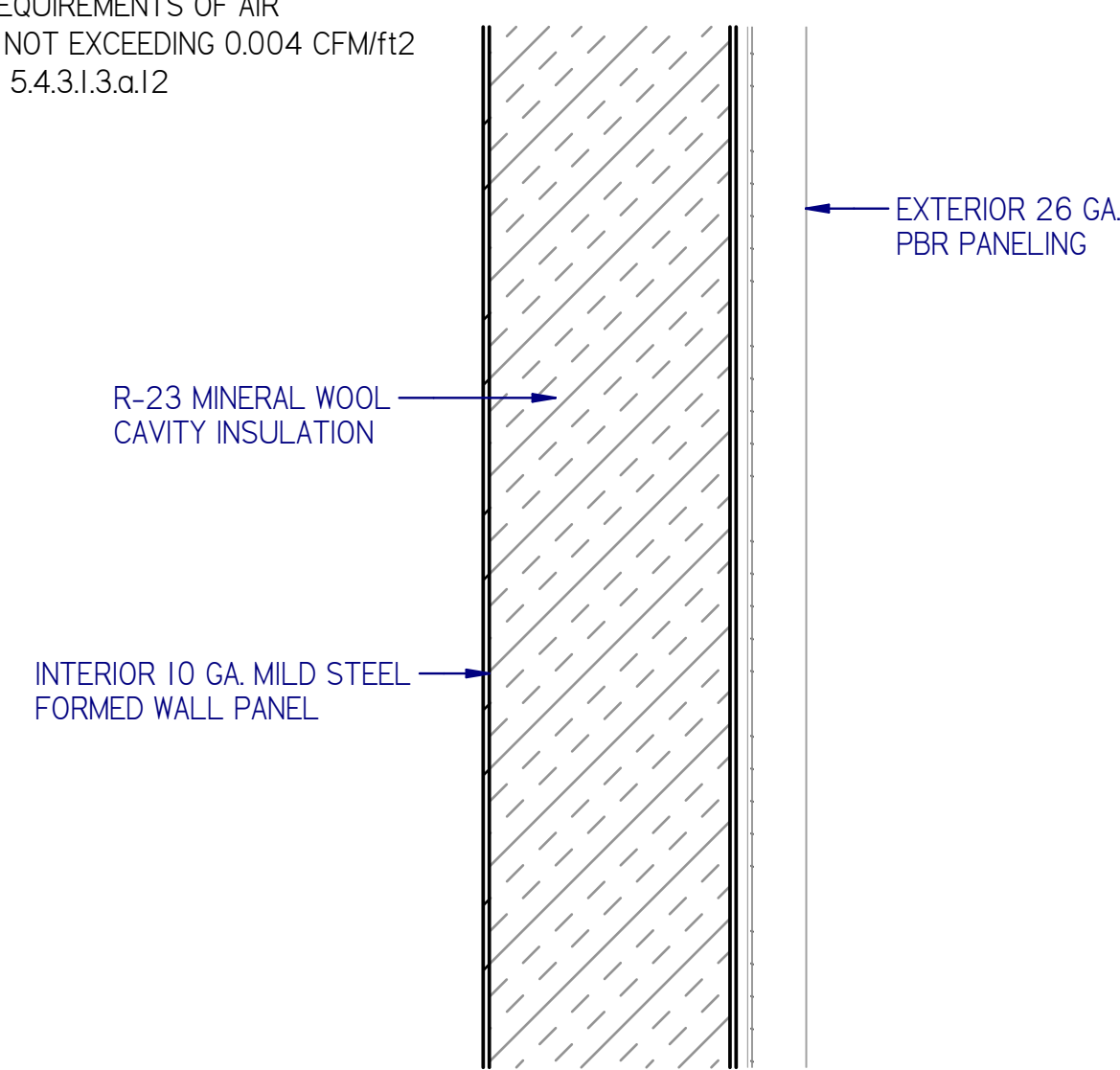
DRAWN BY: wrasmussen
ENGINEERED BY: J.S.Y., M.E.
APPROVED BY: -
DATE: 7/25/2018
PROJECT NO. 217250-1-1
REV. IFC 1.0

DRAWING NO. M-12
SHT 12 OF 45

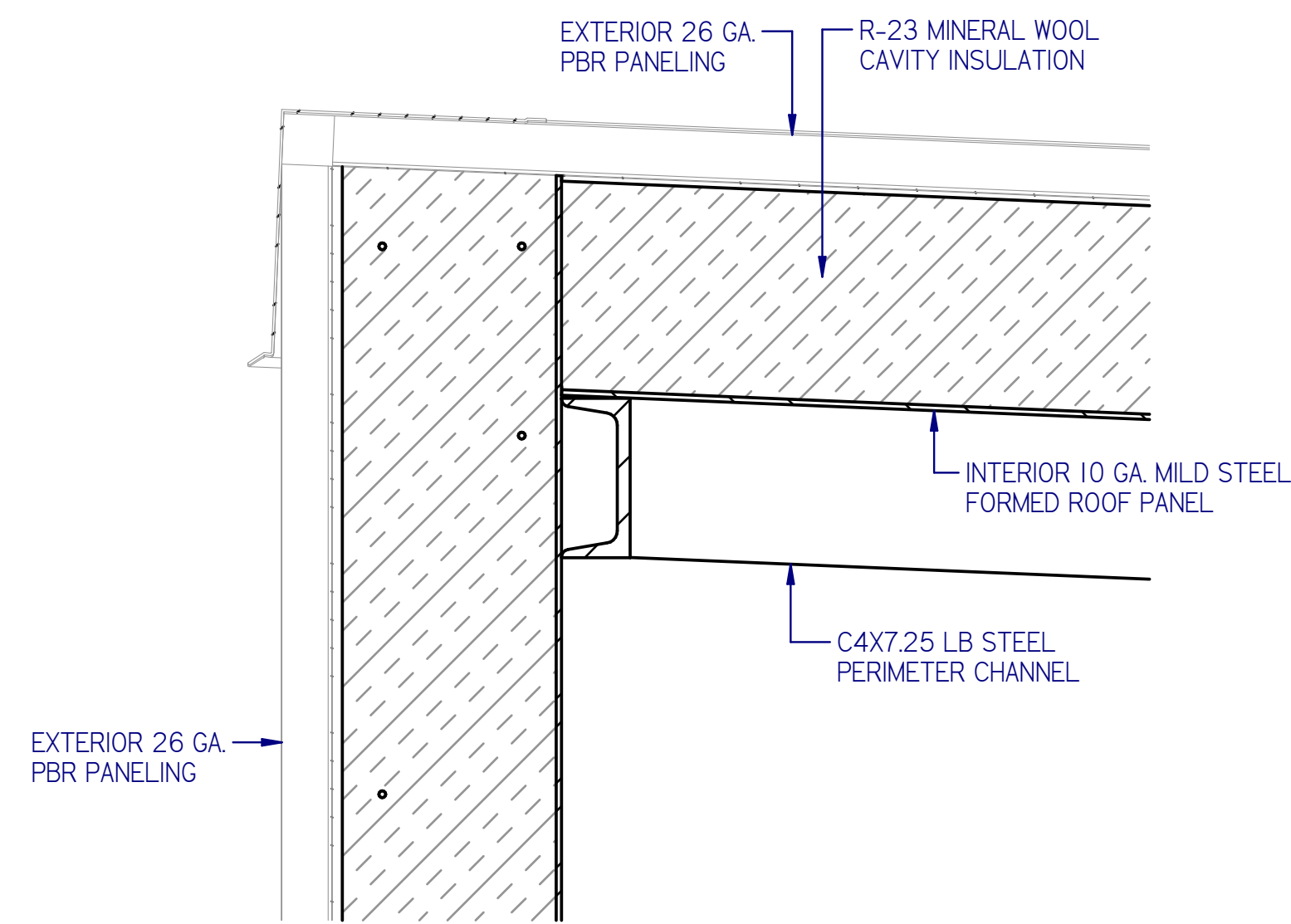


PLAN VIEW
Insulation Details

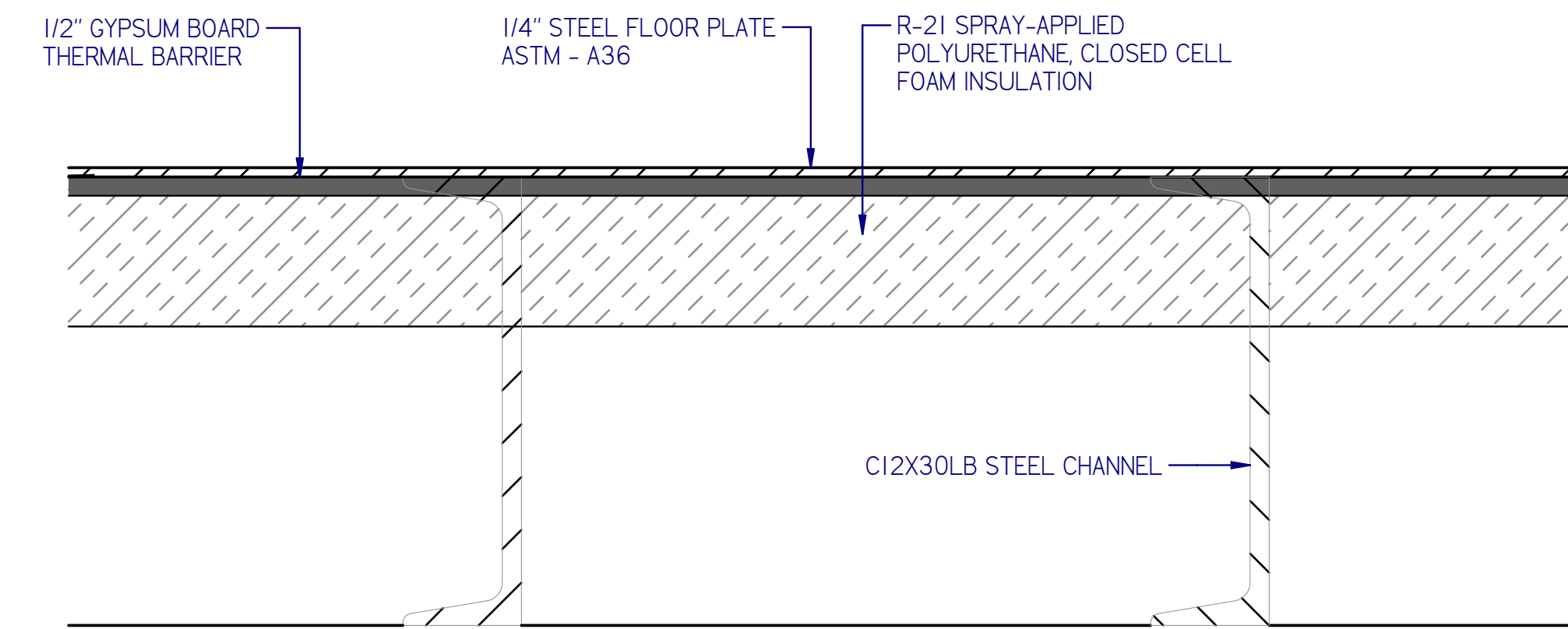
NOTE:
AIR BARRIER COMPRISED OF SHEET STEEL
AND SILICONE ON EXTERIOR SEAMS WHICH
MEET THE REQUIREMENTS OF AIR
PERMEANCE NOT EXCEEDING 0.004 CFM/ft²
PER ASHRAE 5.4.3.1.3.a.12



SECTION A-A
TYPICAL WALL DETAIL CUT-AWAY



SECTION B-B
TYPICAL ROOF DETAIL CUT-AWAY



SECTION C-C
TYPICAL FLOOR DETAIL CUT-AWAY



1511 SOUTH HIGHWAY 6, PRICE, UT 84501
PHONE: (435) 637-7160 FAX: (435) 637-9601
8221 EAST 96TH AVE, UNIT A, HENDERSON, CO 80640
PHONE: (720) 409-1000
100 VALLEY DRIVE, SOUTHPOINT, OH 45680
PHONE: (740) 414-4770 FAX: (606) 644-0432
400 SWAN AVENUE, CENTRALIA, IL 62801
PHONE: (618) 214-1063 FAX: (606) 644-0442

AS BUILT

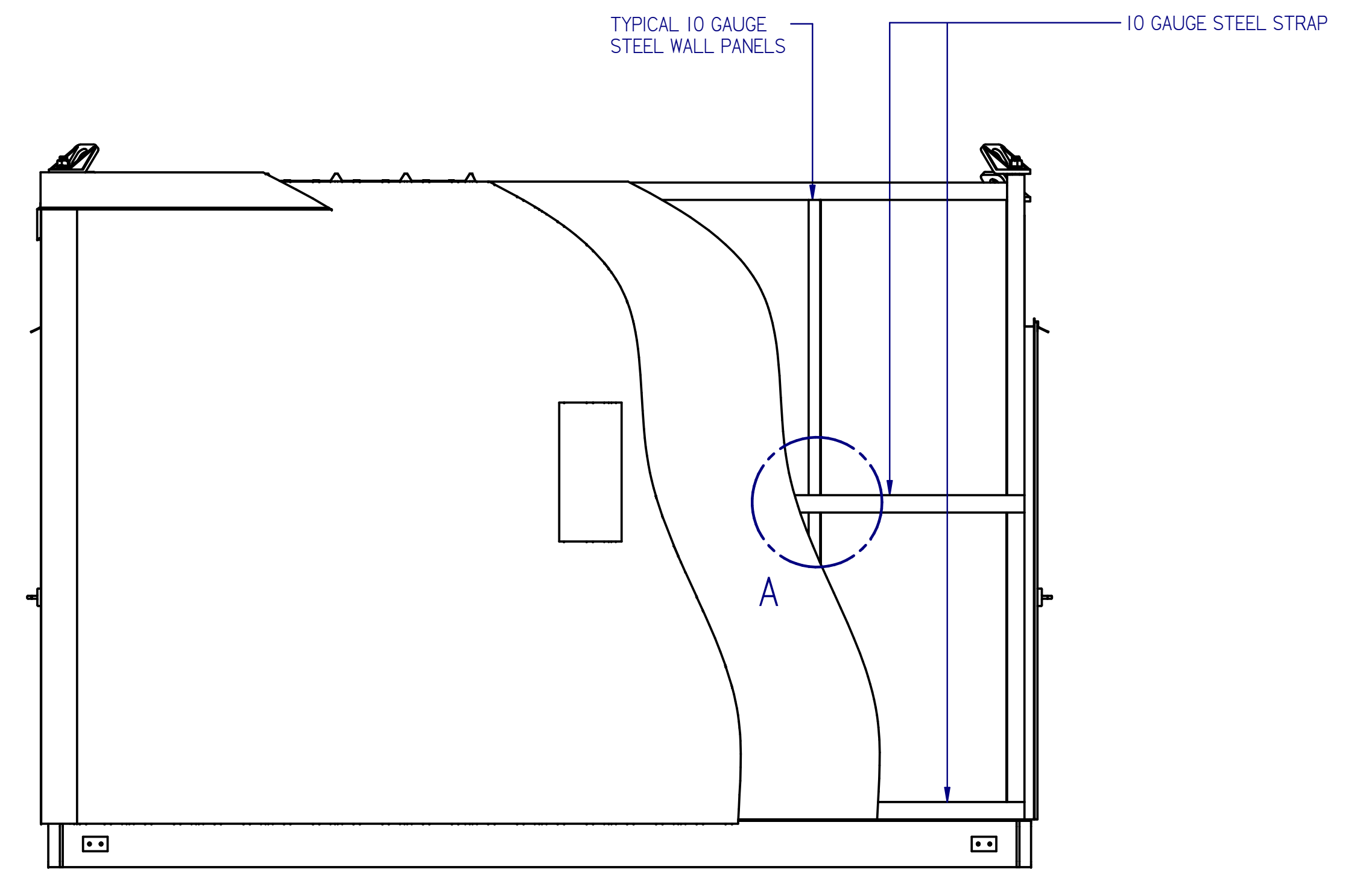
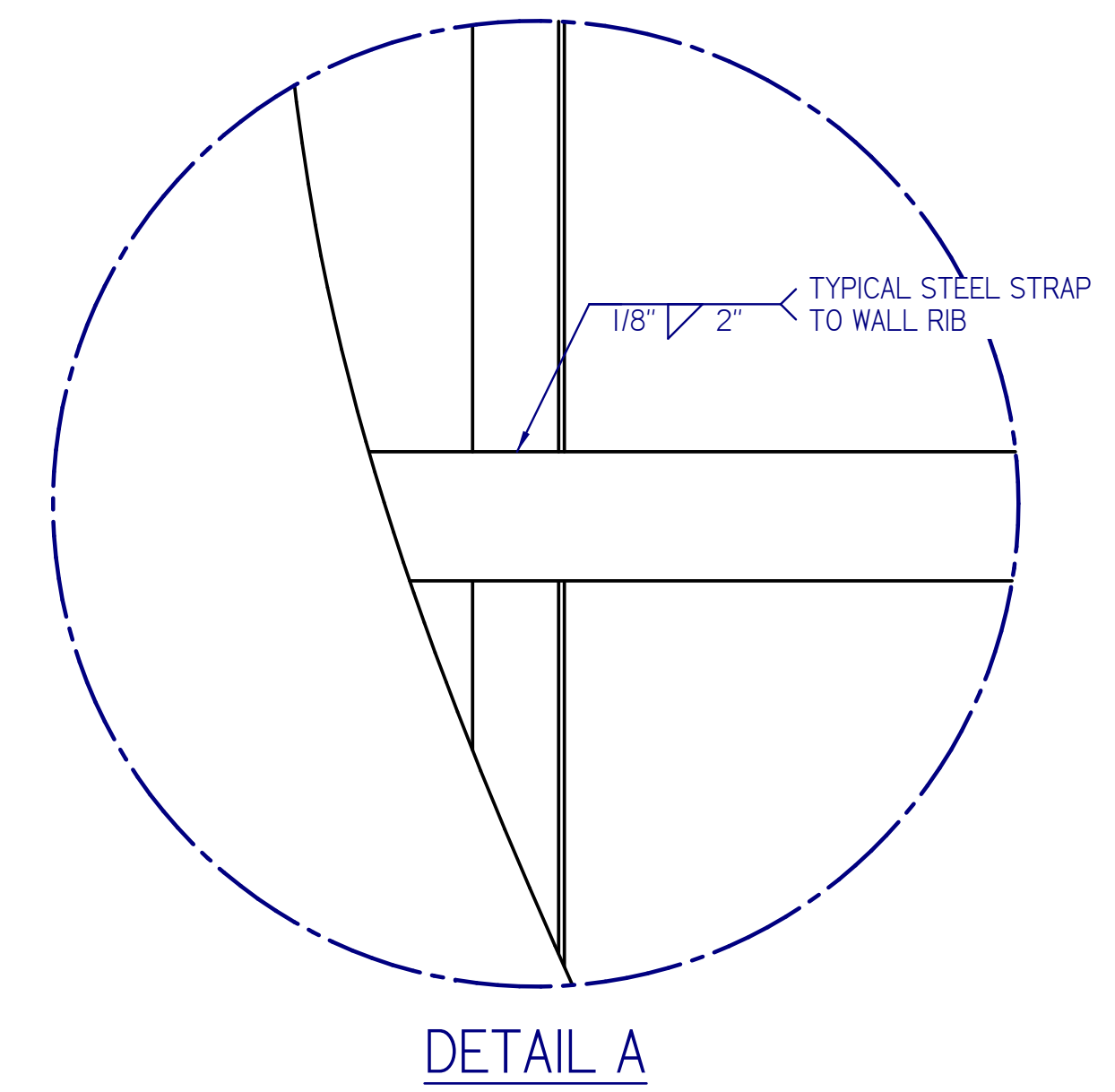
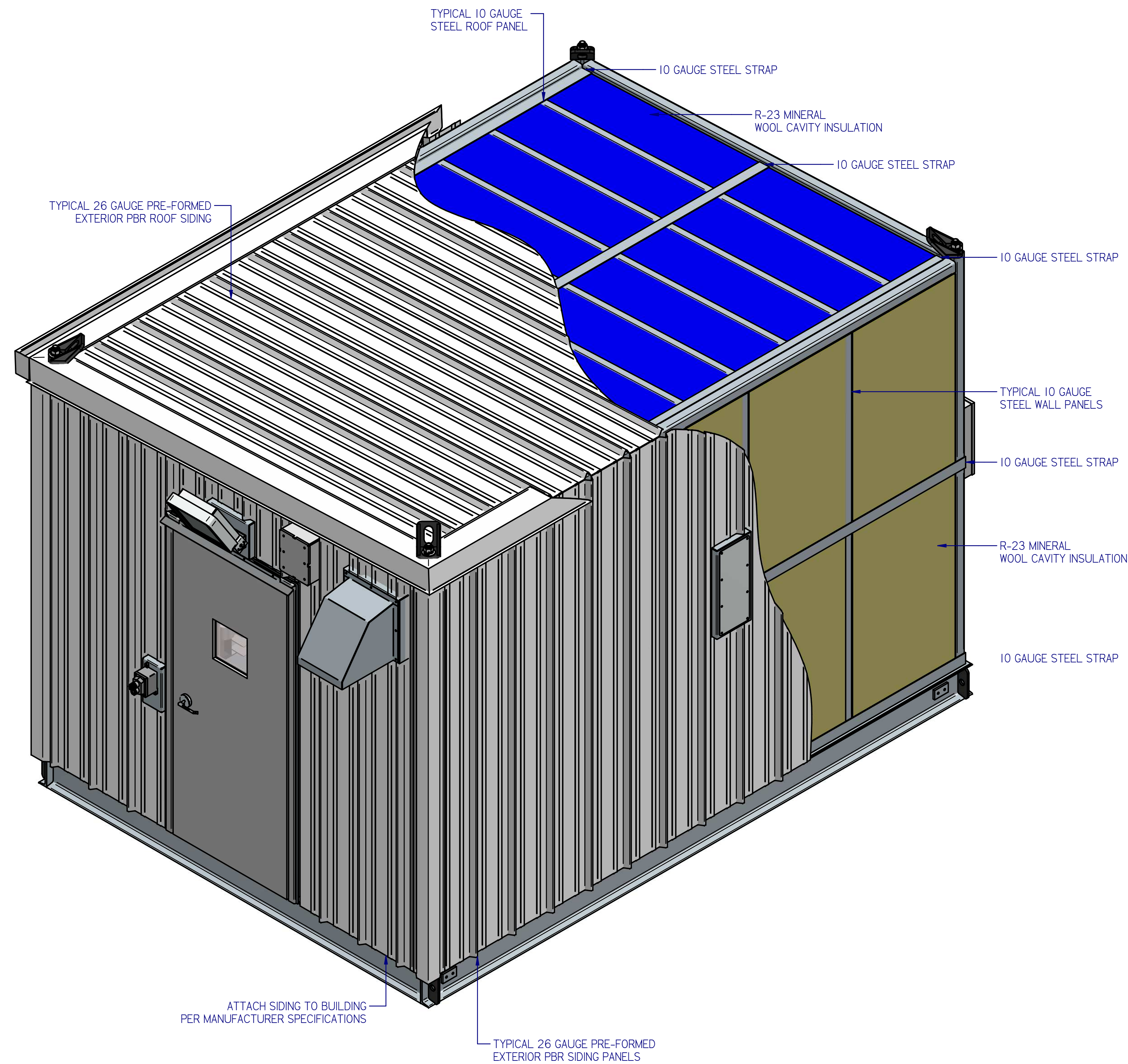
PDC ENERGY
PDC-1000
INSULATION DETAILS

REVISIONS

Rev:	Date:	Description:	By:	Approved:
FR 2.0	8/30/2018	ISSUED FOR REVIEW 2.0 - UPDATED PER P. E. L. REDLINES DATED 8/29/2018	WR	JY
FR 3.0	9/4/2018	ISSUED FOR REVIEW 3.0 - UPDATED PER P. E. L. AND ENGINEER REDLINES DATED 8/31/2018	WR	JY
IFC 1.0	9/7/2018	ISSUED FOR CONSTRUCTION	WR	JY
AS BUILT	10/25/2018	AS BUILT	WR	JY
			NA	NA
			NA	NA
			NA	NA

DRAWN BY: wrasmussen
ENGINEERED BY: J.S.Y., M.E.
APPROVED BY: -
DATE: 7/25/2018
PROJECT NO. 217250-1-1
REV. IFC 1.0

DRAWING NO. **M-13**
SHT 13 OF 45



TYPICAL WALL PANEL FURRING FOR EXTERIOR SHEETING ATTACHMENT

(THIS MODEL IS FOR ATTACHMENT STANDARDS ONLY AND DOES NOT REPRESENT THE ACTUAL MODEL)



- 1511 SOUTH HIGHWAY 6, PRICE, UT 84501
PHONE: (435) 637-7160 FAX: (435) 637-9601
- 8221 EAST 96TH AVE, UNIT A, HENDERSON, CO 80640
PHONE: (720) 409-1000
- 100 VALLEY DRIVE, SOUTHPOINT, OH 45680
PHONE: (740) 414-4770 FAX: (606) 644-0432
- 400 SWAN AVENUE, CENTRALIA, IL 62801
PHONE: (618) 214-1063 FAX: (606) 644-0442

AS BUILT

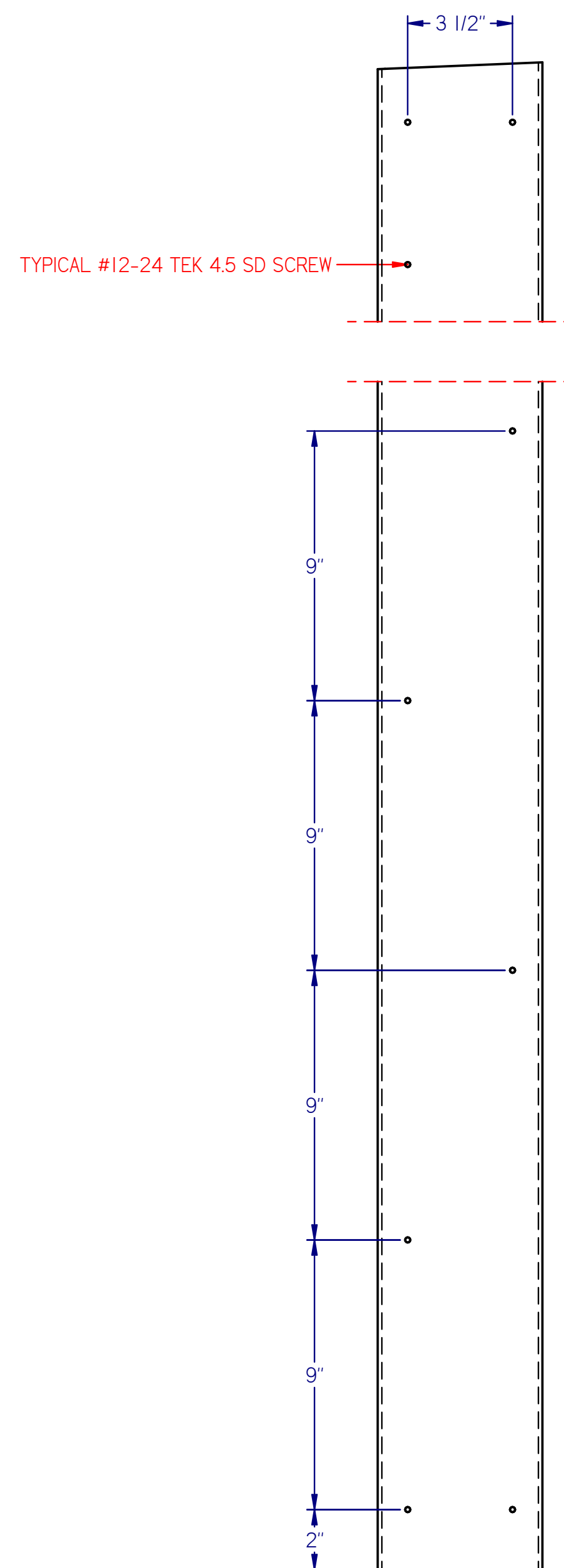
**PDC ENERGY
PDC-1000**

REVISIONS

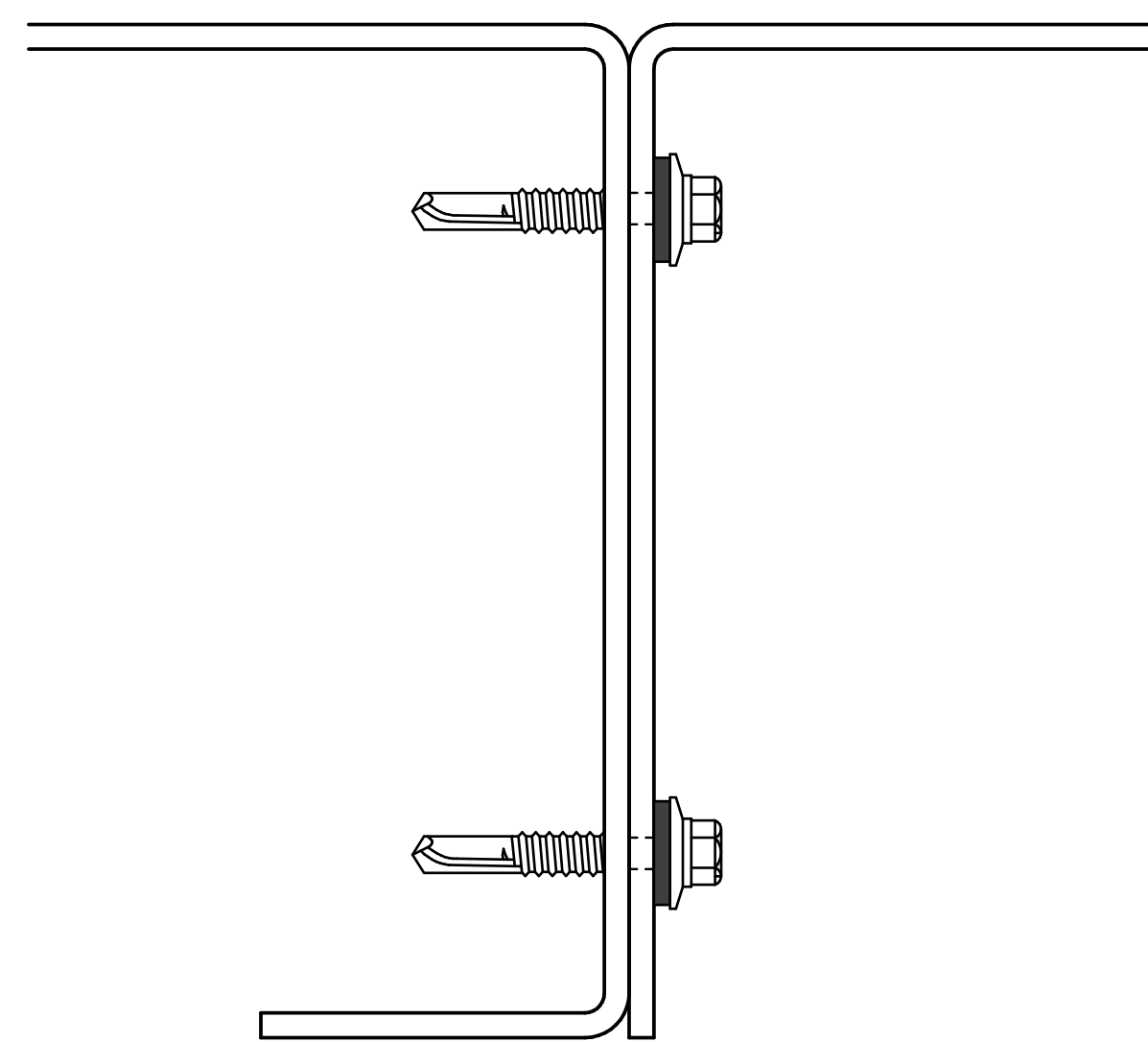
Rev:	Date:	Description:	By:	Approved:
FR 2.0	8/30/2018	ISSUED FOR REVIEW 2.0 - UPDATED PER P. E. L. REDLINES DATED 8/29/2018	WR	JY
FR 3.0	9/4/2018	ISSUED FOR REVIEW 3.0 - UPDATED PER P. E. L. AND ENGINEER REDLINES DATED 8/31/2018	WR	JY
IFC 1.0	9/7/2018	ISSUED FOR CONSTRUCTION	WR	JY
AS BUILT	10/25/2018	AS BUILT	WR	JY
			NA	NA
			NA	NA
			NA	NA
			NA	NA

DRAWN BY: wrasmussen
 ENGINEERED BY: J.S.Y., M.E.
 APPROVED BY: _____
 DATE: 7/25/2018
 PROJECT NO. 217250-1-1 REV. IFC 1.0

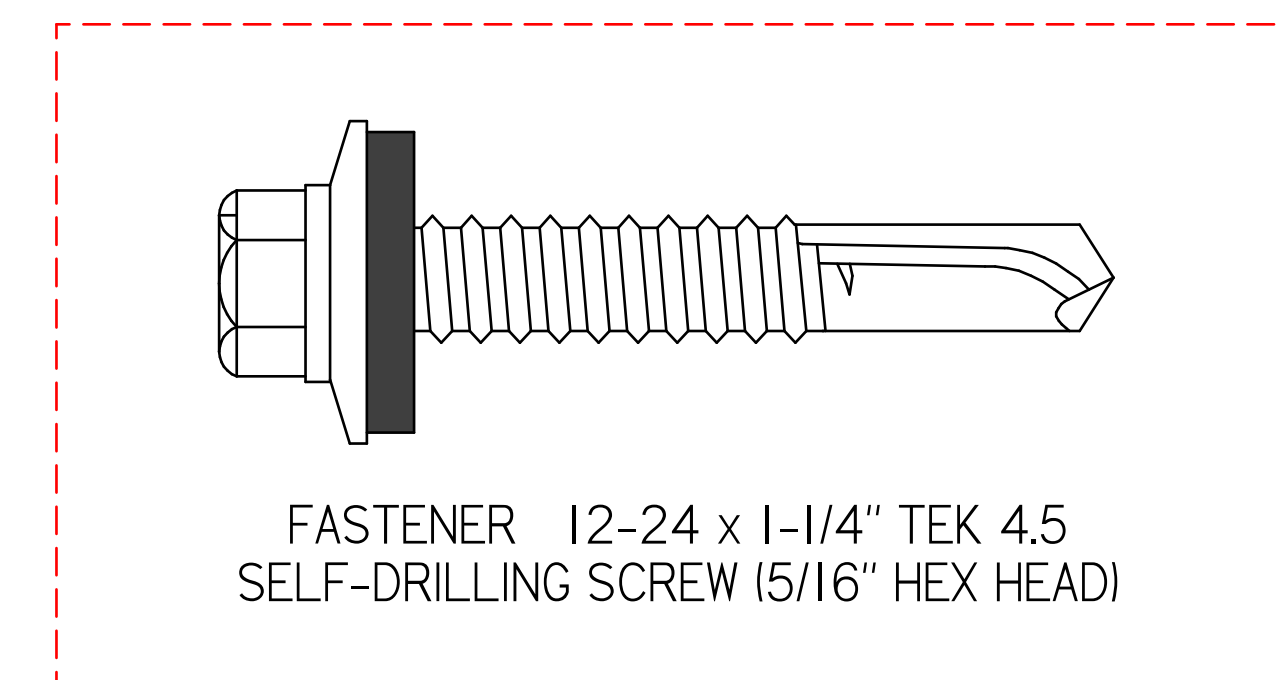
DRAWING NO. M-14
 SHT 14 OF 45



TYPICAL WALL PANEL SIDE VIEW
WALL PANEL HOLE SPACING



TYPICAL WALL PANEL TOP VIEW
WALL PANEL TO WALL PANEL CONNECTION



- Fasteners shall be #12-24 x 1-1/4" TEK 4.5 SD screws.
- Screws shall be spaced 9" on center max, alternating as shown, for wall panel to panel connections.
- Two screws shall be placed side by side not exceeding 2" from wall panel ends.



1511 SOUTH HIGHWAY 6, PRICE, UT 84501
PHONE: (435) 637-7160 FAX: (435) 637-9601

8221 EAST 96TH AVE, UNIT A, HENDERSON, CO 80640
PHONE: (720) 409-1000

100 VALLEY DRIVE, SOUTHPOINT, OH 45680
PHONE: (740) 414-4770 FAX: (606) 644-0432

400 SWAN AVENUE, CENTRALIA, IL 62801
PHONE: (618) 214-1063 FAX: (606) 644-0442

AS BUILT

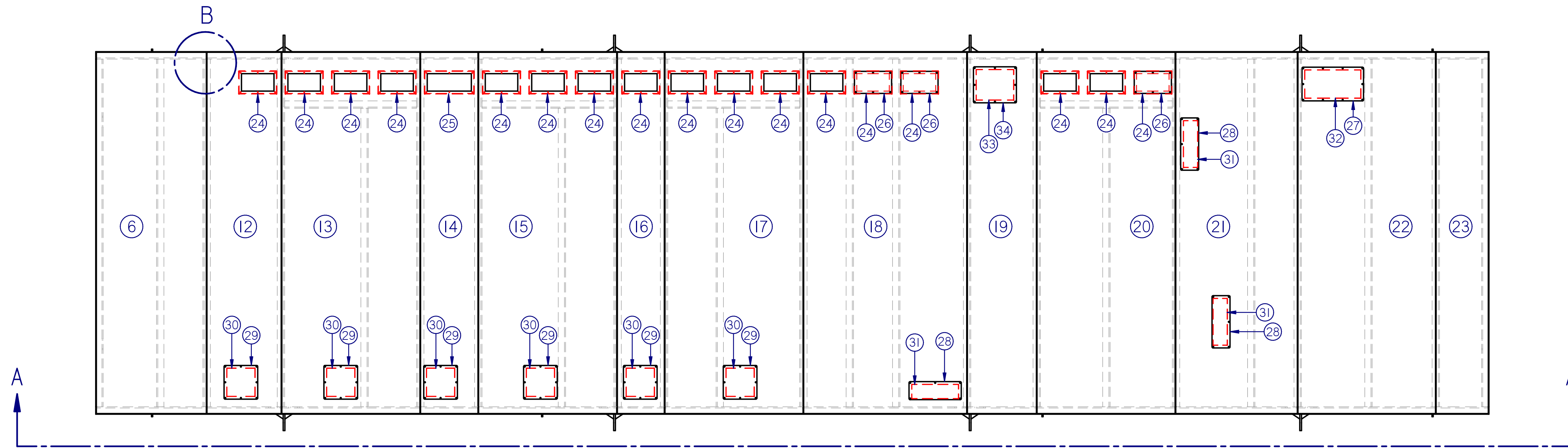
PDC ENERGY
PDC-1000
WALL PANEL CONNECTIONS

REVISIONS

Rev:	Date:	Description:	By:	Approved:
FR 2.0	8/30/2018	ISSUED FOR REVIEW 2.0 - UPDATED PER P. E. L. REDLINES DATED 8/29/2018	WR	JY
FR 3.0	9/4/2018	ISSUED FOR REVIEW 3.0 - UPDATED PER P. E. L. AND ENGINEER REDLINES DATED 8/31/2018	WR	JY
IFC 1.0	9/7/2018	ISSUED FOR CONSTRUCTION	WR	JY
AS BUILT	10/25/2018	AS BUILT	WR	JY
			NA	NA
			NA	NA
			NA	NA
			NA	NA

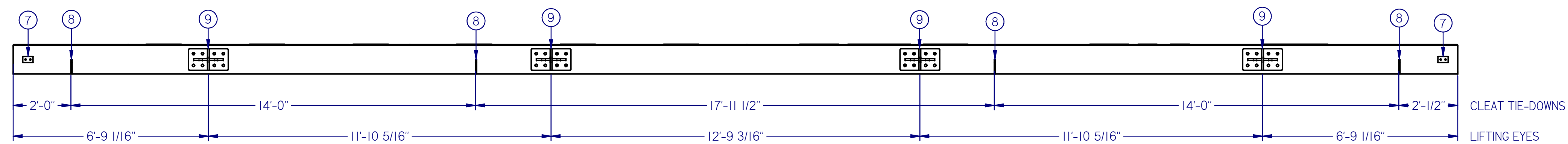
DRAWN BY: wrasmussen
ENGINEERED BY: J.S.Y., M.E.
APPROVED BY: -
DATE: 7/25/2018
PROJECT NO. 217250-1-1
REV. IFC 1.0

DRAWING NO. **M-15**
SHT 15 OF 45

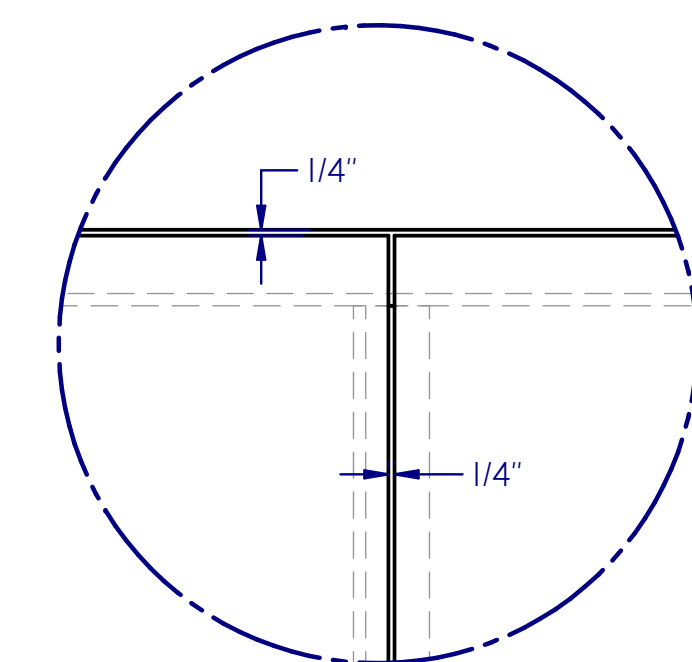


SKID - PLAN VIEW
Complete

SKID PARTS LIST		
Item Number	Quantity	File Name
6	1	217250 FS-A LSR
7	4	NEMA 2-HOLE SS GROUNDING PAD
8	8	CLEAT TIE-DOWN LSR
9	8	12INCH CHANNEL LIFTING EYE
12	1	217250 FS-B LSR
13	1	217250 FS-C LSR
14	1	217250 FS-D LSR
15	1	217250 FS-E LSR
16	1	217250 FS-F LSR
17	1	217250 FS-G LSR
18	1	217250 FS-H LSR
19	1	217250 FS-I LSR
20	1	217250 FS-J LSR
21	1	217250 FS-K LSR
22	1	217250 FS-L LSR
23	1	217250 FS-M LSR
24	17	217250 20IN MCC PULL BOX
25	1	217250 25IN MCC PULL BOX
26	3	217250 20IN MCC PULL BOX CVR LSR
27	1	217250 12X24 PLC ACC. CVR LSR
28	3	217250 6x20 LC ACC. CVR LSR
29	6	217250 12x12 VFD ACC. CVR LSR
30	6	217250 12x12 ENTRY FLASHING
31	3	217250 6x20 ENTRY FLASHING
32	1	217250 12x24 ENTRY FLASHING
33	1	217250 13x16 ENTRY FLASHING
34	1	217250 13x16 ATS ACC. CVR LSR



SECTION A-A



DETAIL B



1511 SOUTH HIGHWAY 6, PRICE, UT 84501
PHONE: (435) 637-7160 FAX: (435) 637-9601

8221 EAST 96TH AVE, UNIT A, HENDERSON, CO 80640
PHONE: (720) 409-1000

100 VALLEY DRIVE, SOUTHPOINT, OH 45680
PHONE: (740) 414-4770 FAX: (606) 644-0432

400 SWAN AVENUE, CENTRALIA, IL 62801
PHONE: (618) 214-1063 FAX: (606) 644-0442

AS BUILT

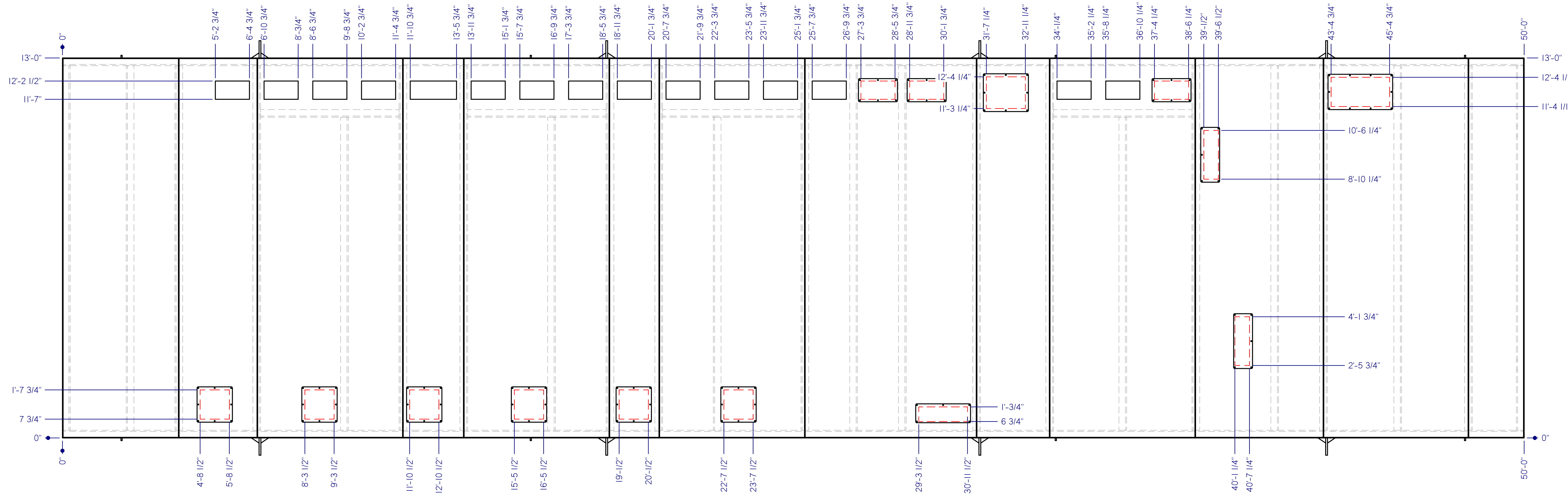
**PDC ENERGY
PDC-1000
SKID LAYOUT**

REVISIONS

Rev:	Date:	Description:	By:	Approved:
FR 2.0	8/30/2018	ISSUED FOR REVIEW 2.0 - UPDATED PER P. E. L. REDLINES DATED 8/29/2018	WR	JY
FR 3.0	9/4/2018	ISSUED FOR REVIEW 3.0 - UPDATED PER P. E. L. AND ENGINEER REDLINES DATED 8/31/2018	WR	JY
IFC 1.0	9/7/2018	ISSUED FOR CONSTRUCTION	WR	JY
AS BUILT	10/25/2018	AS BUILT	WR	JY
			NA	NA
			NA	NA
			NA	NA
			NA	NA

DRAWN BY: wrasmussen
ENGINEERED BY: J.S.Y., M.E.
APPROVED BY: -
DATE: 7/25/2018
PROJECT NO. 217250-1-1
REV. IFC 1.0

DRAWING NO. **M-16**
SHT 16 OF 45



SKID - PLAN VIEW
Floor Openings



1511 SOUTH HIGHWAY 6, PRICE, UT 84501
PHONE: (435) 637-7160 FAX: (435) 637-9601

8221 EAST 96TH AVE, UNIT A, HENDERSON, CO 80640
PHONE: (720) 409-1000

100 VALLEY DRIVE, SOUTHPOINT, OH 45680
PHONE: (740) 414-4770 FAX: (606) 644-0432

400 SWAN AVENUE, CENTRALIA, IL 62801
PHONE: (618) 214-1063 FAX: (606) 644-0442

www.intermountainelectronics.com

AS BUILT

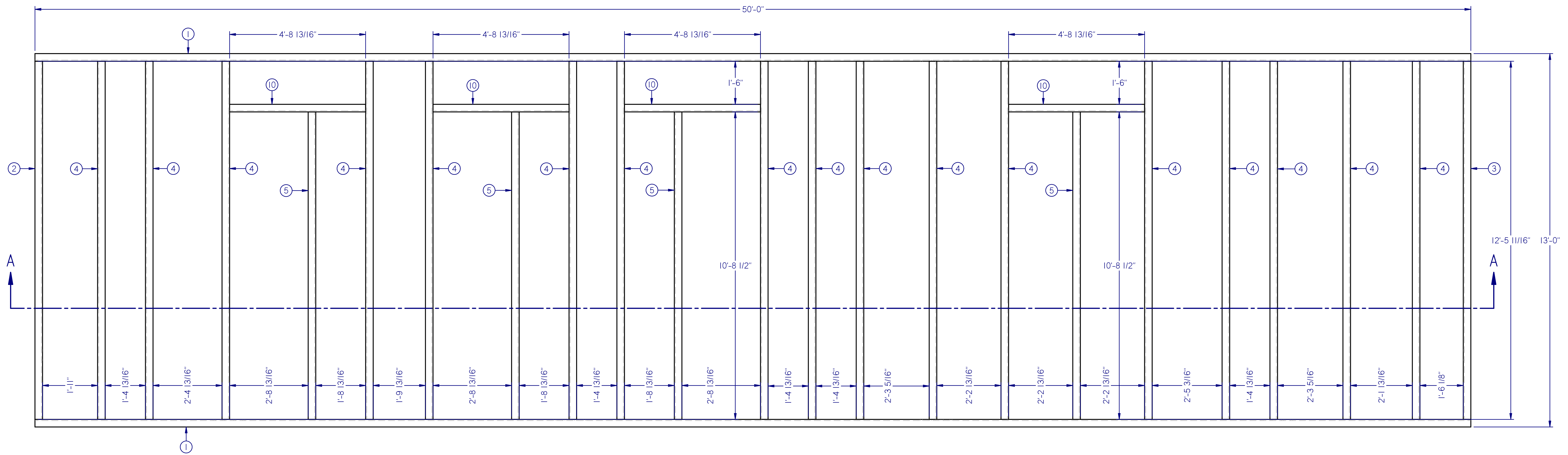
PDC ENERGY
PDC-1000
FLOOR OPENINGS

REVISIONS

Rev:	Date:	Description:	By:	Approved:
FR 2.0	8/30/2018	ISSUED FOR REVIEW 2.0 - UPDATED PER P. E. L. REDLINES DATED 8/29/2018	WR	JY
FR 3.0	9/4/2018	ISSUED FOR REVIEW 3.0 - UPDATED PER P. E. L. AND ENGINEER REDLINES DATED 8/31/2018	WR	JY
IFC 1.0	9/7/2018	ISSUED FOR CONSTRUCTION	WR	JY
AS BUILT	10/25/2018	AS BUILT	WR	JY
			NA	NA
			NA	NA
			NA	NA
			NA	NA

DRAWN BY: wrasmussen
ENGINEERED BY: J.S.Y., M.E.
APPROVED BY: -
DATE: 7/25/2018
PROJECT NO. 217250-1-1
REV. IFC 1.0

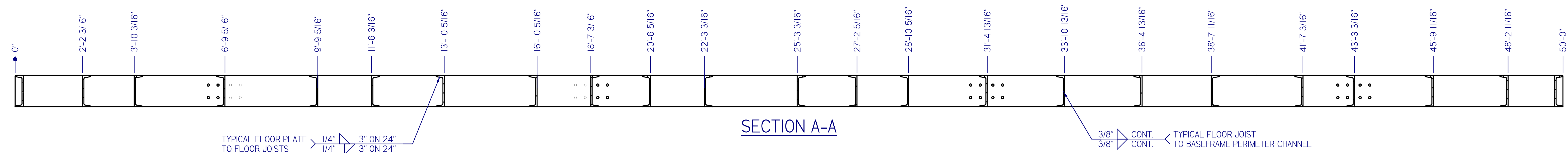
DRAWING NO. **M-17**
SHT 17 OF 45



SKID - PLAN VIEW
Frame Only

SKID CUT LIST DETAILS ON SHEET M-19

SKID CUT LIST		
Item Number	Quantity	File Name
1	2	Section_ASTM_A36_2008_in_C_12x30.00_v12.00
2	1	Section_ASTM_A36_2008_in_C_12x30.00_v12.00_1
3	1	Section_ASTM_A36_2008_in_C_12x30.00_v12.00_2
4	17	Section_ASTM_A36_2008_in_C_12x30.00_v12.00_3
5	4	Section_ASTM_A36_2008_in_C_12x30.00_v12.00_4
10	4	Section_ASTM_A36_2008_in_C_12x30.00_v12.00_5



SECTION A-A



1511 SOUTH HIGHWAY 6, PRICE, UT 84501
PHONE: (435) 637-7160 FAX: (435) 637-9601

8221 EAST 96TH AVE, UNIT A, HENDERSON, CO 80640
PHONE: (720) 409-1000

100 VALLEY DRIVE, SOUTHPOINT, OH 45680
PHONE: (740) 414-4770 FAX: (606) 644-0432

400 SWAN AVENUE, CENTRALIA, IL 62801
PHONE: (618) 214-1063 FAX: (606) 644-0442

AS BUILT

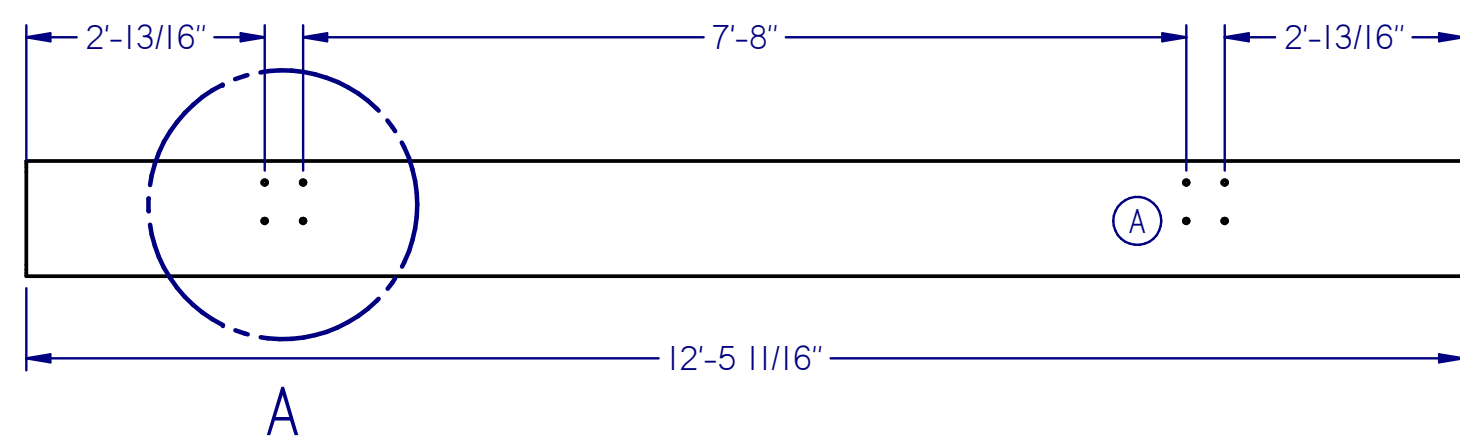
PDC ENERGY
PDC-1000
SKID CUT LIST

REVISIONS

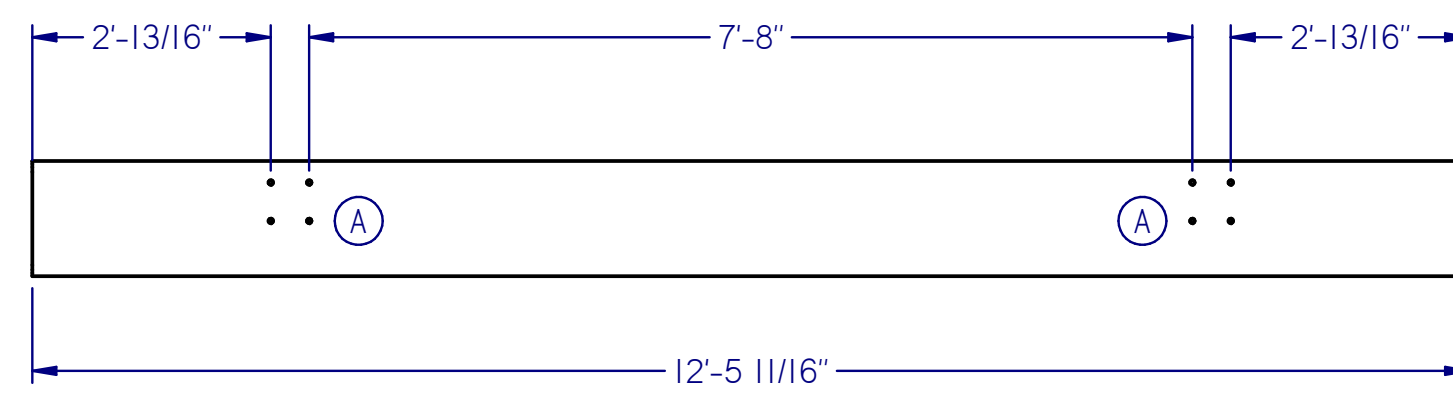
Rev:	Date:	Description:	By:	Approved:
FR 2.0	8/30/2018	ISSUED FOR REVIEW 2.0 - UPDATED PER P. E. L. REDLINES DATED 8/29/2018	WR	JY
FR 3.0	9/4/2018	ISSUED FOR REVIEW 3.0 - UPDATED PER P. E. L. AND ENGINEER REDLINES DATED 8/31/2018	WR	JY
FC 1.0	9/7/2018	ISSUED FOR CONSTRUCTION	WR	JY
AS BUILT	10/25/2018	AS BUILT	WR	JY
			NA	NA
			NA	NA
			NA	NA

DRAWN BY: wrasmussen
ENGINEERED BY: J.S.Y., M.E.
APPROVED BY: _____
DATE: 7/25/2018
PROJECT NO. 217250-1-1
REV. IFC 1.0

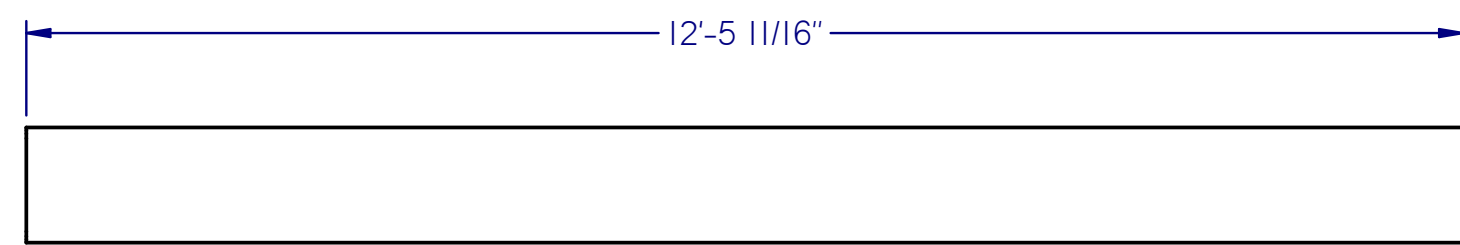
DRAWING NO. M-18
SHT 18 OF 45



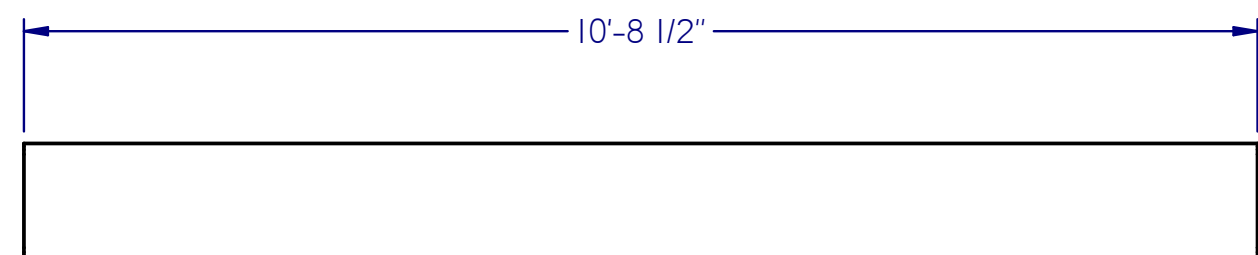
Section_ASTM_A36_2008_in_C_12x30.00_v12.00_1
Item #2 - 2 Each



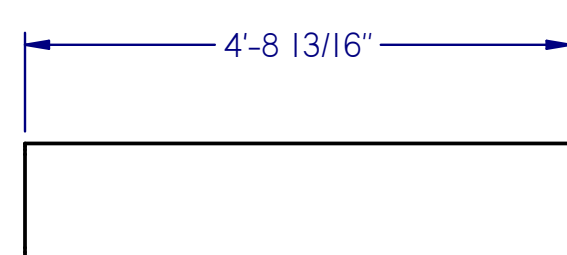
Section_ASTM_A36_2008_in_C_12x30.00_v12.00_2
Item #3 - 1 Each



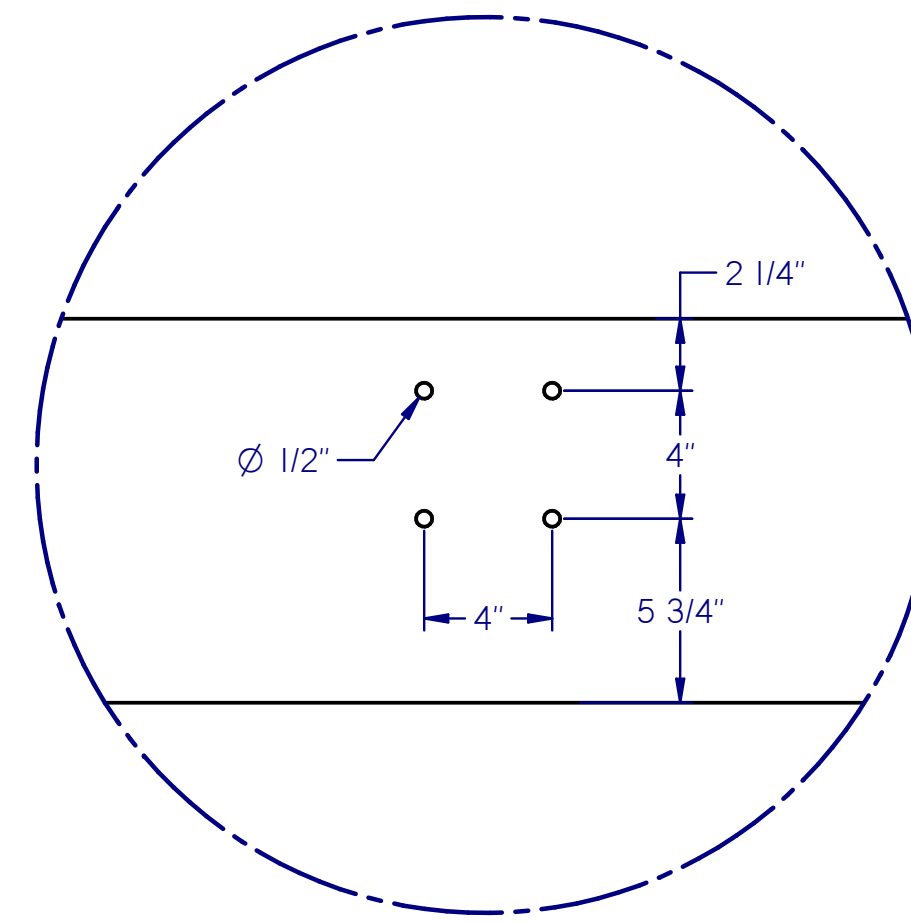
Section_ASTM_A36_2008_in_C_12x30.00_v12.00_3
Item #4 - 17 Each



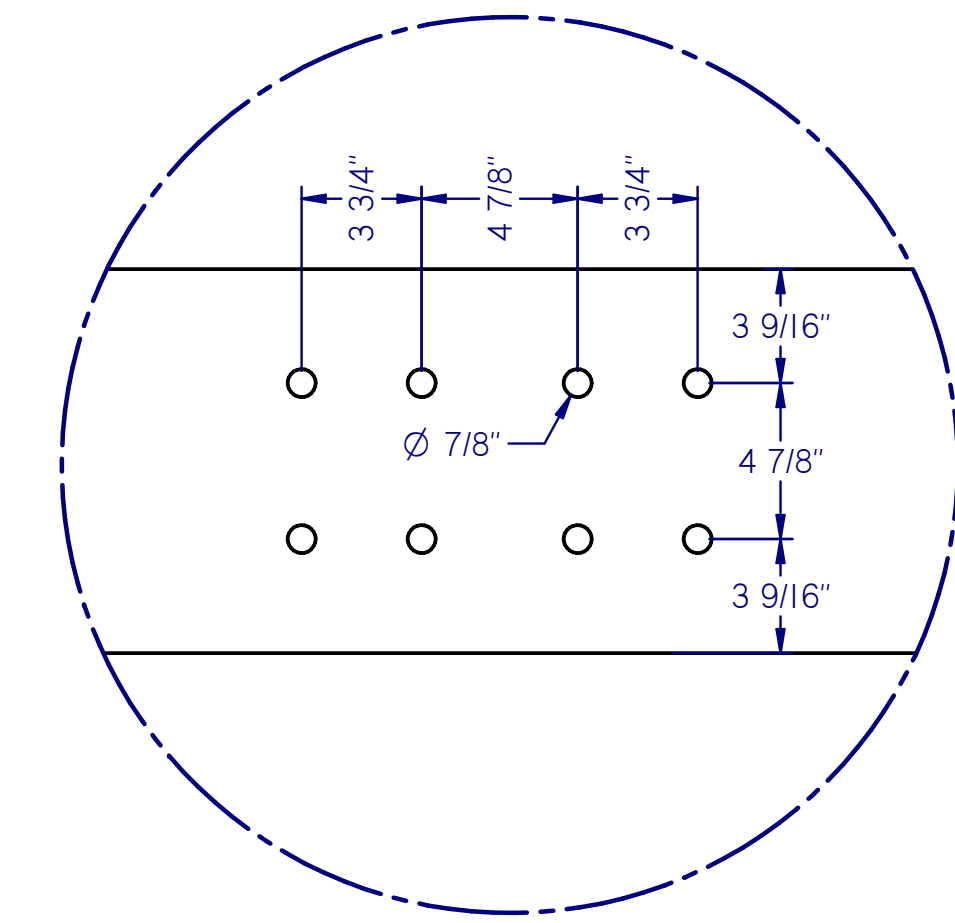
Section_ASTM_A36_2008_in_C_12x30.00_v12.00_4
Item #5 - 4 Each



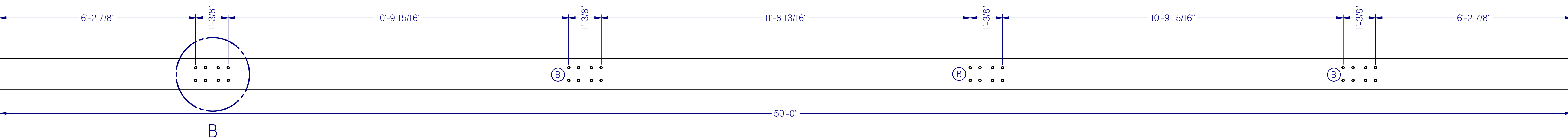
Section_ASTM_A36_2008_in_C_12x30.00_v12.00_5
Item #10 - 4 Each



DETAIL A
NOTE:
WELD 1/2"-13 SAE J995
GRADE 8 HEX NUTS TO
BACKSIDE OF CHANNEL.



DETAIL B
NOTE:
WELD 7/8"-9 SAE J995
GRADE 8 HEX NUTS TO
BACKSIDE OF CHANNEL.



Section_ASTM_A36_2008_in_C_12x30.00_v12.00
Item #1 - 2 Each

SKID CUT LIST		
Item Number	Quantity	File Name
1	2	Section_ASTM_A36_2008_in_C_12x30.00_v12.00
2	1	Section_ASTM_A36_2008_in_C_12x30.00_v12.00_1
3	1	Section_ASTM_A36_2008_in_C_12x30.00_v12.00_2
4	17	Section_ASTM_A36_2008_in_C_12x30.00_v12.00_3
5	4	Section_ASTM_A36_2008_in_C_12x30.00_v12.00_4
10	4	Section_ASTM_A36_2008_in_C_12x30.00_v12.00_5



1511 SOUTH HIGHWAY 6, PRICE, UT 84501
PHONE: (435) 637-7160 FAX: (435) 637-9601
8221 EAST 96TH AVE, UNIT A, HENDERSON, CO 80640
PHONE: (720) 409-1000
100 VALLEY DRIVE, SOUTHPOINT, OH 45680
PHONE: (740) 414-4770 FAX: (606) 644-0432
400 SWAN AVENUE, CENTRALIA, IL 62801
PHONE: (618) 214-1063 FAX: (606) 644-0442

AS BUILT

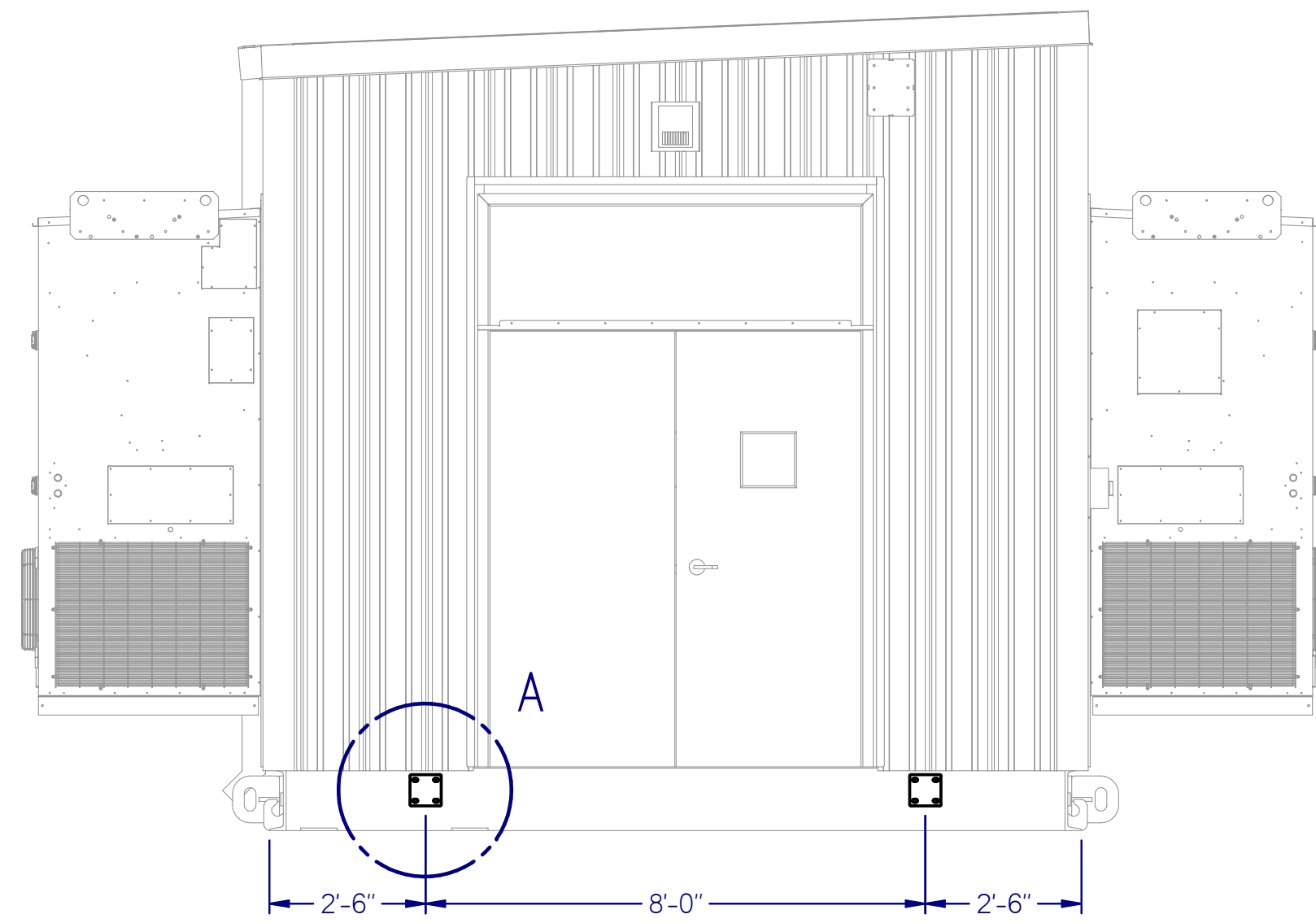
PDC ENERGY
PDC-1000
SKID CUT LIST DETAILS

REVISIONS

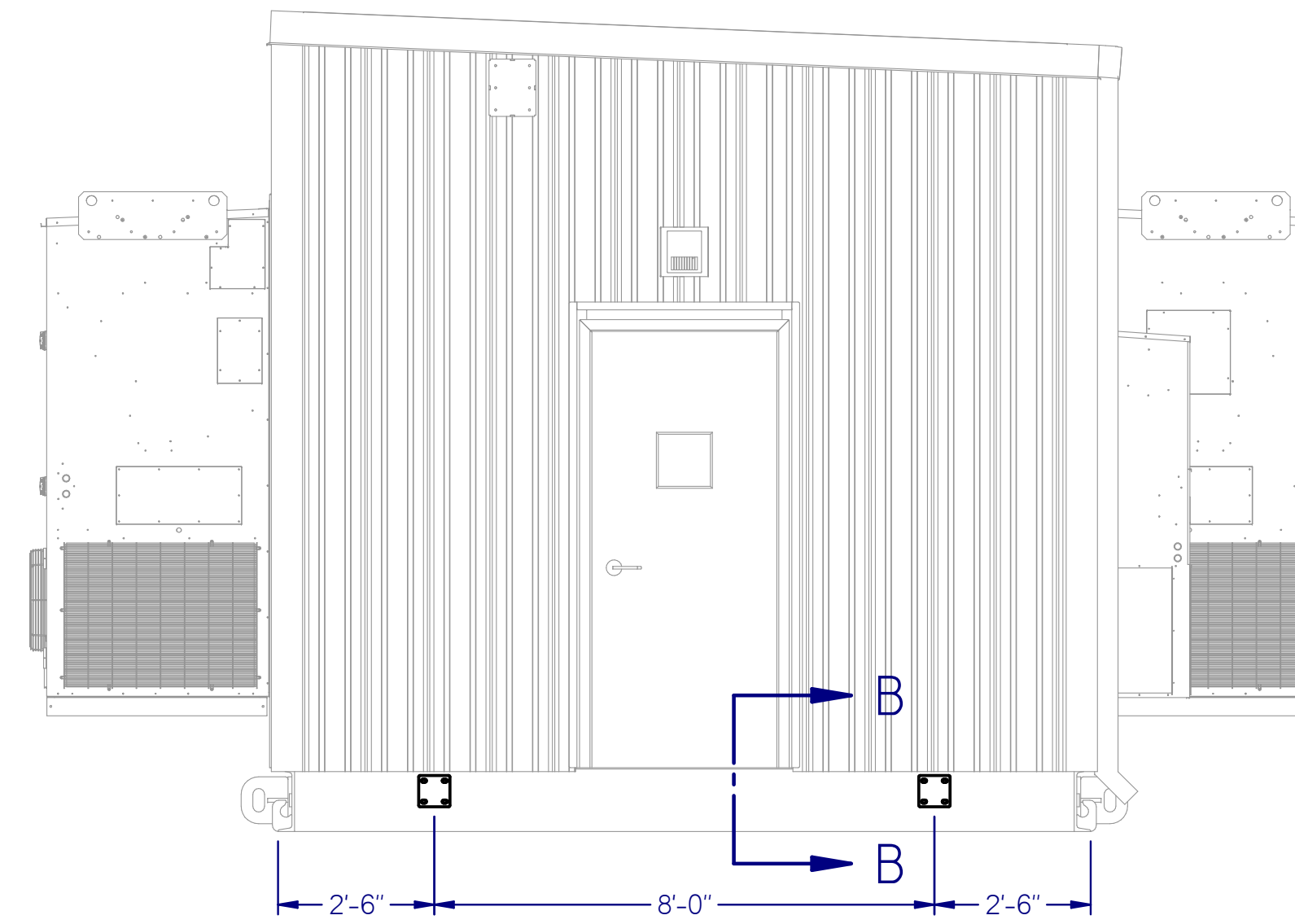
Rev:	Date:	Description:	By:	Approved:
FR 2.0	8/30/2018	ISSUED FOR REVIEW 2.0 - UPDATED PER P. E. L. REDLINES DATED 8/29/2018	WR	JY
FR 3.0	9/4/2018	ISSUED FOR REVIEW 3.0 - UPDATED PER P. E. L. AND ENGINEER REDLINES DATED 8/31/2018	WR	JY
IFC 1.0	9/7/2018	ISSUED FOR CONSTRUCTION	WR	JY
AS BUILT	10/25/2018	AS BUILT	WR	JY
			NA	NA
			NA	NA
			NA	NA
			NA	NA

DRAWN BY: wrasmussen
ENGINEERED BY: J.S.Y., M.E.
APPROVED BY: -
DATE: 7/25/2018
PROJECT NO. 217250-1-1
REV. IFC 1.0

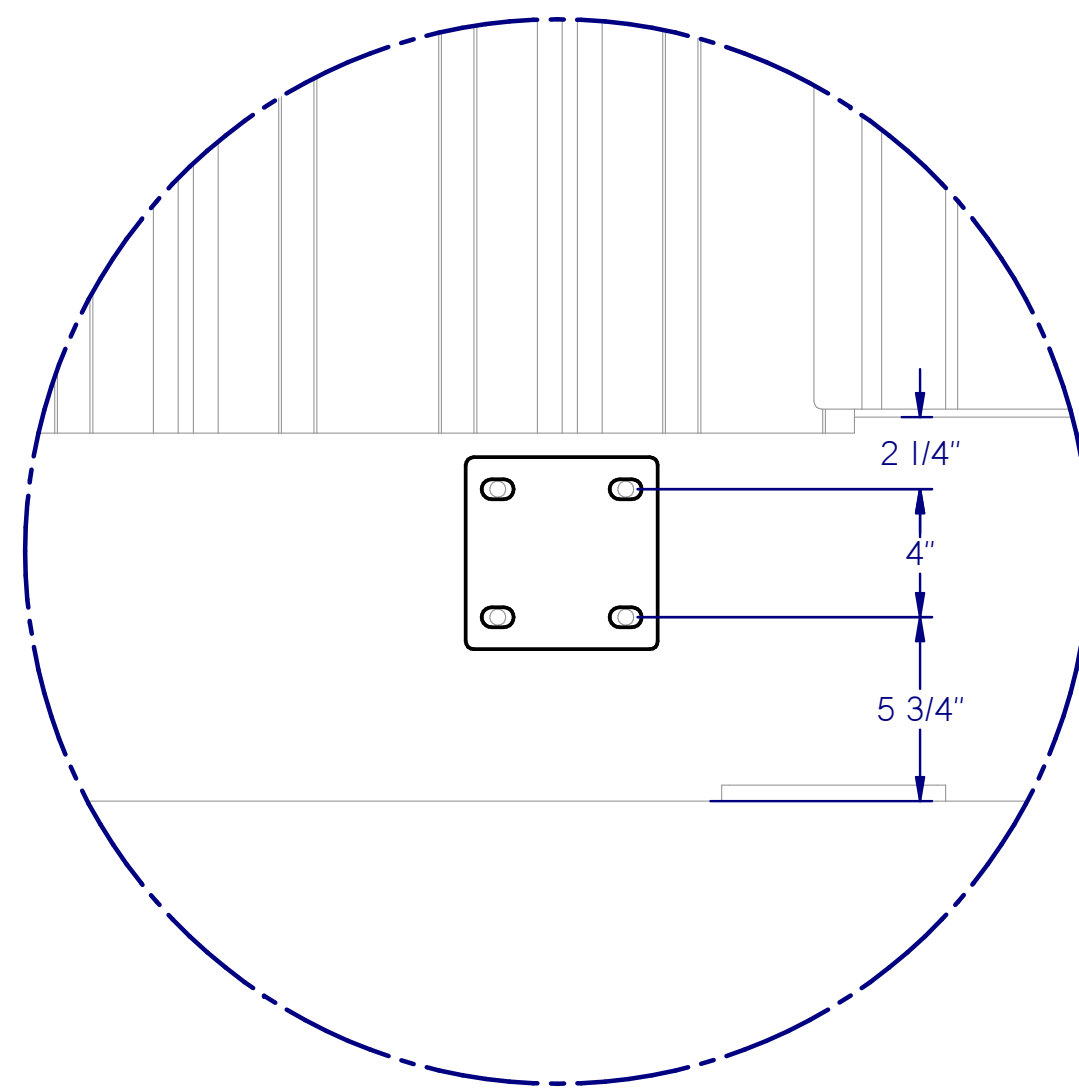
DRAWING NO. M-19
SHT 19 OF 45



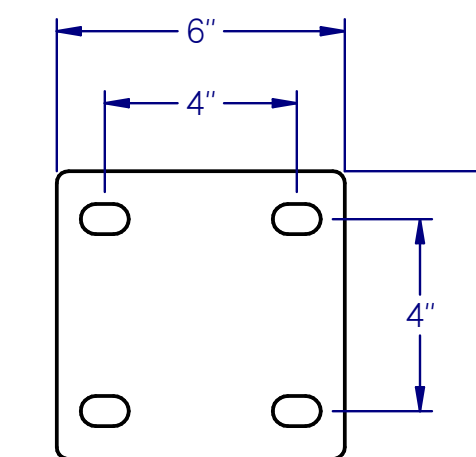
BUILDING - LEFT VIEW
6' x 12' LS Platform Connection Plates



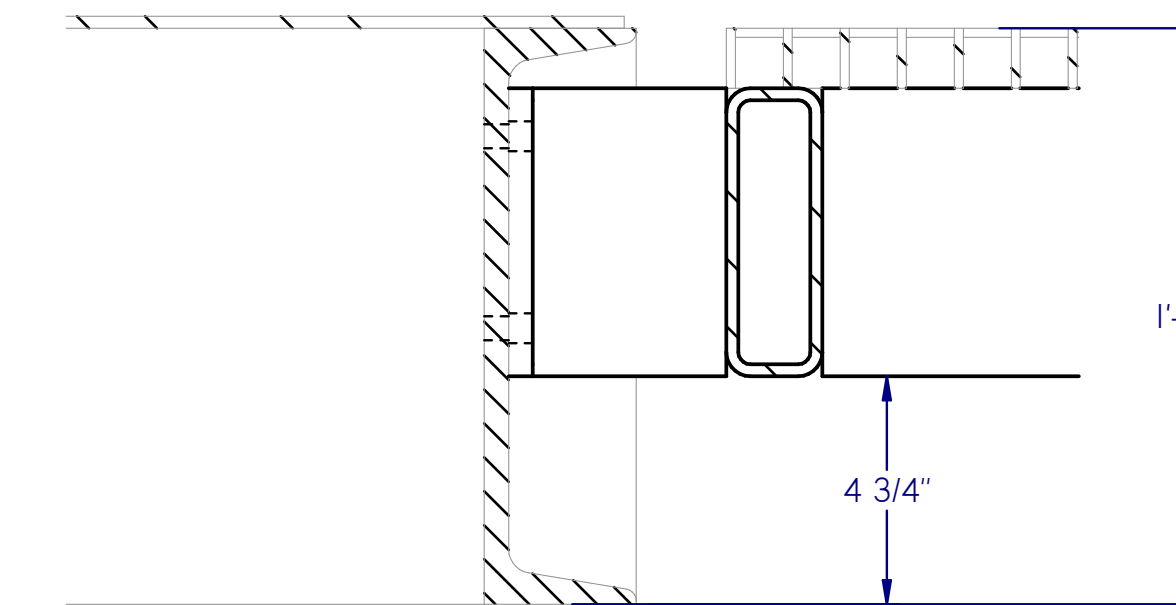
BUILDING - RIGHT VIEW
6' x 12' RS Platform Connection Plates



DETAIL A



217250 PLATFORM BP LSR
4 Each / 0.5000 in



SECTION B-B
TYPICAL PLATFORM CONNECTION
TO SKID



1511 SOUTH HIGHWAY 6, PRICE, UT 84501
PHONE: (435) 637-7160 FAX: (435) 637-9601
8221 EAST 96TH AVE, UNIT A, HENDERSON, CO 80640
PHONE: (720) 409-1000
100 VALLEY DRIVE, SOUTHPOINT, OH 45680
PHONE: (740) 414-4770 FAX: (606) 644-0432
400 SWAN AVENUE, CENTRALIA, IL 62801
PHONE: (618) 214-1063 FAX: (606) 644-0442

AS BUILT

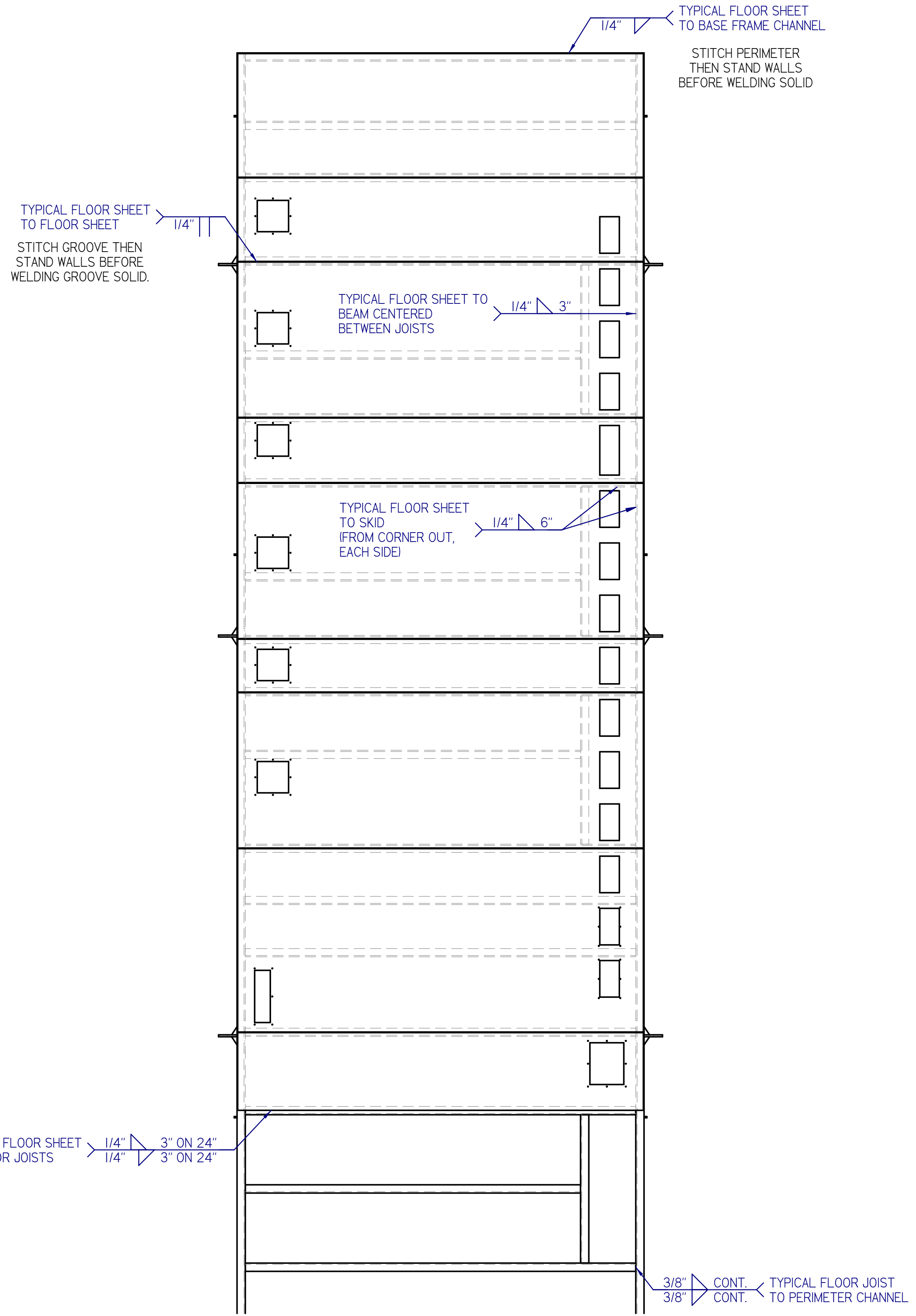
PDC ENERGY
PDC-1000
PLATFORM CONNECTION PLATES

REVISIONS

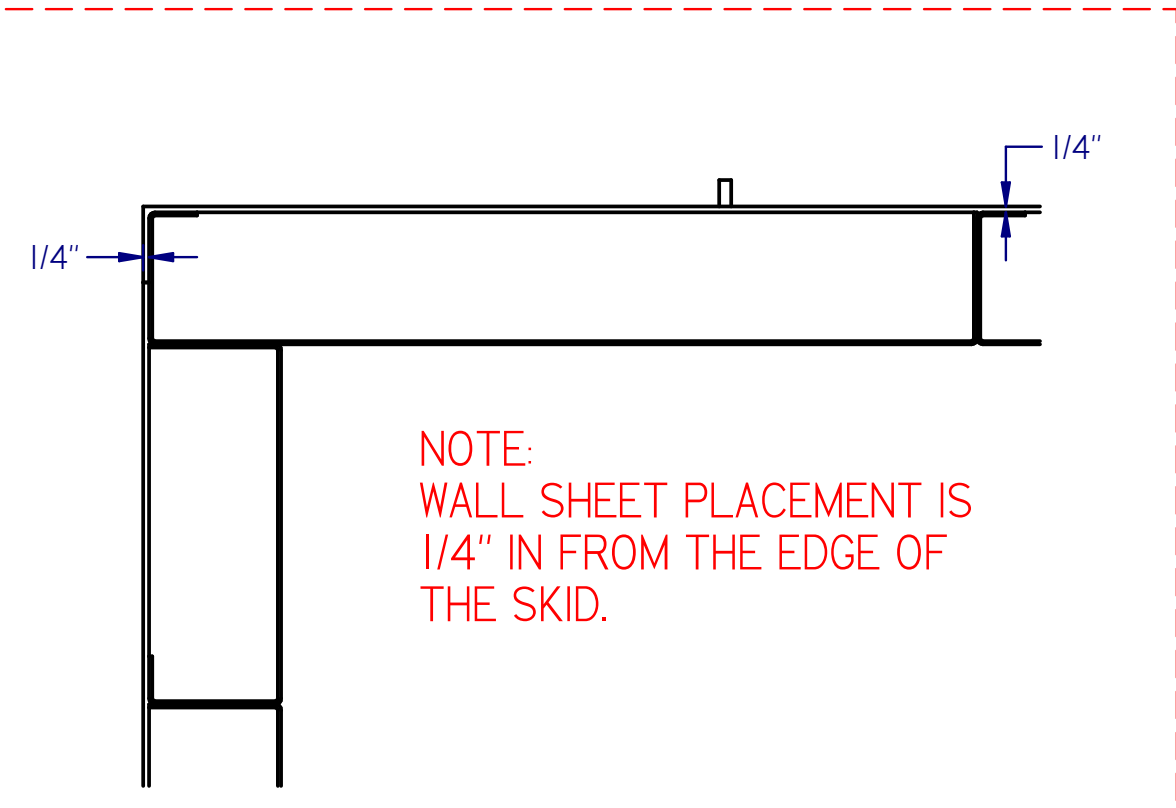
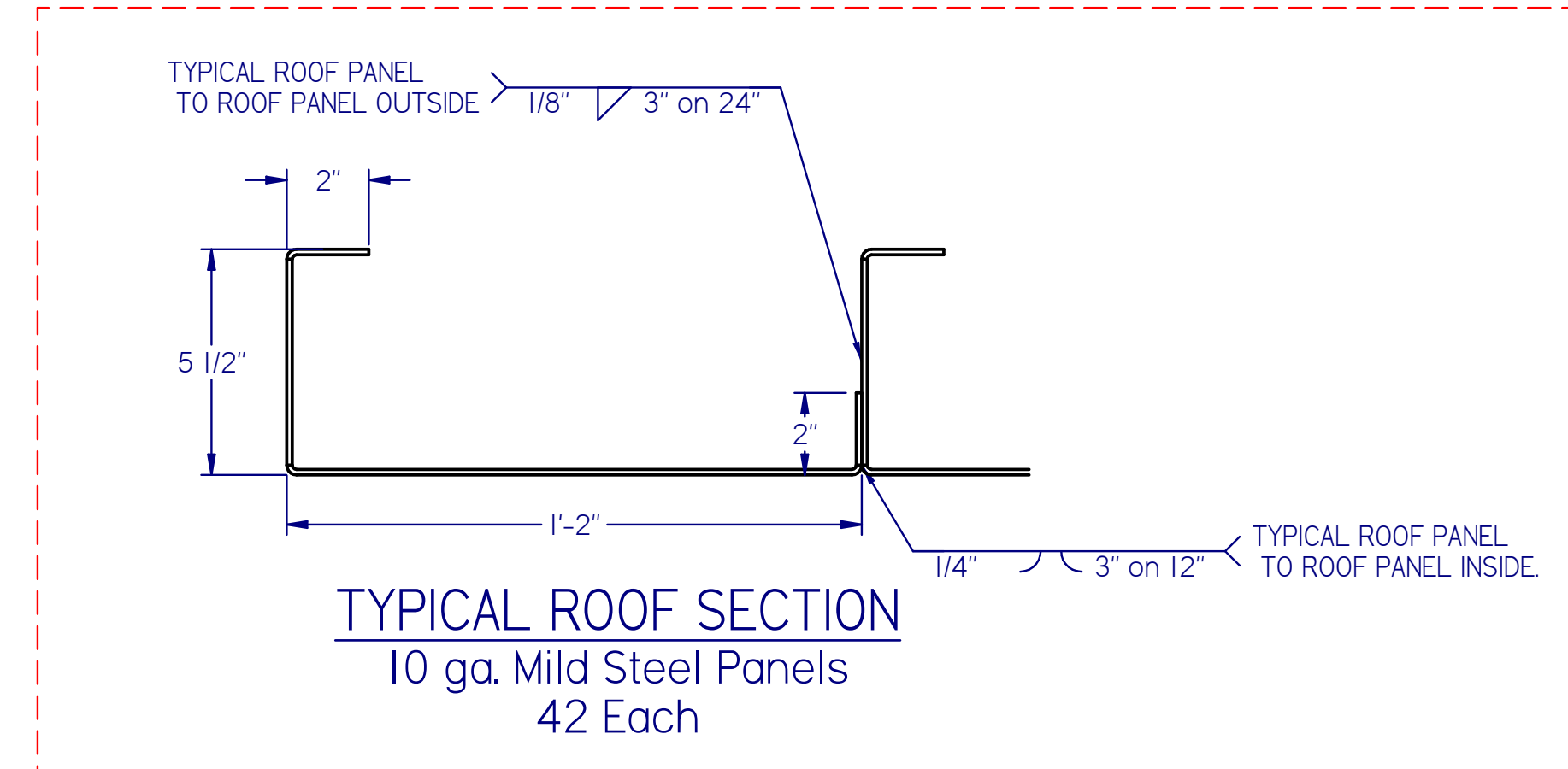
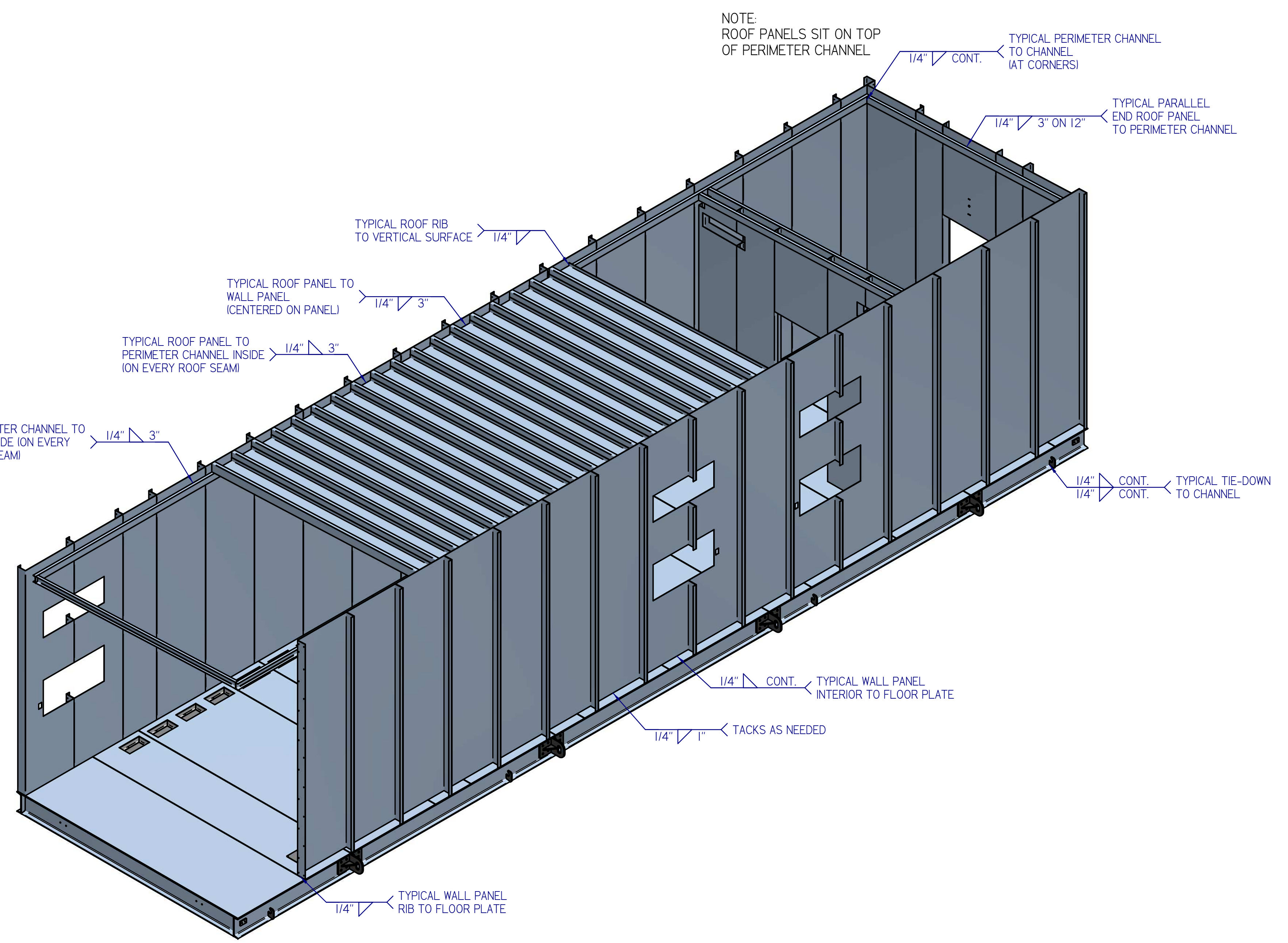

Rev:	Date:	Description:	By:	Approved:
FR 2.0	8/30/2018	ISSUED FOR REVIEW 2.0 - UPDATED PER P. E. L. REDLINES DATED 8/29/2018	WR	JY
FR 3.0	9/4/2018	ISSUED FOR REVIEW 3.0 - UPDATED PER P. E. L. AND ENGINEER REDLINES DATED 8/31/2018	WR	JY
IFC 1.0	9/7/2018	ISSUED FOR CONSTRUCTION	WR	JY
AS BUILT	10/25/2018	AS BUILT	WR	JY
			NA	NA
			NA	NA
			NA	NA

DRAWN BY: wrasmussen
ENGINEERED BY: J.S.Y., M.E.
APPROVED BY: -
DATE: 7/25/2018
PROJECT NO. 217250-1-1 REV. IFC 1.0

DRAWING NO. M-20
SHT 20 OF 45



WELD DETAILS

1511 SOUTH HIGHWAY 6, PRICE, UT 84501
 PHONE: (435) 637-7160 FAX: (435) 637-9601
 8221 EAST 96TH AVE, UNIT A, HENDERSON, CO 80640
 PHONE: (720) 409-1000
 100 VALLEY DRIVE, SOUTHPOINT, OH 45680
 PHONE: (740) 414-4770 FAX: (606) 644-0432
 400 SWAN AVENUE, CENTRALIA, IL 62801
 PHONE: (618) 214-1063 FAX: (606) 644-0442
www.intermountainelectronics.com

AS BUILT

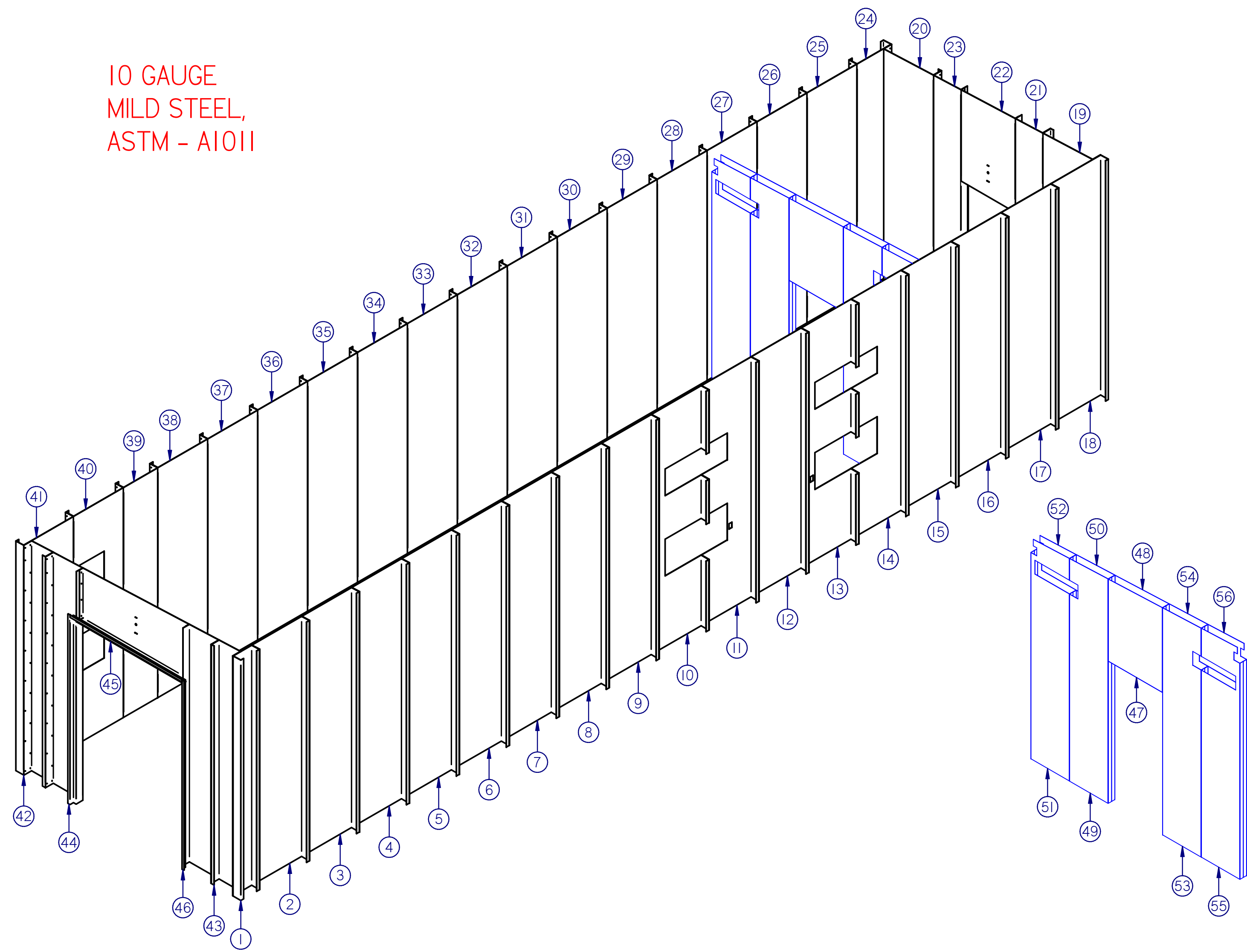
PDC ENERGY
PDC-1000
WELD DETAILS

REVISIONS					
Rev:	Date:	Description:	By:	Approved:	
FR 2.0	8/30/2018	ISSUED FOR REVIEW 2.0 - UPDATED PER P. E. L. REDLINES DATED 8/29/2018	WR	JY	
FR 3.0	9/4/2018	ISSUED FOR REVIEW 3.0 - UPDATED PER P. E. L. AND ENGINEER REDLINES DATED 8/31/2018	WR	JY	
IFC 1.0	9/7/2018	ISSUED FOR CONSTRUCTION	WR	JY	
AS BUILT	10/25/2018	AS BUILT	WR	JY	
			NA	NA	
			NA	NA	
			NA	NA	
			NA	NA	

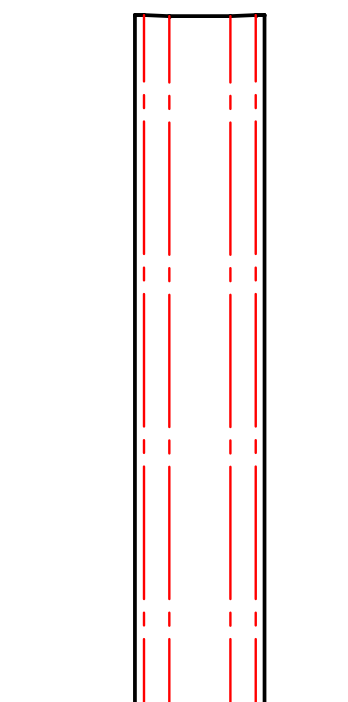
DRAWN BY: wrasmussen
 ENGINEERED BY: J.S.Y., M.E.
 APPROVED BY: _____
 DATE: 7/25/2018
 PROJECT NO. 217250-1-1 REV. IFC 1.0

DRAWING NO. M-21
 SHT 21 OF 45

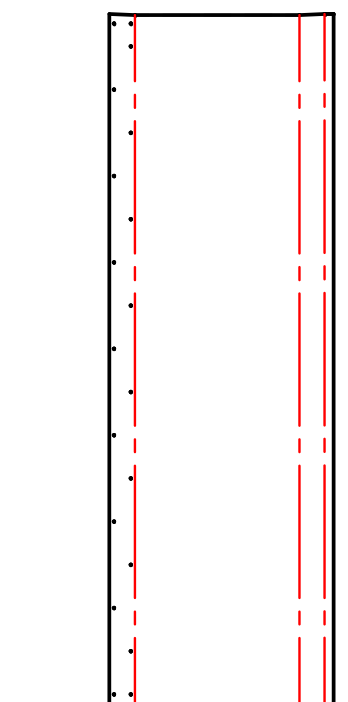
10 GAUGE
MILD STEEL,
ASTM - A1011



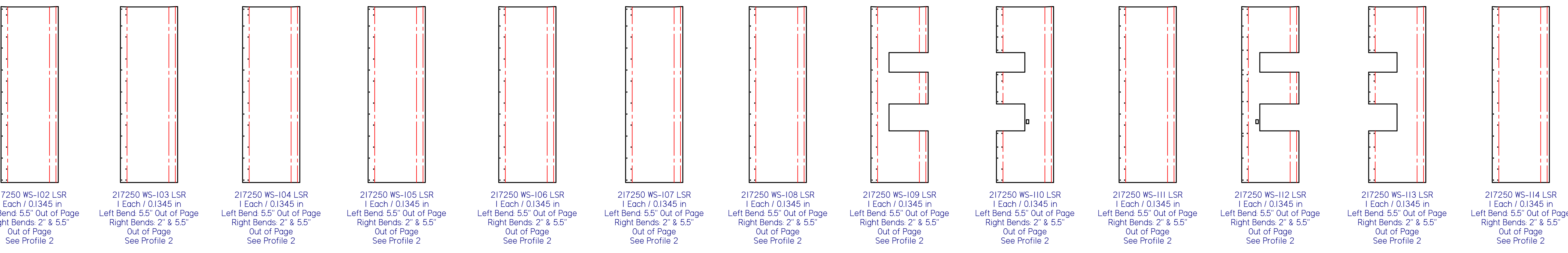
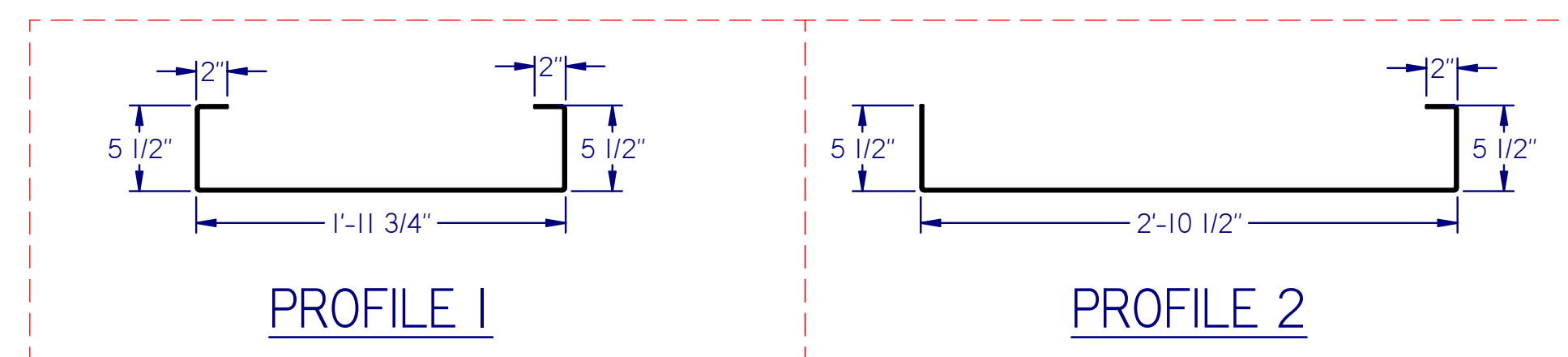
WALL SHEET LAYOUT			WALL SHEET LAYOUT		
Item Number	Quantity	File Name	Item Number	Quantity	File Name
1	1	217250 WS-100 LSR	29	1	217250 WS-305 LSR
2	1	217250 WS-101 LSR	30	1	217250 WS-306 LSR
3	1	217250 WS-102 LSR	31	1	217250 WS-307 LSR
4	1	217250 WS-103 LSR	32	1	217250 WS-308 LSR
5	1	217250 WS-104 LSR	33	1	217250 WS-309 LSR
6	1	217250 WS-105 LSR	34	1	217250 WS-310 LSR
7	1	217250 WS-106 LSR	35	1	217250 WS-311 LSR
8	1	217250 WS-107 LSR	36	1	217250 WS-312 LSR
9	1	217250 WS-108 LSR	37	1	217250 WS-313 LSR
10	1	217250 WS-109 LSR	38	1	217250 WS-314 LSR
11	1	217250 WS-110 LSR	39	1	217250 WS-315 LSR
12	1	217250 WS-111 LSR	40	1	217250 WS-316 LSR
13	1	217250 WS-112 LSR	41	1	217250 WS-317 LSR
14	1	217250 WS-113 LSR	42	1	217250 WS-400 LSR
15	1	217250 WS-114 LSR	43	1	217250 WS-401 LSR
16	1	217250 WS-115 LSR	44	1	217250 6070 DOOR W-TRANSOM LDF LSR
17	1	217250 WS-116 LSR	45	1	217250 6070 DOOR W-TRANSOM HDR LSR
18	1	217250 WS-117 LSR	46	1	217250 6070 DOOR W-TRANSOM RDF LSR
19	1	217250 WS-200 LSR	47	1	217250 WS-INT-E LSR
20	1	217250 WS-201 LSR	48	1	217250 WS-INT-F LSR
21	1	217250 3070 DOOR LDF LSR	49	1	217250 WS-INT-G LSR
22	1	217250 3070 DOOR HDR LSR	50	1	217250 WS-INT-H LSR
23	1	217250 3070 DOOR RDF LSR	51	1	217250 WS-INT-A LSR
24	1	217250 WS-300 LSR	52	1	217250 WS-INT-B LSR
25	1	217250 WS-301 LSR	53	1	217250 WS-INT-I LSR
26	1	217250 WS-302 LSR	54	1	217250 WS-INT-J LSR
27	1	217250 WS-303 LSR	55	1	217250 WS-INT-M LSR
28	1	217250 WS-304 LSR	56	1	217250 WS-INT-N LSR



217250 WS-100 LSR
1 Each / 0.1345 in
Side Bends: 2" & 5.5"
Out of Page
See Profile 1



217250 WS-101 LSR
1 Each / 0.1345 in
Left Bend: 5.5" Out of Page
Right Bends: 2" & 5.5"
Out of Page
See Profile 2



1511 SOUTH HIGHWAY 6, PRICE, UT 84501
PHONE: (435) 637-7160 FAX: (435) 637-9601

8221 EAST 96TH AVE, UNIT A, HENDERSON, CO 80640
PHONE: (720) 409-1000

100 VALLEY DRIVE, SOUTHPOINT, OH 45680
PHONE: (740) 414-4770 FAX: (606) 644-0432

400 SWAN AVENUE, CENTRALIA, IL 62801
PHONE: (618) 214-1063 FAX: (606) 644-0442

www.intermountainelectronics.com

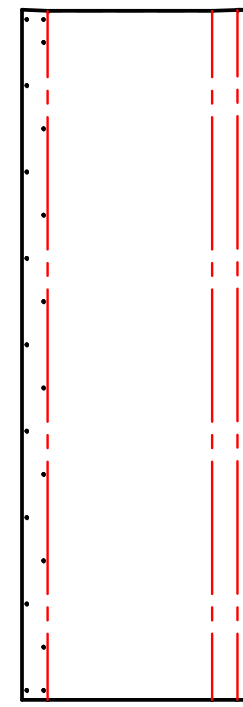
AS BUILT

PDC ENERGY
PDC-1000
BEND INFORMATION

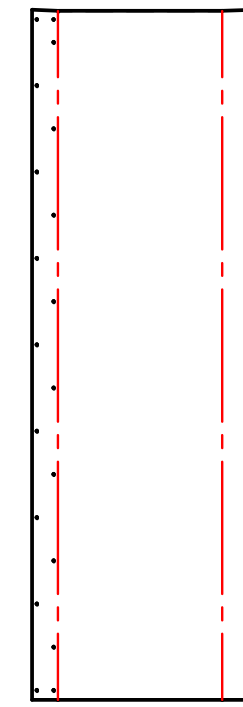
REVISIONS			
Rev:	Date:	Description:	By: / Approved:
FR 2.0	8/30/2018	ISSUED FOR REVIEW 2.0 - UPDATED PER P. E. L. REDLINES DATED 8/29/2018	WR / JY
FR 3.0	9/4/2018	ISSUED FOR REVIEW 3.0 - UPDATED PER P. E. L. AND ENGINEER REDLINES DATED 8/31/2018	WR / JY
IFC 1.0	9/7/2018	ISSUED FOR CONSTRUCTION	WR / JY
AS BUILT	10/25/2018	AS BUILT	WR / JY
			NA / NA
			NA / NA
			NA / NA

DRAWN BY: wrasmussen
ENGINEERED BY: J.S.Y., M.E.
APPROVED BY: _____
DATE: 7/25/2018
PROJECT NO. 217250-1-1
REV. IFC 1.0

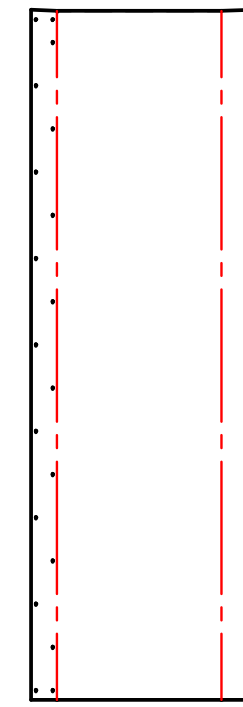
DRAWING NO. **M-22**
SHT **22** OF **45**



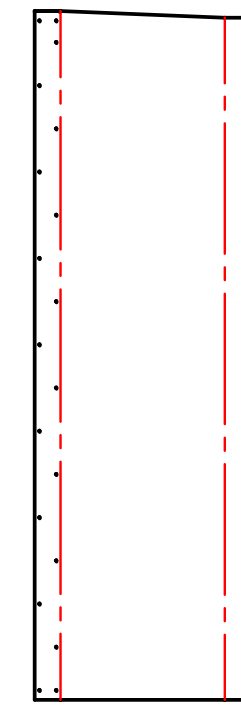
217250 WS-115 LSR
1 Each / 0.1345 in
Left Bend: 5.5" Out of Page
Right Bends: 2" & 5.5"
Out of Page
See Profile 2



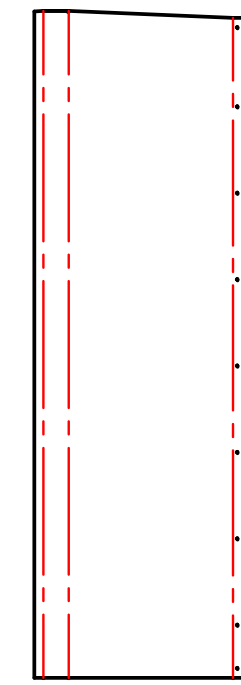
217250 WS-116 LSR
1 Each / 0.1345 in
Left Bend: 5.5" Out of Page
Right Bends: 2" & 5.5"
Out of Page
See Profile 2



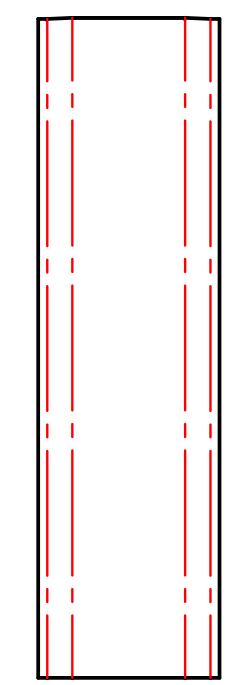
217250 WS-117 LSR
1 Each / 0.1345 in
Left Bend: 5.5" Out of Page
Right Bends: 2" & 5.5"
Out of Page
See Profile 2



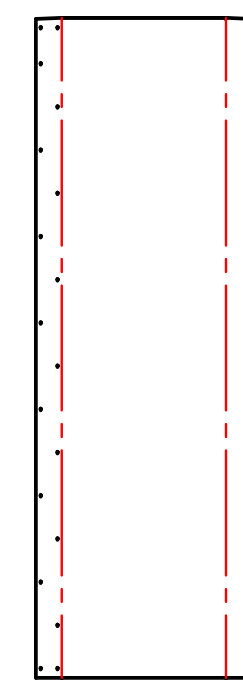
217250 WS-200 LSR
1 Each / 0.1345 in
Left Bend: 5.5" Out of Page
Right Bends: 2" & 5.5"
Out of Page
See Profile 2



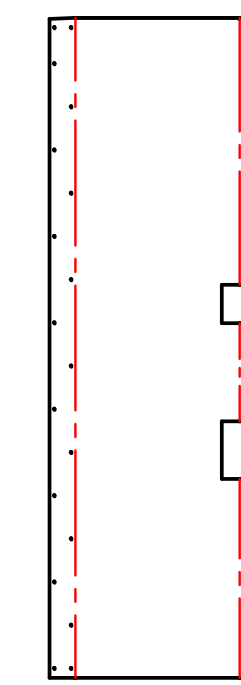
217250 WS-201 LSR
1 Each / 0.1345 in
Left Bends: 2" & 5.5"
Out of Page
Right Bend: 5.5" Out of Page
See Profile 3



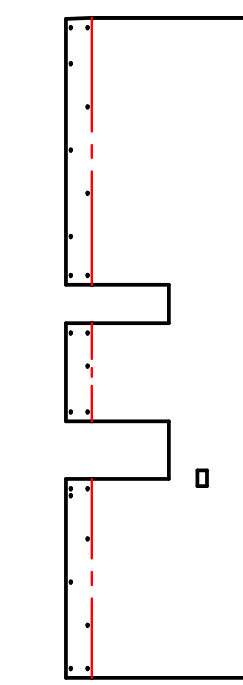
217250 WS-300 LSR
1 Each / 0.1345 in
Side Bends: 2" & 5.5"
Out of Page
See Profile 1



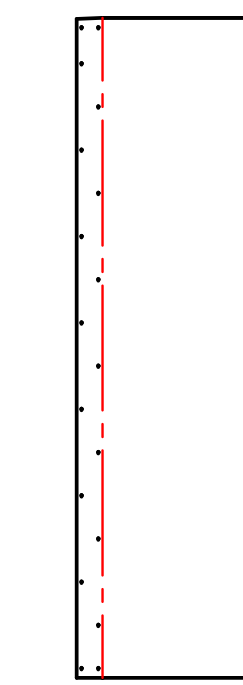
217250 WS-301 LSR
1 Each / 0.1345 in
Left Bend: 5.5" Out of Page
Right Bends: 2" & 5.5"
Out of Page
See Profile 2



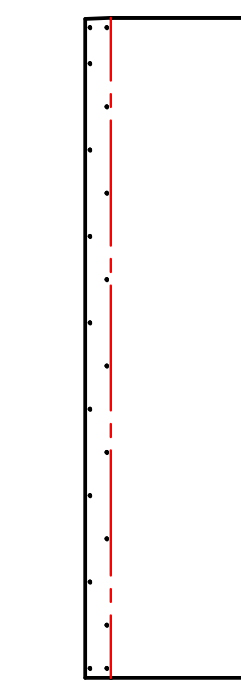
217250 WS-302 LSR
1 Each / 0.1345 in
Left Bend: 5.5" Out of Page
Right Bends: 2" & 5.5"
Out of Page
See Profile 2



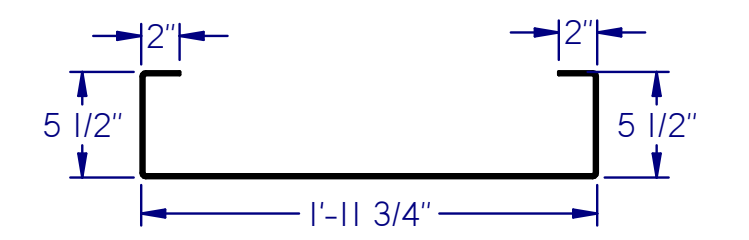
217250 WS-303 LSR
1 Each / 0.1345 in
Left Bend: 5.5" Out of Page
Right Bends: 2" & 5.5"
Out of Page
See Profile 2



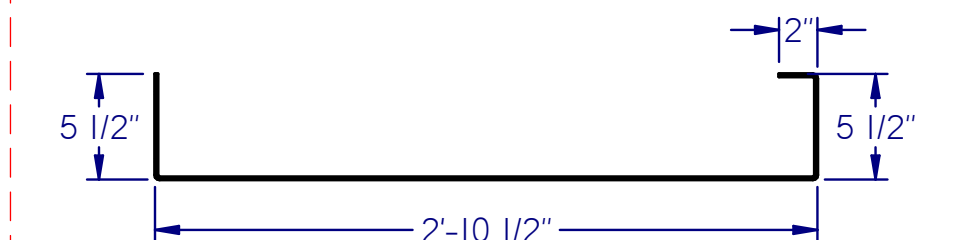
217250 WS-304 LSR
1 Each / 0.1345 in
Left Bend: 5.5" Out of Page
Right Bends: 2" & 5.5"
Out of Page
See Profile 2



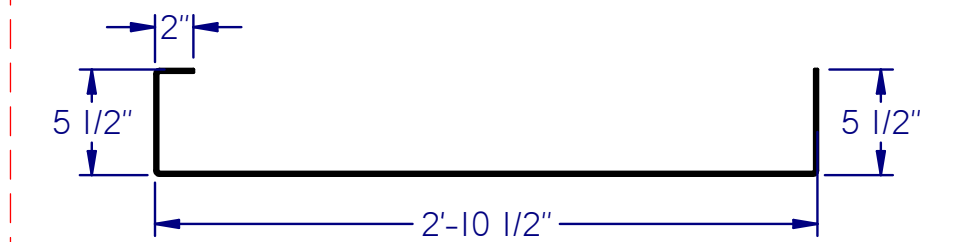
217250 WS-305 LSR
1 Each / 0.1345 in
Left Bend: 5.5" Out of Page
Right Bends: 2" & 5.5"
Out of Page
See Profile 2



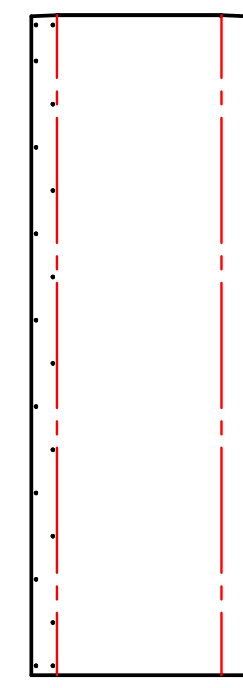
PROFILE 1



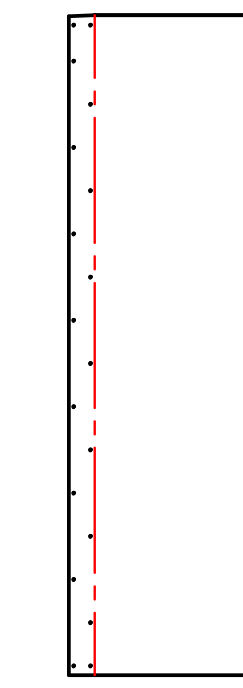
PROFILE 2



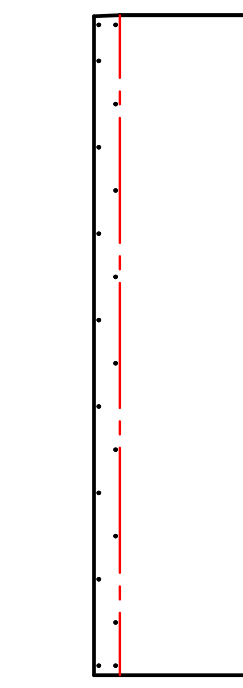
PROFILE 3



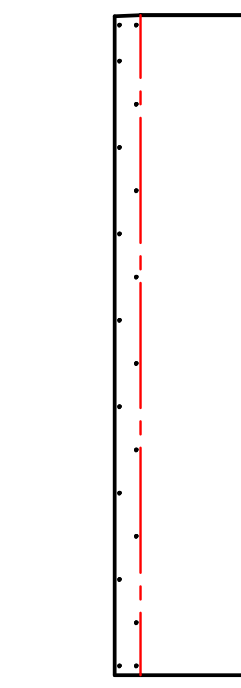
217250 WS-306 LSR
1 Each / 0.1345 in
Left Bend: 5.5" Out of Page
Right Bends: 2" & 5.5"
Out of Page
See Profile 2



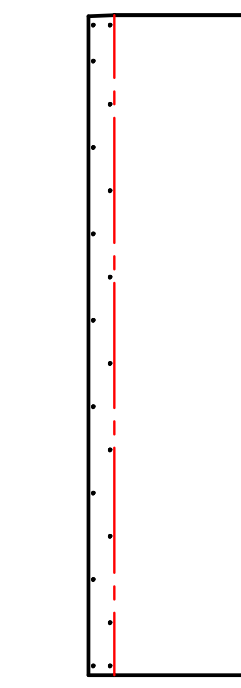
217250 WS-307 LSR
1 Each / 0.1345 in
Left Bend: 5.5" Out of Page
Right Bends: 2" & 5.5"
Out of Page
See Profile 2



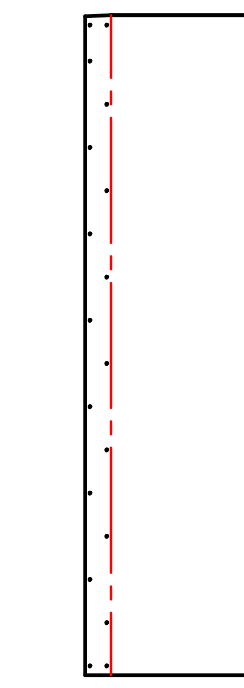
217250 WS-308 LSR
1 Each / 0.1345 in
Left Bend: 5.5" Out of Page
Right Bends: 2" & 5.5"
Out of Page
See Profile 2



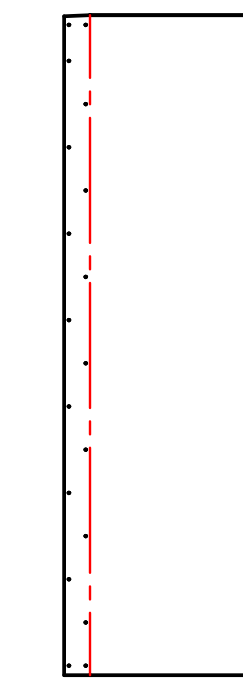
217250 WS-309 LSR
1 Each / 0.1345 in
Left Bend: 5.5" Out of Page
Right Bends: 2" & 5.5"
Out of Page
See Profile 2



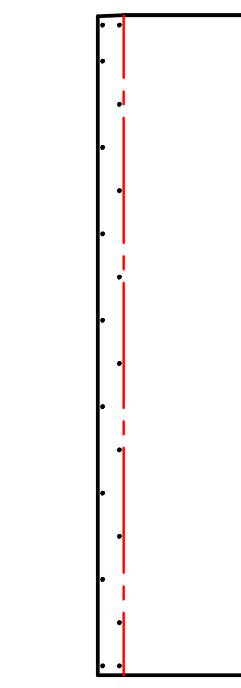
217250 WS-310 LSR
1 Each / 0.1345 in
Left Bend: 5.5" Out of Page
Right Bends: 2" & 5.5"
Out of Page
See Profile 2



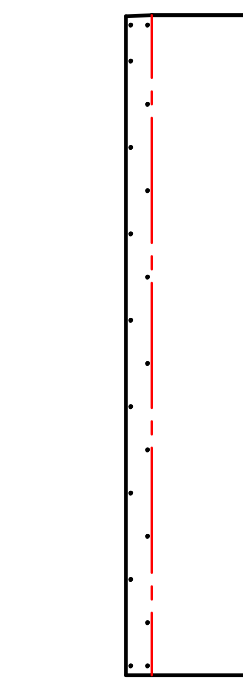
217250 WS-311 LSR
1 Each / 0.1345 in
Left Bend: 5.5" Out of Page
Right Bends: 2" & 5.5"
Out of Page
See Profile 2



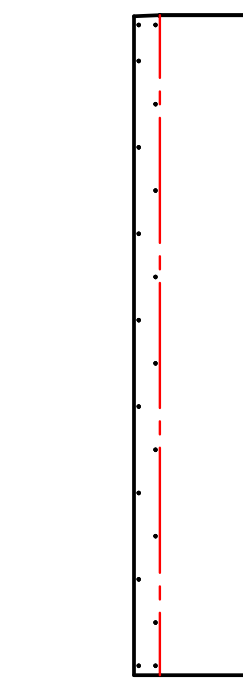
217250 WS-312 LSR
1 Each / 0.1345 in
Left Bend: 5.5" Out of Page
Right Bends: 2" & 5.5"
Out of Page
See Profile 2



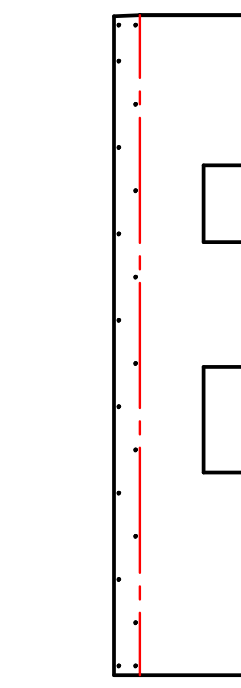
217250 WS-313 LSR
1 Each / 0.1345 in
Left Bend: 5.5" Out of Page
Right Bends: 2" & 5.5"
Out of Page
See Profile 2



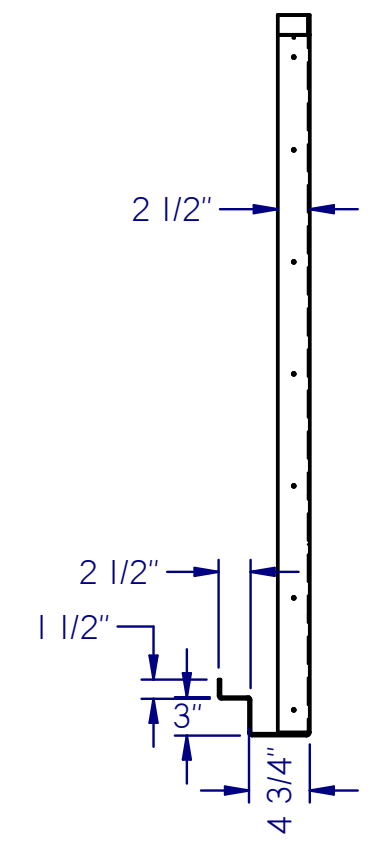
217250 WS-314 LSR
1 Each / 0.1345 in
Left Bend: 5.5" Out of Page
Right Bends: 2" & 5.5"
Out of Page
See Profile 2



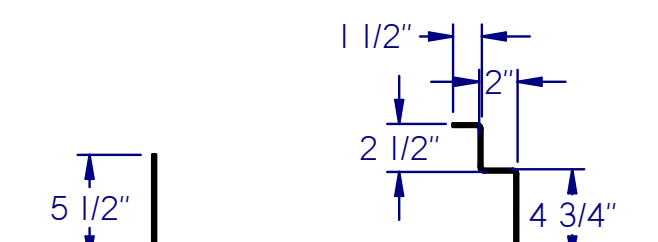
217250 WS-315 LSR
1 Each / 0.1345 in
Left Bend: 5.5" Out of Page
Right Bends: 2" & 5.5"
Out of Page
See Profile 2



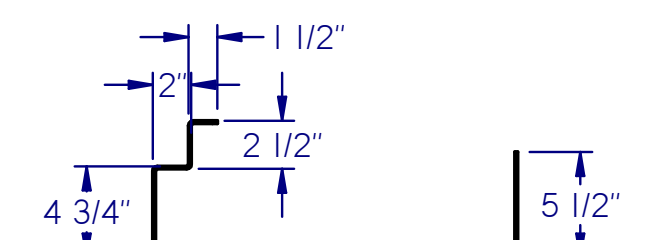
217250 WS-316 LSR
1 Each / 0.1345 in
Left Bend: 5.5" Out of Page
Right Bends: 2" & 5.5"
Out of Page
See Profile 2



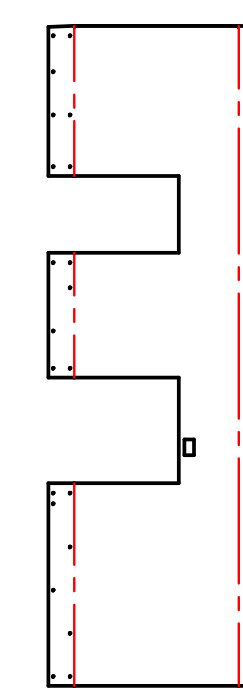
PROFILE 4



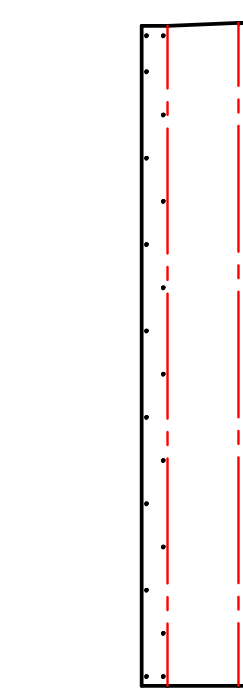
PROFILE 5



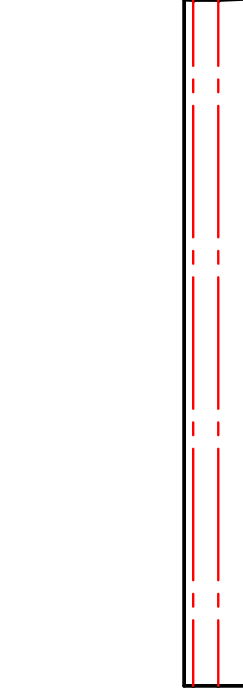
PROFILE 6



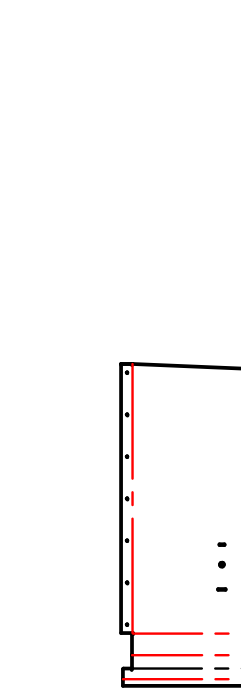
217250 WS-317 LSR
1 Each / 0.1345 in
Left Bend: 5.5" Out of Page
Right Bends: 2" & 5.5"
Out of Page
See Profile 2



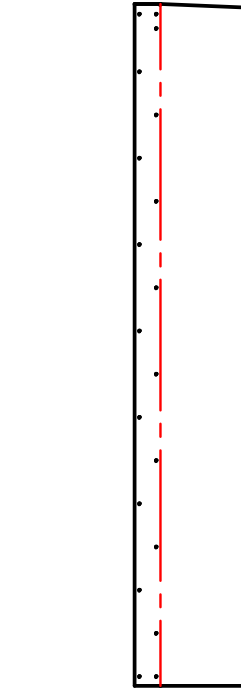
217250 WS-400 LSR
1 Each / 0.1345 in
Left Bend: 5.5" Out of Page
Right Bends: 2" & 5.5"
Out of Page
See Profile 2



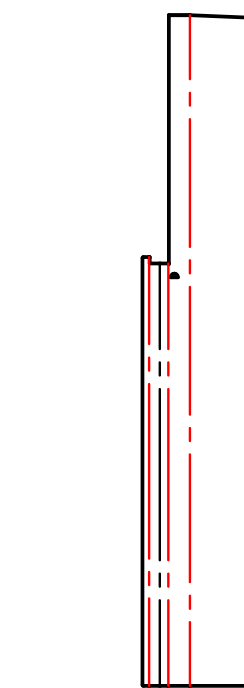
217250 WS-401 LSR
1 Each / 0.1345 in
Left Bends: 2" & 5.5"
Out of Page
Right Bend: 5.5" Out of Page
See Profile 3



217250 3070 DOOR HDR LSR
1 Each / 0.135 in
Side Bends: 2.5" Out of Page
Bottom Bends: 1.5" Out of Page,
2.5" Into Page,
3" & 4.75" Out of Page
See Profile 4



217250 3070 DOOR LDF LSR
1 Each / 0.1345 in
Left Bend: 5.5" Out of Page
Right Bends: 1.5" Out of Page,
2.5" Into Page,
2" & 4.75" Out of Page
See Profile 5



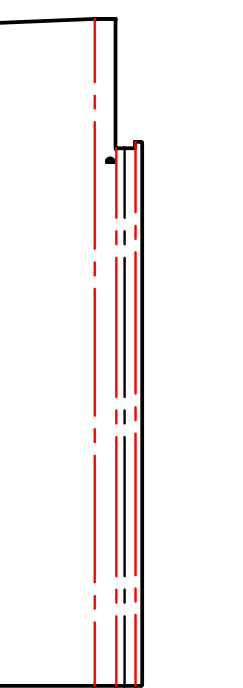
217250 3070 DOOR RDF LSR
1 Each / 0.1345 in
Left Bends: 1.5" Out of Page,
2.5" Into Page,
2" & 4.75" Out of Page
Right Bend: 5.5" Out of Page
See Profile 6



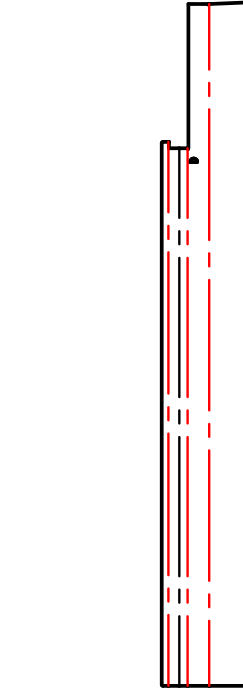
217250 6070 DOOR W-TRANSOM HDR LSR
1 Each / 0.135 in
Side Bends: 2.5" Out of Page
Bottom Bends: 1.5" Out of Page,
2.5" Into Page,
3" & 4.75" Out of Page
See Profile 4



217250 6070 DOOR W-TRANSOM LDF LSR
1 Each / 0.1345 in
Left Bend: 5.5" Out of Page
Right Bends: 1.5" Out of Page,
2.5" Into Page,
2" & 4.75" Out of Page
See Profile 5



217250 6070 DOOR W-TRANSOM RDF LSR
1 Each / 0.1345 in
Left Bends: 1.5" Out of Page,
2.5" Into Page,
2" & 4.75" Out of Page
Right Bend: 5.5" Out of Page
See Profile 6



217250 6070 DOOR W-TRANSOM RDF LSR
1 Each / 0.1345 in
Left Bends: 1.5" Out of Page,
2.5" Into Page,
2" & 4.75" Out of Page
Right Bend: 5.5" Out of Page
See Profile 6

10 GAUGE
MILD STEEL,
ASTM - A1011



1511 SOUTH HIGHWAY 6, PRICE, UT 84501
PHONE: (435) 637-7160 FAX: (435) 637-9601
8221 EAST 96TH AVE, UNIT A, HENDERSON, CO 80640
PHONE: (720) 409-1000
100 VALLEY DRIVE, SOUTHPOINT, OH 45680
PHONE: (740) 414-4770 FAX: (606) 644-0432
400 SWAN AVENUE, CENTRALIA, IL 62801
PHONE: (618) 214-1063 FAX: (606) 644-0442

AS BUILT

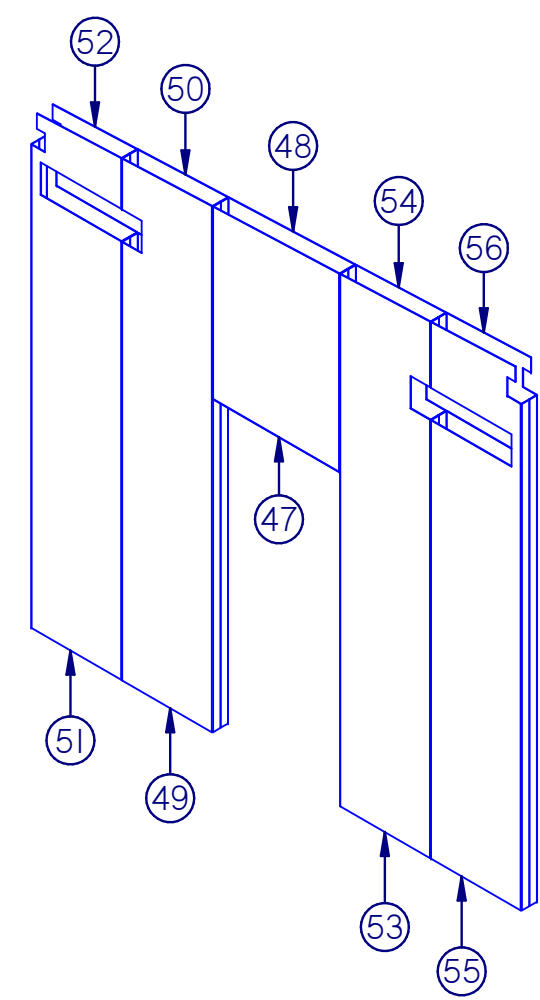
PDC ENERGY
PDC-1000
BEND INFORMATION

REVISIONS

Rev:	Date:	Description:	By:	Approved:
FR 2.0	8/30/2018	ISSUED FOR REVIEW 2.0 - UPDATED PER P. E. L. REDLINES DATED 8/29/2018	WR	JY
FR 3.0	9/4/2018	ISSUED FOR REVIEW 3.0 - UPDATED PER P. E. L. AND ENGINEER REDLINES DATED 8/31/2018	WR	JY
FC 1.0	9/7/2018	ISSUED FOR CONSTRUCTION	WR	JY
AS BUILT	10/25/2018	AS BUILT	NA	NA
			NA	NA
			NA	NA
			NA	NA

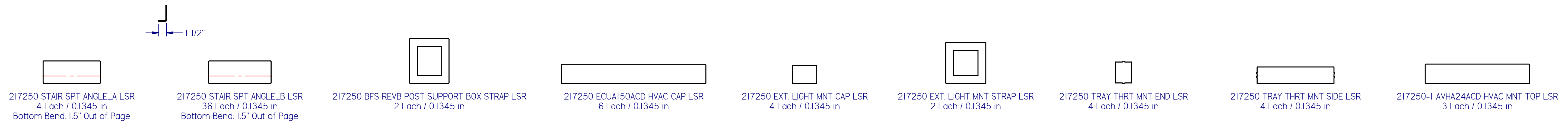
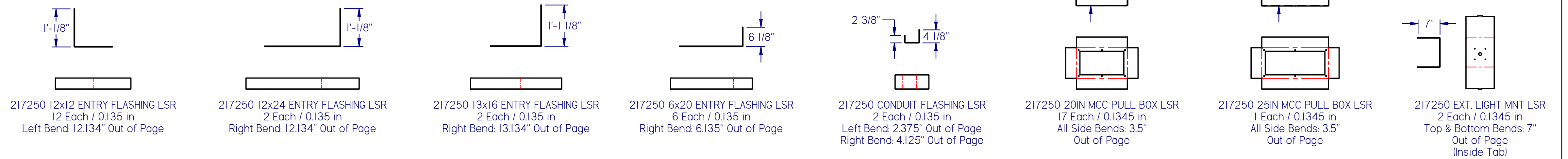
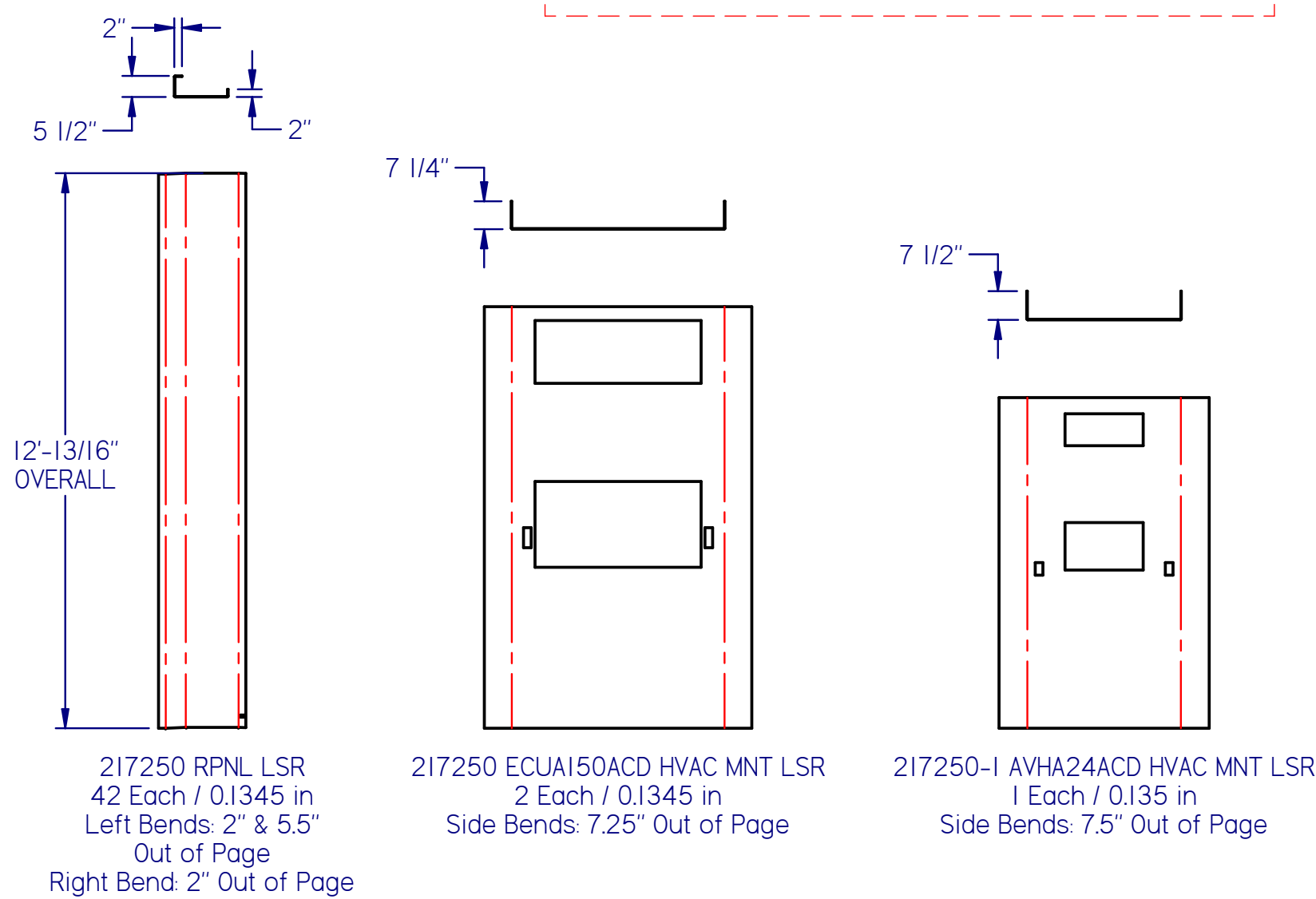
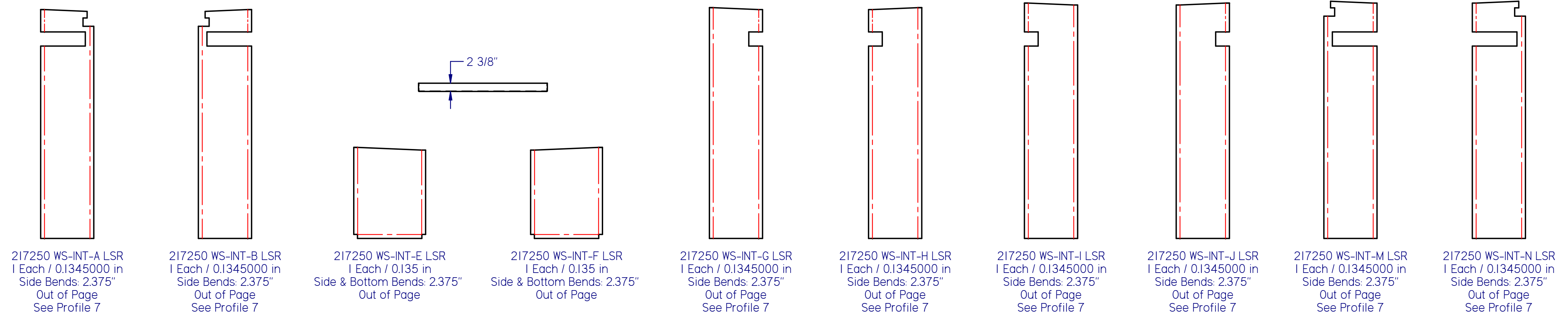
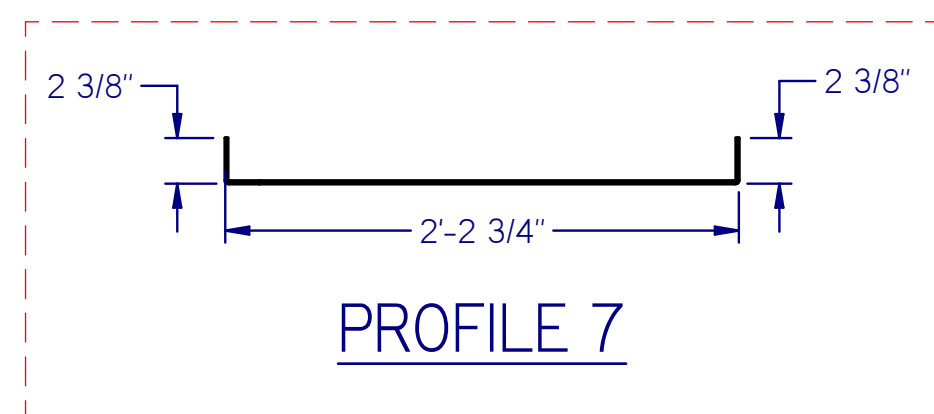
DRAWN BY: wrasmussen
ENGINEERED BY: J.S.Y., M.E.
APPROVED BY: -
DATE: 7/25/2018
PROJECT NO. 217250-1-1
REV. IFC 1.0

DRAWING NO. M-23
SHT 23 OF 45



PARTITION WALL SHEET LAYOUT		
Item Number	Quantity	File Name
47	1	217250 WS-INT-E LSR
48	1	217250 WS-INT-F LSR
49	1	217250 WS-INT-G LSR
50	1	217250 WS-INT-H LSR
51	1	217250 WS-INT-A LSR
52	1	217250 WS-INT-B LSR
53	1	217250 WS-INT-I LSR
54	1	217250 WS-INT-J LSR
55	1	217250 WS-INT-M LSR
56	1	217250 WS-INT-N LSR

10 GAUGE
MILD STEEL,
ASTM - A1011



1511 SOUTH HIGHWAY 6, PRICE, UT 84501
PHONE: (435) 637-7160 FAX: (435) 637-9601

8221 EAST 96TH AVE, UNIT A, HENDERSON, CO 80640
PHONE: (720) 409-1000

100 VALLEY DRIVE, SOUTHPOINT, OH 45680
PHONE: (740) 414-4770 FAX: (606) 644-0432

400 SWAN AVENUE, CENTRALIA, IL 62801
PHONE: (618) 214-1063 FAX: (606) 644-0442

AS BUILT

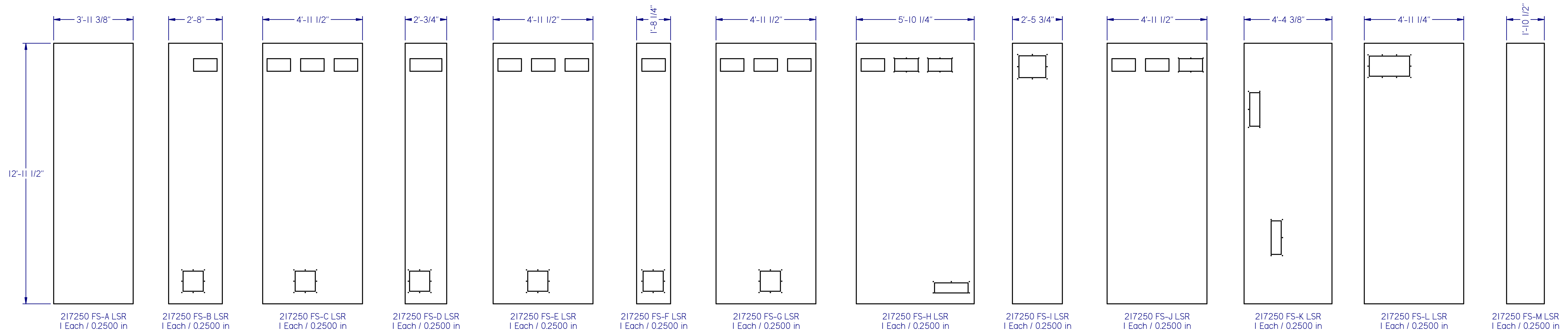
PDC ENERGY
PDC-1000
BEND INFORMATION

REVISIONS				
Rev:	Date:	Description:	By:	Approved:
FR 2.0	8/30/2018	ISSUED FOR REVIEW 2.0 - UPDATED PER P. E. L. REDLINES DATED 8/29/2018	WR	JY
FR 3.0	9/4/2018	ISSUED FOR REVIEW 3.0 - UPDATED PER P. E. L. AND ENGINEER REDLINES DATED 8/31/2018	WR	JY
IFC 1.0	9/7/2018	ISSUED FOR CONSTRUCTION	WR	JY
AS BUILT	10/25/2018	AS BUILT	WR	JY
			NA	NA
			NA	NA
			NA	NA

DRAWN BY: wrasmussen
ENGINEERED BY: J.S.Y., M.E.
APPROVED BY: _____
DATE: 7/25/2018
PROJECT NO. 217250-1-1 REV. IFC 1.0

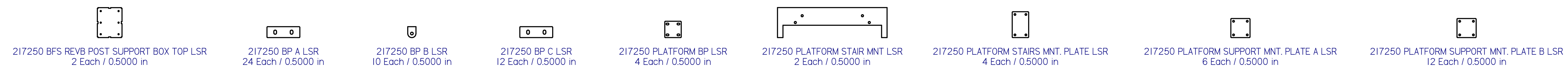
DRAWING NO. M-24
SHT 24 OF 45

1/4" INCH
MILD STEEL,
ASTM - A36



217250 BFS REV'B POST SUPPORT BOX END LSR 4 Each / 0.2500 in
 217250 BFS REV'B POST SUPPORT BOX SIDE LSR 4 Each / 0.2500 in
 217250 HANDRAIL BRKT LSR 8 Each / 0.2500 in
 217250 HANDRAIL KICK PLATE A LSR 4 Each / 0.2500 in
 217250 HANDRAIL KICK PLATE C LSR 8 Each / 0.2500 in
 217250 HANDRAIL KICK PLATE E LSR 2 Each / 0.2500 in
 217250 HANDRAIL KICK PLATE F LSR 2 Each / 0.2500 in
 217250 HANDRAIL KICK PLATE G LSR 2 Each / 0.2500 in
 217250 PLATFORM CORNER GUSSET LSR 16 Each / 0.2500 in

1/2" INCH
MILD STEEL,
ASTM - A36



217250 BFS REV'B POST SUPPORT BOX TOP LSR 2 Each / 0.5000 in
 217250 BP A LSR 24 Each / 0.5000 in
 217250 BP B LSR 10 Each / 0.5000 in
 217250 BP C LSR 12 Each / 0.5000 in
 217250 PLATFORM BP LSR 4 Each / 0.5000 in
 217250 PLATFORM STAIR MNT LSR 2 Each / 0.5000 in
 217250 PLATFORM STAIRS MNT. PLATE LSR 4 Each / 0.5000 in
 217250 PLATFORM SUPPORT MNT. PLATE A LSR 6 Each / 0.5000 in
 217250 PLATFORM SUPPORT MNT. PLATE B LSR 12 Each / 0.5000 in

1/8" INCH
ALUMINUM,
ASTM - B209



217250 12x12 VFD ACC. CVR LSR 6 Each / 0.1250 in
 217250 12X24 PLC ACC. CVR LSR 1 Each / 0.1250 in
 217250 13x16 ATS ACC. CVR LSR 1 Each / 0.1250 in
 217250 20IN MCC PULL BOX CVR LSR 20 Each / 0.1250 in
 217250 25IN MCC PULL BOX CVR LSR 1 Each / 0.1250 in
 217250 6x20 LC ACC. CVR LSR 3 Each / 0.1250 in



1511 SOUTH HIGHWAY 6, PRICE, UT 84501
 PHONE: (435) 637-7160 FAX: (435) 637-9601
 8221 EAST 96TH AVE, UNIT A, HENDERSON, CO 80640
 PHONE: (720) 409-1000
 100 VALLEY DRIVE, SOUTHPOINT, OH 45680
 PHONE: (740) 414-4770 FAX: (606) 644-0432
 400 SWAN AVENUE, CENTRALIA, IL 62801
 PHONE: (618) 214-1063 FAX: (606) 644-0442

AS BUILT

PDC ENERGY
PDC-1000
BEND INFORMATION

REVISIONS

Rev:	Date:	Description:	By:	Approved:
FR 2.0	8/30/2018	ISSUED FOR REVIEW 2.0 - UPDATED PER P. E. L. REDLINES DATED 8/29/2018	WR	JY
FR 3.0	9/4/2018	ISSUED FOR REVIEW 3.0 - UPDATED PER P. E. L. AND ENGINEER REDLINES DATED 8/31/2018	WR	JY
IFC 1.0	9/7/2018	ISSUED FOR CONSTRUCTION	WR	JY
AS BUILT	10/25/2018	AS BUILT	NA	NA
			NA	NA
			NA	NA
			NA	NA

DRAWN BY: wrasmussen
 ENGINEERED BY: J.S.Y., M.E.
 APPROVED BY: -
 DATE: 7/25/2018
 PROJECT NO. 217250-1-1
 REV. IFC 1.0

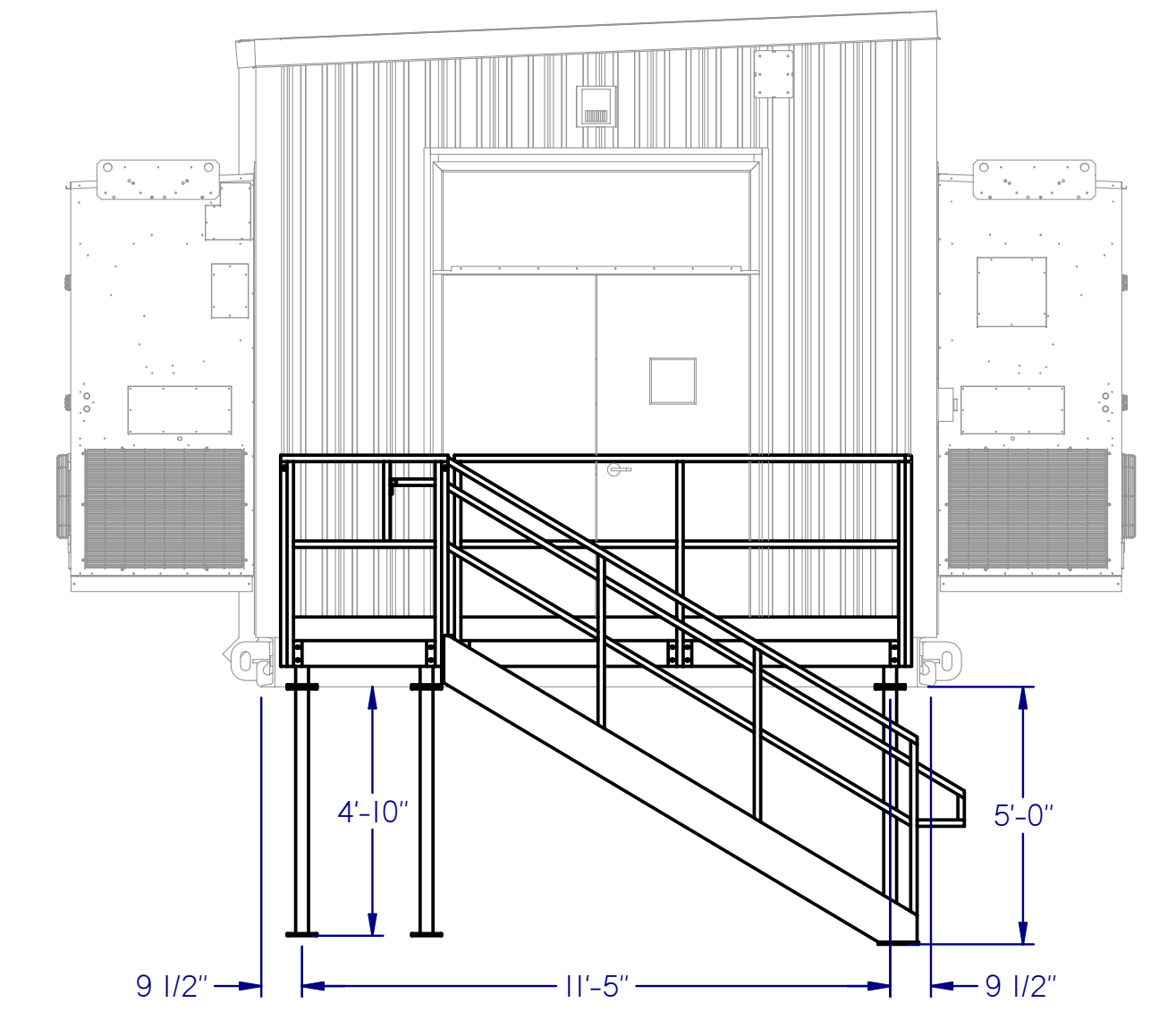
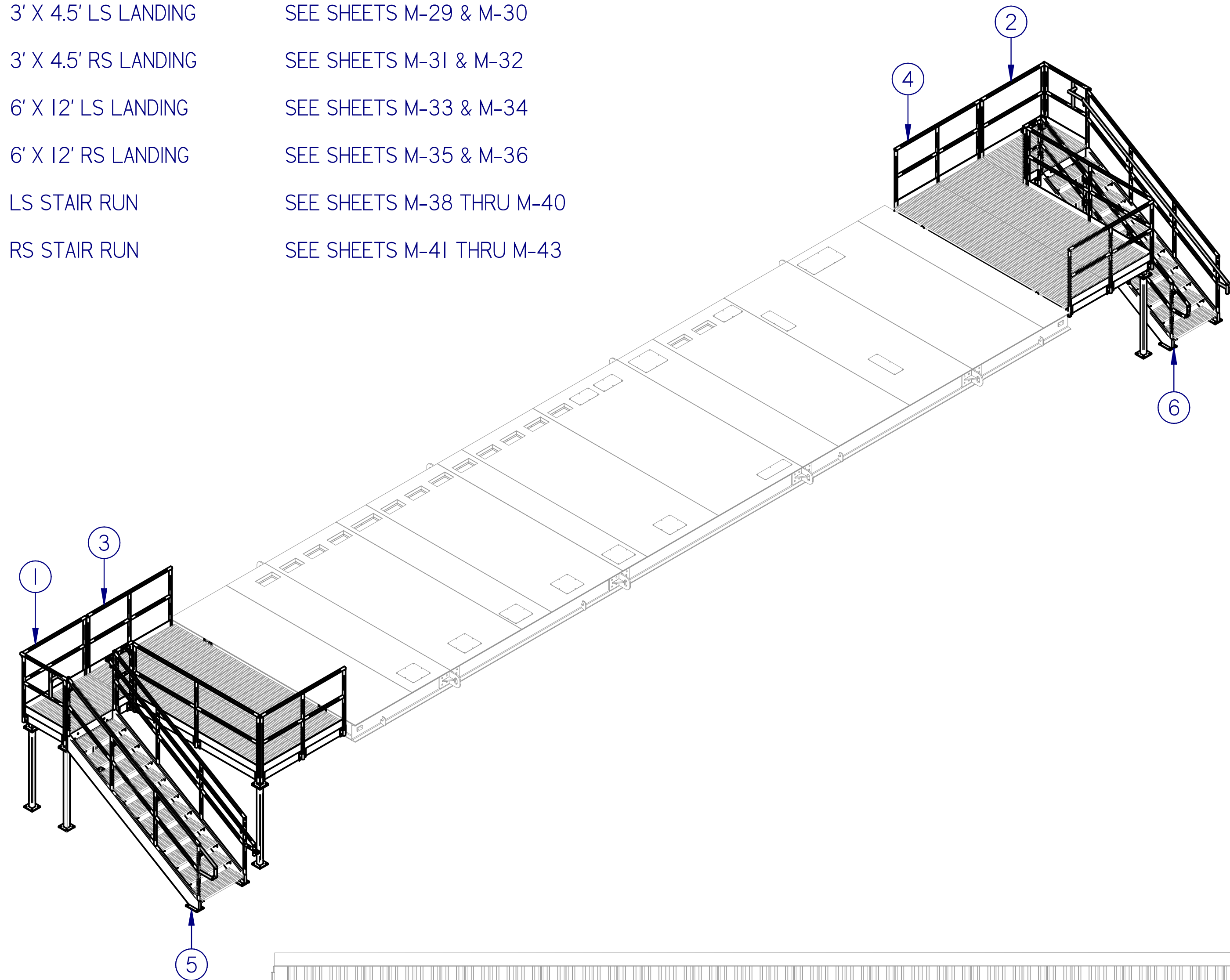
DRAWING NO. **M-25**
 SHT 25 OF 45

- ① 3' X 4.5' LS LANDING SEE SHEETS M-29 & M-30
- ② 3' X 4.5' RS LANDING SEE SHEETS M-31 & M-32
- ③ 6' X 12' LS LANDING SEE SHEETS M-33 & M-34
- ④ 6' X 12' RS LANDING SEE SHEETS M-35 & M-36
- ⑤ LS STAIR RUN SEE SHEETS M-38 THRU M-40
- ⑥ RS STAIR RUN SEE SHEETS M-41 THRU M-43

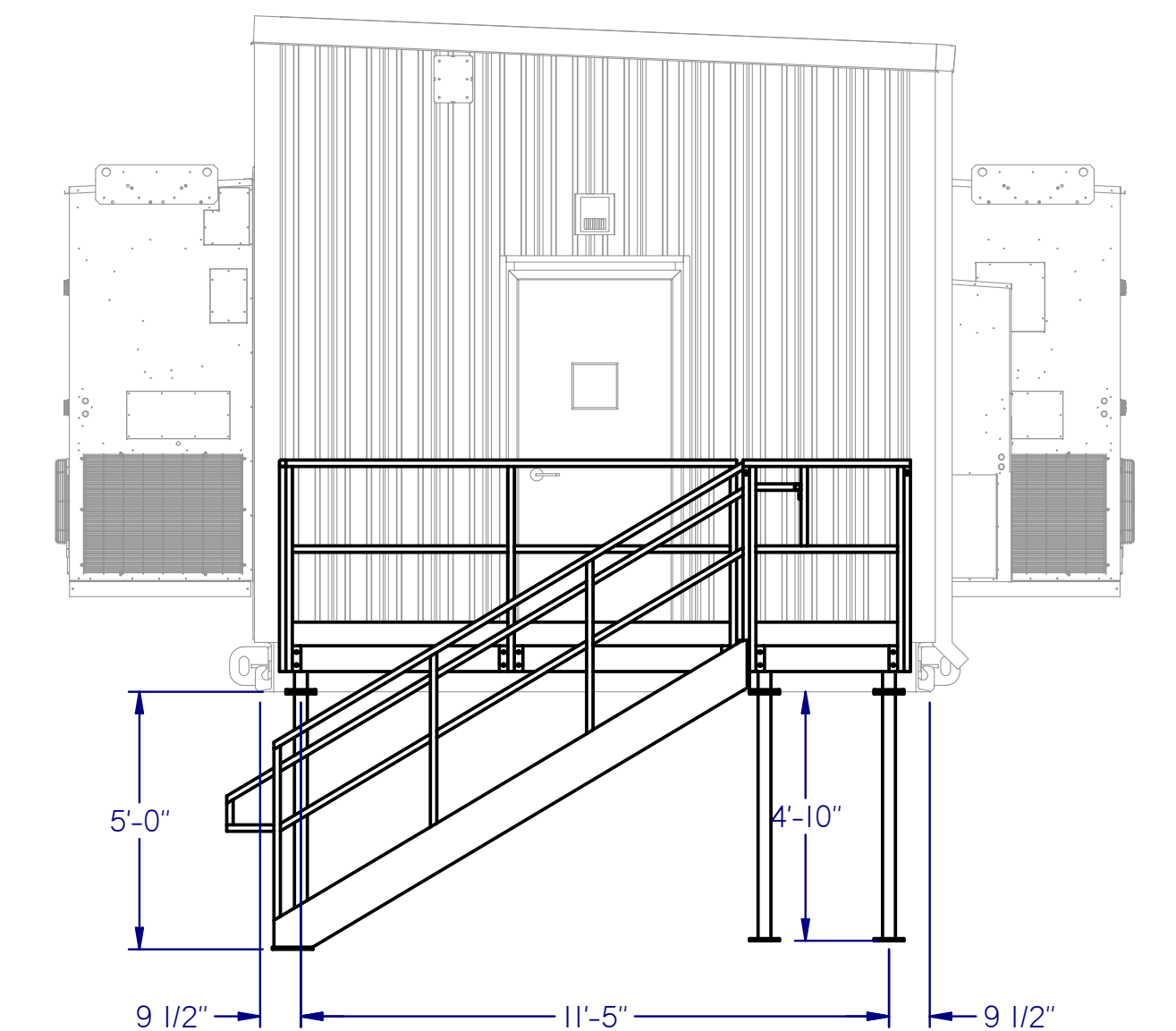
NOTES:

DESIGN

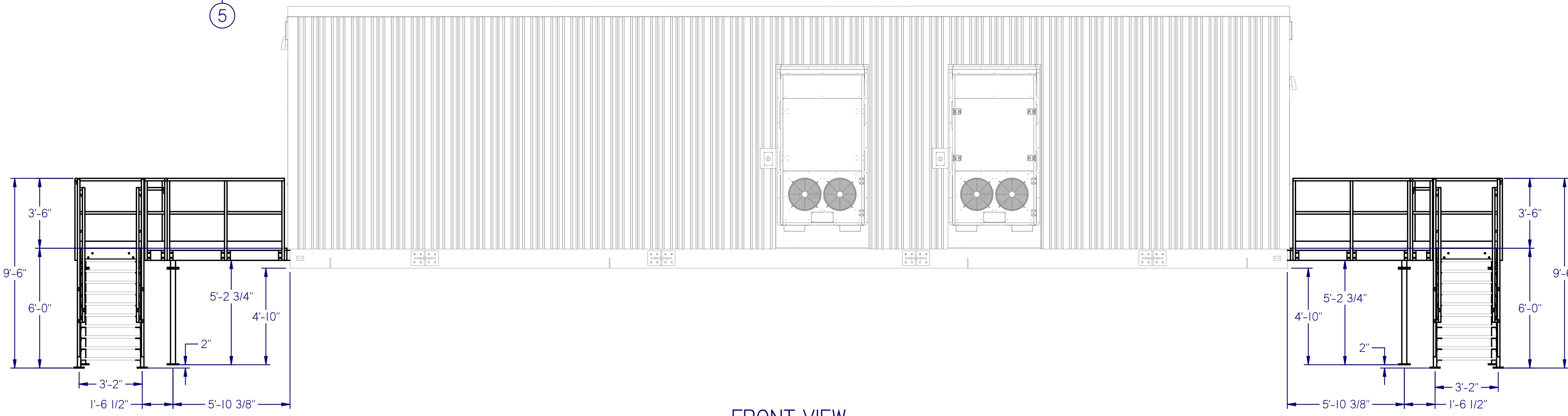
1. Design and construction based on 2015 IBC for structural items and platform, handrail, and stairway requirements. AISC Steel Construction Manual, 14th Edition, and Detailing for Steel Construction, 2nd Edition. Welding shall conform to AWS D1.1 and D1.3
2. Estimated weight completely assembled and installed = 3,600 lbs for 6' x 12' LS platform & stairs, 3,600 lbs for 6' x 12' RS platform & stairs.
3. All platform grating and stair treads to be 19W4, non-serrated, galvanized steel.
4. Structural Steel:
 - a. W-Shapes: ASTM A992
 - b. C-Shapes: ASTM A992 or A572 GR.50
 - c. HSS-Shapes: ASTM A500 GRB
 - d. Plate 1/4" thick and greater: ASTM A36
 - e. Plate less than 1/4" thick: ASTM A1011 CS Type B
 - f. Bar Grating: ASTM A1011 CS Type B
5. Foundation and attachment shall be designed by others.




LEFT VIEW
PLATFORMS & STAIRS



RIGHT VIEW
PLATFORMS & STAIRS



FRONT VIEW
PLATFORMS & STAIRS



1511 SOUTH HIGHWAY 6, PRICE, UT 84501
PHONE: (435) 637-7160 FAX: (435) 637-9601

8221 EAST 96TH AVE, UNIT A, HENDERSON, CO 80640
PHONE: (720) 409-1000

100 VALLEY DRIVE, SOUTHPOINT, OH 45680
PHONE: (740) 414-4770 FAX: (606) 644-0432

400 SWAN AVENUE, CENTRALIA, IL 62801
PHONE: (618) 214-1063 FAX: (606) 644-0442

www.intermountainelectronics.com

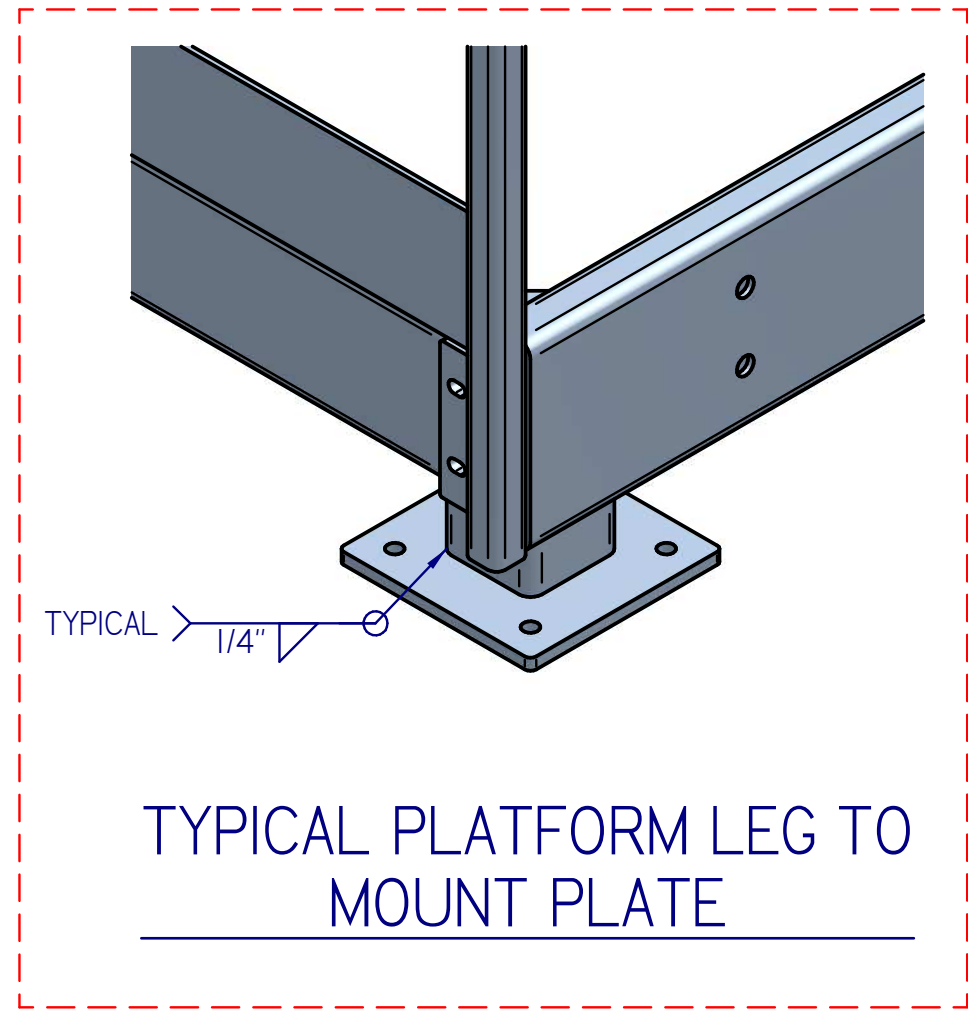
AS BUILT

PDC ENERGY
PDC-1000
PLATFORMS & STAIRS

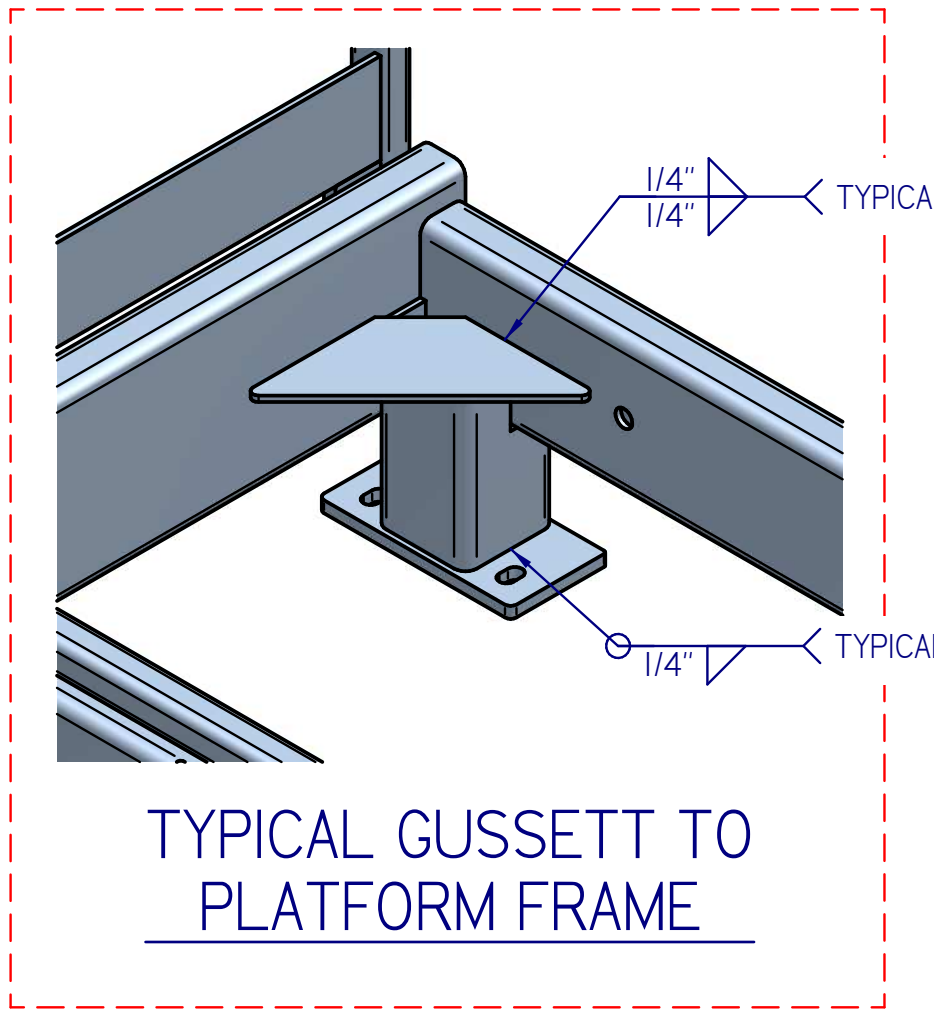
REVISIONS			
Rev:	Date:	Description:	By: / Approved:
FR 2.0	8/30/2018	ISSUED FOR REVIEW 2.0 - UPDATED PER P. E. L. REDLINES DATED 8/29/2018	WR / JY
FR 3.0	9/4/2018	ISSUED FOR REVIEW 3.0 - UPDATED PER P. E. L. AND ENGINEER REDLINES DATED 8/31/2018	WR / JY
IFC 1.0	9/7/2018	ISSUED FOR CONSTRUCTION	WR / JY
AS BUILT	10/25/2018	AS BUILT	WR / JY
			NA / NA
			NA / NA
			NA / NA

DRAWN BY: wrasmussen
ENGINEERED BY: J.S.Y., M.E.
APPROVED BY: _____
DATE: 7/25/2018
PROJECT NO. 217250-1-1
REV. IFC 1.0

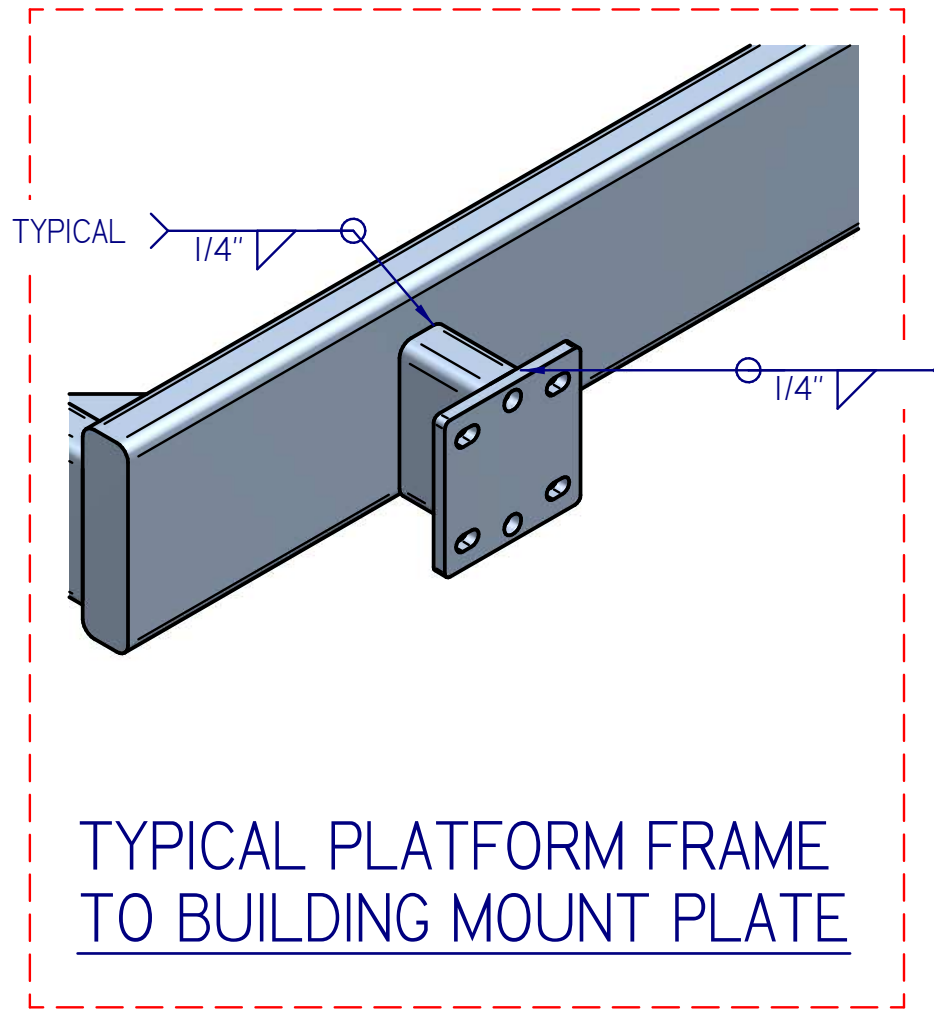
DRAWING NO. **M-26**
SHT 26 OF 45



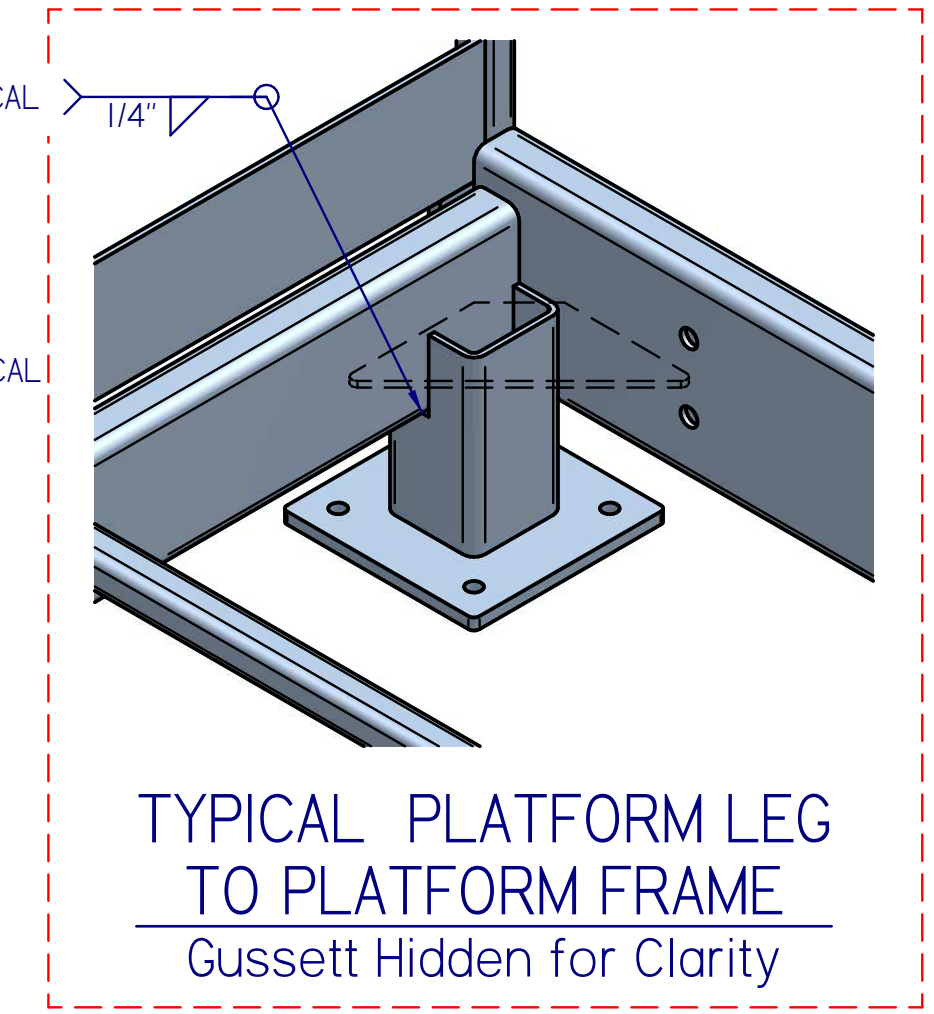
TYPICAL PLATFORM LEG TO MOUNT PLATE



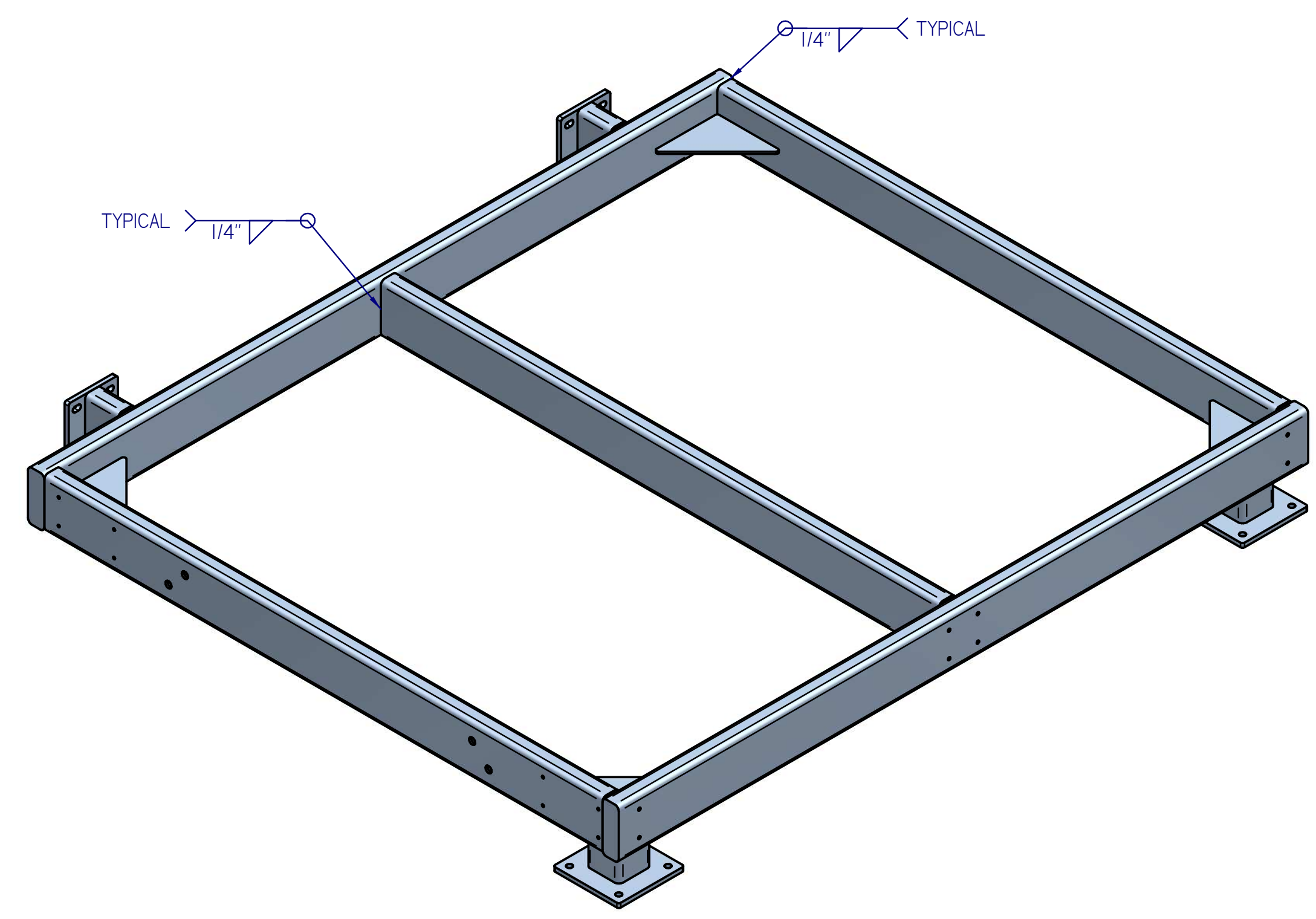
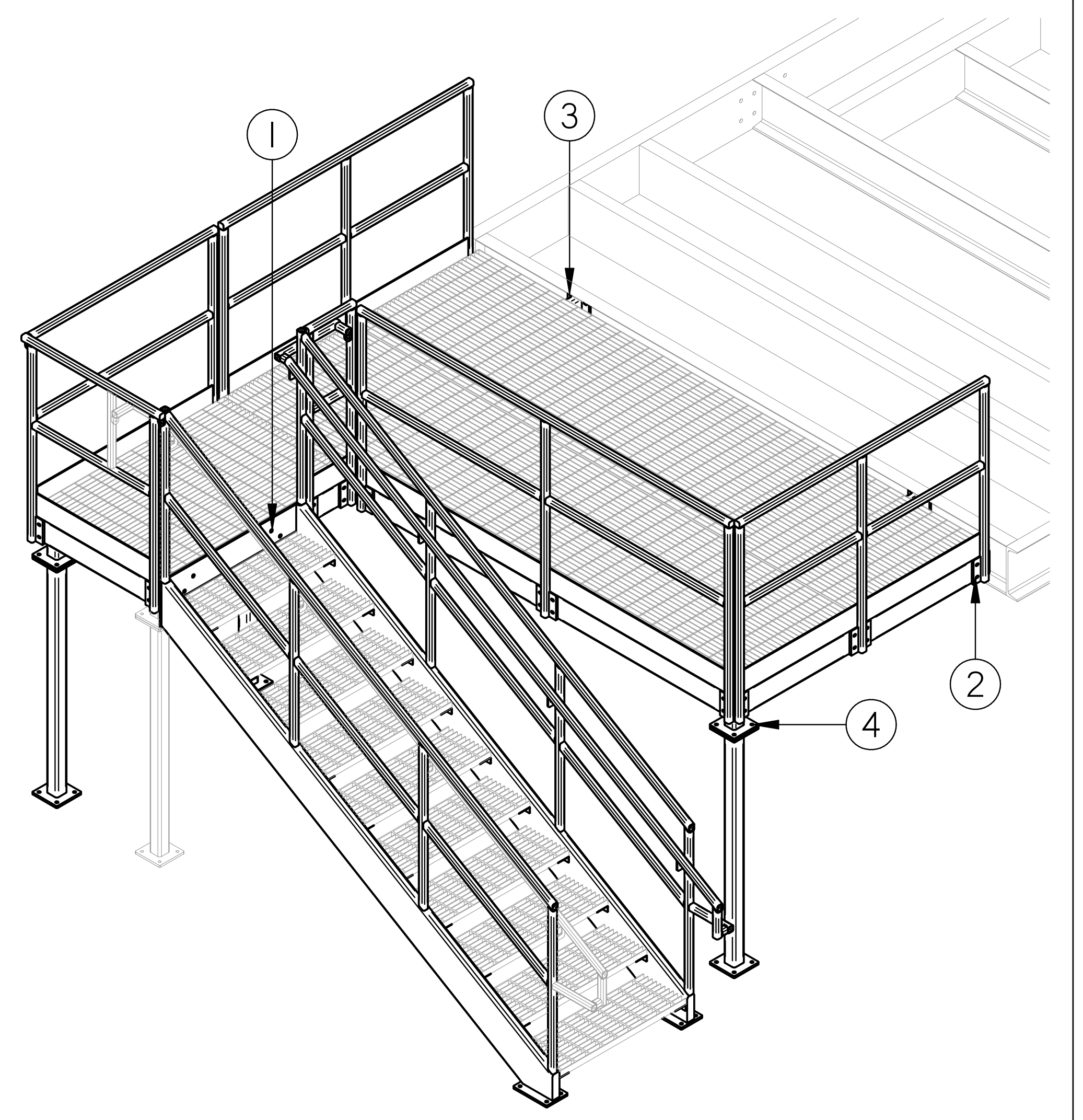
TYPICAL GUSSET TO PLATFORM FRAME



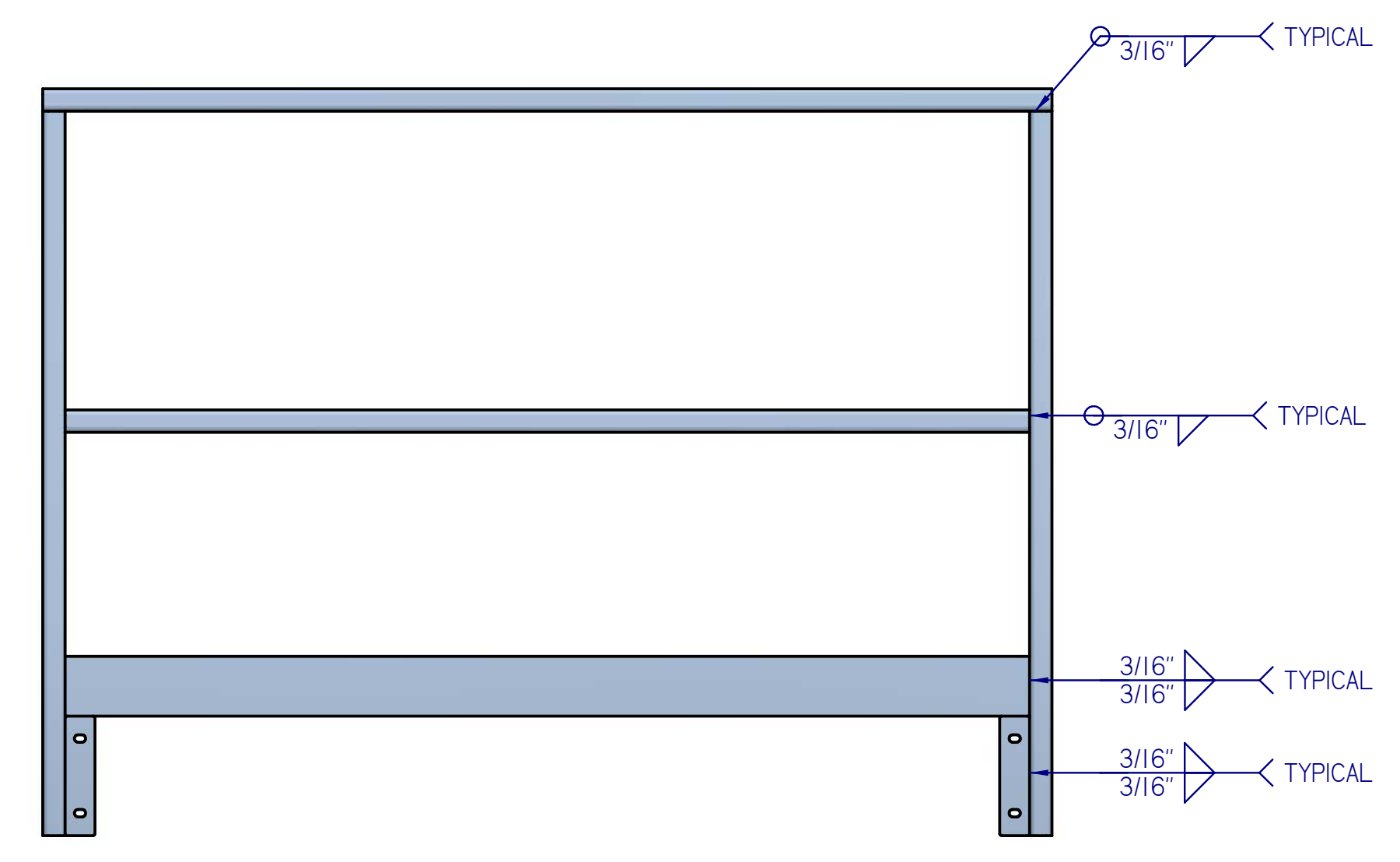
TYPICAL PLATFORM FRAME TO BUILDING MOUNT PLATE



TYPICAL PLATFORM LEG TO PLATFORM FRAME
Gusset Hidden for Clarity



TYPICAL PLATFORM



TYPICAL HANDRAIL

BOLT TABLE

- ① STAIRS TO PLATFORM: 5/8"-11 X 3.5" A325 GALVANIZED STRUCTURAL BOLT
- ② HANDRAIL TO PLATFORM: 3/8"-16 X 1.25" A307 GALVANIZED STRUCTURAL BOLT
- ③ PLATFORM TO BUILDING: 1/2"-13 X 2" A325 GALVANIZED STRUCTURAL BOLT
- ④ SUPPORT LEG TO PLATFORM: 1/2"-13 X 2" A325 GALVANIZED STRUCTURAL BOLT



1511 SOUTH HIGHWAY 6, PRICE, UT 84501
PHONE: (435) 637-7160 FAX: (435) 637-9601

8221 EAST 96TH AVE, UNIT A, HENDERSON, CO 80640
PHONE: (720) 409-1000

100 VALLEY DRIVE, SOUTHPOINT, OH 45680
PHONE: (740) 414-4770 FAX: (606) 644-0432

400 SWAN AVENUE, CENTRALIA, IL 62801
PHONE: (618) 214-1063 FAX: (606) 644-0442

AS BUILT

PDC ENERGY
PDC-1000
STANDARD PLATFORM WELD DETAILS

REVISIONS				
Rev:	Date:	Description:	By:	Approved:
FR 2.0	8/30/2018	ISSUED FOR REVIEW 2.0 - UPDATED PER P. E. L. REDLINES DATED 8/29/2018	WR	JY
FR 3.0	9/4/2018	ISSUED FOR REVIEW 3.0 - UPDATED PER P. E. L. AND ENGINEER REDLINES DATED 8/31/2018	WR	JY
IFC 1.0	9/7/2018	ISSUED FOR CONSTRUCTION	WR	JY
AS BUILT	10/25/2018	AS BUILT	WR	JY
			NA	NA
			NA	NA
			NA	NA

DRAWN BY: wrasmussen
ENGINEERED BY: J.S.Y., M.E.
APPROVED BY: -
DATE: 7/25/2018
PROJECT NO. 217250-1-1
REV. IFC 1.0

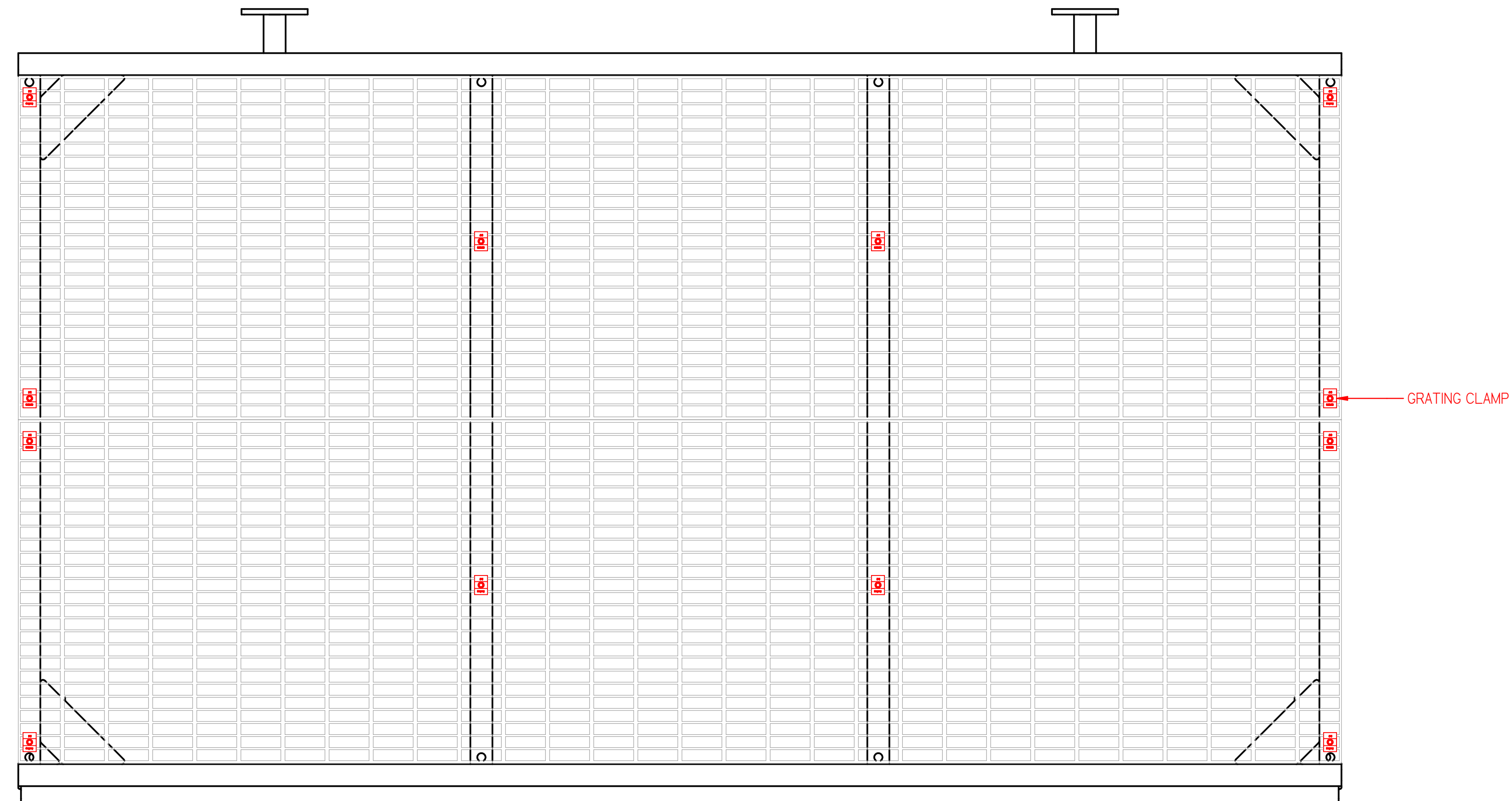
DRAWING NO. M-27
SHT 27 OF 45

NOTES:

ALL LANDING GRATING TO BE GALVANIZED,
19-W-4 X 1-1/4" X 3/16" NON-SERRATED BAR GRATING.

ALL STAIR TREADS TO BE GALVANIZED, 19-W-4 X 1 1/2" X 3/16"
NON-SERRATED BAR GRATING WITH NOSING.

GRATING CLAMPS TO BE ATTACHED AT 4 CORNERS OF
EACH PLANK AND 1 AT EACH MIDSPAN SUPPORT. STAIR
TREADS TO HAVE 4 EACH GRATING CLAMPS, ONE AT EACH
CORNER.



PLAN VIEW
Grating Detail



- 1511 SOUTH HIGHWAY 6, PRICE, UT 84501
PHONE: (435) 637-7160 FAX: (435) 637-9601
- 8221 EAST 96TH AVE, UNIT A, HENDERSON, CO 80640
PHONE: (720) 409-1000
- 100 VALLEY DRIVE, SOUTHPOINT, OH 45680
PHONE: (740) 414-4770 FAX: (606) 644-0432
- 400 SWAN AVENUE, CENTRALIA, IL 62801
PHONE: (618) 214-1063 FAX: (606) 644-0442

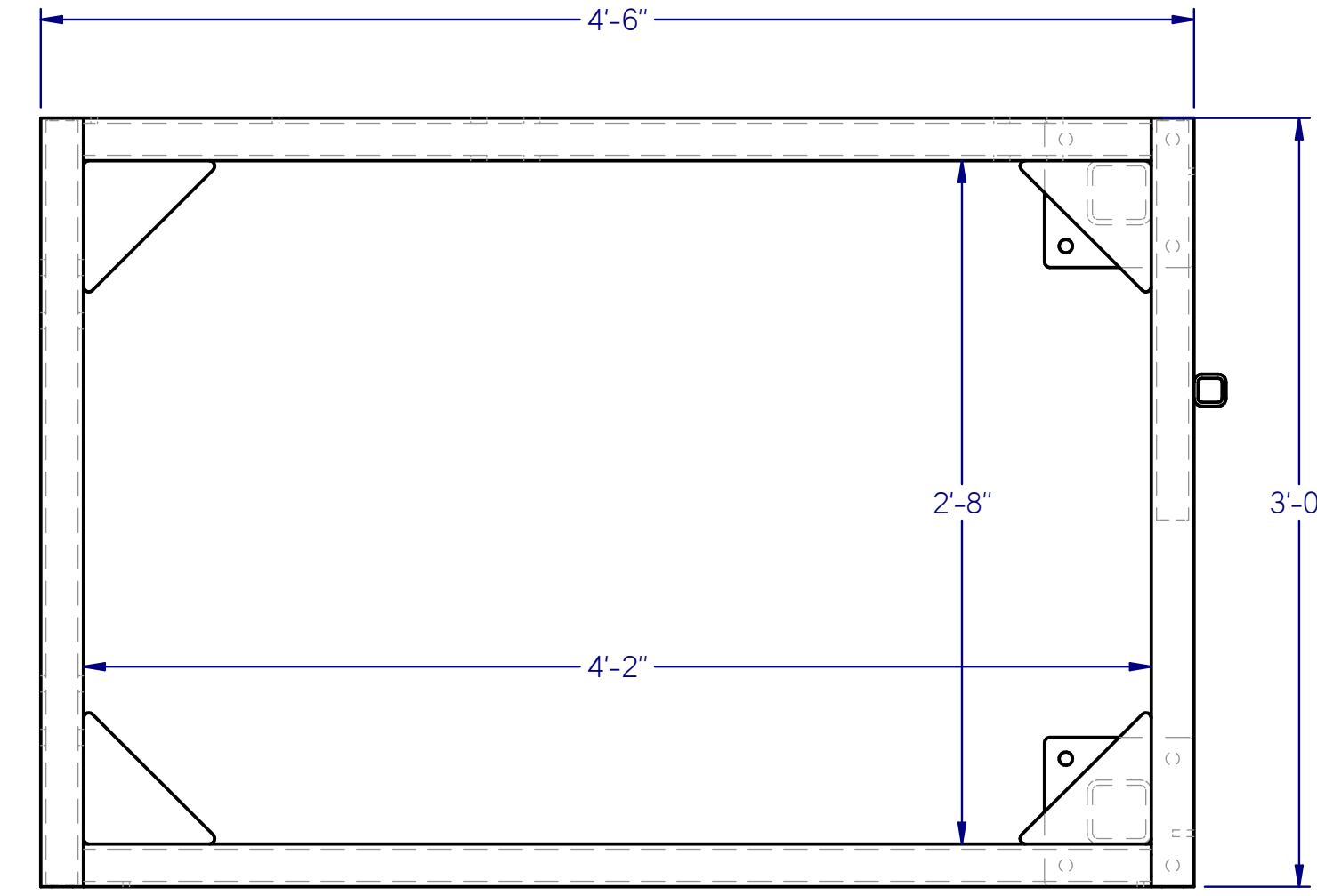
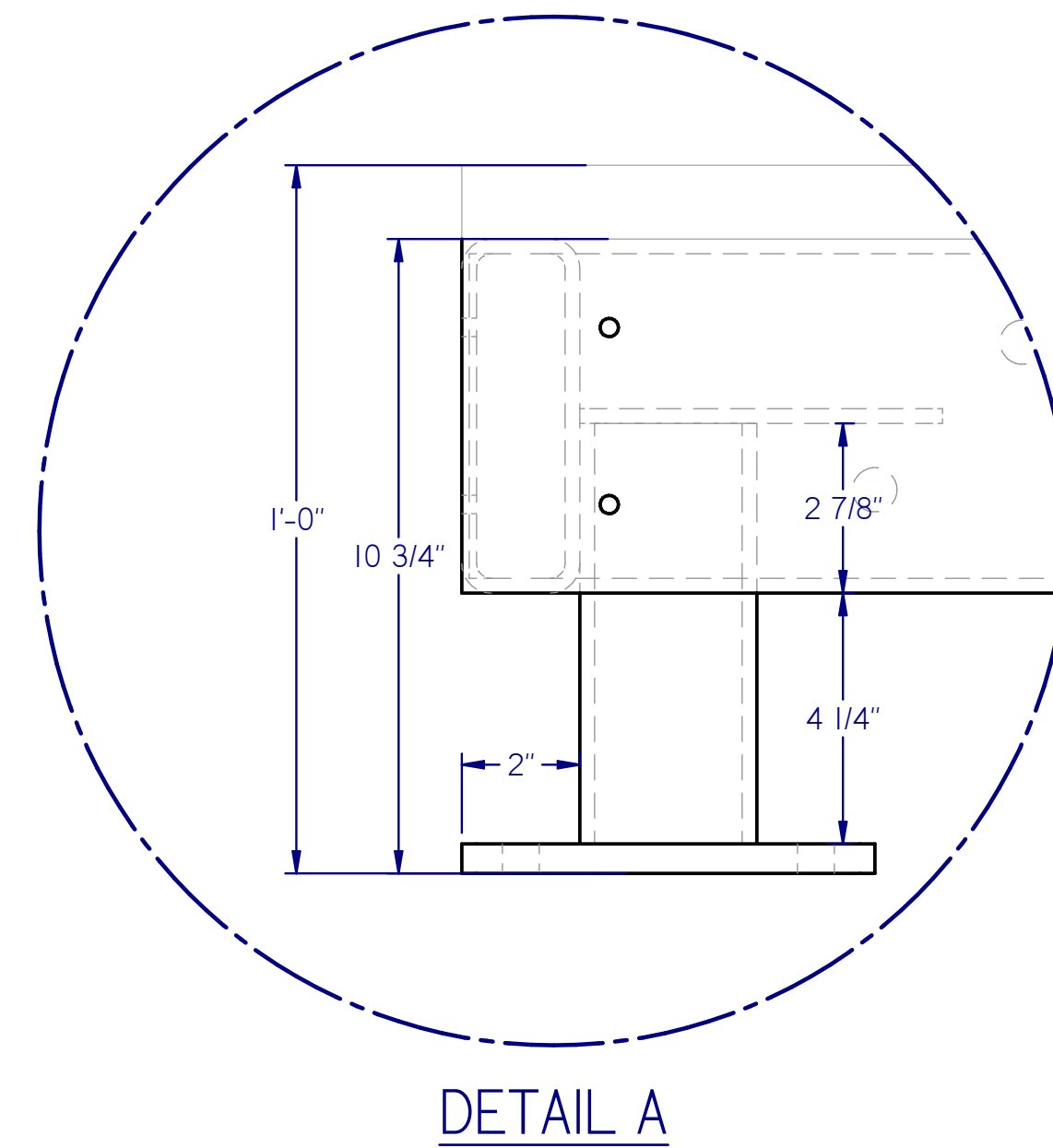
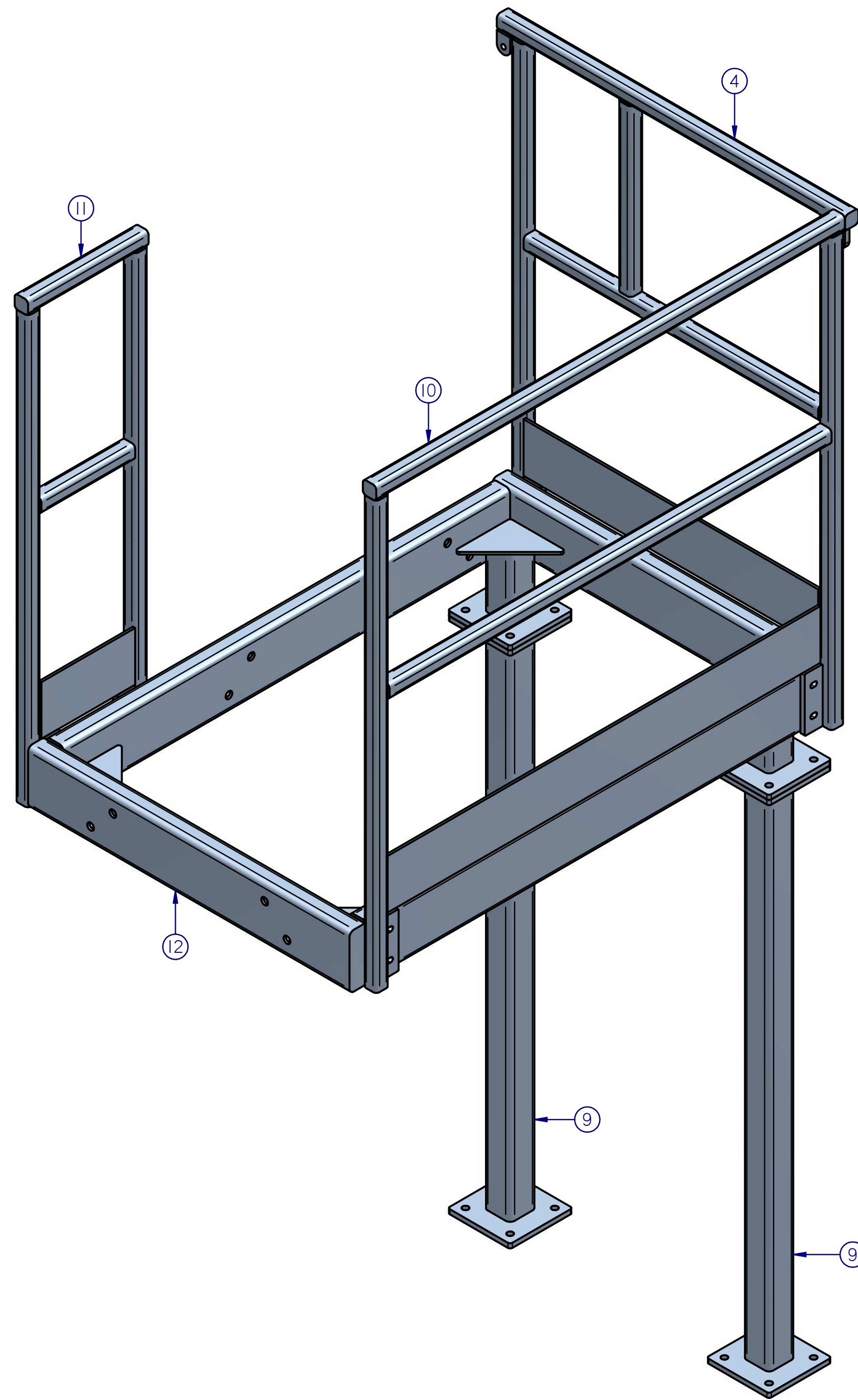
AS BUILT

PDC ENERGY
PDC-1000
GRATING DETAILS

REVISIONS					
Rev:	Date:	Description:	By:	Approved:	
FR 2.0	8/30/2018	ISSUED FOR REVIEW 2.0 - UPDATED PER P. E. L. REDLINES DATED 8/29/2018	WR	JY	
FR 3.0	9/4/2018	ISSUED FOR REVIEW 3.0 - UPDATED PER P. E. L. AND ENGINEER REDLINES DATED 8/31/2018	WR	JY	
IFC 1.0	9/7/2018	ISSUED FOR CONSTRUCTION	WR	JY	
AS BUILT	10/25/2018	AS BUILT	WR	JY	
			NA	NA	
			NA	NA	
			NA	NA	
			NA	NA	

DRAWN BY: wrasmussen
 ENGINEERED BY: J.S.Y., M.E.
 APPROVED BY: _____
 DATE: 7/25/2018
 PROJECT NO. 217250-1-1 REV. IFC 1.0

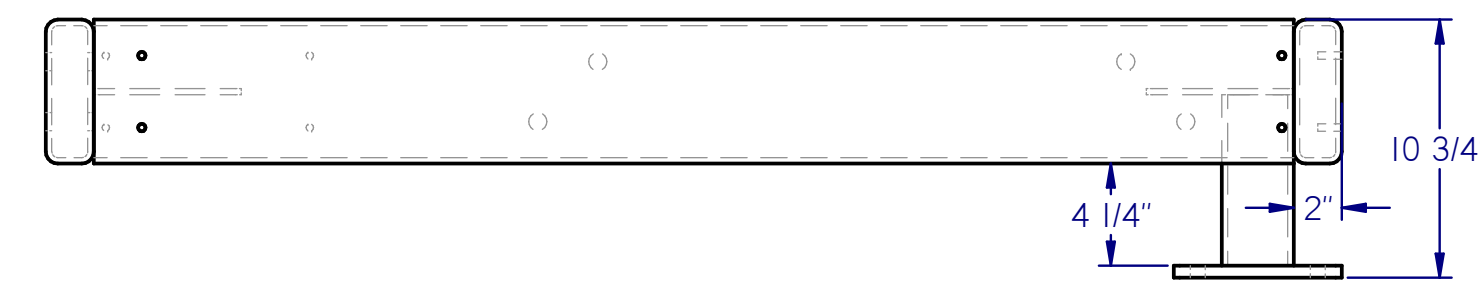
DRAWING NO. M-28
 SHT 28 OF 45



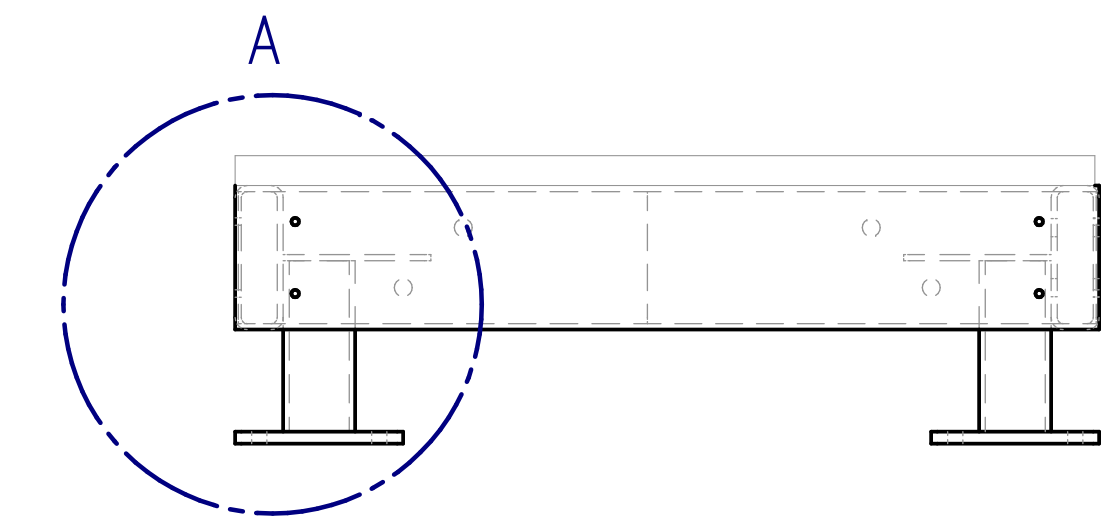
PLATFORM - PLAN VIEW



PLATFORM - LEFT VIEW



PLATFORM - FRONT VIEW



PLATFORM - RIGHT VIEW

3' X 4.5' LS LANDING PARTS LIST			
Item Number	Quantity	File Name	Ref.
4	1	217250 HANDRAIL E	SEE SHEET M-37
9	2	217250 REMV. PLATFORM SUPP. LEG	SEE SHEET M-30
10	1	217250 HANDRAIL F	SEE SHEET M-37
11	1	217250 HANDRAIL G	SEE SHEET M-37
12	1	3' X 4.5' LS LANDING	SEE SHEET M-30

① 3' X 4.5' LS LANDING (600 LBS)
1 EACH



1511 SOUTH HIGHWAY 6, PRICE, UT 84501
PHONE: (435) 637-7160 FAX: (435) 637-9601
8221 EAST 96TH AVE, UNIT A, HENDERSON, CO 80640
PHONE: (720) 409-1000
100 VALLEY DRIVE, SOUTHPOINT, OH 45680
PHONE: (740) 414-4770 FAX: (606) 644-0432
400 SWAN AVENUE, CENTRALIA, IL 62801
PHONE: (618) 214-1063 FAX: (606) 644-0442

AS BUILT

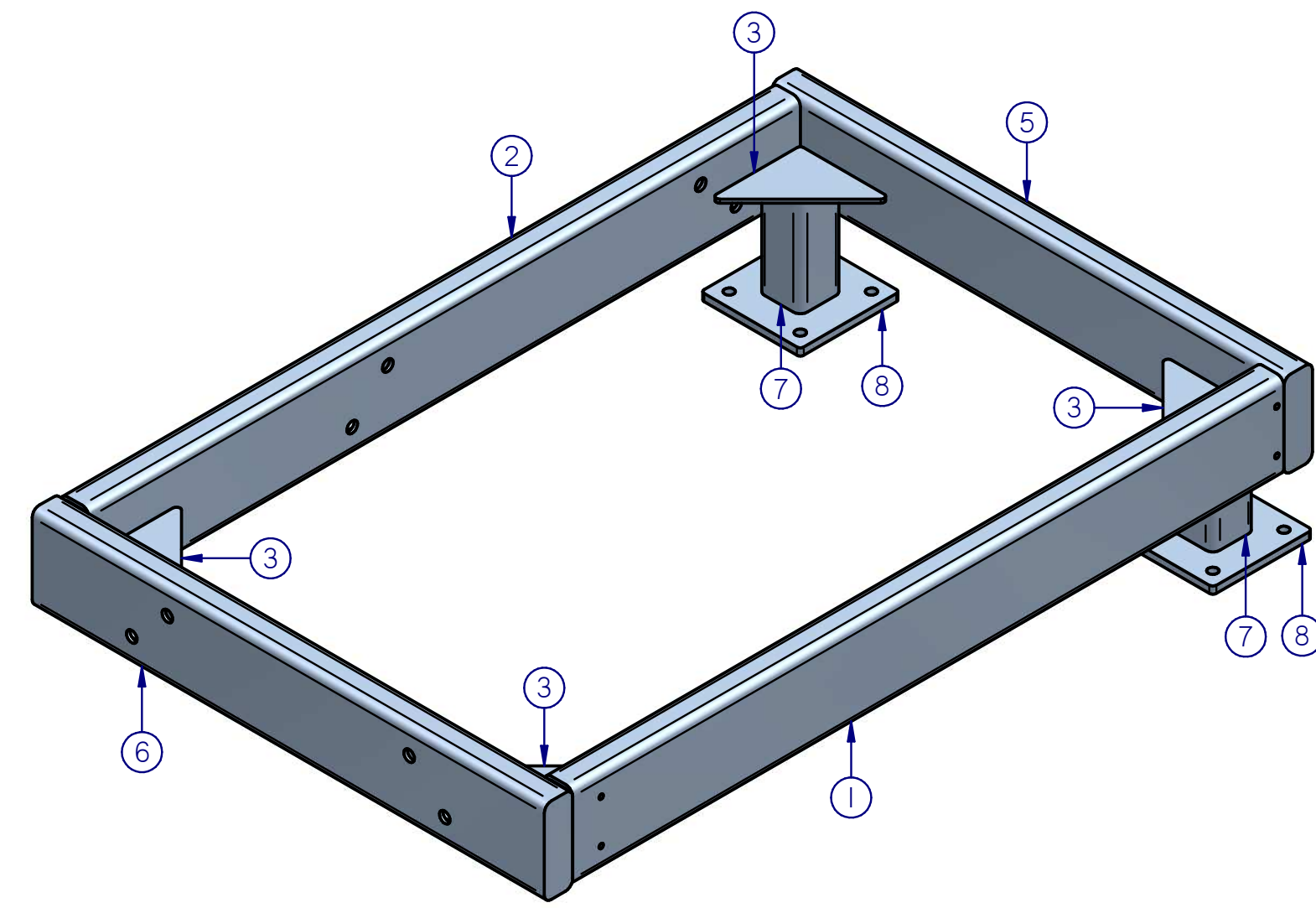
PDC ENERGY
PDC-1000
3' X 4.5' LS LANDING

REVISIONS

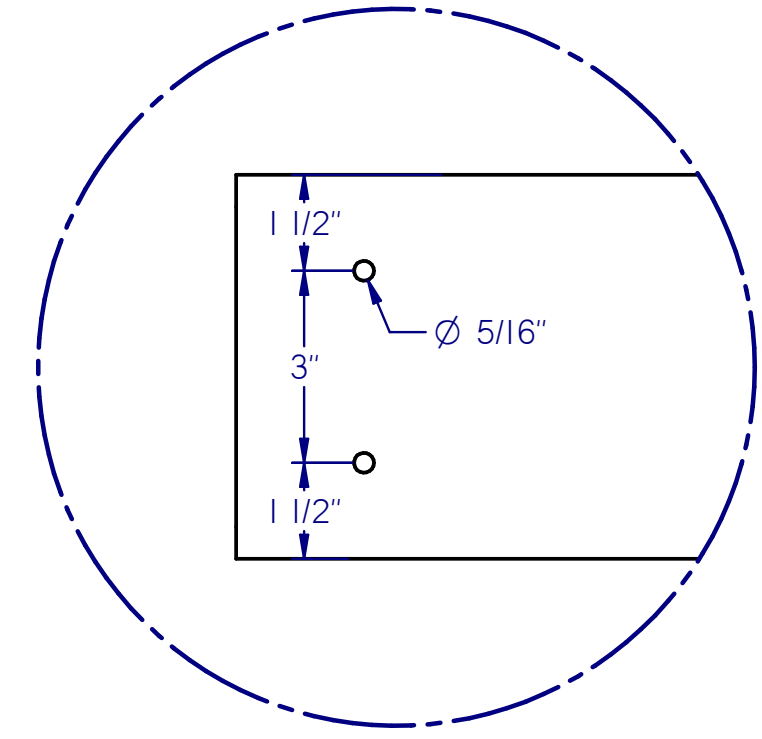
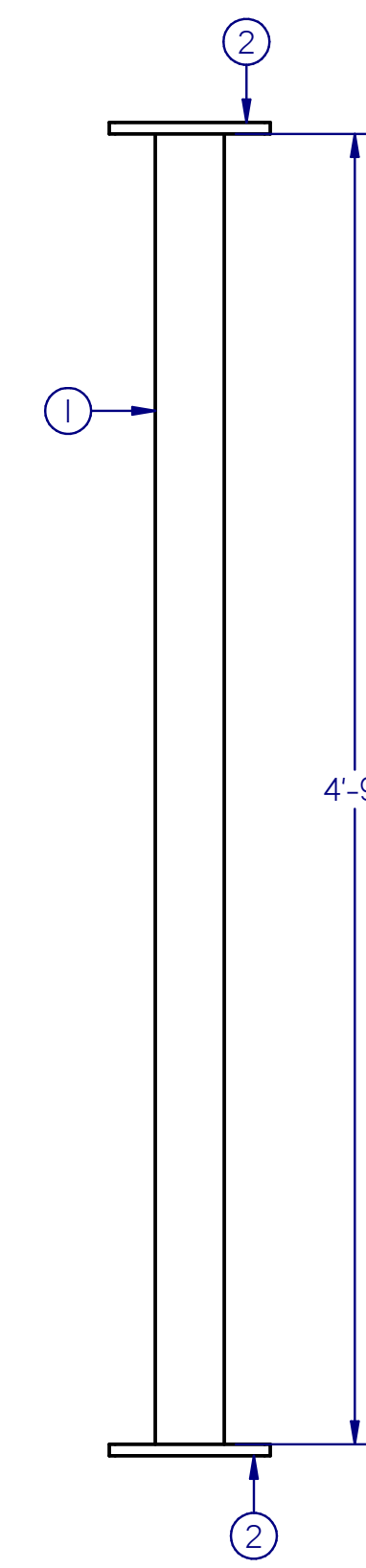
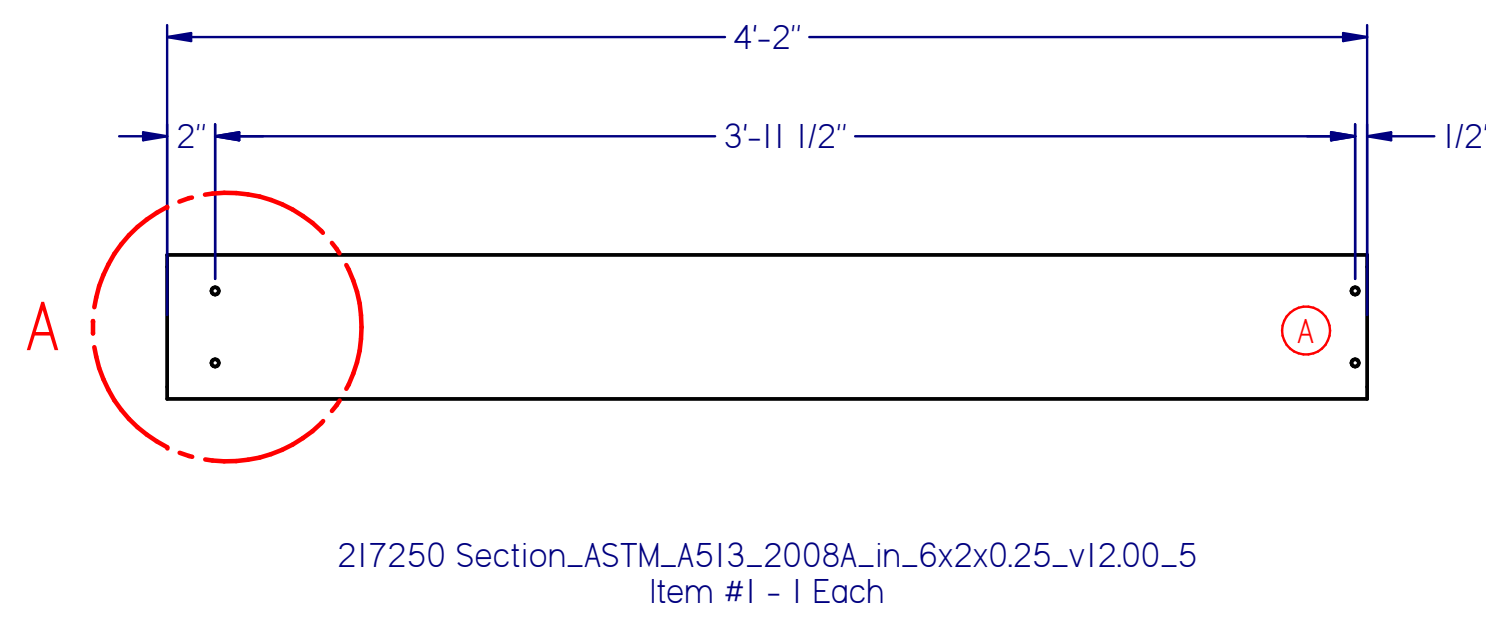
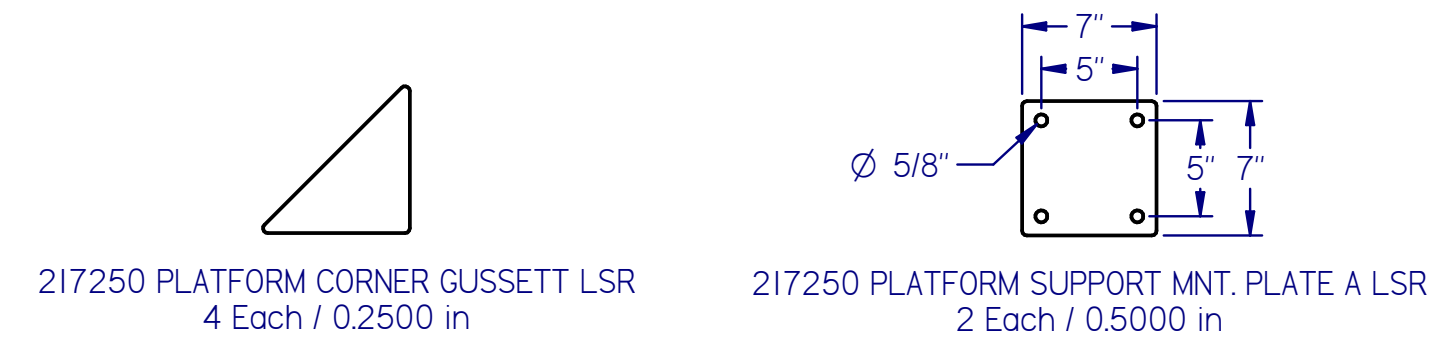
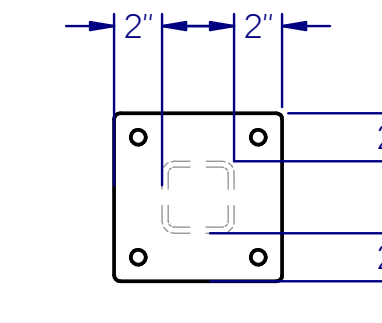
Rev:	Date:	Description:	By:	Approved:
FR 2.0	8/30/2018	ISSUED FOR REVIEW 2.0 - UPDATED PER P. E. L. REDLINES DATED 8/29/2018	WR	JY
FR 3.0	9/4/2018	ISSUED FOR REVIEW 3.0 - UPDATED PER P. E. L. AND ENGINEER REDLINES DATED 8/31/2018	WR	JY
IFC 1.0	9/7/2018	ISSUED FOR CONSTRUCTION	WR	JY
AS BUILT	10/25/2018	AS BUILT	WR	JY
			NA	NA
			NA	NA
			NA	NA

DRAWN BY: wrasmussen
ENGINEERED BY: J.S.Y., M.E.
APPROVED BY: _____
DATE: 7/25/2018
PROJECT NO. 217250-1-1 REV. IFC 1.0

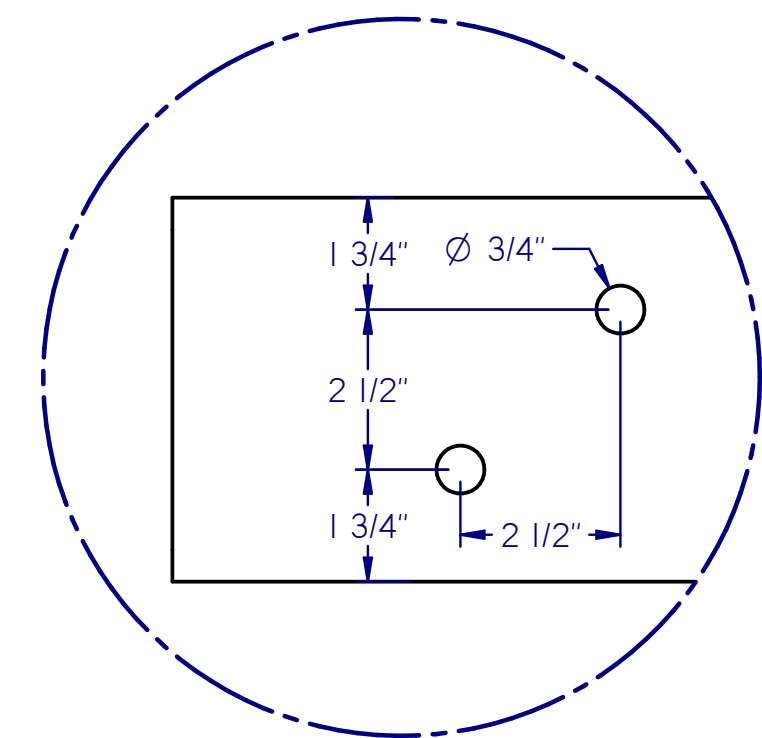
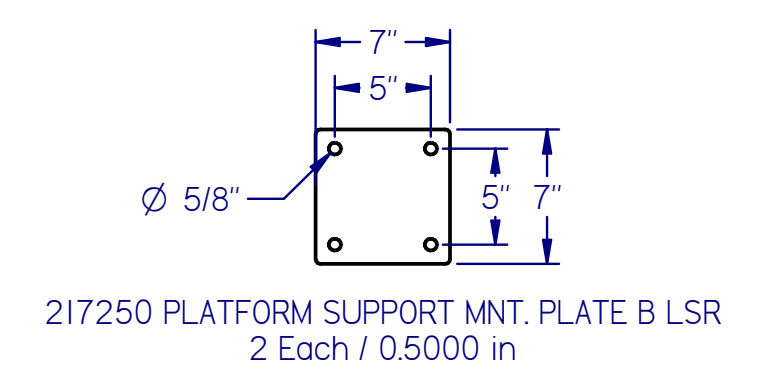
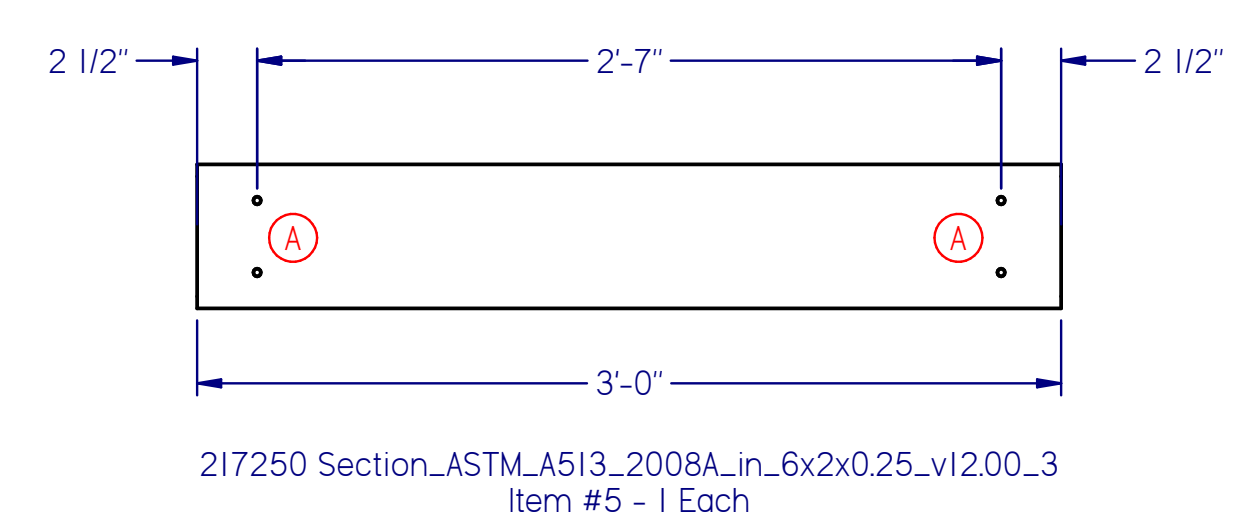
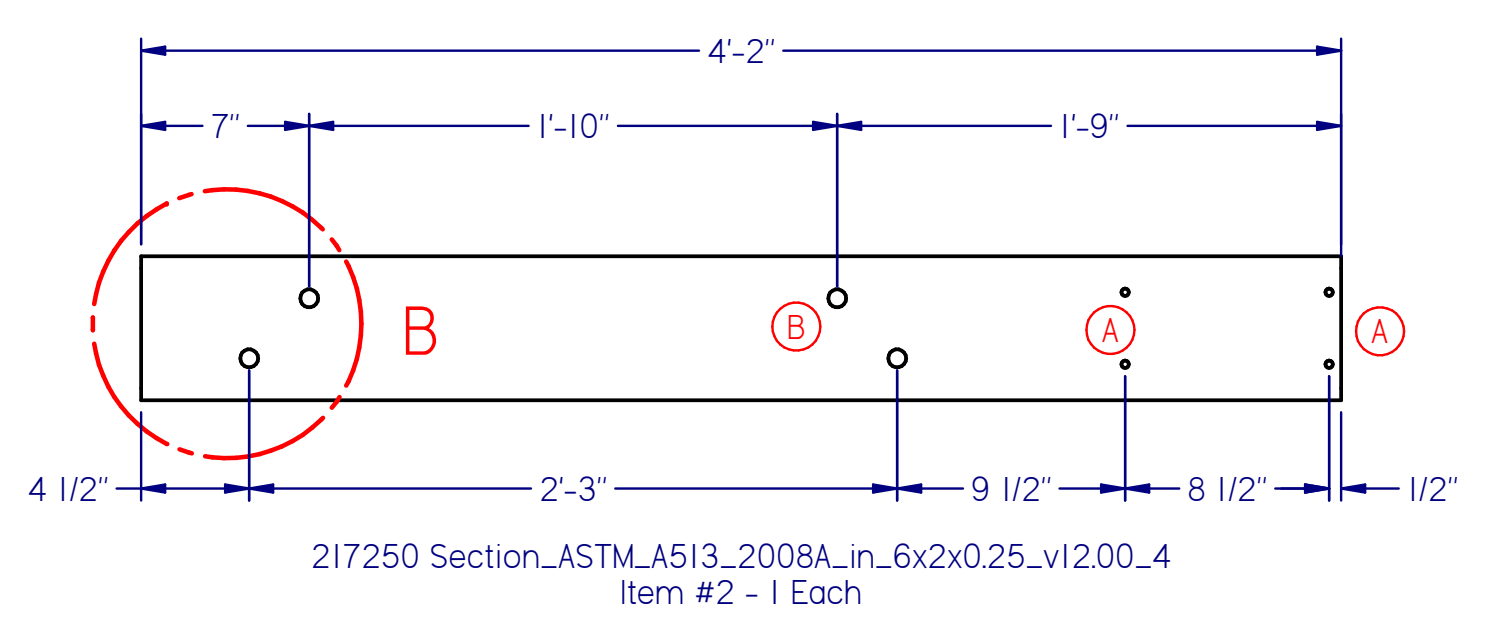
DRAWING NO. M-29
SHT 29 OF 45



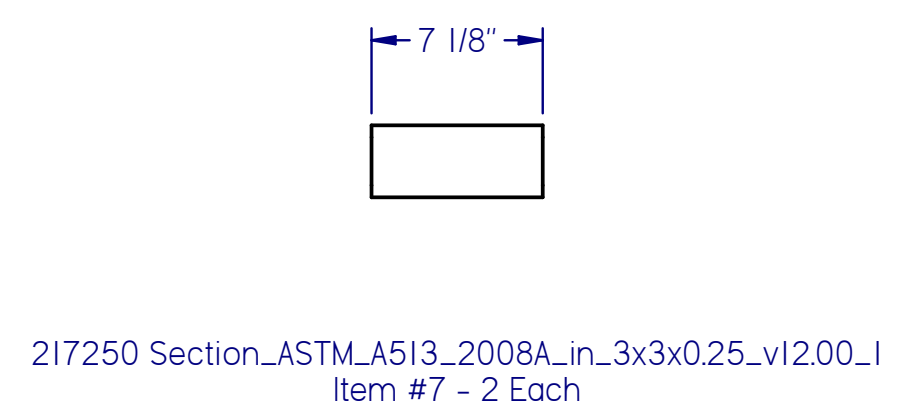
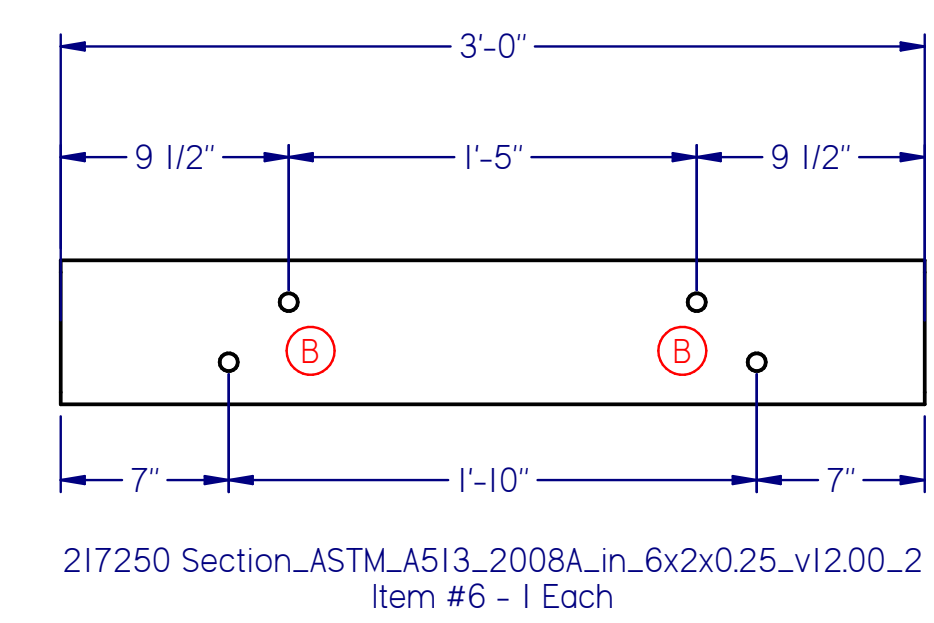
3' X 4.5' LS LANDING CUT LIST		
Item Number	Quantity	File Name
1	1	217250 Section_ASTM_A513_2008A_in_6x2x0.25_v12.00_5
2	1	217250 Section_ASTM_A513_2008A_in_6x2x0.25_v12.00_4
3	4	217250 PLATFORM CORNER GUSSETT LSR
5	1	217250 Section_ASTM_A513_2008A_in_6x2x0.25_v12.00_3
6	1	217250 Section_ASTM_A513_2008A_in_6x2x0.25_v12.00_2
7	2	217250 Section_ASTM_A513_2008A_in_3x3x0.25_v12.00_1
8	2	217250 PLATFORM SUPPORT MNT. PLATE A LSR



DETAIL A
TAP FOR 3/8"-16
HEX BOLT



DETAIL B
THRU HOLE FOR
5/8"-11 HEX BOLT



REMOVABLE PLATFORM SUPPORT LEG
8 EACH

REMOVABLE PLATFORM SUPPORT LEG PARTS LIST			
Item Number	Quantity	File Name	Length
1	1	217250 Section_ASTM_A513_2008A_in_3x3x0.25_v12.00	4'-9"
2	2	217250 PLATFORM SUPPORT MNT. PLATE B LSR	N/A

- 1511 SOUTH HIGHWAY 6, PRICE, UT 84501
PHONE: (435) 637-7160 FAX: (435) 637-9601
- 8221 EAST 96TH AVE, UNIT A, HENDERSON, CO 80640
PHONE: (720) 409-1000
- 100 VALLEY DRIVE, SOUTHPOINT, OH 45680
PHONE: (740) 414-4770 FAX: (606) 644-0432
- 400 SWAN AVENUE, CENTRALIA, IL 62801
PHONE: (618) 214-1063 FAX: (606) 644-0442

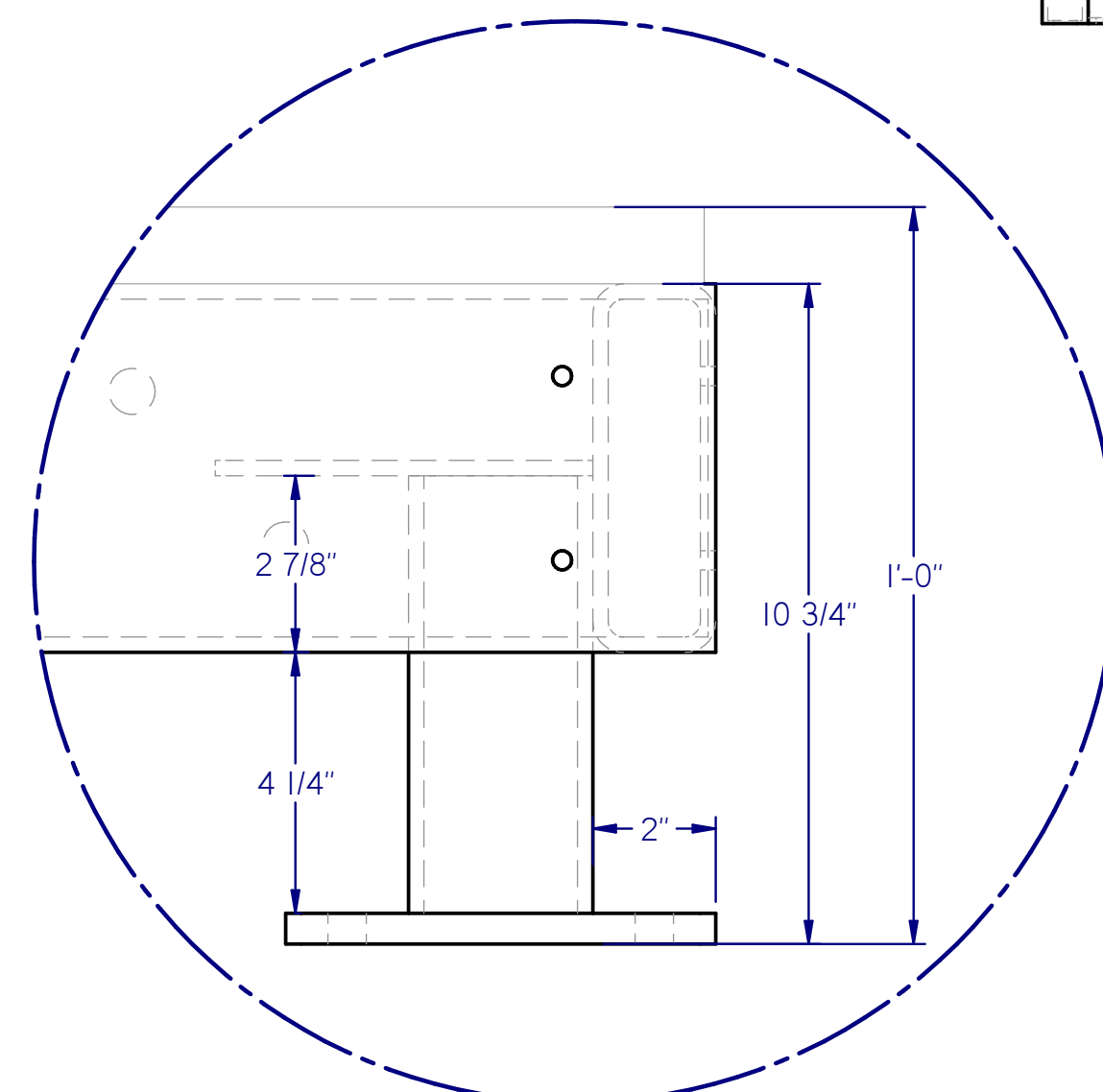
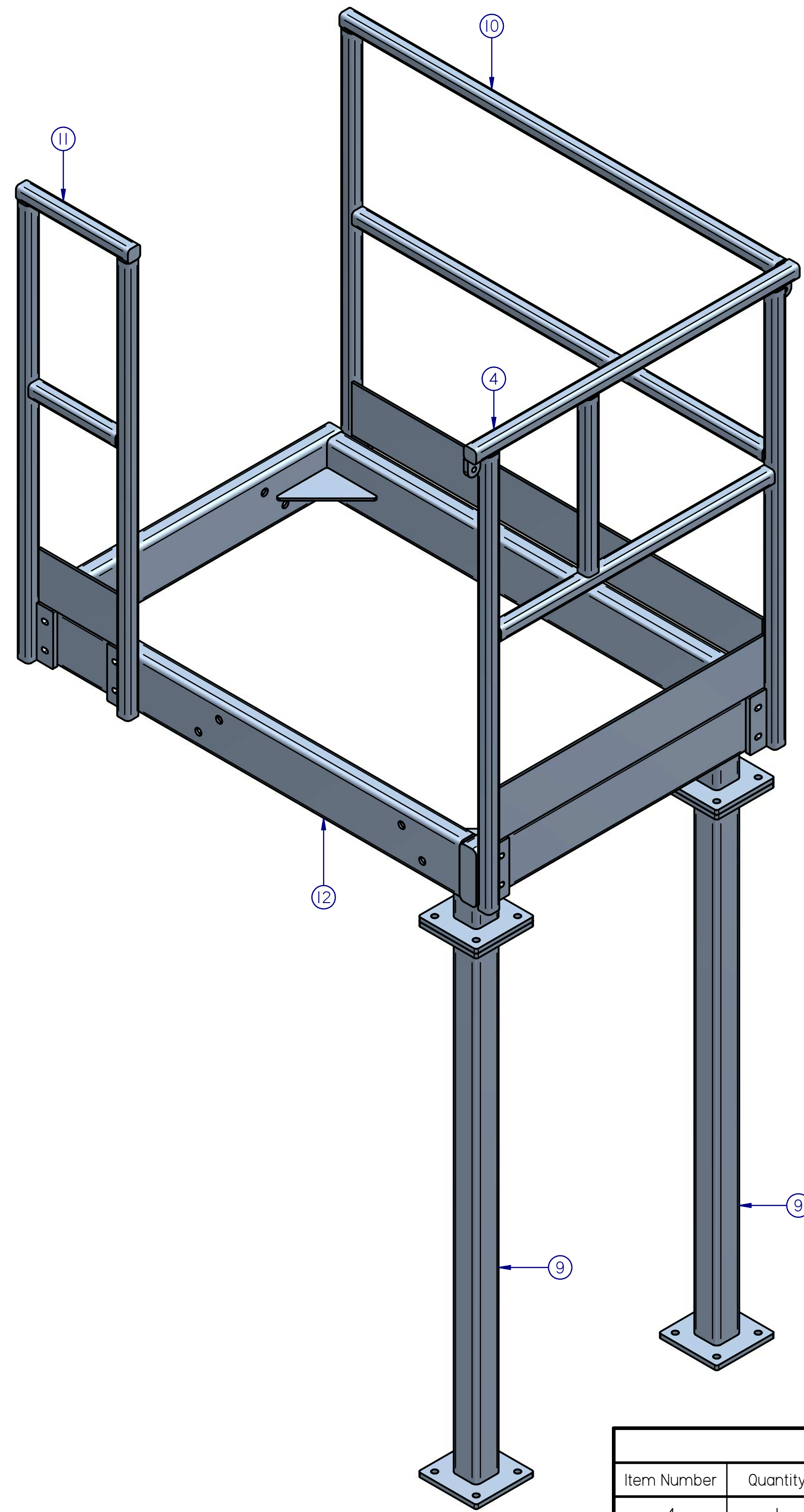
AS BUILT

PDC ENERGY
PDC-1000
3' X 4.5' LS LANDING CUT LIST

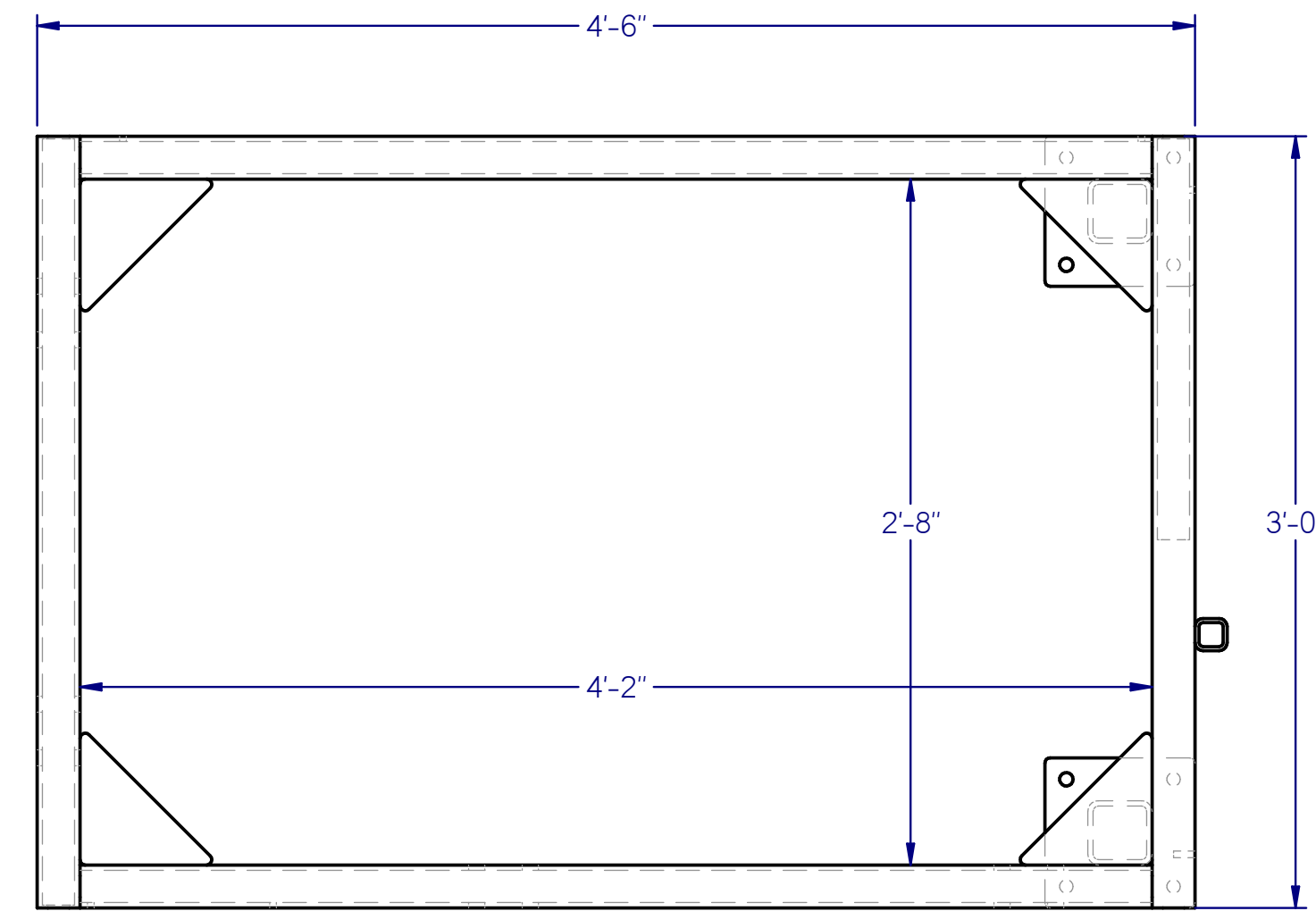
REVISIONS				
Rev:	Date:	Description:	By:	Approved:
FR 2.0	8/30/2018	ISSUED FOR REVIEW 2.0 - UPDATED PER P. E. L. REDLINES DATED 8/29/2018	WR	JY
FR 3.0	9/4/2018	ISSUED FOR REVIEW 3.0 - UPDATED PER P. E. L. AND ENGINEER REDLINES DATED 8/31/2018	WR	JY
IFC 1.0	9/7/2018	ISSUED FOR CONSTRUCTION	WR	JY
AS BUILT	10/25/2018	AS BUILT	WR	JY
			NA	NA
			NA	NA
			NA	NA
			NA	NA

DRAWN BY: wrasmussen
ENGINEERED BY: J.S.Y., M.E.
APPROVED BY: _____
DATE: 7/25/2018
PROJECT NO. 217250-1-1
REV. IFC 1.0

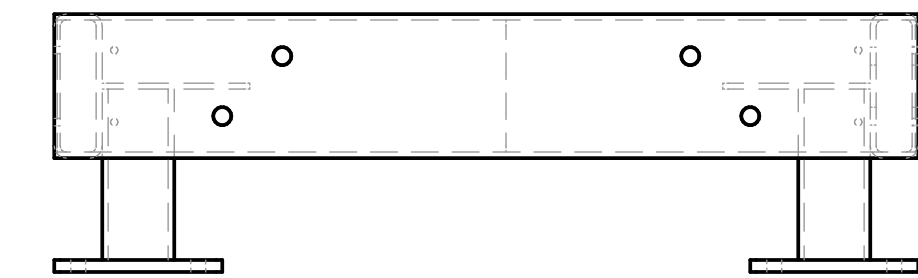
DRAWING NO. M-30
SHT 30 OF 45



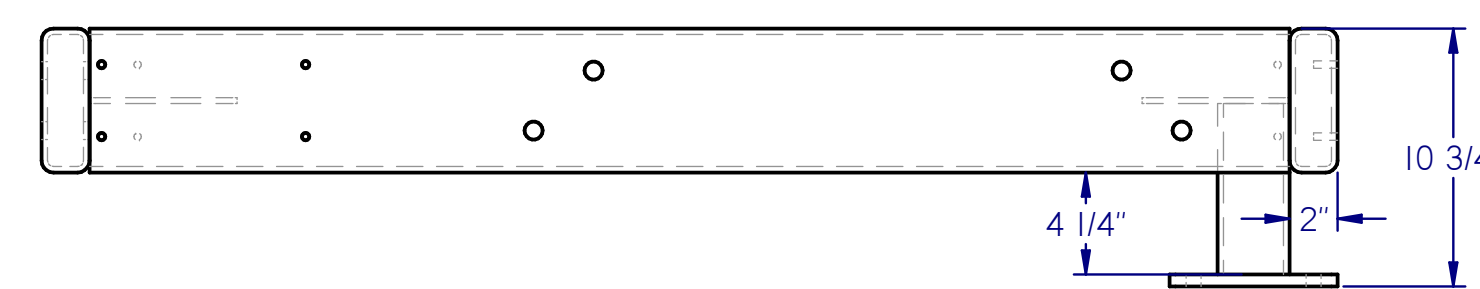
DETAIL A



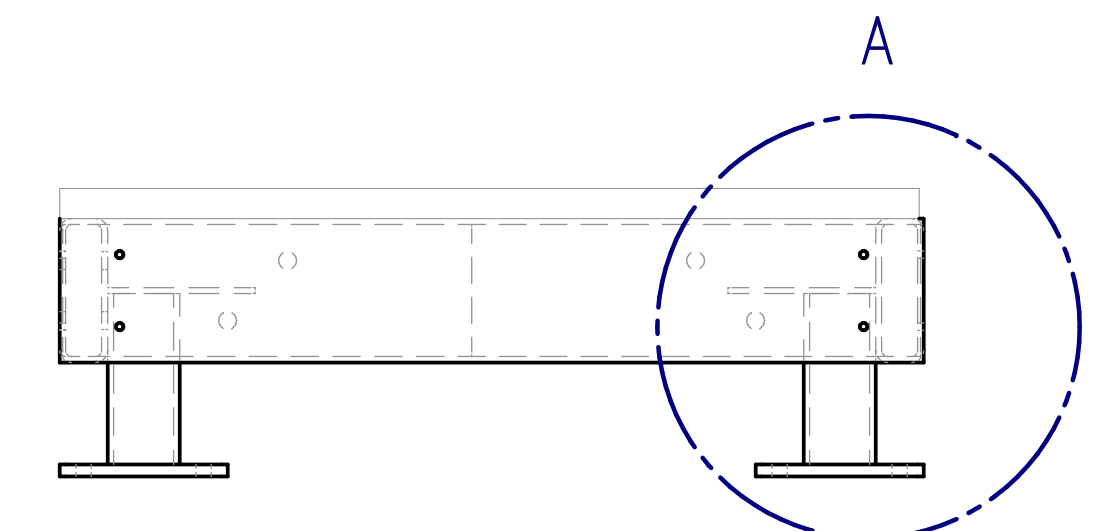
PLATFORM - PLAN VIEW



PLATFORM - LEFT VIEW



PLATFORM - FRONT VIEW



PLATFORM - RIGHT VIEW

3' X 4.5' RS LANDING PARTS LIST			
Item Number	Quantity	File Name	Ref.
4	1	217250 HANDRAIL D	SEE SHEET M-37
9	2	217250 REMV. PLATFORM SUPP. LEG	SEE SHEET M-30
10	1	217250 HANDRAIL F	SEE SHEET M-37
11	1	217250 HANDRAIL G	SEE SHEET M-37
12	1	3' X 4.5' RS LANDING	SEE SHEET M-32

② 3' X 4.5' RS LANDING (600 LBS)
1 EACH

AS BUILT

PDC ENERGY
PDC-1000
3' X 4.5' RS LANDING

REVISIONS

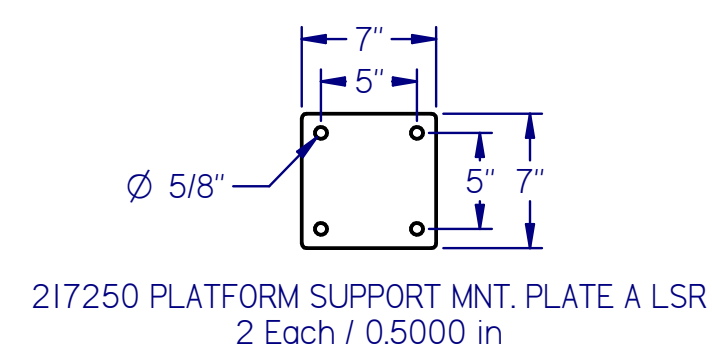
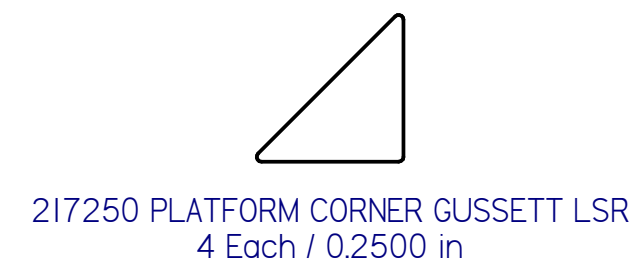
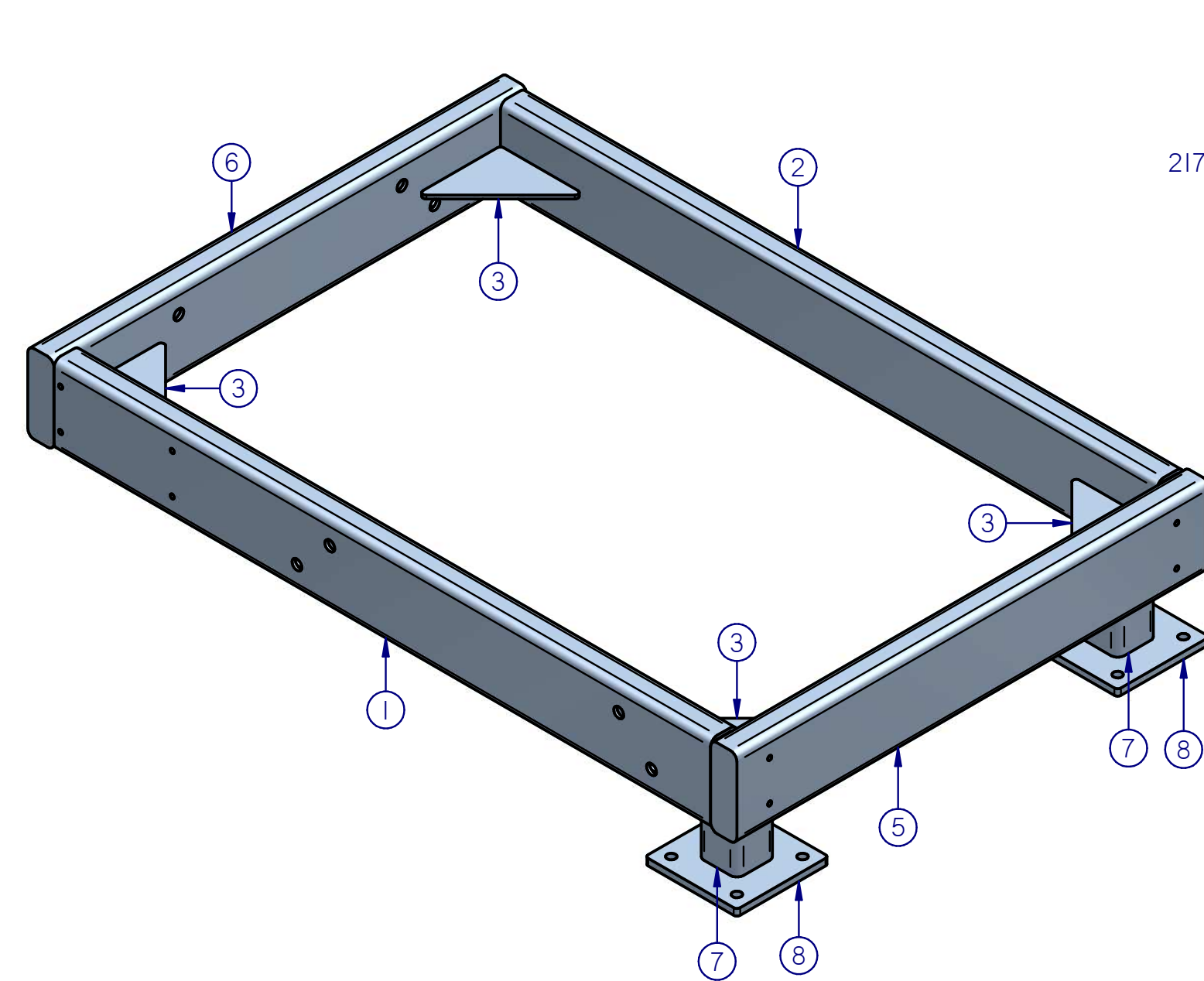
Rev.	Date	Description	By:	Approved:
FR 2.0	8/30/2018	ISSUED FOR REVIEW 2.0 - UPDATED PER P. E. L. REDLINES DATED 8/29/2018	WR	JY
FR 3.0	9/4/2018	ISSUED FOR REVIEW 3.0 - UPDATED PER P. E. L. AND ENGINEER REDLINES DATED 8/31/2018	WR	JY
IFC 1.0	9/7/2018	ISSUED FOR CONSTRUCTION	WR	JY
AS BUILT	10/25/2018	AS BUILT	WR	JY
			NA	NA
			NA	NA
			NA	NA

DRAWN BY: wrasmussen
 ENGINEERED BY: J.S.Y., M.E.
 APPROVED BY: _____
 DATE: 7/25/2018
 PROJECT NO. 217250-1-1 REV. IFC 1.0

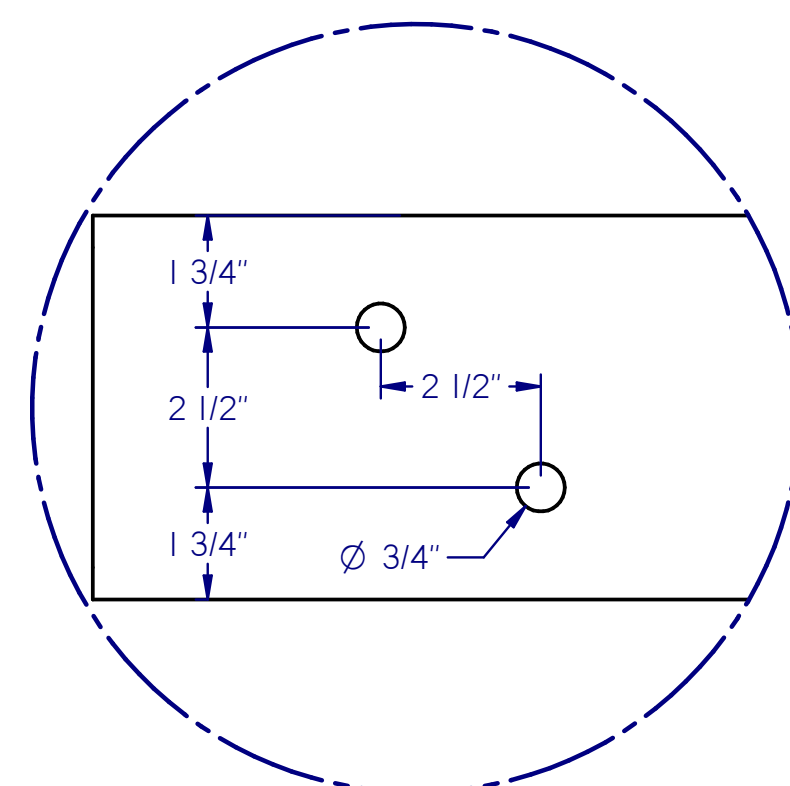
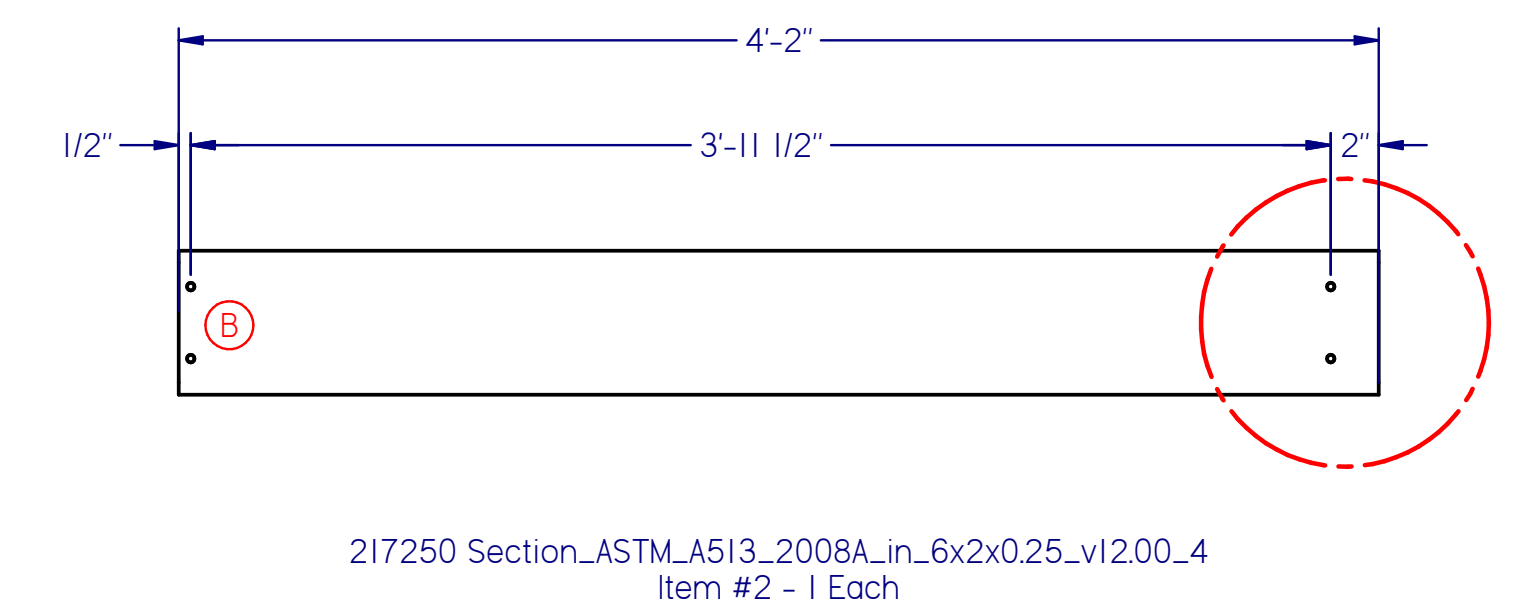
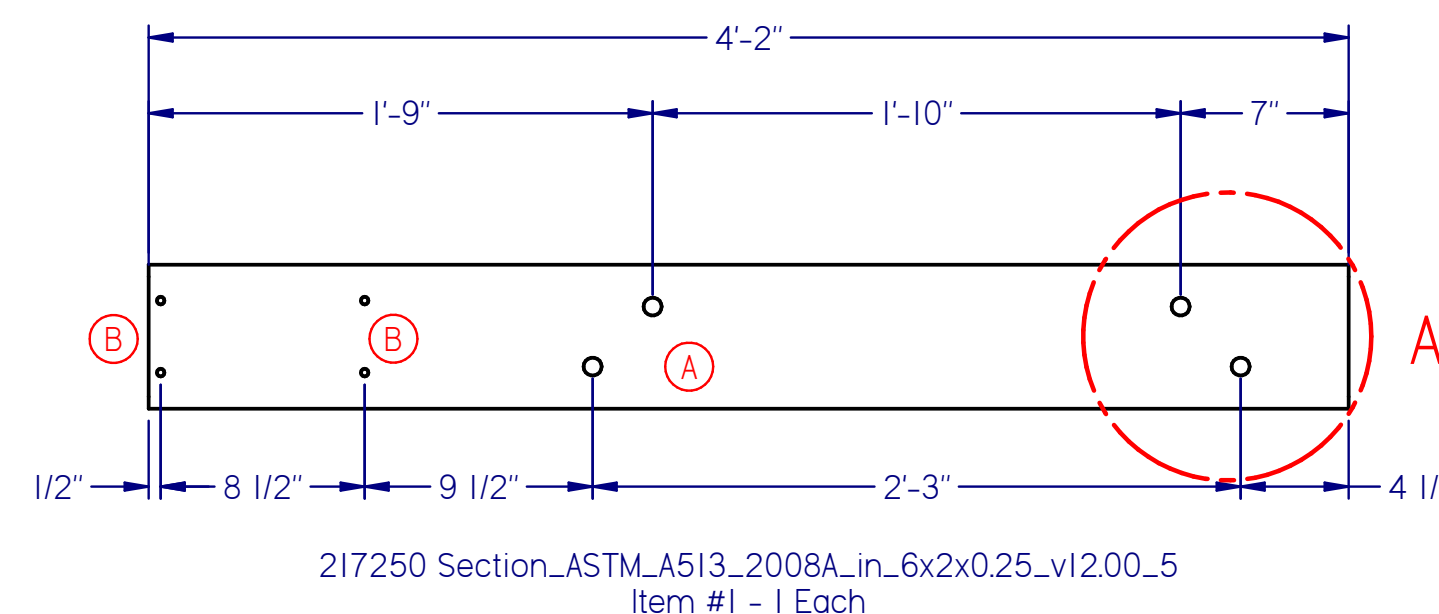
DRAWING NO. M-31
 SHT 31 OF 45



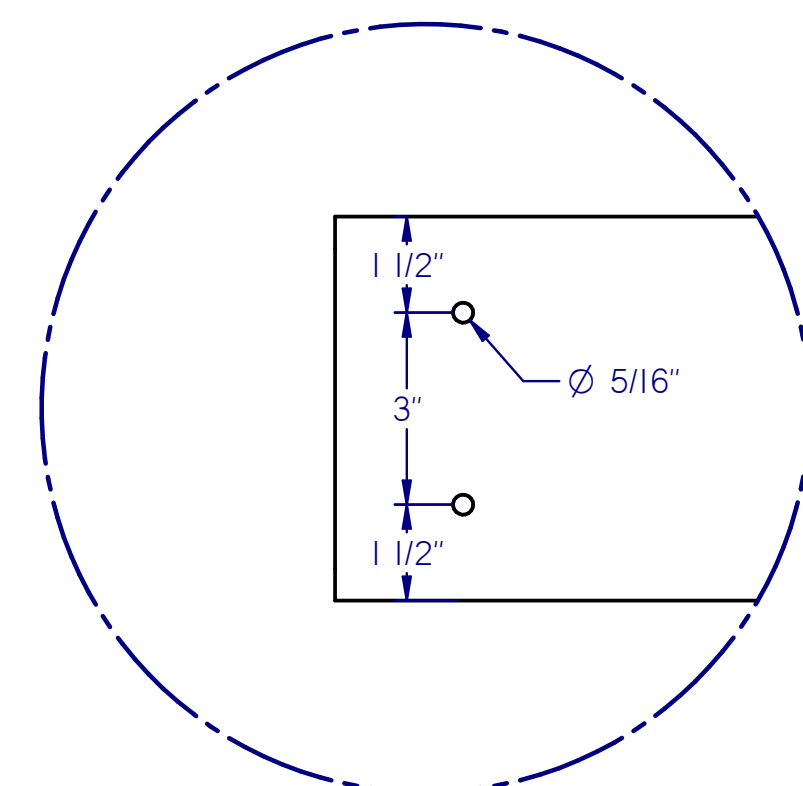
1511 SOUTH HIGHWAY 6, PRICE, UT 84501
 PHONE: (435) 637-7160 FAX: (435) 637-9601
 8221 EAST 96TH AVE, UNIT A, HENDERSON, CO 80640
 PHONE: (720) 409-1000
 100 VALLEY DRIVE, SOUTHPOINT, OH 45680
 PHONE: (740) 414-4770 FAX: (606) 644-0432
 400 SWAN AVENUE, CENTRALIA, IL 62801
 PHONE: (618) 214-1063 FAX: (606) 644-0442



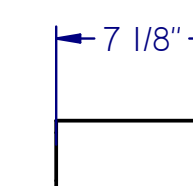
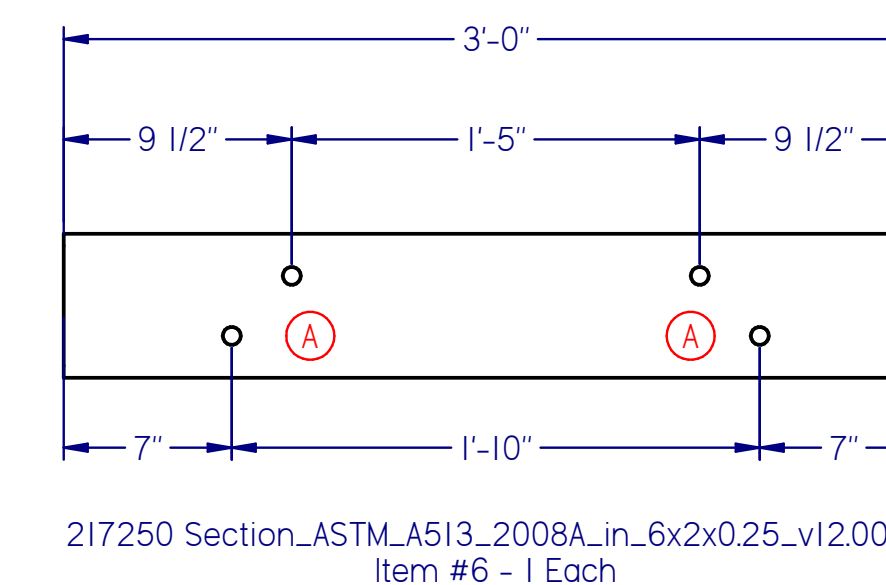
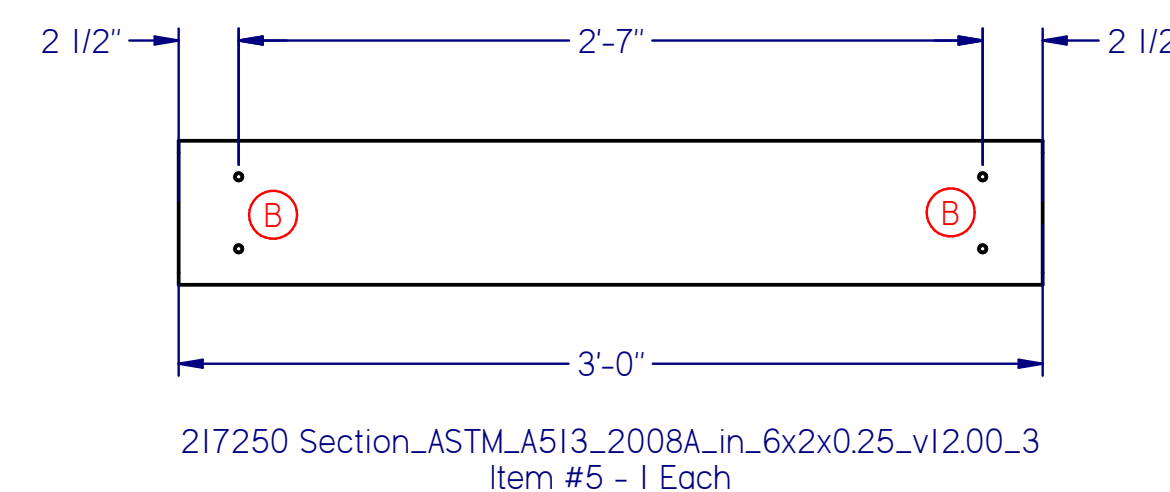
3' X 4.5' RS LANDING CUT LIST		
Item Number	Quantity	File Name
1	1	217250 Section_ASTM_A513_2008A_in_6x2x0.25_v12.00_5
2	1	217250 Section_ASTM_A513_2008A_in_6x2x0.25_v12.00_4
3	4	217250 PLATFORM CORNER GUSSET LSR
5	1	217250 Section_ASTM_A513_2008A_in_6x2x0.25_v12.00_3
6	1	217250 Section_ASTM_A513_2008A_in_6x2x0.25_v12.00_2
7	2	217250 Section_ASTM_A513_2008A_in_3x3x0.25_v12.00_1
8	2	217250 PLATFORM SUPPORT MNT. PLATE A LSR



DETAIL A
THRU HOLE FOR
5/8"-11 HEX BOLT



DETAIL B
TAP FOR 3/8"-16
HEX BOLT



217250 Section_ASTM_A513_2008A_in_3x3x0.25_v12.00_1
Item #7 - 2 Each



1511 SOUTH HIGHWAY 6, PRICE, UT 84501
PHONE: (435) 637-7160 FAX: (435) 637-9601

8221 EAST 96TH AVE, UNIT A, HENDERSON, CO 80640
PHONE: (720) 409-1000

100 VALLEY DRIVE, SOUTHPOINT, OH 45680
PHONE: (740) 414-4770 FAX: (606) 644-0432

400 SWAN AVENUE, CENTRALIA, IL 62801
PHONE: (618) 214-1063 FAX: (606) 644-0442

AS BUILT

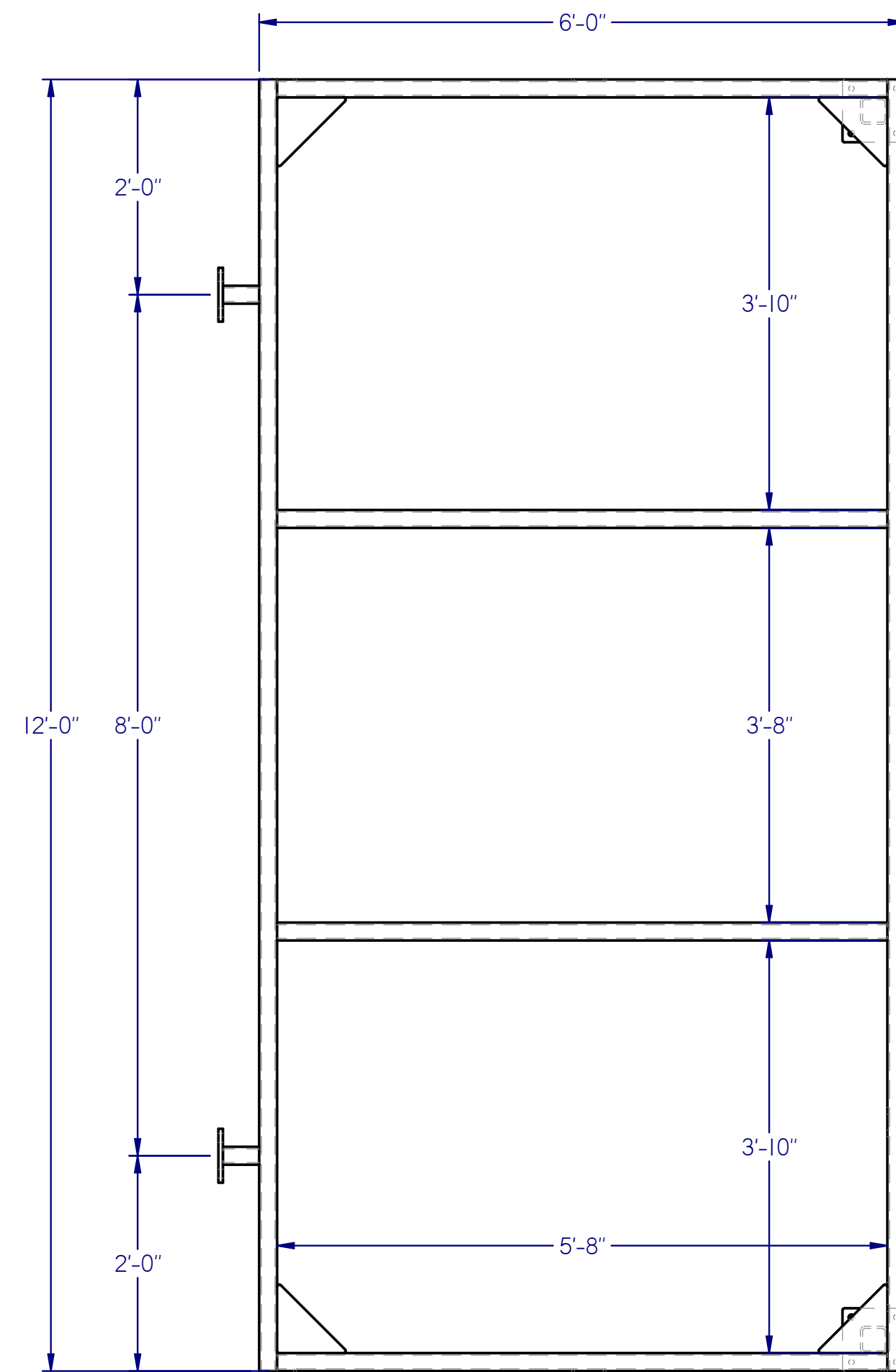
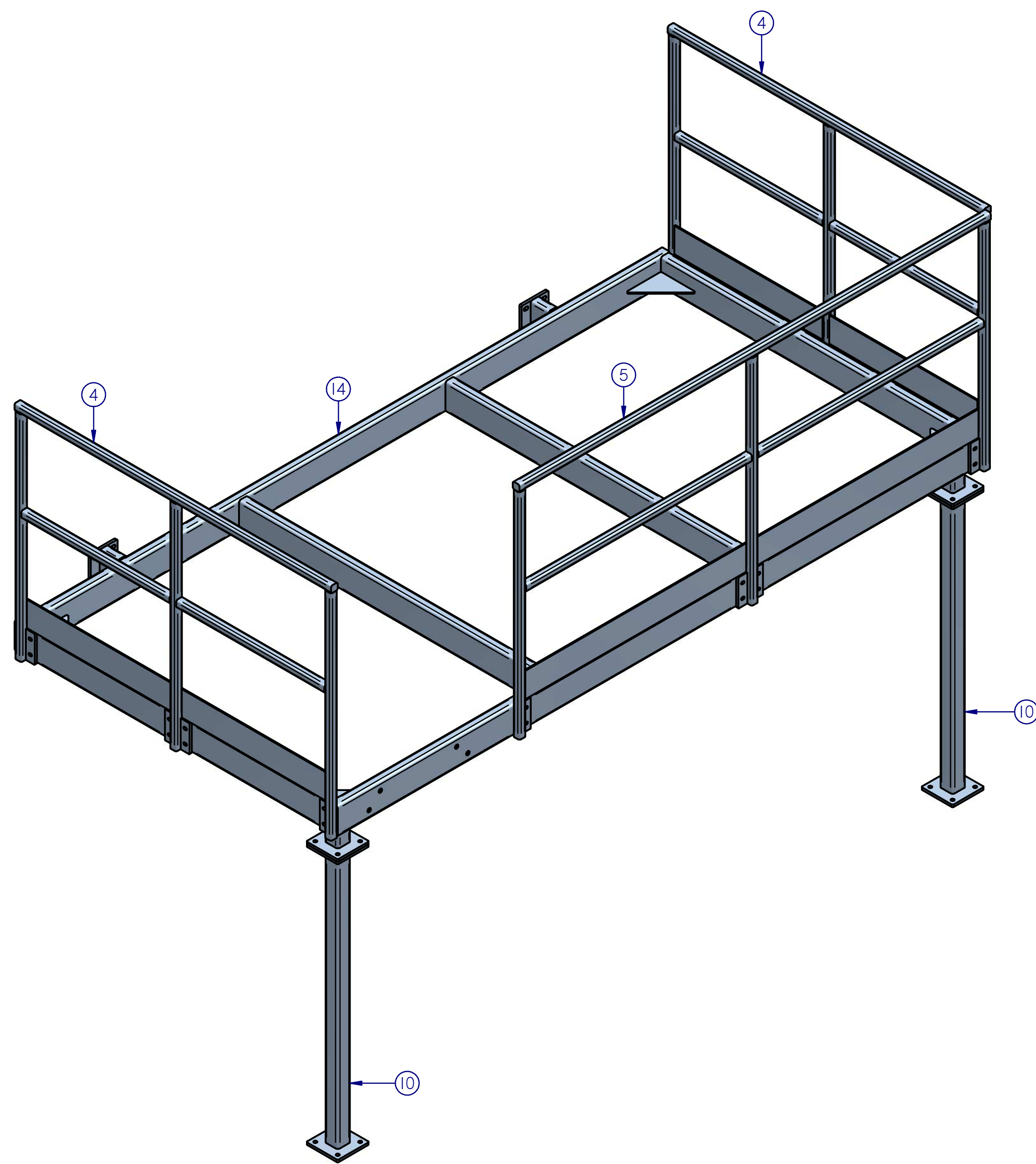
PDC ENERGY
PDC-1000
3' X 4.5' RS LANDING CUT LIST

REVISIONS

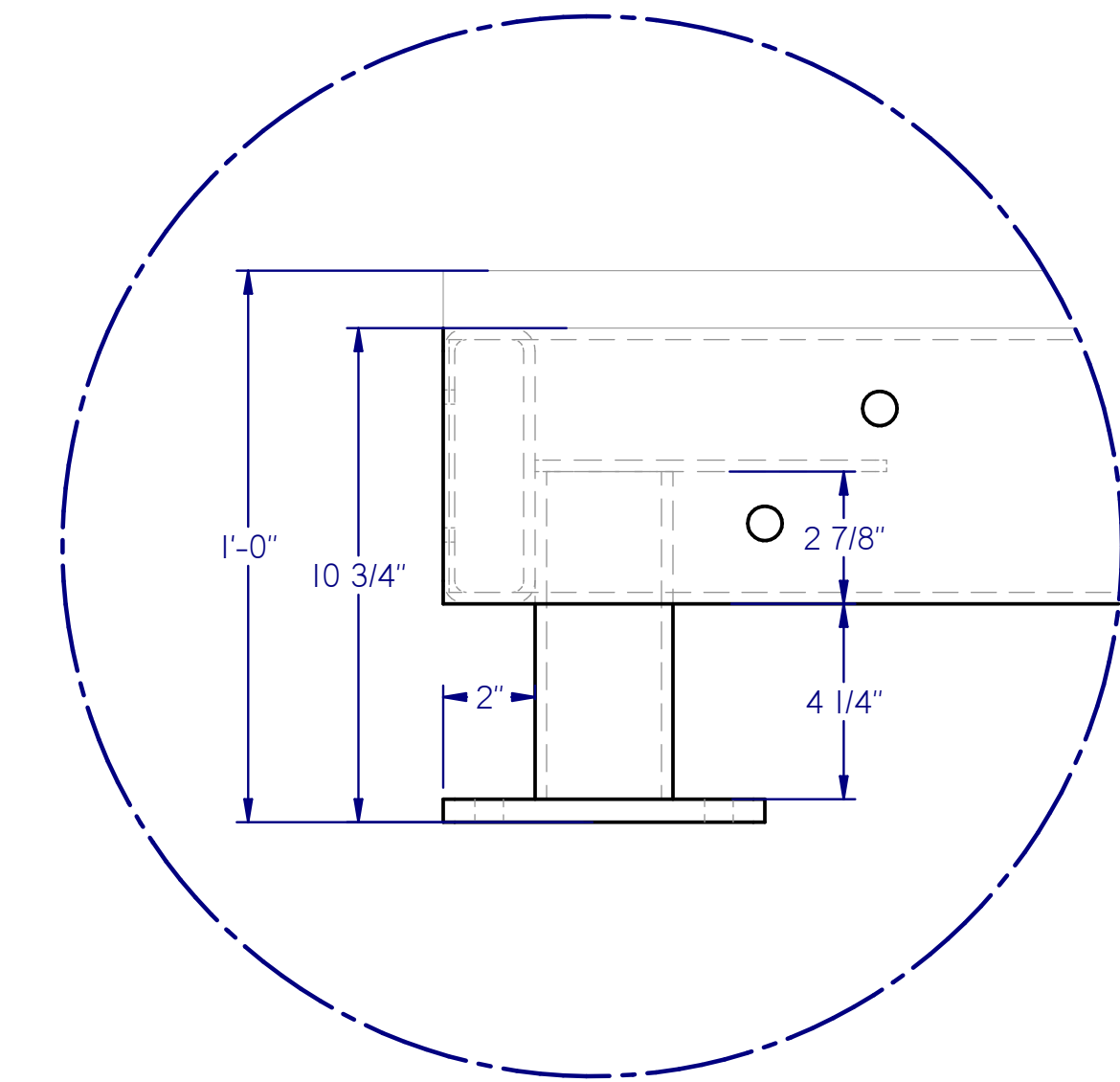
Rev:	Date:	Description:	By:	Approved:
FR 2.0	8/30/2018	ISSUED FOR REVIEW 2.0 - UPDATED PER P. E. L. REDLINES DATED 8/29/2018	WR	JY
FR 3.0	9/4/2018	ISSUED FOR REVIEW 3.0 - UPDATED PER P. E. L. AND ENGINEER REDLINES DATED 8/31/2018	WR	JY
IFC 1.0	9/7/2018	ISSUED FOR CONSTRUCTION	WR	JY
AS BUILT	10/25/2018	AS BUILT	WR	JY
			NA	NA
			NA	NA
			NA	NA
			NA	NA

DRAWN BY: wrasmussen
ENGINEERED BY: J.S.Y., M.E.
APPROVED BY: -
DATE: 7/25/2018
PROJECT NO. 217250-1-1
REV. IFC 1.0

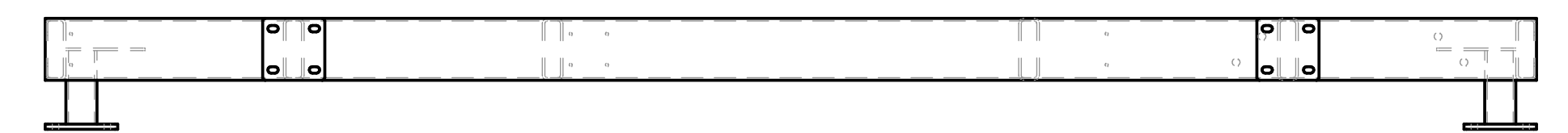
DRAWING NO. **M-32**
SHT **32** OF **45**



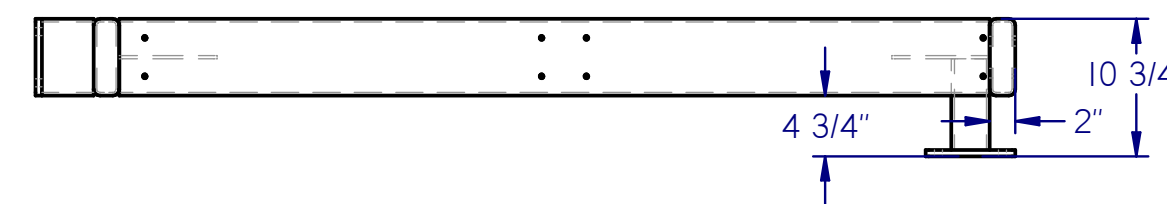
PLATFORM - TOP VIEW



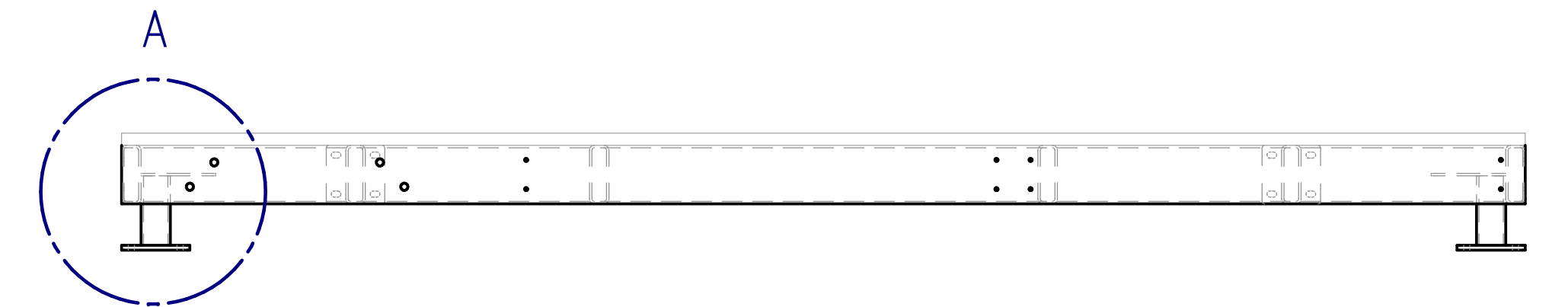
DETAIL A



PLATFORM - REAR VIEW



PLATFORM - SIDE VIEW



PLATFORM - FRONT VIEW

6' X 12' LS LANDING PARTS LIST			
Item Number	Quantity	File Name	Ref.
4	2	217250 HANDRAIL C	SEE SHEET M-37
5	1	217250 HANDRAIL A.LS	SEE SHEET M-37
10	2	217250 REMV. PLATFORM SUPP. LEG	SEE SHEET M-30
14	1	6' X 12' LS LANDING	SEE SHEET M-34

③ 6' X 12' LS LANDING (1,750 LBS)
1 EACH



1511 SOUTH HIGHWAY 6, PRICE, UT 84501
PHONE: (435) 637-7160 FAX: (435) 637-9601

8221 EAST 96TH AVE, UNIT A, HENDERSON, CO 80640
PHONE: (720) 409-1000

100 VALLEY DRIVE, SOUTHPOINT, OH 45680
PHONE: (740) 414-4770 FAX: (606) 644-0432

400 SWAN AVENUE, CENTRALIA, IL 62801
PHONE: (618) 214-1063 FAX: (606) 644-0442

AS BUILT

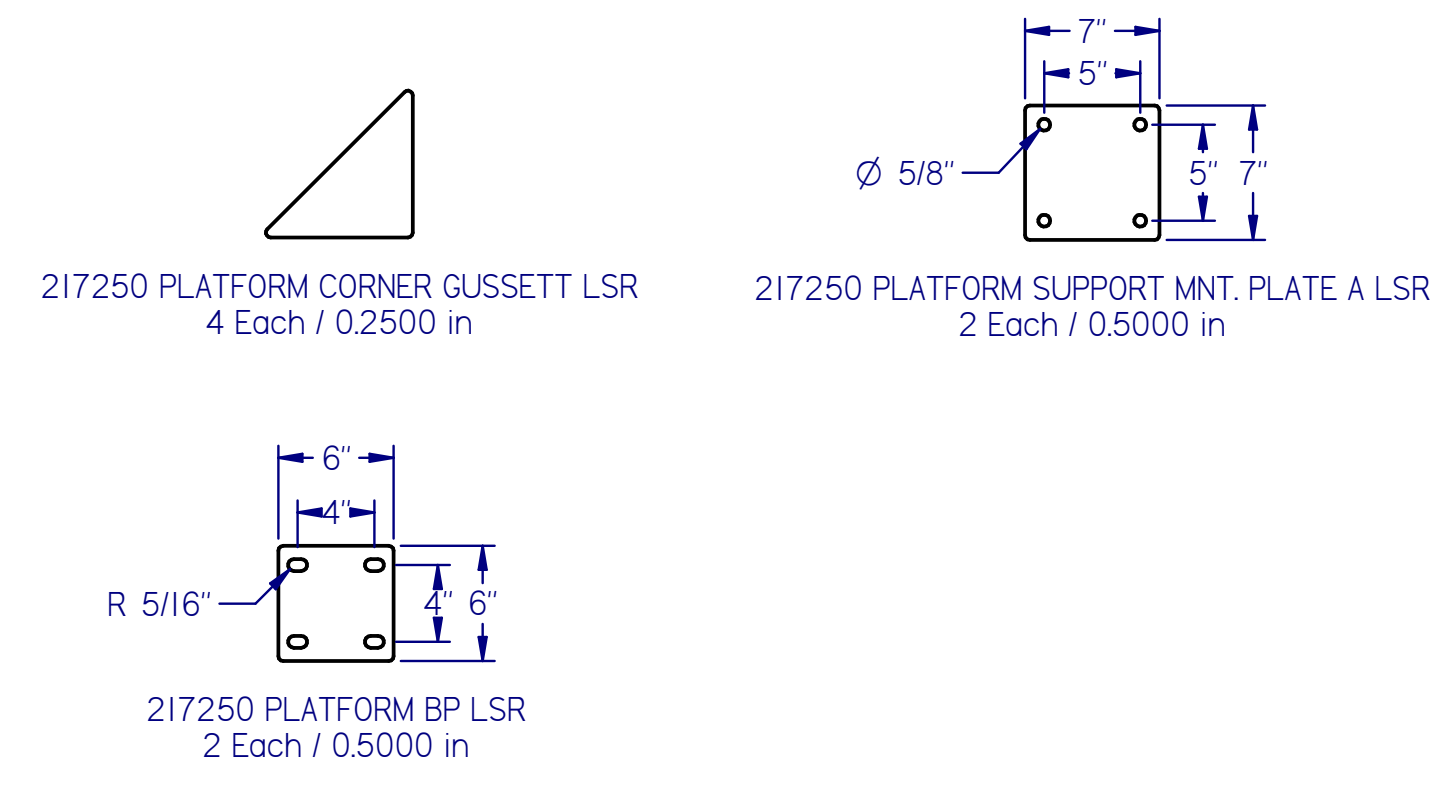
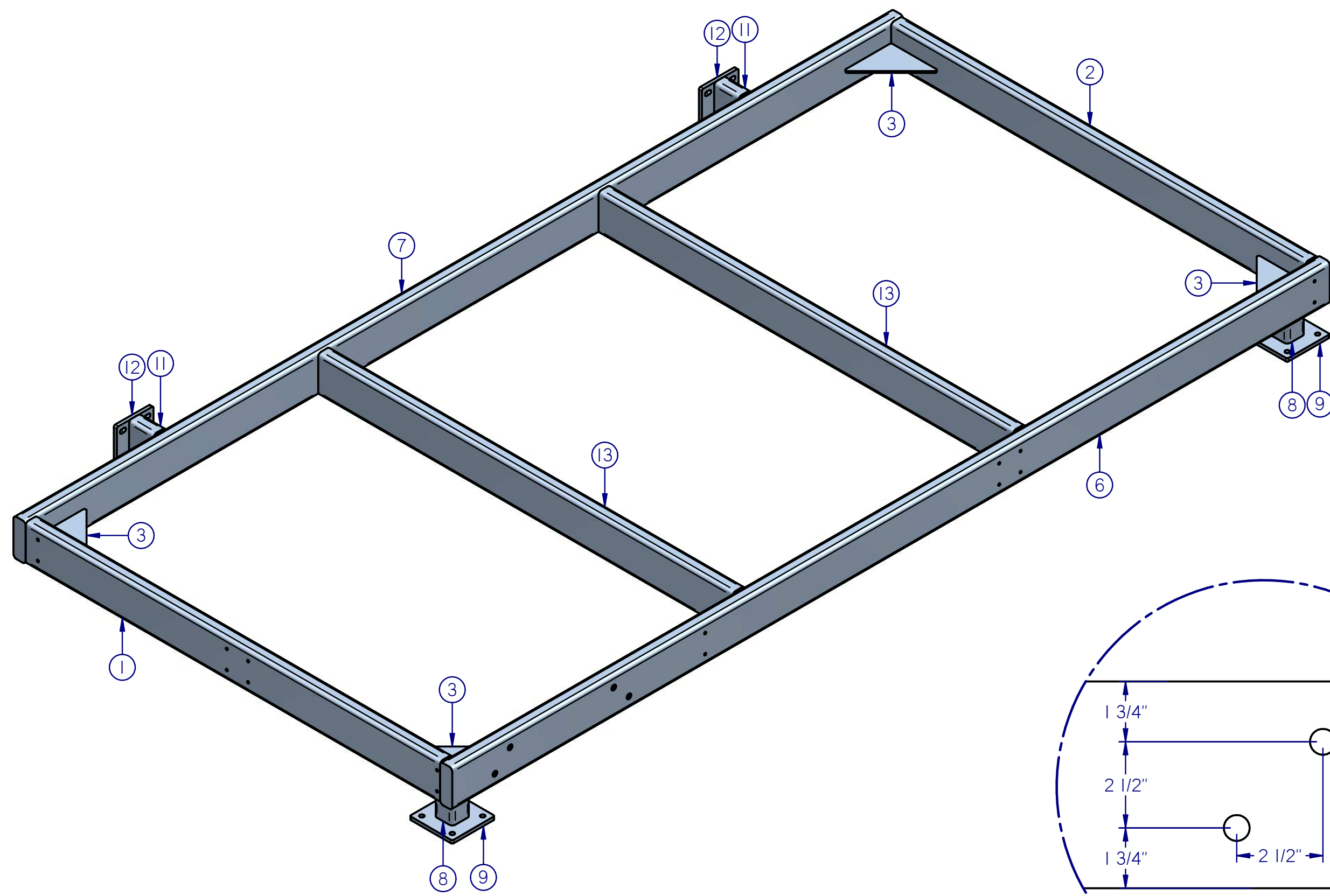
PDC ENERGY
PDC-1000
6' X 12' LS LANDING

REVISIONS

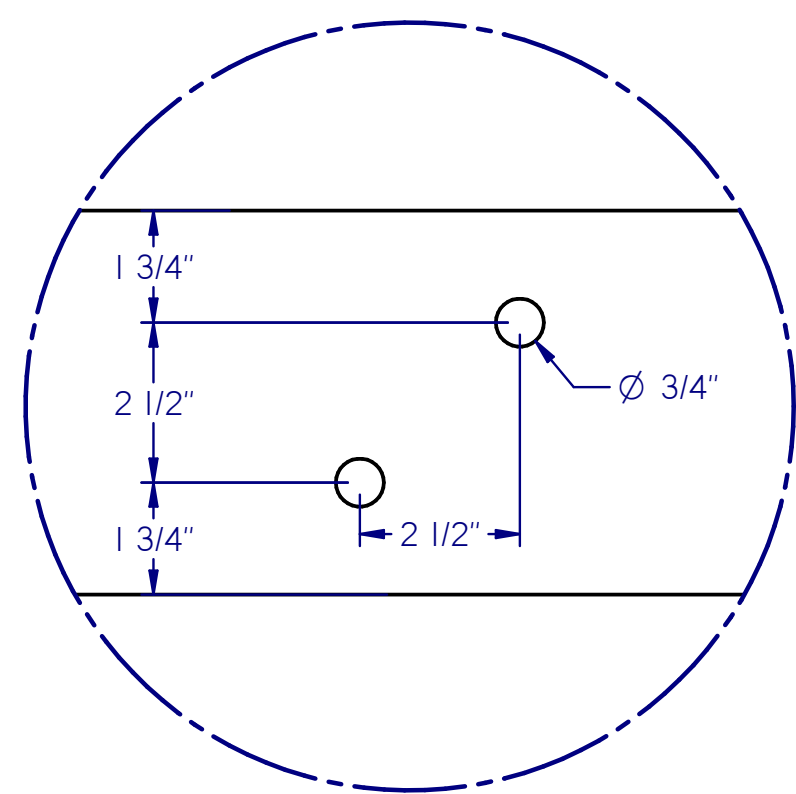
Rev.	Date	Description	By:	Approved:
FR 2.0	8/30/2018	ISSUED FOR REVIEW 2.0 - UPDATED PER P. E. L. REDLINES DATED 8/29/2018	WR	JY
FR 3.0	9/4/2018	ISSUED FOR REVIEW 3.0 - UPDATED PER P. E. L. AND ENGINEER REDLINES DATED 8/31/2018	WR	JY
IFC 1.0	9/7/2018	ISSUED FOR CONSTRUCTION	WR	JY
AS BUILT	10/25/2018	AS BUILT	WR	JY
			NA	NA
			NA	NA
			NA	NA

DRAWN BY: wrasmussen
ENGINEERED BY: J.S.Y., M.E.
APPROVED BY: -
DATE: 7/25/2018
PROJECT NO. 217250-1-1
REV. IFC 1.0

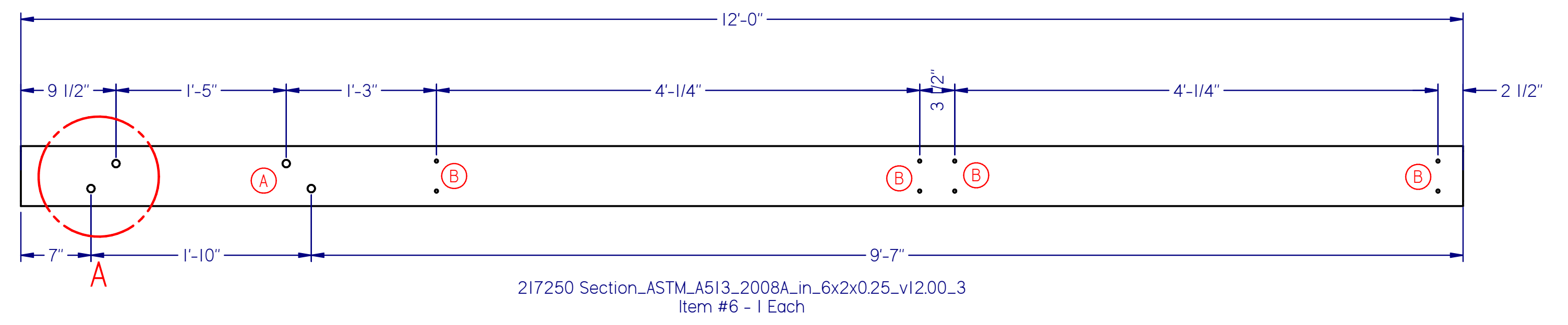
DRAWING NO. **M-33**
SHT **33** OF **45**



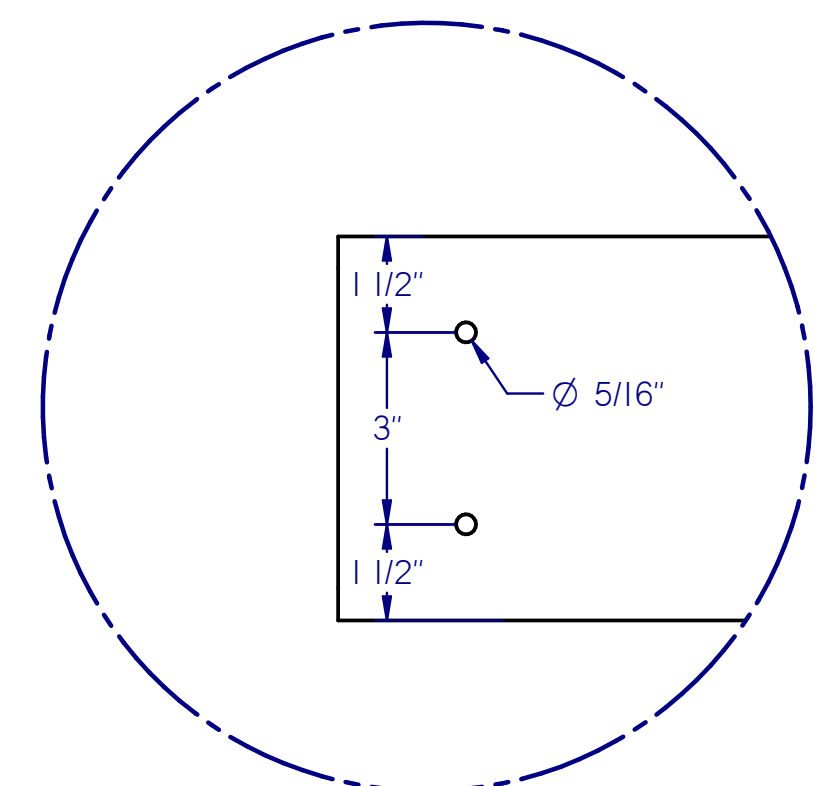
6' X 12' LS LANDING CUT LIST		
Item Number	Quantity	File Name
1	1	217250 Section_ASTM_A513_2008A_in_6x2x0.25_v12.00_5
2	1	217250 Section_ASTM_A513_2008A_in_6x2x0.25_v12.00_4
3	4	217250 PLATFORM CORNER GUSSET LSR
6	1	217250 Section_ASTM_A513_2008A_in_6x2x0.25_v12.00_3
7	1	217250 Section_ASTM_A513_2008A_in_6x2x0.25_v12.00_2
8	2	217250 Section_ASTM_A513_2008A_in_3x3x0.25_v12.00_1
9	2	217250 PLATFORM SUPPORT MNT. PLATE A LSR
11	2	217250 Section_ASTM_A513_2008A_in_6x2x0.25_v12.00_1
12	2	217250 PLATFORM BP LSR
13	2	217250 Section_ASTM_A500_2009_in_6.00x2.00x0.250_v12.00



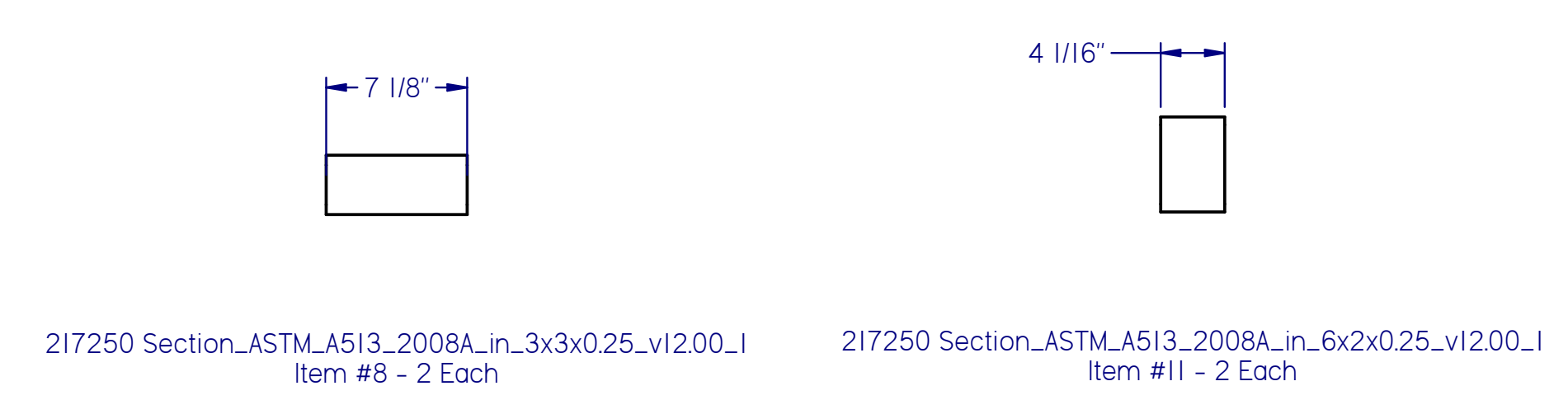
DETAIL A
THRU HOLE FOR
5/8"-11 HEX BOLT



217250 Section_ASTM_A513_2008A_in_6x2x0.25_v12.00_3
Item #6 - 1 Each

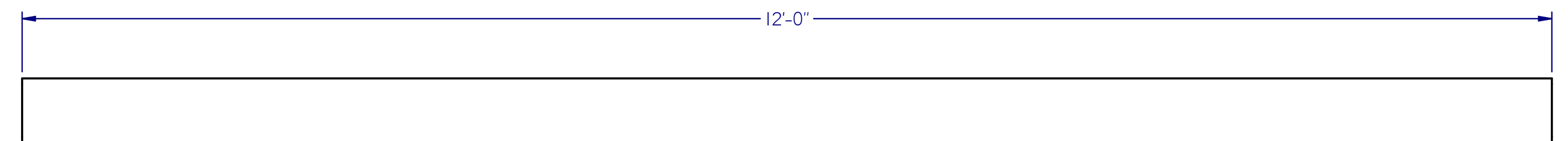


DETAIL B
TAP FOR 3/8"-16
HEX BOLT

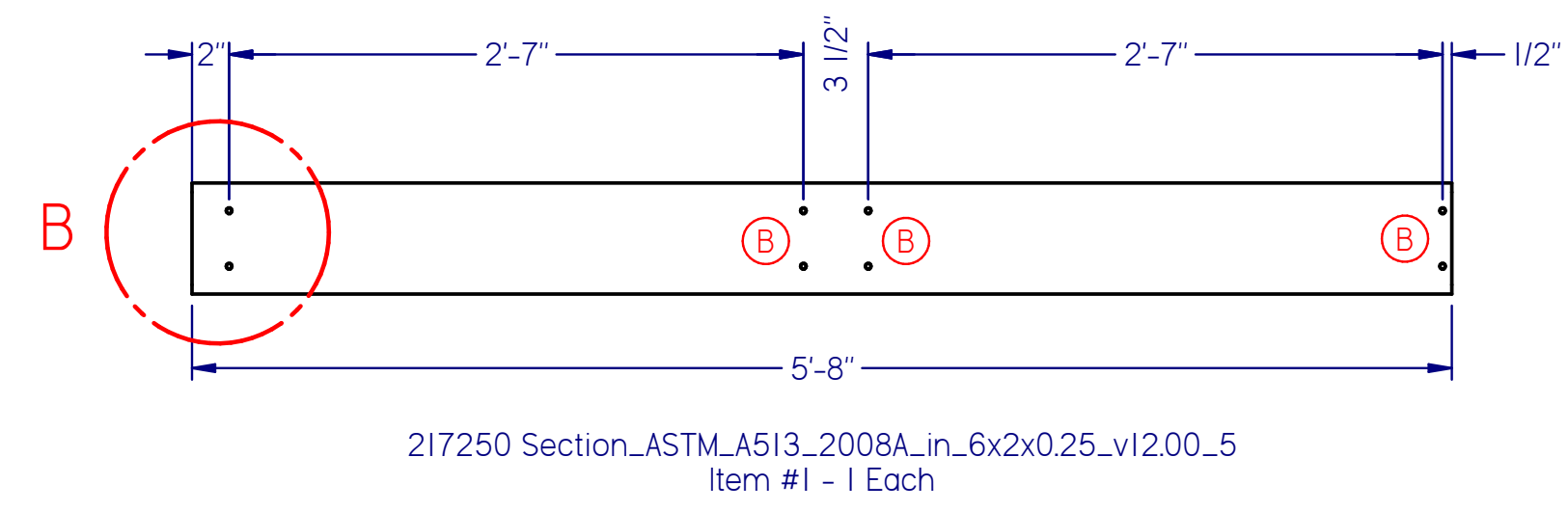


217250 Section_ASTM_A513_2008A_in_3x3x0.25_v12.00_1
Item #8 - 2 Each

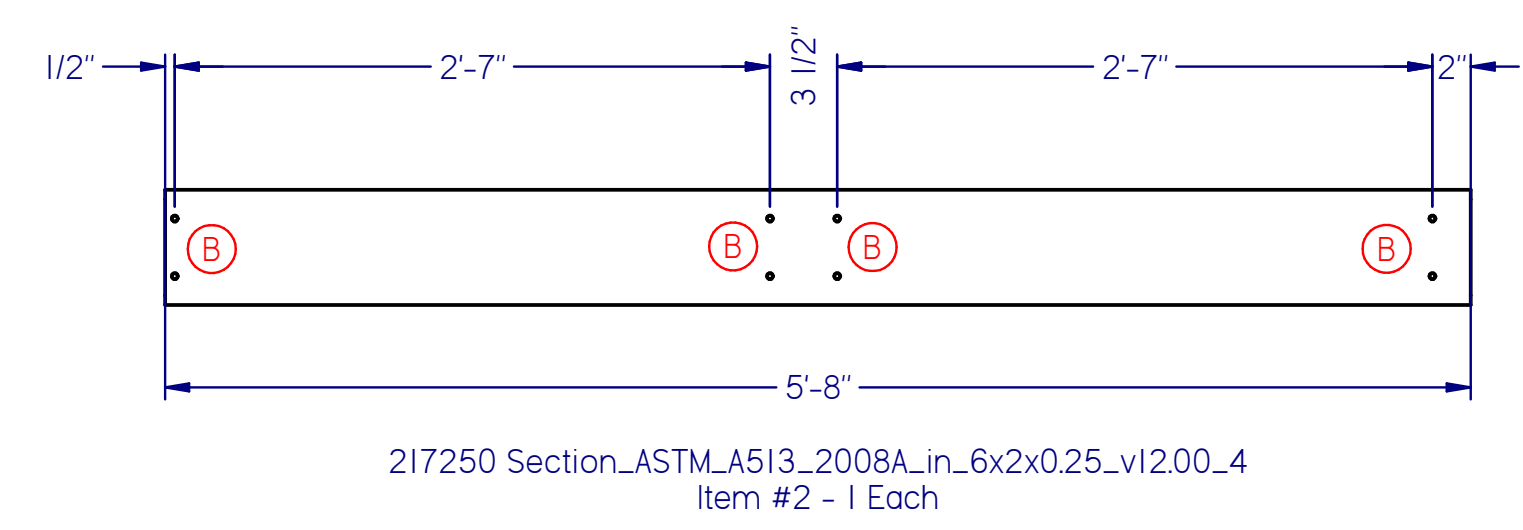
217250 Section_ASTM_A513_2008A_in_6x2x0.25_v12.00_1
Item #11 - 2 Each



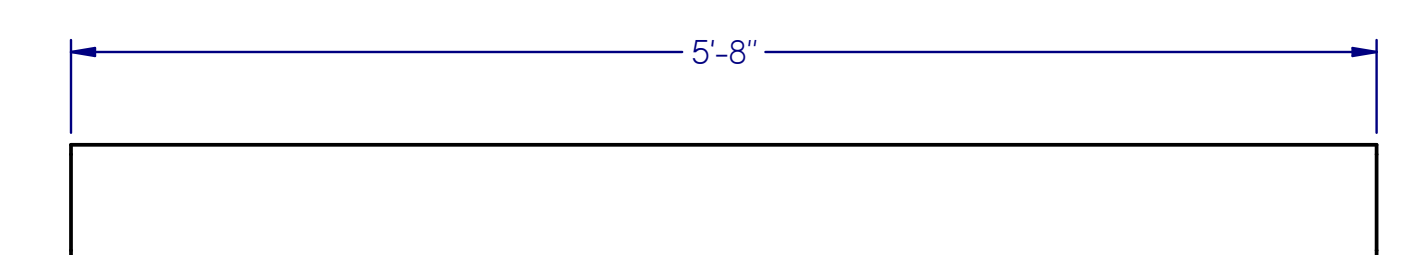
217250 Section_ASTM_A513_2008A_in_6x2x0.25_v12.00_2
Item #7 - 1 Each



217250 Section_ASTM_A513_2008A_in_6x2x0.25_v12.00_5
Item #1 - 1 Each



217250 Section_ASTM_A513_2008A_in_6x2x0.25_v12.00_4
Item #2 - 1 Each



217250 Section_ASTM_A500_2009_in_6.00x2.00x0.250_v12.00
Item #13 - 2 Each



1511 SOUTH HIGHWAY 6, PRICE, UT 84501
PHONE: (435) 637-7160 FAX: (435) 637-9601

8221 EAST 96TH AVE, UNIT A, HENDERSON, CO 80640
PHONE: (720) 409-1000

100 VALLEY DRIVE, SOUTHPOINT, OH 45680
PHONE: (740) 414-4770 FAX: (606) 644-0432

400 SWAN AVENUE, CENTRALIA, IL 62801
PHONE: (618) 214-1063 FAX: (606) 644-0442

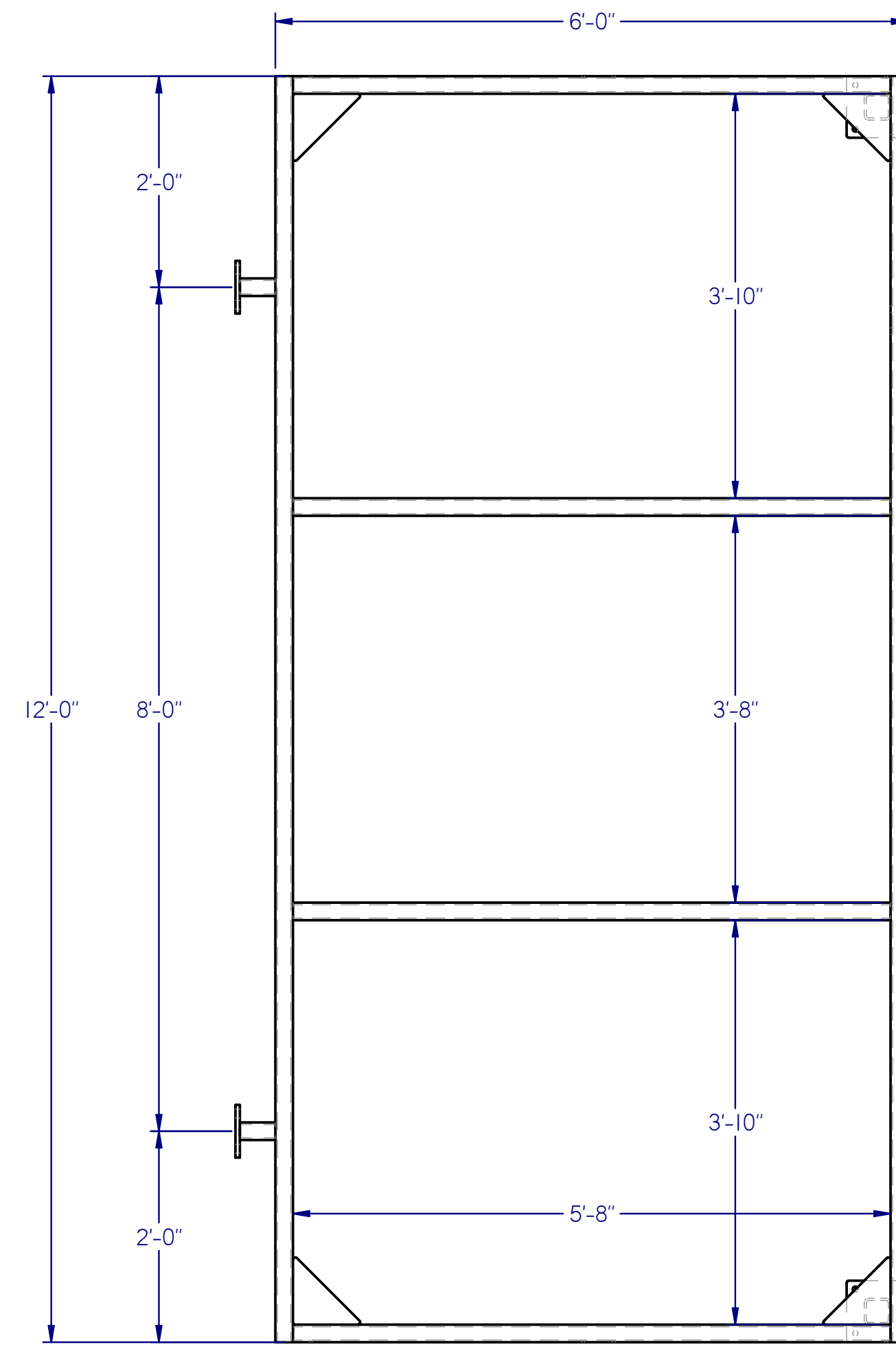
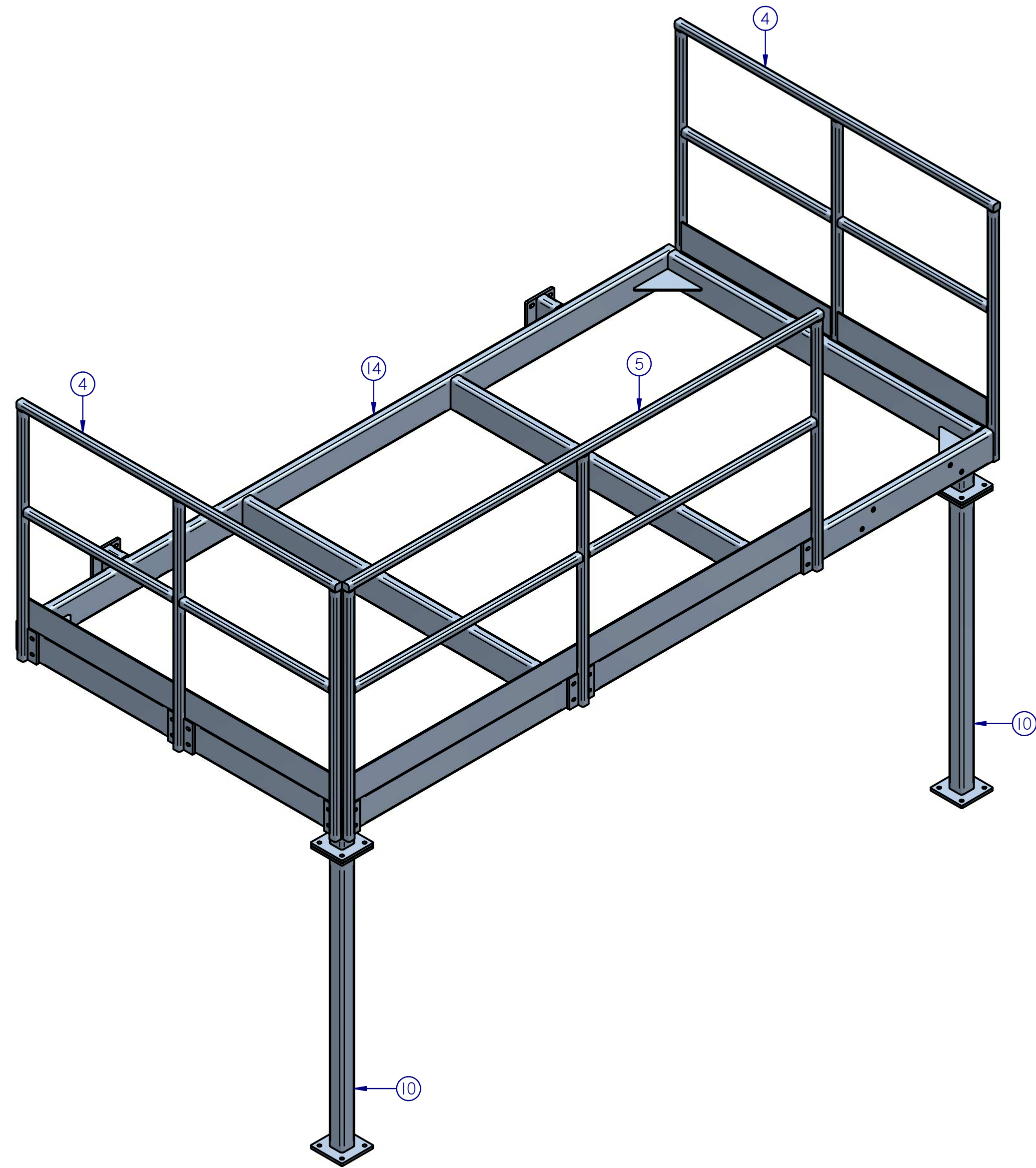
AS BUILT

PDC ENERGY
PDC-1000
6' X 12' LS LANDING CUT LIST

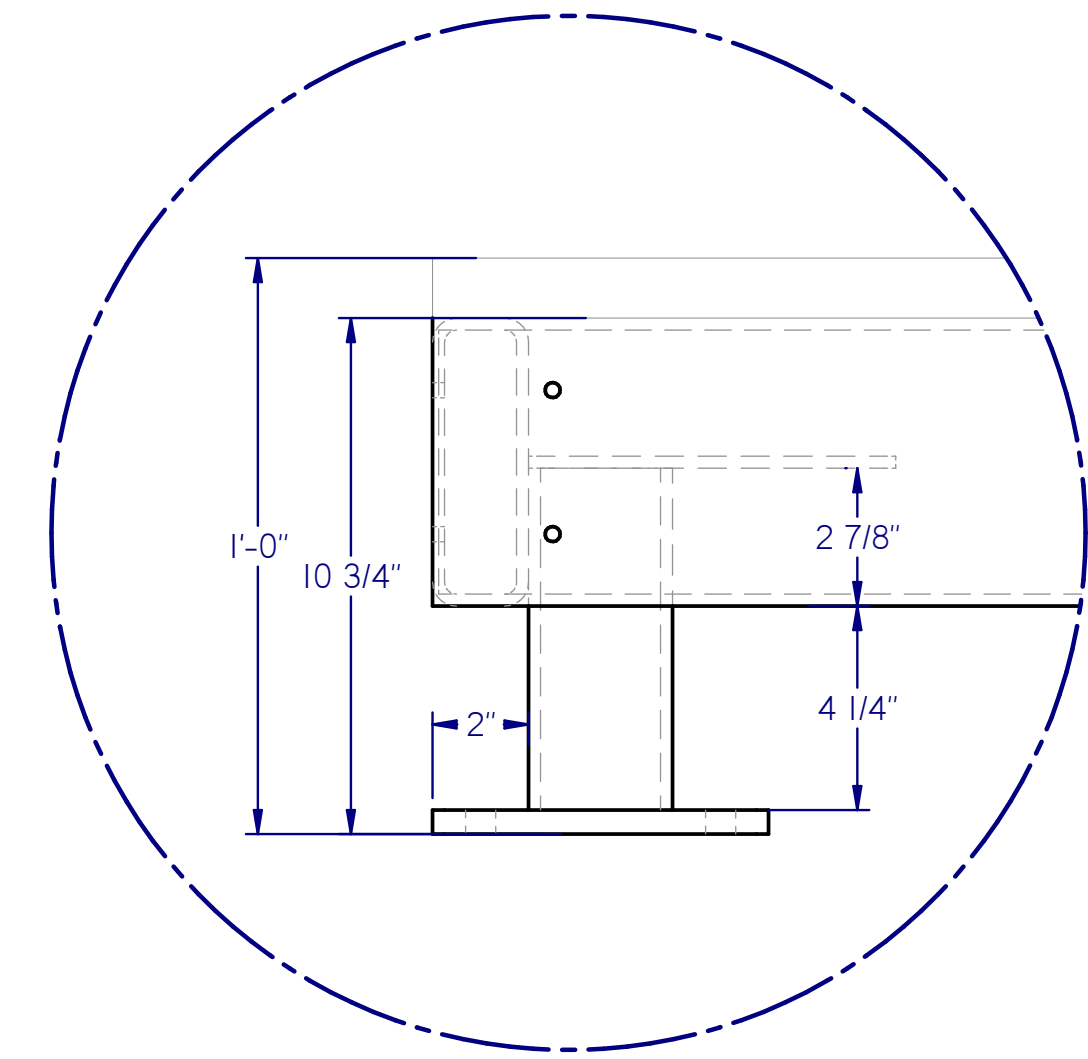
REVISIONS				
Rev:	Date:	Description:	By:	Approved:
FR 2.0	8/30/2018	ISSUED FOR REVIEW 2.0 - UPDATED PER P. E. L. REDLINES DATED 8/29/2018	WR	JY
FR 3.0	9/4/2018	ISSUED FOR REVIEW 3.0 - UPDATED PER P. E. L. AND ENGINEER REDLINES DATED 8/31/2018	WR	JY
IFC 1.0	9/7/2018	ISSUED FOR CONSTRUCTION	WR	JY
AS BUILT	10/25/2018	AS BUILT	WR	JY
			NA	NA
			NA	NA
			NA	NA

DRAWN BY: wrasmussen
ENGINEERED BY: J.S.Y., M.E.
APPROVED BY: -
DATE: 7/25/2018
PROJECT NO. 217250-1-1
REV. IFC 1.0

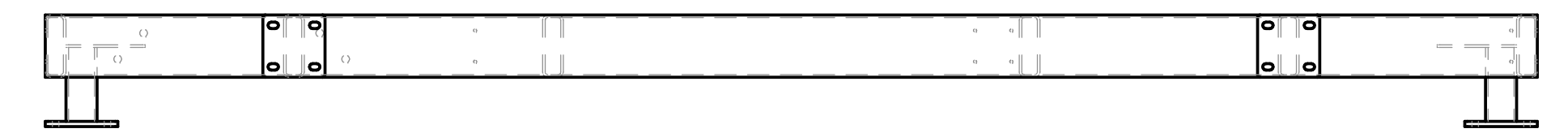
DRAWING NO. **M-34**
SHT 34 OF 45



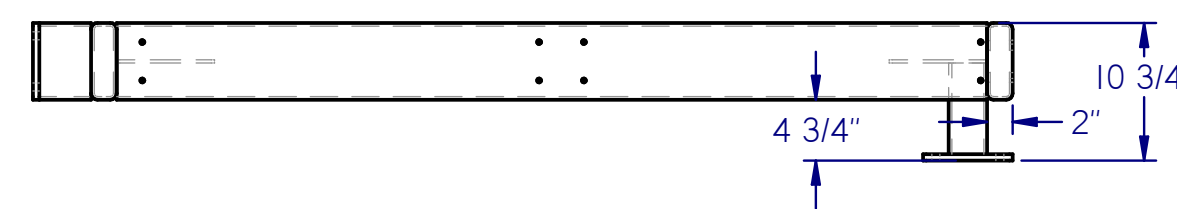
PLATFORM - TOP VIEW



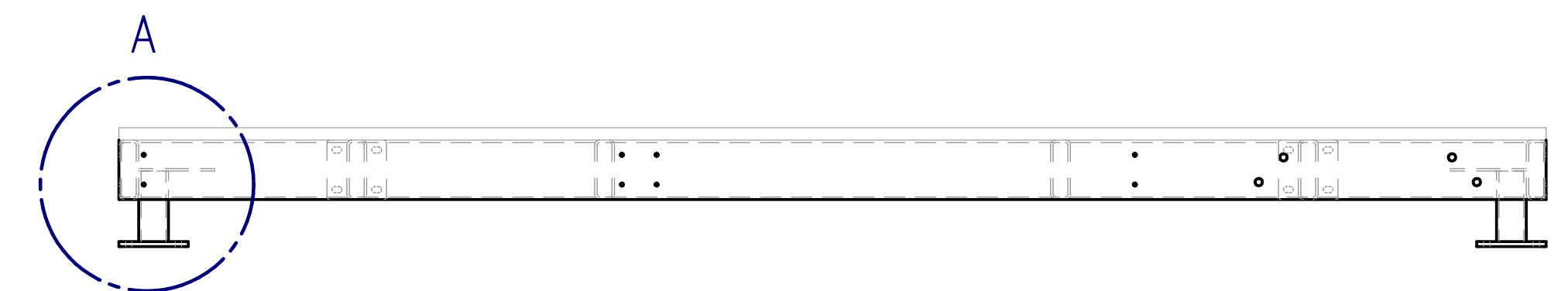
DETAIL A



PLATFORM - REAR VIEW



PLATFORM - SIDE VIEW



PLATFORM - FRONT VIEW

6' X 12' RS LANDING PARTS LIST			
Item Number	Quantity	File Name	Ref.
4	2	217250 HANDRAIL C	SEE SHEET M-37
5	1	217250 HANDRAIL A_RS	SEE SHEET M-37
10	2	217250 REMV. PLATFORM SUPP. LEG	SEE SHEET M-30
14	1	6' X 12' RS LANDING	SEE SHEET M-36

④ 6' X 12' RS LANDING (1,750 LBS)
1 EACH



1511 SOUTH HIGHWAY 6, PRICE, UT 84501
PHONE: (435) 637-7160 FAX: (435) 637-9601
8221 EAST 96TH AVE, UNIT A, HENDERSON, CO 80640
PHONE: (720) 409-1000
100 VALLEY DRIVE, SOUTHPOINT, OH 45680
PHONE: (740) 414-4770 FAX: (606) 644-0432
400 SWAN AVENUE, CENTRALIA, IL 62801
PHONE: (618) 214-1063 FAX: (606) 644-0442

AS BUILT

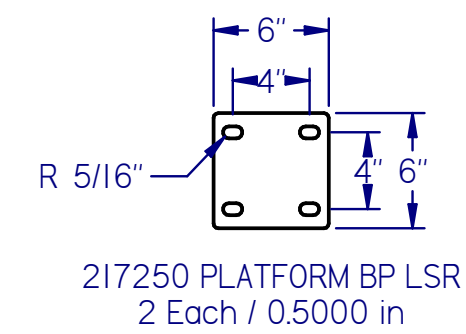
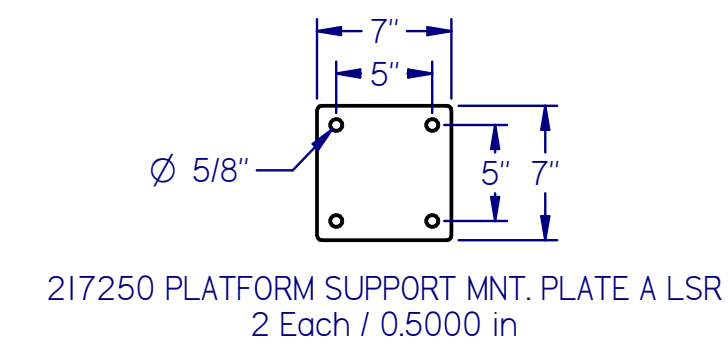
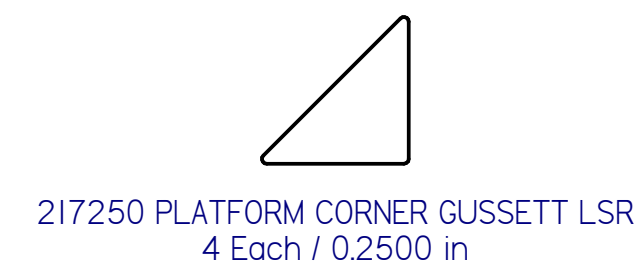
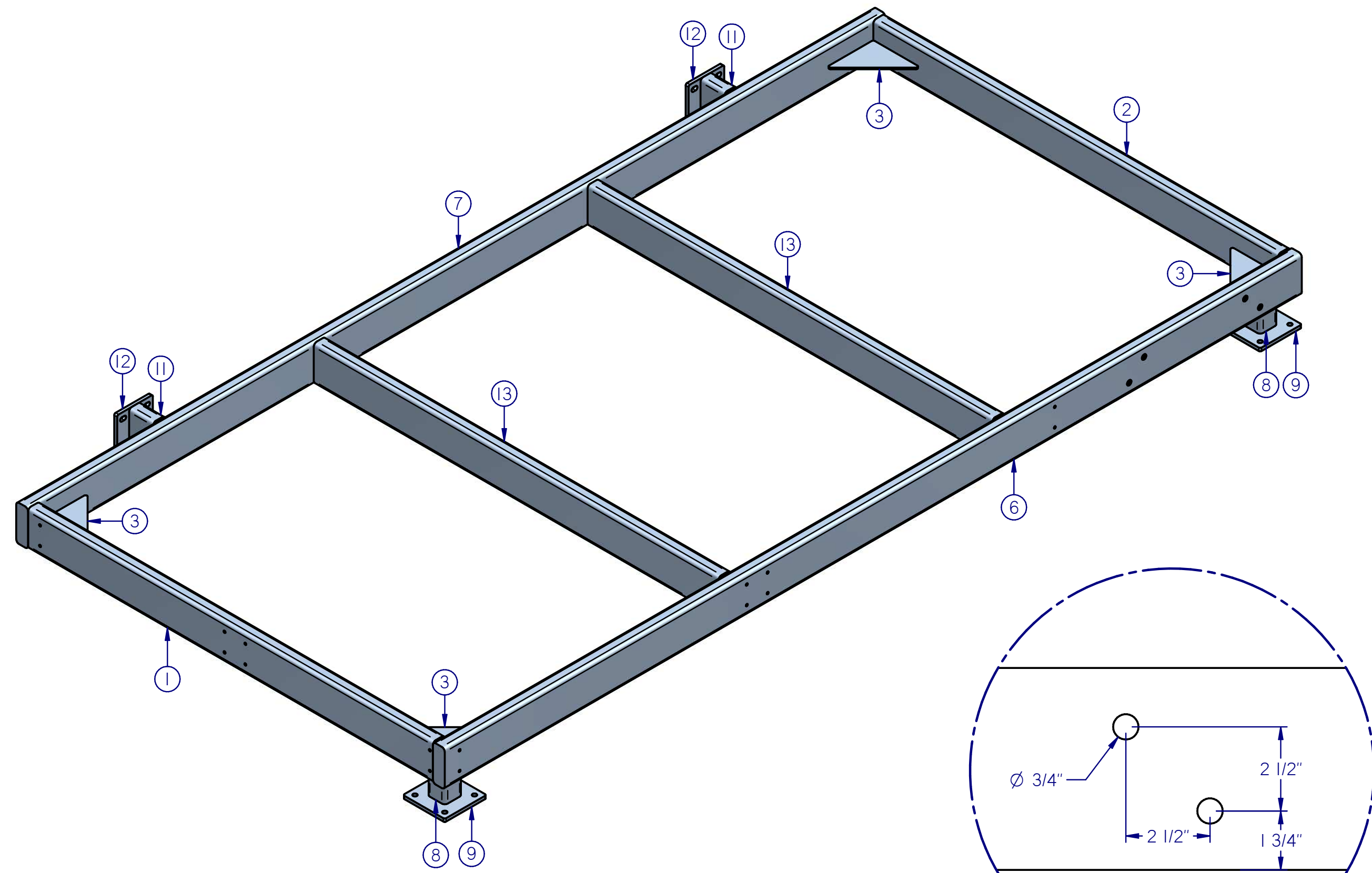
PDC ENERGY
PDC-1000
6' X 12' RS LANDING

REVISIONS

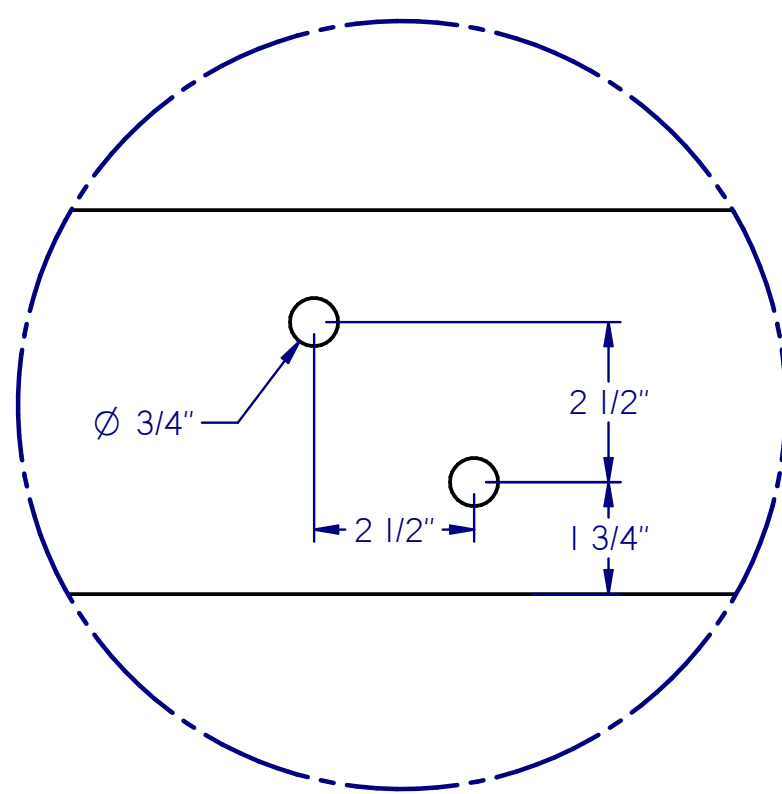
Rev:	Date:	Description:	By:	Approved:
FR 2.0	8/30/2018	ISSUED FOR REVIEW 2.0 - UPDATED PER P. E. L. REDLINES DATED 8/29/2018	WR	JY
FR 3.0	9/4/2018	ISSUED FOR REVIEW 3.0 - UPDATED PER P. E. L. AND ENGINEER REDLINES DATED 8/31/2018	WR	JY
IFC 1.0	9/7/2018	ISSUED FOR CONSTRUCTION	WR	JY
AS BUILT	10/25/2018	AS BUILT	WR	JY
			NA	NA
			NA	NA
			NA	NA

DRAWN BY: wrasmussen
ENGINEERED BY: J.S.Y., M.E.
APPROVED BY: -
DATE: 7/25/2018
PROJECT NO. 217250-1-1
REV. IFC 1.0

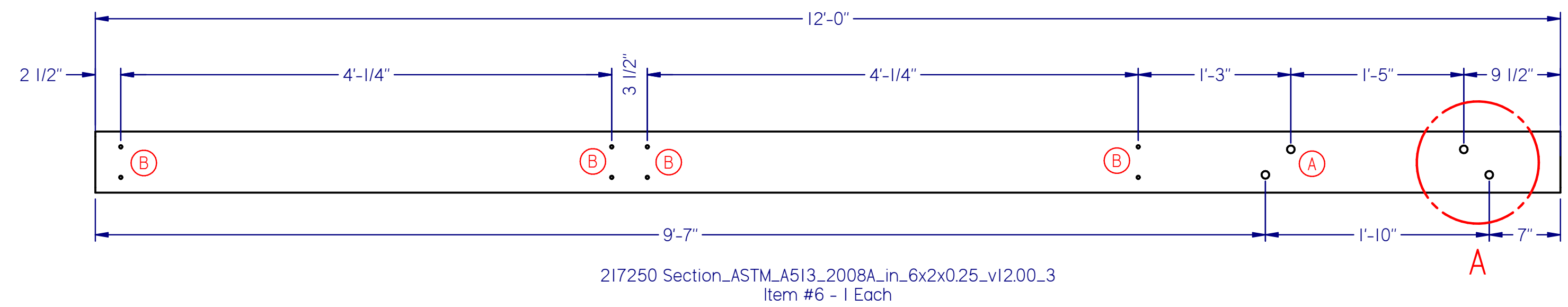
DRAWING NO. **M-35**
SHT 35 OF 45



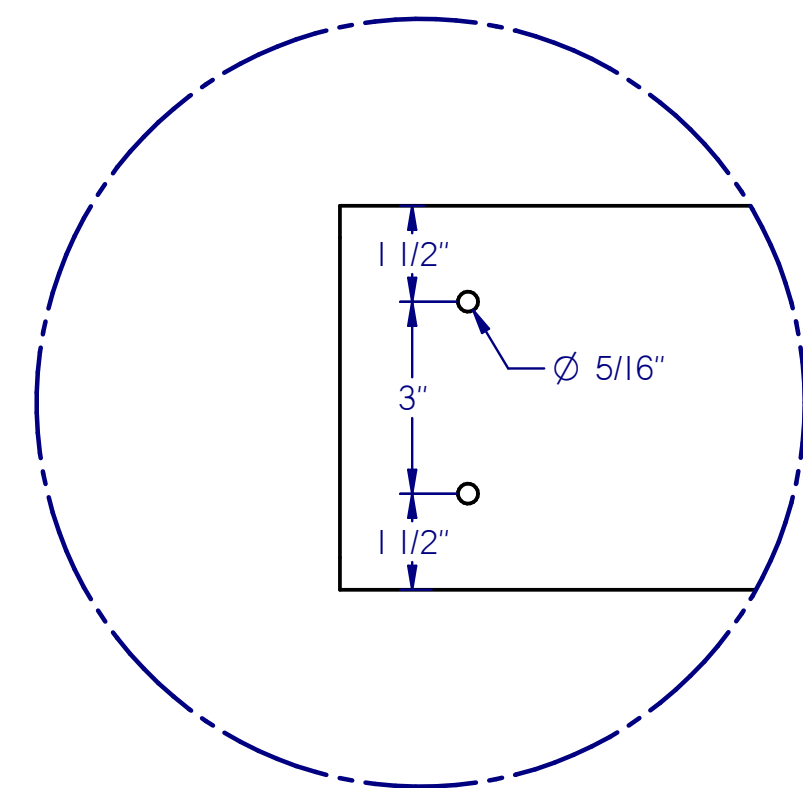
6' X 12' RS LANDING CUT LIST		
Item Number	Quantity	File Name
1	1	217250 Section_ASTM_A513_2008A_in_6x2x0.25_v12.00_5
2	1	217250 Section_ASTM_A513_2008A_in_6x2x0.25_v12.00_4
3	4	217250 PLATFORM CORNER GUSSET LSR
6	1	217250 Section_ASTM_A513_2008A_in_6x2x0.25_v12.00_3
7	1	217250 Section_ASTM_A513_2008A_in_6x2x0.25_v12.00_2
8	2	217250 Section_ASTM_A513_2008A_in_3x3x0.25_v12.00_1
9	2	217250 PLATFORM SUPPORT MNT. PLATE A LSR
11	2	217250 Section_ASTM_A513_2008A_in_6x2x0.25_v12.00_1
12	2	217250 PLATFORM BP LSR
13	2	217250 Section_ASTM_A500_2009_in_6.00x2.00x0.250_v12.00



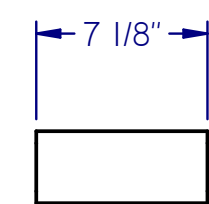
DETAIL A
THRU HOLE FOR
5/8"-11 HEX BOLT



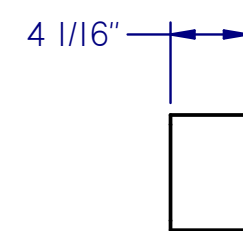
217250 Section_ASTM_A513_2008A_in_6x2x0.25_v12.00_3
Item #6 - 1 Each



DETAIL B
TAP FOR 3/8"-16
HEX BOLT

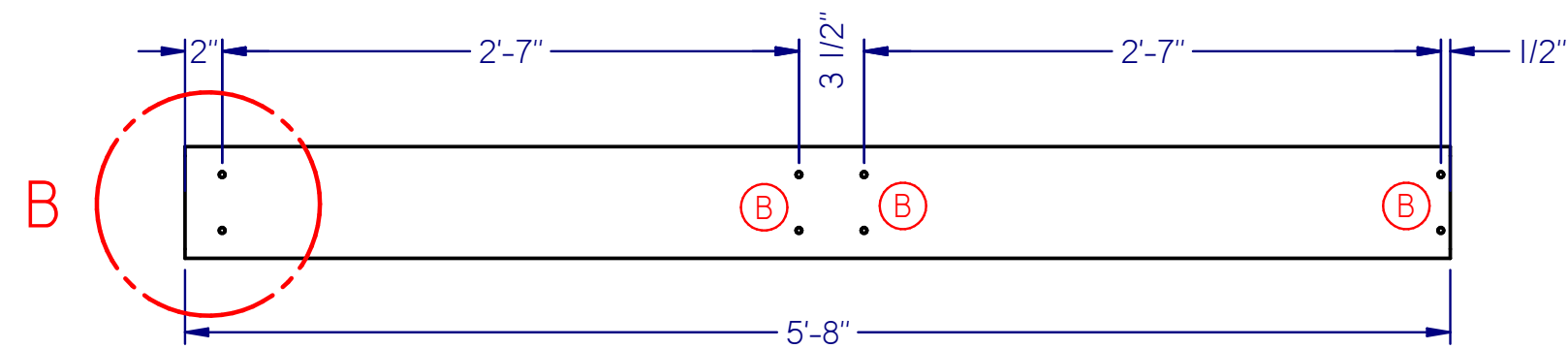


217250 Section_ASTM_A513_2008A_in_3x3x0.25_v12.00_1
Item #8 - 2 Each

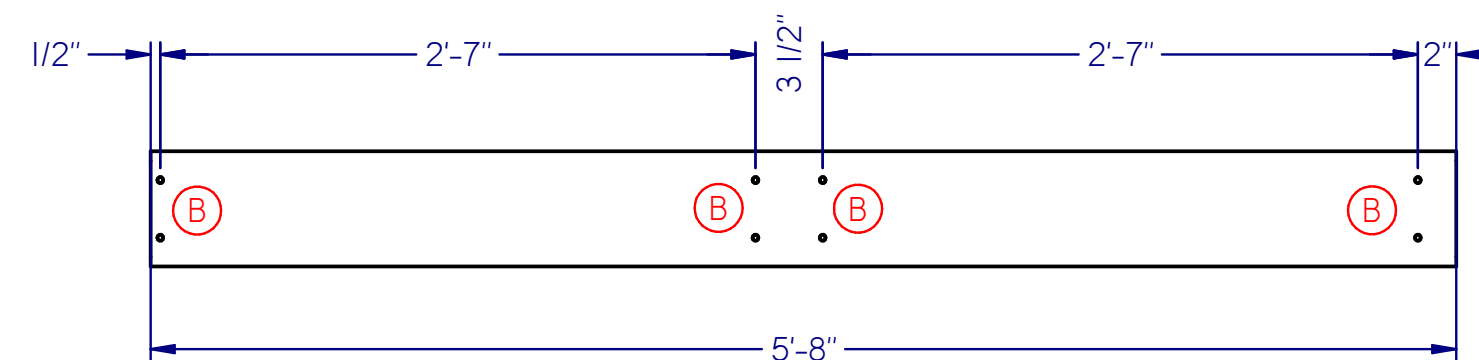


217250 Section_ASTM_A513_2008A_in_6x2x0.25_v12.00_1
Item #11 - 2 Each

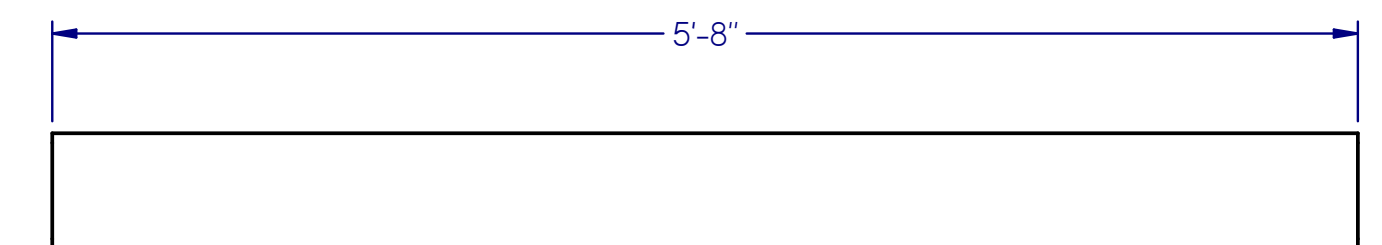
217250 Section_ASTM_A513_2008A_in_6x2x0.25_v12.00_2
Item #7 - 1 Each



217250 Section_ASTM_A513_2008A_in_6x2x0.25_v12.00_5
Item #1 - 1 Each



217250 Section_ASTM_A513_2008A_in_6x2x0.25_v12.00_4
Item #2 - 1 Each



217250 Section_ASTM_A500_2009_in_6.00x2.00x0.250_v12.00
Item #13 - 2 Each



1511 SOUTH HIGHWAY 6, PRICE, UT 84501
PHONE: (435) 637-7160 FAX: (435) 637-9601
8221 EAST 96TH AVE, UNIT A, HENDERSON, CO 80640
PHONE: (720) 409-1000
100 VALLEY DRIVE, SOUTHPOINT, OH 45680
PHONE: (740) 414-4770 FAX: (606) 644-0432
400 SWAN AVENUE, CENTRALIA, IL 62801
PHONE: (618) 214-1063 FAX: (606) 644-0442

AS BUILT

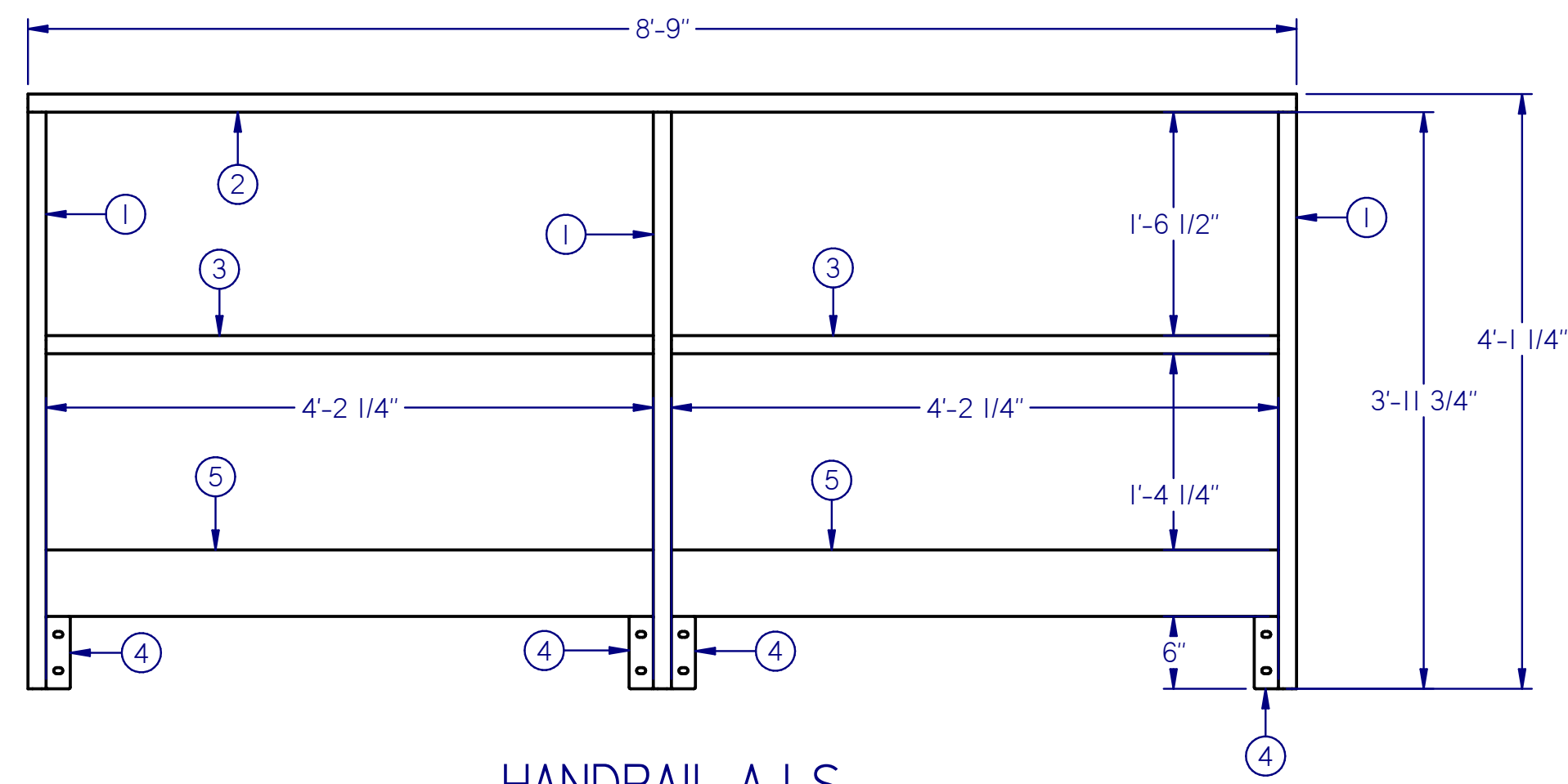
PDC ENERGY
PDC-1000
6' X 12' RS LANDING CUT LIST

REVISIONS

Rev.	Date	Description	By:	Approved:
FR 2.0	8/30/2018	ISSUED FOR REVIEW 2.0 - UPDATED PER P. E. L. REDLINES DATED 8/29/2018	WR	JY
FR 3.0	9/4/2018	ISSUED FOR REVIEW 3.0 - UPDATED PER P. E. L. AND ENGINEER REDLINES DATED 8/31/2018	WR	JY
IFC 1.0	9/7/2018	ISSUED FOR CONSTRUCTION	WR	JY
AS BUILT	10/25/2018	AS BUILT	WR	JY
			NA	NA
			NA	NA
			NA	NA

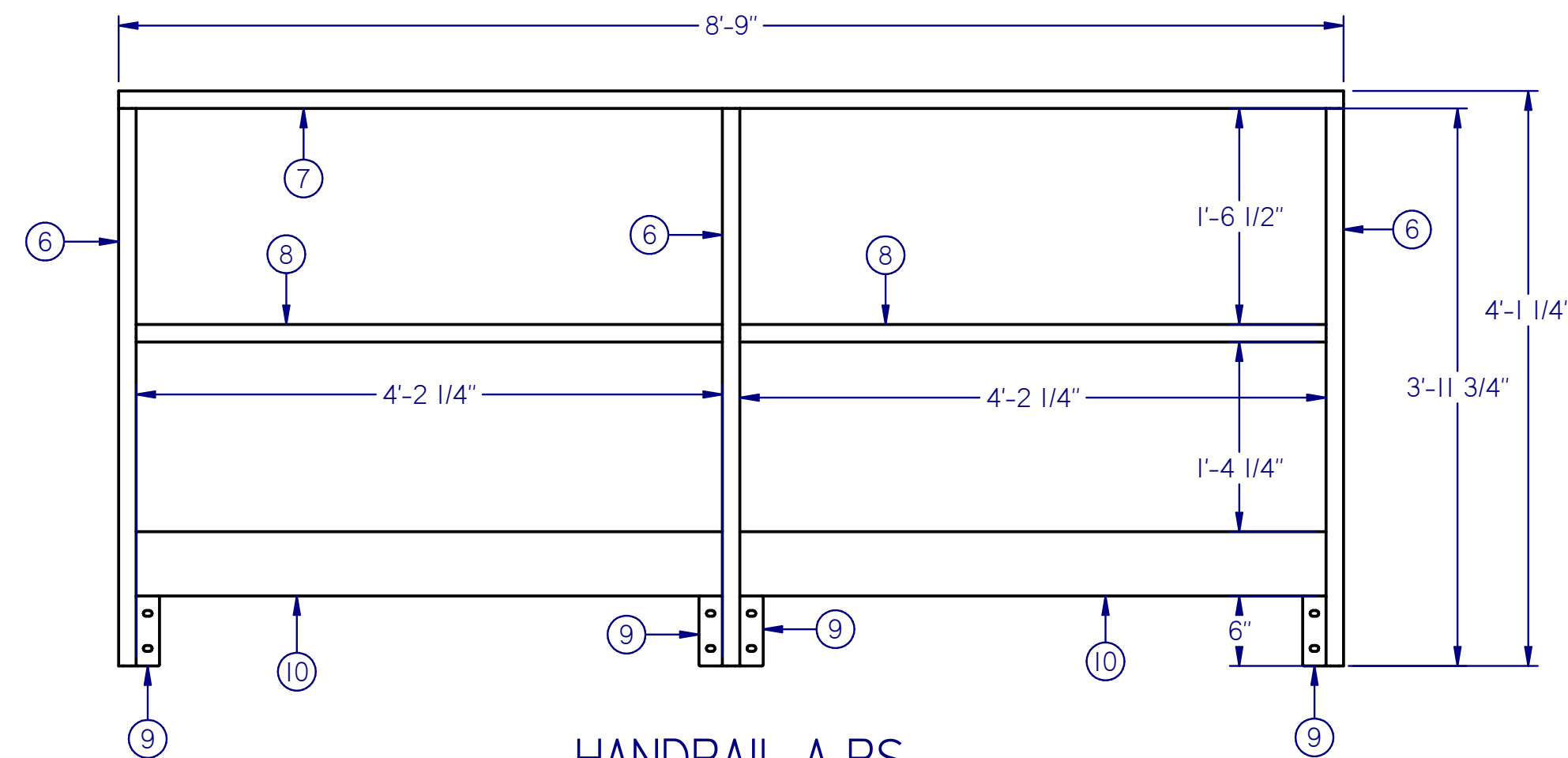
DRAWN BY: wrasmussen
ENGINEERED BY: J.S.Y., M.E.
APPROVED BY: -
DATE: 7/25/2018
PROJECT NO. 217250-1-1
REV. IFC 1.0

DRAWING NO. **M-36**
SHT **36** OF **45**



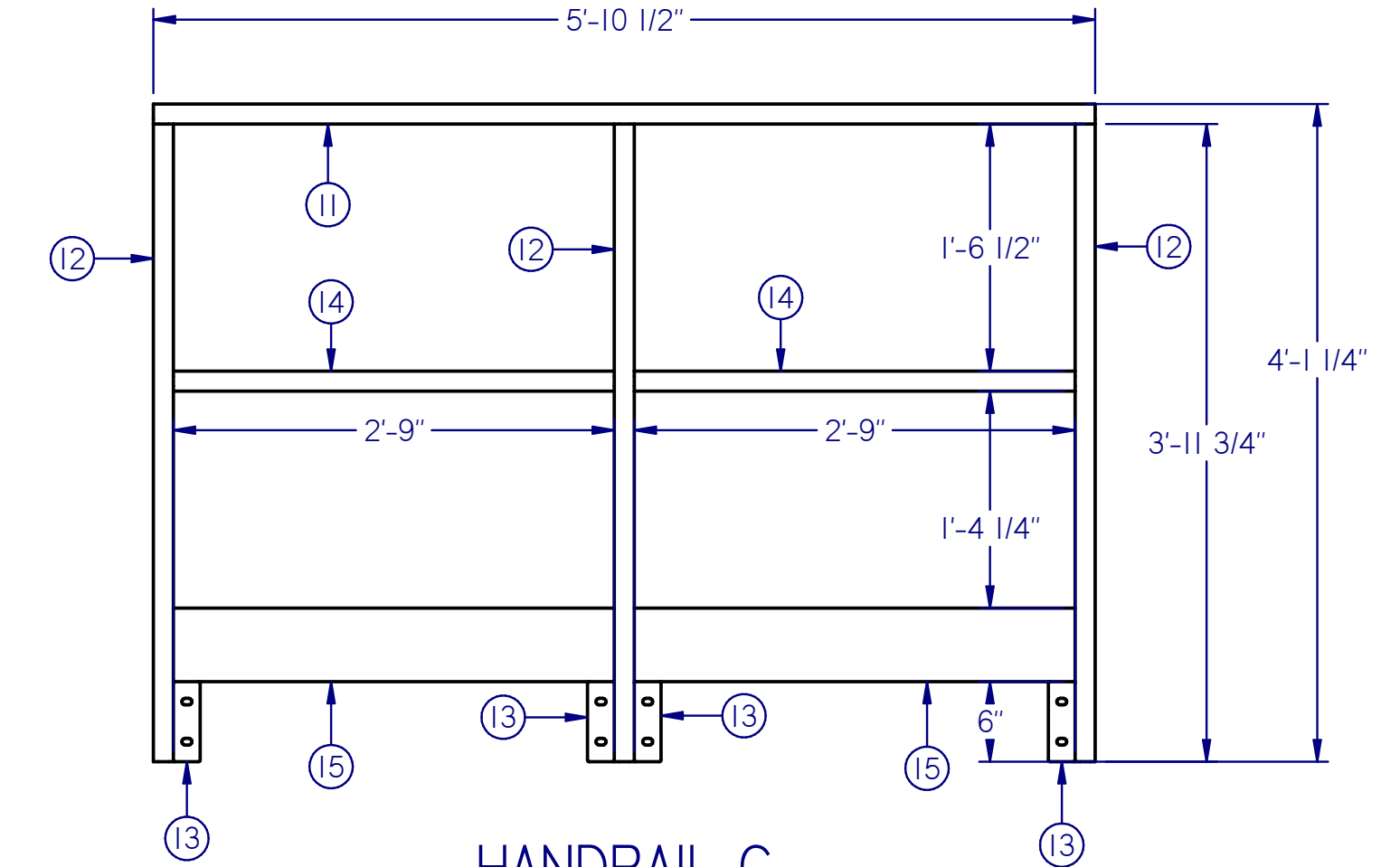
HANDRAIL A LS
1 EACH

HANDRAIL A LS CUT LIST			
Item Number	Quantity	File Name	Length
1	3	217250 Section_Q_CSW_L_I12x1_I12x0.188_v9.00_4	3'-11 3/4"
2	1	217250 Section_Q_CSW_L_I12x1_I12x0.188_v9.00_5	8'-9"
3	2	217250 Section_Q_CSW_L_I12x1_I12x0.188_v9.00_6	4'-2 1/4"
4	4	217250 BP C LSR	N/A
5	2	217250 HANDRAIL KICK PLATE A LSR	N/A



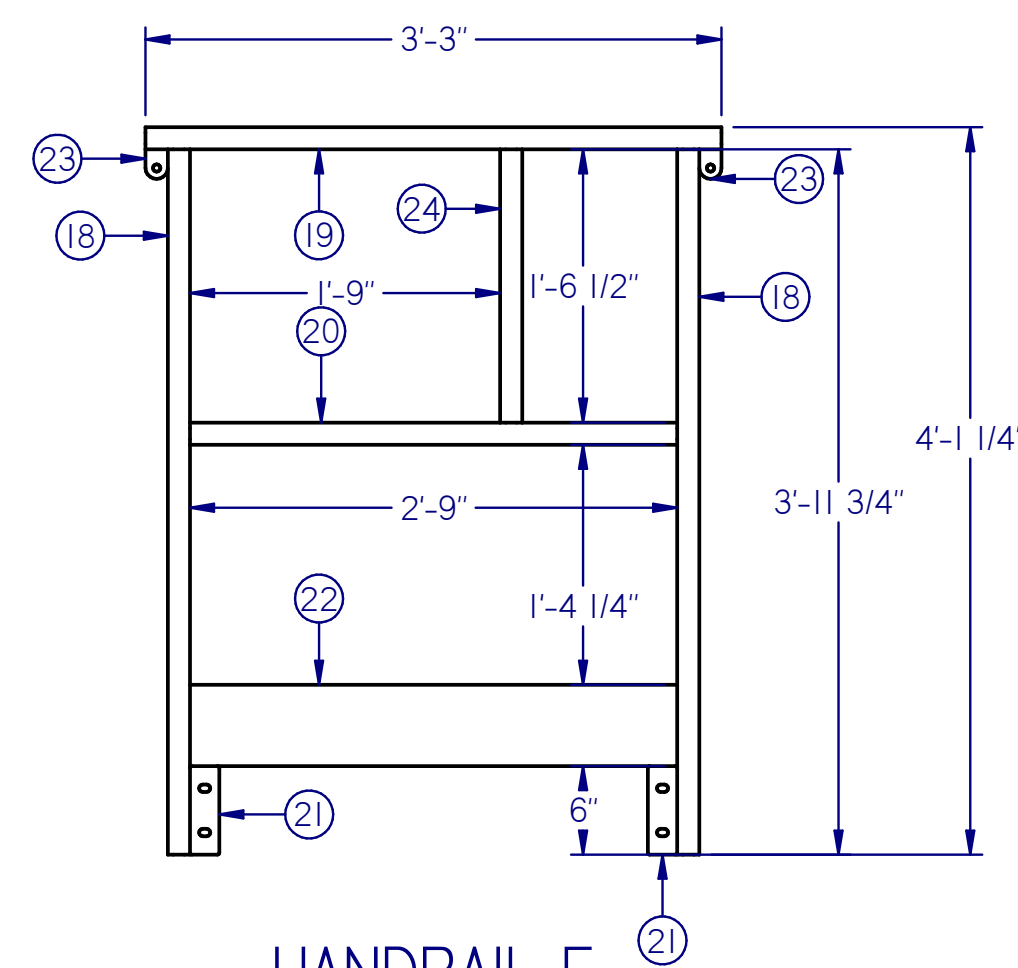
HANDRAIL A RS
1 EACH

HANDRAIL A RS CUT LIST			
Item Number	Quantity	File Name	Length
6	3	217250 Section_Q_CSW_L_I12x1_I12x0.188_v9.00_4	3'-11 3/4"
7	1	217250 Section_Q_CSW_L_I12x1_I12x0.188_v9.00_5	8'-9"
8	2	217250 Section_Q_CSW_L_I12x1_I12x0.188_v9.00_6	4'-2 1/4"
9	4	217250 BP C LSR	N/A
10	2	217250 HANDRAIL KICK PLATE A LSR	N/A



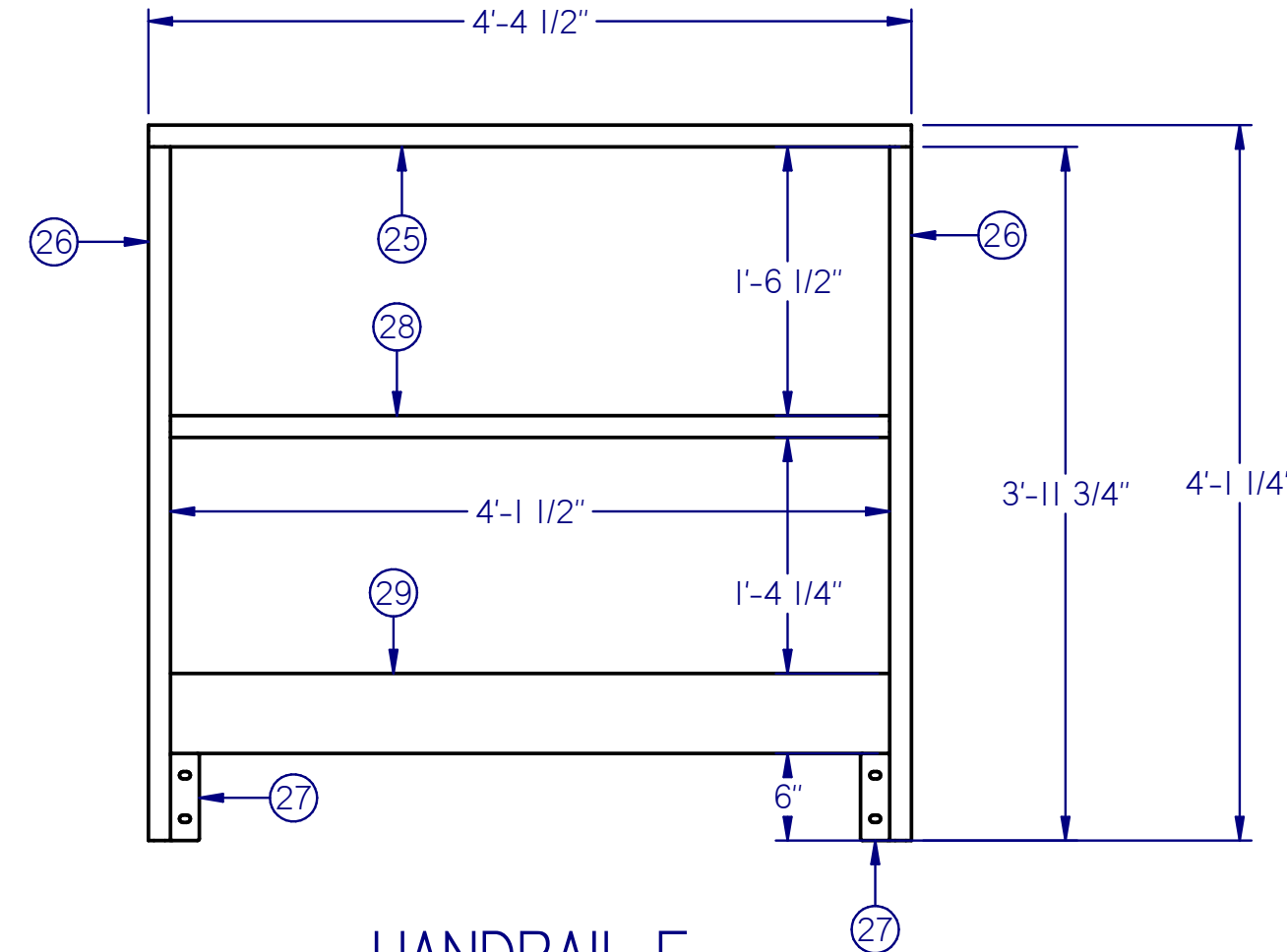
HANDRAIL C
4 EACH

HANDRAIL C CUT LIST			
Item Number	Quantity	File Name	Length
11	1	217250 Section_Q_CSW_L_I12x1_I12x0.188_v9.00_1	5'-10 1/2"
12	3	217250 Section_Q_CSW_L_I12x1_I12x0.188_v9.00_3	3'-11 3/4"
13	4	217250 BP A LSR	N/A
14	2	217250 Section_Q_CSW_L_I12x1_I12x0.188_v9.00_2	2'-9"
15	2	217250 HANDRAIL KICK PLATE C LSR	N/A



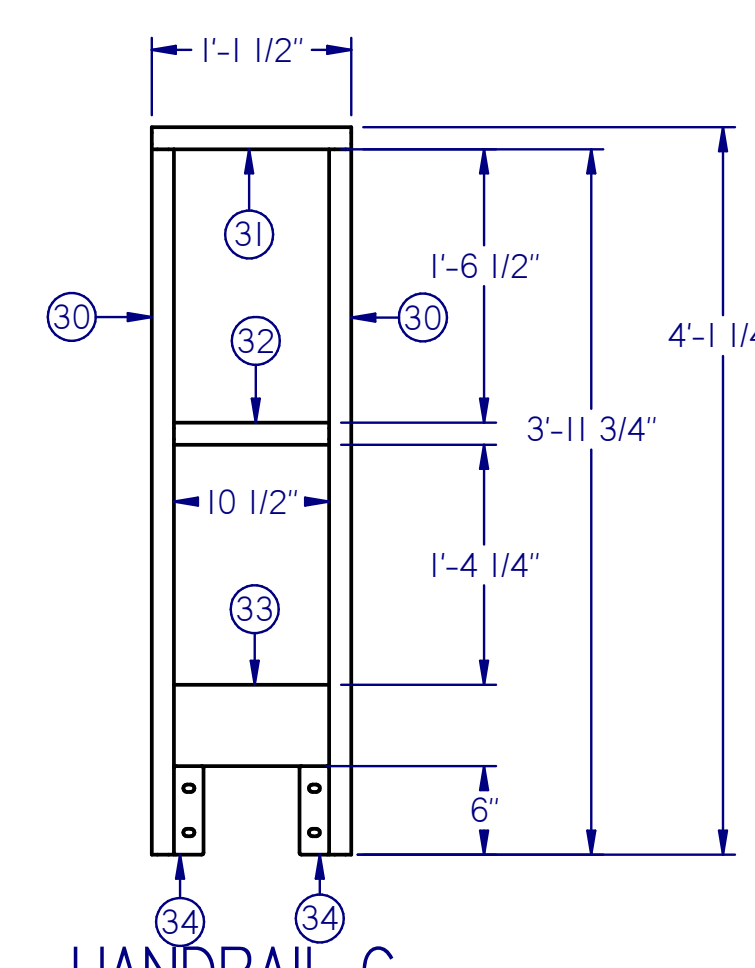
HANDRAIL E
1 EACH

HANDRAIL E CUT LIST			
Item Number	Quantity	File Name	Length
18	2	217250 Section_Q_CSW_L_I12x1_I12x0.188_v9.00_4	3'-11 3/4"
19	1	217250 Section_Q_CSW_L_I12x1_I12x0.188_v9.00_5	3'-3"
20	1	217250 Section_Q_CSW_L_I12x1_I12x0.188_v9.00_6	2'-9"
21	2	217250 BP C LSR	N/A
22	1	217250 HANDRAIL KICK PLATE E LSR	N/A
23	2	217030-I BP B LSR	N/A
24	1	217250 Section_Q_CSW_L_I12x1_I12x0.188_v9.00_10	1'-6 1/2"



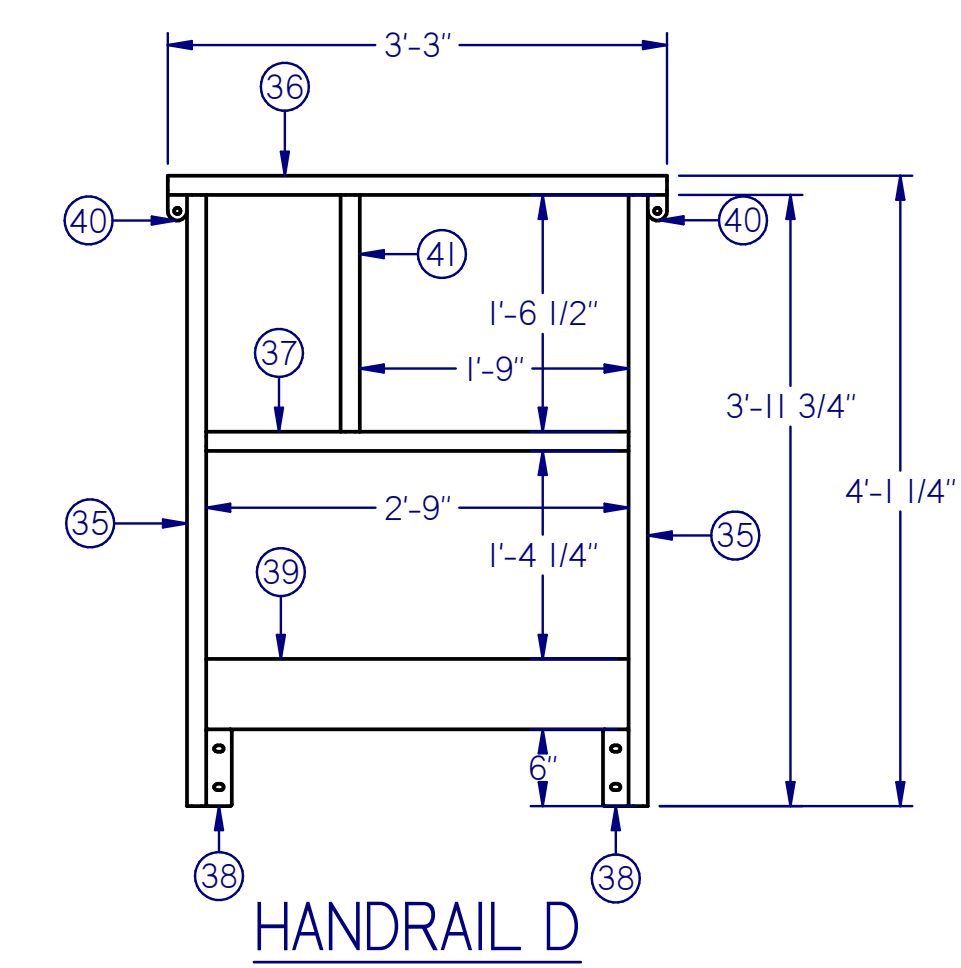
HANDRAIL F
2 EACH

HANDRAIL F CUT LIST			
Item Number	Quantity	File Name	Length
25	1	217250 Section_Q_CSW_L_I12x1_I12x0.188_v9.00_1	4'-4 1/2"
26	2	217250 Section_Q_CSW_L_I12x1_I12x0.188_v9.00_3	3'-11 3/4"
27	2	217250 BP A LSR	N/A
28	1	217250 Section_Q_CSW_L_I12x1_I12x0.188_v9.00_2	4'-1 1/2"
29	1	217250 HANDRAIL KICK PLATE F LSR	N/A



HANDRAIL G
2 EACH

HANDRAIL G CUT LIST			
Item Number	Quantity	File Name	Length
30	2	217250 Section_Q_CSW_L_I12x1_I12x0.188_v9.00_7	3'-11 3/4"
31	1	217250 Section_Q_CSW_L_I12x1_I12x0.188_v9.00_8	1'-1 1/2"
32	1	217250 Section_Q_CSW_L_I12x1_I12x0.188_v9.00_9	10 1/2"
33	1	217250 HANDRAIL KICK PLATE G LSR	N/A
34	2	217250 BP A LSR	N/A



HANDRAIL D
1 EACH

HANDRAIL D CUT LIST			
Item Number	Quantity	File Name	Length
35	2	217250 Section_Q_CSW_L_I12x1_I12x0.188_v9.00_4	3'-11 3/4"
36	1	217250 Section_Q_CSW_L_I12x1_I12x0.188_v9.00_5	3'-3"
37	1	217250 Section_Q_CSW_L_I12x1_I12x0.188_v9.00_6	2'-9"
38	2	217250 BP C LSR	N/A
39	1	217250 HANDRAIL KICK PLATE E LSR	N/A
40	2	217030-I BP B LSR	N/A
41	1	217250 Section_Q_CSW_L_I12x1_I12x0.188_v9.00_10	1'-6 1/2"



1511 SOUTH HIGHWAY 6, PRICE, UT 84501
PHONE: (435) 637-7160 FAX: (435) 637-9601

8221 EAST 96TH AVE, UNIT A, HENDERSON, CO 80640
PHONE: (720) 409-1000

100 VALLEY DRIVE, SOUTHPOINT, OH 45680
PHONE: (740) 414-4770 FAX: (606) 644-0432

400 SWAN AVENUE, CENTRALIA, IL 62801
PHONE: (618) 214-1063 FAX: (606) 644-0442

www.intermountainelectronics.com

AS BUILT

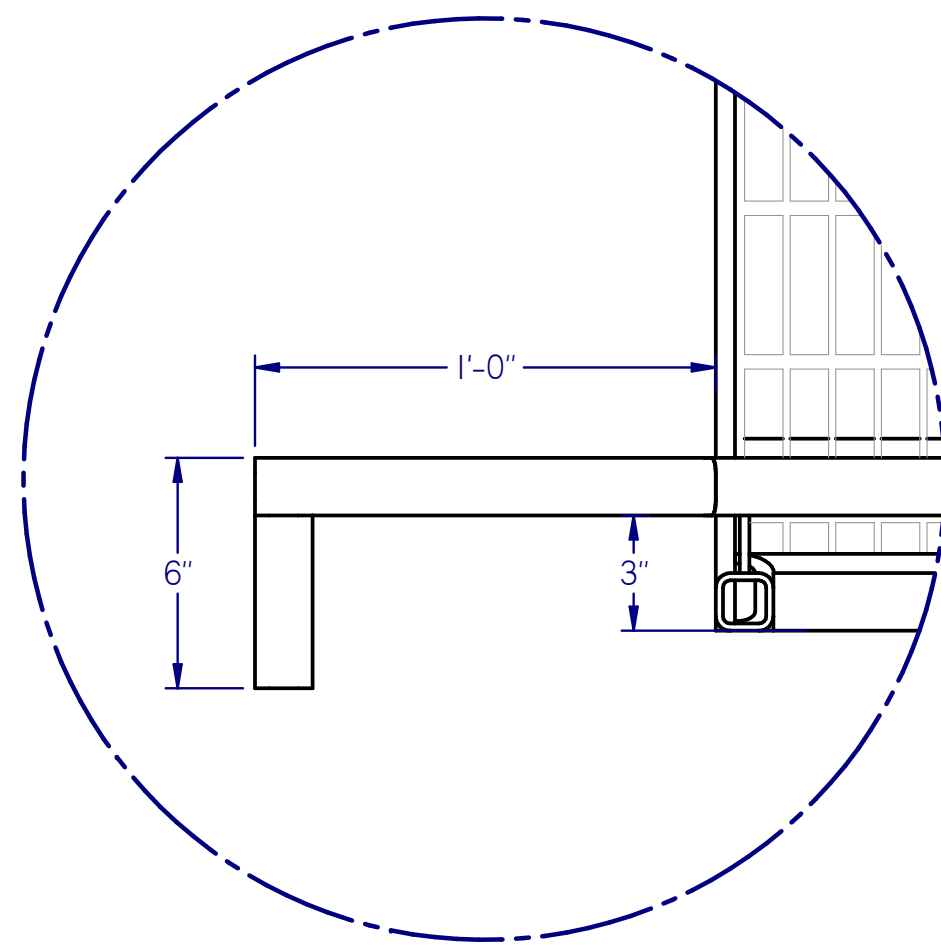
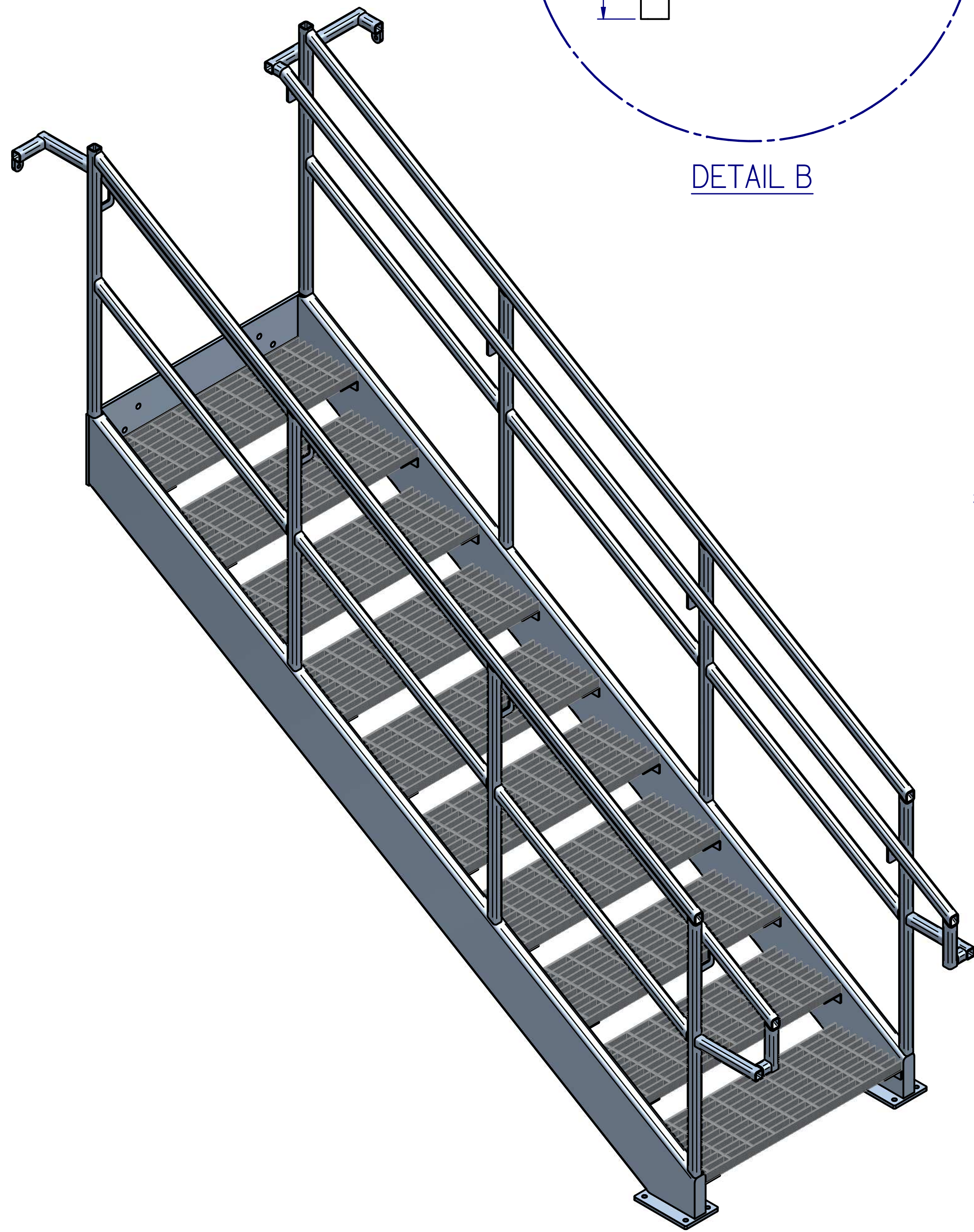
PDC ENERGY
PDC-1000
HANDRAIL DETAILS

REVISIONS

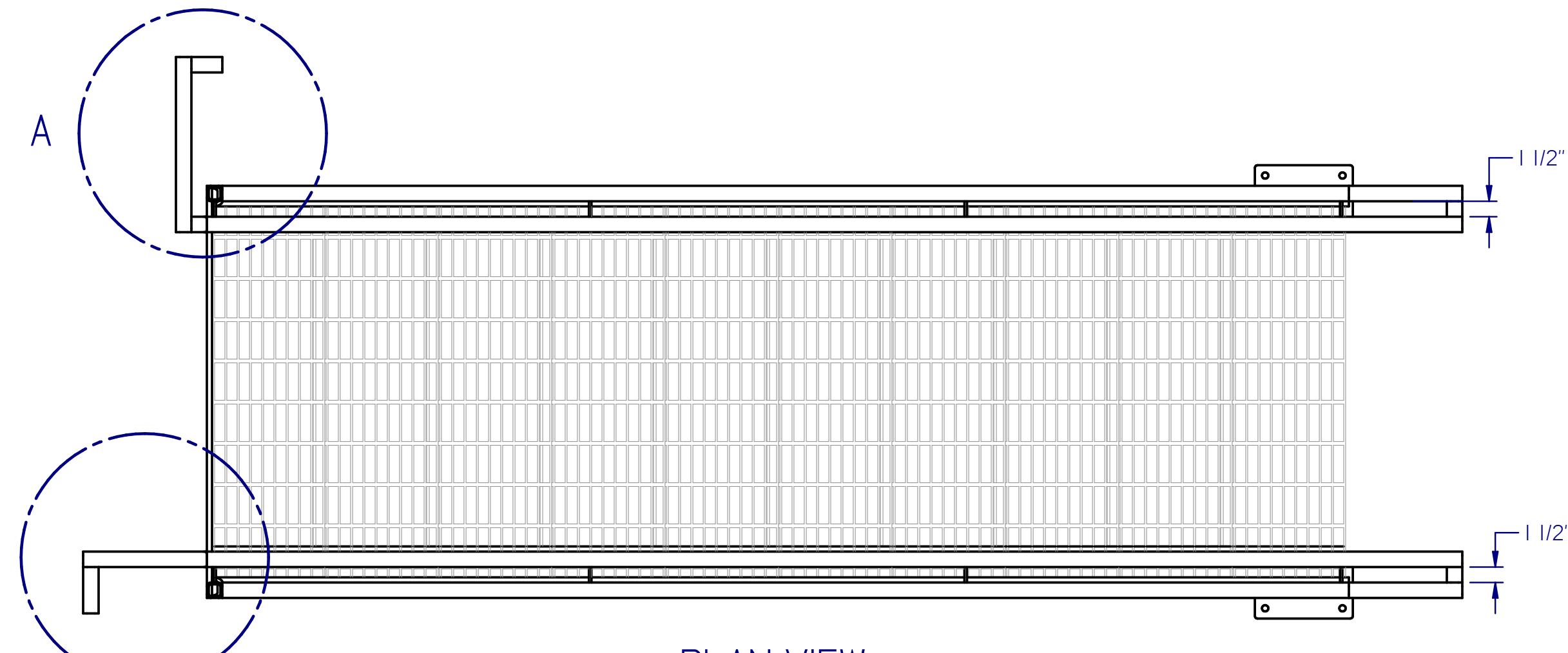
Rev:	Date:	Description:	By:	Approved:
FR 2.0	8/30/2018	ISSUED FOR REVIEW 2.0 - UPDATED PER P. E. L. REDLINES DATED 8/29/2018	WR	JY
FR 3.0	9/4/2018	ISSUED FOR REVIEW 3.0 - UPDATED PER P. E. L. AND ENGINEER REDLINES DATED 8/31/2018	WR	JY
IFC 1.0	9/7/2018	ISSUED FOR CONSTRUCTION	WR	JY
AS BUILT	10/25/2018	AS BUILT	WR	JY
			NA	NA
			NA	NA
			NA	NA
			NA	NA

DRAWN BY: wrasmsussen
ENGINEERED BY: J.S.Y., M.E.
APPROVED BY: _____
DATE: 7/25/2018
PROJECT NO. 217250-1-1 REV. IFC 1.0

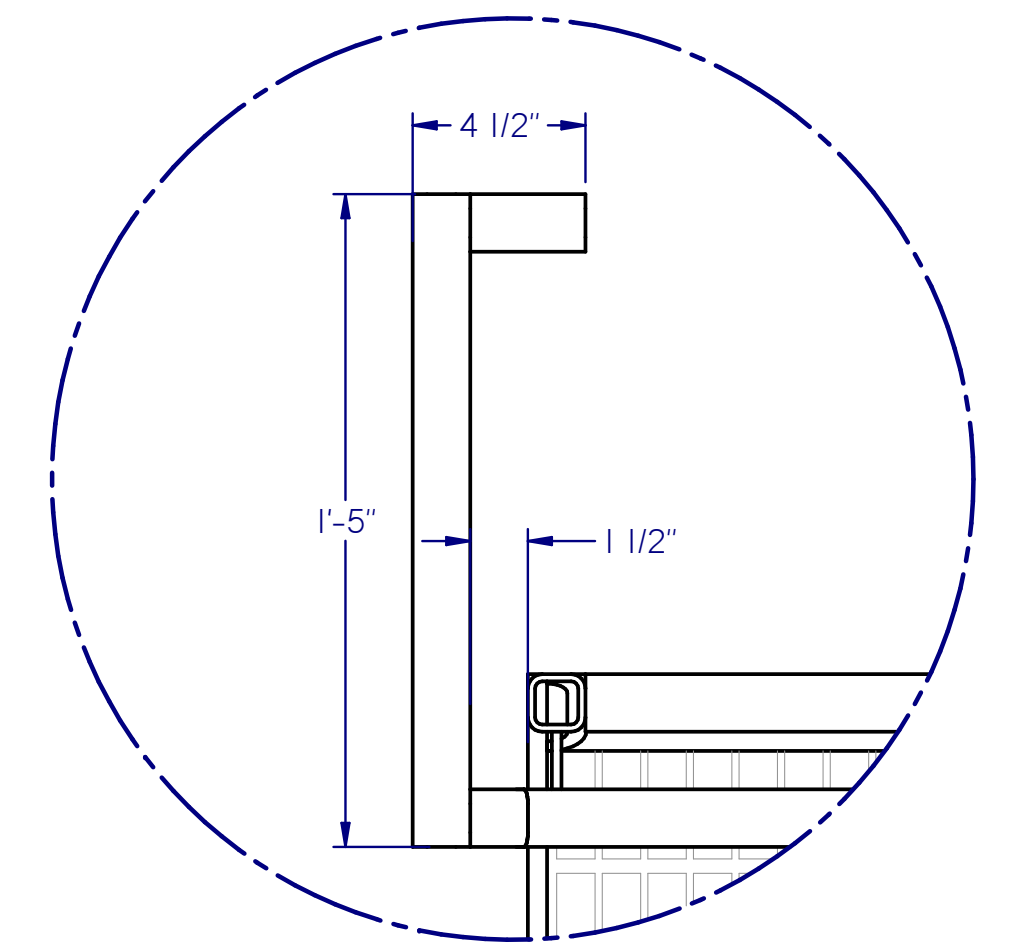
DRAWING NO. M-37
SHT 37 OF 45



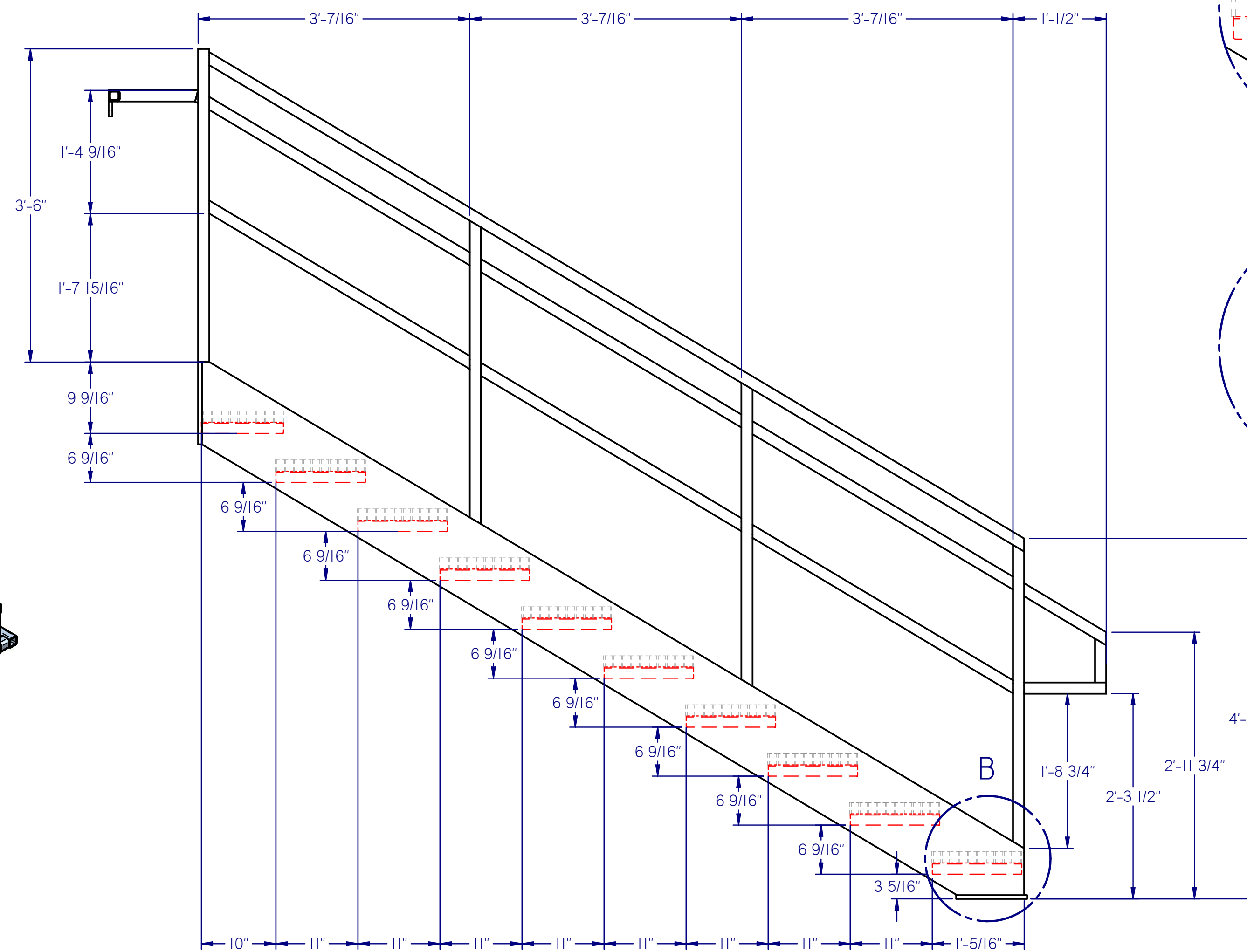
DETAIL B



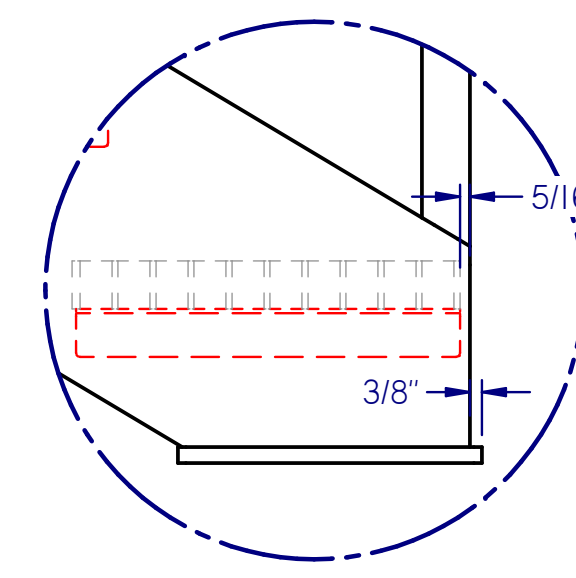
PLAN VIEW



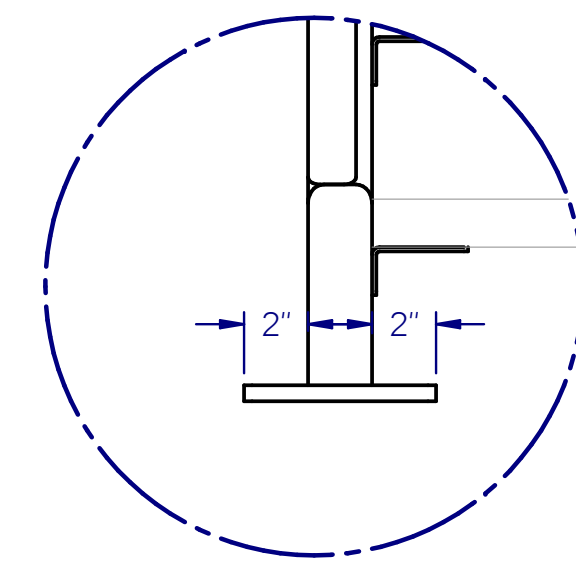
DETAIL A



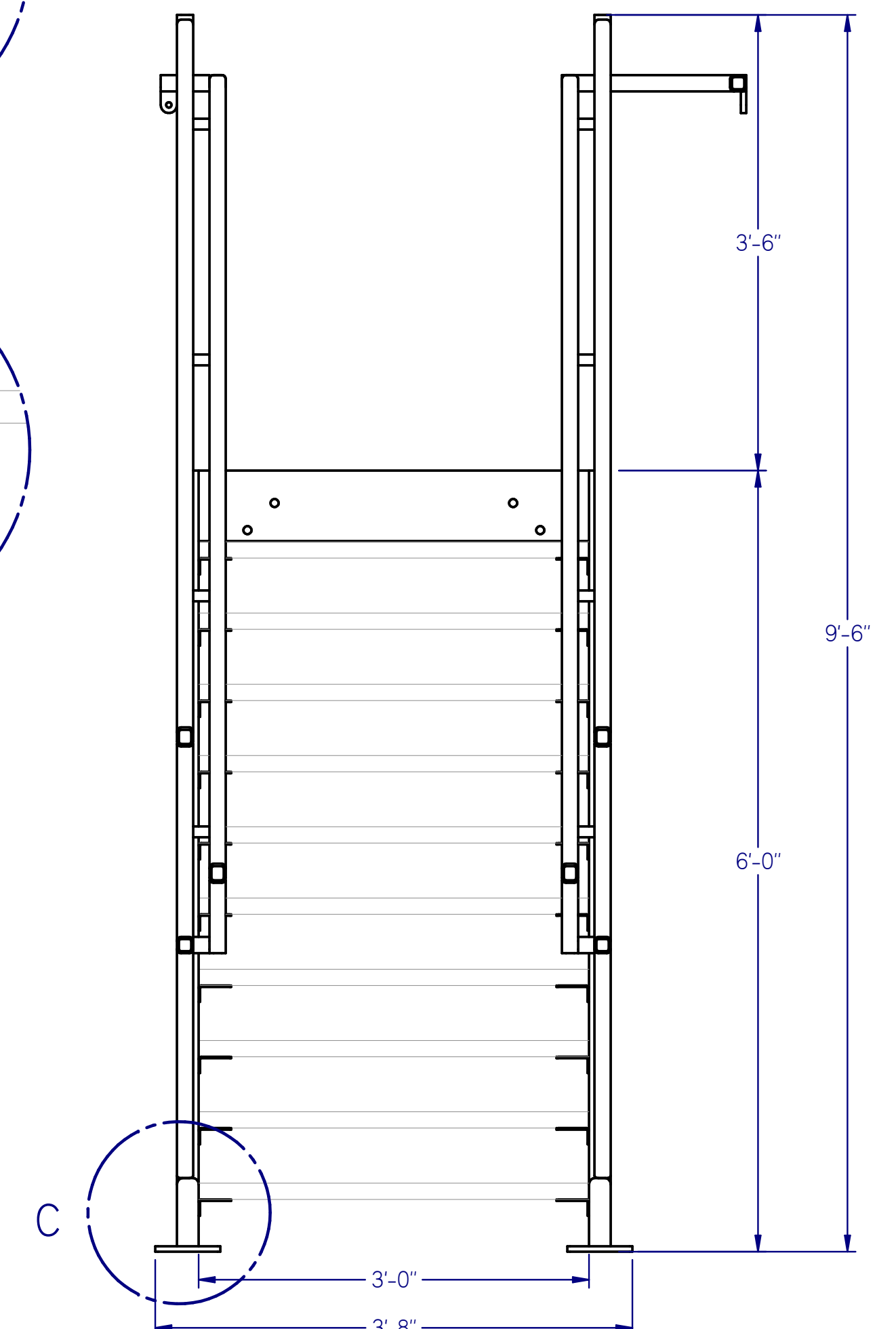
SIDE VIEW



DETAIL B



DETAIL C



FRONT VIEW

PARTS LIST ON SHEET M-39

⑤ LS STAIR RUN (1,250 LBS)
1 EACH



1511 SOUTH HIGHWAY 6, PRICE, UT 84501
PHONE: (435) 637-7160 FAX: (435) 637-9601
8221 EAST 96TH AVE, UNIT A, HENDERSON, CO 80640
PHONE: (720) 409-1000
100 VALLEY DRIVE, SOUTHPOINT, OH 45680
PHONE: (740) 414-4770 FAX: (606) 644-0432
400 SWAN AVENUE, CENTRALIA, IL 62801
PHONE: (618) 214-1063 FAX: (606) 644-0442

AS BUILT

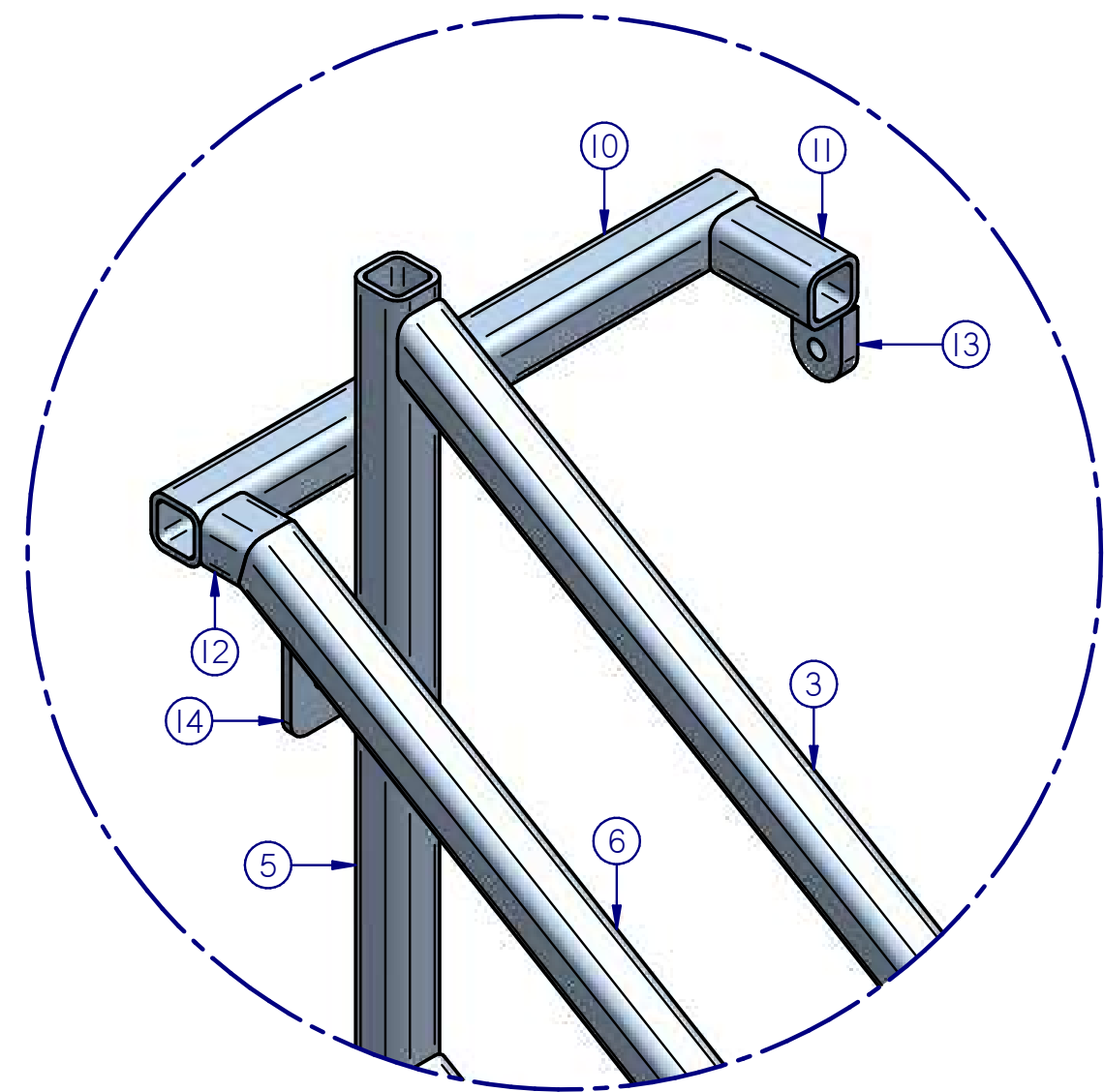
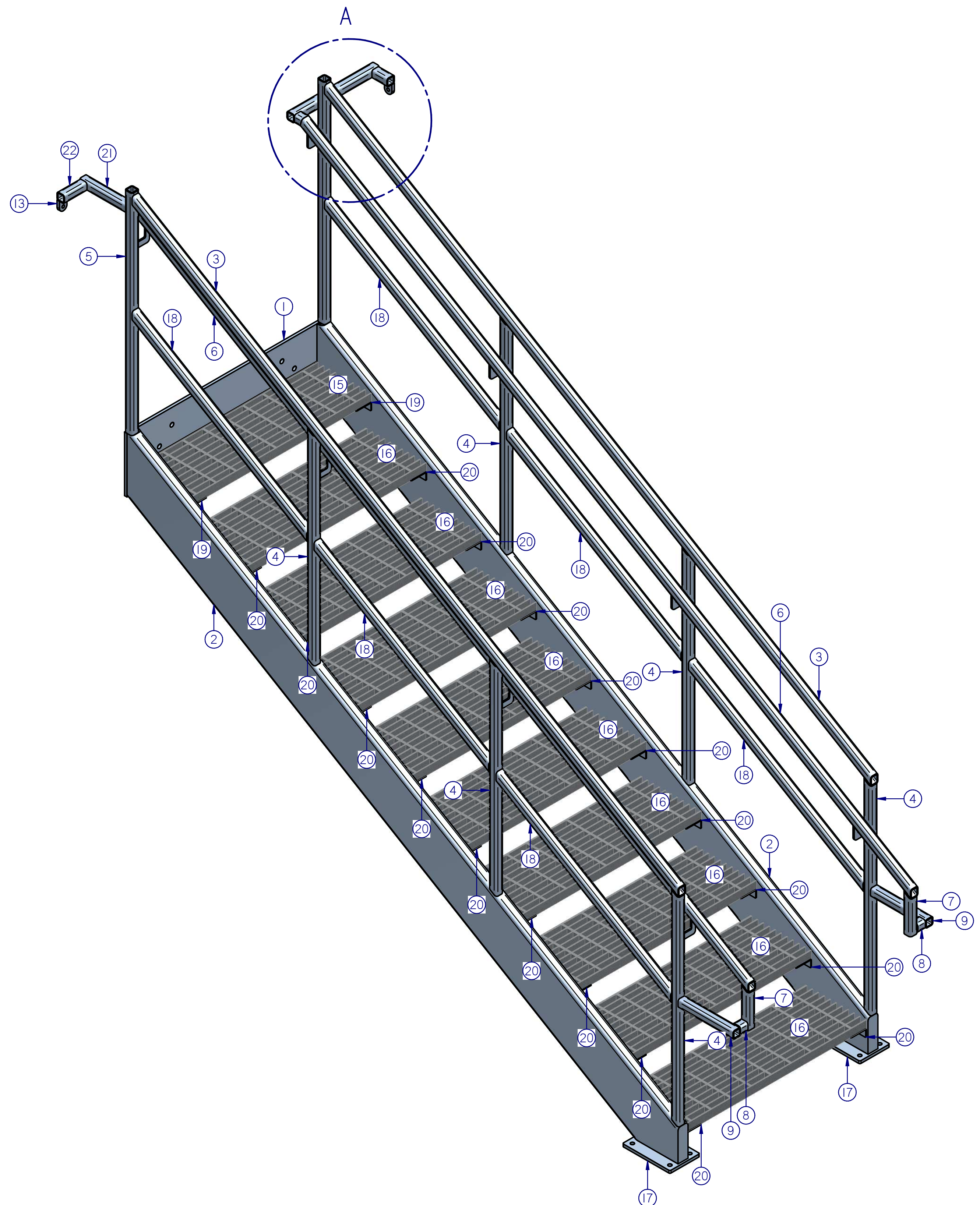
PDC ENERGY
PDC-1000
LS STAIR RUN

REVISIONS

Rev:	Date:	Description:	By:	Approved:
FR 2.0	8/30/2018	ISSUED FOR REVIEW 2.0 - UPDATED PER P. E. L. REDLINES DATED 8/29/2018	WR	JY
FR 3.0	9/4/2018	ISSUED FOR REVIEW 3.0 - UPDATED PER P. E. L. AND ENGINEER REDLINES DATED 8/31/2018	WR	JY
FC 1.0	9/7/2018	ISSUED FOR CONSTRUCTION	WR	JY
AS BUILT	10/25/2018	AS BUILT	WR	JY
			NA	NA
			NA	NA
			NA	NA

DRAWN BY: wrasmussen
ENGINEERED BY: J.S.Y., M.E.
APPROVED BY: -
DATE: 7/25/2018
PROJECT NO. 217250-1-1
REV. IFC 1.0

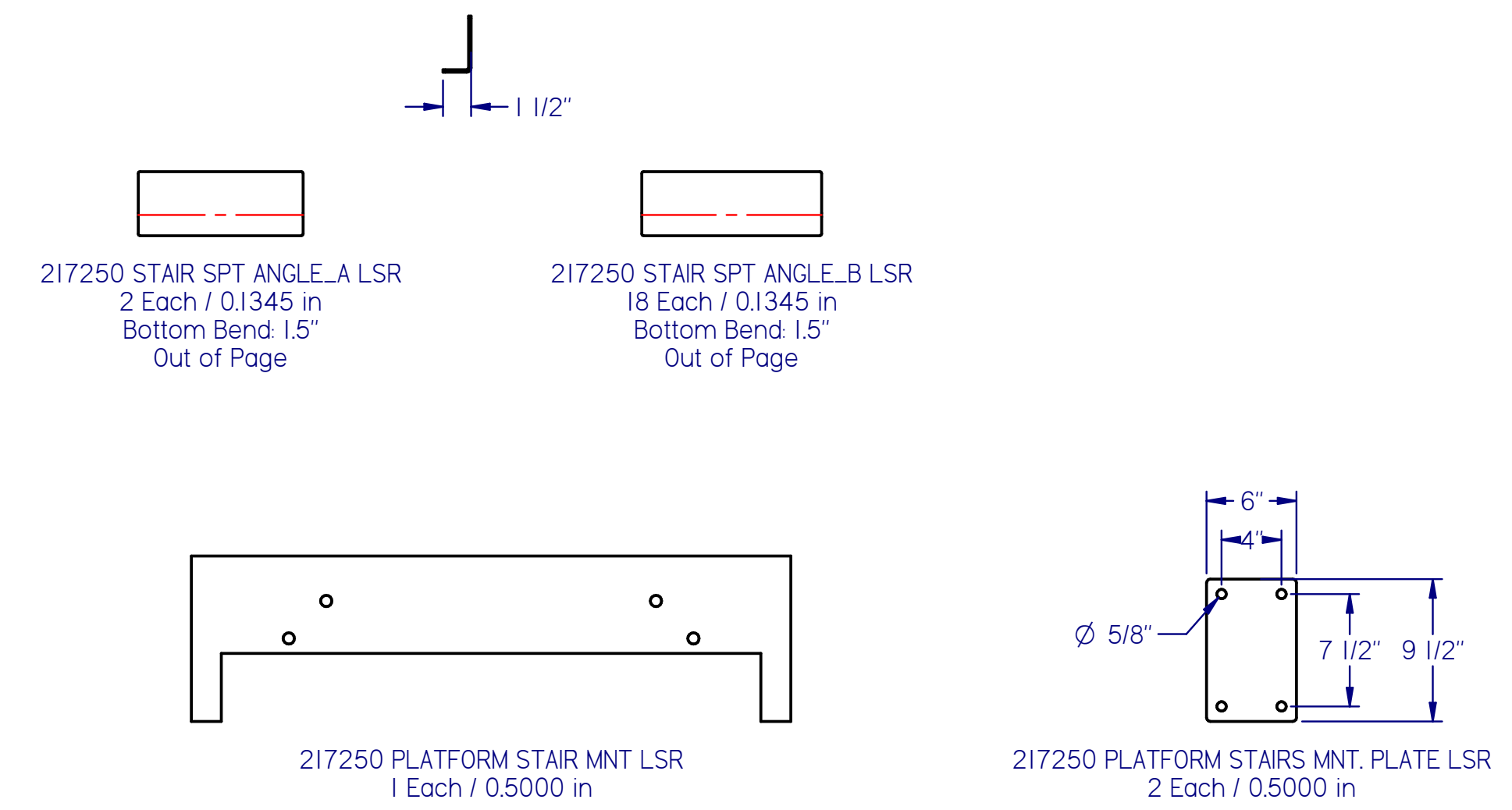
DRAWING NO. **M-38**
SHT **38** OF **45**



DETAIL A

LS STAIR RUN PARTS LIST		
Item Number	Quantity	File Name
1	1	217250 PLATFORM STAIR MNT LSR
2	2	217250 Section_ASTM_A500_2009_in_10.0x2.00x0.1875_v12.00
3	2	217250 Section_Q_CSW_I_112xI_112x0.188_v9.00_18
4	6	217250 Section_Q_CSW_I_112xI_112x0.188_v9.00_13
5	2	217250 Section_Q_CSW_I_112xI_112x0.188_v9.00_10
6	2	217250 Section_Q_CSW_I_112xI_112x0.188_v9.00_15
7	2	217250 Section_Q_CSW_I_112xI_112x0.188_v9.00_17
8	2	217250 Section_Q_CSW_I_112xI_112x0.188_v9.00_12
9	2	217250 Section_Q_CSW_I_112xI_112x0.188_v9.00_11
10	1	217250 Section_Q_CSW_I_112xI_112x0.188_v9.00_16
11	1	217250 Section_Q_CSW_I_112xI_112x0.188_v9.00_14
12	1	217250 Section_Q_CSW_I_112xI_112x0.188_v9.00_19
13	2	217250 BP B LSR
14	8	217250 HANDRAIL BRKT LSR
15	1	217250 19-W-4 10.9375IN STAIR TREAD
16	9	217250 19-W-4 12.125IN STAIR TREAD
17	2	217250 PLATFORM STAIRS MNT. PLATE LSR
18	6	217250 Section_Q_CSW_I_112xI_112x0.188_v9.00_23
19	2	217250 STAIR SPT ANGLE_A LSR
20	18	217250 STAIR SPT ANGLE_B LSR
21	1	217250 Section_Q_CSW_I_112xI_112x0.188_v9.00_20
22	1	217250 Section_Q_CSW_I_112xI_112x0.188_v9.00_21

CUT LIST DETAILS ON SHEET M-40



AS BUILT

PDC ENERGY
PDC-1000
LS STAIR RUN PARTS LIST

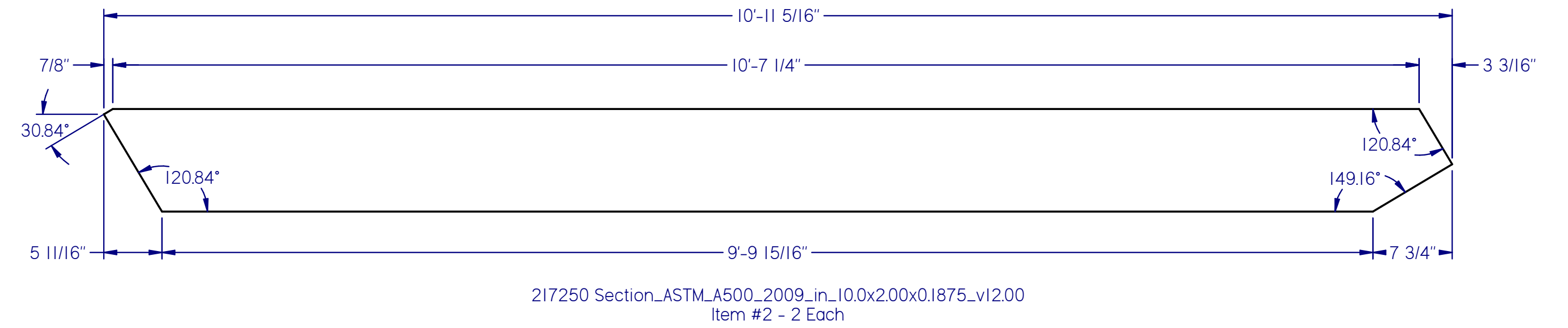
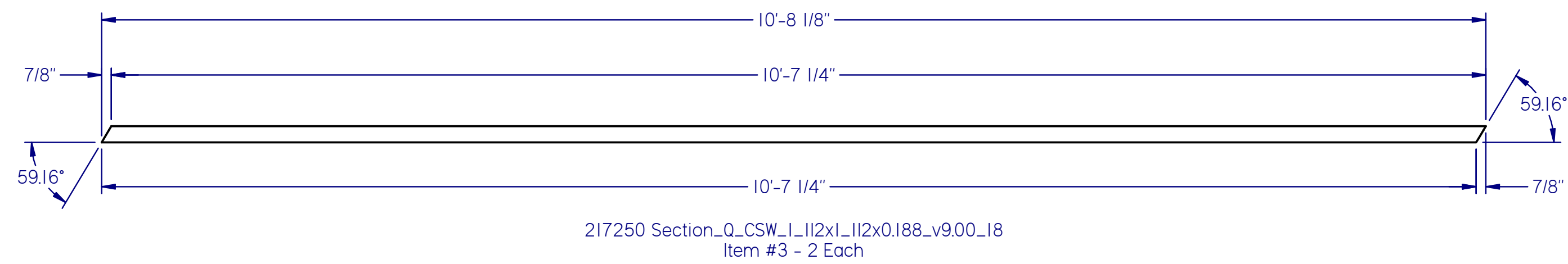
REVISIONS				
Rev:	Date:	Description:	By:	Approved:
FR 2.0	8/30/2018	ISSUED FOR REVIEW 2.0 - UPDATED PER P. E. L. REDLINES DATED 8/29/2018	WR	JY
FR 3.0	9/4/2018	ISSUED FOR REVIEW 3.0 - UPDATED PER P. E. L. AND ENGINEER REDLINES DATED 8/31/2018	WR	JY
IFC 1.0	9/7/2018	ISSUED FOR CONSTRUCTION	WR	JY
AS BUILT	10/25/2018	AS BUILT	WR	JY
			NA	NA
			NA	NA
			NA	NA

DRAWN BY: wrasmussen
 ENGINEERED BY: J.S.Y., M.E.
 APPROVED BY: _____
 DATE: 7/25/2018
 PROJECT NO. 217250-1-1 REV. IFC 1.0

DRAWING NO. M-39
 SHT 39 OF 45

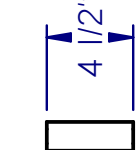
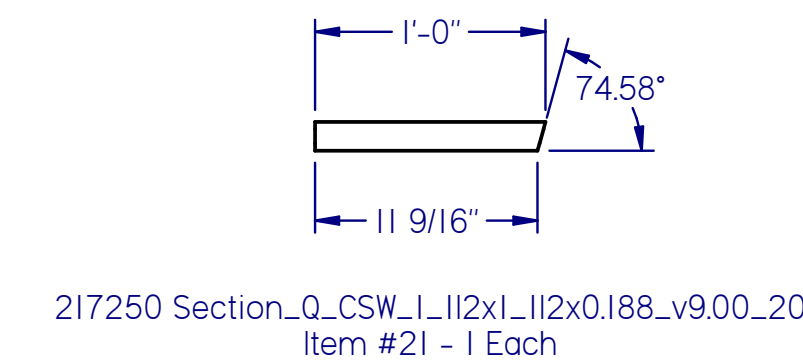
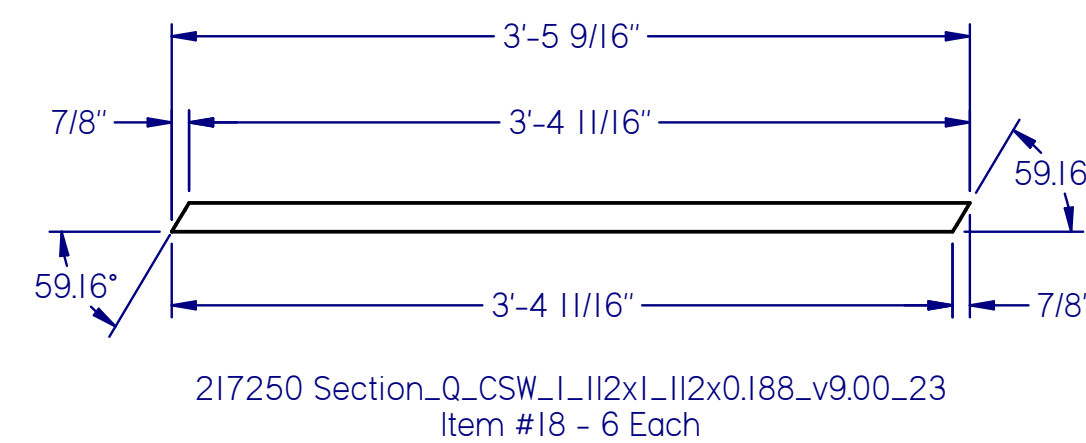
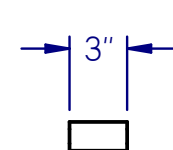
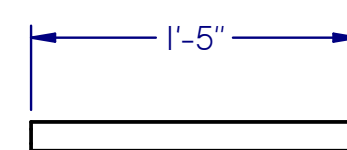
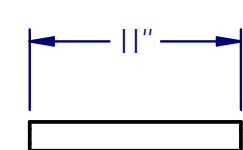
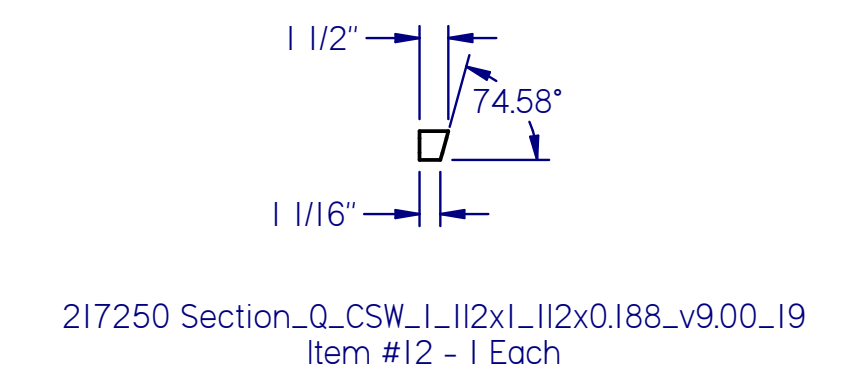
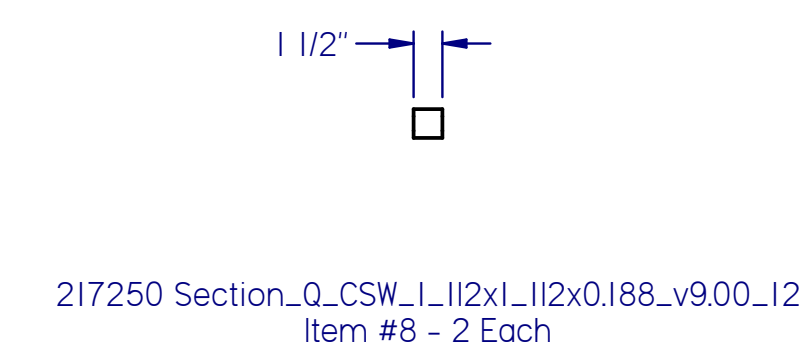
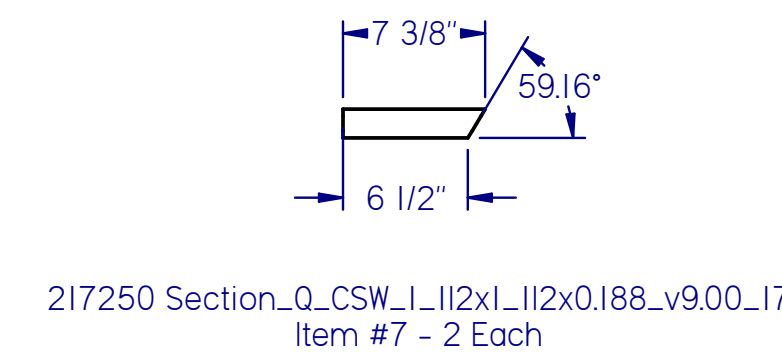
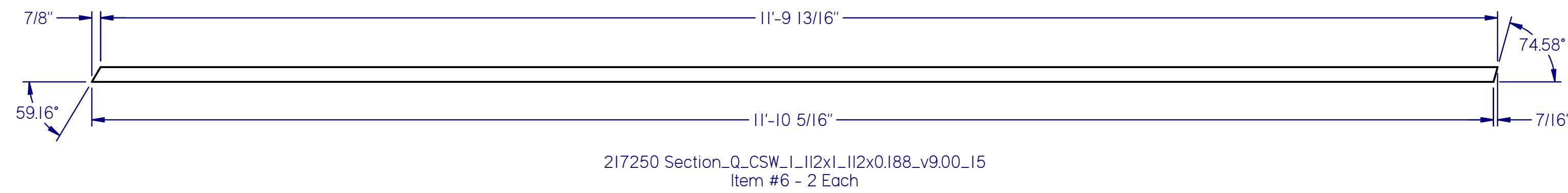
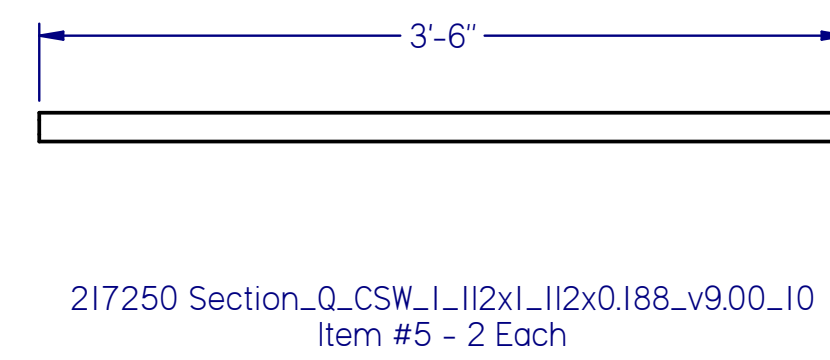
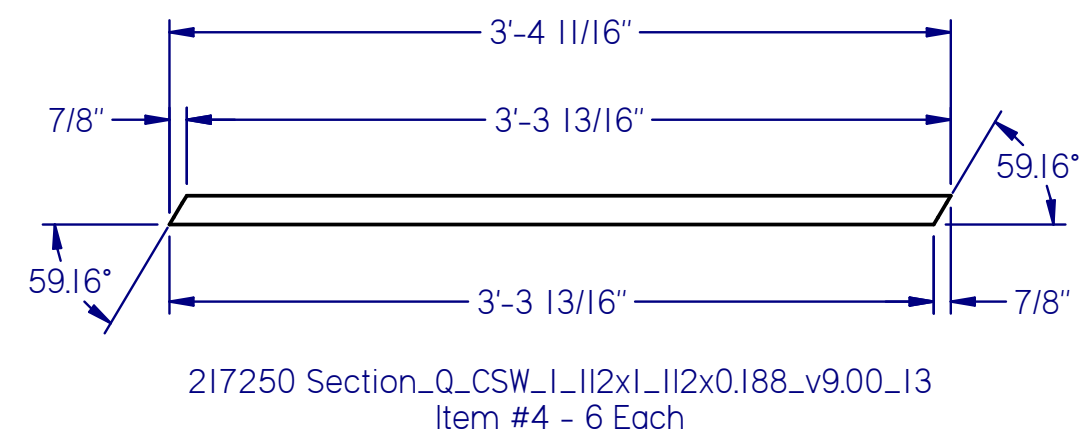


1511 SOUTH HIGHWAY 6, PRICE, UT 84501
 PHONE: (435) 637-7160 FAX: (435) 637-9601
 8221 EAST 96TH AVE, UNIT A, HENDERSON, CO 80640
 PHONE: (720) 409-1000
 100 VALLEY DRIVE, SOUTHPOINT, OH 45680
 PHONE: (740) 414-4770 FAX: (606) 644-0432
 400 SWAN AVENUE, CENTRALIA, IL 62801
 PHONE: (618) 214-1063 FAX: (606) 644-0442



NOTE: USE TEMPLATE PROVIDED FOR ITEM #2

LS STAIR RUN CUT LIST		
Item Number	Quantity	File Name
2	2	217250 Section_ASTM_A500_2009_in_10.0x2.00x0.1875_v12.00
3	2	217250 Section_Q_CSW_L_I12xL_I12x0.188_v9.00_18
4	6	217250 Section_Q_CSW_L_I12xL_I12x0.188_v9.00_13
5	2	217250 Section_Q_CSW_L_I12xL_I12x0.188_v9.00_10
6	2	217250 Section_Q_CSW_L_I12xL_I12x0.188_v9.00_15
7	2	217250 Section_Q_CSW_L_I12xL_I12x0.188_v9.00_17
8	2	217250 Section_Q_CSW_L_I12xL_I12x0.188_v9.00_12
9	2	217250 Section_Q_CSW_L_I12xL_I12x0.188_v9.00_11
10	1	217250 Section_Q_CSW_L_I12xL_I12x0.188_v9.00_16
11	1	217250 Section_Q_CSW_L_I12xL_I12x0.188_v9.00_14
12	1	217250 Section_Q_CSW_L_I12xL_I12x0.188_v9.00_19
18	6	217250 Section_Q_CSW_L_I12xL_I12x0.188_v9.00_23
21	1	217250 Section_Q_CSW_L_I12xL_I12x0.188_v9.00_20
22	1	217250 Section_Q_CSW_L_I12xL_I12x0.188_v9.00_21



AS BUILT

PDC ENERGY
PDC-1000
LS STAIR RUN CUT LIST

REVISIONS

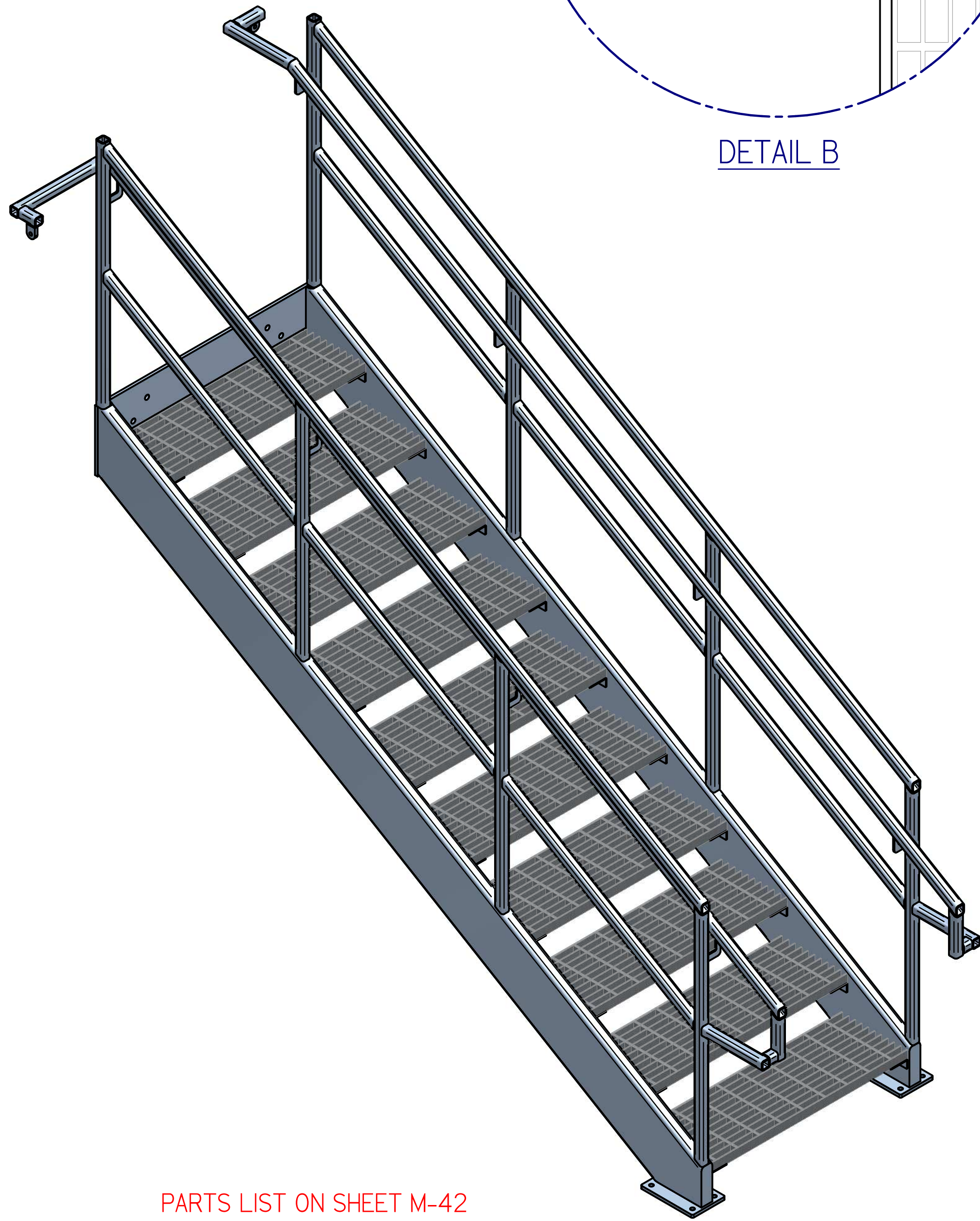
Rev:	Date:	Description:	By:	Approved:
FR 2.0	8/30/2018	ISSUED FOR REVIEW 2.0 - UPDATED PER P. E. L. REDLINES DATED 8/29/2018	WR	JY
FR 3.0	9/4/2018	ISSUED FOR REVIEW 3.0 - UPDATED PER P. E. L. AND ENGINEER REDLINES DATED 8/31/2018	WR	JY
IFC 1.0	9/7/2018	ISSUED FOR CONSTRUCTION	WR	JY
AS BUILT	10/25/2018	AS BUILT	WR	JY
			NA	NA
			NA	NA
			NA	NA

DRAWN BY: wrasmsussen
ENGINEERED BY: J.S.Y., M.E.
APPROVED BY: -
DATE: 7/25/2018
PROJECT NO. 217250-1-1
REV. IFC 1.0

DRAWING NO. M-40
SHT 40 OF 45

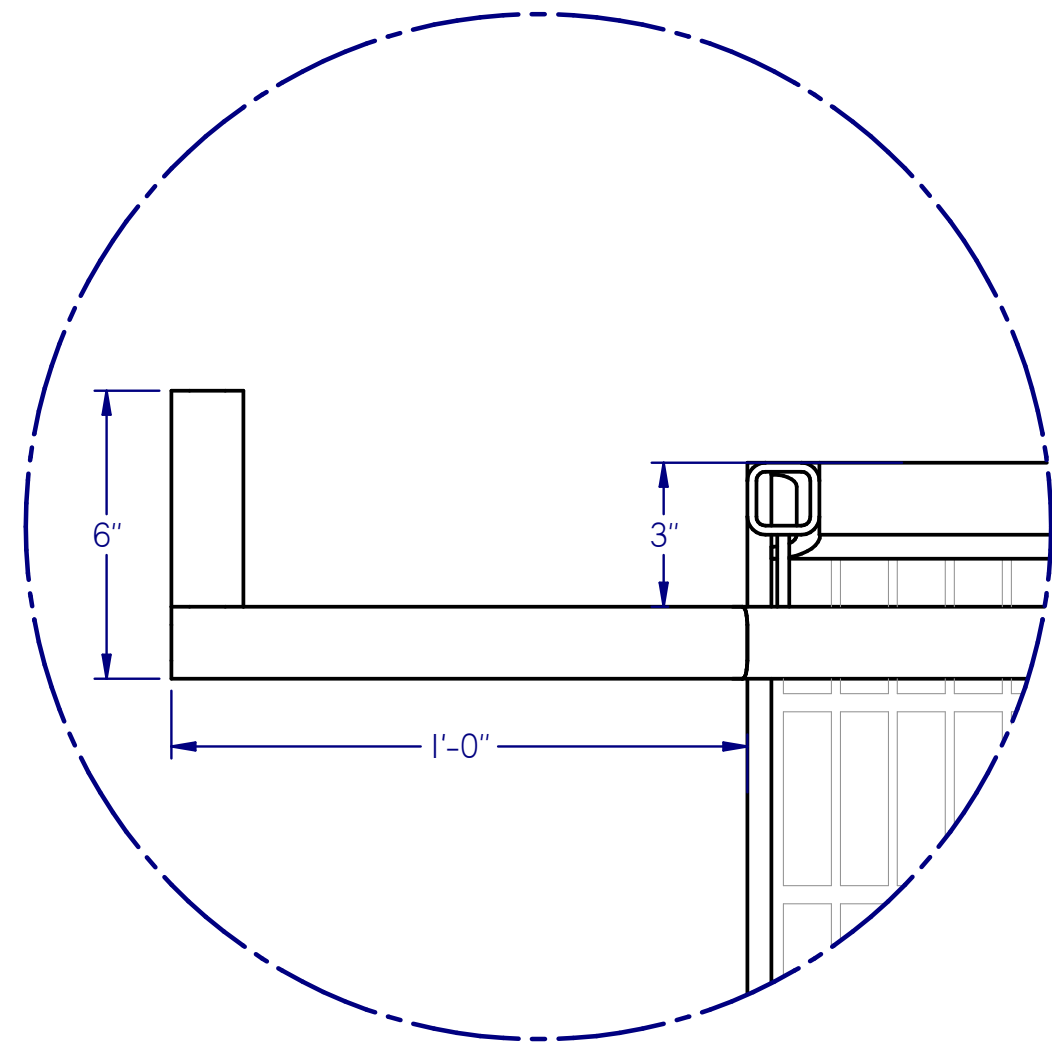


1511 SOUTH HIGHWAY 6, PRICE, UT 84501
PHONE: (435) 637-7160 FAX: (435) 637-9601
8221 EAST 96TH AVE, UNIT A, HENDERSON, CO 80640
PHONE: (720) 409-1000
100 VALLEY DRIVE, SOUTHPOINT, OH 45680
PHONE: (740) 414-4770 FAX: (606) 644-0432
400 SWAN AVENUE, CENTRALIA, IL 62801
PHONE: (618) 214-1063 FAX: (606) 644-0442

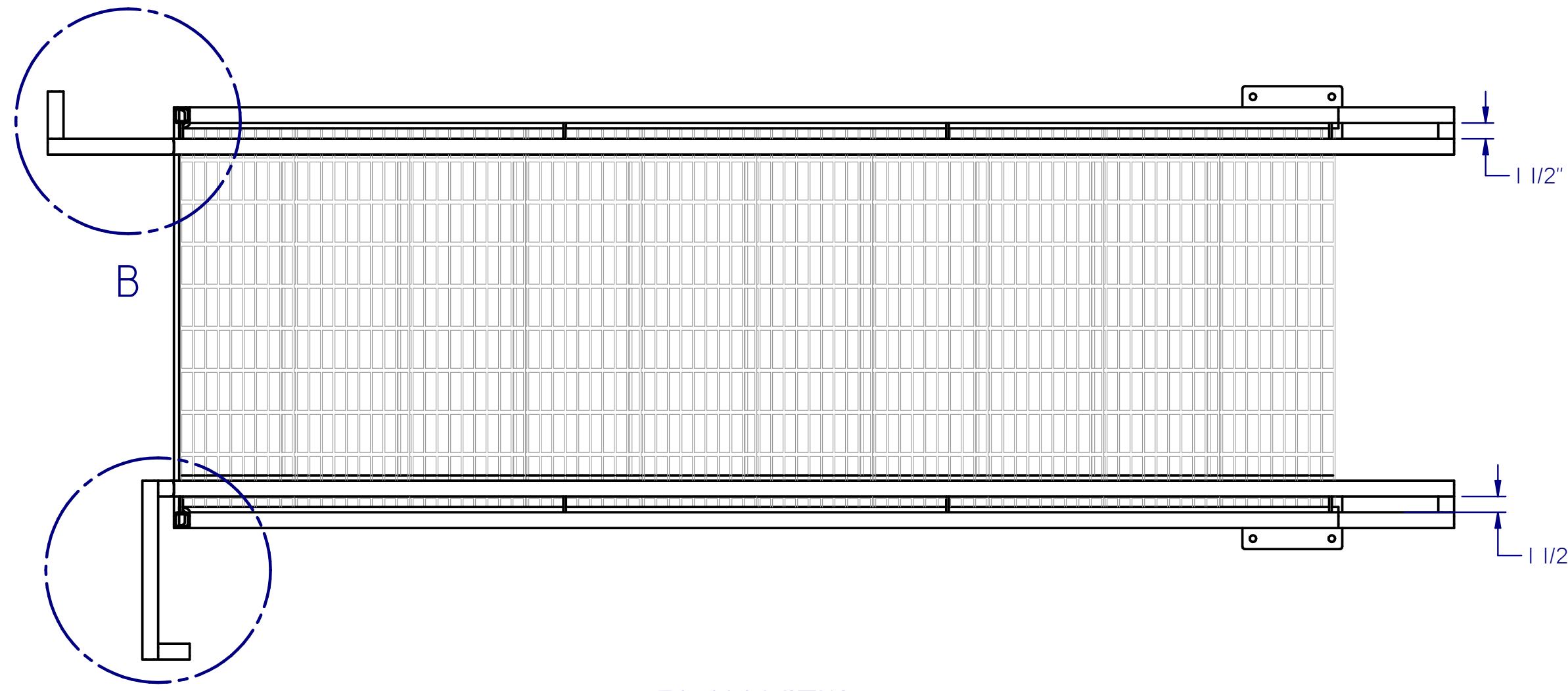


PARTS LIST ON SHEET M-42

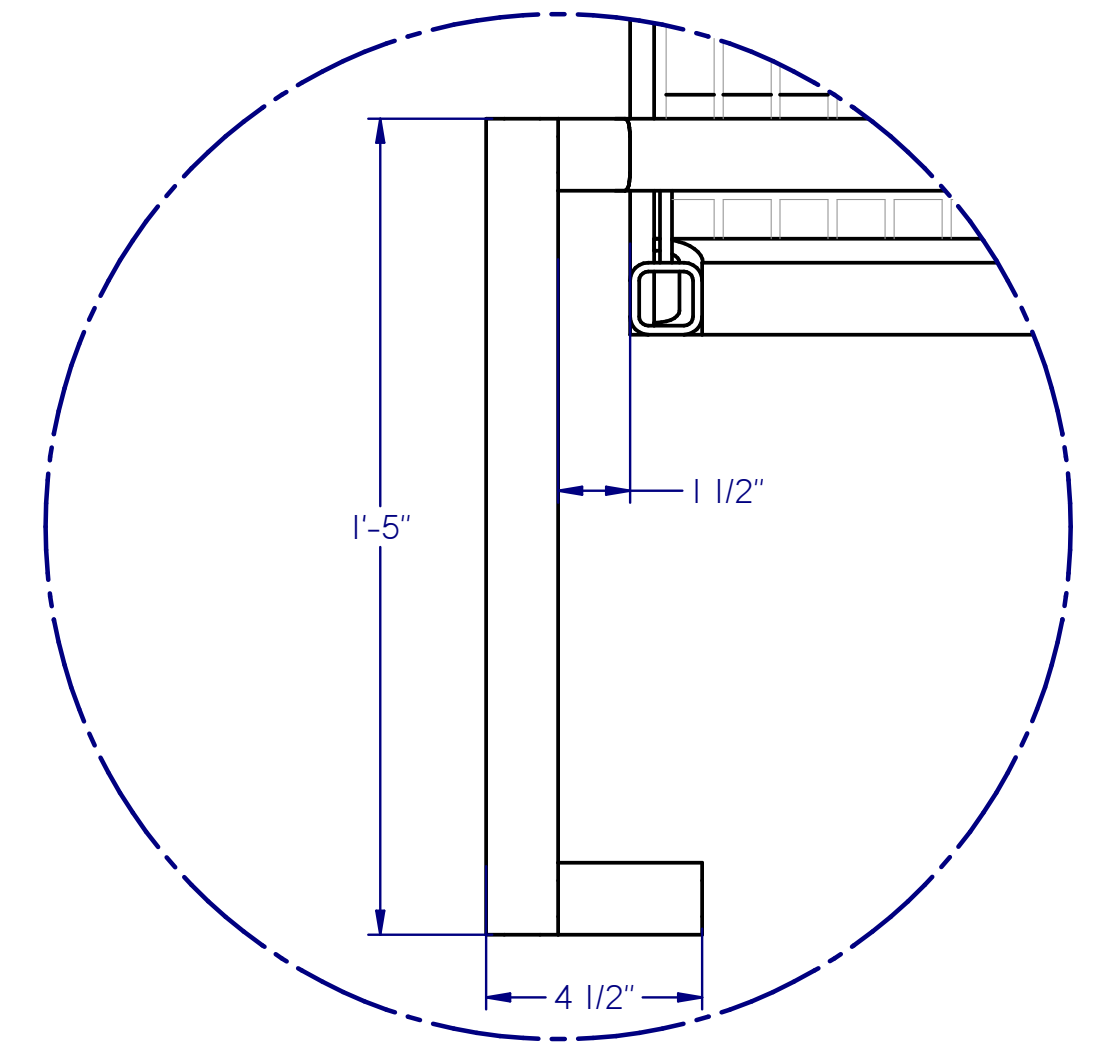
⑥ RS STAIR RUN (1,250 LBS)
1 EACH



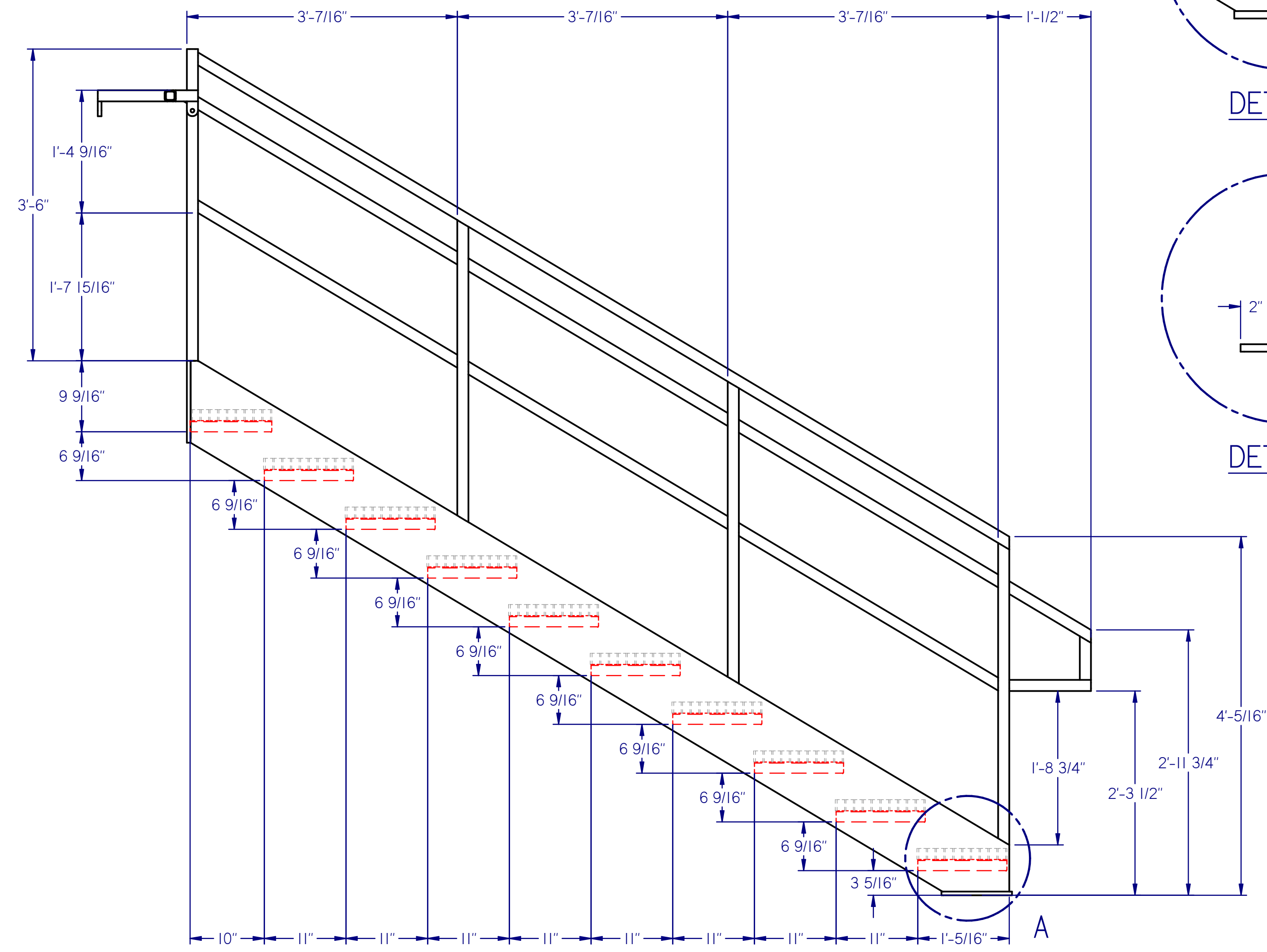
DETAIL B



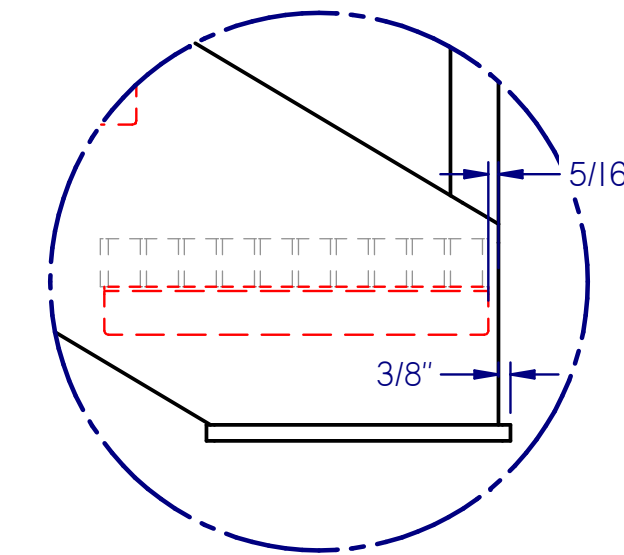
PLAN VIEW



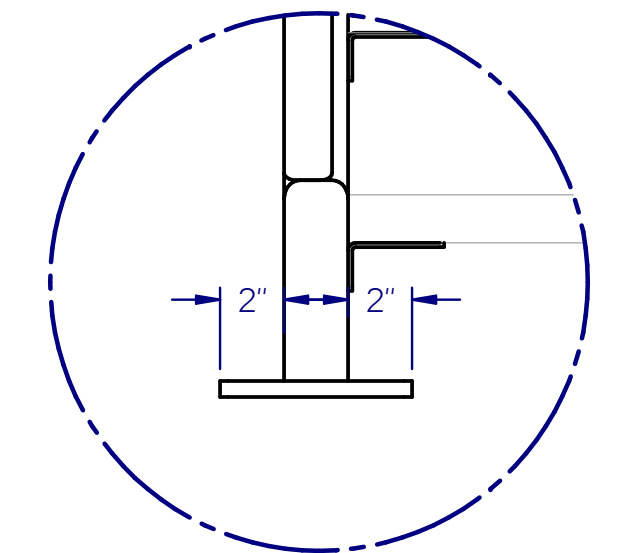
DETAIL A



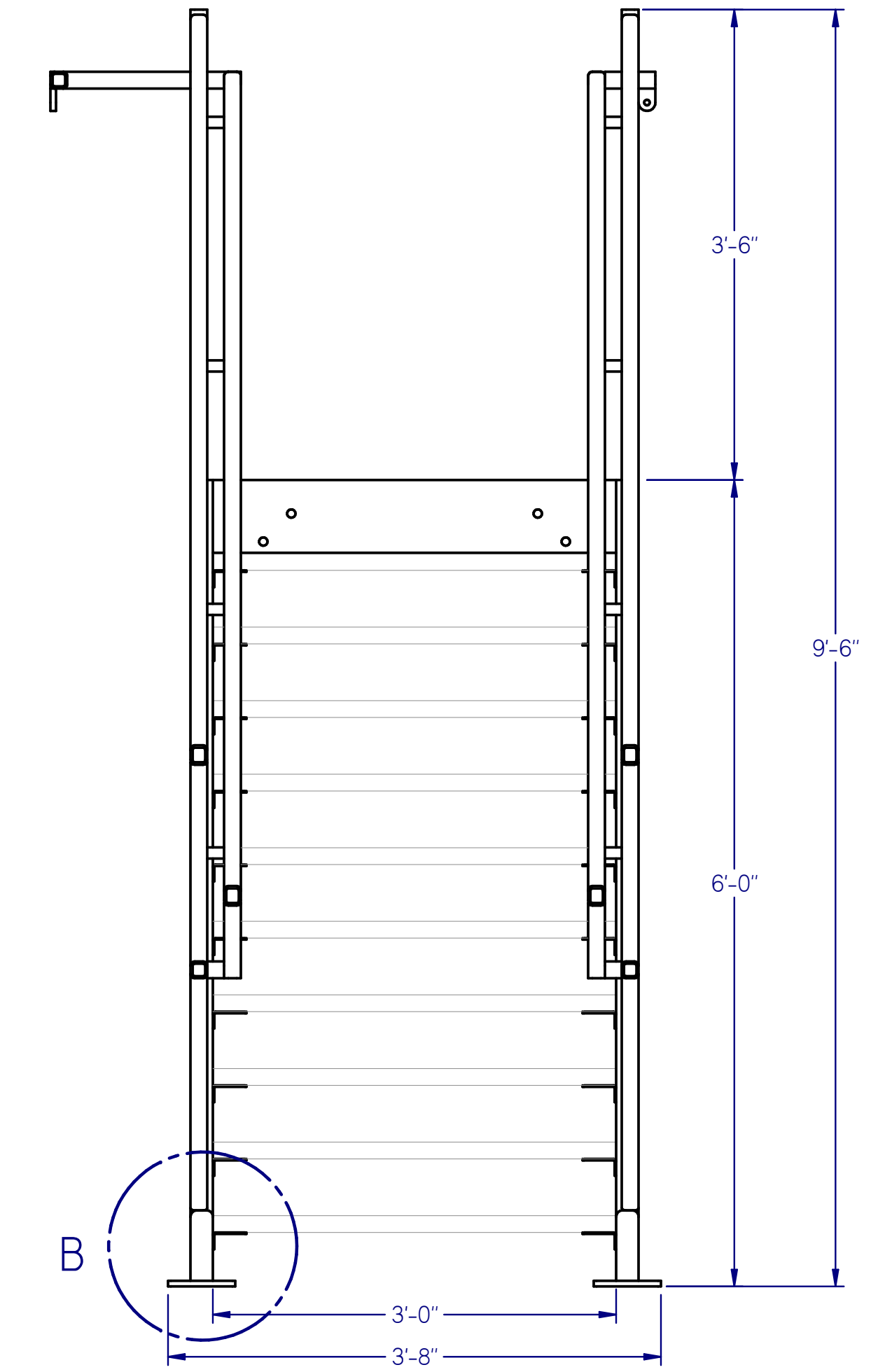
SIDE VIEW



DETAIL A



DETAIL B



FRONT VIEW

AS BUILT

PDC ENERGY
PDC-1000
RS STAIR RUN

REVISIONS

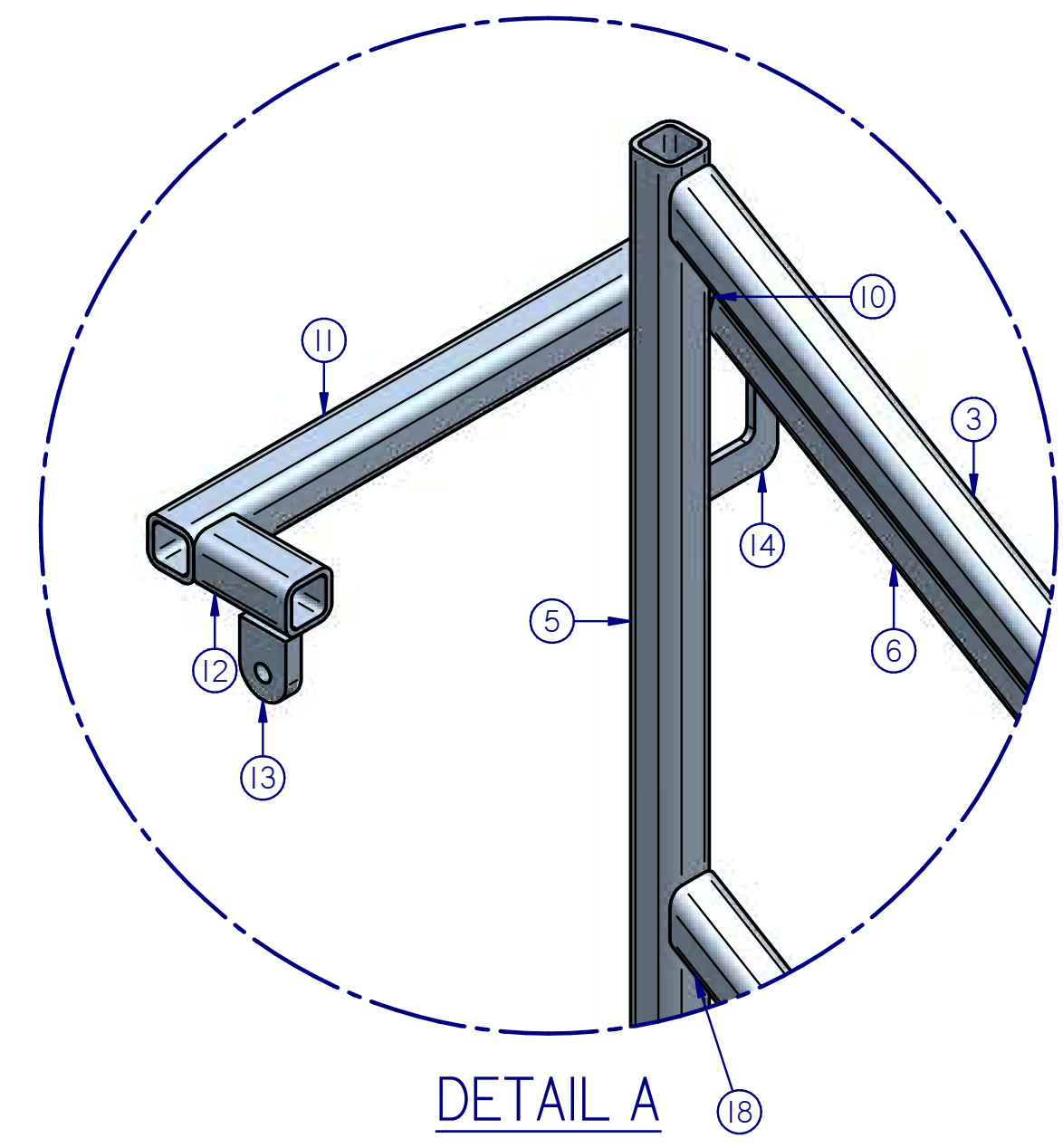
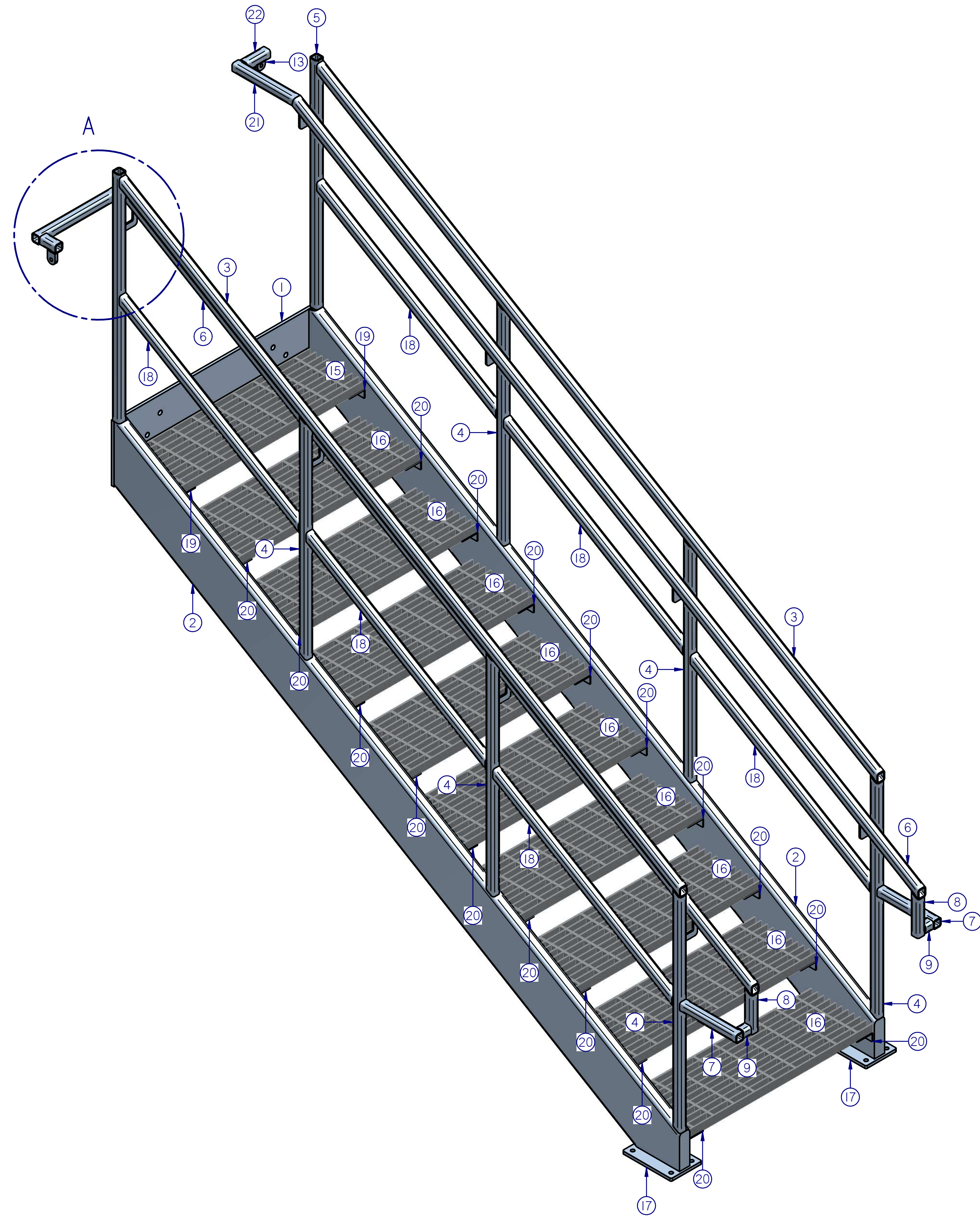
Rev:	Date:	Description:	By:	Approved:
FR 2.0	8/30/2018	ISSUED FOR REVIEW 2.0 - UPDATED PER P. E. L. REDLINES DATED 8/29/2018	WR	JY
FR 3.0	9/4/2018	ISSUED FOR REVIEW 3.0 - UPDATED PER P. E. L. AND ENGINEER REDLINES DATED 8/31/2018	WR	JY
IFC 1.0	9/7/2018	ISSUED FOR CONSTRUCTION	WR	JY
AS BUILT	10/25/2018	AS BUILT	WR	JY
			NA	NA
			NA	NA
			NA	NA

DRAWN BY: wrasmussen
 ENGINEERED BY: J.S.Y., M.E.
 APPROVED BY: -
 DATE: 7/25/2018
 PROJECT NO. 217250-1-1
 REV. IFC 1.0

DRAWING NO. **M-41**
 SHT 41 OF 45

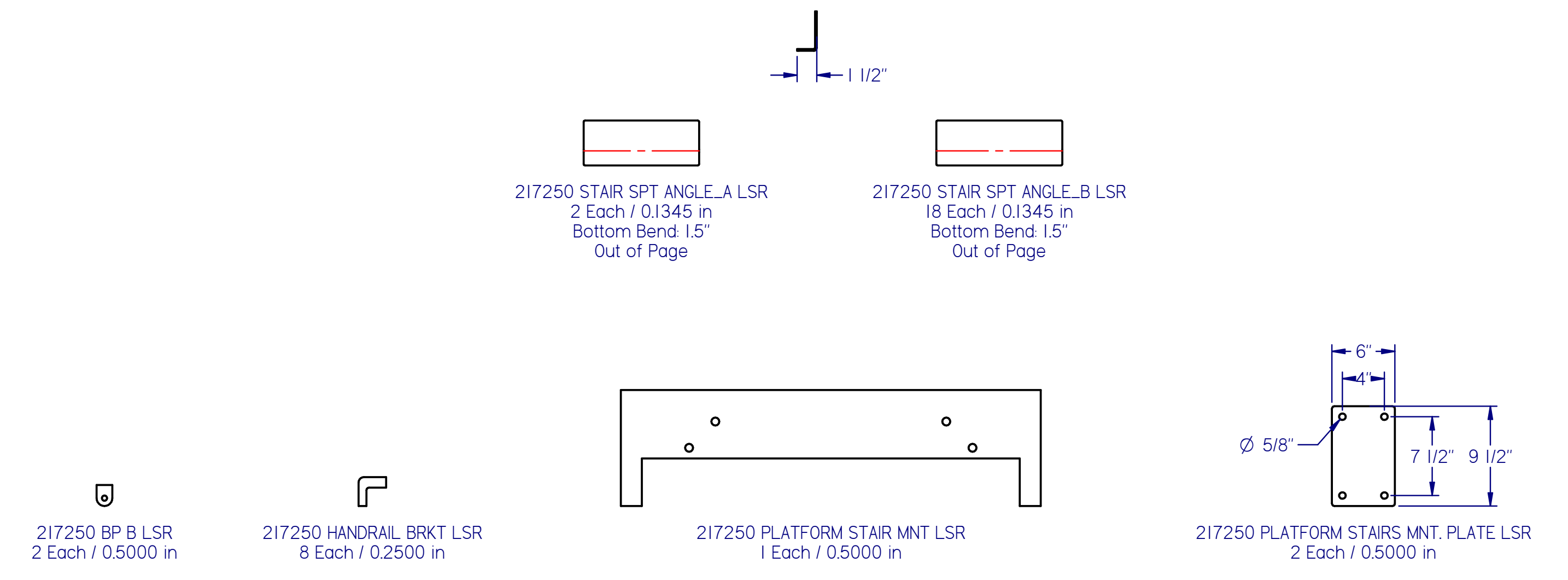


1511 SOUTH HIGHWAY 6, PRICE, UT 84501
 PHONE: (435) 637-7160 FAX: (435) 637-9601
 8221 EAST 96TH AVE, UNIT A, HENDERSON, CO 80640
 PHONE: (720) 409-1000
 100 VALLEY DRIVE, SOUTHPOINT, OH 45680
 PHONE: (740) 414-4770 FAX: (606) 644-0432
 400 SWAN AVENUE, CENTRALIA, IL 62801
 PHONE: (618) 214-1063 FAX: (606) 644-0442



RS STAIR RUN PARTS LIST		
Item Number	Quantity	File Name
1	1	217250 PLATFORM STAIR MNT LSR
2	2	217250 Section_ASTM_A500_2009_in_10.0x2.00x0.1875_v12.00
3	2	217250 Section_Q_CSW_I_112x1_112x0.188_v9.00_18
4	6	217250 Section_Q_CSW_I_112x1_112x0.188_v9.00_13
5	2	217250 Section_Q_CSW_I_112x1_112x0.188_v9.00_10
6	2	217250 Section_Q_CSW_I_112x1_112x0.188_v9.00_15
7	2	217250 Section_Q_CSW_I_112x1_112x0.188_v9.00_11
8	2	217250 Section_Q_CSW_I_112x1_112x0.188_v9.00_17
9	2	217250 Section_Q_CSW_I_112x1_112x0.188_v9.00_12
10	1	217250 Section_Q_CSW_I_112x1_112x0.188_v9.00_19
11	1	217250 Section_Q_CSW_I_112x1_112x0.188_v9.00_16
12	1	217250 Section_Q_CSW_I_112x1_112x0.188_v9.00_14
13	2	217250 BP B LSR
14	8	217250 HANDRAIL BRKT LSR
15	1	217250 19-W-4 10.9375IN STAIR TREAD
16	9	217250 19-W-4 12.125IN STAIR TREAD
17	2	217250 PLATFORM STAIRS MNT. PLATE LSR
18	6	217250 Section_Q_CSW_I_112x1_112x0.188_v9.00_23
19	2	217250 STAIR SPT ANGLE_A LSR
20	18	217250 STAIR SPT ANGLE_B LSR
21	1	217250 Section_Q_CSW_I_112x1_112x0.188_v9.00_20
22	1	217250 Section_Q_CSW_I_112x1_112x0.188_v9.00_21

CUT LIST DETAILS ON SHEET M-43



AS BUILT

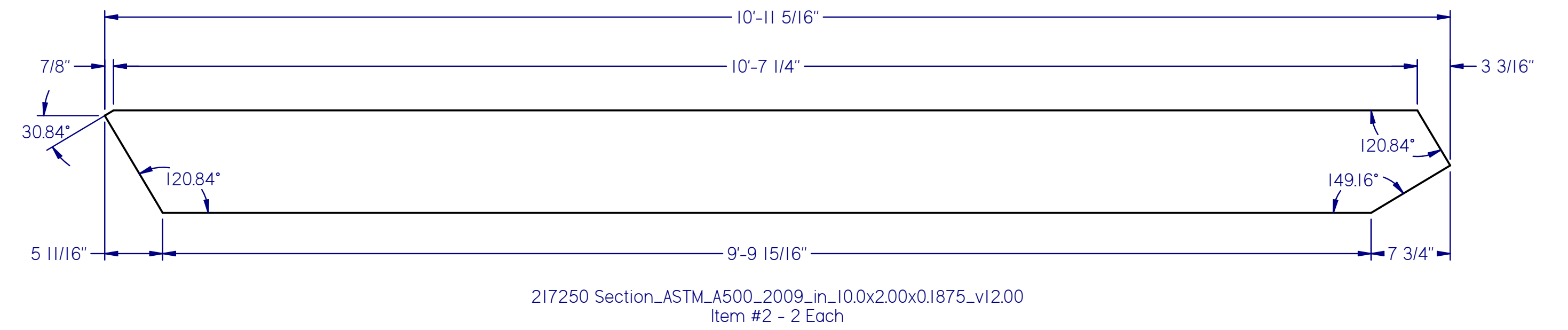
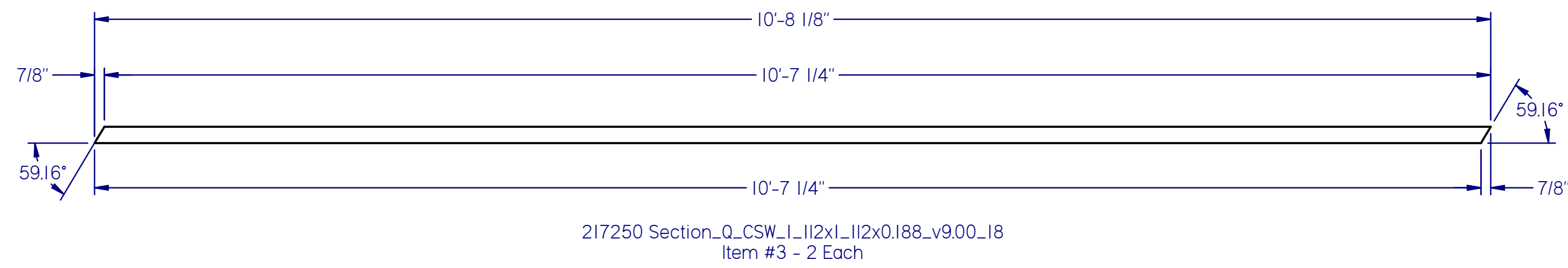
PDC ENERGY
PDC-1000
RS STAIR RUN PARTS LIST

REVISIONS				
Rev:	Date:	Description:	By:	Approved:
FR 2.0	8/30/2018	ISSUED FOR REVIEW 2.0 - UPDATED PER P. E. L. REDLINES DATED 8/29/2018	WR	JY
FR 3.0	9/4/2018	ISSUED FOR REVIEW 3.0 - UPDATED PER P. E. L. AND ENGINEER REDLINES DATED 8/31/2018	WR	JY
IFC 1.0	9/7/2018	ISSUED FOR CONSTRUCTION	WR	JY
AS BUILT	10/25/2018	AS BUILT	WR	JY
			NA	NA
			NA	NA
			NA	NA

DRAWN BY: wrasmussen
 ENGINEERED BY: J.S.Y., M.E.
 APPROVED BY: _____
 DATE: 7/25/2018
 PROJECT NO. 217250-1-1 REV. IFC 1.0

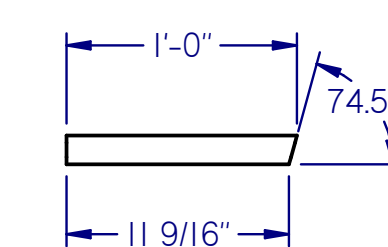
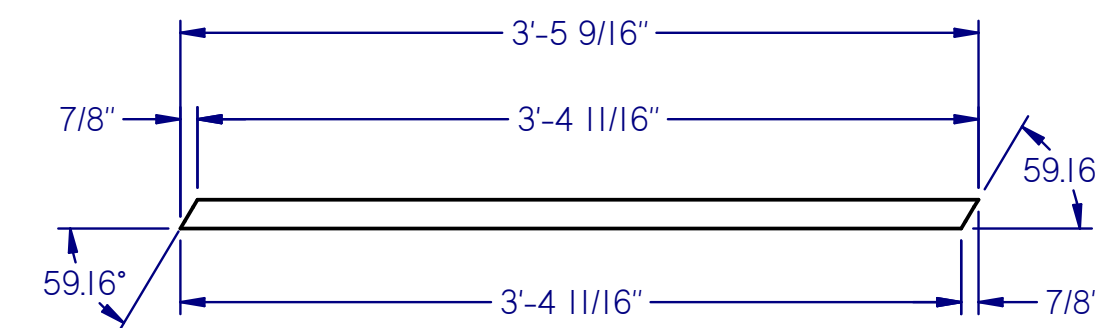
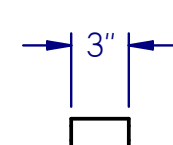
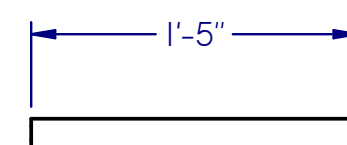
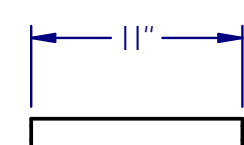
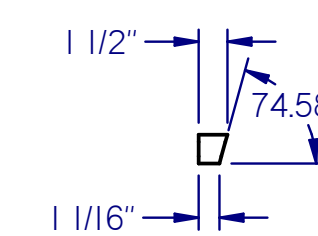
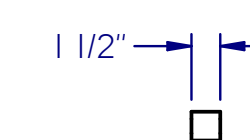
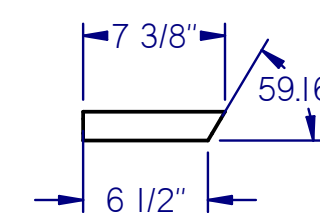
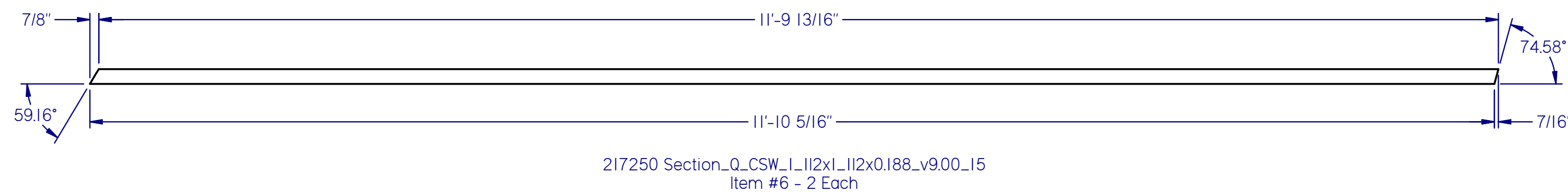
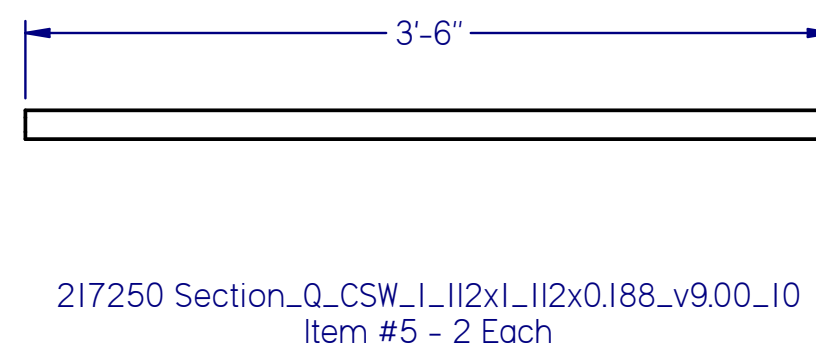
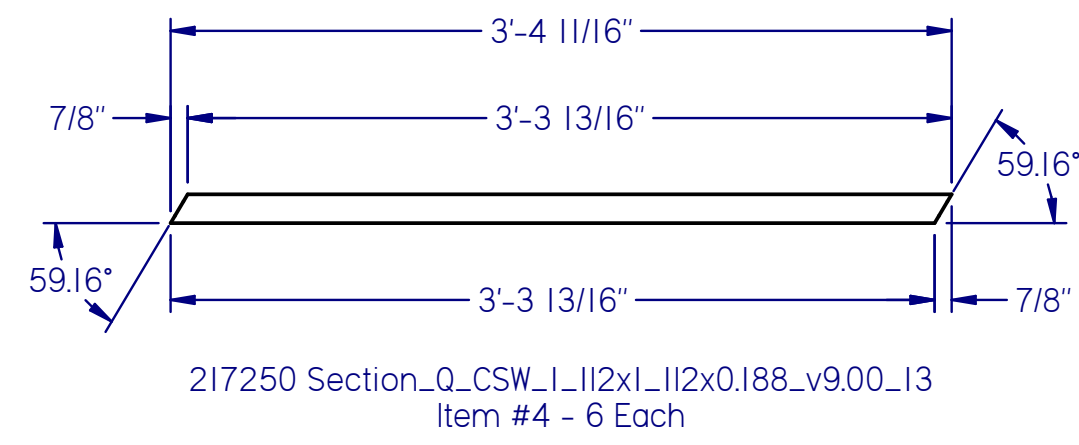
DRAWING NO. M-42
 SHT 42 OF 45

1511 SOUTH HIGHWAY 6, PRICE, UT 84501
 PHONE: (435) 637-7160 FAX: (435) 637-9601
 8221 EAST 96TH AVE, UNIT A, HENDERSON, CO 80640
 PHONE: (720) 409-1000
 100 VALLEY DRIVE, SOUTHPOINT, OH 45680
 PHONE: (740) 414-4770 FAX: (606) 644-0432
 400 SWAN AVENUE, CENTRALIA, IL 62801
 PHONE: (618) 214-1063 FAX: (606) 644-0442



NOTE: USE TEMPLATE PROVIDED FOR ITEM #2

RS STAIR RUN CUT LIST		
Item Number	Quantity	File Name
2	2	217250 Section_ASTM_A500_2009_in_10.0x2.00x0.1875_v12.00
3	2	217250 Section_Q_CSW_L_I12xL_I12x0.188_v9.00_18
4	6	217250 Section_Q_CSW_L_I12xL_I12x0.188_v9.00_13
5	2	217250 Section_Q_CSW_L_I12xL_I12x0.188_v9.00_10
6	2	217250 Section_Q_CSW_L_I12xL_I12x0.188_v9.00_15
7	2	217250 Section_Q_CSW_L_I12xL_I12x0.188_v9.00_11
8	2	217250 Section_Q_CSW_L_I12xL_I12x0.188_v9.00_17
9	2	217250 Section_Q_CSW_L_I12xL_I12x0.188_v9.00_12
10	1	217250 Section_Q_CSW_L_I12xL_I12x0.188_v9.00_19
11	1	217250 Section_Q_CSW_L_I12xL_I12x0.188_v9.00_16
12	1	217250 Section_Q_CSW_L_I12xL_I12x0.188_v9.00_14
18	6	217250 Section_Q_CSW_L_I12xL_I12x0.188_v9.00_23
21	1	217250 Section_Q_CSW_L_I12xL_I12x0.188_v9.00_20
22	1	217250 Section_Q_CSW_L_I12xL_I12x0.188_v9.00_21



1511 SOUTH HIGHWAY 6, PRICE, UT 84501
PHONE: (435) 637-7160 FAX: (435) 637-9601
8221 EAST 96TH AVE, UNIT A, HENDERSON, CO 80640
PHONE: (720) 409-1000
100 VALLEY DRIVE, SOUTHPOINT, OH 45680
PHONE: (740) 414-4770 FAX: (606) 644-0432
400 SWAN AVENUE, CENTRALIA, IL 62801
PHONE: (618) 214-1063 FAX: (606) 644-0442

AS BUILT

PDC ENERGY
PDC-1000
RS STAIR RUN CUT LIST

REVISIONS			
Rev:	Date:	Description:	By: / Approved:
FR 2.0	8/30/2018	ISSUED FOR REVIEW 2.0 - UPDATED PER P. E. L. REDLINES DATED 8/29/2018	WR / JY
FR 3.0	9/4/2018	ISSUED FOR REVIEW 3.0 - UPDATED PER P. E. L. AND ENGINEER REDLINES DATED 8/31/2018	WR / JY
IFC 1.0	9/7/2018	ISSUED FOR CONSTRUCTION	WR / JY
AS BUILT	10/25/2018	AS BUILT	WR / JY
			NA / NA
			NA / NA
			NA / NA

DRAWN BY: wrasmussen
ENGINEERED BY: J.S.Y., M.E.
APPROVED BY: -
DATE: 7/25/2018
PROJECT NO. 217250-1-1
REV. IFC 1.0

DRAWING NO. M-43
SHT 43 OF 45

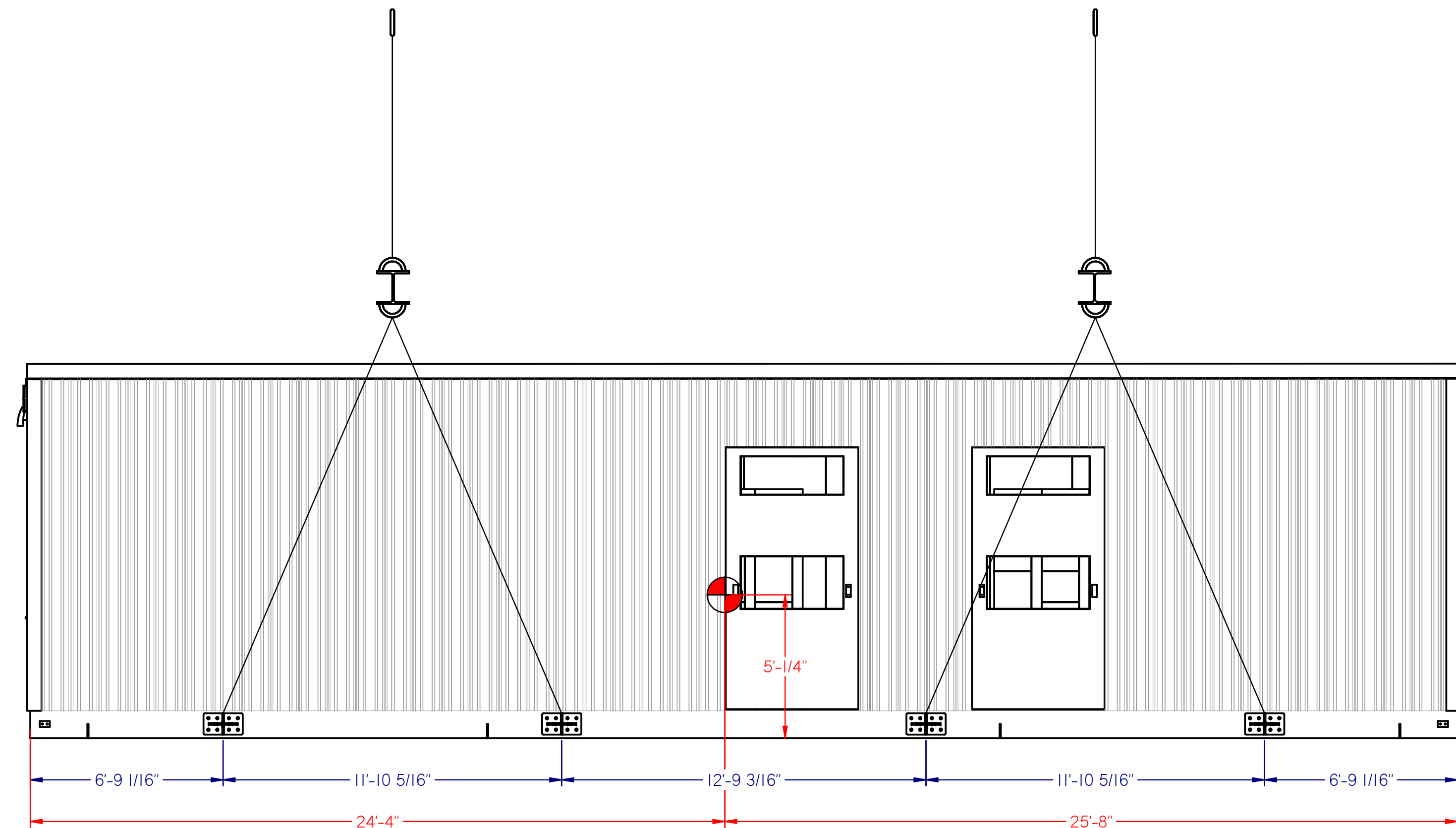
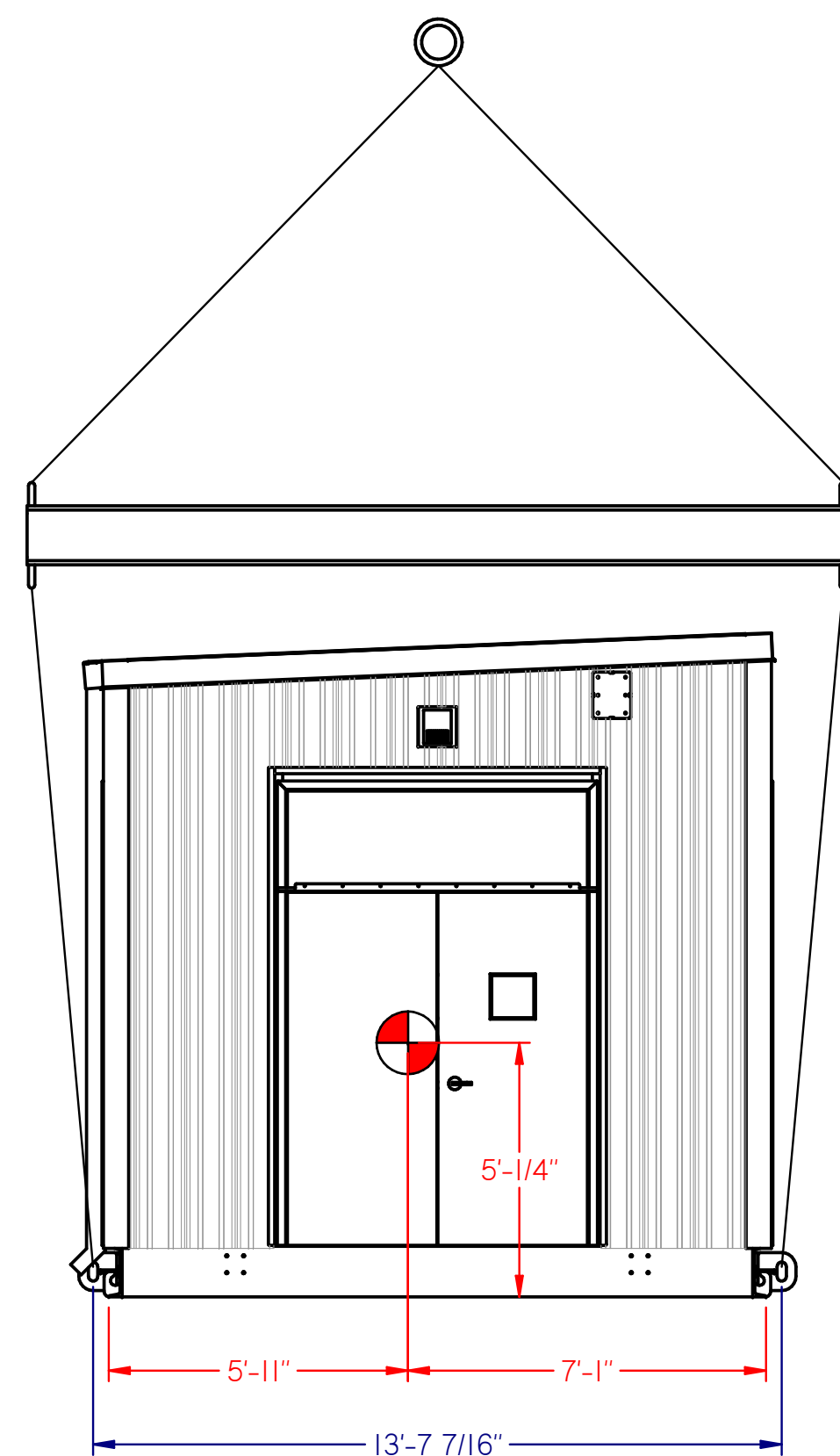
NOTICE: UTILIZE ALL 8 LIFT LOCATIONS USING THE PROVIDED LIFTING EYES. ANGLE OF LIFTING CABLES SHALL NOT EXCEED 30 DEGREES FROM VERTICAL

EXAMPLE FOUR POINT LIFTING PLAN BOTTOM LIFT APPROACH

ESTIMATED BUILDING SHIPPING WEIGHT: 63,500 LBS
(SOME EQUIPMENT WEIGHTS ASSUMED, EXCLUDES ANY FUTURE FIELD INSTALLED EQUIPMENT, CABLE TRAY, SHIP LOOSE HVAC'S, AND PLATFORMS & STAIRS)

This drawing is not to scale, has not been designed, engineered, or tested for any specific building or loading conditions, and is merely a suggested approach to lift an Intermountain Electronics building.

Intermountain Electronics is not responsible for the design, engineering, or testing of any rigging or lifting devices used to lift or move an Intermountain Electronics building.



- 1511 SOUTH HIGHWAY 6, PRICE, UT 84501
PHONE: (435) 637-7160 FAX: (435) 637-9601
- 8221 EAST 96TH AVE, UNIT A, HENDERSON, CO 80640
PHONE: (720) 409-1000
- 100 VALLEY DRIVE, SOUTHPOINT, OH 45680
PHONE: (740) 414-4770 FAX: (606) 644-0432
- 400 SWAN AVENUE, CENTRALIA, IL 62801
PHONE: (618) 214-1063 FAX: (606) 644-0442

AS BUILT

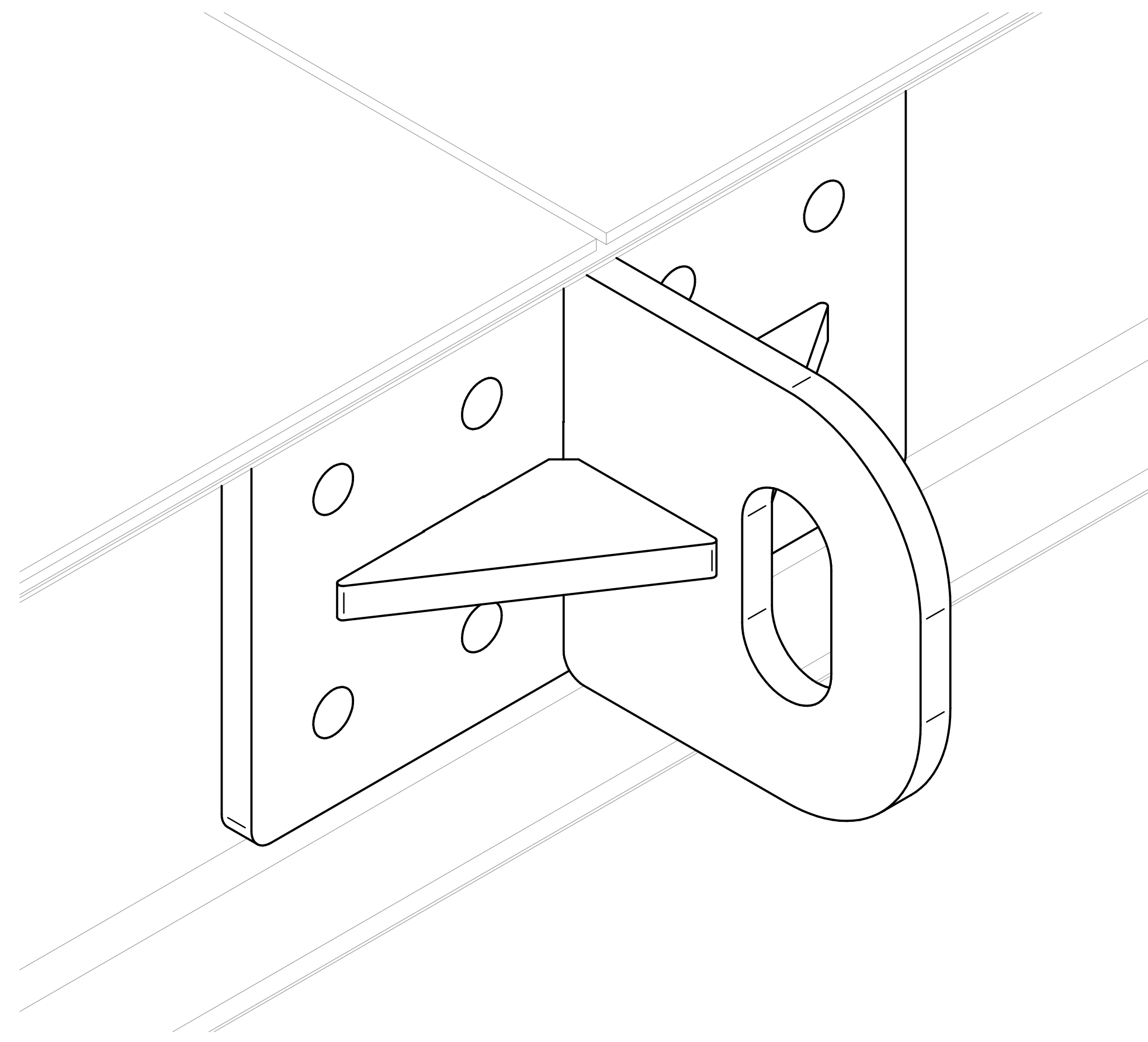
PDC ENERGY
PDC-1000
LIFT PLAN

REVISIONS

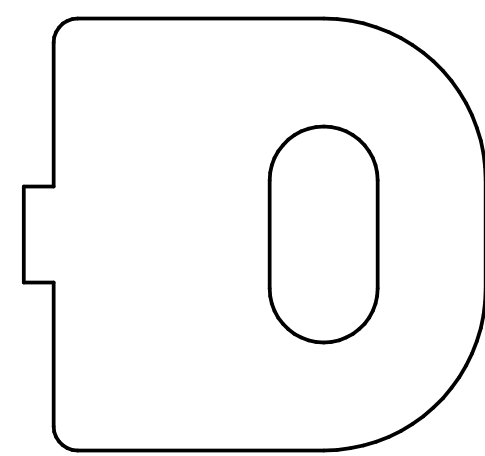
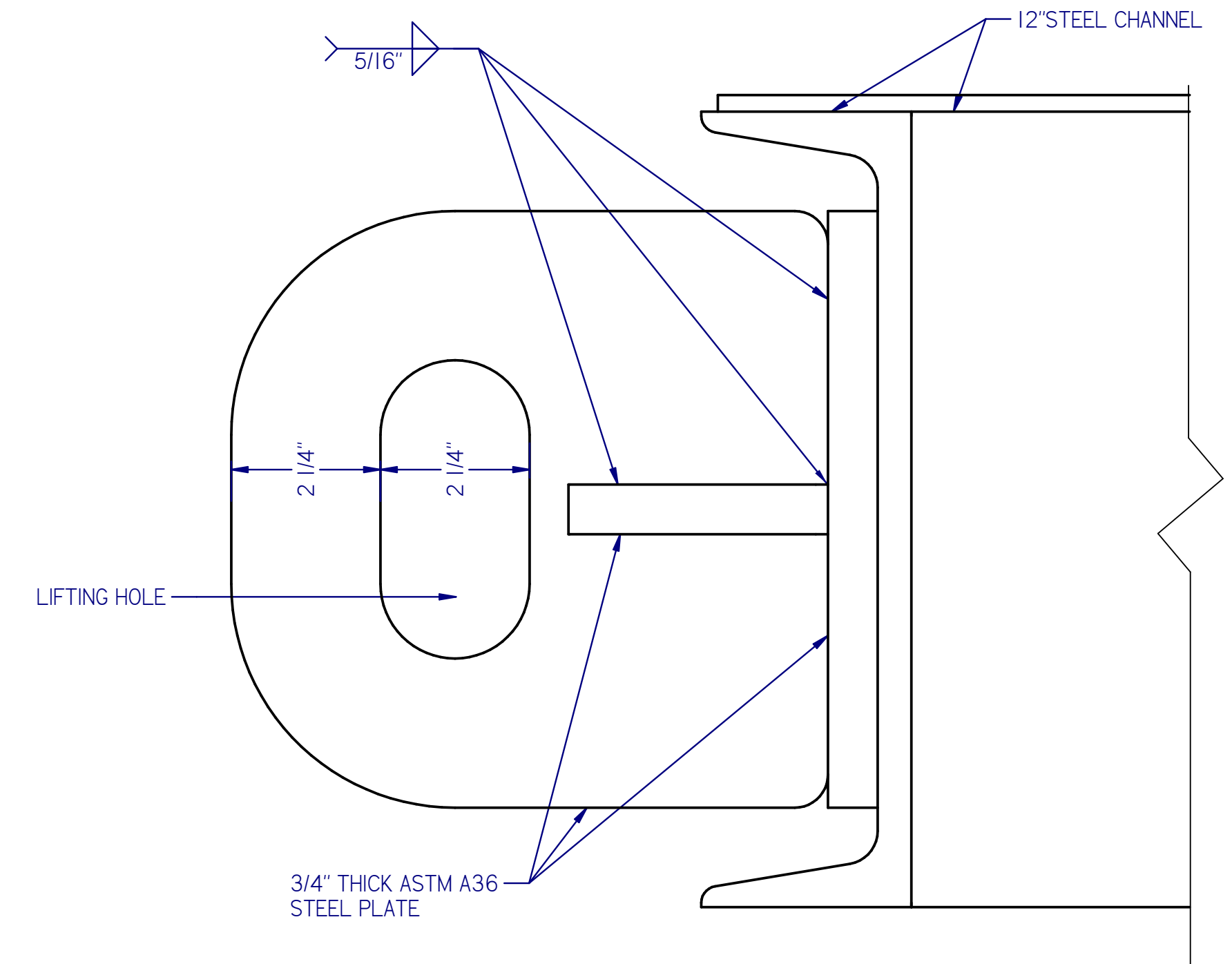
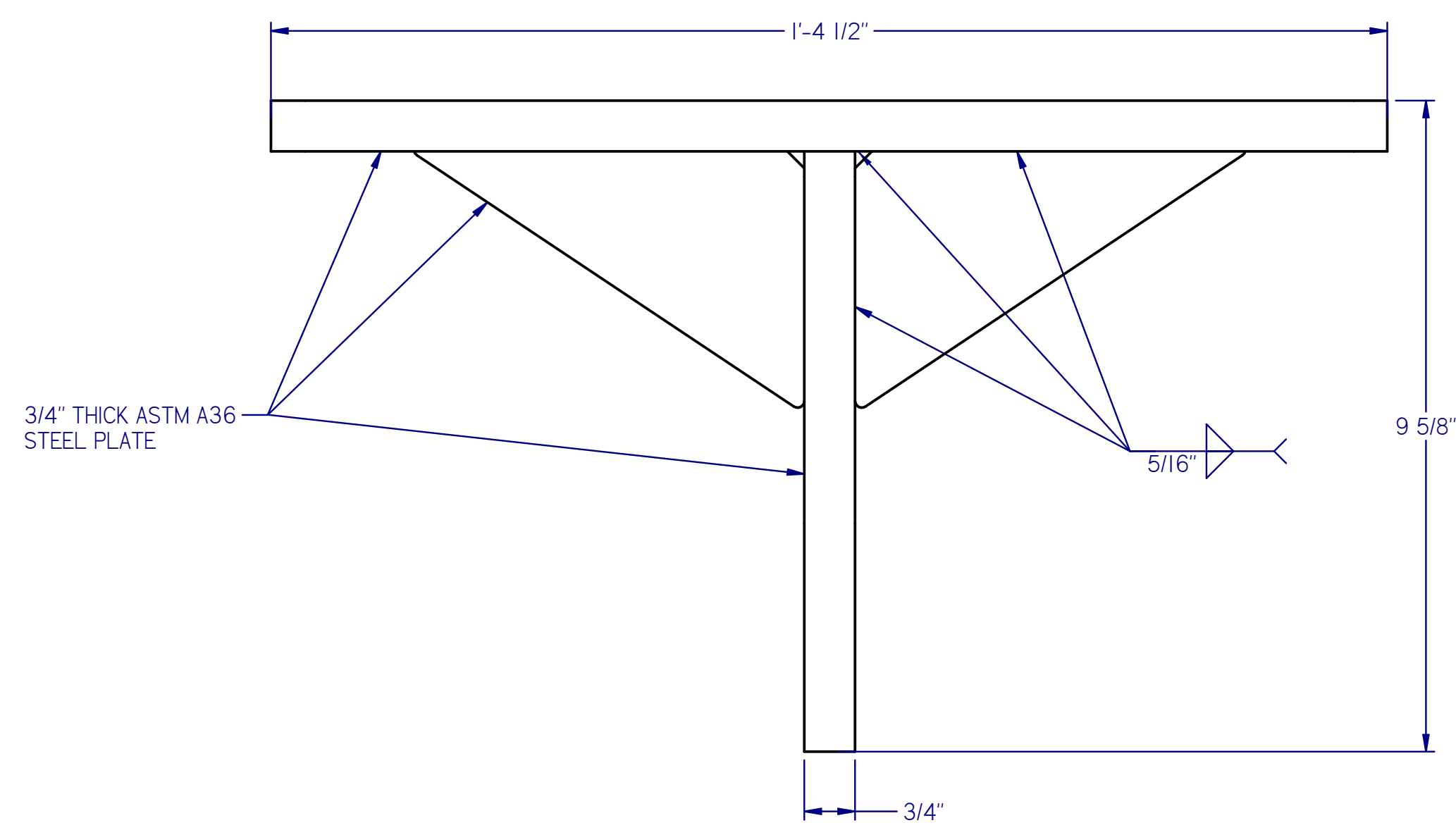
Rev:	Date:	Description:	By:	Approved:
FR 2.0	8/30/2018	ISSUED FOR REVIEW 2.0 - UPDATED PER P. E. L. REDLINES DATED 8/29/2018	WR	JY
FR 3.0	9/4/2018	ISSUED FOR REVIEW 3.0 - UPDATED PER P. E. L. AND ENGINEER REDLINES DATED 8/31/2018	WR	JY
IFC 1.0	9/7/2018	ISSUED FOR CONSTRUCTION	WR	JY
AS BUILT	10/25/2018	AS BUILT	NA	NA
			NA	NA
			NA	NA
			NA	NA

DRAWN BY: wrasmussen
 ENGINEERED BY: J.S.Y., M.E.
 APPROVED BY: _____
 DATE: 7/25/2018
 PROJECT NO. 217250-1-1 REV. IFC 1.0

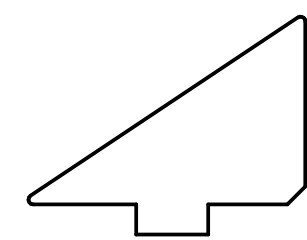
DRAWING NO. M-44
 SHT 44 OF 45



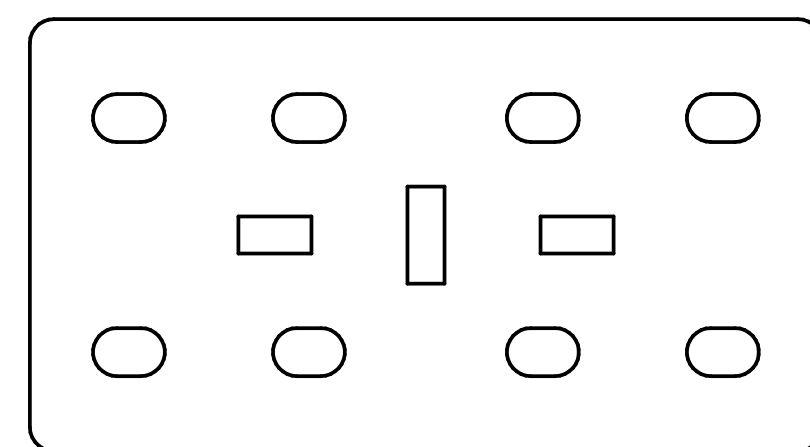
LIFTING LUG ISOMETRIC



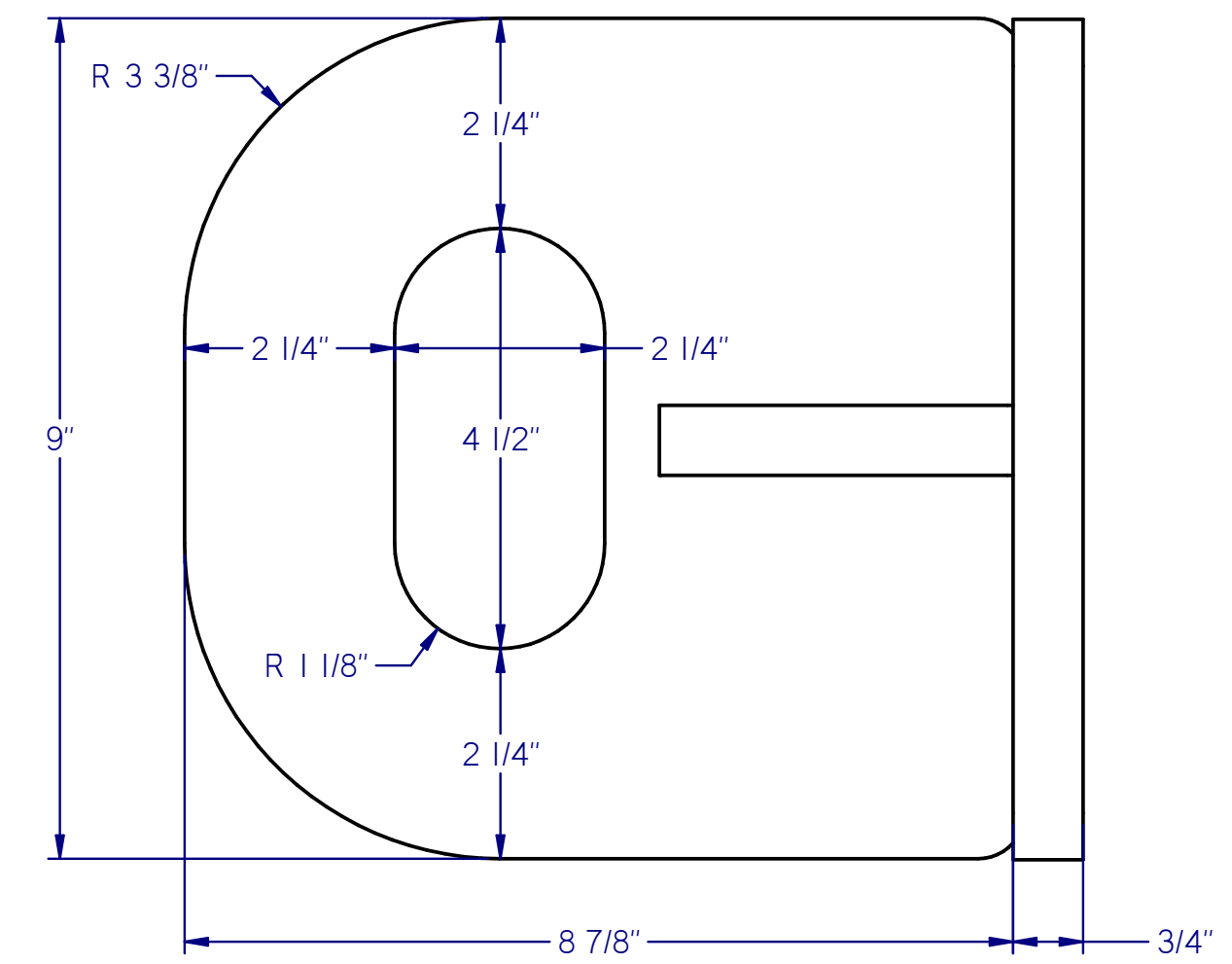
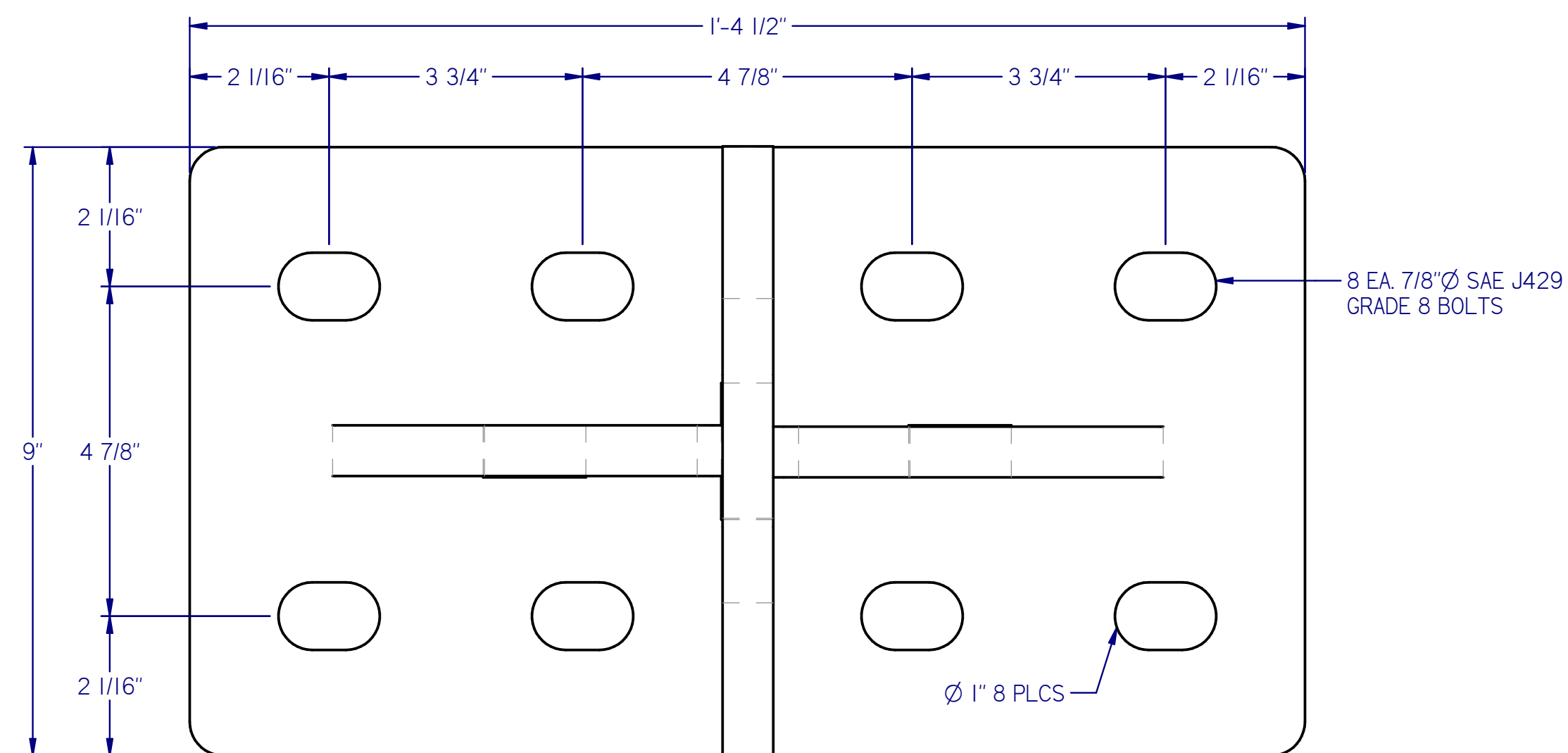
LIFTING EYE LSR
1 Each / 0.7500 in.



12 INCH CHANNEL LIFTING GUSSET
2 Each / 0.7500 in.



LIFTING EYE BASE LSR
1 Each / 0.7500 in.



AS BUILT

PDC ENERGY
PDC-1000
LIFTING EYE DETAIL

REVISIONS

Rev:	Date:	Description:	By:	Approved:
FR 2.0	8/30/2018	ISSUED FOR REVIEW 2.0 - UPDATED PER P. E. L. REDLINES DATED 8/29/2018	WR	JY
FR 3.0	9/4/2018	ISSUED FOR REVIEW 3.0 - UPDATED PER P. E. L. AND ENGINEER REDLINES DATED 8/31/2018	WR	JY
IFC 1.0	9/7/2018	ISSUED FOR CONSTRUCTION	WR	JY
AS BUILT	10/25/2018	AS BUILT	NA	NA
			NA	NA
			NA	NA
			NA	NA

DRAWN BY: wrasmussen
 ENGINEERED BY: J.S.Y., M.E.
 APPROVED BY: -
 DATE: 7/25/2018
 PROJECT NO. 217250-1-1 REV. IFC 1.0

DRAWING NO. M-45
 SHT 45 OF 45



1511 SOUTH HIGHWAY 6, PRICE, UT 84501
 PHONE: (435) 637-7160 FAX: (435) 637-9601
 8221 EAST 96TH AVE, UNIT A, HENDERSON, CO 80640
 PHONE: (720) 409-1000
 100 VALLEY DRIVE, SOUTHPOINT, OH 45680
 PHONE: (740) 414-4770 FAX: (606) 644-0432
 400 SWAN AVENUE, CENTRALIA, IL 62801
 PHONE: (618) 214-1063 FAX: (606) 644-0442

www.intermountainelectronics.com