

**V-100**  
**INLET SEPARATOR**  
 VENDOR: RJV  
 SIZE: 406mm O.D. x 1524mm S/S  
 DESIGN: 9928 kPag @ -29/38°C  
 C.A.: 1.6mm

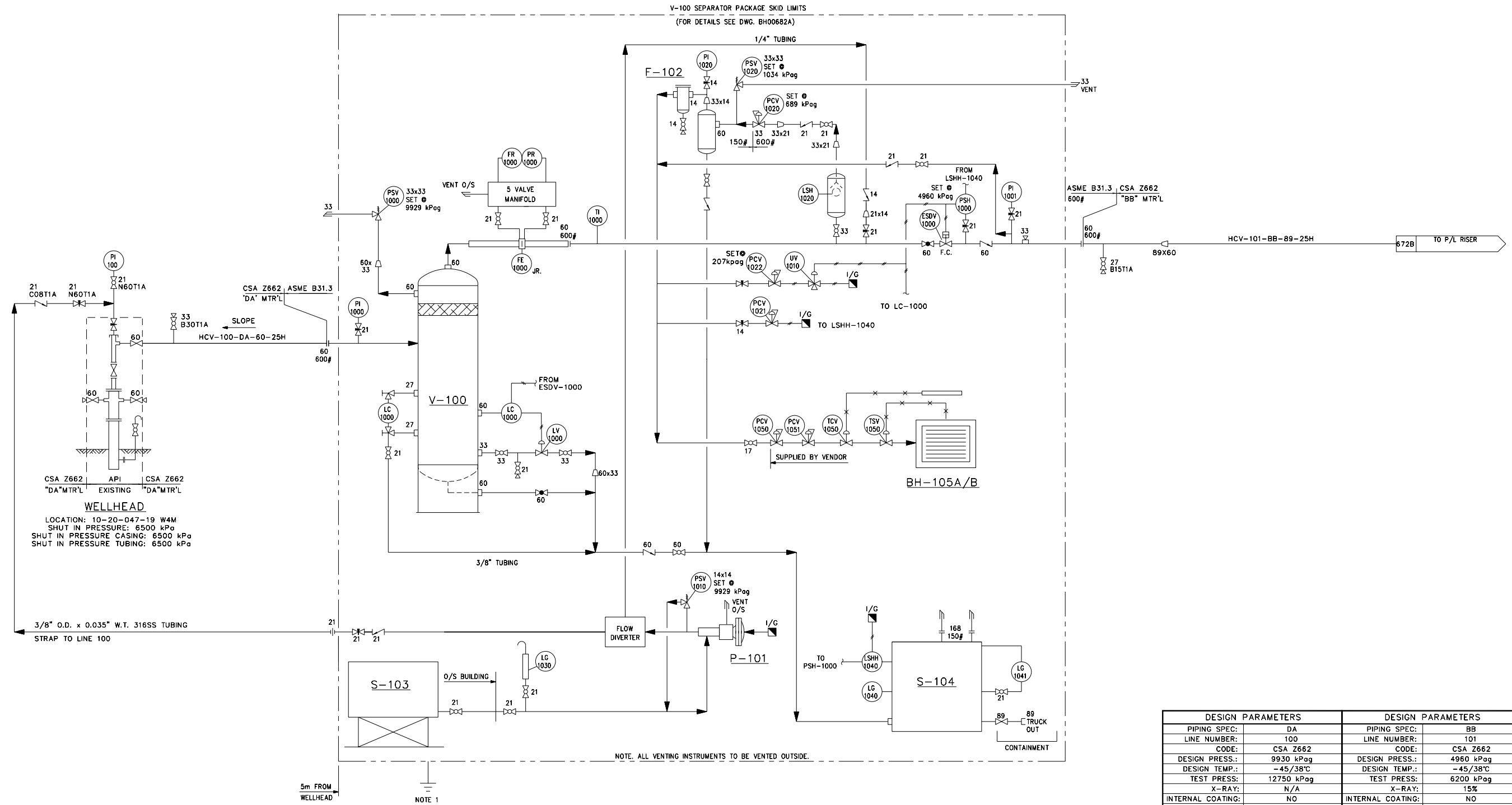
**P-111**  
**METHANOL INJECTION PUMP**  
 VENDOR: RJV  
 MAKE/MODEL: BRUIN BR5103LP-1511  
 DESIGN: 10342 kPa  
 CAPACITY: 64 LPD (16.8 GPD)  
 PLUNGER: 3/8"

**F-112**  
**COALESCING FILTER**  
 VENDOR: RJV  
 MAKE/MODEL: FLODR/G-10A-1-B  
 DESIGN: 1034 kPa

**S-113**  
**METHANOL STORAGE TANK**  
 VENDOR: RJV  
 MAKE/MODEL: WESTEEL/DUAL WALLED  
 CAPACITY: 1893 L (500 GAL)

**S-114**  
**STORAGE TANK**  
 VENDOR: RJV  
 MAKE/MODEL: WESTEEL/DUAL WALLED  
 CAPACITY: 15000 L (100 BBL)

**BH-115/116**  
**BUILDING HEATER**  
 VENDOR: RJV  
 MAKE/MODEL: CATADYNE/Bx24"x24"  
 DUTY: 24,000 BTU/HR  
 START: 12 VDC



**NOTES:**  
 1. GROUND SKID PACKAGE WITH 3m LONG GROUNDING ROD, #2 AWG WIRE AND HEAVY DUTY CLAMP.

DESIGN PARAMETERS		DESIGN PARAMETERS	
PIPING SPEC:	DA	PIPING SPEC:	BB
LINE NUMBER:	100	LINE NUMBER:	101
CODE:	CSA Z662	CODE:	CSA Z662
DESIGN PRESS.:	9930 kPag	DESIGN PRESS.:	4960 kPag
DESIGN TEMP.:	-45/38°C	DESIGN TEMP.:	-45/38°C
TEST PRESS.:	12750 kPag	TEST PRESS.:	6200 kPag
X-RAY:	N/A	X-RAY:	15%
INTERNAL COATING:	NO	INTERNAL COATING:	NO
EXTERNAL COATING:	NO	EXTERNAL COATING:	YJ1 (U/G)
INSULATION:	25H	INSULATION:	25H
TRACING:	NO	TRACING:	NO
P.W.H.T.:	NO	P.W.H.T.:	NO
PAINT:	PER ENC-Y-1	PAINT:	PER ENC-Y-1
SAND BLAST:	PER ENC-Y-2	SAND BLAST:	PER ENC-Y-2

**ENCANA**

DOMINION COMP. STN. 04-35  
 04-35-048-18 W4M

WELLSITE  
 10-20-047-19 W4M  
 NTS (A1 Size) EPCM No. 1375

EXCELSIOR ENGINEERING LTD.  
 PIPING AND INSTRUMENTATION DIAGRAM  
 WELLHEAD & SEPARATOR PACKAGE

BRUCE HOLDEN  
 A BH00672A

REFERENCE DRAWINGS	DWG. NO.	NO.	DATE	PROJECT DESCRIPTION	PROJ.	AFE	EPCM Co.	EPCM No.	APPD.	ISSUE STAGE	DATE	BY	CHKD.	APPD.	PERMIT STAMP	ENGINEER'S STAMP
		1	06.03.28	DOMCAN JV 2006 WELL TIE-IN PROJECT		0670094	EXCELSIOR	1375		Approval	06.07.18	CDC				
										Bid						
										Constr.	06.07.19	CDC				
										As-built	06.11.16	BC				

**CAUTION: READ BEFORE EXCAVATION**  
 NOT WITHSTANDING INFORMATION PROVIDED BY ENCANA IN ANY FORM, THE CONTRACTOR SHALL UTILIZE ELECTRIC LOCATING EQUIPMENT TO LOCATE UNDERGROUND PIPING AND ELECTRICAL WIRING ETC., PRIOR TO HAND EXCAVATION. ONCE ALL UNDERGROUND FACILITIES HAVE BEEN HAND EXCAVATED THE CONTRACTOR SHALL RECHECK, WITH ELECTRONIC LOCATING EQUIPMENT, THE ENTIRE WORK AREA TO BE MECHANICALLY EXCAVATED TO ENSURE THAT NO FACILITIES HAVE BEEN MISSED.

