

V-100
INLET SEPARATOR
 VENDOR: RJV
 SIZE: 406mm O.D. x 1524mm S/S
 DESIGN: 9928 kPag @ -29/38°C
 C.A.: 1.6mm

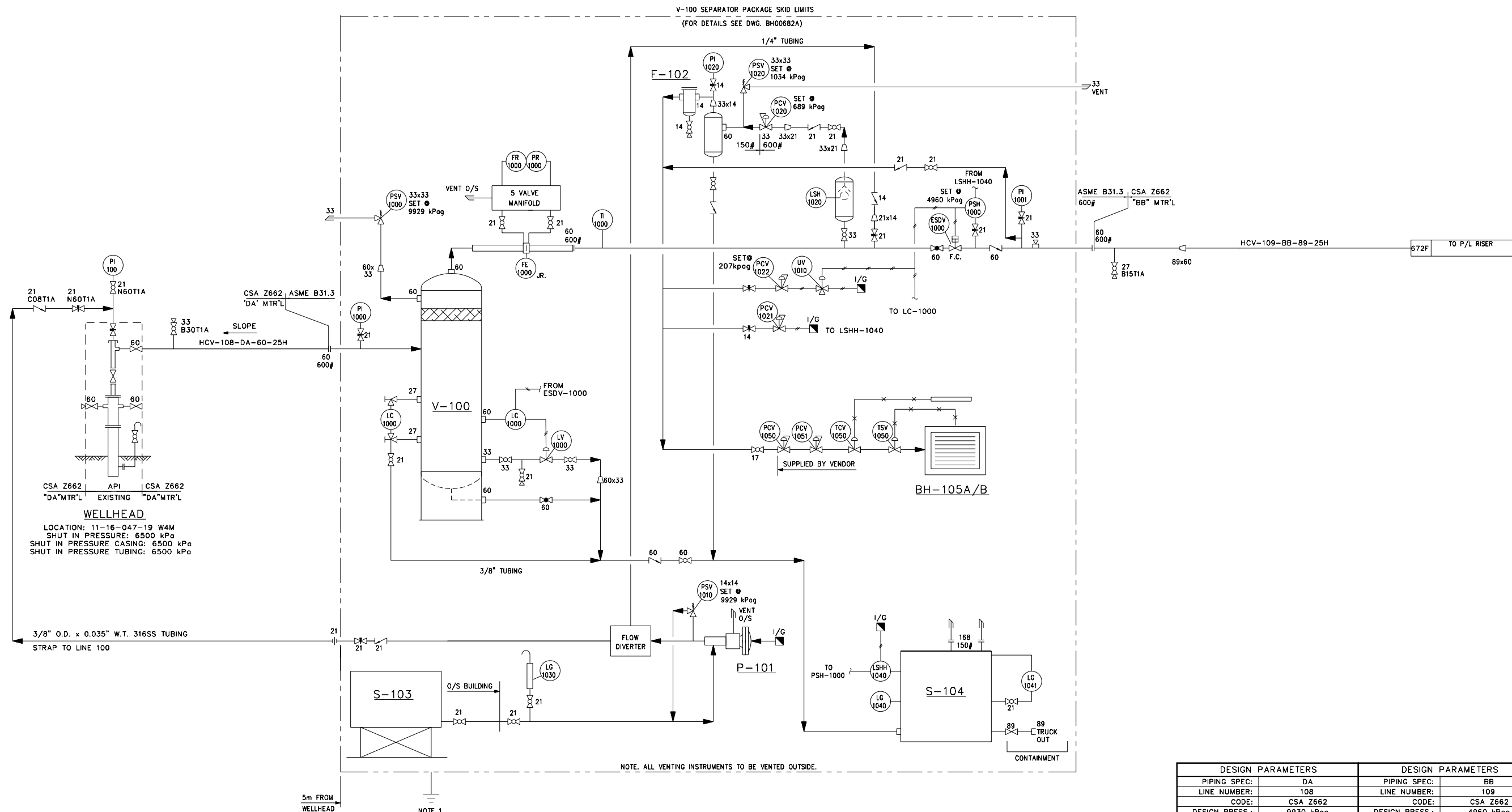
P-111
METHANOL INJECTION PUMP
 VENDOR: RJV
 MAKE/MODEL: BRUIN BR5103LP-1511
 DESIGN: 10342 kPa
 CAPACITY: 64 LPD (16.8 GPD)
 PLUNGER: 3/8"

F-112
COALESCING FILTER
 VENDOR: RJV
 MAKE/MODEL: FLODR/G-10A-1-B
 DESIGN: 1034 kPa

S-113
METHANOL STORAGE TANK
 VENDOR: RJV
 MAKE/MODEL: WESTEEL/DUAL WALLED
 CAPACITY: 1893 L (500 GAL)

S-114
STORAGE TANK
 VENDOR: RJV
 MAKE/MODEL: WESTEEL/DUAL WALLED
 CAPACITY: 15000 L (100 BBL)

BH-115/116
BUILDING HEATER
 VENDOR: RJV
 MAKE/MODEL: CATADYNE/Bx24"x24"
 DUTY: 24,000 BTU/HR
 START: 12 VDC



NOTE: ALL VENTING INSTRUMENTS TO BE VENTED OUTSIDE.

NOTES:
 1. GROUND SKID PACKAGE WITH 3m LONG GROUNDING ROD, #2 AWG WIRE AND HEAVY DUTY CLAMP.

DESIGN PARAMETERS		DESIGN PARAMETERS	
PIPING SPEC:	DA	PIPING SPEC:	BB
LINE NUMBER:	108	LINE NUMBER:	109
CODE:	CSA Z662	CODE:	CSA Z662
DESIGN PRESS.:	9930 kPag	DESIGN PRESS.:	4960 kPag
DESIGN TEMP.:	-45/38°C	DESIGN TEMP.:	-45/38°C
TEST PRESS.:	12713 kPag	TEST PRESS.:	6200 kPag
X-RAY:	N/A	X-RAY:	15%
INTERNAL COATING:	NO	INTERNAL COATING:	NO
EXTERNAL COATING:	NO	EXTERNAL COATING:	YJ1 (U/G)
INSULATION:	25H	INSULATION:	25H
TRACING:	NO	TRACING:	NO
P.W.H.T.:	NO	P.W.H.T.:	NO
PAINT:	PER ENC-Y-1	PAINT:	PER ENC-Y-1
SAND BLAST:	PER ENC-Y-2	SAND BLAST:	PER ENC-Y-2

REFERENCE DRAWINGS	DWG. NO.	NO.	DATE	PROJECT DESCRIPTION	PROJ.	AFE	EPCM Co.	EPCM No.	APPD.	ISSUE STAGE	DATE	BY	CHKD.	APPD.	PERMIT STAMP	ENGINEER'S STAMP
		1	06.03.28	DOMCAN JV 2006 WELL TIE-IN PROJECT		0670094	EXCELSIOR	1375		Approval	06.07.18	CDC				
										Bid						
										Constr.	06.07.19	CDC				
										As-built	06.12.20	AB				

ENCANA

DOMINION COMP. STN. 04-35
 04-35-048-18 W4M

WELLSITE
 11-16-047-19 W4M

SCALE: NTS (A1 Size) EPCM No. 1375

EXCELSIOR ENGINEERING LTD.

PIPING AND INSTRUMENTATION DIAGRAM
 WELLHEAD & SEPARATOR PACKAGE

BRUCE HOLDEN

CLASS FILE NO. A BH00672E

1-MANUALING (ENCANA) AT Size Title Block

