

**V-100**  
**INLET SEPARATOR**  
 VENDOR: RJV  
 SIZE: 406mm O.D. x 1524mm S/S  
 DESIGN: 9928 kPag @ -29/38°C  
 C.A.: 1.6mm

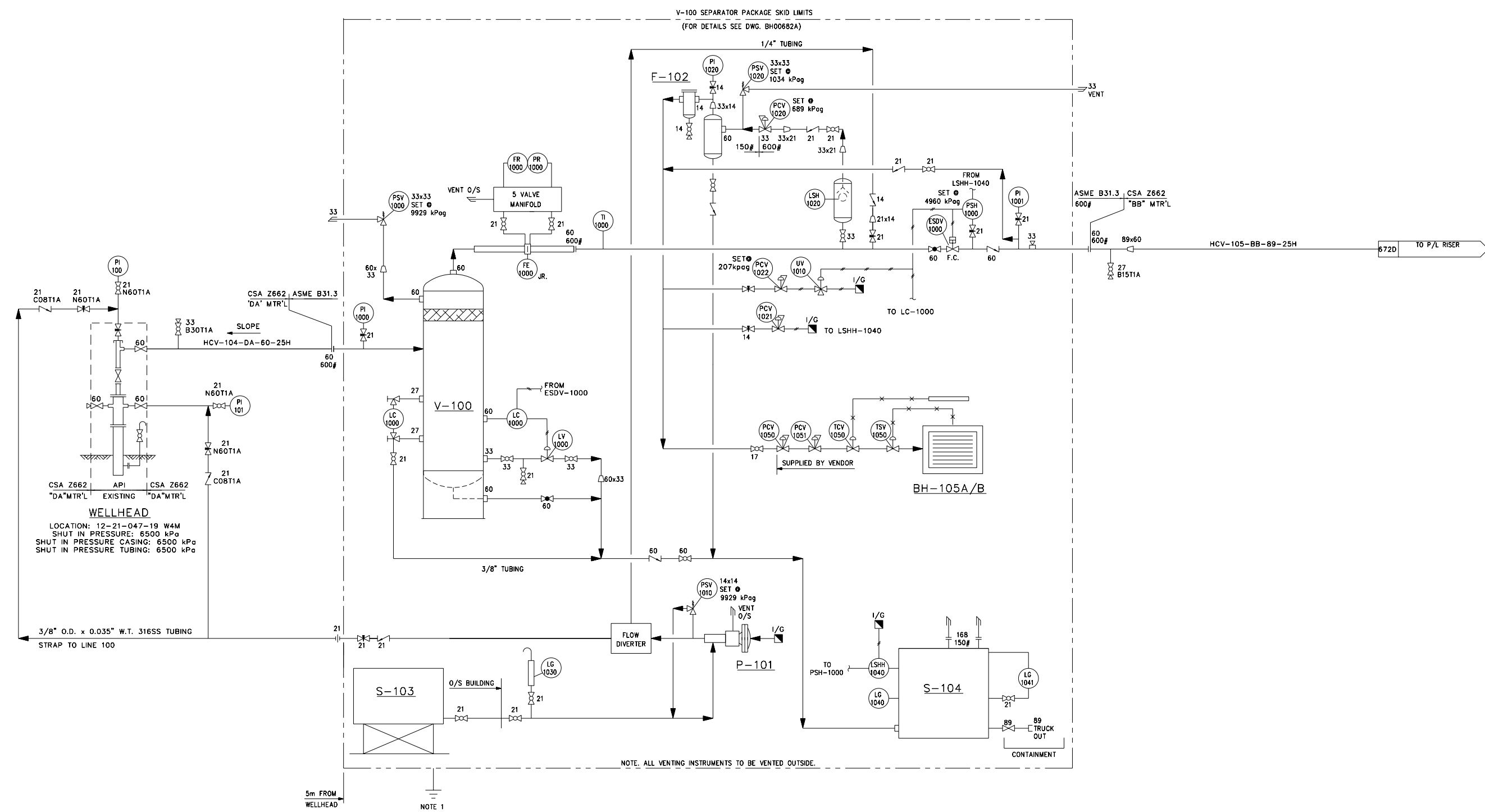
**P-111**  
**METHANOL INJECTION PUMP**  
 VENDOR: RJV  
 MAKE/MODEL: BRUIN BR5103LP-1511  
 DESIGN: 10342 kPa  
 CAPACITY: 64 LPD (16.8 GPD)  
 PLUNGER: 3/8"

**F-112**  
**COALESCING FILTER**  
 VENDOR: RJV  
 MAKE/MODEL: FLODR/G-10A-1-B  
 DESIGN: 1034 kPa

**S-113**  
**METHANOL STORAGE TANK**  
 VENDOR: RJV  
 MAKE/MODEL: WESTEEL/DUAL WALLED  
 CAPACITY: 1893 L (500 GAL)

**S-114**  
**STORAGE TANK**  
 VENDOR: RJV  
 MAKE/MODEL: WESTEEL/DUAL WALLED  
 CAPACITY: 15000 L (100 BBL)

**BH-115/116**  
**BUILDING HEATER**  
 VENDOR: RJV  
 MAKE/MODEL: CATADYNE/Bx24"x24"  
 DUTY: 24,000 BTU/HR  
 START: 12 VDC



**NOTES:**  
 1. GROUND SKID PACKAGE WITH 3m LONG GROUNDING ROD, #2 AWG WIRE AND HEAVY DUTY CLAMP.

REFERENCE DRAWINGS	DWG. NO.	NO.	DATE	PROJECT DESCRIPTION	PROJ.	AFE	EPCM Co.	EPCM No.	APPD.	ISSUE STAGE	DATE	BY	CHKD.	APPD.	PERMIT STAMP	ENGINEER'S STAMP
		1	06.03.28	DOMCAN JV 2006 WELL TIE-IN PROJECT	-	0670094	EXCELSIOR	1375	-	Approval	06.07.18	CDC	-	-		
		-	-	-	-	-	-	-	-	Bid	-	-	-	-		
		-	-	-	-	-	-	-	-	Constr.	06.07.19	CDC	-	-		
		-	-	-	-	-	-	-	-	As-built	06.12.20	AB	-	-		

**CAUTION: READ BEFORE EXCAVATION**  
 NOT WITHSTANDING INFORMATION PROVIDED BY ENCANIA IN ANY FORM, THE CONTRACTOR SHALL UTILIZE ELECTRIC LOCATING EQUIPMENT TO LOCATE UNDERGROUND PIPING AND ELECTRICAL WIRING ETC., PRIOR TO HAND EXCAVATION. ONCE ALL UNDERGROUND FACILITIES HAVE BEEN HAND EXCAVATED THE CONTRACTOR SHALL RECHECK, WITH ELECTRONIC LOCATING EQUIPMENT, THE ENTIRE WORK AREA TO BE MECHANICALLY EXCAVATED TO ENSURE THAT NO FACILITIES HAVE BEEN MISSED.

MARK FAC.	DOMINION COMP. STN. 04-35
BLANK NO.	04-35-048-18 W4M
FAC. TYPE	WELLSITE
SITE NO.	12-21-047-19 W4M
SCALE	NTS (A1 Size)
EPCM No.	1375

**EPCOR** EXCELSIOR ENGINEERING LTD.

TITLE  
**PIPING AND INSTRUMENTATION DIAGRAM  
 WELLHEAD & SEPARATOR PACKAGE**

AREA  
**BRUCE HOLDEN**

CLASS FILE NO.  
**A BH00672C**

T:\ANZ\ENR\DOMCAN\_A1\_Site\_Tie\_In\Bldg\_03

