

Document Title: Equipment Detail Drawings

Document Number: 25472-101-V2A-MTNF-Z0009

Revision Number: 4

PO Number: 4500337398

Material Requisition Number: 25472-101-MRA-MTNF-Z0001

TAG #	122-LKSDE-B0-OST-01
	123-MTRSP-B0-OST-01
	124-OYENS-B0-OST-01
	127-PIAPT-B0-OST-01
	128-GRSSY-B0-OST-01



Westeel a division of Ag Growth International Inc.
 450 Desautels Street
 Winnipeg, Manitoba
 Canada, R2H 3E6
 1-800-665-2099

Rev No.	Rev Date yyyy-mm-dd	Reason for Issue	Contractor Originator	Contractor Reviewer	Contractor Approver
4	Oct 19, 2020	For Approval	Westeel	Scott K	Scott K
3	Sept 30,2020	For Approval	Westeel	Scott K	Scott K
2	Aug 18, 2020	For Approval	Westeel	Scott K	Scott K
1	Aug 12, 2020	For Approval	Westeel	Scott K	Scott K

CODE 1: Work may proceed.



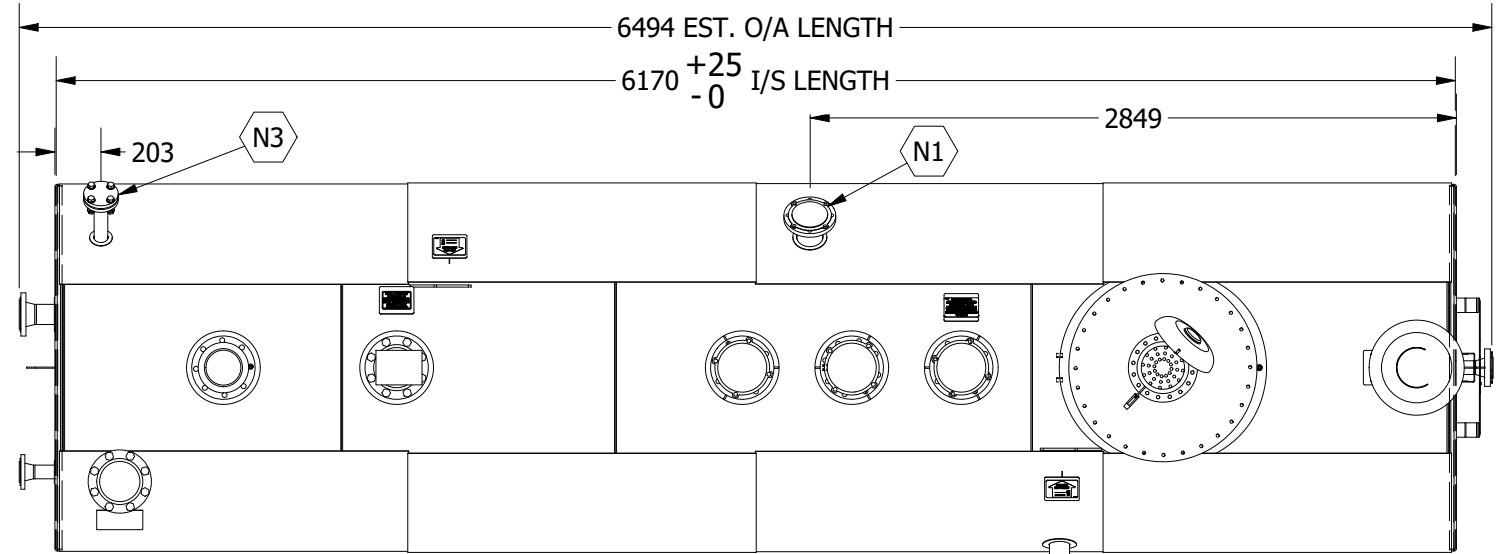
Permission to proceed does not constitute acceptance or approval of design details, calculations, analyses, test methods or materials developed or selected by the supplier and does not relieve the supplier from full compliance with contractual obligations.

Name: Halyna Hutsulyak

Date: 10/29/2020

NOTES:

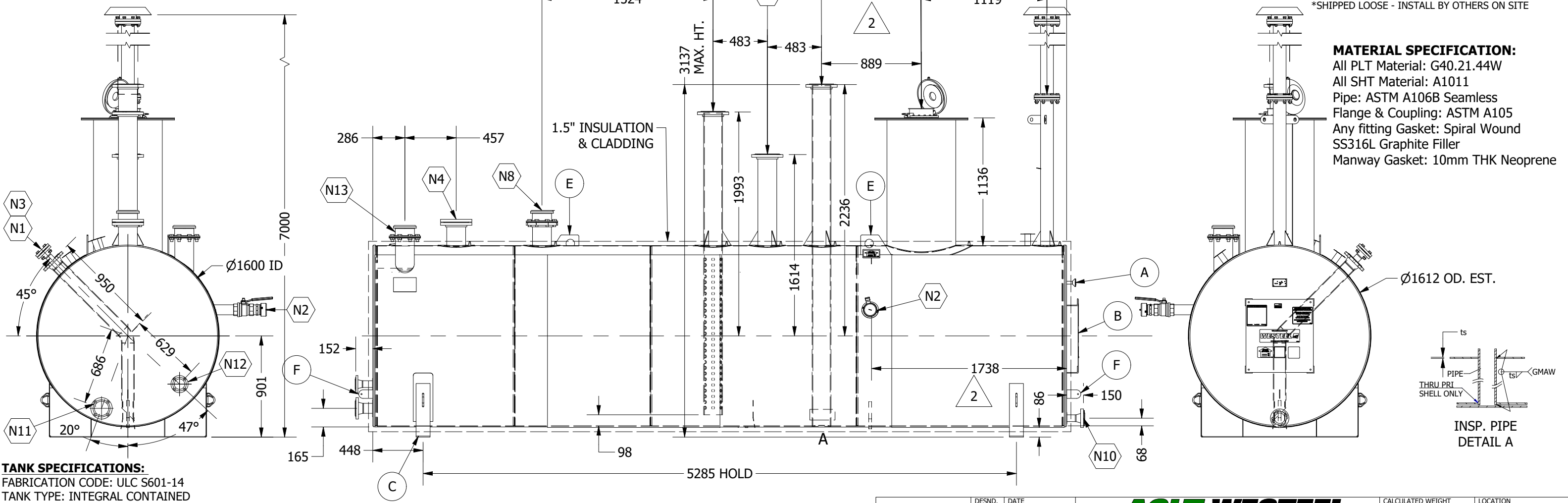
- SEE TANK SPECIFICATIONS.
- PRODUCTION TESTING: 35kPa (5 psi) AIR/SOAP TEST.
- PRIMARY TANK IS A NON-PRESSURE TANK DESIGNED FOR 7kPa MAX WORKING PRESSURE. IN THE EVENT OF AN ACCIDENTAL OVERFILL, THE TANK IS DESIGNED TO WITHSTAND MAX. 70 kPa PER NFCC / CSA B139
- DIMENSIONS & CAPACITY MAY VARY SLIGHTLY DUE TO MANUFACTURING TOLERANCES. ULC ALLOWED GAUGE CHART TOLERANCE +/- 1.25 %
- WELDING PER PLANT CWB PROCEDURES. HEAD SEAM: (NONE - ONE PIECE CONSTRUCTION)
- SHELL CIRC: ULC S1.4 SHELL LONG. ULC S1.2. ALL OTHER EXT. WELDS TO BE SEAL WELDED, NO STITCH WELDS ALLOWED
- DECALS: WESTEEL AND ULC STANDARD DECALS ARE INSTALLED AS REQUIRED.
- EXTERIOR FINISH:
 - BLAST TO SSPC SP 6. WHITE POWDER COAT
 - ELECTRICAL HEAT TRACE PER 25472-100-3PS-EH00-W001
 - 1.5" OF MINERAL WOOL INSULATION & 0.020" STUCCO EMBOSSED ALUMINUM CLADDING
- INTERIOR FINISH:
 - BLAST INTERIOR SSPC-SP10
 - 1 COAT DEVOE BAR-RUST 236 OFF WHITE
 - 1 COAT DEVOE BAR-RUST 236 MEDIUM GREY (MIL'S PER DEVOE SPECIFICATIONS)
- NORMAL VENT AND EMERGENCY VENT MUST BE INSTALLED PRIOR TO USE. BOTH VENTS SUPPLIED BY WESTEEL. NORMAL VENT INSTALLED BY OTHERS TO MEET ALL APPLICABLE INSTALLATION CODES.
- LIFT LUGS ARE MPI TESTED PRIOR TO PAINTING.



MARK	QTY	DESCRIPTION	REMARKS
M1	1	24" MANWAY w/ 8" THIEF HATCH AND SS BASKET	MANWAY
N1	1	4" RFWN #150 w/ SCH40 PIPE	INLET
N2	1	3" SUCTION PIPES w/ BALL VALVE & CAMLOCK QUICK CONNECT	TRUCK OUT
N3	1	2" RFWN #150 w/ SCH40 PIPE, BLIND FLG & GSK	SPARE FOR TRAP
N4	1	6" RFSO #150 w/ SCH40 PIPE, BLIND FLG & GSK	SPARE
N5	1	6" FFSO #150 w/ SCH40 PIPE	LT
N6	1	6" FFSO #150 w/ SCH40 PIPE	LSHH
N7	1	6" FFSO #150 w/ SCH40 PIPE	LT (INTERSTITIAL)
N8	1	6" RFSO #150 w/ 6" CLAY & BAILY E-VENT	PRI E-VENT
N9	1	4" RFSO #150 w/ VENT STACK AND VENT*	PRI N-VENT
N10	1	2" RFWN #600 w/ SCH80 PIPE	TW
N11	1	3" RFWN #150 w/ SCH40 PIPE	OUTLET
N12	1	2" RFWN #150 w/ SCH40 PIPE	PSV DISCH.
N13	1	6" SORF #150 w/ 6" CLAY & BAILY E-VENT	SEC E-VENT
A	1	ULC NAMEPLATE	S601
B	1	DECAL PLATE	
C	2	WELDED ON SADDLES w/HOLD DOWN LUGS X4	
D	1	GAUGE STICK HOLDER	SEE P2
E	2	WELD ON LIFT LUGS	
F	2	GROUNDING LUGS	
G	2	VENT SUPPORT BRACE	SEE P2

*SHIPPED LOOSE - INSTALL BY OTHERS ON SITE

MATERIAL SPECIFICATION:
 All PLT Material: G40.21.44W
 All SHT Material: A1011
 Pipe: ASTM A106B Seamless
 Flange & Coupling: ASTM A105
 Any fitting Gasket: Spiral Wound
 SS316L Graphite Filler
 Manway Gasket: 10mm THK Neoprene



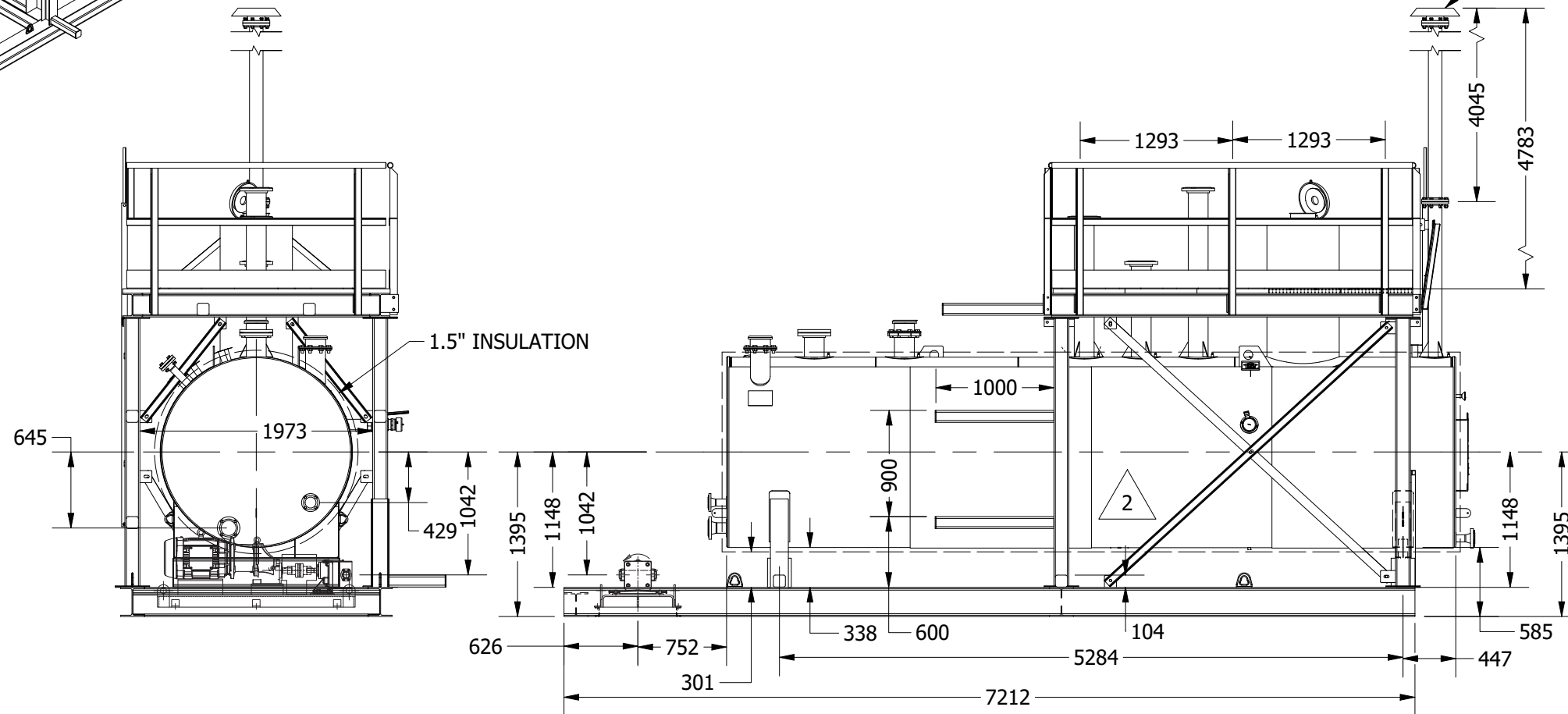
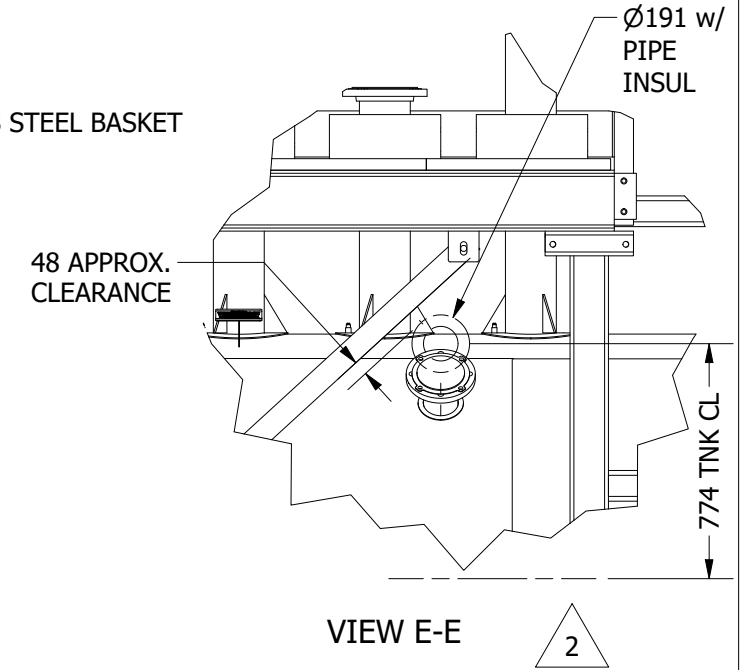
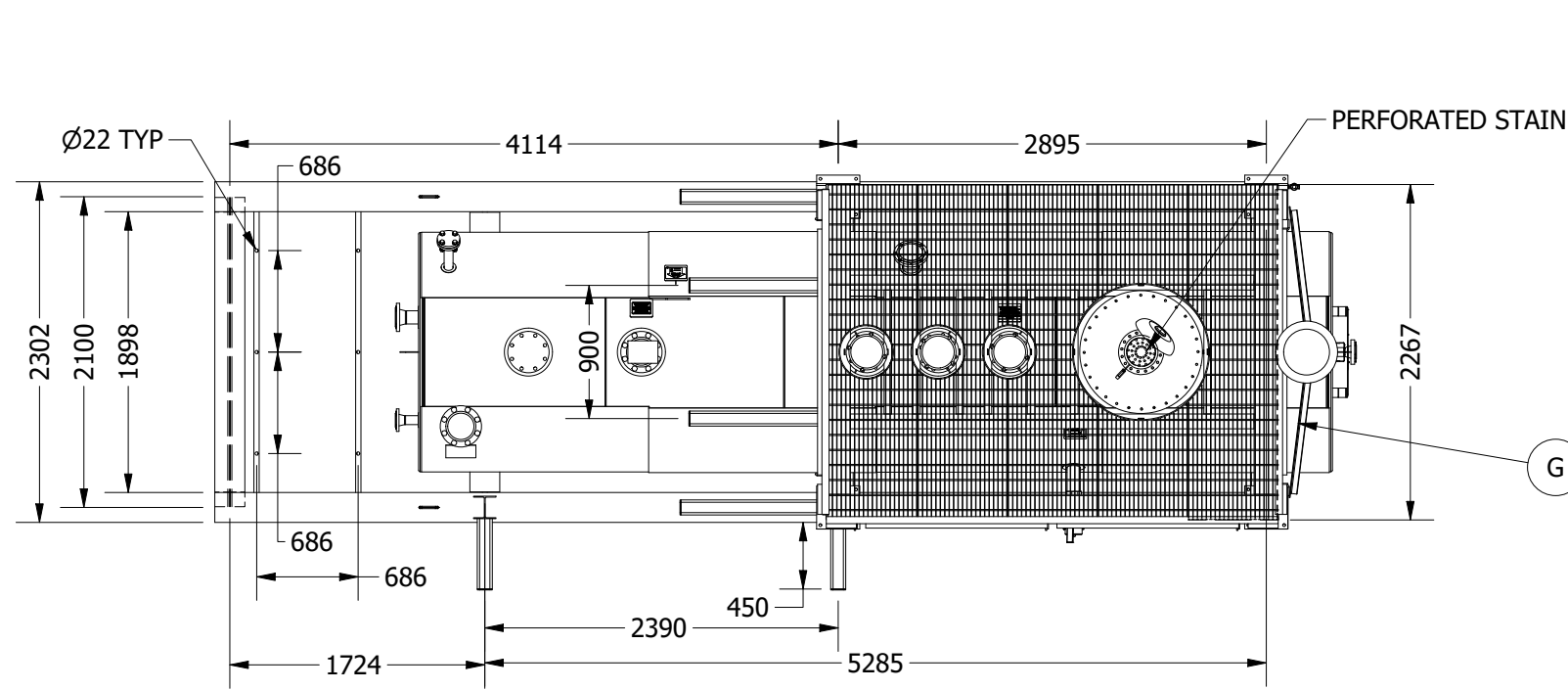
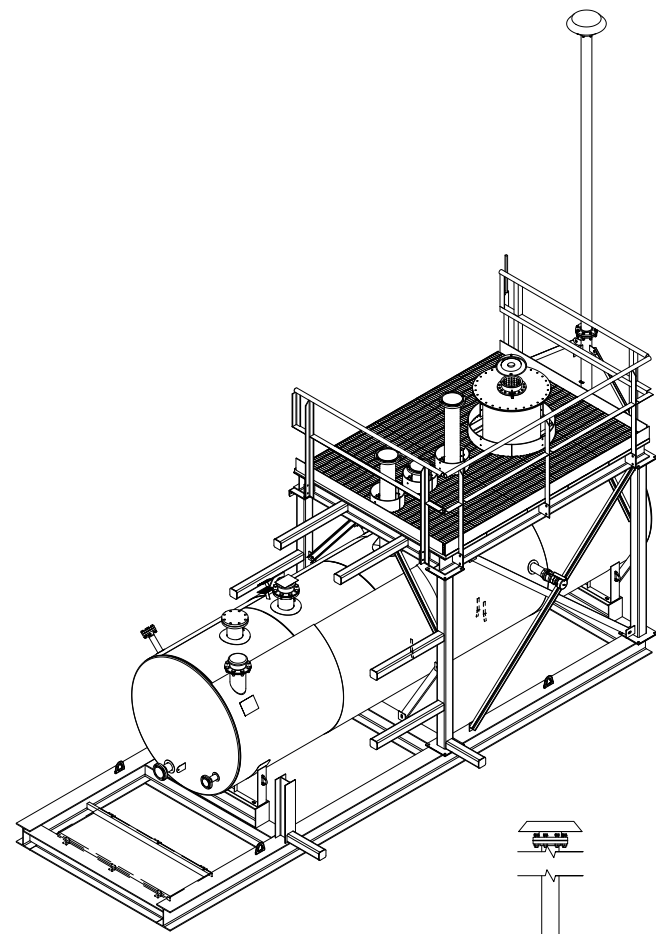
TANK SPECIFICATIONS:
 FABRICATION CODE: ULC S601-14
 TANK TYPE: INTEGRAL CONTAINED
 NOMINAL CAPACITY: 12400 L
 MATERIAL: SEE MAT'L SPEC.
 MINIMUM MATERIAL THICKNESS: 3.41mm (PRIMARY TANK)
 MINIMUM MATERIAL THICKNESS: 2.5 mm (SEC. TANK)
 MAX. OPERATING PRESSURE: 7 kPa
 MAX. OPERATION VACUUM: 300 Pa
 REQUIRED VENTING CAPACITY: 128m³/min
 *LIFT LUG NOT CERTIFIED TO LIFT TANK CONTAINING PRODUCT

NO	DATE	DESCRIPTION	ECR	BY	CH
3	19-Oct-20	Revised as per review		VP	
2	2020-09-30	Revised for 2020 production, Extended N5,N6,N7,N9, M1, Location N2 (Tank Seam)		NJK	
1	2019-05-01	Revised N1 & N3 - Rework		FR	

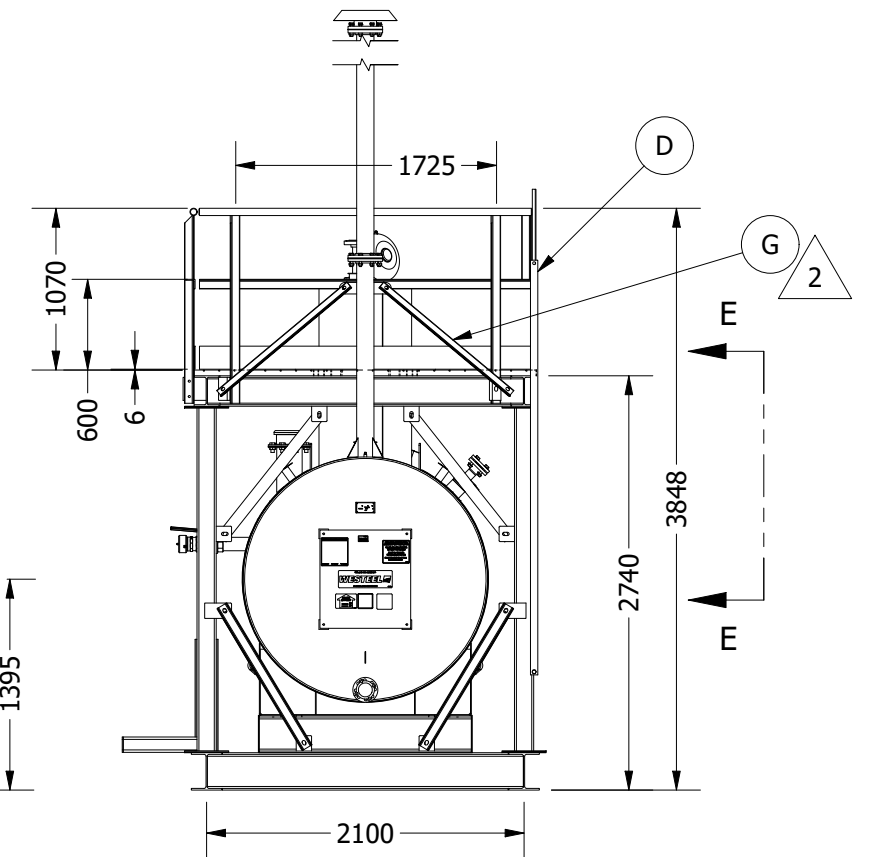
DIMENSIONS SHOWN ARE MM IMPERIAL UNITS ARE IN BRACKETS		DESND.	DATE
TOLERANCES (UNLESS OTHERWISE NOTED)		FR	08-Mar-17
DIMENSIONS:		DWN.	DATE
METRIC (mm) IMPERIAL (in.)		FR	08-Mar-17
x ± 2 .x ± .1		CHKD.	DATE
.x ± 1.0 .xx ± .03			
.xx ± .50 .xxx ± .010		APPD.	DATE
ANGULAR: ± 1°			

AGI WESTEEL
 This drawing is the exclusive property of WESTEEL and all rights are reserved. No part of this drawing may be used or reproduced in any manner whatsoever without written permission from WESTEEL.
SUMP TANK
 GENERAL ARRANGEMENT
 CUSTOMER
 TransCanada Keystone Pipeline, Limited Partnership

CALCULATED WEIGHT	LOCATION
N/A	5067
QUOTE NO.	ORDER NO.
25016433	
DRAWING NO.	REV.
285503HD 25011558	3
	SHEET
	1 OF 3



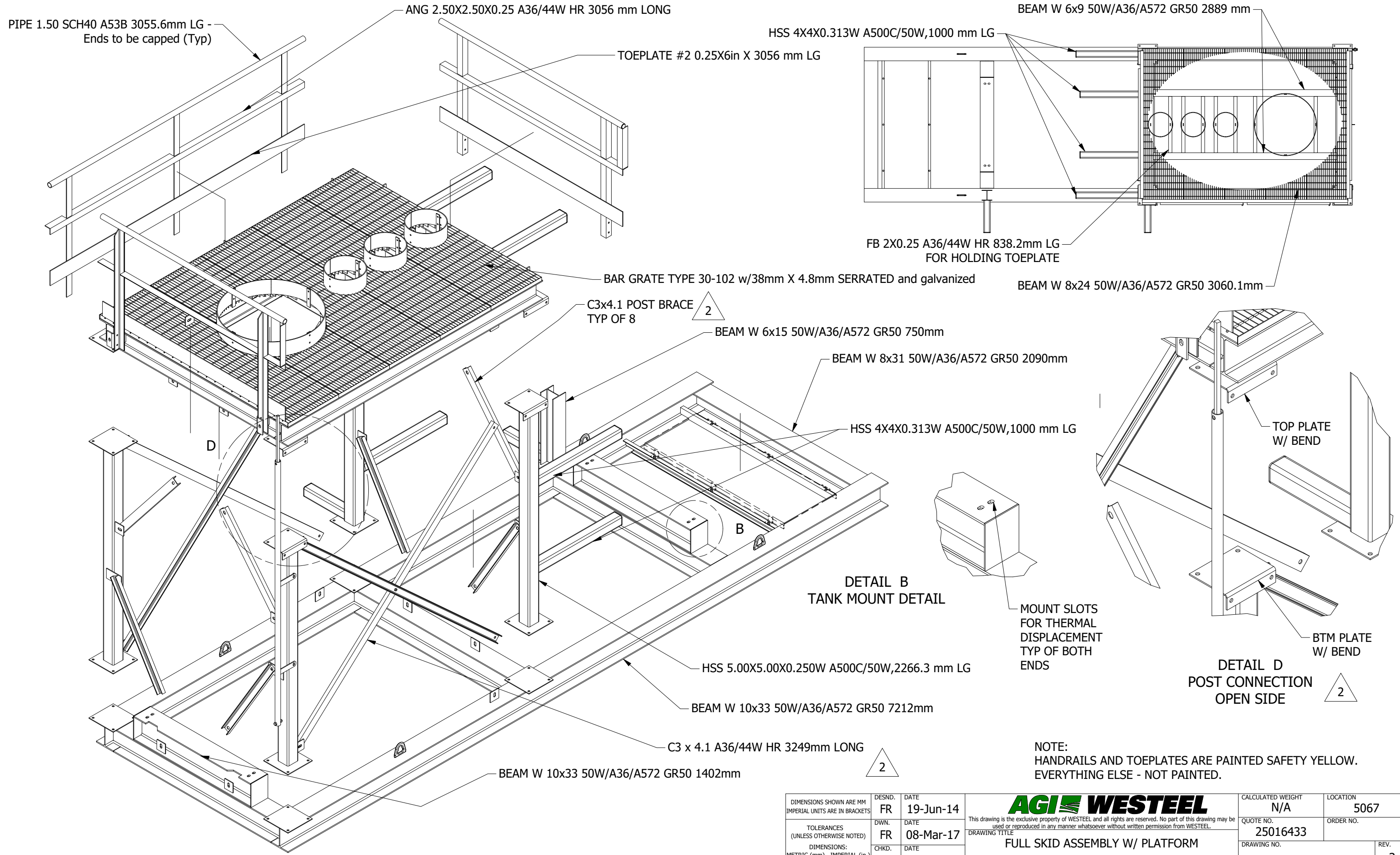
UPDRAFT VENT - SERIES 4000 ENARDO FREE VENT 4" #150FF



IMPORTANT NOTE:
FIREPROOFING OF THE TANK SUPPORT AND SKID IS DESIGNED AND DONE BY OTHERS.

DIMENSIONS SHOWN ARE MM IMPERIAL UNITS ARE IN BRACKETS	DESND. FR	DATE 08-Mar-17
TOLERANCES (UNLESS OTHERWISE NOTED)	DWN. FR	DATE 08-Mar-17
DIMENSIONS: METRIC (mm) IMPERIAL (in.)	CHKD.	DATE
x ± 2 .x ± .1		
.x ± 1.0 .xx ± .03		
.xx ± .50 .xxx ± .010		
ANGULAR: ± 1°	APPD.	DATE

<p>This drawing is the exclusive property of WESTEEL and all rights are reserved. No part of this drawing may be used or reproduced in any manner whatsoever without written permission from WESTEEL.</p>	CALCULATED WEIGHT N/A	LOCATION 5067
	QUOTE NO. 25016433	ORDER NO.
DRAWING TITLE SUMP TANK GENERAL ARRANGEMENT	DRAWING NO. 25011558 HFV11000	REV. 3
CUSTOMER TransCanada Keystone Pipeline, Limited Partnership		SHEET 2 OF 3



DIMENSIONS SHOWN ARE MM IMPERIAL UNITS ARE IN BRACKETS	DESND. FR	DATE 19-Jun-14
TOLERANCES (UNLESS OTHERWISE NOTED)	DWN. FR	DATE 08-Mar-17
DIMENSIONS:	CHKD.	DATE
METRIC (mm) IMPERIAL (in.)	APPD.	DATE
x ± 2 .x ± .1		
.x ± 1.0 .xx ± .03		
.xx ± .50 .xxx ± .010		
ANGULAR: ± 1°		

	This drawing is the exclusive property of WESTEEL and all rights are reserved. No part of this drawing may be used or reproduced in any manner whatsoever without written permission from WESTEEL.
	FULL SKID ASSEMBLY W/ PLATFORM INSTALLATION LAYOUT
CUSTOMER	TransCanada Keystone Pipeline, Limited Partnership

CALCULATED WEIGHT	N/A	LOCATION	5067
QUOTE NO.	25016433	ORDER NO.	
DRAWING NO.	285504HD 25011558	REV.	3
		SHEET	3 OF 3