

Document Title: Full Tank Skid Assembly & Platform Drawing

Document Number: 25472-101-V1A-MTNF-Z0032

Revision Number: 2

PO Number: 5500000846

Material Requisition Number: 25472-101-MRA-MTNF-Z0001

Tag #: 125-BDLSS-B0-OST-01

126-FXVLY-B0-OST-01



Westeel a division of Ag Growth International Inc.
 450 Desautels Street
 Winnipeg, Manitoba
 Canada, R2H 3E6
 1-800-665-2099

Rev No.	Rev Date yyyy-mm-dd	Reason for Issue	Contractor Originator	Contractor Reviewer	Contractor Approver
2	10-Nov-20	For Information	Westeel	Scott K	Scott K
1	23-Apr-19	For Information	Westeel	Fazlur R	Fazlur R

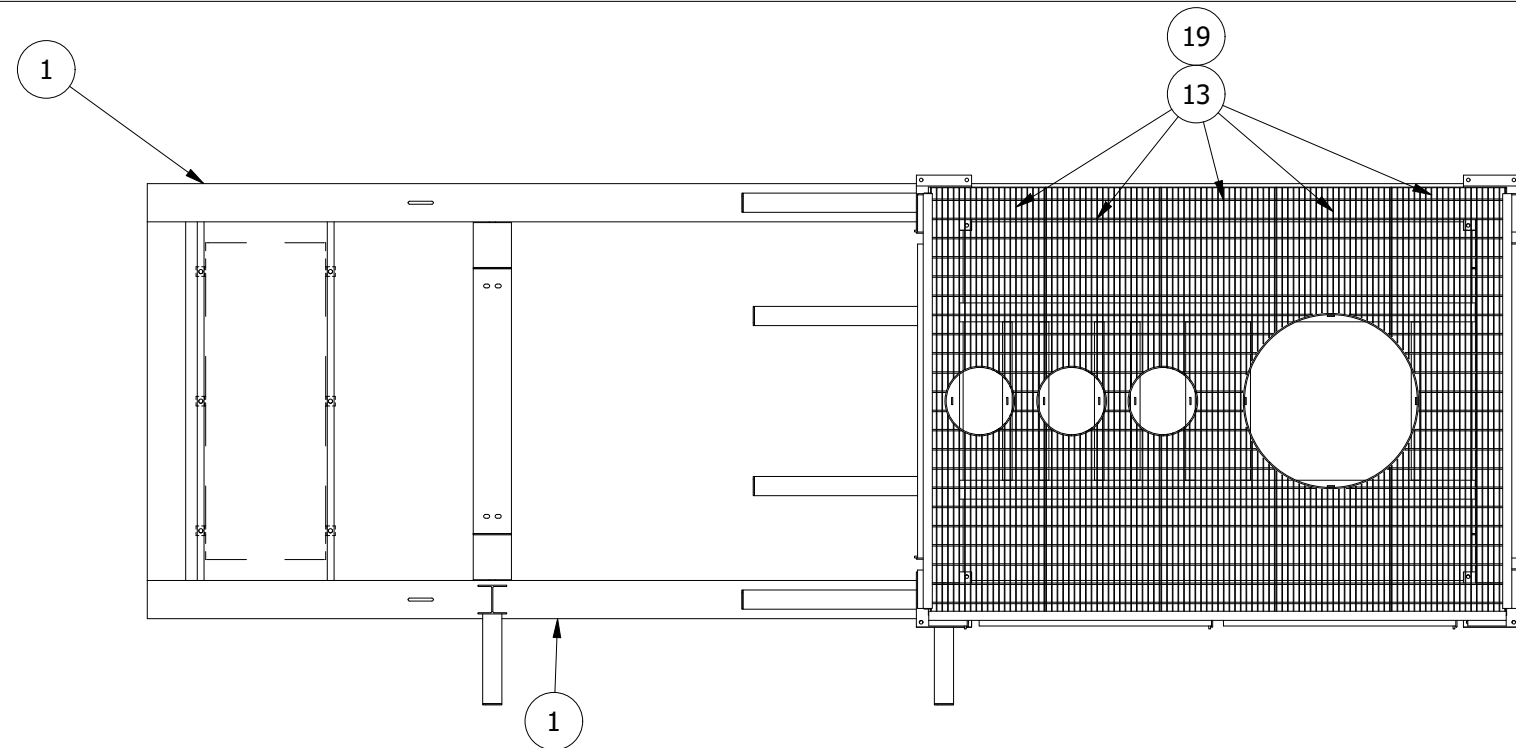
CODE 1: Work may proceed.



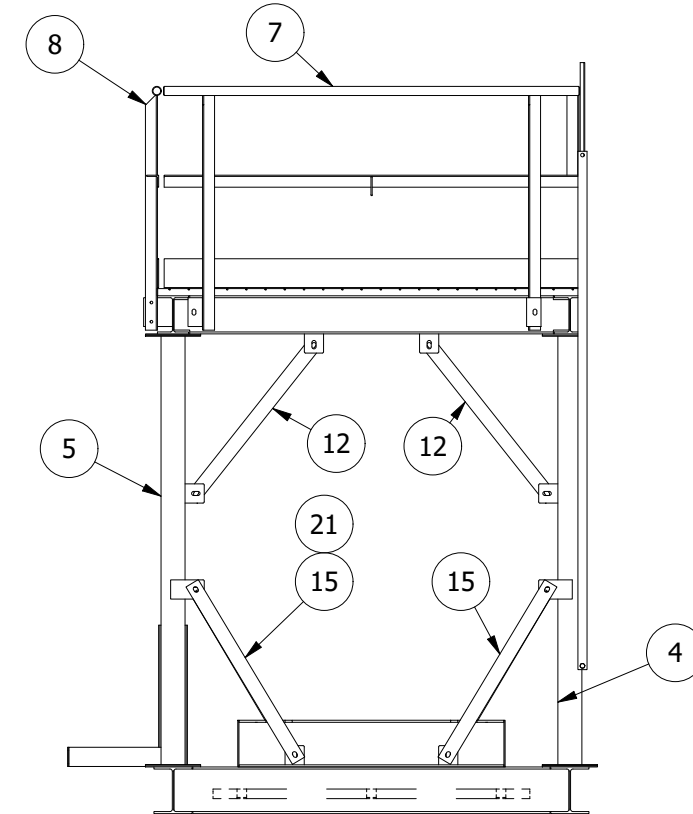
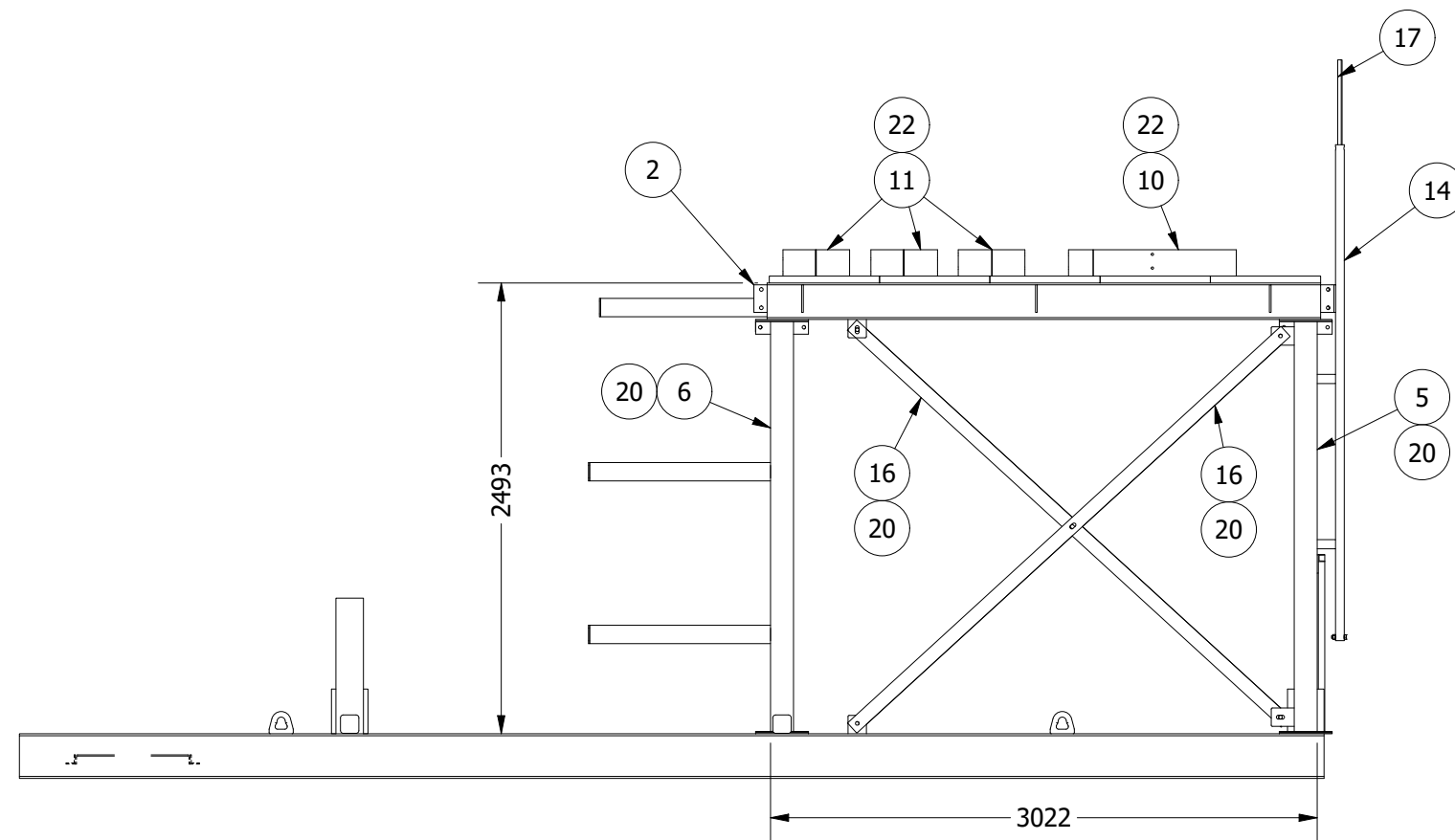
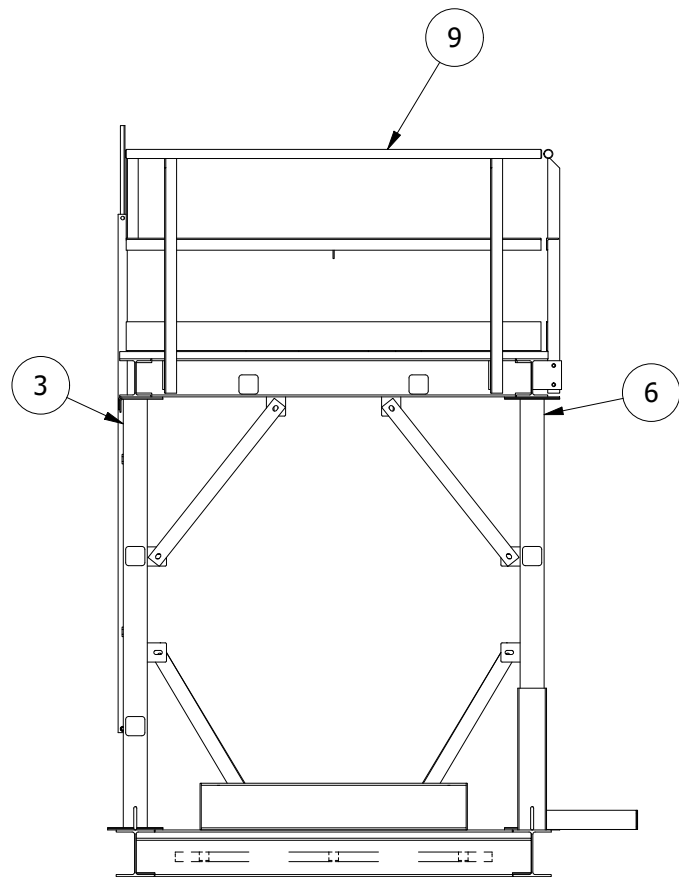
Permission to proceed does not constitute acceptance or approval of design details, calculations, analyses, test methods or materials developed or selected by the supplier and does not relieve the supplier from full compliance with contractual obligations.

Name: Halyna Hutsulyak

Date: 11/24/2020



ITEM	ITEM QTY	PART NO.	DESCRIPTION
1	1	X022727	SKID BTM PLATFORM
2	1	X022728	SKID TOP PLATFORM
3	1	X022729	SKID POST #4
4	1	X022730	SKID POST #3
5	1	X022731	SKID POST #2
6	1	X022732	SKID POST #1
7	1	X022733	HANDRAIL #3
8	1	X022734	HANDRAIL #2
9	1	X022735	HANDRAIL #1
10	1	X022736	PL .250 X 6.00in X 2889 mm L ROLLED
11	3	X022737	PL 0.250X 6.00in X972 mm L ROLLED
12	6	107245	C3 x 4.1 A36/44W HR 1075mm LONG
13	5	X021915	BAR GRATE TYPE 30-102 w/38mm X 4.8mm SERRATED (24in X 2266mm)
14	1	900782	DIPSTICK HOLDER 108X93
15	2	107245	C3 x 4.1 A36/44W HR 1095mm LONG
16	4	X022740	C3 x 4.1 A36/44W HR 3249mm LONG
17	1	263035	GAUGE STICK 20X11X320(10.5') FLAT
18	1	285171	BOLT KIT ADJUSTABLE KNEE BRACE
19	20	100312	CLIP "G" STYLE GALV
20	1	X021922	HDWE PKG #1 SIZE 0.75" x 1.50" - 50QTY
21	1	X021923	HDWE PKG #1 SIZE 0.75" x 1.25" - 18QTY
22	1	X021919	HDWE PKG #1 SIZE 0.375" x 1.25" -16QTY



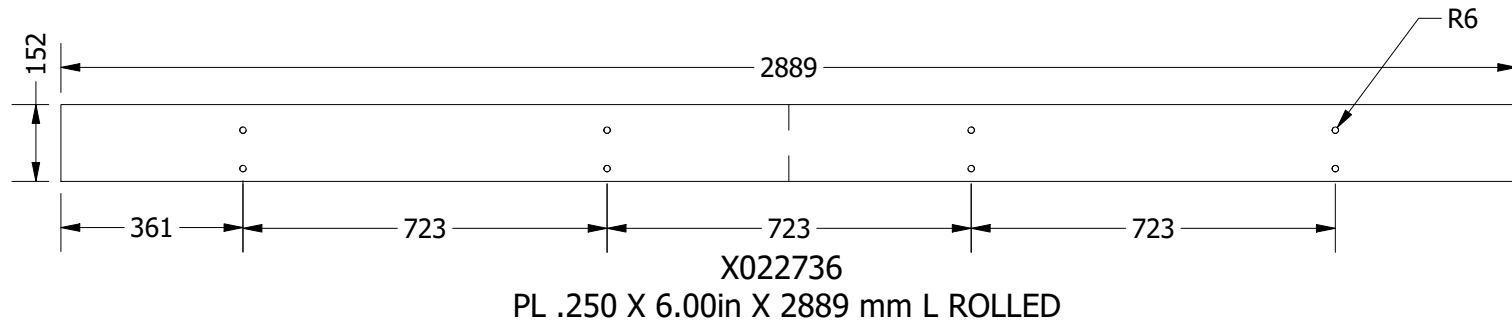
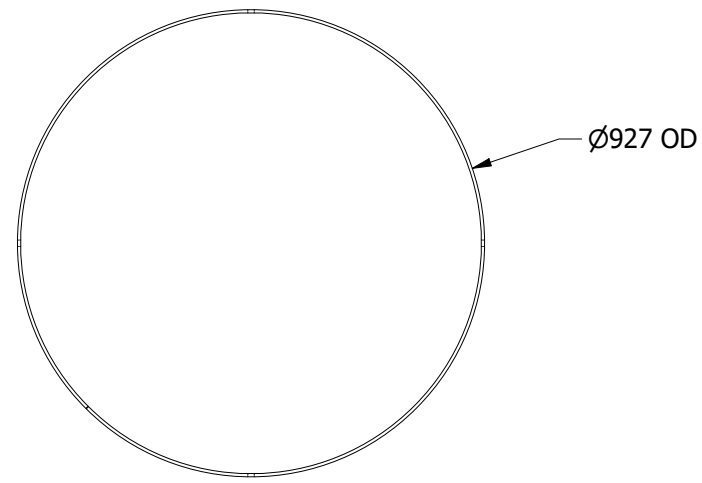
NOTE:
 ALL THE TOE PLATES NEED TO BE BLASTED AND PAINTED SAFETY YELLOW-SIMILAR TO THE HAND RAILS.
 -ONLY TANK AND THE SKID ARE TO BE ASSEMBLED FOR SHIPPING, EVERYTHING ELSE(4xPOST, TOP PLATFORM, HANDRAILS AND THE VENT STACK) ARE TO BE SHIPPED LOOSE AND ASSEMBLED ON SITE BY OTHERS.

NO	DATE	DESCRIPTION	ECR	BY	CH
2	26-Oct-20	REVISED AS PER MARK-UP		VP	
1	14-Oct-20	RELEASED FOR PRODUCTION		FR	
0	08-Jun-19	RELEASE FOR PRODUCTION		FR	

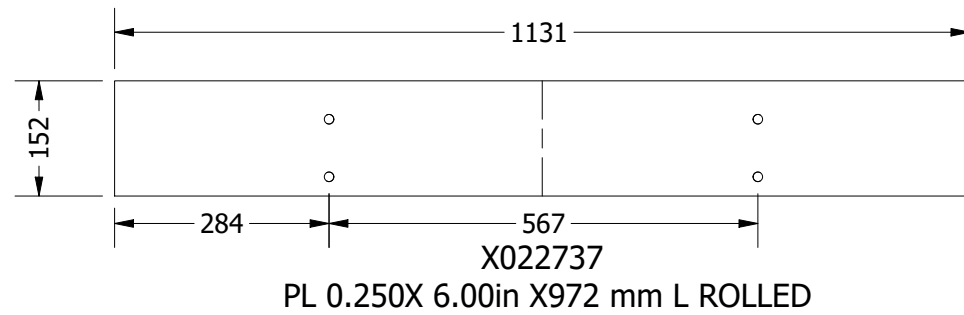
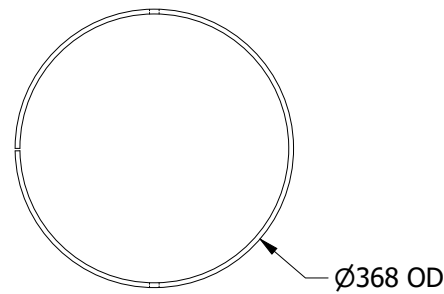
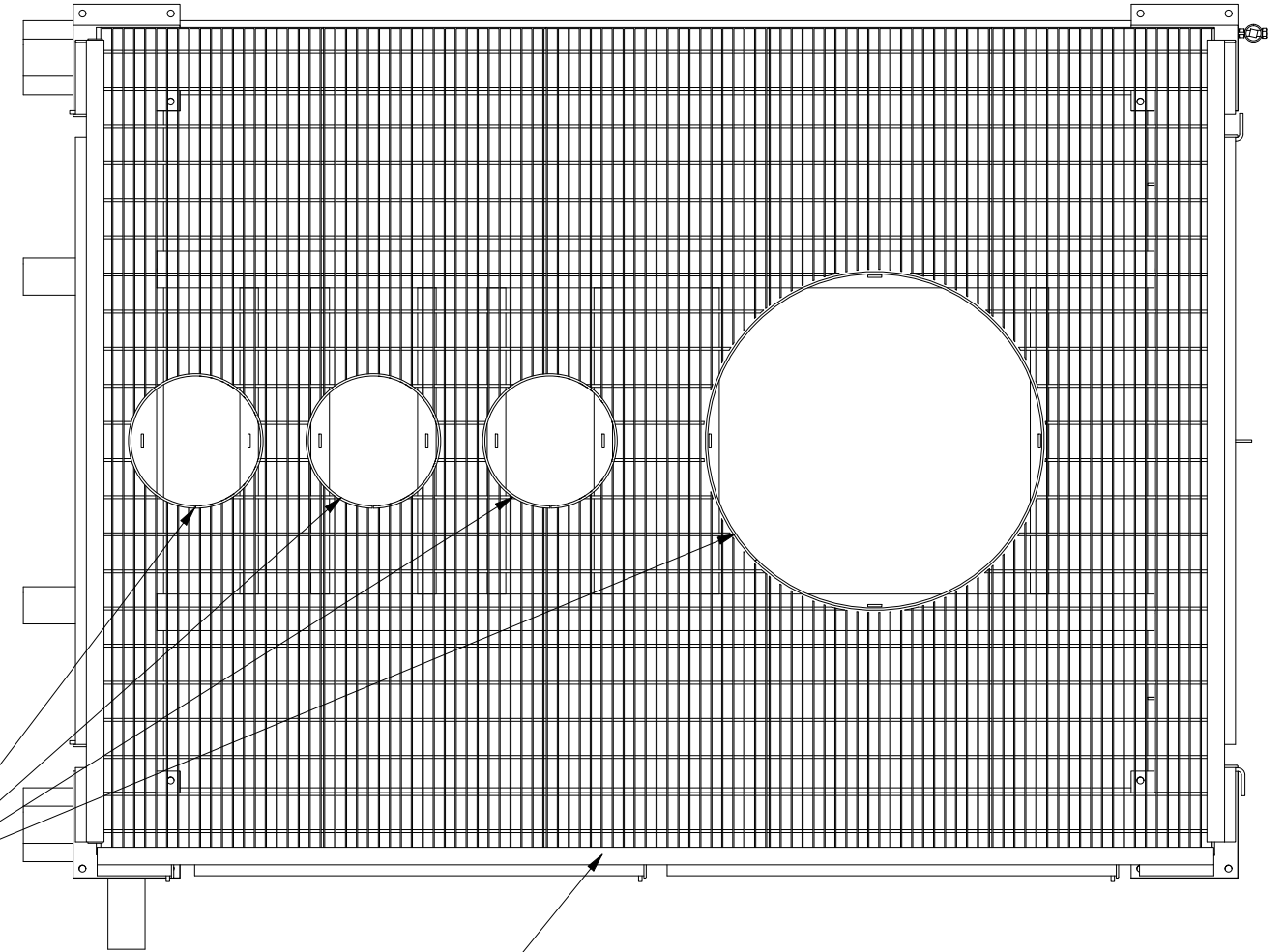
DIMENSIONS SHOWN ARE MM IMPERIAL UNITS ARE IN BRACKETS		DESND. FR	DATE 19-Jun-14
TOLERANCES (UNLESS OTHERWISE NOTED)		DWN. FR	DATE 19-Jun-14
DIMENSIONS:		CHKD.	DATE
METRIC (mm)	IMPERIAL (in.)		
x ± 2	.x ± .1		
.x ± 1.0	.xx ± .03		
.xx ± .50	.xxx ± .010		
ANGULAR: ± 1°		APPD.	DATE

		This drawing is the exclusive property of WESTEEL and all rights are reserved. No part of this drawing may be used or reproduced in any manner whatsoever without written permission from WESTEEL.
		DRAWING TITLE
FULL SKID ASSEMBLY WITH PLATFORM SKID FABRICATION		CUSTOMER
TransCanada Keystone Pipelines, Limited Partnership		

CALCULATED WEIGHT	LOCATION
6172.3 lbmass	5067
QUOTE NO.	ORDER NO.
25011558	
DRAWING NO.	REV.
X021916	2
	SHEET
	1 OF 2



THESE HOLES ARE TO BE CUT AT THE TIME OF DRY FITTING
PRIOR TO GALVANIZING.



DIMENSIONS SHOWN ARE MM IMPERIAL UNITS ARE IN BRACKETS TOLERANCES (UNLESS OTHERWISE NOTED) DIMENSIONS: METRIC (mm) IMPERIAL (in.) x ± 2 .x ± .1 .x ± 1.0 .xx ± .03 .xx ± .50 .xxx ± .010 ANGULAR: ± 1°	DESND.	DATE	AGI WESTEEL <small>This drawing is the exclusive property of WESTEEL and all rights are reserved. No part of this drawing may be used or reproduced in any manner whatsoever without written permission from WESTEEL.</small> FULL SKID ASSEMBLY WITH PLATFORM PARTS DETAIL	CALCULATED WEIGHT	LOCATION
	FR	19-Jun-14		6172.3 lbmass	5067
	DWN.	DATE	CUSTOMER TransCanada Keystone Pipelines, Limited Partnership	QUOTE NO.	REV.
	FR	19-Jun-14		25011558	2
	CHKD.	DATE		DRAWING NO.	SHEET
	APPD.	DATE		X021916	2 OF 2