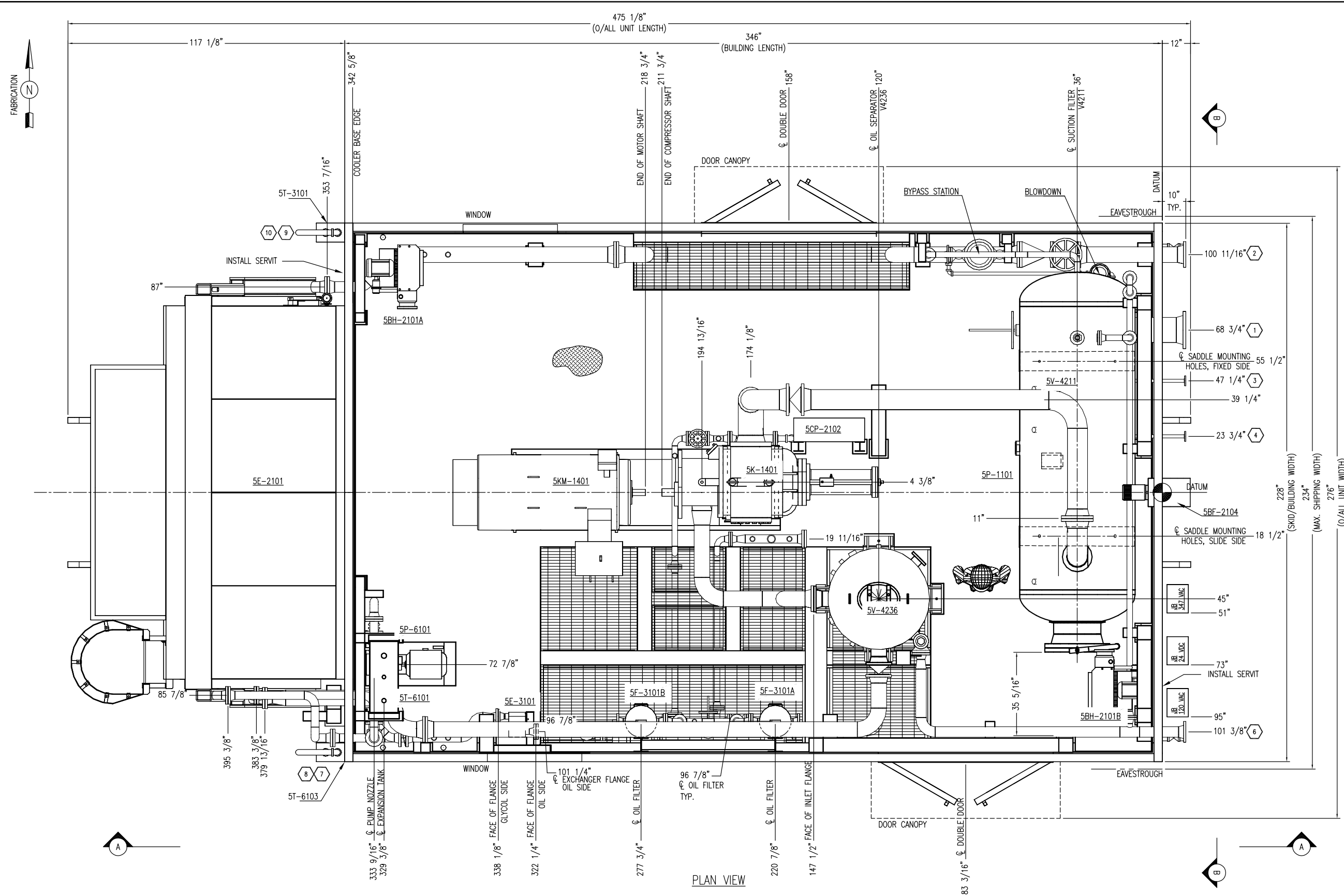


PLOT DATE: May 06, 2015, 15:00 P:_SAP_C&P_Canada_Projects\E001123-01_Meg_c-o_Toyo_Eng - HI-Q Pilot - 700HP EMD_SCC2821_4_Drafting\Issued\As-Built\E001123-01-201-As-Built.dwg



NOZZLE SCHEDULE				
MARK	SERVICE	SIZE	RATING	TYPE
1	GAS INLET	10"	150#	RF
2	GAS/LIQUID OUTLET	6"	150#	RF
3	INSTRUMENT AIR	1"	150#	RF
4	PRESSURIZED HYDROCARBON DRAIN	1"	150#	RF
5	-	-	-	-
6	HIGH PRESSURE VENT	4"	150#	RF
7	WASTE GLYCOL TANK VENT	2"	-	PIPE
8	WASTE GLYCOL TANK PUMP OUT	2"	3000#	MNPT
9	WASTE OIL TANK VENT	2"	-	PIPE
10	WASTE OIL TANK PUMP OUT	2"	3000#	MNPT
11	INSTRUMENT VENT	1"	-	PIPE

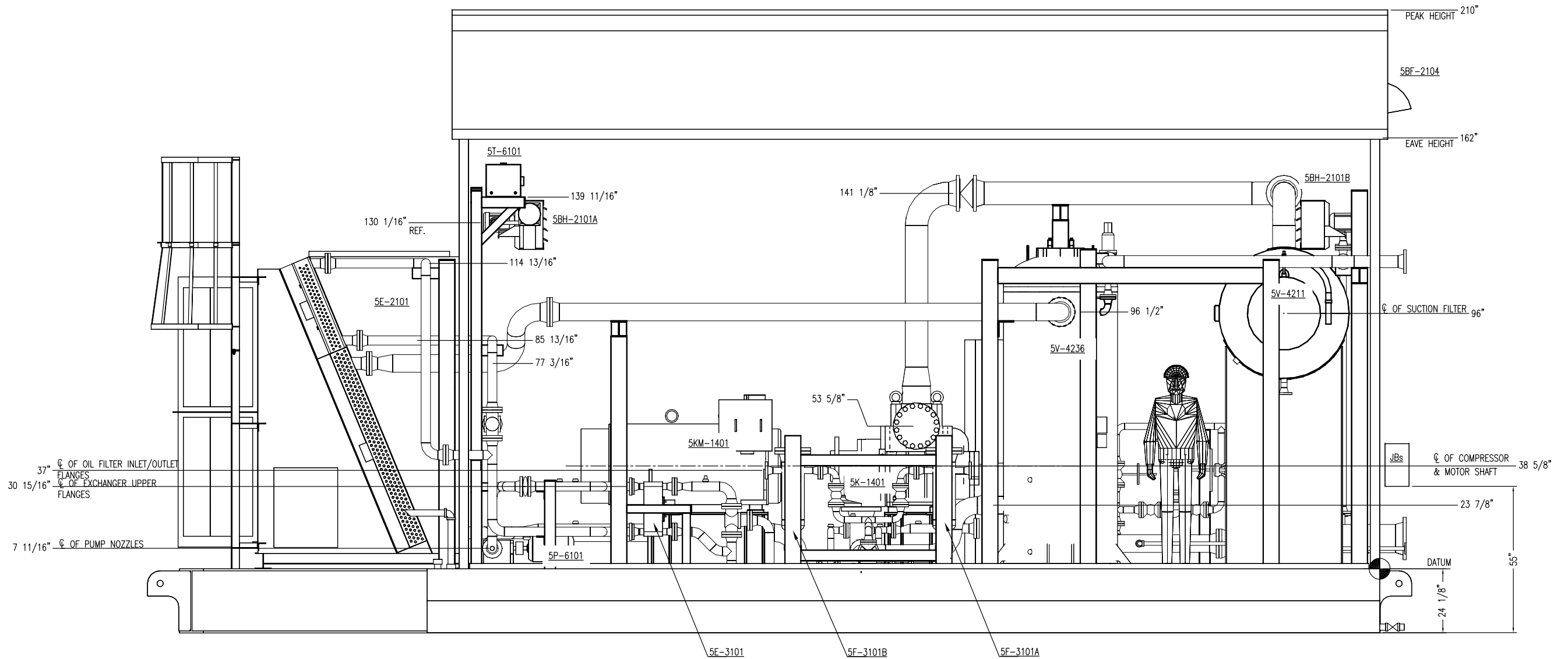
GENERAL SPECIFICATIONS	
OPERATING PACKAGE DIMENSIONS:	
LENGTH	475 1/8" [12,068mm]
WIDTH	276" [7,010mm]
HEIGHT	234 1/8" [5,947mm]
WEIGHT	98,523 LBS
SHIPPING DIMENSIONS (Single Piece):	
LENGTH	475 1/8" [12,068mm]
WIDTH	276" [7,010mm]
HEIGHT	234 1/8" [5,947mm]
WEIGHT	98,523 LBS
CENTER OF GRAVITY: TBD	
X	"X" FROM REFERENCE POINT: 197 1/2"
Y	"Y" FROM REFERENCE POINT: -1 3/16"
Z	"Z" FROM REFERENCE POINT: 46 1/2"
CRANE: NONE	
LOADING METHOD: CRANE/JACK+ROLL	
NOTES:	
1. ALL (Z) DIMENSIONS TAKEN FROM TOP OF SKID.	
2. ALL SKID EDGE CONNECTIONS ±1/4" TOLERANCE.	
3. ALL TAIL DIMENSIONS FROM REFERENCE POINT.	
4. SKID DEPTH: 24"	

PLAN VIEW

FINAL AS BUILT
NAME: H.SUN DATE: MAR 26/15

DATE: JUL 04/14 SCALE: NTS		MEG ENERGY 1500 BPD HI-Q FD PILOT DRU OFF-GAS COMPRESSOR 5K-1401		ENERFLEX Calgary, Alberta, Canada	GENERAL ARRANGEMENT PLAN VIEW		
DRAWN BY: H.SUN CHECKED BY: K.OXFORD APPROVED BY: N.REZAEYAN		PROJECT MANAGER: B.LANGER PROJECT ENGINEER: N.REZAEYAN			DWG NO: E001123-01-201	SHT: 1	REV: 2
2 AS BUILT MAR 26/15 HS NR		CUST PO: N/A		OPER. CODE: 198/298/490/511/591			
1 CORRECTED DRAWING AS PER CUSTOMER'S MARK-UP JAN 12/15 HS NR		APEGGA PERMIT No: P8651					
0 ISSUED FOR CONSTRUCTION DEC 02/14 HS NR							
REV	DESCRIPTION	DATE	BY	APR			

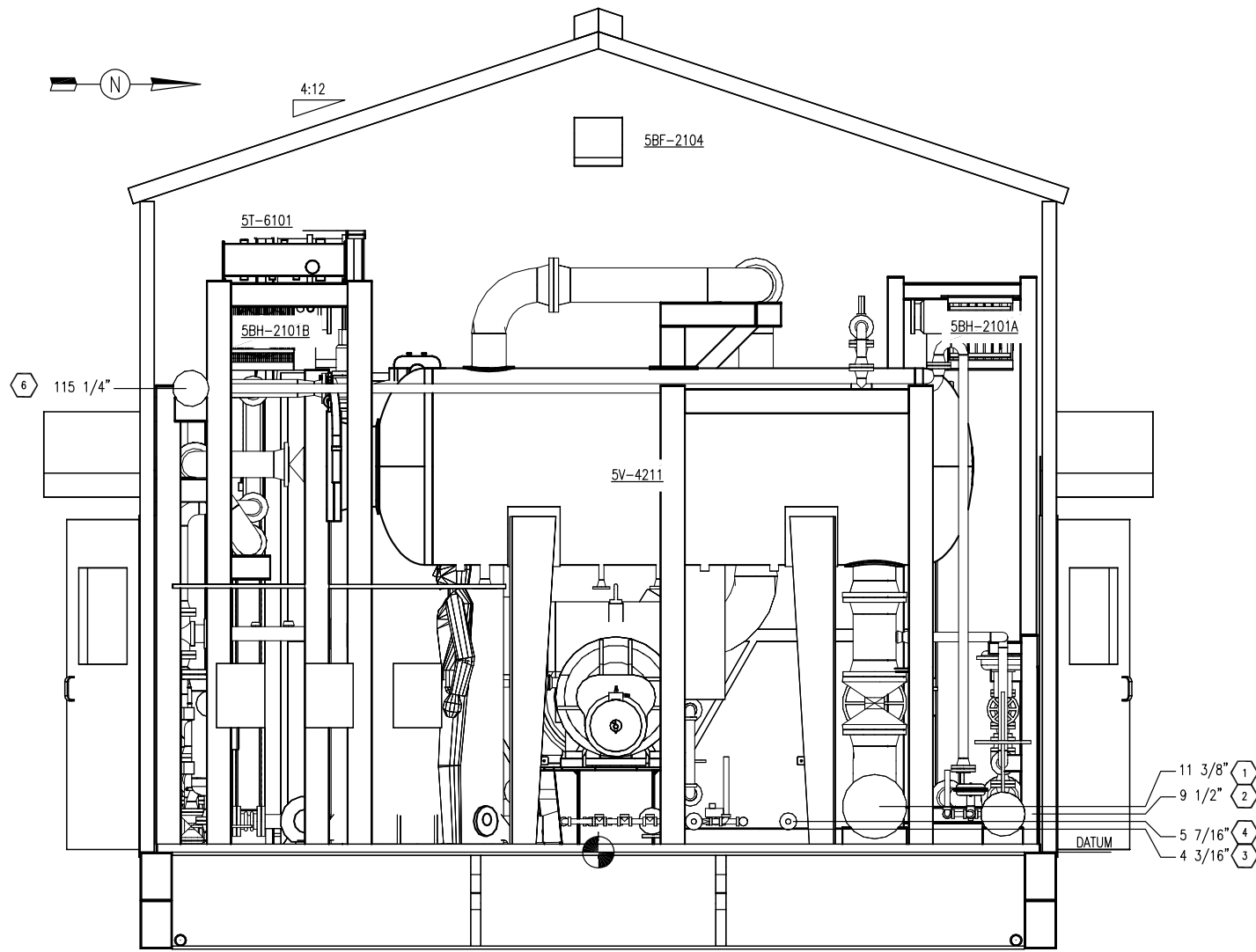
THE INFORMATION CONTAINED HEREIN IS THE CONFIDENTIAL PROPERTY OF ENERFLEX, LTD. AND IS NOT FOR PUBLICATION, AND NO PART THEREOF SHALL BE COPIED OR COMMUNICATED TO A THIRD PARTY WITHOUT AUTHORIZATION FROM ENERFLEX, LTD.



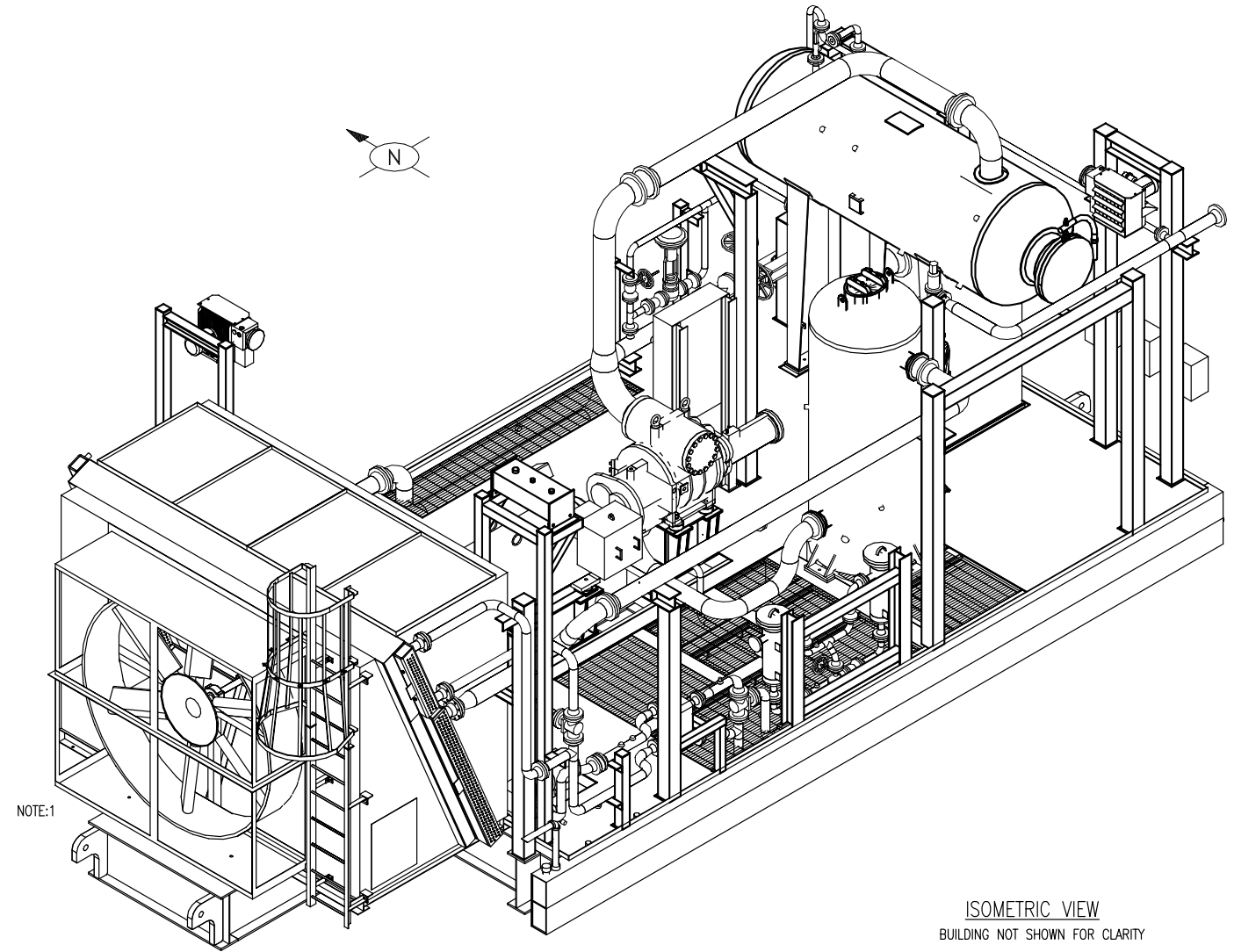
A-A ELEVATION VIEW

FINAL AS BUILT
 NAME H.SUN DATE MAR 26/15

DATE JUL 04/14		SCALE NTS		MEG ENERGY 1500 BPD HI-Q FD PILOT DRU OFF-GAS COMPRESSOR 5K-1401		ENERFLEX Calgary, Alberta, Canada	GENERAL ARRANGEMENT A-A VIEW		
DRAWN BY H.SUN		CHECKED BY K.OXFORD		APPROVED BY N.REZAEYAN			DWG NO E001123-01-201	SHT 2	REV 2
PROJECT MANAGER B.LANGER		PROJECT ENGINEER N.REZAEYAN		CUST PO N/A		OPER. 198/298/490/511/591			
APEGGA PERMIT No: P8651		WORK ORDER E001123-01		REV					
2	AS BUILT	MAR 26/15	HS	NR					
1	CORRECTED DRAWING AS PER CUSTOMER'S MARK-UP	JAN 12/15	HS	NR					
0	ISSUED FOR CONSTRUCTION	DEC 02/14	HS	NR					
REV	DESCRIPTION	DATE	BY	APR					



B-B ELEVATION VIEW



ISOMETRIC VIEW

BUILDING NOT SHOWN FOR CLARITY
NOTE:1 COOLER BUG SCREEN NOT SHOWN FOR CLARITY

FINAL AS BUILT
NAME: H.SUN DATE: MAR 26/15

DATE: JUL 04/14		SCALE: NTS		MEG ENERGY		ENERFLEX Calgary, Alberta, Canada	GENERAL ARRANGEMENT B-B & 3D VIEW
DRAWN BY: H.SUN		CHECKED BY: K.OXFORD		APPROVED BY: N.REZAEYAN			
PROJECT MANAGER: B.LANGER		PROJECT ENGINEER: N.REZAEYAN		1500 BPD HI-Q FD PILOT DRU OFF-GAS COMPRESSOR 5K-1401		DWG NO: E001123-01-201	SHT: 3
CUST PO: N/A		APEGGA PERMIT No: P8651		OPER. CODE: 198/298/490/511/591			
REV	DESCRIPTION	DATE	BY	APR	WORK ORDER: E001123-01		
2	AS BUILT	MAR 26/15	HS	NR			
1	CORRECTED DRAWING AS PER CUSTOMER'S MARK-UP	JAN 12/15	HS	NR			
0	ISSUED FOR CONSTRUCTION	DEC 02/14	HS	NR			