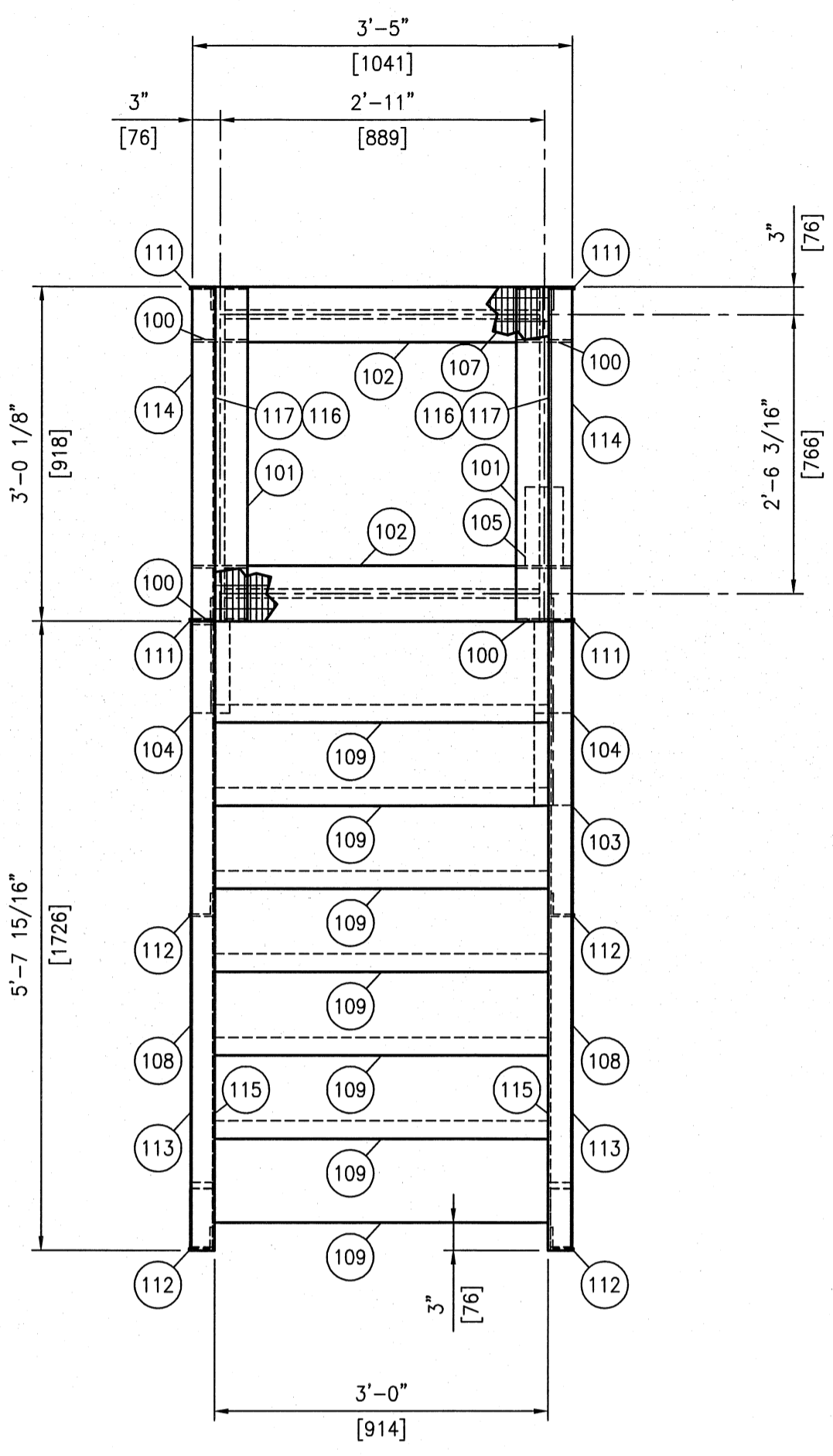
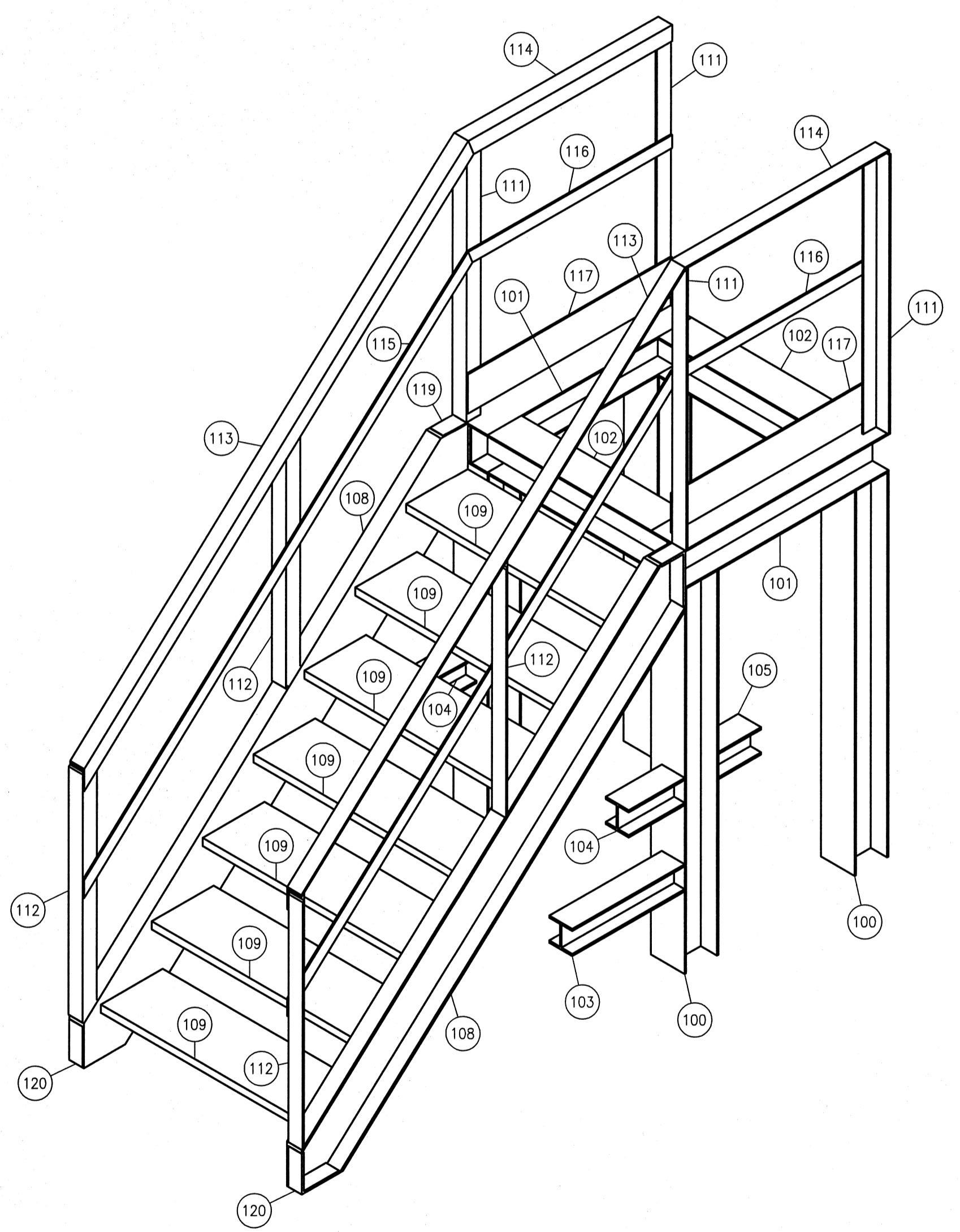


STAIR DETAIL - ELEVATION VIEW
SCALE 3/4"=1'-0"
LOOKING EAST

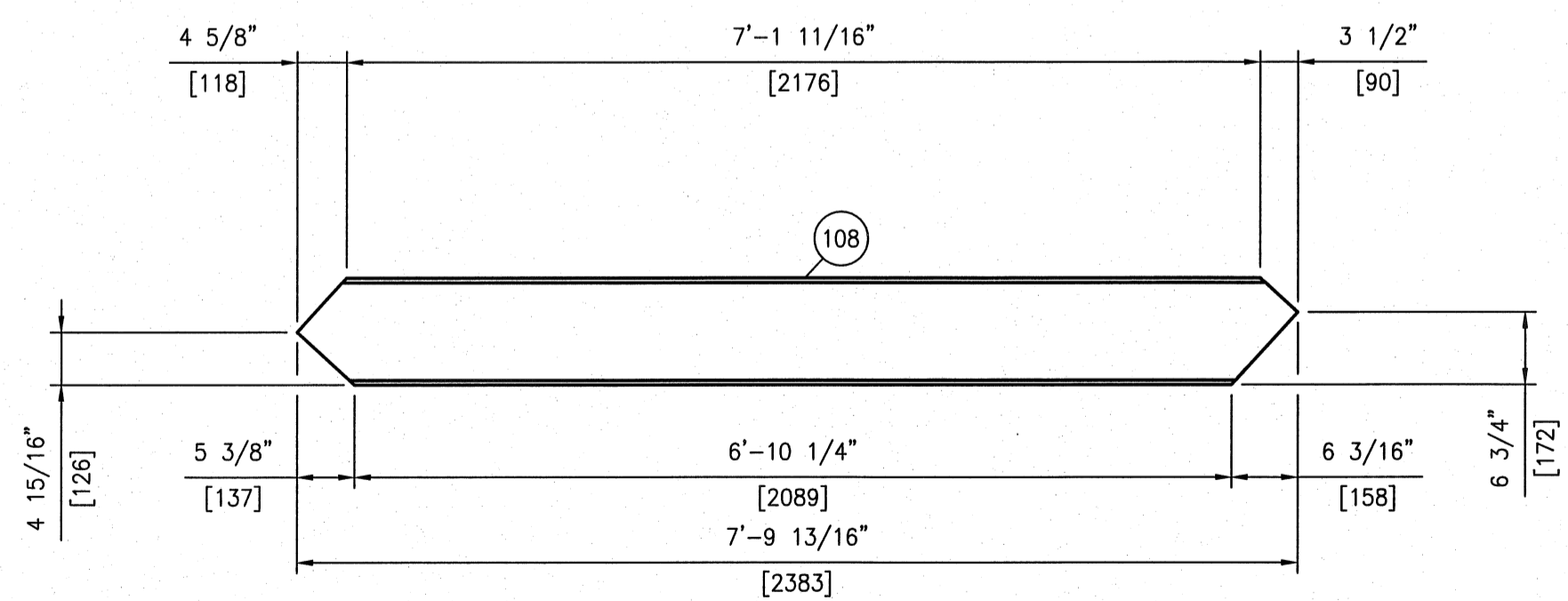


STAIR DETAIL - PLAN VIEW
SCALE 3/4"=1'-0"

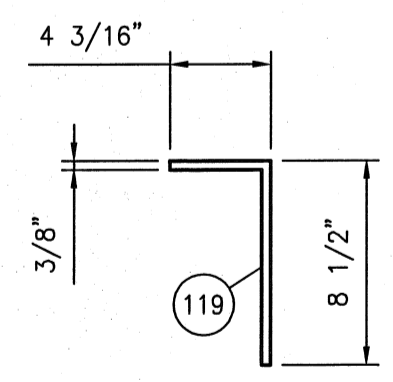
BILL OF MATERIAL					
MARK	DESCRIPTION	LONG ANNOTATION	LENGTH	QTY	MATERIAL
100	COLUMN	W6 @ 15#	4'-10 3/4"	4	SAG40.21-50W
101	SUPPORT	W6 @ 15#	3'-0 1/8"	2	SAG40.21-50W
102	SUPPORT	W6 @ 15#	2'-10 3/4"	2	SAG40.21-50W
103	SUPPORT	W4 @ 13#	1'-8"	1	SAG40.21-50W
104	SUPPORT	W4 @ 13#	10"	2	SAG40.21-50W
105	SUPPORT	W4 @ 13#	9"	1	SAG40.21-50W
107	GRATING	1 1/4" x 3/16" TYPE 19-4 DB SERRATED GRATING x 3'-0" WIDE	3'-0 1/8"	1	CS/GALVANIZED
108	STRINGER	C10 @ 15.3# (SEE DETAIL)	7'-9 13/16"	2	SAG40.21-44W
109	STAIR TREAD	1 1/4" x 3/16" TYPE 19-4 STAIR TREAD w/ CHECKER PLATE NOSING x 10 15/16" WIDE	3'-0"	7	SAG40.21-44W
111	HANDRAIL POST	2 1/2" x 2 1/2" x 1/4" ANGLE	3'-6 3/4"	4	SAG40.21-44W
112	HANDRAIL POST	2 1/2" x 2 1/2" x 1/4" ANGLE (SEE DETAIL)	3'-4 1/2"	4	SAG40.21-44W
113	HANDRAIL	2 1/2" x 2 1/2" x 1/4" ANGLE	7'-10 1/2"	2	SAG40.21-44W
114	HANDRAIL	2 1/2" x 2 1/2" x 1/4" ANGLE	3'-0 1/8"	2	SAG40.21-44W
115	MIDRAIL	2" x 1/4" FB	7'-10 1/2"	2	SAG40.21-44W
116	MIDRAIL	2" x 1/4" FB	3'-0 1/8"	2	SAG40.21-44W
117	KICKPLATE	6" x 1/4" FB	3'-0 1/8"	2	SAG40.21-44W
119	UPPER STRINGER END PLATE	2 3/8" x 3/8" PL x 1'-0 11/16" LG (SEE DETAIL)		2	SAG40.21-44W
120	LOWER STRINGER END PLATE	2 3/8" x 3/8" PL x 1'-0 7/8" LG (SEE DETAIL)		2	SAG40.21-44W



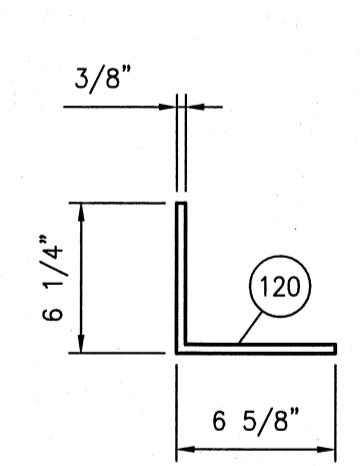
STAIR DETAIL ISO VIEW
SCALE NTS



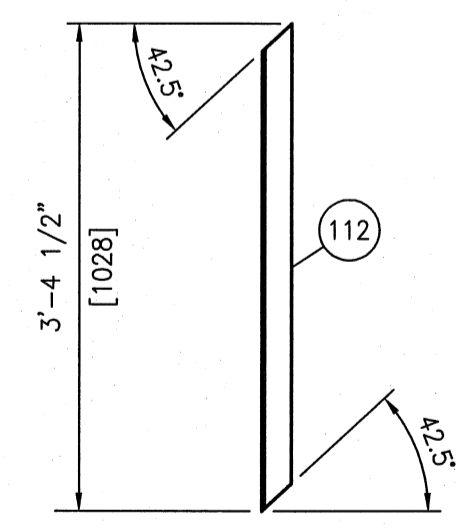
STRINGER DETAIL
SCALE 3/4"=1'-0"
(1) AS SHOWN (1) MIRRORED



UPPER STRINGER END PLATE DETAIL
SCALE 1 1/2"=1'-0"
(1) SHOWN (2) REQUIRED



LOWER STRINGER END PLATE DETAIL
SCALE 1 1/2"=1'-0"
(1) SHOWN (2) REQUIRED



ITEM #66 DETAIL
SCALE 3/4"=1'-0"
(2) AS SHOWN (2) MIRRORED

- NOTES**
- ALL PRIMARY DIMENSIONS ARE IN IMPERIAL AND ALL SECONDARY DIMENSIONS ARE IN METRIC 0'-0" [000].
 - TOP OF CHECKER PLATE REFERENCE ELEVATION 0'-0" [000].
 - ALL GRATING TO BE BANDED AS REQUIRED & HOT DIP GALVANIZED.
 - DO NOT WELD GRATING. SHOP TO USE CLIPS THAT DO NOT HARM THE GALVANIZED FINISH.
 - REFER TO DWG# 5B1107-02-DR-11-001 FOR PLAN VIEW - T.O.C. ELEV. TO 11'-0", B.O.M., FABRICATION NOTES & WELD DETAILS.

CUSTOMER REFERENCE # 407014-00120		CUSTOMER: DEVON NEC CORPORATION		JOB NO. 5B1107-11	
		PROJECT: FERRIER CENTRAL OIL BATTERY - LIQUID EXTRACTION PLANT (LEP) LOCATION: LSD 11-02-039-08 W5M			
		TITLE: L.P. INLET SEPARATOR PACKAGE (002-PK-01-1500) OVERHEAD STRUCTURE -STAIR DETAILS			
0	ISSUED FOR CONSTRUCTION	BB	10/10/13	SCALE AS SHOWN	DATE 03/10/13
A	ISSUED FOR APPROVAL	BS	08/10/13	DWG NO. 5B1107-02-DR-11-010	SHT TTL 013
www.5Blue.com		DRAWN BS		DATE 03/10/13	