

001-EF-10-1081
BUILDING EXHAUST FAN
ENERTECH ET12-1
16 ACPH

001-EFM-10-1081
BUILDING EXHAUST FAN MOTOR
1/4 HP 575V/3PH/60HZ, XP MOTOR

001-UHG-10-1080
BUILDING HEATER
GLYCOL HEATER
MODEL AH-24A-A1A1-A1-2H

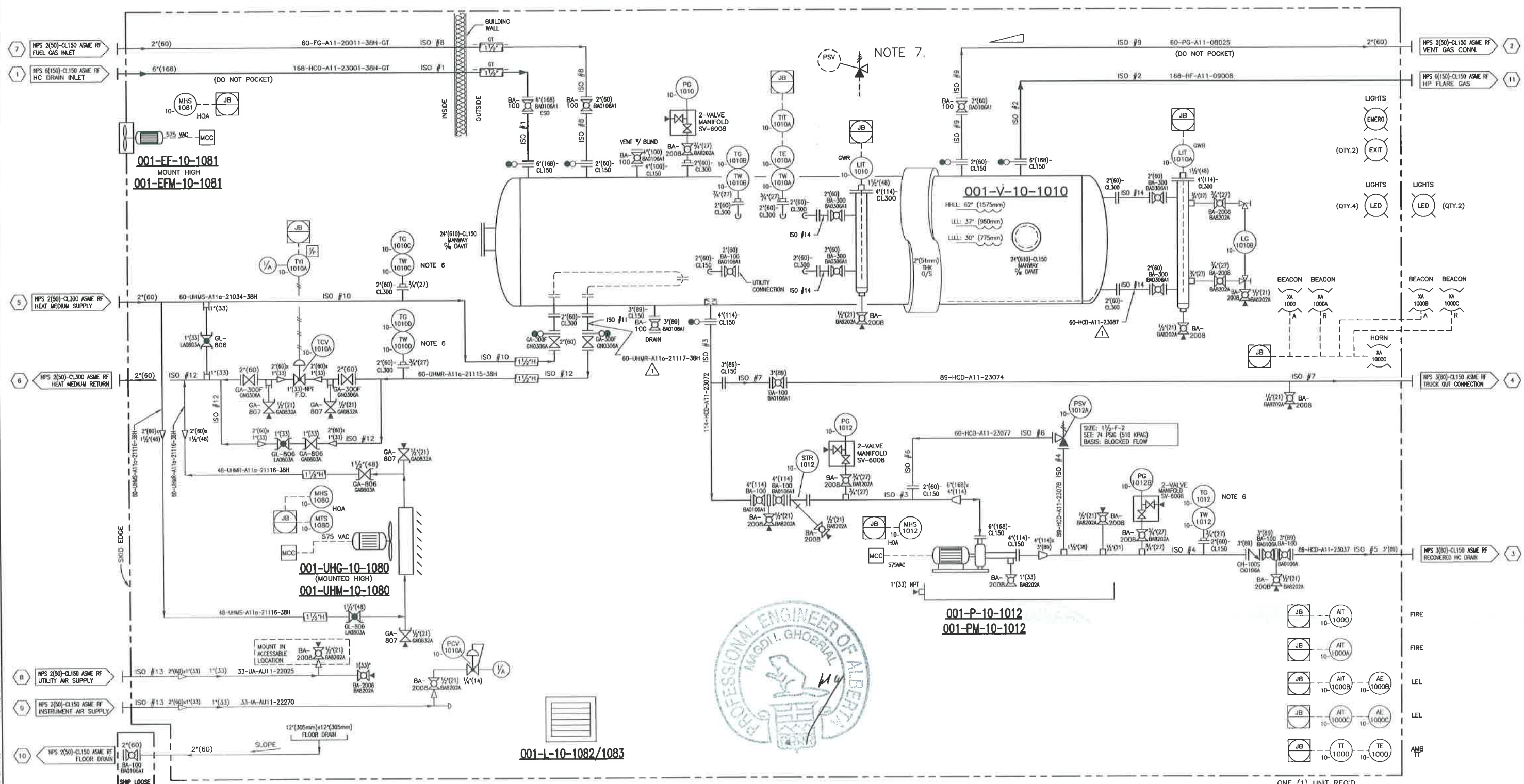
001-UHM-10-1080
BUILDING HEATER MOTOR
1/2 HP, 575V/3PH/60HZ XP MOTOR

001-V-10-1010
COB CLOSED HYDROCARBON DRAIN VESSEL
78" (1981mm) I.D. x 20'-0" (6096mm) 3/8"
FULL VACUUM/50 PSIG D.P. @ 100°F + 1/16" C.A.
FULL VACUUM/345 kPa @ -45/100°C + 1.5mm C.A.

001-P-10-1012
COB CLOSED HYDROCARBON PUMP
NM063BY02514K 4x6
PROGRESSIVE CAVITY
RATED CAPACITY = 77 USGPM (17.6 m³/h)
DIFF PRESSURE = 49 PSIG (340 kPa)

001-PM-10-1012
COB CLOSED HYDROCARBON PUMP MOTOR
TECO TEFC
7.5HP @ 1800 RPM
575V/3PH/60HZ CLASS 1 ZONE 2 GR IIc
IEEE B41

001-L-10-1082/83
MANUAL ADJUSTABLE
MANUALLY ADJUSTABLE
12"x12" (305mm x 305mm)
QTY. OF (2)



D-2013-8440-50F-001.dwg. USER: ZHANG. DATE: 02/06/2014 -- 3:28 P

VALVE TAGGING
GA-B18

VALVE TYPE	SUFFIX	END CONNECTION	TRIM	END CONN.
GA	B	1"	0	0
GA	C	2"	1	1
GA	D	3"	2	2
GA	E	4"	3	3
GA	F	6"	4	4
GA	G	8"	5	5
GA	H	10"	6	6
GA	I	12"	7	7
GA	J	14"	8	8
GA	K	16"	9	9
GA	L	18"	10	10
GA	M	20"	11	11
GA	N	24"	12	12
GA	O	30"	13	13
GA	P	36"	14	14
GA	Q	42"	15	15
GA	R	48"	16	16
GA	S	54"	17	17
GA	T	60"	18	18
GA	U	72"	19	19
GA	V	84"	20	20
GA	W	96"	21	21
GA	X	108"	22	22
GA	Y	120"	23	23
GA	Z	144"	24	24

VALVE TYPES: BA = BALL
CA = GATE
GL = GLOBE
CH = CHECK
NE = NEEDLE
BO = GAUGE (BLOCK 1/2 BLEED)
BY = BUTTERFLY
SV = SPECIALTY

TRIM: 0 = STANDARD
1 = SOUR
2 = SOUR LOW TEMPERATURE
3 = LOW TEMPERATURE
4 = HIGH TEMPERATURE
5 = STAINLESS STEEL

END CONN.: 0 = RF
1 = RTJ
2 = SW
3 = NPT x SW
4 = NPT
5 = MNPT x FNPT
6 = FULL POINT
7 = SWING CHECK
8 = PISTON CHECK
9 = PORTED RELIEF

NOTES:

- * ITEMS SUPPLIED BY EQUIPMENT VENDOR.
- ** ITEMS SUPPLIED BY CUSTOMER & INSTALLED BY ALCO.
- *** DENOTES TURBINE METERS REQUIRING A MIN. STRAIGHT PIPE LENGTH OF 10' UPSTREAM & 5' DOWNSTREAM.
- REFER DEVON P&ID FER-001 1102039085-A-PID-1001-01 FOR CONTROLS
- ALL INSTRUMENTS SHALL BE TAGGED AS FOLLOWS:
001-XX-10-XXXX, SO PG-1012 WOULD BE TAGGED 001-PG-10-1012
- DO NOT COMPLY WITH GS-4500 SEC 11.1.1
- PSV FOR VESSEL 001-V-10-1010 TO BE INSTALLED BY OWNER, ON PIPING, PER PLANT P & ID.

GENERAL LEGEND:

- DENOTES PNEUMATIC TIE-IN.
- DENOTES PNEUMATIC COMPRESSOR PANEL TIE-IN.
- DENOTES CAPILLARY TIE-IN.
- DENOTES ELECTRICAL TIE-IN (BY OTHERS).
- DENOTES ELECTRICAL JUNCTION BOX TIE-IN.
- DENOTES LOCAL PLC TIE-IN (BY OTHERS).
- DENOTES LOCAL ELECTRICAL PANEL TIE-IN.
- DENOTES FIELD MOUNTED INSTRUMENT.
- DENOTES LOCAL PANEL INSTRUMENT.
- DENOTES LOCAL PANEL INSTRUMENT (MOUNTED INSIDE PANEL).

DWG	DESCRIPTION	REV.	DATE	REV. BY	DESCRIPTION
D-2013-8440-50A-001	LAYOUT/ASSEMBLY	1	2014-02-06	HZ	ADDED LINE NUMBER
		2	2013-11-15	HZ	ISSUED FOR CONSTRUCTION
		3	2013-10-08	VJK	RE-ISSUED FOR CUSTOMER APPROVAL
		4	2013-09-13	DD	RE-ISSUED FOR CUSTOMER APPROVAL
		5	2013-09-20	ZR	ISSUED FOR CUSTOMER APPROVAL
		6	2013-07-24	VJK	ISSUED FOR CUSTOMER APPROVAL
		7	2013-07-24	ZR	ISSUED FOR CUSTOMER APPROVAL

ONE (1) UNIT REQ'D

ALCO GAS & OIL
PRODUCTION EQUIPMENT LTD.

MECHANICAL FLOWSHEET
COB CLOSED HYDROCARBON DRAIN PACKAGE
TAG: 001-PK-10-1000

LOCATION: FERRIER CPF PROJECT, AB
CUSTOMER: DEVON CANADA CORPORATION
DWG/SHOP ORDER: D-2013-8440-50F-001/001
REV. 3

DATE: 2013-06-13
SCALE: NTS
CHK'D: ZR

The information contained herein is the confidential property of Alco Gas and Oil Production Equipment Ltd., and is not to be published. The information is issued on the understanding that no part thereof shall be copied, reproduced, or transmitted in any form or by any means, electronic, mechanical, photocopying, recording, or by any information storage and retrieval system, without the prior written permission of Alco Gas and Oil Production Equipment Ltd.

L.S.D.: 11-02-039-08 WSM