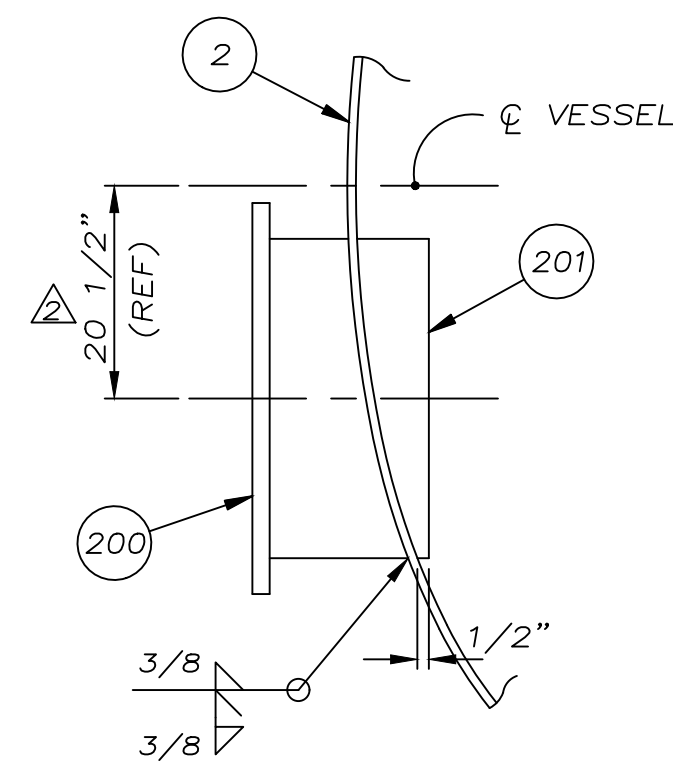
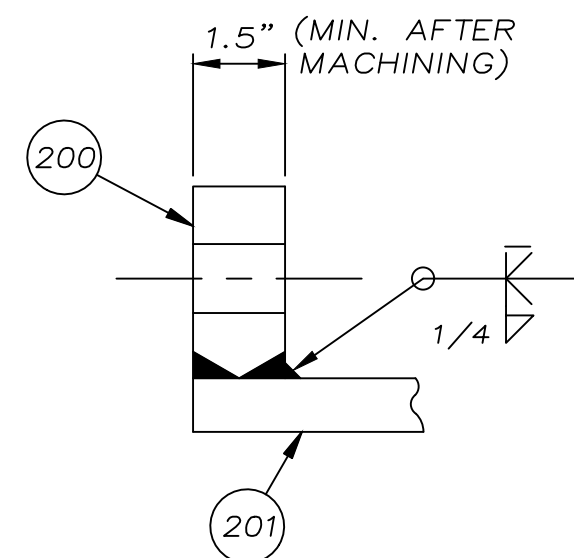


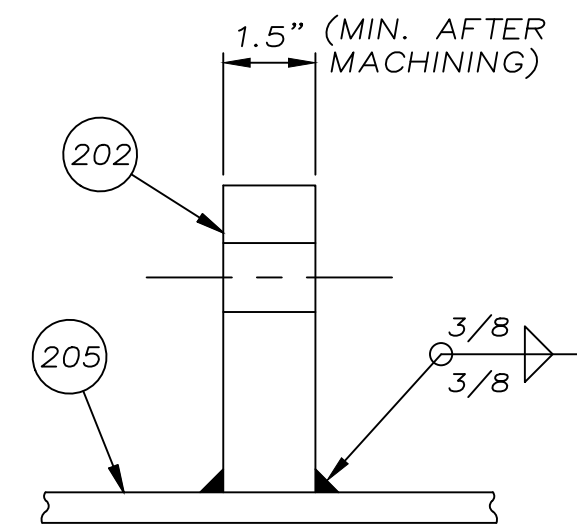
(211) INTERNAL BAFFLE DETAIL



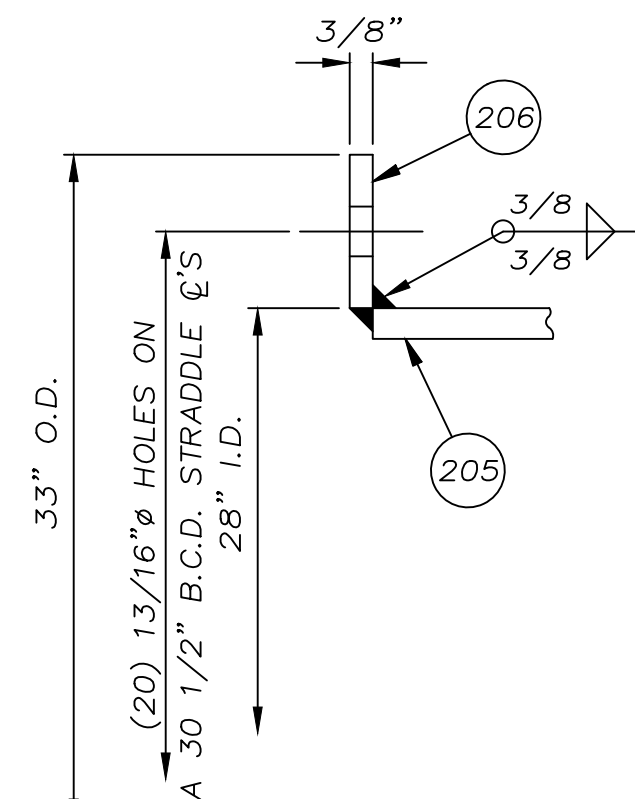
SECTION 'B-B'



DETAIL 'A'



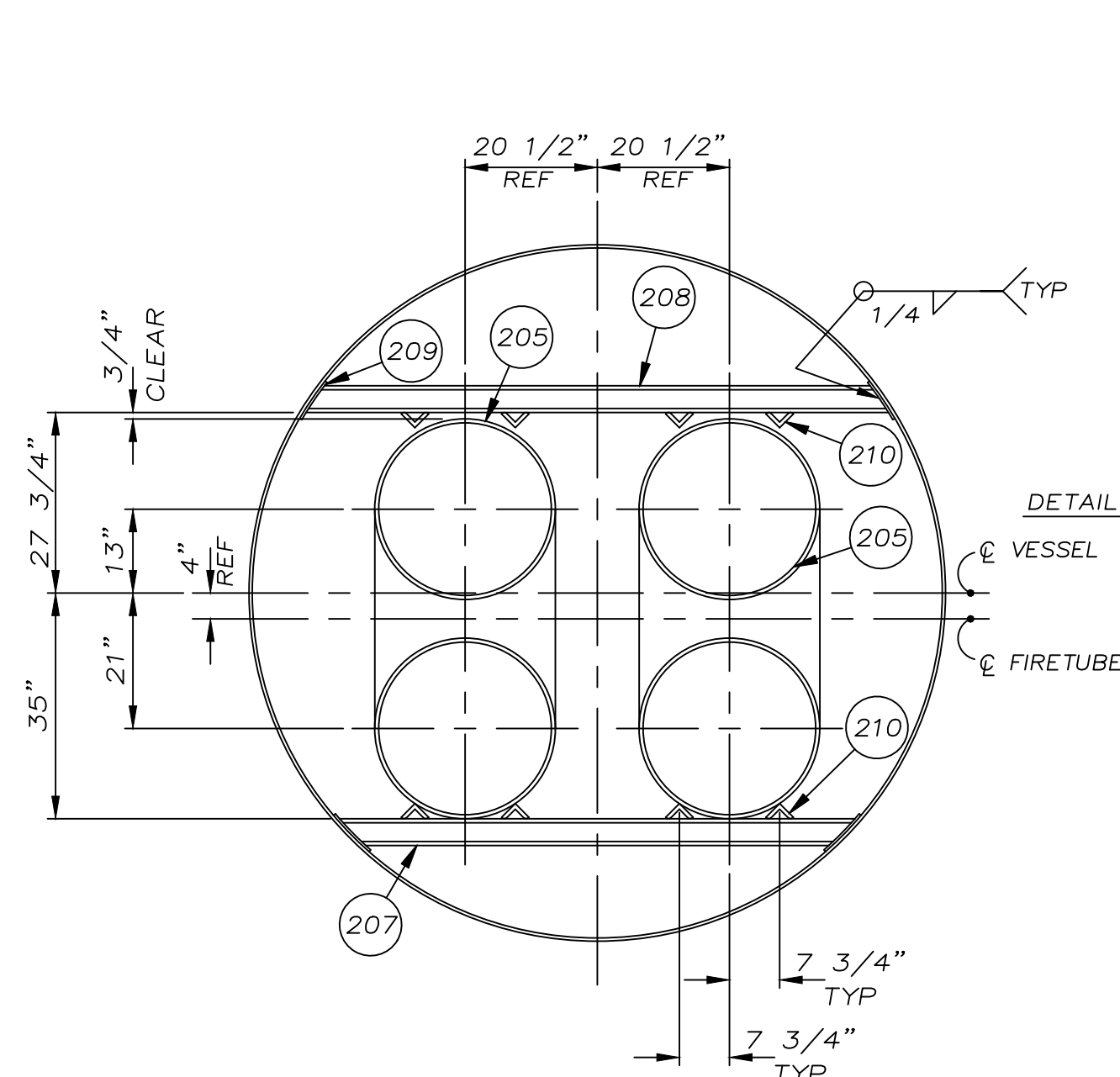
DETAIL 'B'



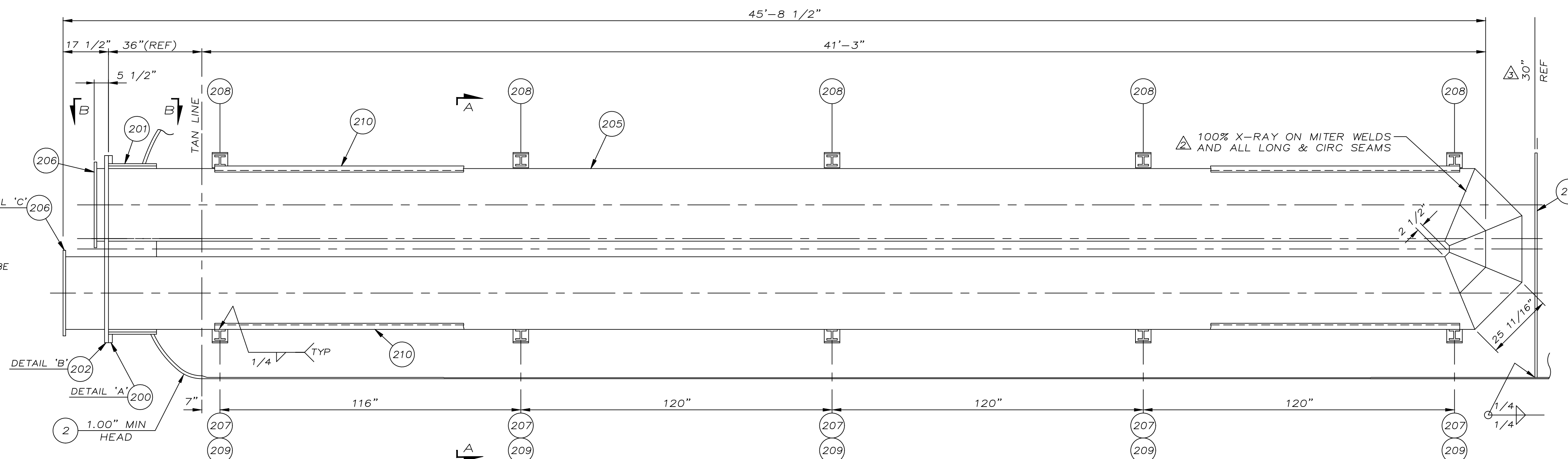
DETAIL 'C'

| BILL OF MATERIAL |           |  |                          |          |
|------------------|-----------|--|--------------------------|----------|
| ITEM NO.         | NO. REQ'D | DESCRIPTION  | MATERIAL                 | MARK NO. |
| 200              | 2         | OBROUND FLG 2" PL x38 1/4" x72 1/4" LG (SEE LAYOUT)                | SA-516-70N               |          |
| 201              | 2         | OBROUND NECK 1" PL x 30" x 168 1/2" LG (ROLL AS PER FLANGE DETAIL) | SA-516-70N               |          |
| 202              | 2         | FIRETUBE FLG 1 3/4" PL x38 1/4" x72 1/4" LG (SEE LAYOUT)           | SA-516-70N               |          |
| 203              | 112       | STUD 1"Ø x 5 3/4" LG c/w (2) HEX NUTS                              | SA-193-B7M<br>SA-194-2HM |          |
| 204              | 2         | GASKET 1/8" THK (SEE OBROUND FLG DETAIL)                           | JM-60                    |          |
| 205              | 2         | FIRETUBE 5/8" PL x 28" O.D. x 92'-0" LG                            | SA-516-70N               |          |
| 206              | *8        | FLANGE 3/8" PL x 28 1/8" x 33" O.D.                                | SA-516-70                |          |
| 207              | 5         | FTB. SUPPORT W4 @ 13 x 80" LG                                      | SA-36                    |          |
| 208              | 5         | FTB. HOLDDOWN W4 @ 13 x 91 3/4" LG                                 | SA-36                    |          |
| 209              | 20        | PAD 3/8" PL x 6" x 8" LG   | SA-516-70                |          |
| 210              | 8         | FTB. GUIDE 3 x 3 x 3/8" x 40'-0" LG                                | SA-36                    |          |
| 211              | 1         | BAFFLE 1/4" PL x 86 1/2" x 107" LG                                 | SA-36                    |          |

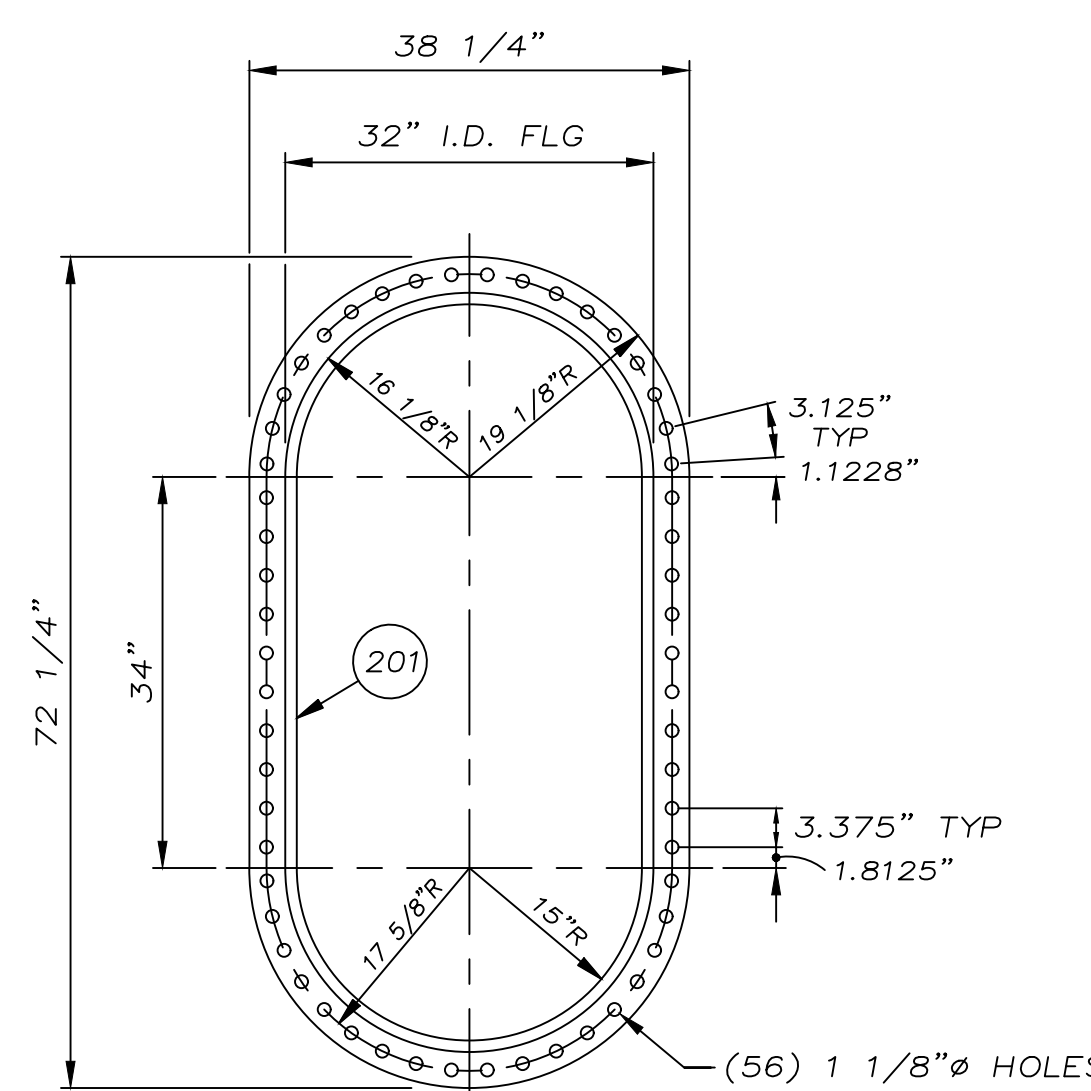
△ \* SUPPLY TO PRESSON FOUR (4) MATCHED & MARKED MATING FLANGES, SHIP LOOSE WITH VESSEL TO PRESSON TO BE WELDED BY PRESSON TO PRESSON SUPPLIED STACKS AND FLAME BOXES.



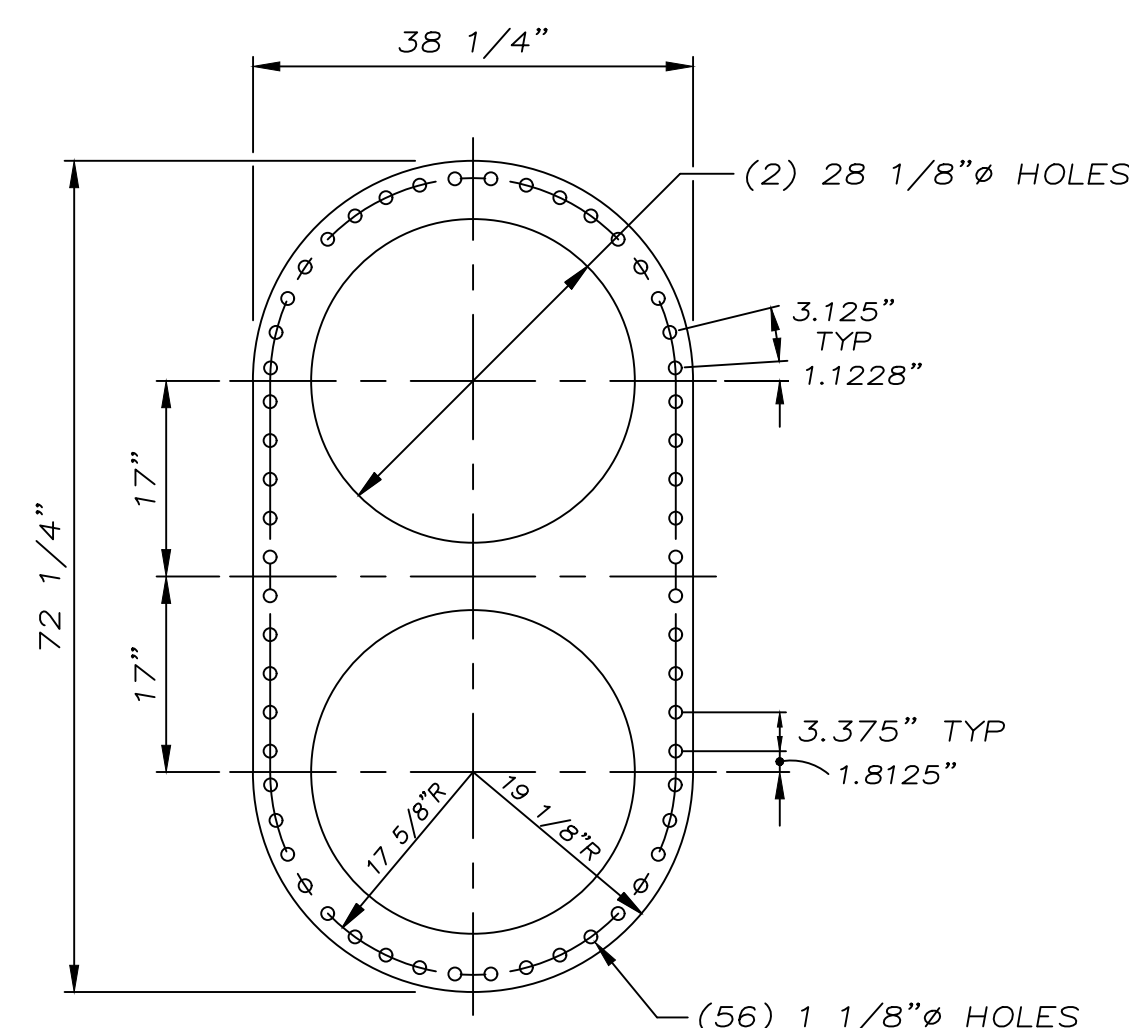
SECTION 'A-A'



ELEVATION



(200) OBROUND FLANGE DETAIL



(202) FIRETUBE BLIND FLANGE

THE INFORMATION ON THIS DRAWING IS THE PROPERTY OF CESSCO FABRICATION AND ENGINEERING LTD. AND MUST NOT BE RE-USED IN ANY WAY WITHOUT WRITTEN PERMISSION.

**CESSCO**

FABRICATION & ENGINEERING LIMITED  
A SUBSIDIARY OF CANADIAN ERECTORS LTD. EDMONTON, ALBERTA

|               |                            |             |   |
|---------------|----------------------------|-------------|---|
| CUSTOMER      | PRESSON MANUFACTURING LTD. | FINAL OWNER | RENAISSANCE ENERGY LTD.<br>CADOTTE LAKE |
| CUSTOMER P.O. | 112230-B6133-60            | TAG NO.     | H-820                                   |

FIRETUBE DETAILS  
AMINE REBOILER

PRESSON DRAWING NO. B6133-662

| REV | DESCRIPTION                       | DATE     | BY | CHKD   | APPR. |
|-----|-----------------------------------|----------|----|--------|-------|
| 3   | RELOCATED ITEM 211                | 10/16/97 | GM |        |       |
| 2   | REVISED FIRETUBE O.D. & LENGTH    | 10/7/97  | GM | GEM/AK | GC    |
| 1   | REVISED ITEM 206 QTY & TITLEBLOCK | 9/23/97  | GM | GEM/AK | GC    |

MANUAL CHANGES MADE-YES  NO  CAD DWG. FILE UPDATED-YES  NO  I.F. 24  
CERTIFIED "AS BUILT" BY: DATE:

|      |         |          |            |         |        |          |          |         |      |         |        |     |   |
|------|---------|----------|------------|---------|--------|----------|----------|---------|------|---------|--------|-----|---|
| DATE | 8/14/97 | DRAWN BY | GMacMILLAN | CHECKED | GEM/YH | APPROVED | G.CHABOT | JOB NO. | 3626 | DWG NO. | 3626-2 | REV | 3 |
|------|---------|----------|------------|---------|--------|----------|----------|---------|------|---------|--------|-----|---|