

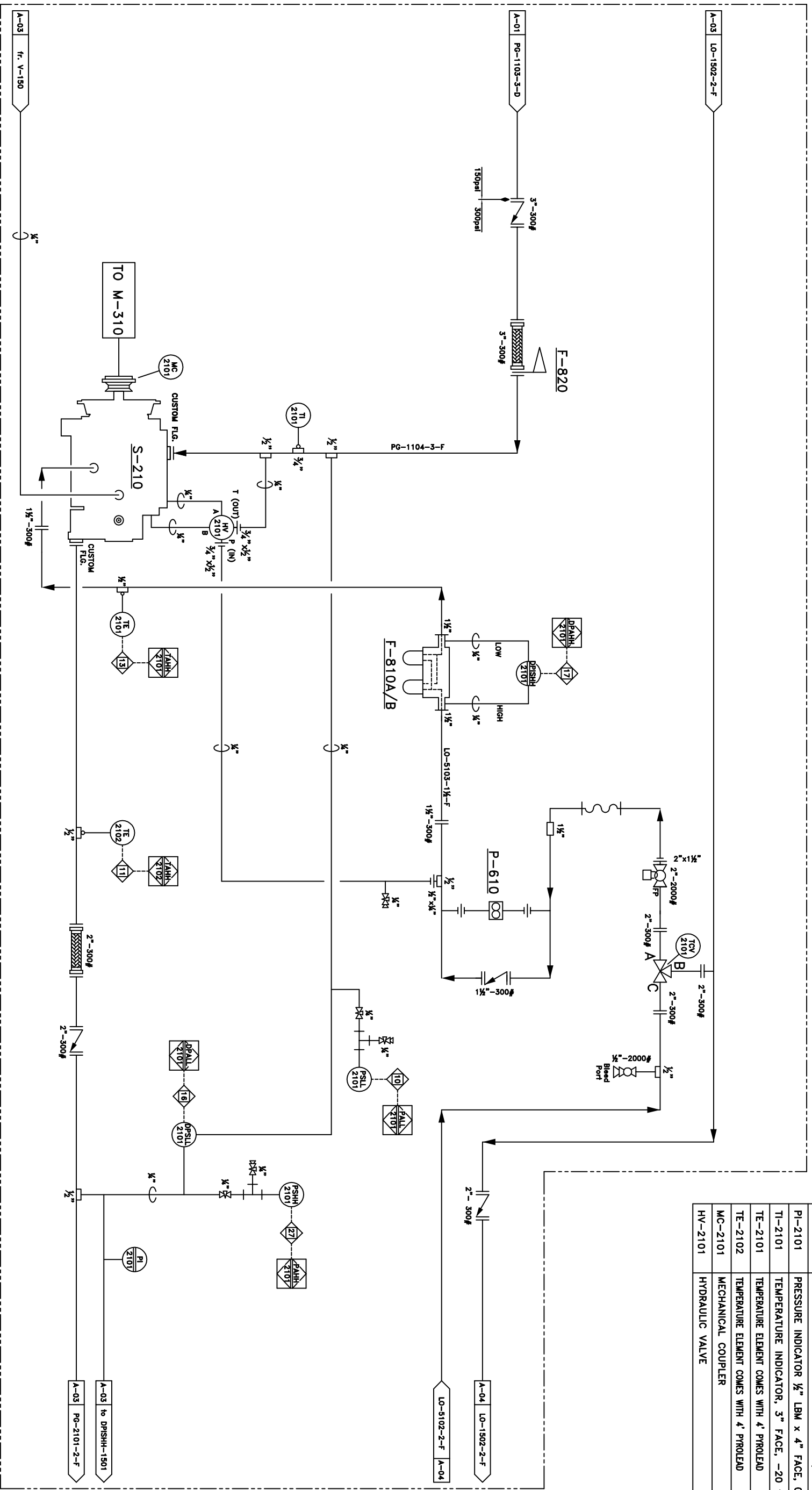
S-210
SCREW COMPRESSOR
 Manufacturer: GARDNER DENVER
 Model: SSM 699D
 BELL HOUSING MOUNTED
 Max. of 50psi Suction
 Max. of 300psi Discharge
 Fixed VI

P-610
LUBE OIL PUMP
 c/w GARDNER DENVER SSM SCREW

F-810A/B
OIL FILTERS
 Manufacturer: DONALDSON
 MAMP: 350psi @ 250°F
 Part: P169984
 Filter: P165569

F-820
CONICAL STRAINER
 Manufacturer: ALBERTA STRAINER
 Model: 3"-600#
 Type: STAINLESS STEEL
 40/40 MESH
 150% OPEN AREA

ITEM	DESCRIPTION	MAKE	MODEL
TCV-2101	THERMOSTATIC CONTROL VALVE, 340psi, SET @ 180°F	AMOT	2BHCT18001
DPSLL-2101	DIFFERENTIAL PRESSURE SWITCH, SET @ 25psi FALLING	CCS	604DJ2
DPSHH-2101	DIFFERENTIAL PRESSURE INDICATOR, 0-2000psi, SET @ 103.4psi RISING	MIDWEST	120-AA-00-Q(CA)
PSLL-2101	PRESSURE SWITCH LOW, SET @ 1psi Dec.	SOR	56AG-EF316 M4-C1A-NC
PSHH-2101	PRESSURE SWITCH HIGH, SET @ 285psi Inc.	CCS	6900GZE18
PI-2101	PRESSURE INDICATOR 1/2" LBM x 4" FACE, 0-2800Kpa	WIKA	SSLF
TI-2101	TEMPERATURE INDICATOR, 3" FACE, -20 to 120°C	TREND	2 1/2" STEM
TE-2101	TEMPERATURE ELEMENT COMES WITH 4' PROLEAD	WIKA	6" STEM
TE-2102	TEMPERATURE ELEMENT COMES WITH 4' PROLEAD	WIKA	6" STEM
MC-2101	MECHANICAL COUPLER	ARCUSAFLEX	ACT26NMF2115251
HV-2101	HYDRAULIC VALVE	CROSS	BA12AD5AEO



LINE TYPE LEGEND	
	PROCESS TUBING/ INSTRUMENT SUPPLY
	MAIN PROCESS GAS
	SECONDARY PROCESS
	UTILITY PROCESS
	PNEUMATIC SIGNAL
	HYDRAULIC SIGNAL
	ELECTRIC SIGNAL

REV.	DESCRIPTION	DATE	BY	CHKD	APPD
0	ISSUED FOR CONSTRUCTION	06-02-07	WST	SE	
1	AS BUILT	06-08-12	CAD	ENG	

ENERFLEX
 5221-46th St. Stirling, Alberta
 Box 1450, T0C 2L2
 Phone: 403.742.5538
 Fax: 403.742.5539

7400 SERIES COMPRESSOR
 G.D. SSM w/ 3306 NA ENGINE
 TRAILER MOUNTED, SOUR SERVICE

COMPANY: **PETRO CANADA**
 JOB NO.: 74162
 Drawn by: ASR
 Checked by:
 Approved by:
 DATE: 06-02-07
 SCALE: N.T.S.
 DRAWING NO.: CDL-74162-A-02
 REV.: 1