

**V-150**  
OIL COALESCING SEPARATOR

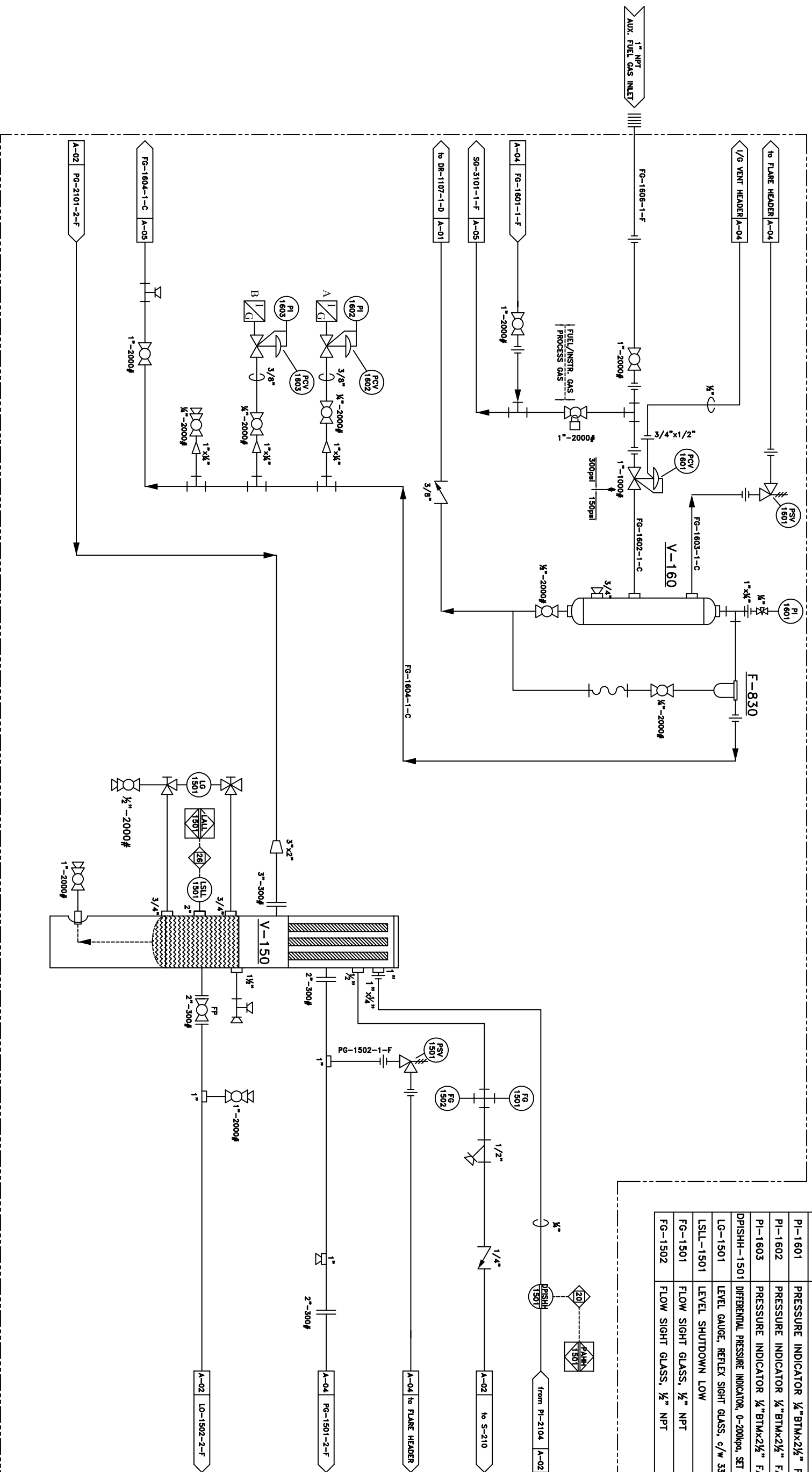
Manufacturer: PENFABCO LTD.  
Size: 20" x 50" S/S  
Rated: 350psi @ 250°F  
4 - 12" FILTERS  
3/8" CA

**V-160**  
FUEL GAS SCRUBBER

Manufacturer: ENERFLEX-STETTLER  
Size: 4" x 36" S/S  
Rated: 500psi @ 350°F

**F-830**  
FUEL GAS FILTER

Manufacturer: SPX AIR TREATMENT  
Model: 315A828  
Flow: 100 SCFM @ 100psi  
Element: 3161232  
MAWP: 250psi @ 150°F



**MATERIAL LIST**

| ITEM        | DESCRIPTION  | MAKE      | MODEL           |
|-------------|--|-----------|-----------------|
| PSV-1501    | PRESSURE SAFETY VALVE, 1"x1 1/2" NPT, SET @ 300psi             | MERCER    | F ORIFICE       |
| PSV-1601    | PRESSURE SAFETY VALVE, 1"x1" NPT, SET @ 100psi                 | MERCER    | E ORIFICE       |
| PCV-1601    | PRESSURE CONTROL VALVE, SPRING RANGE 70-150psi, 3/16" PORT     | FISHER    | 627-488         |
| PCV-1602    | PRESSURE CONTROL VALVE, SPRING RANGE 0-35psi                   | FISHER    | 67CFR-362TB     |
| PCV-1603    | PRESSURE CONTROL VALVE, SPRING RANGE 0-35psi                   | FISHER    | 67CFR-362TB     |
| PI-1601     | PRESSURE INDICATOR 1/2" BTMx2 1/2" FACE, 1400KPa               | WIKA      | SSLF            |
| PI-1602     | PRESSURE INDICATOR 1/2" BTMx2 1/2" FACE, 0-400KPa              | WIKA      | SSLF            |
| PI-1603     | PRESSURE INDICATOR 1/2" BTMx2 1/2" FACE, 0-400KPa              | WIKA      | SSLF            |
| DPISHH-1501 | DIFFERENTIAL PRESSURE INDICATOR, 0-200kpa, SET @ 138kpa RISING | MID-WEST  | 120-AA-00-Q(CA) |
| LG-1501     | LEVEL GAUGE, REFLEX SIGHT GLASS, c/w 3301 GAUGE VALVES         | PENBERTHY | 1RM-7STLINE     |
| LSLL-1501   | LEVEL SHUTDOWN LOW   | MURPHY    | L1200           |
| FG-1501     | FLOW SIGHT GLASS, 1/2" NPT                                     | AC&R      | SG-04           |
| FG-1502     | FLOW SIGHT GLASS, 1/2" NPT                                     | AC&R      | SG-04           |

**LINE TYPE LEGEND**

|  |                                      |
|--|--------------------------------------|
|  | PROCESS TUBING/<br>INSTRUMENT SUPPLY |
|  | MAIN PROCESS GAS                     |
|  | SECONDARY PROCESS                    |
|  | UTILITY PROCESS                      |
|  | PNEUMATIC SIGNAL                     |
|  | HYDRAULIC SIGNAL                     |
|  | ELECTRIC SIGNAL                      |

| REV. | DESCRIPTION             | DATE     | BY  | CHKD | APPD |
|------|-------------------------|----------|-----|------|------|
| 1    | AS BUILT                | 06-08-12 | ASR | ENG  |      |
| 0    | ISSUED FOR CONSTRUCTION | 06-02-07 | ASR | WST  | SE   |

5221-46th St. Stirling, Alberta  
Box 1450, T0C 2L2  
Phone: 403.742.5538  
Fax: 403.742.5539

**7400 SERIES COMPRESSOR**  
G.D. SSM w/ 3306 NA ENGINE  
TRAILER MOUNTED, SOUR SERVICE

COMPANY: PETRO CANADA  
Drawn by: ASR  
Checked by:  
Approved by:  
DATE: 06-02-07  
SCALE: N.T.S.  
JOB NO.: 74162  
DRAWING NO.: CDL-74162-A-03  
REV.: 1