
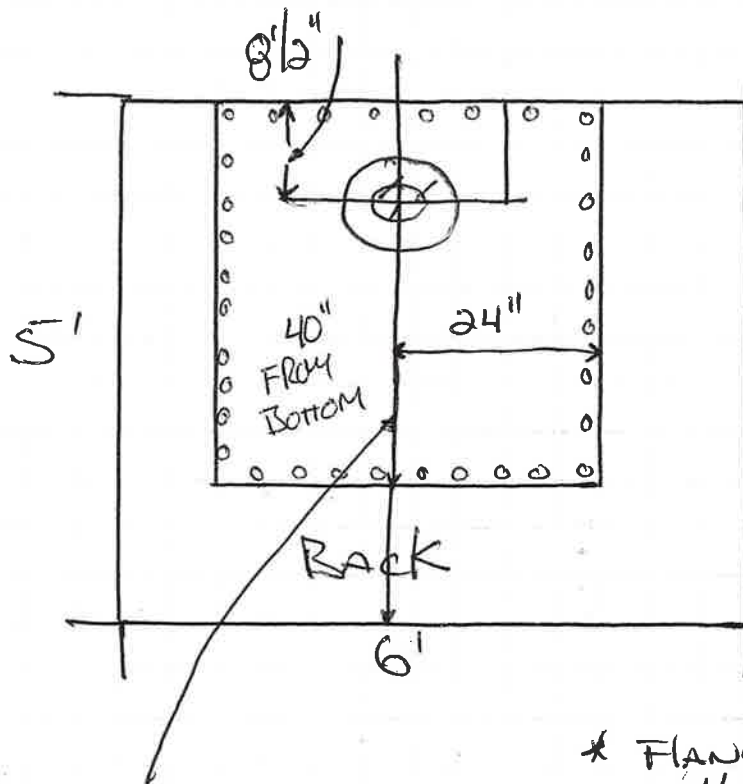


JOB No.:	TO:	FROM:	 <p>11207 Tahltan Road, Fort St John, BC V1J 6G8</p>
SUBJECT:	DATE:	PAGE OF	
	PHONE:	FAX:	

TANK # 1 BACK




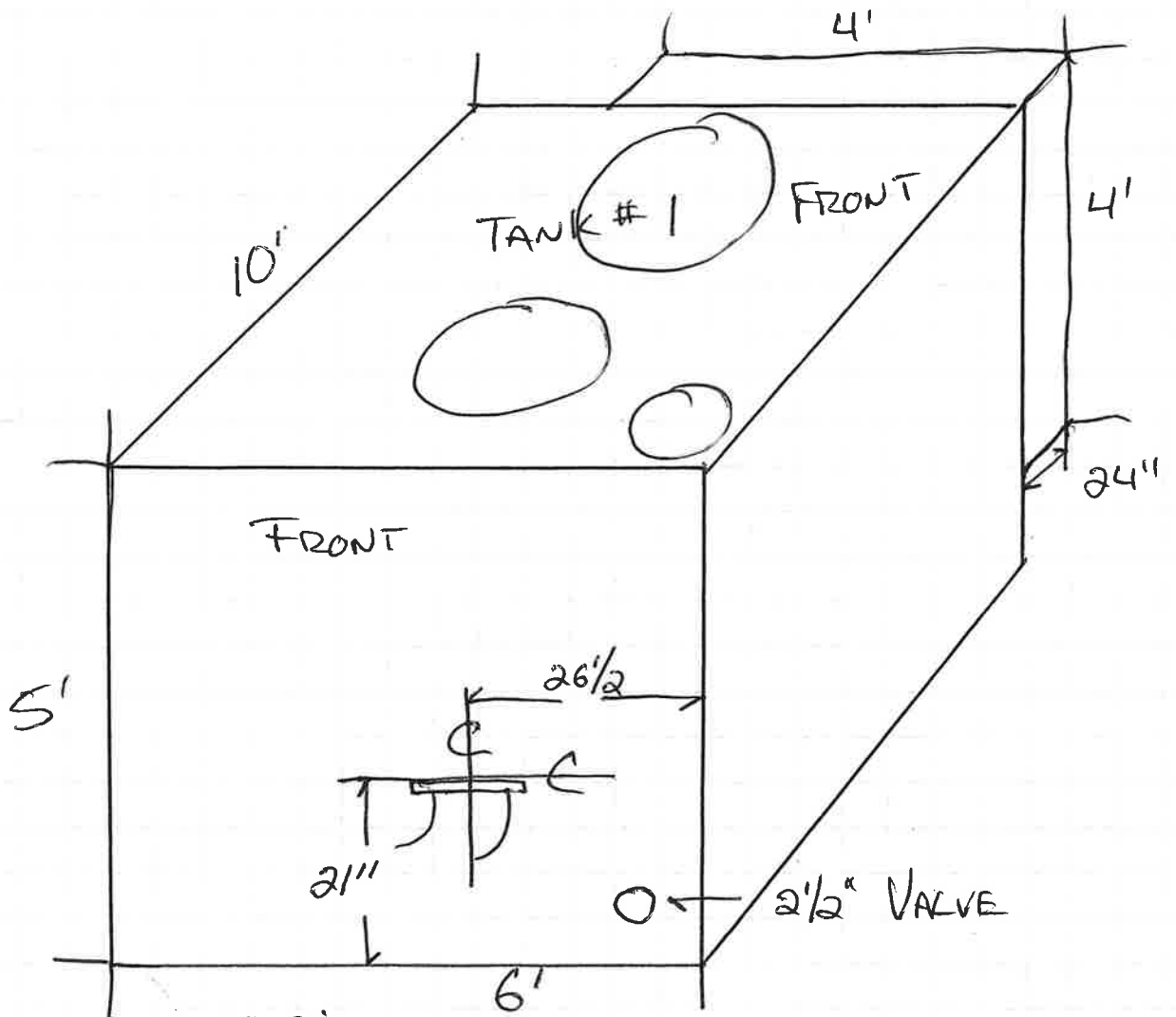
* 4 1/2" PIPE
* 9" FLANGE

* CENTRE OF FLANGE TO TOP OF TANK IS 8 1/2"


* FLANGE FACE IS 4 1/2" AWAY FROM TANK

CENTRE OF FLANGE IS 52" FROM BOTTOM OF ACTUAL TANK

JOB No.:	TO:	FROM:	 11207 Tahltan Road, Fort St John, BC V1J 6G8
SUBJECT:	DATE:	PAGE OF	
	PHONE:	FAX:	



- * 8" PIPE
- * 13 1/2" FLANGE
- * CENTRE OF FLANGE IS 11" AWAY FROM TANK FACE

JOB No.:	TO:	FROM:	 11207 Tahltan Road, Fort St John, BC V1J 6G8
SUBJECT:	DATE:	PAGE OF	
	PHONE:	FAX:	

#2 TANK SAME DRAWING
(FRONT)

- * 8" PIPE
- * 13 1/2 FLANGE
- * CENTRE OF FLANGE AWAY FROM TANK FACE IS 14 3/4"
- * CENTRE OF FLANGE FROM BOTTOM OF TANK IS 25"
- * CENTRE OF FLANGE FROM RIGHT SIDE OF TANK IS 24"

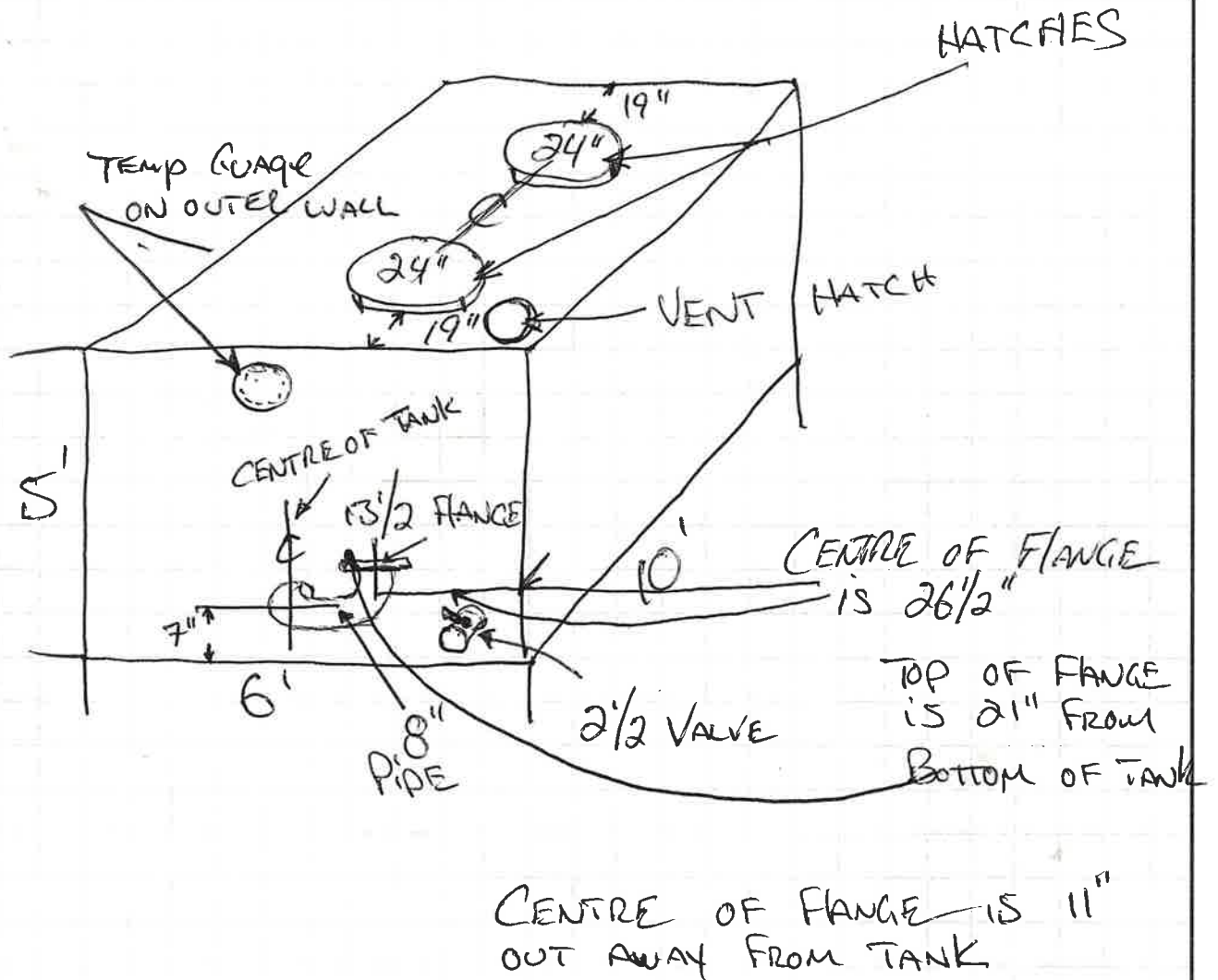
#2 TANK BACK.

- * 4 1/2" PIPE
- * 9" FLANGE
- * CENTRE OF FLANGE IS 7" DOWN FROM TOP OF TANK 40 1/2 FROM BOTTOM OF TANK HATCH
- * CENTRE OF FLANGE FROM RIGHT SIDE IS 24" THIS IS CENTRED ON BACK HATCH
- * CENTRE OF FLANGE IS 52 1/2" FROM BOTTOM OF ACTUAL TANK

JOB No.:	TO:	FROM:
SUBJECT:	DATE:	PAGE OF
	PHONE:	FAX:



11207 Tahltan Road, Fort St John, BC V1J 6G8



JOB No.:	TO:	FROM:
SUBJECT:	DATE:	PAGE OF
	PHONE:	FAX:



11207 Tahltan Road, Fort St John, BC V1J 6G8

