

INTERMOUNTAIN ELECTRONICS, Inc.

”Dependable Solutions for Demanding Requirements”

DRAWINGS FOR

BOREAS OTF PDC-1000

FOR

PDC ENERGY

PROJECT NO. 217250-1-1

SEPTEMBER 19



www.intermountainelectronics.com

IFR 1.3

1511 SOUTH HIGHWAY 6 PRICE, UT 84501
PHONE: (435) 637-7160 FAX: (435) 637-9601

8221 EAST 96TH AVE, UNIT A, HENDERSON, CO 80640
PHONE: (720) 409-1000

100 VALLEY DRIVE SOUTH POINT, OHIO 45680
PHONE: (740) 414-4770 FAX: (606) 644-0432

400 SWAN AVENUE, CENTRALIA, IL 62801
PHONE: (618) 214-1063 FAX: (606) 644-0442

SHEET INDEX

SHEET NO.	DRAWING NO.	SHEET TITLE	FILE NAME
--	--	COVER SHEET	COVER.dwg
1	G-1	SHEET INDEX	G-1.dwg
ELECTRICAL DRAWINGS			
2	E-1	EQUIPMENT LAYOUT - 1	E-1.dwg
3	E-2	GROUNDING DETAIL - 1	E-2.dwg
4	E-3	WIRING SCHEMATIC - 1	E-3.dwg
5	E-4	WIRING SCHEMATIC - 2	E-4.dwg
6	E-5	WIRING SCHEMATIC - 3	E-5.dwg
7	E-6	WIRING SCHEMATIC - 4	E-6.dwg
8	E-7	WIRING SCHEMATIC - 5	E-7.dwg
MECHANICAL DRAWINGS			
1	M-1	COVER SHEET	217250-1-1 DFT-1.dft
2	M-2	BUILDING NOTES	217250-1-1 DFT-1.dft
3	M-3	EXTERIOR FRONT & REAR ELEVATIONS	217250-1-1 DFT-1.dft
4	M-4	EXTERIOR LEFT & RIGHT ELEVATIONS	217250-1-1 DFT-1.dft
5	M-5	EQUIPMENT LAYOUT - PLAN VIEW	217250-1-1 DFT-1.dft
6	M-6	EQUIPMENT LAYOUT - FRONT WALL	217250-1-1 DFT-1.dft
7	M-7	EQUIPMENT LAYOUT - REAR WALL	217250-1-1 DFT-1.dft
8	M-8	EQUIPMENT LAYOUT - END WALLS	217250-1-1 DFT-1.dft
9	M-9	CABLE TRAY LAYOUT	217250-1-1 DFT-1.dft
10	M-10	CABLE TRAY DETAILS	217250-1-1 DFT-1.dft
11	M-11	PERIMETER CHANNEL CUT LIST	217250-1-1 DFT-1.dft
12	M-12	FOUNDATION DETAILS	217250-1-1 DFT-1.dft
13	M-13	INSULATION DETAILS	217250-1-1 DFT-1.dft
14	M-14	SIDING ATTACHMENT	217250-1-1 DFT-1.dft
15	M-15	WALL PANEL CONNECTION	217250-1-1 DFT-1.dft
16	M-16	SKID LAYOUT	217250-1-1 DFT-1.dft
17	M-17	FLOOR OPENINGS	217250-1-1 DFT-1.dft
18	M-18	SKID CUT LIST	217250-1-1 DFT-1.dft
19	M-19	SKID CUT LIST DETAILS	217250-1-1 DFT-1.dft
20	M-20	PLATFORM CONNECTION PLATES	217250-1-1 DFT-1.dft
21	M-21	WELD DETAILS	217250-1-1 DFT-1.dft
22	M-22	BEND INFORMATION	217250-1-1 DFT-1.dft
23	M-23	BEND INFORMATION	217250-1-1 DFT-1.dft
24	M-24	BEND INFORMATION	217250-1-1 DFT-1.dft
25	M-25	BEND INFORMATION	217250-1-1 DFT-1.dft
26	M-26	PLATFORMS, STAIRS	217250-1-1 DFT-1.dft
27	M-27	STANDARD PLATFORM WELD DETAILS	217250-1-1 DFT-1.dft
28	M-28	GRATING DETAILS	217250-1-1 DFT-1.dft
29	M-29	3' X 4.5' LS LANDING	217250-1-1 DFT-1.dft

SHEET INDEX

SHEET NO.	DRAWING NO.	SHEET TITLE	FILE NAME
MECHANICAL DRAWINGS			
30	M-30	3' X 4.5' LS LANDING CUT LIST	217250-1-1 DFT-1.dft
31	M-31	3' X 4.5' RS LANDING	217250-1-1 DFT-1.dft
32	M-32	3' X 4.5' RS LANDING CUT LIST	217250-1-1 DFT-1.dft
33	M-33	6' X 12' LS LANDING	217250-1-1 DFT-1.dft
34	M-34	6' X 12' LS LANDING CUT LIST	217250-1-1 DFT-1.dft
35	M-35	6' X 12' RS LANDING	217250-1-1 DFT-1.dft
36	M-36	6' X 12' RS LANDING CUT LIST	217250-1-1 DFT-1.dft
37	M-37	HANDRAIL DETAILS	217250-1-1 DFT-1.dft
38	M-38	LS STAIR RUN	217250-1-1 DFT-1.dft
39	M-39	LS STAIR RUN PARTS LIST	217250-1-1 DFT-1.dft
40	M-40	LS STAIR RUN CUT LIST	217250-1-1 DFT-1.dft
41	M-41	RS STAIR RUN	217250-1-1 DFT-1.dft
42	M-42	RS STAIR RUN PARTS LIST	217250-1-1 DFT-1.dft
43	M-43	RS STAIR RUN CUT LIST	217250-1-1 DFT-1.dft
44	M-44	LIFT PLAN	217250-1-1 DFT-1.dft
45	M-45	LIFTING EYE DETAIL	217250-1-1 DFT-1.dft

THIS DOCUMENT CONTAINS CONFIDENTIAL AND/OR PROPRIETARY INFORMATION. ANY USE, REVIEW, RETRANSMISSION, DISSEMINATION OR OTHER USE OF, OR PURSUING OF ANY ACTION IN RELIANCE UPON THIS INFORMATION IS STRICTLY PROHIBITED WITHOUT PROPER AUTHORIZATION FROM INTERMOUNTAIN ELECTRONICS.



- 1511 SOUTH HIGHWAY 6 PRICE, UT 84501
PHONE: (435) 637-7160 FAX: (435) 637-9601
- 8221 EAST 96TH AVE, UNIT A, HENDERSON, CO 80640
PHONE: (720) 409-1000
- 100 VALLEY DRIVE SOUTH POINT, OHIO 45680
PHONE: (740) 444-7770 FAX: (606) 644-0432
- 400 SWAN AVENUE, CENTRALIA, IL 62801
PHONE: (618) 244-1063 FAX: (606) 644-0442

IFR 1.3

PDC ENERGY
BOREAS OTF PDC-1000
SHEET INDEX

REVISIONS

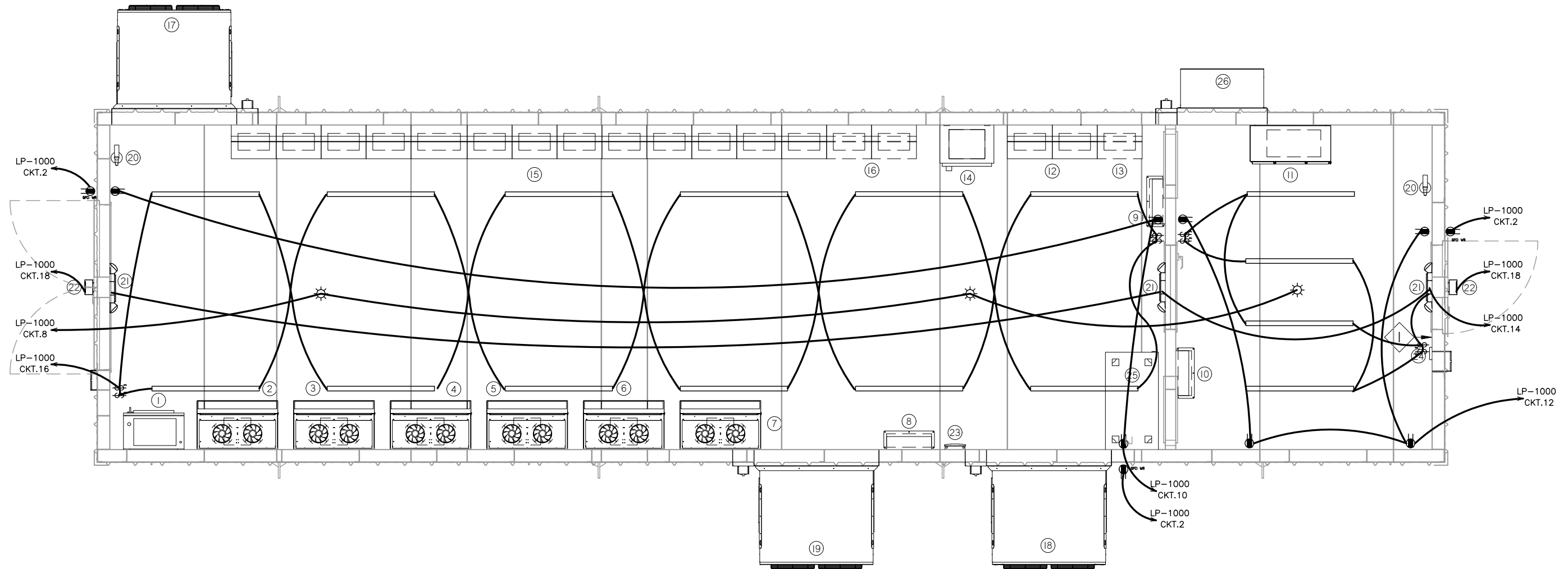
NO:	DATE:	DESCRIPTION:	MADE BY:	AUTH. BY:
A				
B				
C				
D				
E				
F				

DRAWN BY: P. COLOSIMO
 CHECKED BY: L. ISRAEL
 APPROVED BY: _____
 DATE: SEPTEMBER 19 2018
 PROJECT NO.
217250-1-1

DRAWING NO.
G-1
 SHT 1 OF 8

LIGHTING PLAN

100
101
102
103
104
105
106
107
108
109
110
111
112
113
114
115
116
117
118
119
120
121
122
123
124
125
126
127
128
129
130
131
132
133
134
135
136
137



ELECTRICAL LEGEND	
SYMBOL	DESCRIPTION
	48" INTERIOR LED LIGHT FIXTURE, 120V MFG: COOPER, PN: 4SLSTP4040DD-UNV
	DOUBLE POLE LIGHT SWITCH MFG: HUBBEL PN: CS320W
	EXTERIOR LED LIGHT FIXTURE, 120V MFG: LUMARK, PN: XTOR48-PC1
	DUPLEX GFCI EXT. RECEPTACLE MFG: PASS & SEYMOUR PN: 2095TRWRW, WITH IN-USE COVER MFG: INTERMATIC P/N: WP-3100C
	DUPLEX GFCI INT. RECEPTACLE MFG: HUBBEL PN: CR20WHI
	COMBO EMERGENCY EXIT LIGHT MFG: LITHONIA PN: ECRLEDJR
	SMOKE DETECTOR MFG: KIDDE PN: 21006377

EQUIPMENT LIST				EQUIPMENT LIST			
Item Number	Quantity	Description	Weight	Item Number	Quantity	Description	Weight
1	1	AHF-1000	480	14	1	ATS-1000	300
2	1	VFD-5013F	300	15	1	MCC-1000 (13 SECTIONS)	7250
3	1	VFD-5013E	300	16	1	MCC-FUTURE SECTION (2 SECTIONS)	1100
4	1	VFD-5013D	300	17	1	7.5 TON HVAC	1160
5	1	VFD-5013C	300	18	2	7.5 TON HVAC	2320
6	1	VFD-5013B	300	19	1	2-TON MARVAIR HVAC	375
7	1	VFD-5013A	300	20	2	FIRE EXTINGUISHER	15
8	1	PP-1000	75	21	2	EMERGENCY EXIT LIGHT	15
9	1	LP-1000	75	22	2	EXTERIOR LED LIGHT	15
10	1	UPD-1000	75	23	1	COMMSTAT	10
11	1	PLC CABINET	400	24	1	TSTAT	5
12	1	MCC-2000 (2 SECTIONS)	1100	25	1	UPS & BATTERIES	1015
13	1	MCC-FUTURE SECTION (1 EACH)	550				

1511 SOUTH HIGHWAY 6 PRICE, UT 84501
 PHONE: (435) 637-7160 FAX: (435) 637-9601
 8221 EAST 96TH AVE, UNIT A, HENDERSON, CO 80640
 PHONE: (720) 409-1000
 100 VALLEY DRIVE SOUTH POINT, OHIO 45680
 PHONE: (740) 44-4770 FAX: (606) 644-0432
 400 SWAN AVENUE, CENTRALIA, IL 62801
 PHONE: (618) 244-1063 FAX: (606) 644-0442

IFR 1.3

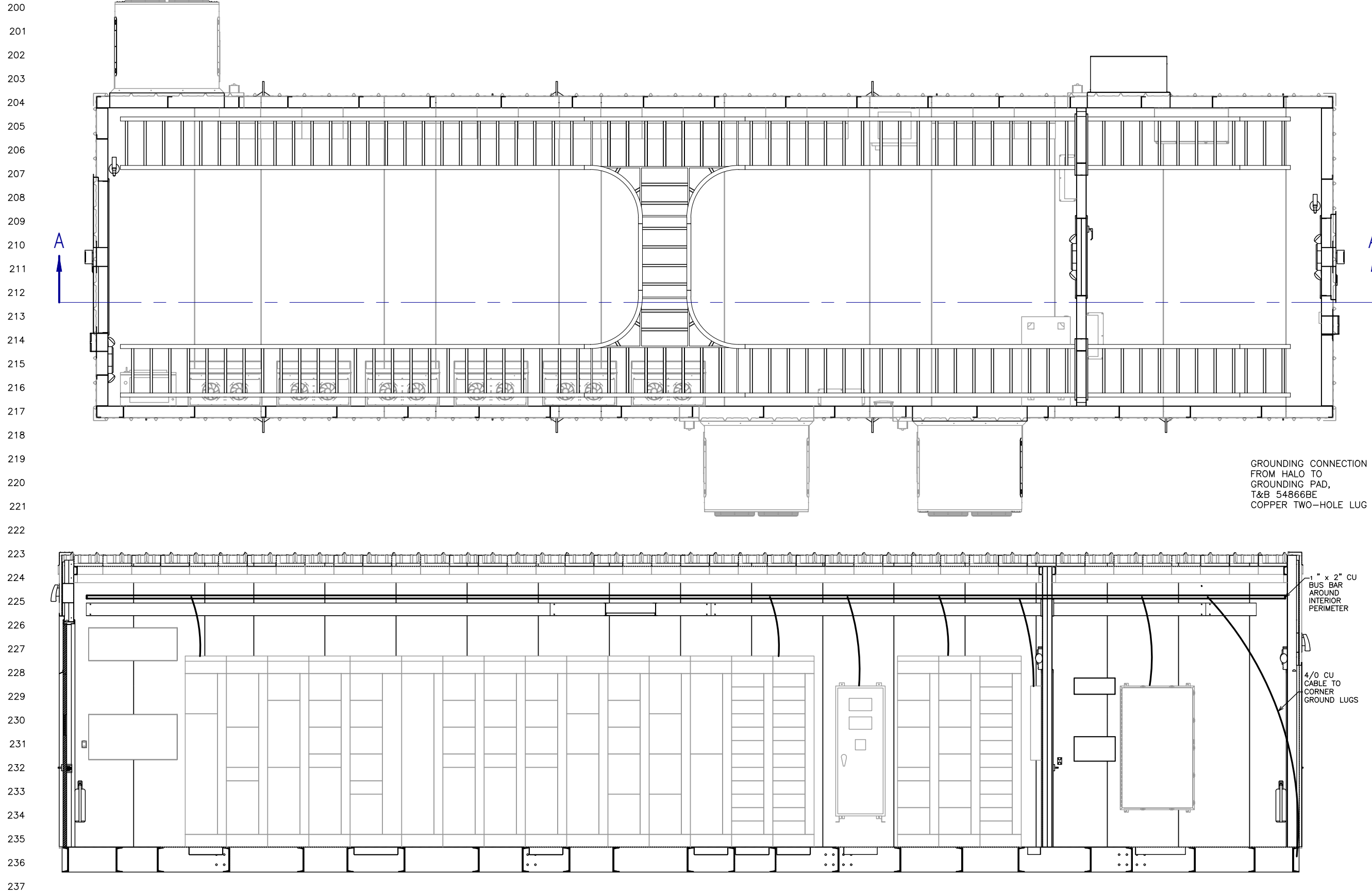
PDC ENERGY
BOREAS OTF PDC-1000
POWER DISTRIBUTION CENTER

REVISIONS				
NO:	DATE:	DESCRIPTION:	MADE BY:	AUTH. BY:
A				
B	6/26/2017	REVISED PER CUSTOMER COMMENTS	L.I.	
C				
D				
E				
F				

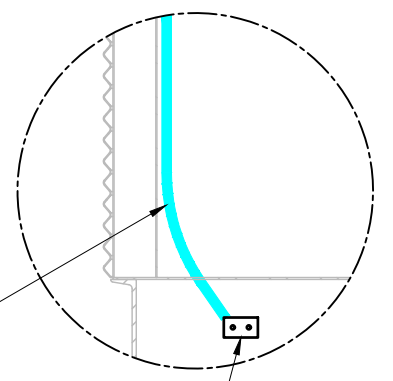
DRAWN BY: P. COLOSIMO
 CHECKED BY: L. ISRAEL
 APPROVED BY: _____
 DATE: SEPTEMBER 19 2018
 PROJECT NO.
217250-1-1

DRAWING NO.
E-1
 SHT 2 OF 8

F:\ACAD\PDC ENERGY\JOB_FOLDER_217250-1-1_PDC-1000\8. ELECTRICAL_DRAWINGS\E-2.DWG



- NOTES:**
1. ALL PANELS, CONTROL CABINETS, AUTOMATIC TRANSFER SWITCHES AND OTHER MAJOR ELECTRICAL EQUIPMENT SOLIDLY GROUNDED TO BUILDING GROUND BUS BAR TO SUBSTATION GROUND GRID EQUIPMENT GROUNDING SIZED PER NFPA 70, 250.112
 2. EXTEND GROUND/BONDING CONDUCTOR FROM ELECTRICAL PANELS/EQUIPMENT TO BUILDING BUS BAR.
 3. STAINLESS STEEL GROUND LUGS NEAR ALL FOUR EXTERIOR CORNERS OF BASE FRAME.



GROUNDING CONNECTION FROM HALO TO GROUNDING PAD, T&B 54866BE COPPER TWO-HOLE LUG

GROUND PAD

1" x 2" CU BUS BAR AROUND INTERIOR PERIMETER

4/0 CU CABLE TO CORNER GROUND LUGS

GROUNDING DETAIL

151 SOUTH HIGHWAY 6 PRICE, UT 84501
 PHONE: (435) 637-7160 FAX: (435) 637-9601
 8221 EAST 96TH AVE, UNIT A, HENDERSON, CO 80640
 PHONE: (720) 409-1000
 100 VALLEY DRIVE SOUTH POINT, OHIO 45680
 PHONE: (740) 44-4770 FAX: (606) 644-0432
 400 SWAN AVENUE, CENTRALIA, IL 62801
 PHONE: (618) 244-1063 FAX: (606) 644-0442

IFR 1.3

PDC ENERGY
BOREAS OTF PDC-1000
POWER DISTRIBUTION CENTER

REVISIONS					
NO:	DATE:	DESCRIPTION:	MADE BY:	AUTH. BY:	
A					
B					
C					
D					
E					
F					

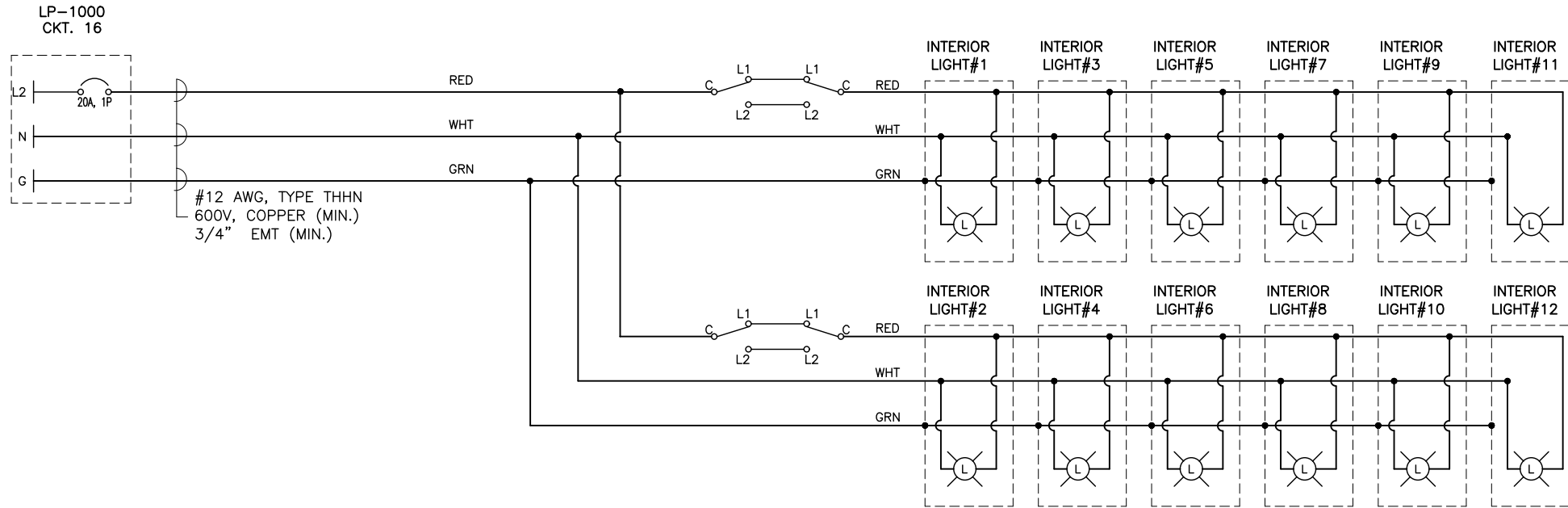
DRAWN BY: P. COLOSIMO
 CHECKED BY: L. ISRAEL
 APPROVED BY: _____
 DATE: SEPTEMBER 19 2018
 PROJECT NO.
217250-1-1

DRAWING NO.
E-2
 SHT 3 OF 8

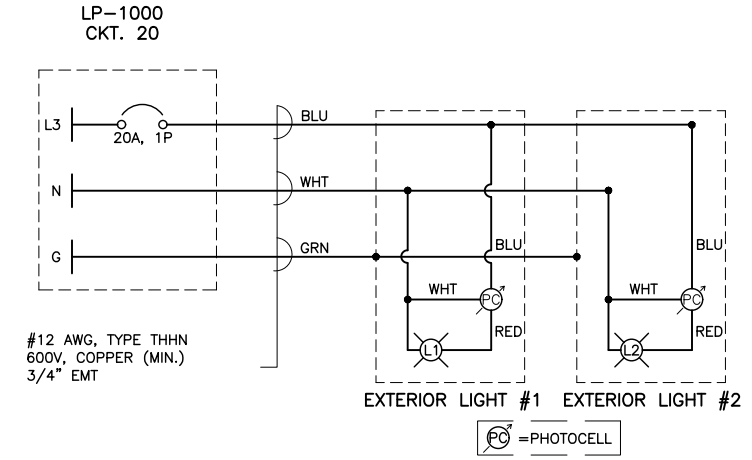
F:\ACAD\PDC ENERGY\JOB_FOLDER_217250-1-1_PDC-1000\8. ELECTRICAL_DRAWINGS\E-3.DWG

300
301
302
303
304
305
306
307
308
309
310
311
312
313
314
315
316
317
318
319
320
321
322
323
324
325
326
327
328
329
330
331
332
333
334
335
336
337

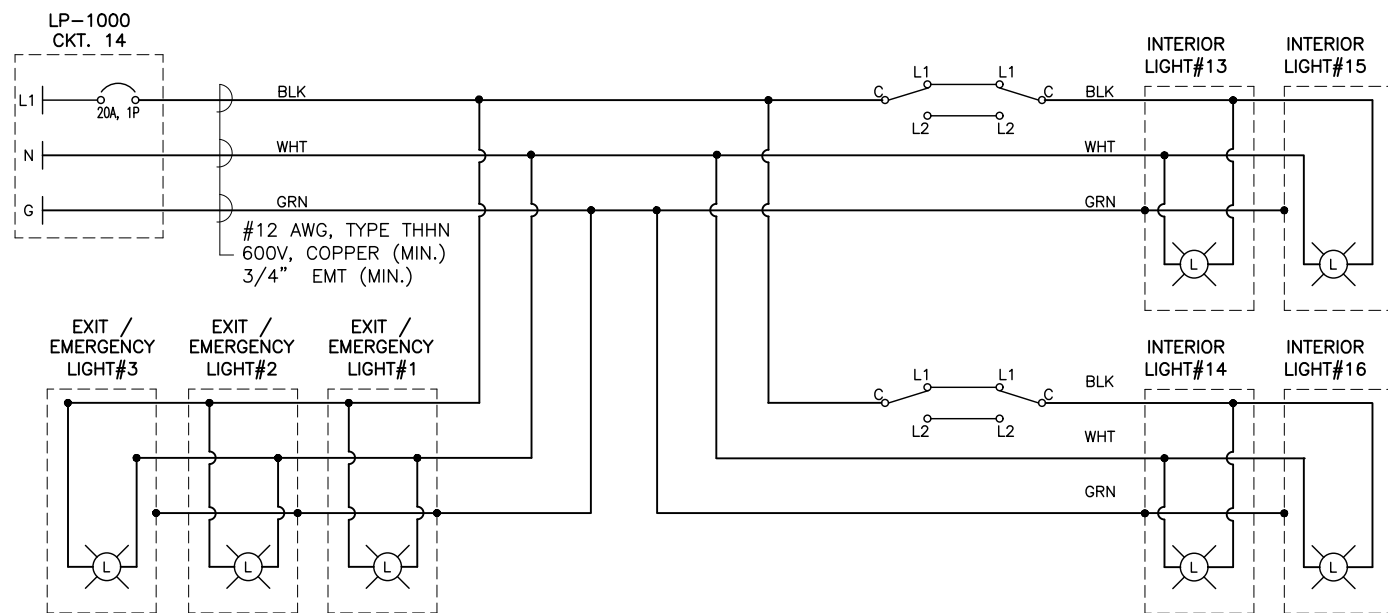
MCC ROOM LIGHTS



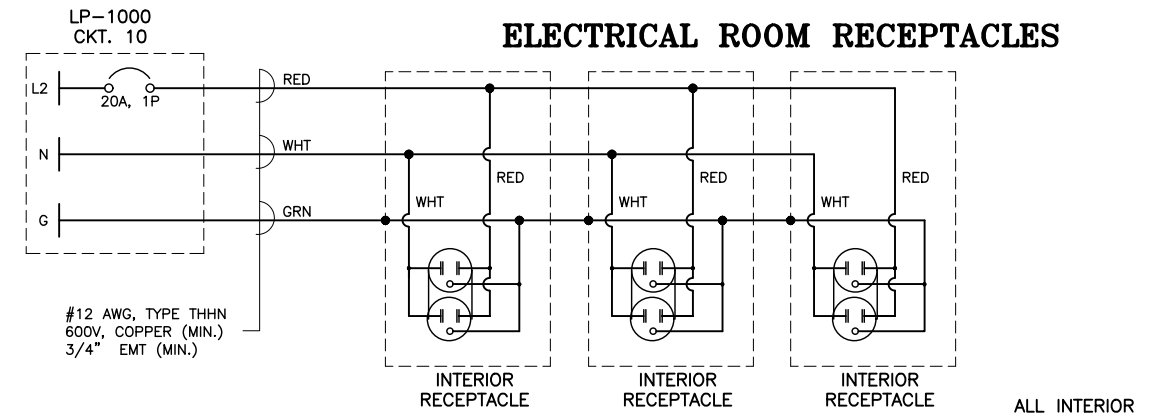
EXTERIOR LIGHTS



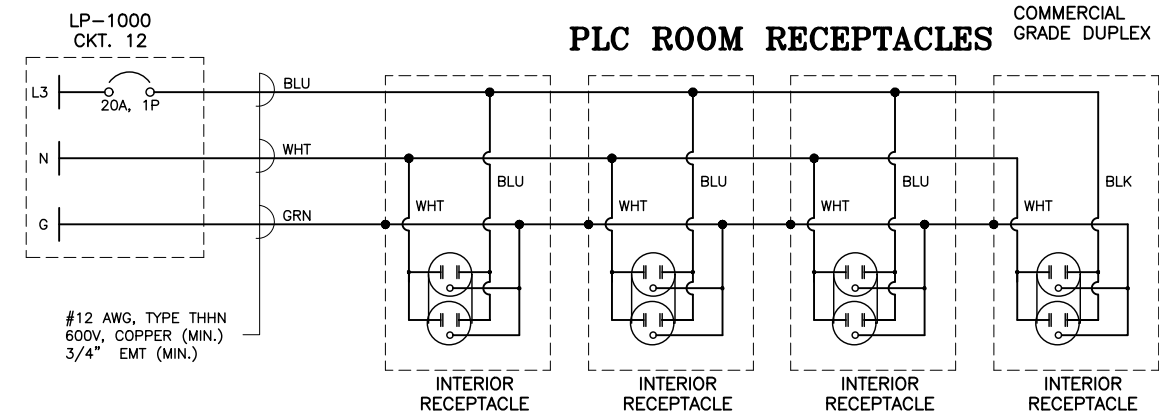
PLC ROOM LIGHTS



ELECTRICAL ROOM RECEPTACLES



PLC ROOM RECEPTACLES



PDC ENERGY
BOREAS OTF PDC-1000
POWER DISTRIBUTION CENTER

IFR 1.3

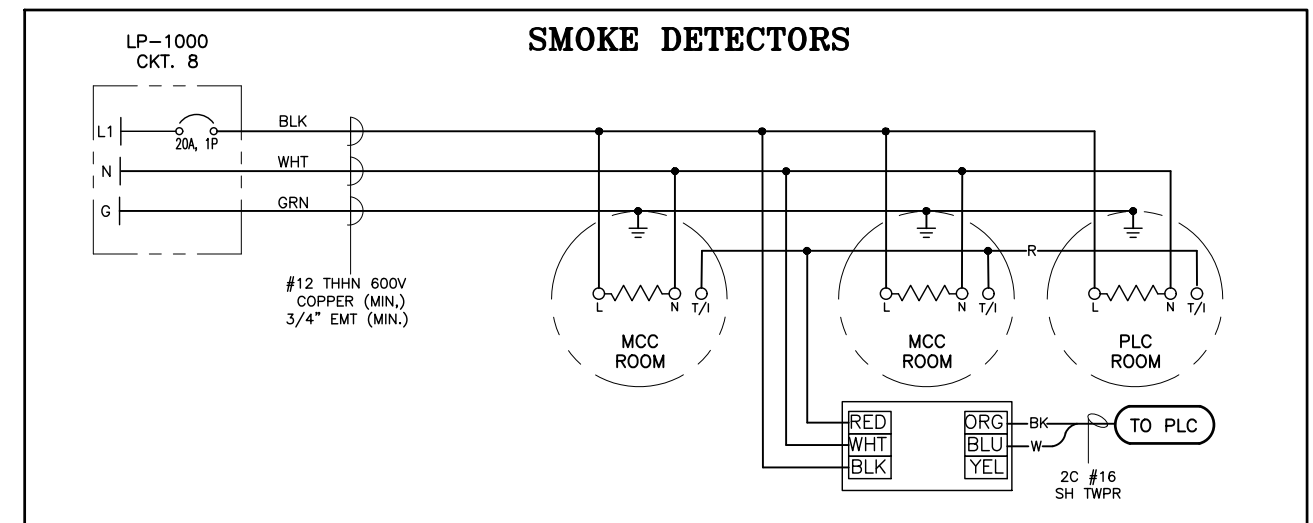
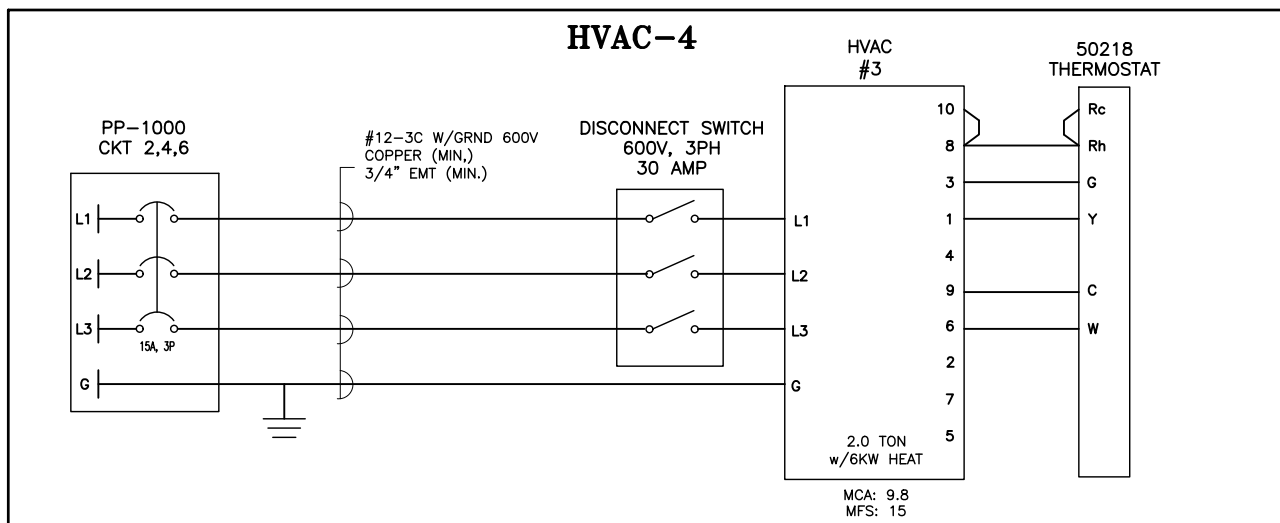
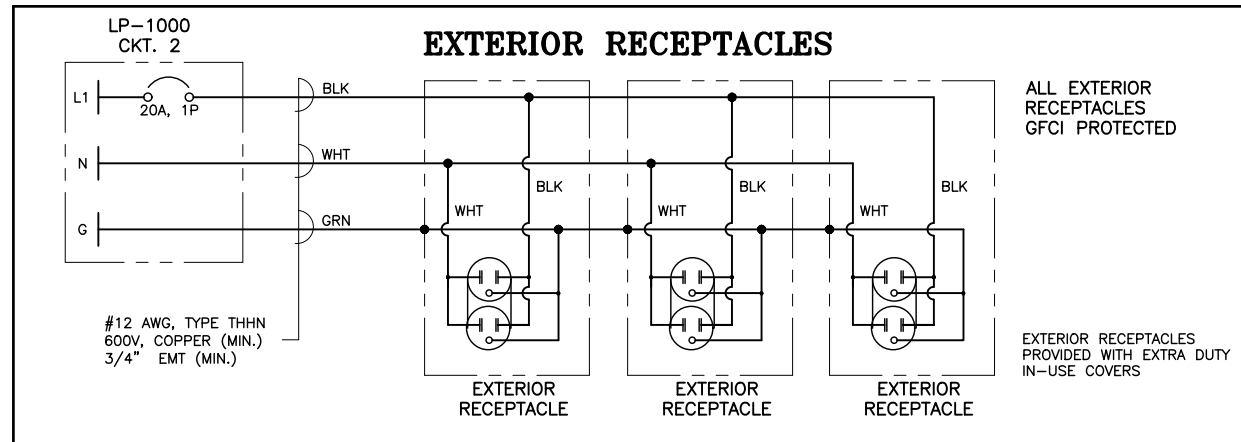
REVISIONS					
NO:	DATE:	DESCRIPTION:	MADE BY:	AUTH. BY:	
A					
B					
C					
D					
E					
F					

DRAWN BY: P. COLOSIMO
CHECKED BY: L. ISRAEL
APPROVED BY: _____
DATE: SEPTEMBER 19 2018
PROJECT NO. **217250-1-1**

DRAWING NO. **E-3**
SHT **4** OF **8**

1511 SOUTH HIGHWAY 6 PRICE, UT 84501
 PHONE: (435) 637-7160 FAX: (435) 637-9601
 8221 EAST 96TH AVE, UNIT A, HENDERSON, CO 80640
 PHONE: (720) 409-1000
 100 VALLEY DRIVE SOUTH POINT, OHIO 45680
 PHONE: (740) 444-7770 FAX: (606) 644-0432
 400 SWAN AVENUE, CENTRALIA, IL 62801
 PHONE: (618) 244-1063 FAX: (606) 644-0442

400
401
402
403
404
405
406
407
408
409
410
411
412
413
414
415
416
417
418
419
420
421
422
423
424
425
426
427
428
429
430
431
432
433
434
435
436
437



- NOTES:**
- PANELBOARD PP-100 IS 480V.
 - BRANCH CIRCUITS SIZED FOR A MAXIMUM DROP OF 3%. FEEDER CONDUCTORS SIZED FOR A MAXIMUM DROP OF 2% AT DESIGN LOAD.

1511 SOUTH HIGHWAY 6 PRICE, UT 84501
 PHONE: (435) 637-7160 FAX: (435) 637-9601
 8221 EAST 96TH AVE, UNIT A, HENDERSON, CO 80640
 PHONE: (720) 409-1000
 100 VALLEY DRIVE SOUTH POINT, OHIO 45680
 PHONE: (740) 44-4770 FAX: (606) 644-0432
 400 SWAN AVENUE, CENTRALIA, IL 62801
 PHONE: (618) 244-1063 FAX: (606) 644-0442

IFR 1.3

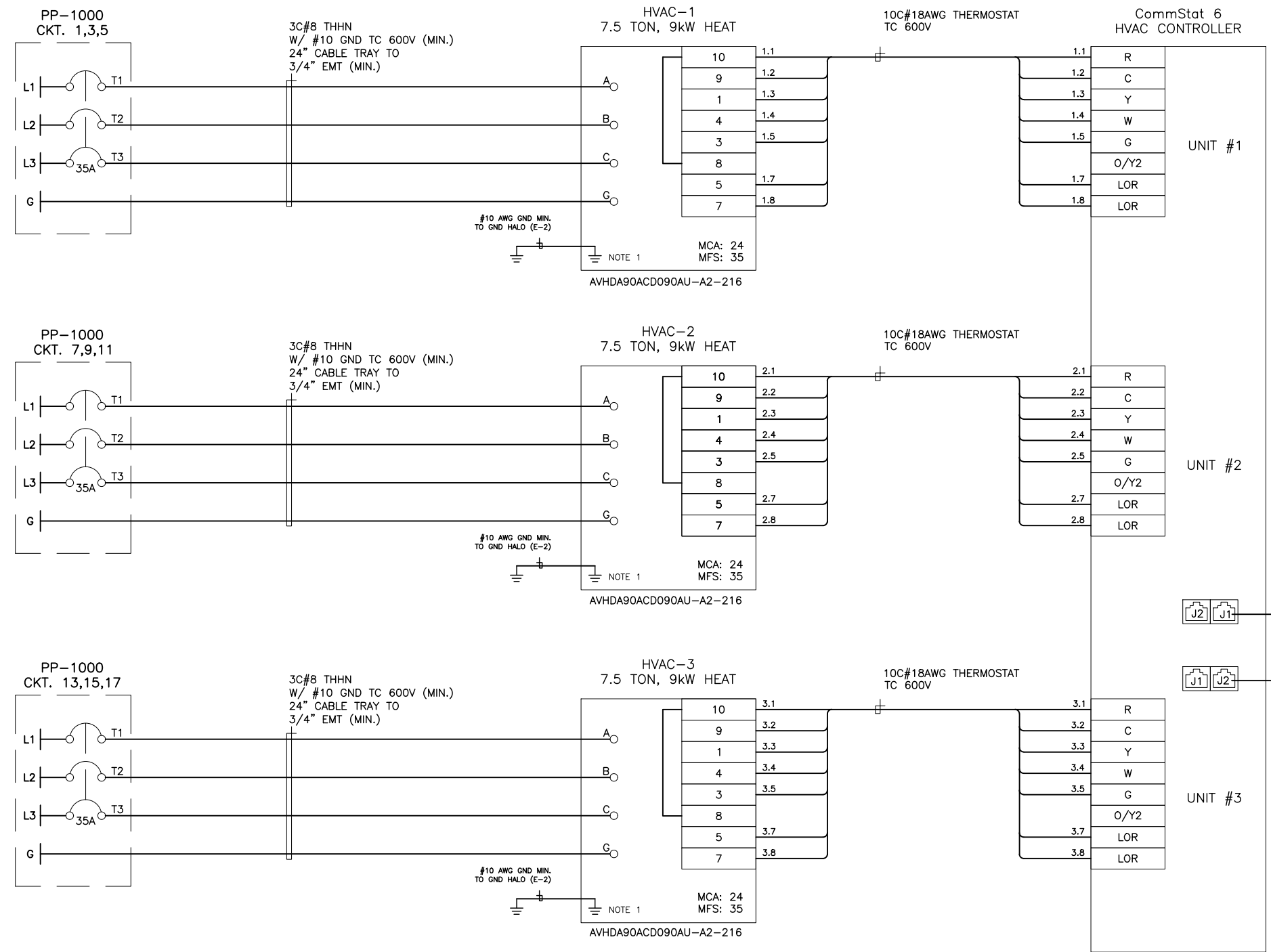
PDC ENERGY
BOREAS OTF PDC-1000
POWER DISTRIBUTION CENTER

REVISIONS				
NO:	DATE:	DESCRIPTION:	MADE BY:	AUTH. BY:
A				
B				
C				
D				
E				
F				

DRAWN BY: P. COLOSIMO
 CHECKED BY: L. ISRAEL
 APPROVED BY: _____
 DATE: SEPTEMBER 19 2018
 PROJECT NO.
217250-1-1

DRAWING NO.
E-4
 SHT 5 OF 8

500
501
502
503
504
505
506
507
508
509
510
511
512
513
514
515
516
517
518
519
520
521
522
523
524
525
526
527
528
529
530
531
532
533
534
535
536
537



- NOTES:**
- PANELBOARD PP-1000 IS 480V.
 - BRANCH CIRCUITS SIZED FOR A MAXIMUM DROP OF 3%. FEEDER CONDUCTORS SIZED FOR A MAXIMUM DROP OF 2% AT DESIGN LOAD.

THIS DOCUMENT CONTAINS CONFIDENTIAL AND/OR PROPRIETARY INFORMATION. ANY USE, REVIEW, RETRANSMISSION, DISSEMINATION OR OTHER USE OF, OR PURSUING OF ANY ACTION IN RELIANCE UPON THIS INFORMATION IS STRICTLY PROHIBITED WITHOUT PROPER AUTHORIZATION FROM INTERMOUNTAIN ELECTRONICS.

1511 SOUTH HIGHWAY 6 PRICE, UT 84501
PHONE: (435) 637-7160 FAX: (435) 637-9601

8221 EAST 96TH AVE, UNIT A, HENDERSON, CO 80640
PHONE: (720) 409-1000

100 VALLEY DRIVE SOUTH POINT, OHIO 45680
PHONE: (740) 444-7770 FAX: (606) 644-0432

400 SWAN AVENUE, CENTRALIA, IL 62801
PHONE: (618) 244-1063 FAX: (606) 644-0442

IFR 1.3

PDC ENERGY

BOREAS OTF PDC-1000

POWER DISTRIBUTION CENTER

REVISIONS				
NO:	DATE:	DESCRIPTION:	MADE BY:	AUTH. BY:
A				
B				
C				
D				
E				
F				

DRAWN BY: P. COLOSIMO

CHECKED BY: L. ISRAEL

APPROVED BY: _____

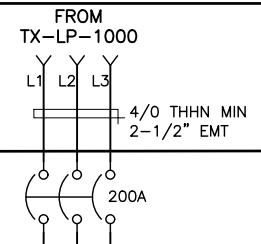
DATE: SEPTEMBER 19 2018

PROJECT NO.
217250-1-1

DRAWING NO.
E-5

SHT 6 OF 8

600
601
602
603
604
605
606
607
608
609
610
611
612
613
614
615
616
617
618
619
620
621
622
623
624
625
626
627
628
629
630
631
632
633
634
635
636
637



100% VA	CIRCUIT NUMBER	CIRCUIT NAME	BREAKER SIZE	BREAKER SIZE	CIRCUIT NAME	CIRCUIT NUMBER	100% VA
	1	SPARE	30A	20A	EXTERIOR GFI RECEPTACLES 180W X 3 = 540W	2	540
	3		20A	20A	SPARE GFI	4	
	5	SPARE	30A	20A	SPARE GFI	6	
	7		20A	20A	SMOKE DETECTORS (10W X 2)	8	20
	9	SPARE	30A	20A	ELECTRICAL ROOM RECEPTACLES 180W X 3 = 540	10	540
	11		20A	20A	PLC ROOM RECEPTACLES 180W X 4 = 720W	12	720
	13	SPARE	20A	20A	PLC ROOM LIGHTS 43W X 4 = 172W	14	172
	15	SPARE	20A	20A	ELECTRICAL ROOM LIGHTS 43W X 12 = 516W	16	516
	17	SPARE	20A	20A	EXTERIOR PDC LIGHTS 38W X 2 = 76W	18	76
	19	SPARE	20A	20A	SPARE	20	
	21	SPARE	20A	20A	SPARE	22	
	23	SPARE	20A	20A	SPARE	24	
	25	SPARE	20A	20A	SPARE	26	
	27	SPARE	20A	20A	SPARE	28	
	29	BLANK			BLANK	30	
	31	BLANK			BLANK	32	
	33	BLANK			BLANK	34	
	35	BLANK			BLANK	36	
	37	BLANK			BLANK	38	
	39	BLANK			BLANK	40	
	41	BLANK			BLANK	42	

NOTES:

- PANELBOARD/CIRCUIT BREAKERS SUPPLIED BY OWNER.
- FUTURE PANEL LOAD VERIFICATION TO BE PERFORMED BY OWNER ENGINEER.
- LOADS SHOWN ARE BASED UPON WORST CASE CONDITIONS AND DO NOT REPRESENT CONTINUOUS LOADS
- BRANCH CIRCUITS SIZED FOR A MAXIMUM DROP OF 3%. FEEDER CONDUCTORS SIZED FOR A MAXIMUM DROP OF 2% AT DESIGN LOAD.

TOTAL VA @100%	2584
TOTAL VA @125%	3230
TOTAL AMPERAGE TOTAL VA/(208 X 1.732)	7.17
TOTAL AMPERAGE @ 125%	8.97

1511 SOUTH HIGHWAY 6 PRICE, UT 84501
 PHONE: (435) 637-7160 FAX: (435) 637-9601
 8221 EAST 96TH AVE, UNIT A, HENDERSON, CO 80640
 PHONE: (720) 409-1000
 100 VALLEY DRIVE SOUTH POINT, OHIO 45680
 PHONE: (740) 44-4770 FAX: (606) 644-0432
 400 SWAN AVENUE, CENTRALIA, IL 62801
 PHONE: (618) 244-1063 FAX: (606) 644-0442

IFR 1.3

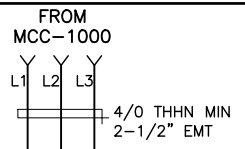
PDC ENERGY
BOREAS OTF PDC-1000
POWER DISTRIBUTION CENTER

REVISIONS				
NO:	DATE:	DESCRIPTION:	MADE BY:	AUTH. BY:
A				
B				
C				
D				
E				
F				

DRAWN BY: P. COLOSIMO
 CHECKED BY: L. ISRAEL
 APPROVED BY: _____
 DATE: SEPTEMBER 19 2018
 PROJECT NO.
217250-1-1

DRAWING NO.
E-6
 SHT 7 OF 8

700
701
702
703
704
705
706
707
708
709
710
711
712
713
714
715
716
717
718
719
720
721
722
723
724
725
726
727
728
729
730
731
732
733
734
735
736
737




PP-1000
480Y/277,
200A 3P MAIN LUG,
3φ, 3W, 65KAIC

100% VA	CIRCUIT NUMBER	CIRCUIT NAME	BREAKER SIZE		BREAKER SIZE	CIRCUIT NAME	CIRCUIT NUMBER	100% VA
	1		30A	●	30A		2	2715
6651	3	HVAC-1	30A	●	30A	HVAC-4	4	2715
6651	5		35A	●	15A		6	2715
6651	7		30A	●	30A		8	
6651	9	HVAC-2	30A	●	30A	SPARE	10	
6651	11		35A	●	20A		12	
6651	13		30A	●	30A		14	
6651	15	HVAC-3	30A	●	30A	SPARE	16	
6651	17		35A	●	20A		18	
	19		30A	●	30A		20	
	21	SPARE	30A	●	30A	SPARE	22	
	23		30A	●	30A		24	
	25		30A	●	30A		26	
	27	SPARE	30A	●	30A	SPARE	28	
	29		30A	●	30A		30	
	31		30A	●	30A		32	
	33	SPARE	30A	●	30A	SPARE	34	
	35		30A	●	30A		36	
	37		30A	●	30A		38	
	39	SPARE	30A	●	30A	SPARE	40	
	41		50A	●	50A		42	

NOTES:

- PANELBOARD/CIRCUIT BREAKERS SUPPLIED BY OWNER.
- FUTURE PANEL LOAD VERIFICATION TO BE PERFORMED BY OWNER ENGINEER.
- LOADS SHOWN ARE BASED UPON WORST CASE CONDITIONS AND DO NOT REPRESENT CONTINUOUS LOADS
- BRANCH CIRCUITS SIZED FOR A MAXIMUM DROP OF 3%. FEEDER CONDUCTORS SIZED FOR A MAXIMUM DROP OF 2% AT DESIGN LOAD.

TOTAL VA @100% 68004
 TOTAL VA @125% 85005
 TOTAL AMPERAGE TOTAL VA/(480 X 1.732) 81.80
 TOTAL AMPERAGE @ 125% 102.25



www.intermountainelectronics.com

- 1511 SOUTH HIGHWAY 6 PRICE, UT 84501
PHONE: (435) 637-7160 FAX: (435) 637-9601
- 8221 EAST 96TH AVE, UNIT A, HENDERSON, CO 80640
PHONE: (720) 409-1000
- 100 VALLEY DRIVE SOUTH POINT, OHIO 45680
PHONE: (740) 444-7770 FAX: (606) 644-0432
- 400 SWAN AVENUE, CENTRALIA, IL 62801
PHONE: (618) 244-1063 FAX: (606) 644-0442

IFR 1.3

PDC ENERGY

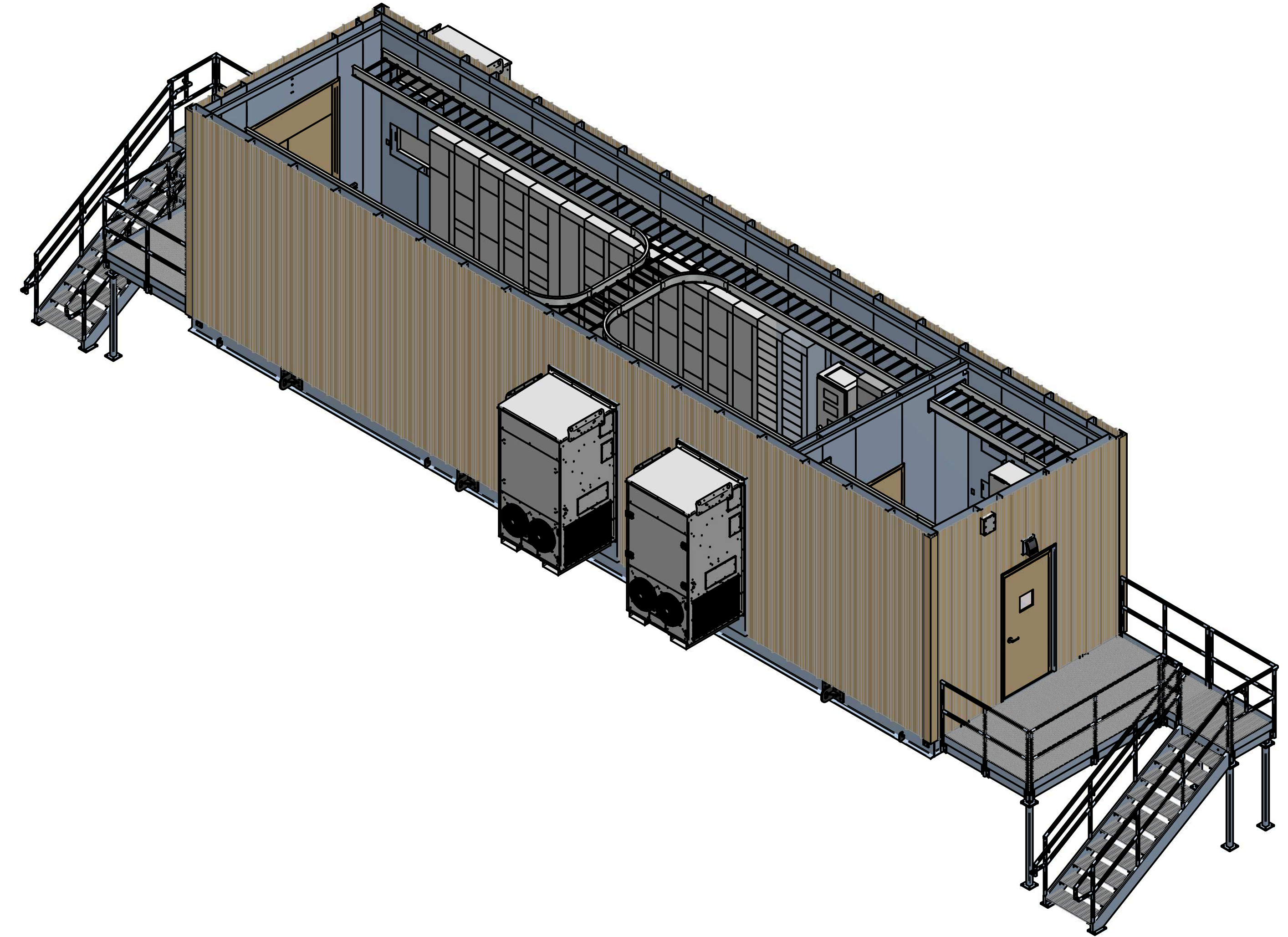
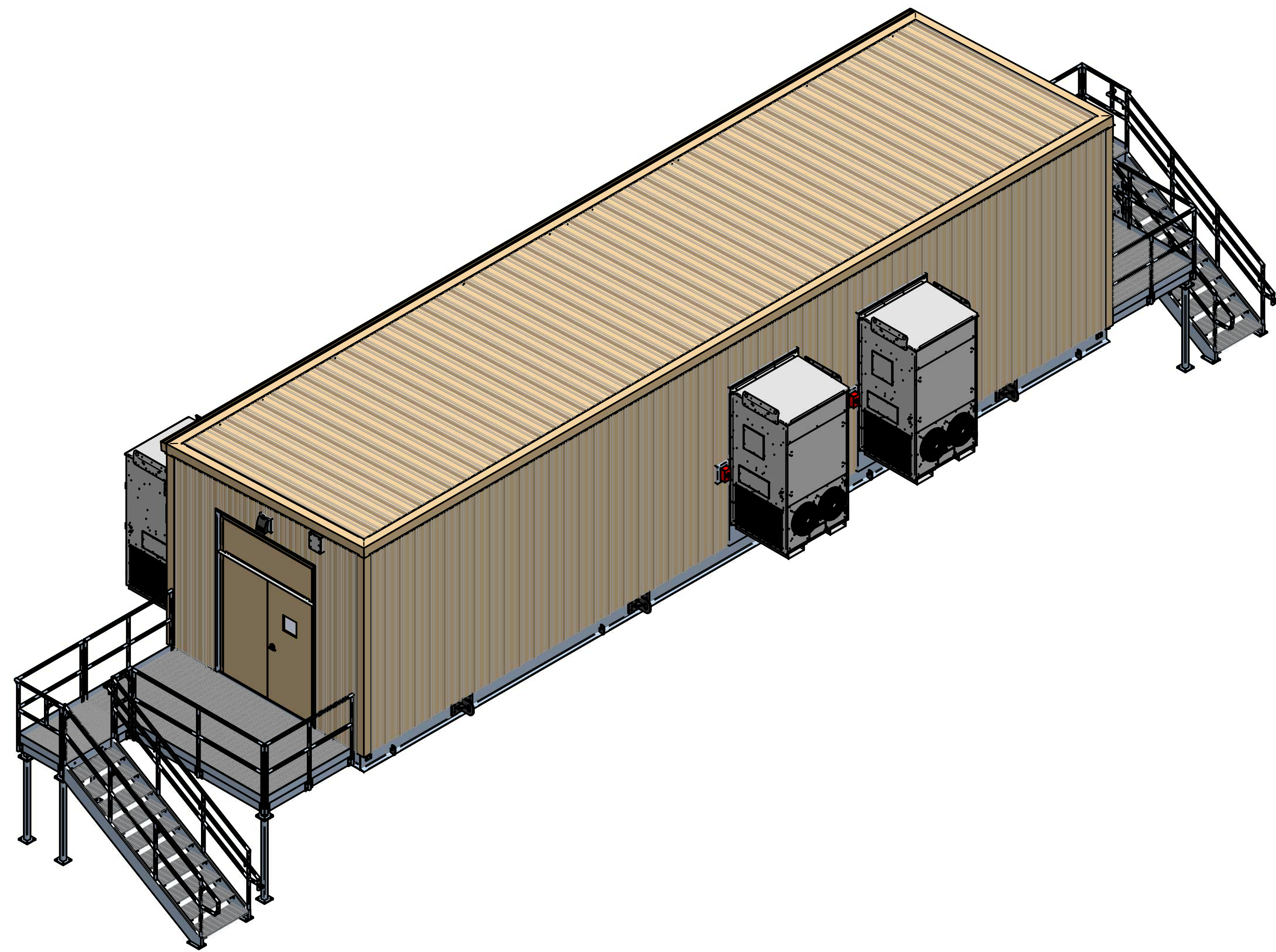
BOREAS OTF PDC-1000

POWER DISTRIBUTION CENTER

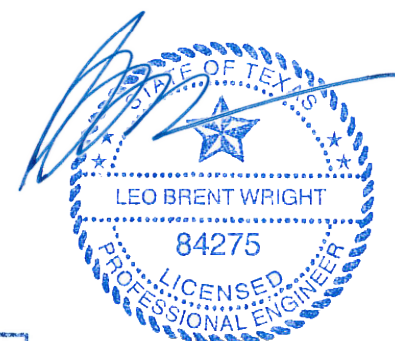
REVISIONS				
NO:	DATE:	DESCRIPTION:	MADE BY:	AUTH. BY:
A				
B				
C				
D				
E				
F				

DRAWN BY: P. COLOSIMO
 CHECKED BY: L. ISRAEL
 APPROVED BY: _____
 DATE: SEPTEMBER 19 2018
 PROJECT NO.
217250-1-1

DRAWING NO.
E-7
 SHT 8 OF 8



PDC ENERGY
PDC-1000
IE JOB# 217250-1-1



THE ACCOMPANYING PROFESSIONAL ENGINEER'S SEAL APPLIES TO THE STRUCTURAL ELEMENTS ONLY.

Wright Engineers
Firm #: 14071
09/11/2018



- 1511 SOUTH HIGHWAY 6, PRICE, UT 84501
PHONE: (435) 637-7160 FAX: (435) 637-9601
- 8221 EAST 96TH AVE, UNIT A, HENDERSON, CO 80640
PHONE: (720) 409-1000
- 100 VALLEY DRIVE, SOUTHPOINT, OH 45680
PHONE: (740) 414-4770 FAX: (606) 644-0432
- 400 SWAN AVENUE, CENTRALIA, IL 62801
PHONE: (618) 214-1063 FAX: (606) 644-0442

THIS DOCUMENT CONTAINS CONFIDENTIAL AND/OR PROPRIETARY INFORMATION. ANY USE, REVIEW, RETRANSMISSION, DISSEMINATION OR OTHER USE OF, OR PURSUING OF ANY ACTION IN RELIANCE UPON THIS INFORMATION IS STRICTLY PROHIBITED WITHOUT PROPER AUTHORIZATION FROM INTERMOUNTAIN ELECTRONICS.

PDC ENERGY
PDC-1000

REVISIONS

Rev:	Date:	Description:	By:	Approved:
FR 2.0	8/30/2018	ISSUED FOR REVIEW 2.0 - UPDATED PER P. E. L. REDLINES DATED 8/29/2018	WR	JY
FR 3.0	9/4/2018	ISSUED FOR REVIEW 3.0 - UPDATED PER P. E. L. AND ENGINEER REDLINES DATED 8/31/2018	WR	JY
IFC 1.0	9/7/2018	ISSUED FOR CONSTRUCTION	WR	JY
			NA	NA
			NA	NA
			NA	NA
			NA	NA

DRAWN BY: wrasmussen
ENGINEERED BY: J.S.Y., M.E.
APPROVED BY: -
DATE: 7/25/2018
PROJECT NO. 217250-1-1
REV. IFC 1.0

DRAWING NO. M-1
SHT 1 OF 45

End-User:
PDC Energy
Pecos, TX 79772
USA

Site Location:
Pecos, TX 79772
USA

IE Job number: 217250-1-1

Sheet Index:

- M-1- Cover Sheet
- M-2- Building Notes
- M-3- Exterior Front & Rear Elevations
- M-4- Exterior Left & Right Elevations
- M-5- Equipment Layout – Plan View
- M-6- Equipment Layout – Front Wall
- M-7- Equipment Layout – Rear Wall
- M-8- Equipment Layout – End Walls
- M-9- Cable Tray Layout
- M-10- Cable Tray Details
- M-11- Perimeter Channel Cut List
- M-12- Foundation Details
- M-13- Insulation Details
- M-14- Siding Attachment
- M-15- Wall Panel Connection
- M-16- Skid Layout
- M-17- Floor Openings
- M-18- Skid Cut List
- M-19- Skid Cut List Details
- M-20- Platform Connection Plates
- M-21- Weld Details
- M-22- Bend Information
- M-23- Bend Information
- M-24- Bend Information
- M-25- Bend Information
- M-26- Platforms/Stairs
- M-27- Standard Platform Weld Details
- M-28- Grating Details
- M-29- 3' x 4.5' LS Landing
- M-30- 3' x 4.5' LS Landing Cut List
- M-31- 3' x 4.5' RS Landing
- M-32- 3' x 4.5' RS Landing Cut List
- M-33- 6' x 12' LS Landing
- M-34- 6' x 12' LS Landing Cut List
- M-35- 6' x 12' RS Landing
- M-36- 6' x 12' RS Landing Cut List
- M-37- Handrail Details
- M-38- LS Stair Run
- M-39- LS Stair Run Parts List
- M-40- LS Stair Run Cut List
- M-41- RS Stair Run
- M-42- RS Stair Run Parts List
- M-43- RS Stair Run Cut List
- M-44- Lift Plan
- M-45- Lifting Eye Detail



THE ACCOMPANYING PROFESSIONAL ENGINEER'S SEAL APPLIES TO THE STRUCTURAL ELEMENTS ONLY

Design Criteria:

- Occupancy Risk Category: III
- Occupancy Type: S-2
- Construction Type: V-B
- Fire Separation Distance: >= 10 ft.
- Number of Stories: 1
- Design Occupant Load: 3
- Area: 650 sq. ft.
- Shipping Weight: 63,500 lbs.
- Shipping Dimensions: 13'-1 1/2" H x 13'-11" W x 51'-1 1/2" L (excludes ship loose HVAC's, future field installed equipment, and cable tray)
- Building Dimensions: 13'-1 1/2" H x 13'-0" W x 50'-0" L
- This building is a stand-alone structure
- Building Codes: 2015 International Building Code with Texas Amendments, ASHRAE 90.1-2013, 2015 International Mechanical Code with Texas Amendments, 2014 National Electrical Code with Texas Amendments, AISI S100-2012, AWS D1.1, AWS D1.3
- Roof Snow Load: 30 psf
- Roof Live Load: 20 psf
- Interior Cable Tray Load: 100 plf max.
- Exterior Cable Tray Load: 60 plf max.
- Floor Live Load: 250 psf
- Wind Load: Wind Velocity: 120 mph, Exposure: C, ASCE 7-10
- Ground Snow Load: 30 psf, Snow Load Importance Factor I_s = 1.1
- Seismic Design Category: B, Seismic Importance Factor I_E = 1.25, ASCE 7-10
- Seismic Site Class: D, S_s = 0.152, S₁ = 0.048, S_{DS} = 0.162, S_{D1} = 0.077, C_s = 0.101, R = 2.0
- Seismic Force Resisting System: Light frame steel walls with preformed steel sheeting
- Seismic Analysis Procedure: Equivalent Lateral Force
- Base Shear: V = 14,532 lbs (Seismic)
- Base Shear: V = 21,085 lbs (Wind)
- Structural Steel:

SHAPE	STANDARD	F _y (ksi)
Rolled wide flange sections	ASTM A992	50
Rolled channel sections	ASTM A572 GR.50 or ASTM A992	50
Other standard steel shapes and rolled sections	ASTM A36	36
Cold-formed steel sections	ASTM A1011 CS Type B	30
Bars and plates	ASTM A36	36
Pipes	ASTM A501	36
Hollow Structural sections (Rect.)	ASTM A500, Grade B	46
Hollow Structural Sections (Round)	ASTM A500, Grade B	42
Bolts	ASTM A325X	-
Nuts	ASTM A563	-
Washers	ASTM F436	-
Anchor rods	ASTM F1554, Grade 36	36

ATTENTION LOCAL INSPECTION DEPARTMENT

The following items have not been completed by Intermountain Electronics and are not certified by the Texas Label. Code compliance must be determined at the local level:

On Site Work:

1. Electrical Service Hook UP
2. Complete Foundation Support & Tie Down
3. HVAC Reinstallation
4. Platform and Stair Installation

SPECIAL CONDITIONS AND LIMITATIONS

1. Per Section 203.5 of 2012 TAS, this building is not required to meet TAS or be on an accessible route.
2. Operating & Maintenance Manuals shall be provided to the building owner or designated representative within 90 days after the date of system acceptance.

NOTES:

DESIGN

1. Design and construction of structural items based on the 2015 IBC, AISC Steel Construction Manual, 14th Edition, and Detailing for Steel Construction, 2nd Edition. Welding shall conform to AWS D1.1 and D1.3.
2. Estimated building weight completely assembled and installed, including future, field installed equipment and cable tray = 80,000 lbs (some equipment weights assumed). Building weight does not include platforms and stairs – 3,600 lbs for 6' x 12' LS platform & stairs, 3,600 lbs for 6' x 12' RS platforms & stairs.
3. All structural steel, sheet steel, and plate steel shall be 36ksi minimum yield strength, unless noted otherwise.
4. Foundation and building attachments shall be designed by others. Design foundation and building attachments for loads listed on Sheet M-12.

CONSTRUCTION

1. Structural steel channel base frame, 1/4" steel A36 floor plate, 10 gauge steel interior wall panels, and 10 gauge steel interior ceiling panels, meeting standard ASTM-A1011 CS Type B, Fy 30 KSI. Steel member joints and seams are connected by fully sealed continuous welds.
2. Building roof is single slope at approximately 1/2" per foot. Slope direction based on customer specification.
3. Eight heavy duty removable lifting eyes, four per side, shall be provided for picking and placing the building with a crane.
4. Cranes, spreader bars, and associated rigging are not the responsibility of Intermountain Electronics.
5. Baseframe will be sandblasted with a "near white blast" prior to painting. Steel interior surfaces and the base frame will be thoroughly cleaned with a phosphatizing acid wash prior to painting. Painting of these surfaces per Intermountain Electronics Standard Painting Process.
6. Exterior walls and roof are covered by preformed 26 gauge PBR panels, complete with trim. Base metal is manufactured from high strength Galvalume® and coated with Signature® 200 thermoset polyester resin in Carlsbad Canyon tan.
7. Interior walls and ceiling of building to be coated with PPG's "Amerlock" primer and receive a top coat of PPG's "PSX-700" paint in Gloss White. Interior floor shall be painted with a durable anti-slip surface in Gloss White.
8. Wall cavities are insulated with R-23, 5.5" thick Roxul ComfortBatt mineral wool insulation.
9. Ceiling cavities are insulated with R-23, 5.5" thick Roxul ComfortBatt mineral wool insulation.
10. Building baseframe will be insulated with 3" thick Gaco F1850 spray-applied polyurethane closed cell foam insulation having an R-21 thermal resistance installed beneath 1/2" gypsum board thermal barrier.
11. The underside of the skid will be primed with PPG's "Amercoat 240" marine grade protective sealer to an approximate thickness of 6 mils dry.
12. (1) Each - 6070 all steel, R-6 insulated, left hand active, 18 gauge exterior door with 24" insulated transom, 3 piece x 4-3/4" throat knockdown 14 gauge frame, with weather strip gasket, auto door closer (with hold-open feature), stainless steel hinges, threshold, door sweep, panic hardware, and lockable passage lever. Doors keyed alike. Door will have a 12" x 12" single pane C-Lam window rated to CFR 1201 Category Class 1.
13. (1) Each - 3070 all steel, R-6 insulated, left hand swing, 18 gauge exterior door with 3 piece x 4-3/4" throat knockdown 14 gauge frame, with weather strip kerf, weather strip gasket, auto door closer (with hold-open feature), stainless steel hinges, threshold, door sweep, panic hardware, and lockable passage lever. Doors keyed alike. Door will have a 12" x 12" single pane C-Lam window rated to CFR 1201 Category Class 1.
14. (1) Each - 3070 all steel, non-insulated, right hand swing, 18 gauge interior door with 3 piece x 4-3/4" throat knockdown 14 gauge frame, with weather strip kerf, weather strip gasket, auto door closer (with hold-open feature), stainless steel hinges, threshold, door sweep, panic hardware, and non-keyed passage lever. Door will have a 12" x 12" single pane C-Lam window rated to CFR 1201 Category Class 1.

WORKMANSHIP

1. Workmanship and finish of all metalwork shall be of the highest grade and equal to the best practices for the respective work. Grind all exposed edges of welds smooth.
2. Welding, appearance, quality and corrections of defective work shall conform to codes for arc and gas welding in building construction of the AWS and to AISC specifications.

ELECTRICAL

1. The electrical components that are shown have been sized and placed based on the best available information.
2. Items not shown are omitted for clarity (i.e. wiring, conduit, utilities, etc.).
3. HVAC units on long side of building shall be removed for shipping and re-installed on site by others.



1511 SOUTH HIGHWAY 6, PRICE, UT 84501
PHONE: (435) 637-7160 FAX: (435) 637-9601

8221 EAST 96TH AVE, UNIT A, HENDERSON, CO 80640
PHONE: (720) 409-1000

100 VALLEY DRIVE, SOUTHPOINT, OH 45680
PHONE: (740) 414-4770 FAX: (606) 644-0432

400 SWAN AVENUE, CENTRALIA, IL 62801
PHONE: (618) 214-1063 FAX: (606) 644-0442

www.intermountainelectronics.com

THIS DOCUMENT CONTAINS CONFIDENTIAL AND/OR PROPRIETARY INFORMATION. ANY USE, REVIEW, RETRANSMISSION, DISSEMINATION OR OTHER USE OF, OR PURSUING OF ANY ACTION IN RELIANCE UPON THIS INFORMATION IS STRICTLY PROHIBITED WITHOUT PROPER AUTHORIZATION FROM INTERMOUNTAIN ELECTRONICS.

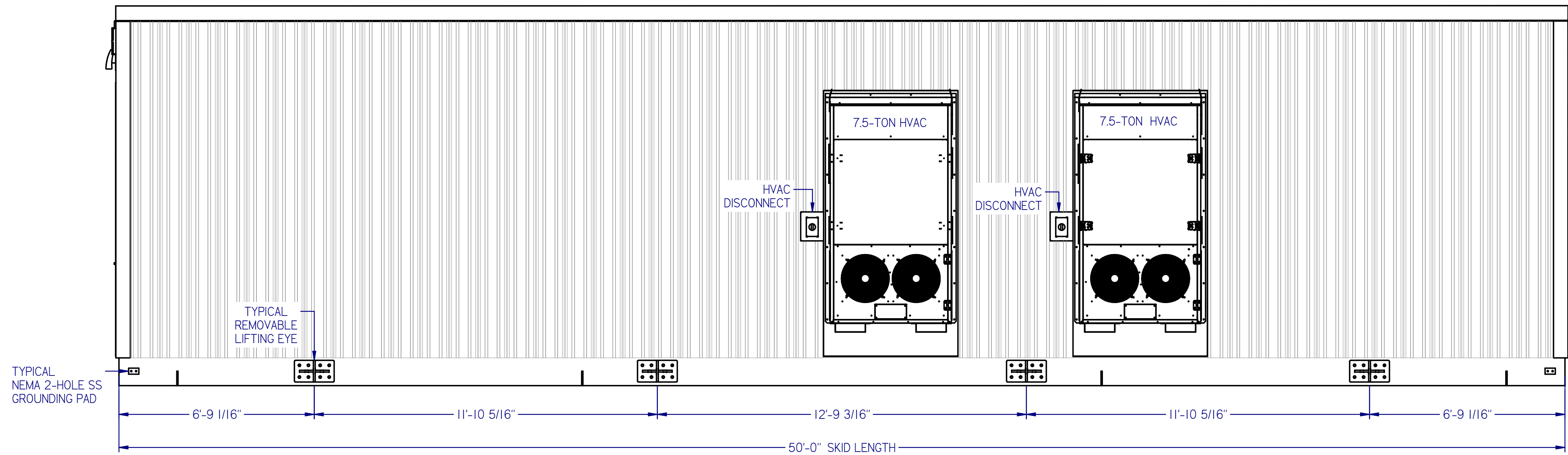
PDC ENERGY
PDC-1000
BUILDING NOTES

REVISIONS

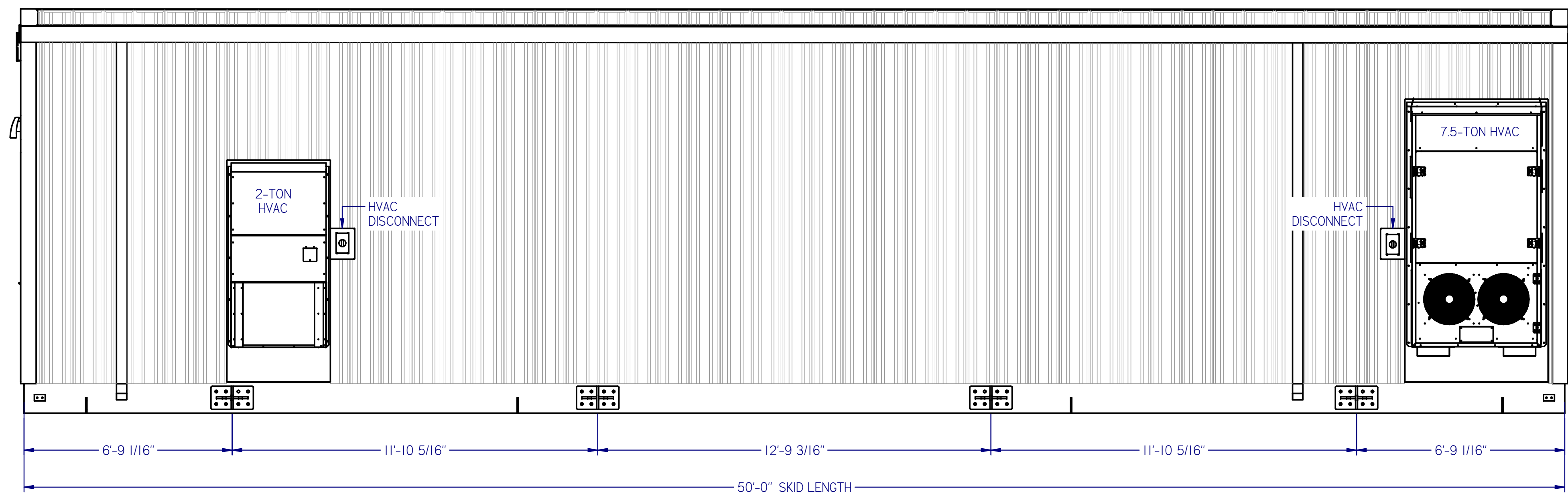
Rev:	Date:	Description:	By:	Approved:
FR 2.0	8/30/2018	ISSUED FOR REVIEW 2.0 – UPDATED PER P. E. L. REDLINES DATED 8/29/2018	WR	JY
FR 3.0	9/4/2018	ISSUED FOR REVIEW 3.0 – UPDATED PER P. E. L. AND ENGINEER REDLINES DATED 8/31/2018	WR	JY
FC 1.0	9/7/2018	ISSUED FOR CONSTRUCTION	NA	NA
			NA	NA
			NA	NA
			NA	NA
			NA	NA

DRAWN BY: wrasmussen
ENGINEERED BY: J.S.Y., M.E.
APPROVED BY: -
DATE: 7/25/2018
PROJECT NO. 217250-1-1
REV. IFC 1.0

DRAWING NO. M-2
SHT 2 OF 45



BUILDING - FRONT VIEW



BUILDING - REAR VIEW

NOTES:

ALL BOXES PROTRUDING THROUGH EXTERIOR PANELING WILL HAVE J-TRIM INSTALLED AND WILL BE SEALED WITH SILICONE CAULKING TO PREVENT WATER ENTRY.

MAN AND EQUIPMENT ACCESS DOORS WILL HAVE DRIP GUARDS INSTALLED ABOVE TO AID IN WEATHER PROOFING.



- 1511 SOUTH HIGHWAY 6, PRICE, UT 84501
PHONE: (435) 637-7160 FAX: (435) 637-9601
- 8221 EAST 96TH AVE, UNIT A, HENDERSON, CO 80640
PHONE: (720) 409-1000
- 100 VALLEY DRIVE, SOUTHPOINT, OH 45680
PHONE: (740) 414-4770 FAX: (606) 644-0432
- 400 SWAN AVENUE, CENTRALIA, IL 62801
PHONE: (618) 214-1063 FAX: (606) 644-0442

THIS DOCUMENT CONTAINS CONFIDENTIAL AND/OR PROPRIETARY INFORMATION. ANY USE, REVIEW, RETRANSMISSION, DISSEMINATION OR OTHER USE OF, OR PURSUING OF ANY INFORMATION IS STRICTLY PROHIBITED WITHOUT PROPER AUTHORIZATION FROM INTERMOUNTAIN ELECTRONICS.

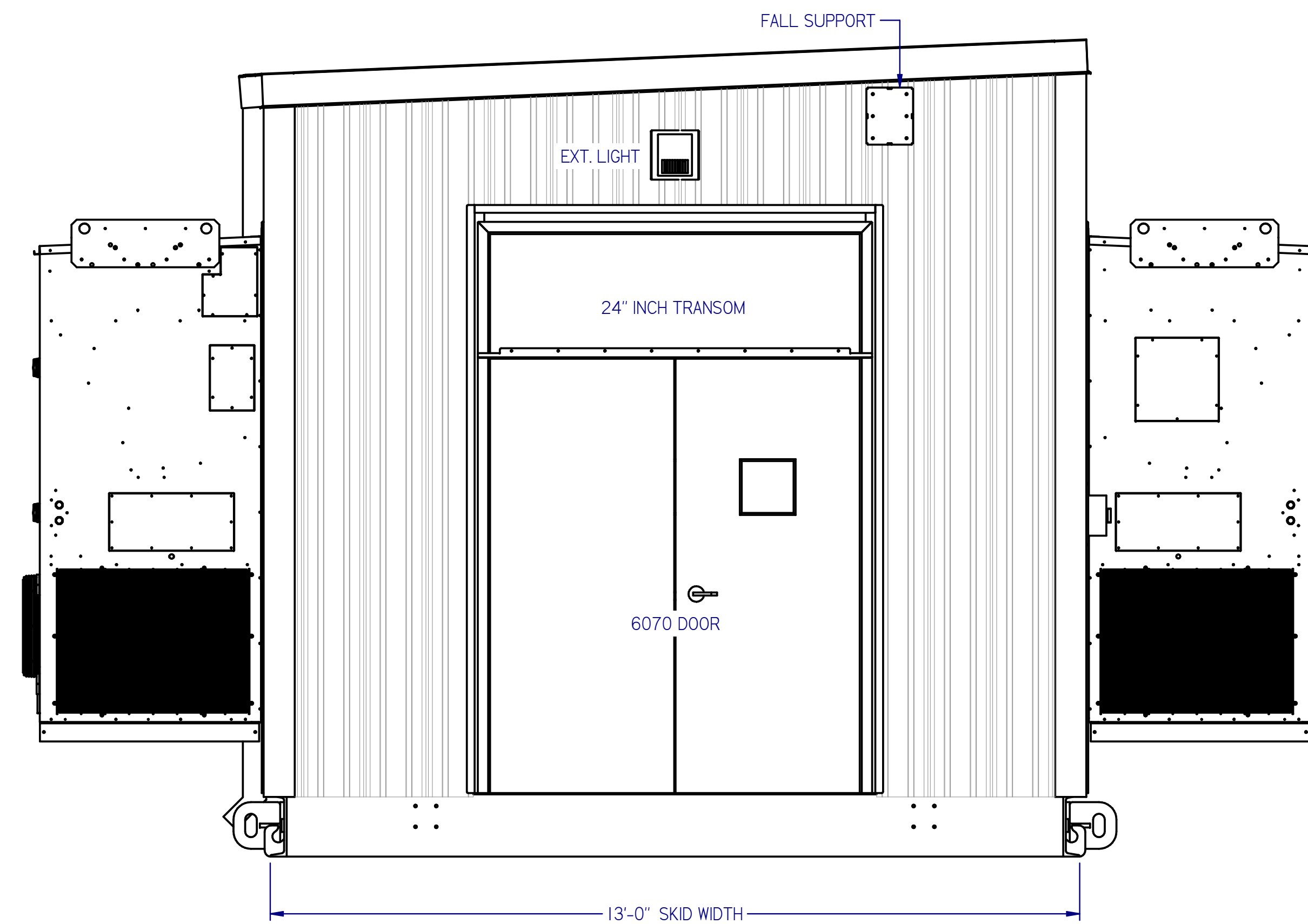
PDC ENERGY
PDC-1000
EXTERIOR FRONT & REAR ELEVATIONS

REVISIONS

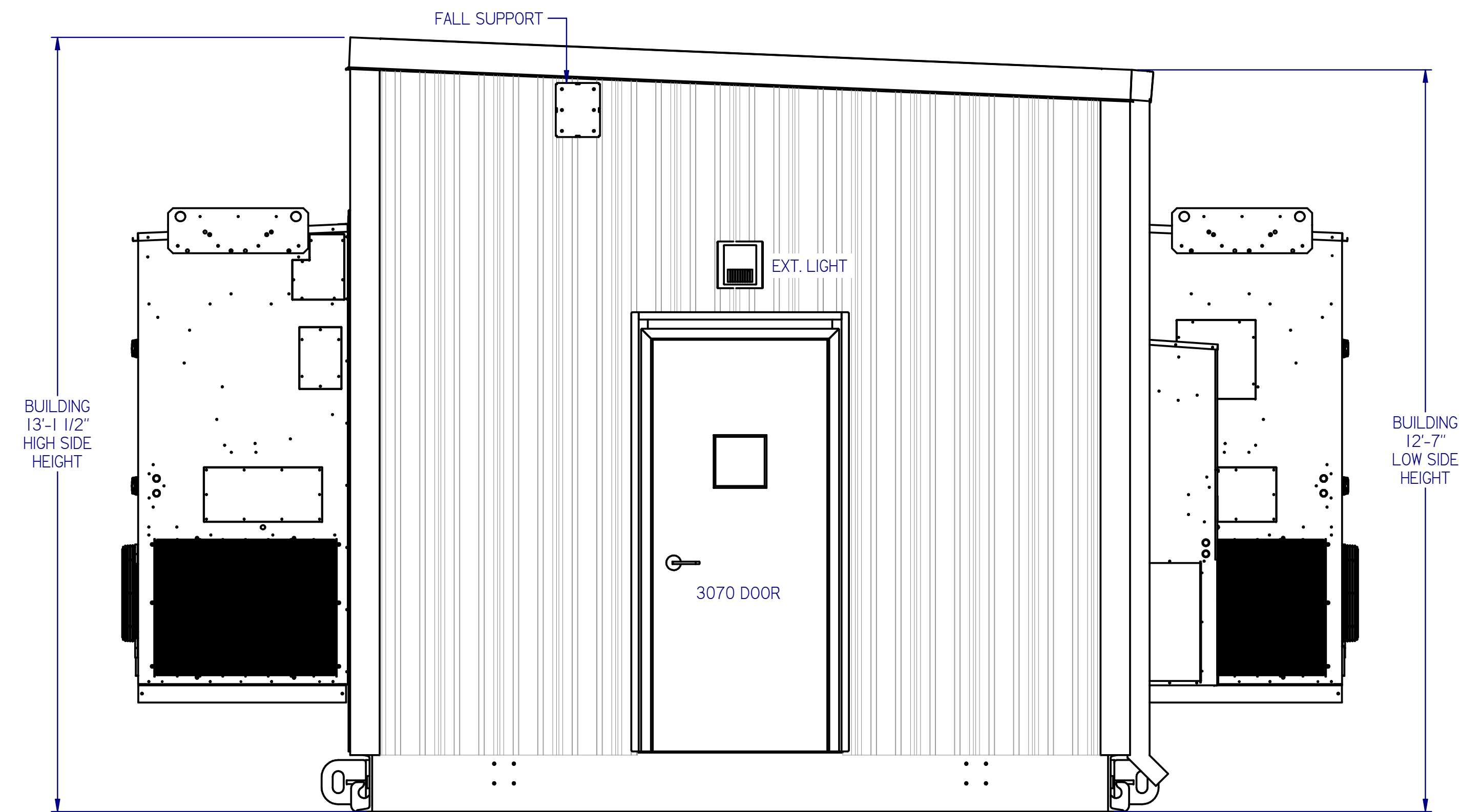
Rev:	Date:	Description:	By:	Approved:
FR 2.0	8/30/2018	ISSUED FOR REVIEW 2.0 - UPDATED PER P. E. L. REDLINES DATED 8/29/2018	WR	JY
FR 3.0	9/4/2018	ISSUED FOR REVIEW 3.0 - UPDATED PER P. E. L. AND ENGINEER REDLINES DATED 8/31/2018	WR	JY
IFC 1.0	9/7/2018	ISSUED FOR CONSTRUCTION	WR	JY
			NA	NA
			NA	NA
			NA	NA
			NA	NA

DRAWN BY: wrasmussen
 ENGINEERED BY: J.S.Y., M.E.
 APPROVED BY: _____
 DATE: 7/25/2018
 PROJECT NO. 217250-1-1 REV. IFC 1.0

DRAWING NO. M-3
 SHT 3 OF 45



BUILDING - LEFT VIEW



BUILDING - RIGHT VIEW

NOTES:

ALL BOXES PROTRUDING THROUGH EXTERIOR PANELING WILL HAVE J-TRIM INSTALLED AND WILL BE SEALED WITH SILICONE CAULKING TO PREVENT WATER ENTRY.

MAN AND EQUIPMENT ACCESS DOORS WILL HAVE DRIP GUARDS INSTALLED ABOVE TO AID IN WEATHER PROOFING.



- 1511 SOUTH HIGHWAY 6, PRICE, UT 84501
PHONE: (435) 637-7160 FAX: (435) 637-9601
- 8221 EAST 96TH AVE, UNIT A, HENDERSON, CO 80640
PHONE: (720) 409-1000
- 100 VALLEY DRIVE, SOUTHPOINT, OH 45680
PHONE: (740) 414-4770 FAX: (606) 644-0432
- 400 SWAN AVENUE, CENTRALIA, IL 62801
PHONE: (618) 214-1063 FAX: (606) 644-0442

THIS DOCUMENT CONTAINS CONFIDENTIAL AND/OR PROPRIETARY INFORMATION. ANY USE, REVIEW, RETRANSMISSION, DISSEMINATION OR OTHER USE OF, OR PURSUING OF ANY ACTION IN RELIANCE UPON THIS INFORMATION IS STRICTLY PROHIBITED WITHOUT PROPER AUTHORIZATION FROM INTERMOUNTAIN ELECTRONICS.

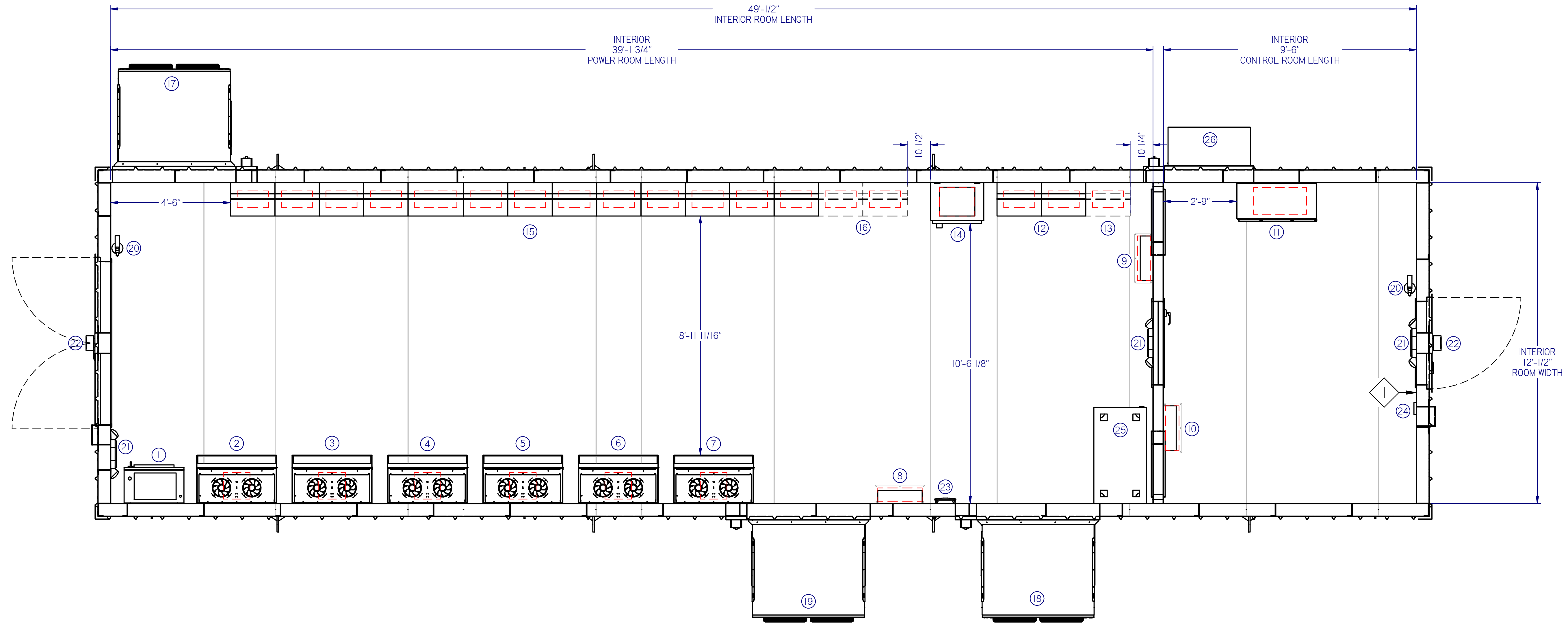
PDC ENERGY
PDC-1000
EXTERIOR LEFT & RIGHT ELEVATIONS

REVISIONS

Rev:	Date:	Description:	By:	Approved:
FR 2.0	8/30/2018	ISSUED FOR REVIEW 2.0 - UPDATED PER P. E. L. REDLINES DATED 8/29/2018	WR	JY
FR 3.0	9/4/2018	ISSUED FOR REVIEW 3.0 - UPDATED PER P. E. L. AND ENGINEER REDLINES DATED 8/31/2018	WR	JY
IFC 1.0	9/7/2018	ISSUED FOR CONSTRUCTION	WR	JY
			NA	NA
			NA	NA
			NA	NA
			NA	NA

DRAWN BY: wrasmussen
 ENGINEERED BY: J.S.Y., M.E.
 APPROVED BY: _____
 DATE: 7/25/2018
 PROJECT NO. 217250-1-1 REV. IFC 1.0

DRAWING NO. M-4
 SHT 4 OF 45



TEXAS STATE INSIGNIA AND DATA PLATE

BUILDING - PLAN VIEW
With Cable Tray and Roof Removed

EQUIPMENT LIST				EQUIPMENT LIST			
Item Number	Quantity	Description	Weight	Item Number	Quantity	Description	Weight
1	1	AHF-1000, 480V	480	15	1	MCC-1000 (13 SECTIONS), 480V	7250
2	1	VFD-5013F, 480V	300	16	1	MCC-FUTURE SECTION (2 SECTIONS)	1100
3	1	VFD-5013E, 480V	300	17	1	7.5 TON, 10EER HVAC, MARVAIR PN: AVHDA90ACD090AU	1166
4	1	VFD-5013D, 480V	300	18	1	7.5 TON, 10EER HVAC, MARVAIR PN: AVHDA90ACD090AU	1166
5	1	VFD-5013C, 480V	300	19	1	7.5 TON, 10EER HVAC, MARVAIR PN: AVHDA90ACD090AU	1166
6	1	VFD-5013B, 480V	300	20	2	10 LB CAPACITY FIRE EXTINGUISHER, CLASS B.C, AMEREX PN: 90-330	29
7	1	VFD-5013A, 480V	300	21	3	EMERGENCY EXIT LIGHT, LITHONIA LIGHTING PN: ECRLED	15
8	1	PP-100	75	22	2	EXTERIOR LED LIGHT, 38 WATT, COOPER LIGHTING PN: XT0R4B-PC1	15
9	1	LP-100	75	23	1	COMMSTAT 6, MARVAIR PN: S/12087-04	15
10	1	UPD-1000	75	24	1	THERMOSTAT, MARVAIR PN: 50218	5
11	1	PLC CABINET	400	25	1	UPS & BATTERIES	1015
12	1	MCC-2000 (2 SECTIONS), 480V	1100	26	1	2-TON, 10EER HVAC, MARVAIR PN: AVHA24ACD060C7U	375
13	1	MCC-FUTURE SECTION (1 EACH)	550	27	16	INTERIOR LED LIGHT, 43 WATT, COOPER LIGHTING PN: 4SLSTP4040D-UNV	6.5
14	1	ATS-1000, 480V	225				



1511 SOUTH HIGHWAY 6, PRICE, UT 84501
PHONE: (435) 637-7160 FAX: (435) 637-9601

8221 EAST 96TH AVE, UNIT A, HENDERSON, CO 80640
PHONE: (720) 409-1000

100 VALLEY DRIVE, SOUTHPOINT, OH 45680
PHONE: (740) 414-4770 FAX: (606) 644-0432

400 SWAN AVENUE, CENTRALIA, IL 62801
PHONE: (618) 214-1063 FAX: (606) 644-0442

www.intermountainelectronics.com

THIS DOCUMENT CONTAINS CONFIDENTIAL AND/OR PROPRIETARY INFORMATION. ANY USE, REVIEW, RETRANSMISSION, DISSEMINATION OR OTHER USE OF, OR PURSUING OF ANY INFORMATION IS STRICTLY PROHIBITED WITHOUT PROPER AUTHORIZATION FROM INTERMOUNTAIN ELECTRONICS.

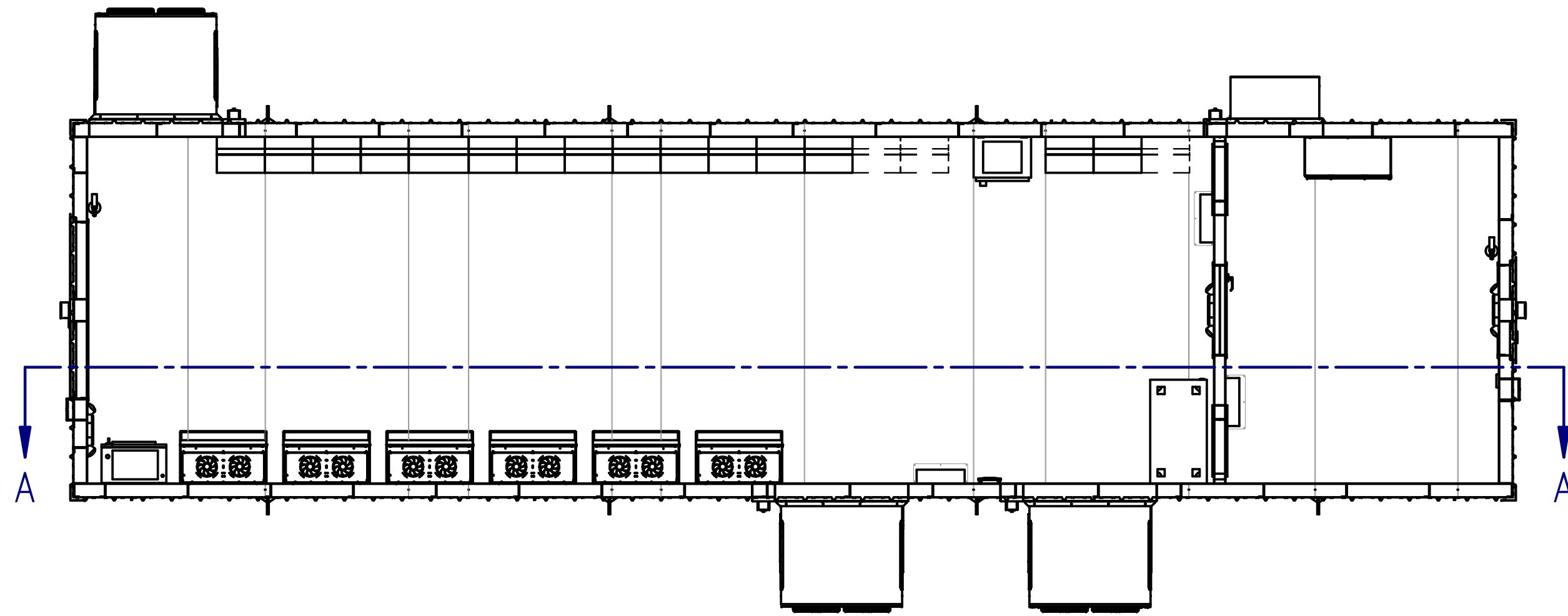
PDC ENERGY
PDC-1000
EQUIPMENT LAYOUT - PLAN VIEW

REVISIONS

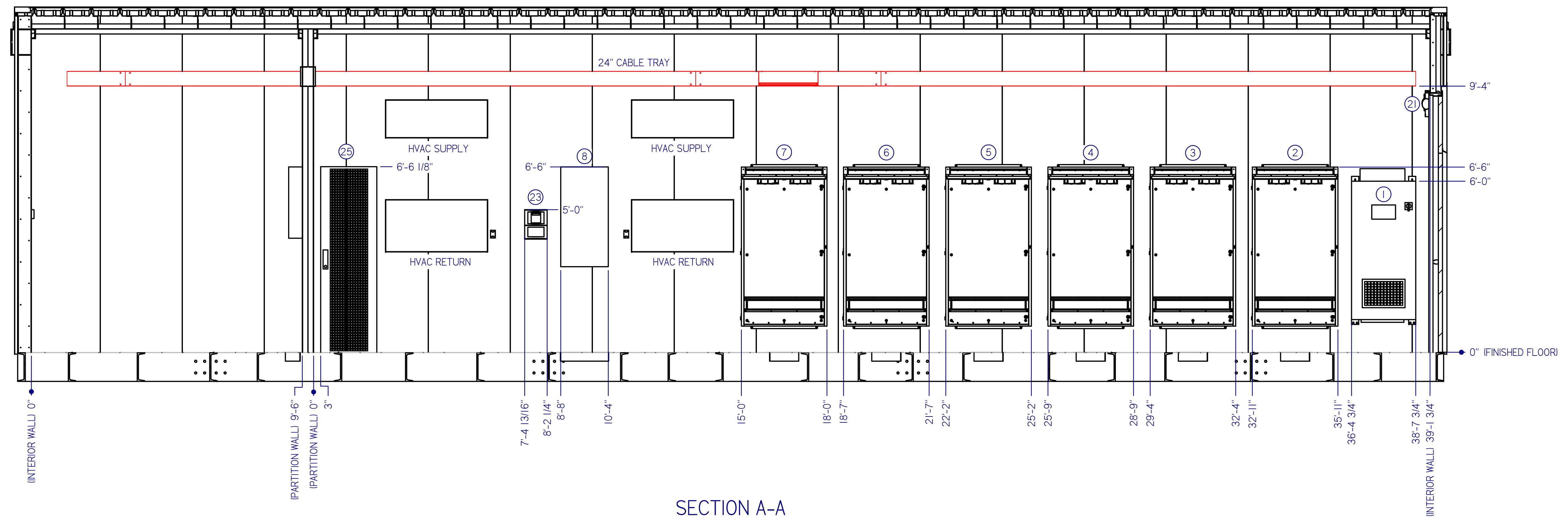
Rev:	Date:	Description:	By:	Approved:
FR 2.0	8/30/2018	ISSUED FOR REVIEW 2.0 - UPDATED PER P. E. L. REDLINES DATED 8/29/2018	WR	JY
FR 3.0	9/4/2018	ISSUED FOR REVIEW 3.0 - UPDATED PER P. E. L. AND ENGINEER REDLINES DATED 8/31/2018	WR	JY
IFC 1.0	9/7/2018	ISSUED FOR CONSTRUCTION	WR	JY
			NA	NA
			NA	NA
			NA	NA
			NA	NA

DRAWN BY: wrasmussen
ENGINEERED BY: J.S.Y., M.E.
APPROVED BY: -
DATE: 7/25/2018
PROJECT NO. 217250-1-1
REV. IFC 1.0

DRAWING NO. M-5
SHT 5 OF 45



EQUIPMENT LIST				EQUIPMENT LIST			
Item Number	Quantity	Description	Weight	Item Number	Quantity	Description	Weight
1	1	AHF-1000, 480V	480	15	1	MCC-1000 I13 SECTIONS, 480V	7250
2	1	VFD-5013F, 480V	300	16	1	MCC-FUTURE SECTION I2 SECTIONS	1100
3	1	VFD-5013E, 480V	300	17	1	7.5 TON, 10EER HVAC, MARVAIR PN: AVHDA90ACD090AU	1166
4	1	VFD-5013D, 480V	300	18	1	7.5 TON, 10EER HVAC, MARVAIR PN: AVHDA90ACD090AU	1166
5	1	VFD-5013C, 480V	300	19	1	7.5 TON, 10EER HVAC, MARVAIR PN: AVHDA90ACD090AU	1166
6	1	VFD-5013B, 480V	300	20	2	10 LB CAPACITY FIRE EXTINGUISHER, CLASS B.C, AMEREX PN: 90-330	29
7	1	VFD-5013A, 480V	300	21	3	EMERGENCY EXIT LIGHT, LITHONIA LIGHTING PN: ECRLED	15
8	1	PP-100	75	22	2	EXTERIOR LED LIGHT, 38 WATT, COOPER LIGHTING PN: XT0R4B-PCI	15
9	1	LP-100	75	23	1	COMMSTAT 6, MARVAIR PN: S/I12087-04	15
10	1	UPD-1000	75	24	1	THERMOSTAT, MARVAIR PN: 50218	5
11	1	PLC CABINET	400	25	1	UPS & BATTERIES	1015
12	1	MCC-2000 I2 SECTIONS, 480V	1100	26	1	2-TON, 10EER HVAC, MARVAIR PN: AVHA24ACD060C7U	375
13	1	MCC-FUTURE SECTION II EACH	550	27	16	INTERIOR LED LIGHT, 43 WATT, COOPER LIGHTING PN: 4SLSTP4040D-UNV	6.5
14	1	ATS-1000, 480V	225				



SECTION A-A



1511 SOUTH HIGHWAY 6, PRICE, UT 84501
PHONE: (435) 637-7160 FAX: (435) 637-9601

8221 EAST 96TH AVE, UNIT A, HENDERSON, CO 80640
PHONE: (720) 409-1000

100 VALLEY DRIVE, SOUTHPOINT, OH 45680
PHONE: (740) 414-4770 FAX: (606) 644-0432

400 SWAN AVENUE, CENTRALIA, IL 62801
PHONE: (618) 214-1063 FAX: (606) 644-0442

THIS DOCUMENT CONTAINS CONFIDENTIAL AND/OR PROPRIETARY INFORMATION. ANY USE, REVIEW, RETRANSMISSION, DISSEMINATION OR OTHER USE OF, OR PURSUING OF ANY ACTION IN RELIANCE UPON THIS INFORMATION IS STRICTLY PROHIBITED WITHOUT PROPER AUTHORIZATION FROM INTERMOUNTAIN ELECTRONICS.

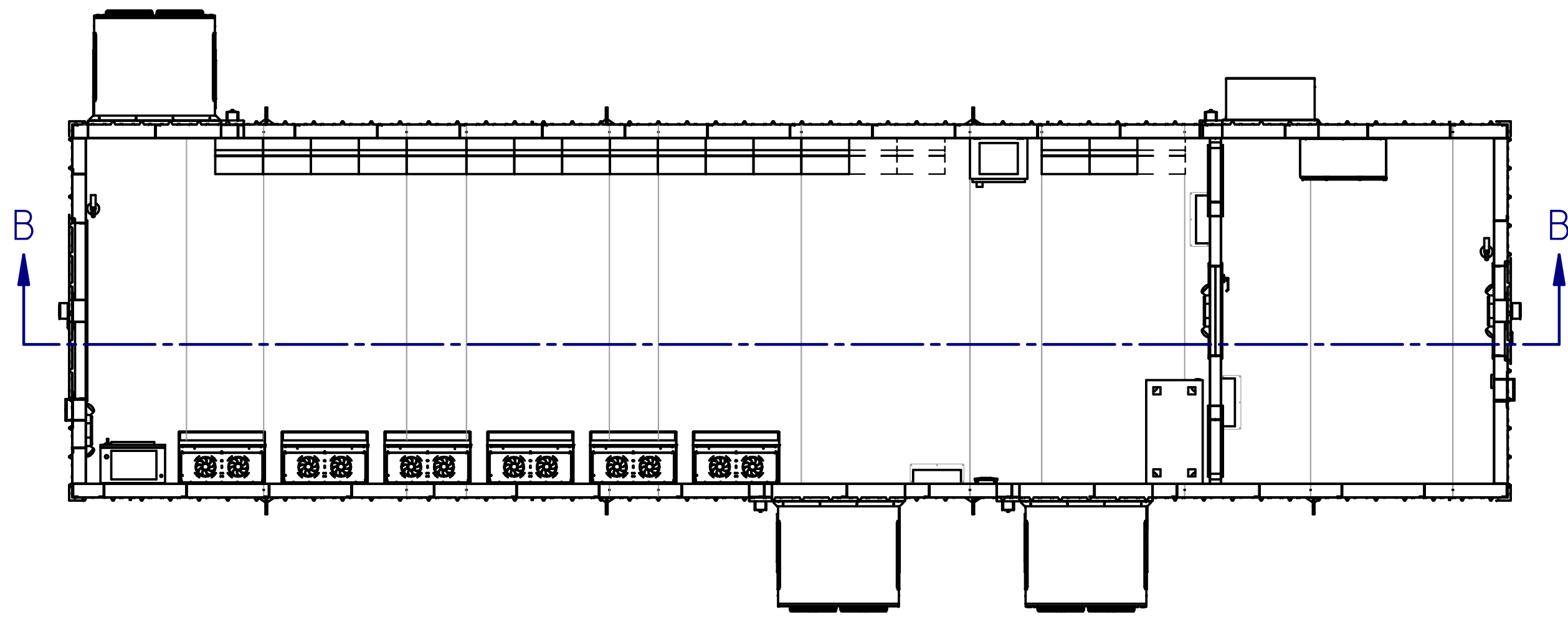
PDC ENERGY
PDC-1000
EQUIPMENT LAYOUT - FRONT WALL

REVISIONS

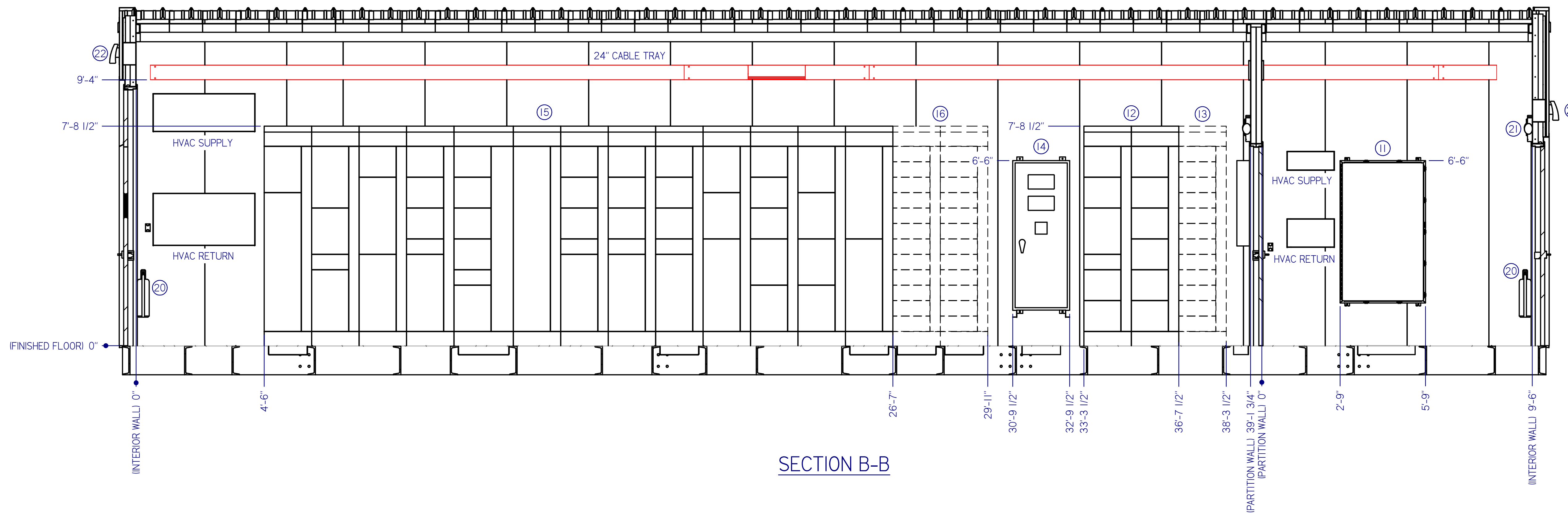
Rev:	Date:	Description:	By:	Approved:
FR 2.0	8/30/2018	ISSUED FOR REVIEW 2.0 - UPDATED PER P. E. L. REDLINES DATED 8/29/2018	WR	JY
FR 3.0	9/4/2018	ISSUED FOR REVIEW 3.0 - UPDATED PER P. E. L. AND ENGINEER REDLINES DATED 8/31/2018	WR	JY
IFC 1.0	9/7/2018	ISSUED FOR CONSTRUCTION	WR	JY
			NA	NA
			NA	NA
			NA	NA
			NA	NA

DRAWN BY: wrasmussen
ENGINEERED BY: J.S.Y., M.E.
APPROVED BY: _____
DATE: 7/25/2018
PROJECT NO. 217250-1-1 REV. IFC 1.0

DRAWING NO. M-6
SHT 6 OF 45



EQUIPMENT LIST				EQUIPMENT LIST			
Item Number	Quantity	Description	Weight	Item Number	Quantity	Description	Weight
1	1	AHF-1000, 480V	480	15	1	MCC-1000 I13 SECTIONS, 480V	7250
2	1	VFD-5013F, 480V	300	16	1	MCC-FUTURE SECTION I2 SECTIONS	1100
3	1	VFD-5013E, 480V	300	17	1	7.5 TON, 10EER HVAC, MARVAIR PN: AVHDA90ACD090AU	1166
4	1	VFD-5013D, 480V	300	18	1	7.5 TON, 10EER HVAC, MARVAIR PN: AVHDA90ACD090AU	1166
5	1	VFD-5013C, 480V	300	19	1	7.5 TON, 10EER HVAC, MARVAIR PN: AVHDA90ACD090AU	1166
6	1	VFD-5013B, 480V	300	20	2	10 LB CAPACITY FIRE EXTINGUISHER, CLASS BC, AMEREX PN: 90-330	29
7	1	VFD-5013A, 480V	300	21	3	EMERGENCY EXIT LIGHT, LITHONIA LIGHTING PN: ECRLED	15
8	1	PP-100	75	22	2	EXTERIOR LED LIGHT, 38 WATT, COOPER LIGHTING PN: XTOR4B-PCI	15
9	1	LP-100	75	23	1	COMMSTAT 6, MARVAIR PN: S/I2087-04	15
10	1	UPD-1000	75	24	1	THERMOSTAT, MARVAIR PN: 50218	5
11	1	PLC CABINET	400	25	1	UPS & BATTERIES	1015
12	1	MCC-2000 I2 SECTIONS, 480V	1100	26	1	2-TON, 10EER HVAC, MARVAIR PN: AVHA24ACD060C7U	375
13	1	MCC-FUTURE SECTION I1 EACH	550	27	16	INTERIOR LED LIGHT, 43 WATT, COOPER LIGHTING PN: 4SLSTP4040D-UNV	6.5
14	1	ATS-1000, 480V	225				



1511 SOUTH HIGHWAY 6, PRICE, UT 84501
 PHONE: (435) 637-7160 FAX: (435) 637-9601
 8221 EAST 96TH AVE, UNIT A, HENDERSON, CO 80640
 PHONE: (720) 409-1000
 100 VALLEY DRIVE, SOUTHPOINT, OH 45680
 PHONE: (740) 414-4770 FAX: (606) 644-0432
 400 SWAN AVENUE, CENTRALIA, IL 62801
 PHONE: (618) 214-1063 FAX: (606) 644-0442

THIS DOCUMENT CONTAINS
 CONFIDENTIAL AND/OR
 PROPRIETARY INFORMATION.
 ANY USE, REVIEW,
 RETRANSMISSION,
 DISSEMINATION OR OTHER
 USE OF, OR PURSUING OF ANY
 ACTION IN RELIANCE UPON THIS
 INFORMATION IS STRICTLY
 PROHIBITED WITHOUT PROPER
 AUTHORIZATION FROM
 INTERMOUNTAIN ELECTRONICS.

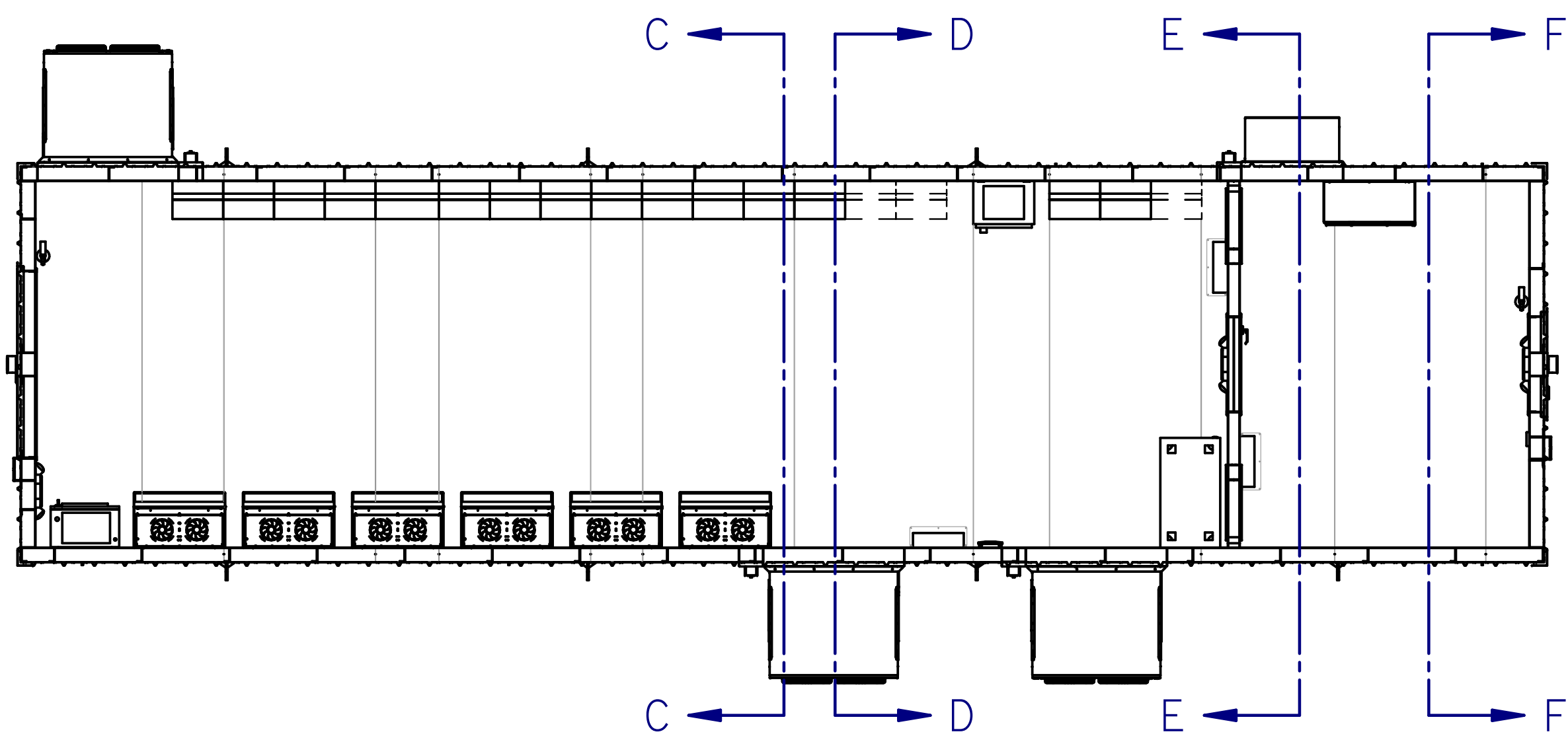
PDC ENERGY
PDC-1000
EQUIPMENT LAYOUT - REAR WALL

REVISIONS

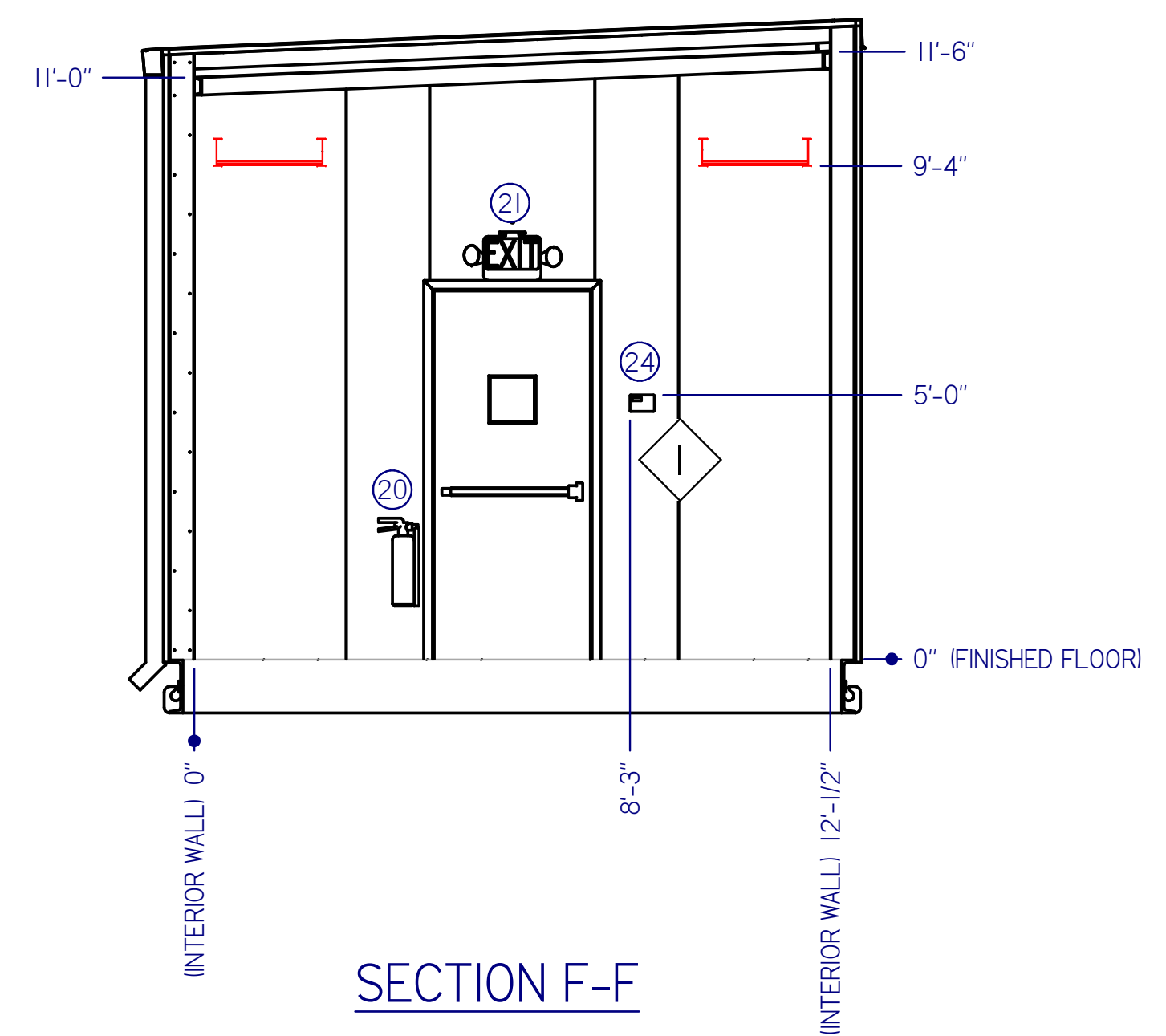
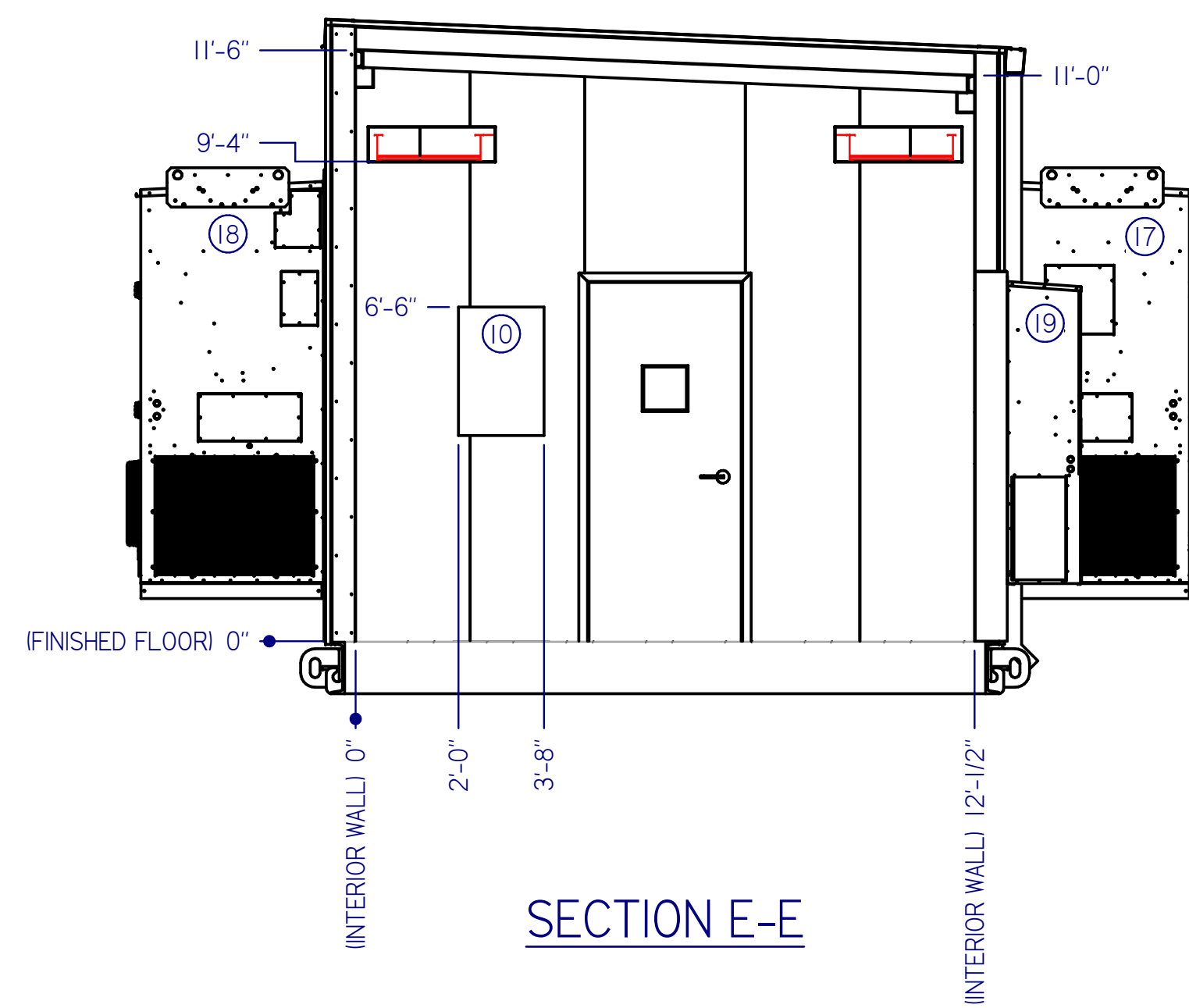
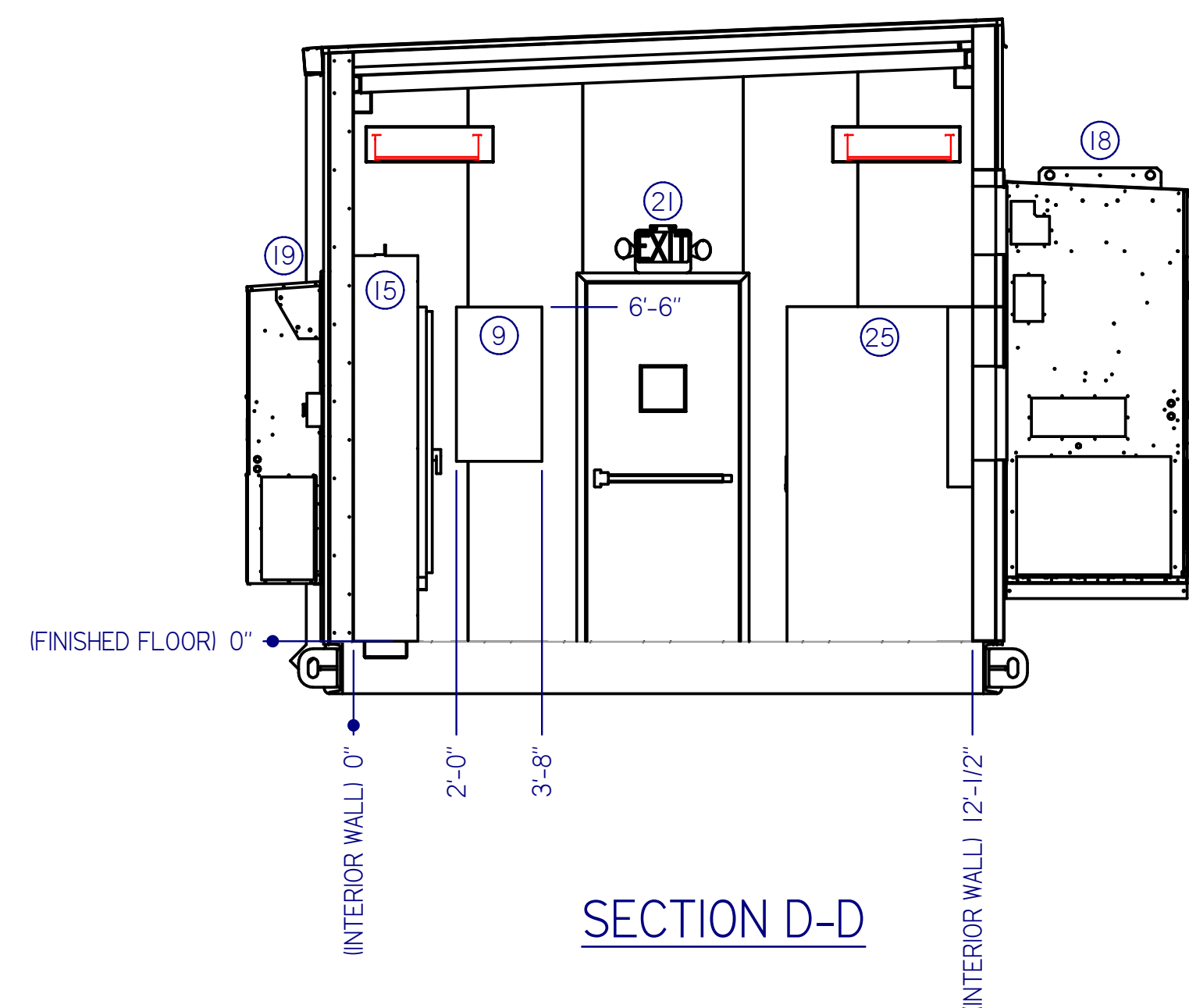
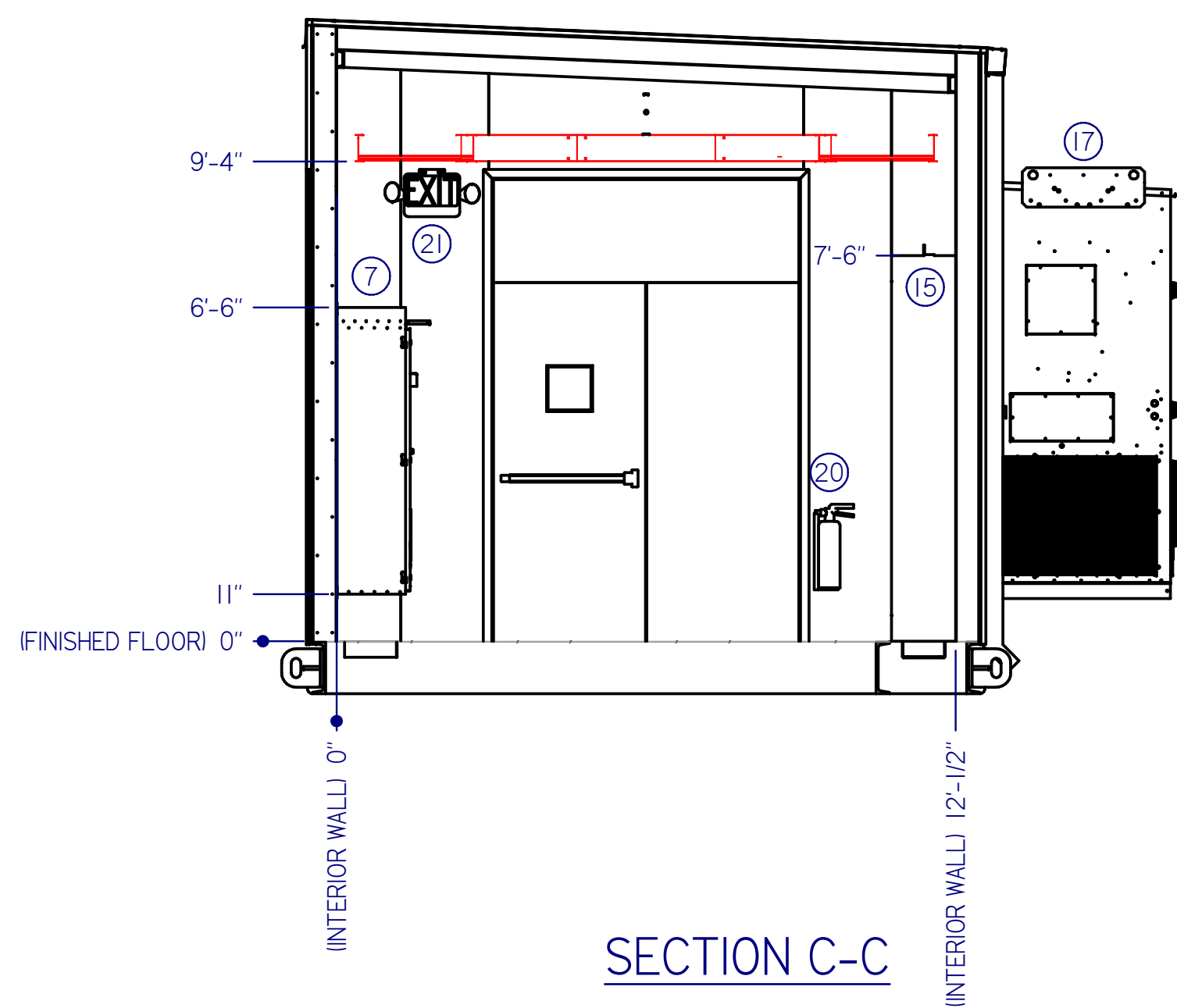
Rev:	Date:	Description:	By:	Approved:
FR 2.0	8/30/2018	ISSUED FOR REVIEW 2.0 - UPDATED PER P. E. L. REDLINES DATED 8/29/2018	WR	JY
FR 3.0	9/4/2018	ISSUED FOR REVIEW 3.0 - UPDATED PER P. E. L. AND ENGINEER REDLINES DATED 8/31/2018	WR	JY
IFC 1.0	9/7/2018	ISSUED FOR CONSTRUCTION	WR	JY
			NA	NA
			NA	NA
			NA	NA
			NA	NA

DRAWN BY: wrasmussen
 ENGINEERED BY: J.S.Y., M.E.
 APPROVED BY: _____
 DATE: 7/25/2018
 PROJECT NO. 217250-1-1 REV. IFC 1.0

DRAWING NO. M-7
 SHT 7 OF 45



EQUIPMENT LIST				EQUIPMENT LIST			
Item Number	Quantity	Description	Weight	Item Number	Quantity	Description	Weight
1	1	AHF-1000, 480V	480	15	1	MCC-1000 I13 SECTIONS, 480V	7250
2	1	VFD-5013F, 480V	300	16	1	MCC-FUTURE SECTION (2 SECTIONS)	1100
3	1	VFD-5013E, 480V	300	17	1	7.5 TON, 10EER HVAC, MARVAIR PN: AVHDA90ACD090AU	1166
4	1	VFD-5013D, 480V	300	18	1	7.5 TON, 10EER HVAC, MARVAIR PN: AVHDA90ACD090AU	1166
5	1	VFD-5013C, 480V	300	19	1	7.5 TON, 10EER HVAC, MARVAIR PN: AVHDA90ACD090AU	1166
6	1	VFD-5013B, 480V	300	20	2	10 LB CAPACITY FIRE EXTINGUISHER, CLASS BC, AMEREX PN: 90-330	29
7	1	VFD-5013A, 480V	300	21	3	EMERGENCY EXIT LIGHT, LITHONIA LIGHTING PN: ECRLED	15
8	1	PP-100	75	22	2	EXTERIOR LED LIGHT, 38 WATT, COOPER LIGHTING PN: XT0R4B-PCI	15
9	1	LP-100	75	23	1	COMMSTAT 6, MARVAIR PN: S/12087-04	15
10	1	UPD-1000	75	24	1	THERMOSTAT, MARVAIR PN: 50218	5
11	1	PLC CABINET	400	25	1	UPS & BATTERIES	1015
12	1	MCC-2000 (2 SECTIONS), 480V	1100	26	1	2-TON, 10EER HVAC, MARVAIR PN: AVHA24ACD060C7U	375
13	1	MCC-FUTURE SECTION (1 EACH)	550	27	16	INTERIOR LED LIGHT, 43 WATT, COOPER LIGHTING PN: 4SLSTP4040D-UNV	6.5
14	1	ATS-1000, 480V	225				



1 TEXAS STATE INSIGNIA AND DATA PLATE



1511 SOUTH HIGHWAY 6, PRICE, UT 84501
PHONE: (435) 637-7160 FAX: (435) 637-9601

8221 EAST 96TH AVE, UNIT A, HENDERSON, CO 80640
PHONE: (720) 409-1000

100 VALLEY DRIVE, SOUTHPOINT, OH 45680
PHONE: (740) 414-4770 FAX: (606) 644-0432

400 SWAN AVENUE, CENTRALIA, IL 62801
PHONE: (618) 214-1063 FAX: (606) 644-0442

THIS DOCUMENT CONTAINS CONFIDENTIAL AND/OR PROPRIETARY INFORMATION. ANY USE, REVIEW, RETRANSMISSION, DISSEMINATION OR OTHER USE OF, OR PURSUING OF ANY ACTION IN RELIANCE UPON THIS INFORMATION IS STRICTLY PROHIBITED WITHOUT PROPER AUTHORIZATION FROM INTERMOUNTAIN ELECTRONICS.

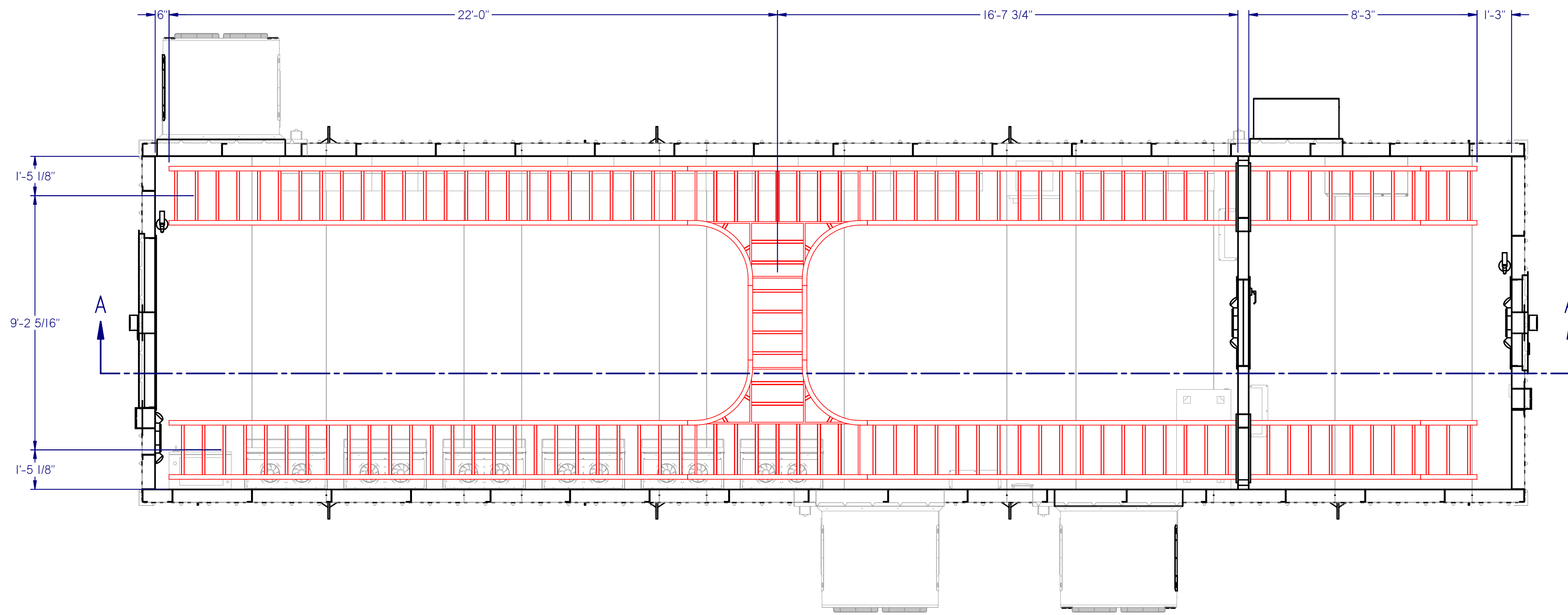
PDC ENERGY
PDC-1000
EQUIPMENT LAYOUT - END WALLS

REVISIONS

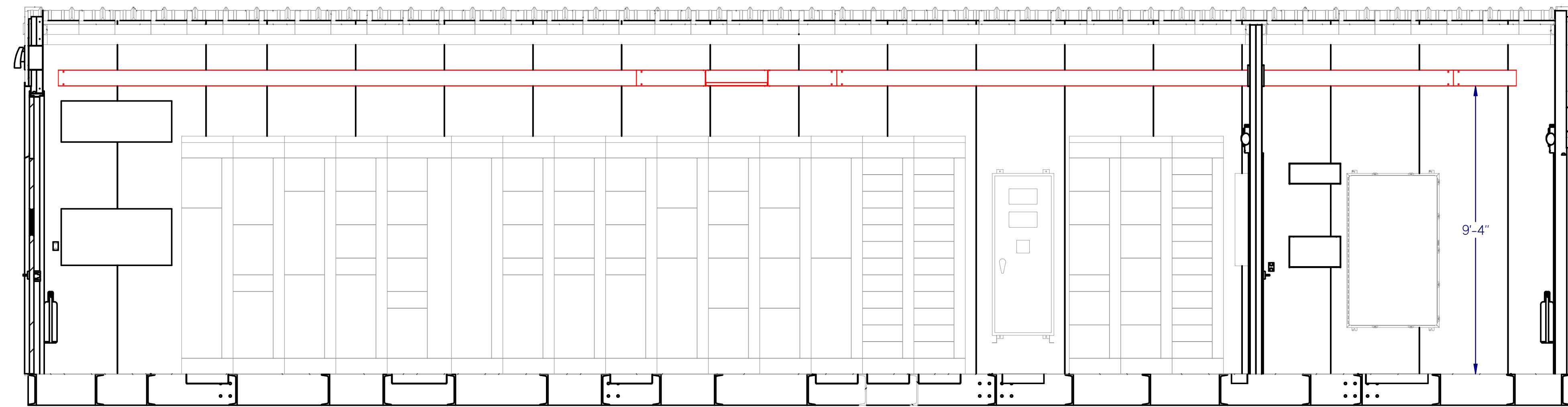
Rev:	Date:	Description:	By:	Approved:
FR 2.0	8/30/2018	ISSUED FOR REVIEW 2.0 - UPDATED PER P. E. L. REDLINES DATED 8/29/2018	WR	JY
FR 3.0	9/4/2018	ISSUED FOR REVIEW 3.0 - UPDATED PER P. E. L. AND ENGINEER REDLINES DATED 8/31/2018	WR	JY
IFC 1.0	9/7/2018	ISSUED FOR CONSTRUCTION	WR	JY
			NA	NA
			NA	NA
			NA	NA
			NA	NA

DRAWN BY: wrasmussen
ENGINEERED BY: J.S.Y., M.E.
APPROVED BY: _____
DATE: 7/25/2018
PROJECT NO. 217250-1-1 REV. IFC 1.0

DRAWING NO. M-8
SHT 8 OF 45



PLAN VIEW
Cable Tray Layout



SECTION A-A

NOTES:

ROOF IS HIDDEN FOR CLARITY.

THE CABLE TRAY WILL BE HELD UP NEAR THE WALL BY UNISTRUT MOUNTED TO THE WALL USING STANDARD L-BRACKETS. CABLE TRAY AWAY FROM THE WALL WILL BE ATTACHED TO THE CEILING USING A UNISTRUT TRAPEZE, ALL THREAD, AND THREADED ANCHORS DRILLED INTO THE CEILING. SEE SHEET M-10 FOR DETAILS.

CABLE TRAY MAX LOAD SHALL NOT EXCEED 100 PLF FOR 24" TRAY.

SPACING BETWEEN UNISTRUT HANGERS SHALL NOT EXCEED 4'-0" O.C.



1511 SOUTH HIGHWAY 6, PRICE, UT 84501
PHONE: (435) 637-7160 FAX: (435) 637-9601

8221 EAST 96TH AVE, UNIT A, HENDERSON, CO 80640
PHONE: (720) 409-1000

100 VALLEY DRIVE, SOUTHPOINT, OH 45680
PHONE: (740) 414-4770 FAX: (606) 644-0432

400 SWAN AVENUE, CENTRALIA, IL 62801
PHONE: (618) 214-1063 FAX: (606) 644-0442

www.intermountainelectronics.com

THIS DOCUMENT CONTAINS
CONFIDENTIAL AND/OR
PROPRIETARY INFORMATION.
ANY USE, REVIEW,
RETRANSMISSION,
DISSEMINATION OR OTHER
USE OF, OR PURSUING OF ANY
ACTION IN RELIANCE UPON THIS
INFORMATION IS STRICTLY
PROHIBITED WITHOUT PROPER
AUTHORIZATION FROM
INTERMOUNTAIN ELECTRONICS.

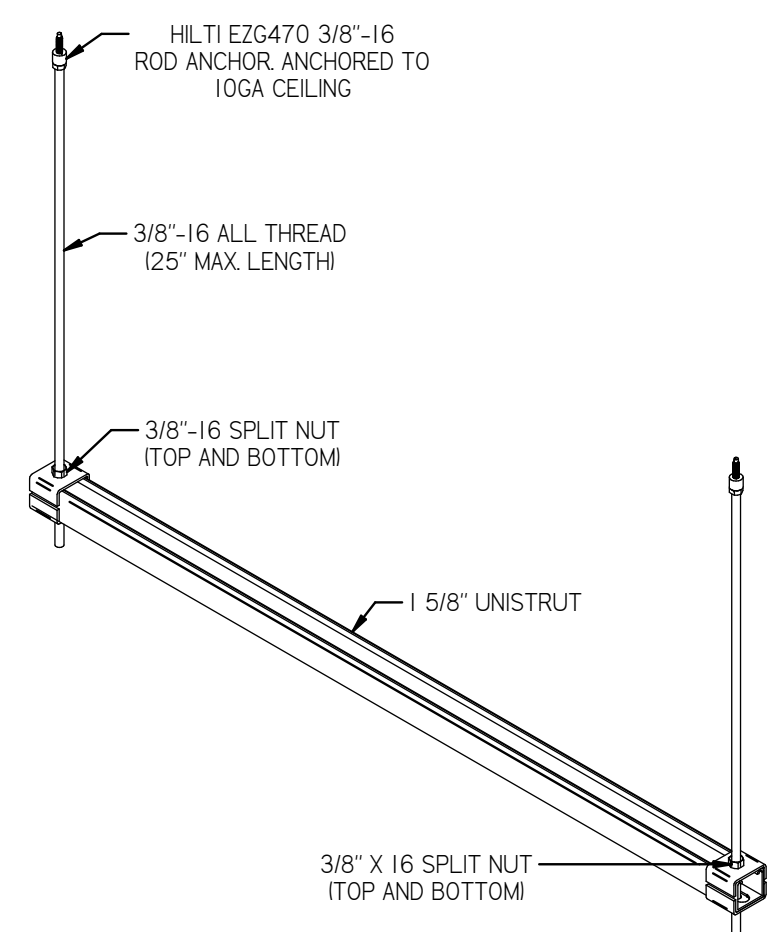
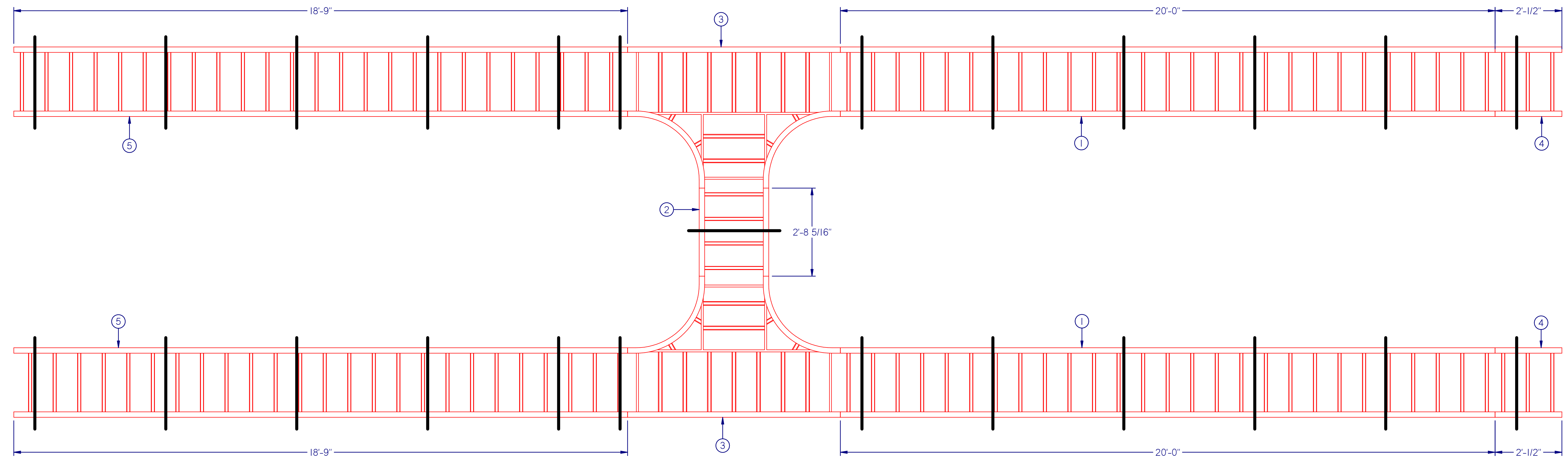
PDC ENERGY
PDC-1000
CABLE TRAY LAYOUT

REVISIONS

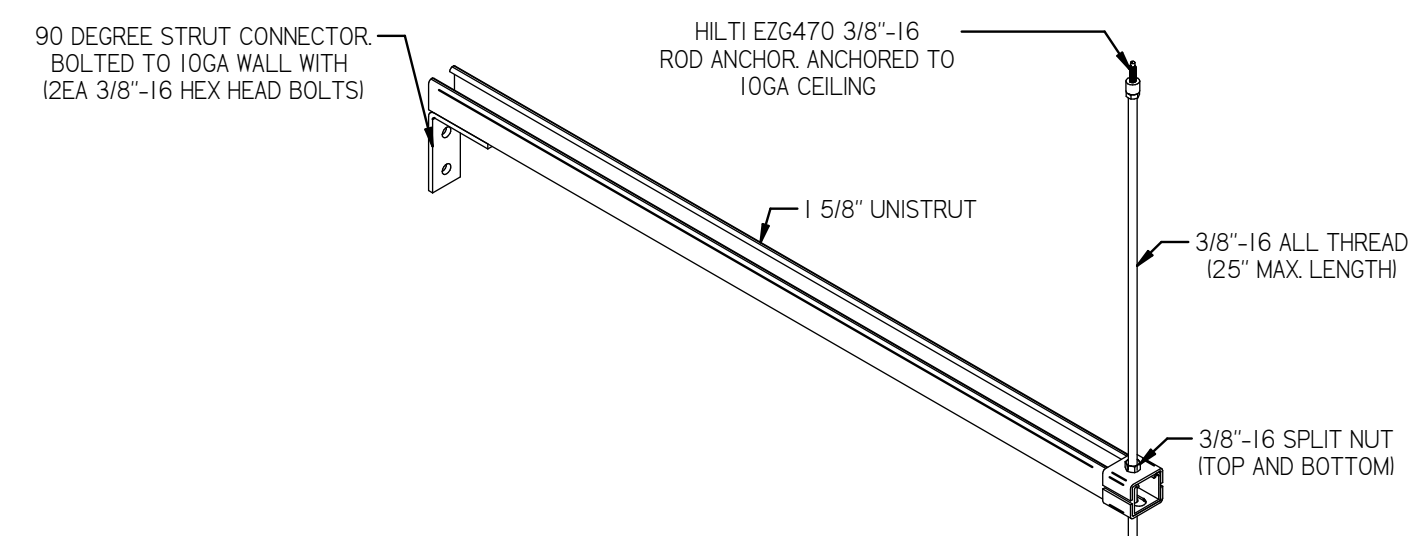
Rev:	Date:	Description:	By:	Approved:
FR 2.0	8/30/2018	ISSUED FOR REVIEW 2.0 - UPDATED PER P. E. L. REDLINES DATED 8/29/2018	WR	JY
FR 3.0	9/4/2018	ISSUED FOR REVIEW 3.0 - UPDATED PER P. E. L. AND ENGINEER REDLINES DATED 8/31/2018	WR	JY
IFC 1.0	9/7/2018	ISSUED FOR CONSTRUCTION	WR	JY
			NA	NA
			NA	NA
			NA	NA
			NA	NA

DRAWN BY: wrasmussen
ENGINEERED BY: J.S.Y., M.E.
APPROVED BY: -
DATE: 7/25/2018
PROJECT NO. 217250-1-1
REV. IFC 1.0

DRAWING NO. M-9
SHT 9 OF 45



CABLE TRAY HANGER (NO ADJACENT WALL)
4'-0" O.C. MAX SPACING



CABLE TRAY HANGER (ADJACENT WALL)
4'-0" O.C. MAX SPACING

CABLE TRAY PARTS LIST			
Item Number	Quantity	File Name	Length
1	2	26A09-24-240	20'-0"
2	1	26A09-24-240	2'-8 5/16"
3	2	6A-24-HT24	N/A
4	2	26A09-24-240	2'-1/2"
5	2	26A09-24-240	18'-9"

NOTES:

THE CABLE TRAY WILL BE HELD UP NEAR THE WALL BY UNISTRUT MOUNTED TO THE WALL USING STANDARD L-BRACKETS. CABLE TRAY AWAY FROM THE WALL WILL BE ATTACHED TO THE CEILING USING A UNISTRUT TRAPEZE, ALL THREAD, AND THREADED ANCHORS DRILLED INTO THE CEILING.

SPACING BETWEEN THE UNISTRUT HANGERS SHALL NOT EXCEED 4'-0" O.C.

CABLE TRAY MAX LOAD SHALL NOT EXCEED X PLF FOR 24" TRAY.

UNISTRUT LOCATIONS DEPICTED IN DETAIL ABOVE ARE SUBJECT TO CHANGE PER NEC AND INDIVIDUAL BUILDING REQUIREMENTS.



THE ACCOMPANYING PROFESSIONAL ENGINEER'S SEAL APPLIES TO THE STRUCTURAL ELEMENTS ONLY.



1511 SOUTH HIGHWAY 6, PRICE, UT 84501
PHONE: (435) 637-7160 FAX: (435) 637-9601

8221 EAST 96TH AVE, UNIT A, HENDERSON, CO 80640
PHONE: (720) 409-1000

100 VALLEY DRIVE, SOUTHPOINT, OH 45680
PHONE: (740) 414-4770 FAX: (606) 644-0432

400 SWAN AVENUE, CENTRALIA, IL 62801
PHONE: (618) 214-1063 FAX: (606) 644-0442

THIS DOCUMENT CONTAINS CONFIDENTIAL AND/OR PROPRIETARY INFORMATION. ANY USE, REVIEW, RETRANSMISSION, DISSEMINATION OR OTHER USE OF, OR PURSUING OF ANY ACTION IN RELIANCE UPON THIS INFORMATION IS STRICTLY PROHIBITED WITHOUT PROPER AUTHORIZATION FROM INTERMOUNTAIN ELECTRONICS.

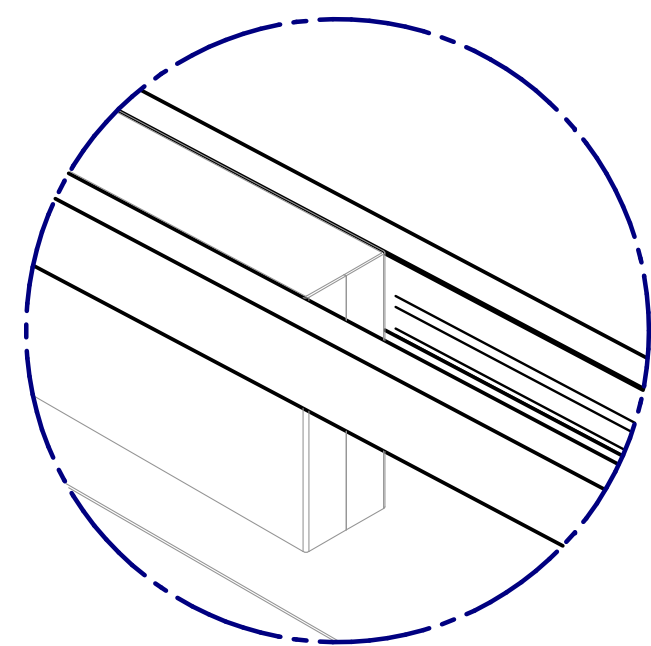
PDC ENERGY
PDC-1000
CABLE TRAY DETAILS

REVISIONS

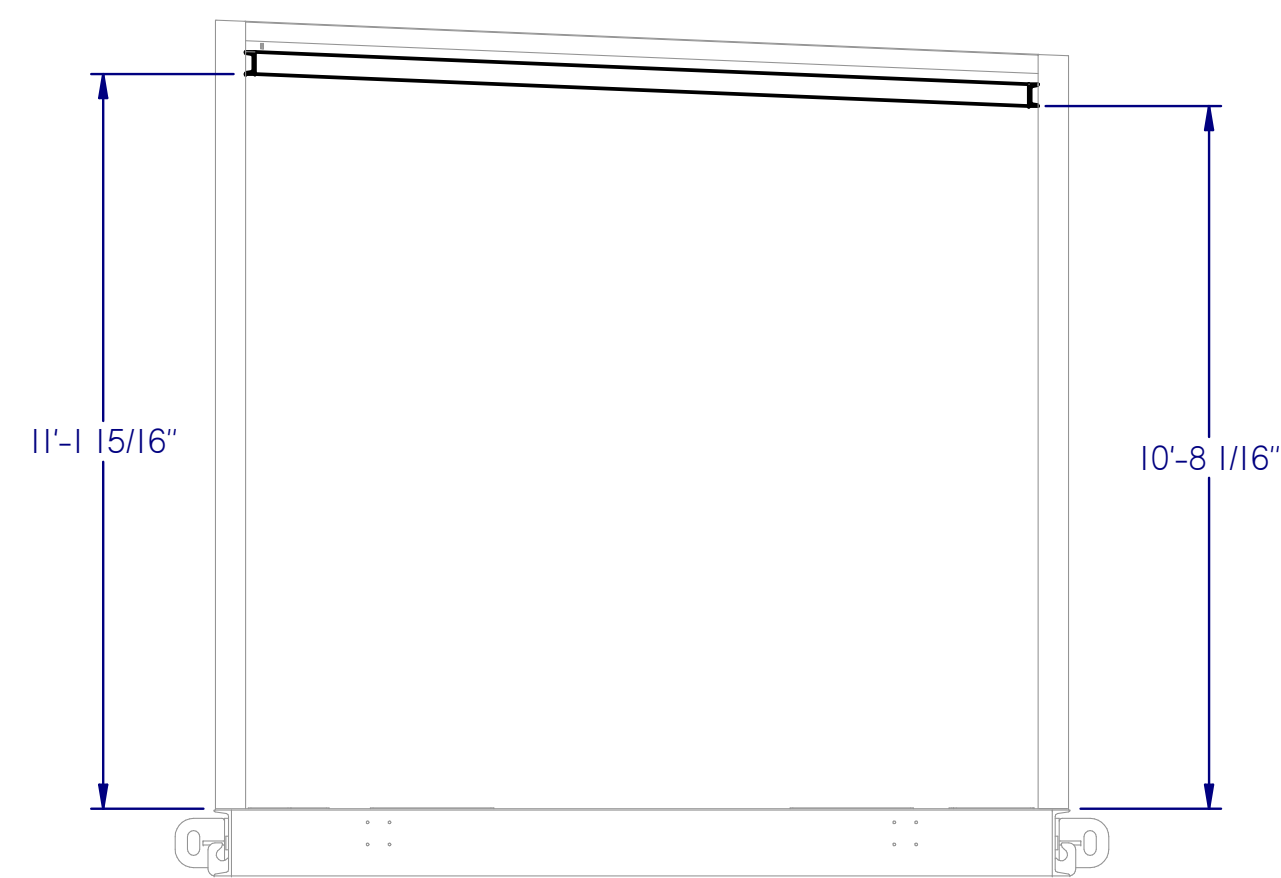
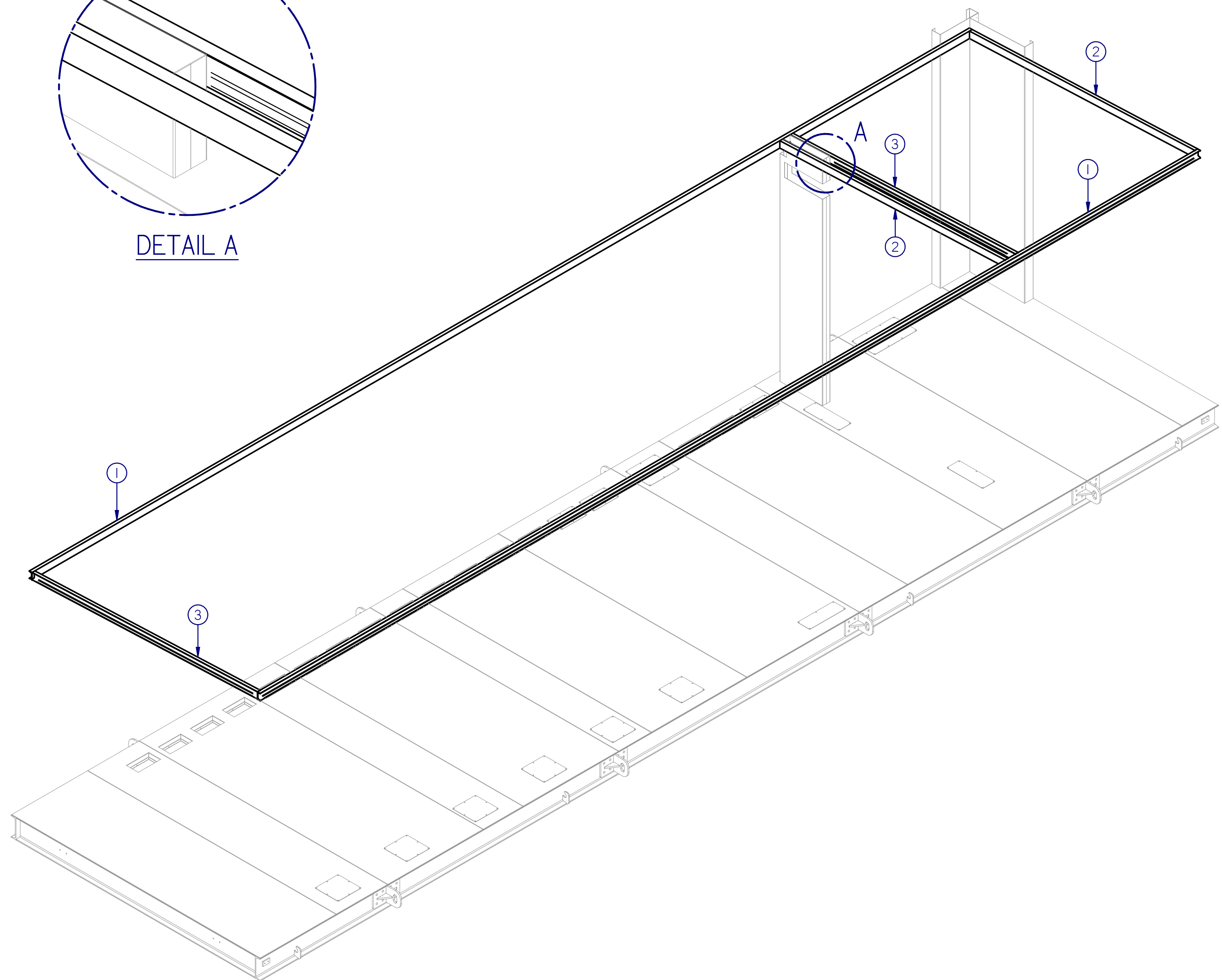
Rev:	Date:	Description:	By:	Approved:
FR 2.0	8/30/2018	ISSUED FOR REVIEW 2.0 - UPDATED PER P. E. L. REDLINES DATED 8/29/2018	WR	JY
FR 3.0	9/4/2018	ISSUED FOR REVIEW 3.0 - UPDATED PER P. E. L. AND ENGINEER REDLINES DATED 8/31/2018	WR	JY
IFC 1.0	9/7/2018	ISSUED FOR CONSTRUCTION	WR	JY
			NA	NA
			NA	NA
			NA	NA
			NA	NA

DRAWN BY: wrasmussen
ENGINEERED BY: J.S.Y., M.E.
APPROVED BY: -
DATE: 7/25/2018
PROJECT NO. 217250-1-1
REV. IFC 1.0

DRAWING NO. M-10
SHT 10 OF 45



DETAIL A

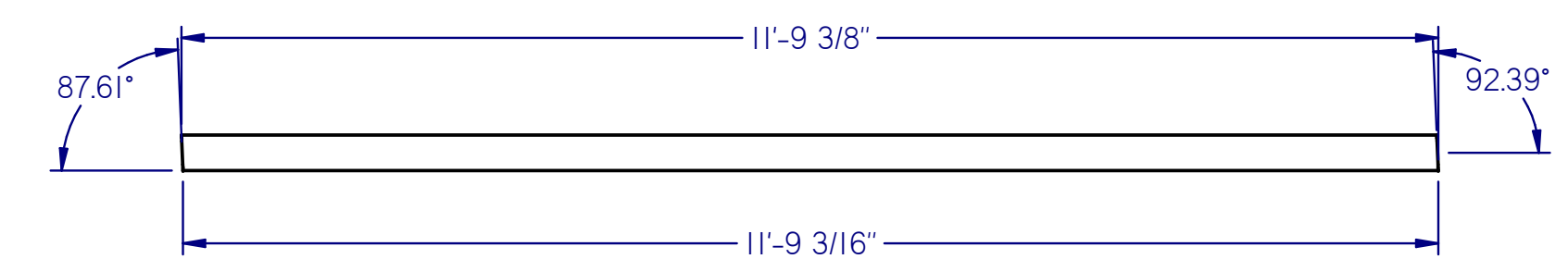


NOTES

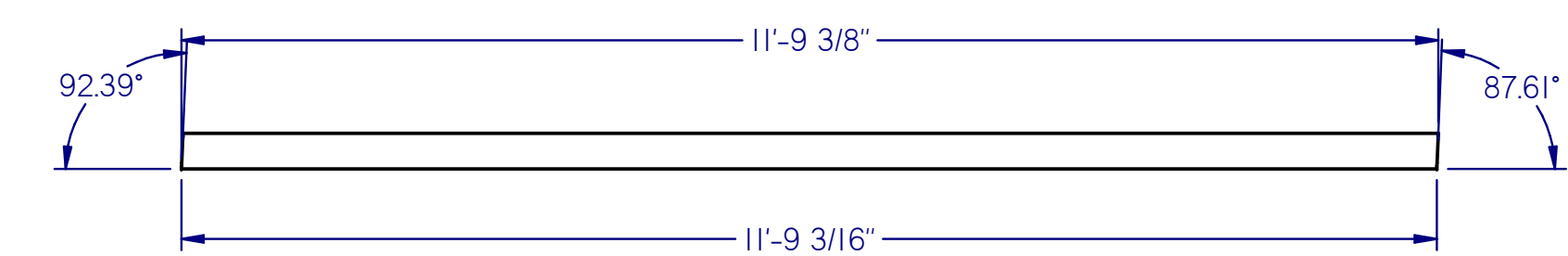
ALL CHANNEL VIEWS ARE ORIENTED TOE OUT OF PAGE.

VERIFY LENGTH BEFORE CUTTING.

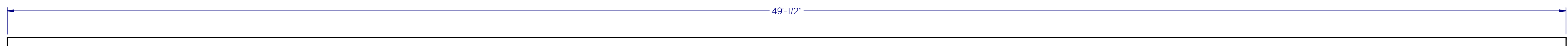
PERIMETER CHANNEL CUT LIST		
Item Number	Quantity	File Name
1	2	Section_ASTM_A36_2008_in_C_4x7.25_v12.00
2	2	Section_ASTM_A36_2008_in_C_4x7.25_v12.00_1
3	2	Section_ASTM_A36_2008_in_C_4x7.25_v12.00_2



Section_ASTM_A36_2008_in_C_4x7.25_v12.00_1
Item #2 - 2 Each



Section_ASTM_A36_2008_in_C_4x7.25_v12.00_2
Item #3 - 2 Each



Section_ASTM_A36_2008_in_C_4x7.25_v12.00
Item #1 - 2 Each



Wright Engineers
Firm #: 14071
09/11/2018

THE ACCOMPANYING PROFESSIONAL ENGINEER'S SEAL APPLIES TO THE STRUCTURAL ELEMENTS ONLY



- 1511 SOUTH HIGHWAY 6, PRICE, UT 84501
PHONE: (435) 637-7160 FAX: (435) 637-9601
- 8221 EAST 96TH AVE, UNIT A, HENDERSON, CO 80640
PHONE: (720) 409-1000
- 100 VALLEY DRIVE, SOUTHPOINT, OH 45680
PHONE: (740) 414-4770 FAX: (606) 644-0432
- 400 SWAN AVENUE, CENTRALIA, IL 62801
PHONE: (618) 214-1063 FAX: (606) 644-0442

THIS DOCUMENT CONTAINS CONFIDENTIAL AND/OR PROPRIETARY INFORMATION. ANY USE, REVIEW, RETRANSMISSION, DISSEMINATION OR OTHER USE OF, OR PURSUING OF ANY ACTION IN RELIANCE UPON THIS INFORMATION IS STRICTLY PROHIBITED WITHOUT PROPER AUTHORIZATION FROM INTERMOUNTAIN ELECTRONICS.

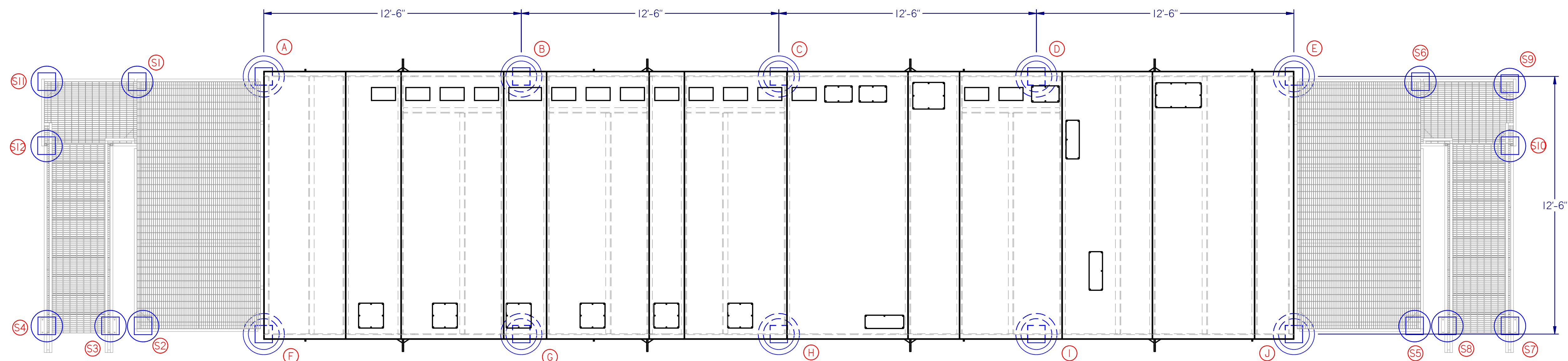
PDC ENERGY
PDC-1000
PERIMETER CHANNEL CUT LIST

REVISIONS

Rev:	Date:	Description:	By:	Approved:
FR 2.0	8/30/2018	ISSUED FOR REVIEW 2.0 - UPDATED PER P. E. L. REDLINES DATED 8/29/2018	WR	JY
FR 3.0	9/4/2018	ISSUED FOR REVIEW 3.0 - UPDATED PER P. E. L. AND ENGINEER REDLINES DATED 8/31/2018	WR	JY
IFC 1.0	9/7/2018	ISSUED FOR CONSTRUCTION	WR	JY
			NA	NA
			NA	NA
			NA	NA
			NA	NA

DRAWN BY: wrasmussen
ENGINEERED BY: J.S.Y., M.E.
APPROVED BY: -
DATE: 7/25/2018
PROJECT NO. 217250-1-1
REV. IFC 1.0

DRAWING NO. **M-11**
SHT 11 OF 45



PLAN VIEW
Foundation Details

**PDC ENERGY 217250-1-1
BUILDING PIER REACTIONS**

WIDTH 13 FT		LENGTH 50		HT. 13 FT	
BUILDING CODE	2015 IBC	WIND	RISK CATEGORY III	SEISMIC	RISK CATEGORY III
FLOOR DEAD LOAD =	59 PSF (INCLUDES CABLE TRAYS)*+ EQUIPMENT"	RISK CATEGORY	III	V =	120 MPH
ROOF DEAD LOAD =	32 PSF (INCLUDES CABLE TRAYS)	EXPOSURE	C	I =	1.25
WALL DEAD LOAD =	14 PSF	qh =	28.2 PSF	R =	2
FLOOR LIVE LOAD =	250 PSF	WIND =	18.1 PSF	SITE C	D
ROOF LIVE LOAD =	20 PSF	LEE =	12 PSF	SDC	B
SNOW LOAD =	30 PSF	ROOF =	31.2 PSF	Ss =	0.152
ICE LOAD =	0 PSF	INT. =	5.1 PSF	S1 =	0.048
		V =	21.085 KIPS	SDS =	0.162
				SD1 =	0.077
				CS =	0.101
				V =	14.532 KIPS

REACTIONS (UNFACTORED)																
LOCATION	DEAD		LIVE		ROOF		SNOW		WIND UP/DN		WIND SHEAR	SEISMIC UP/DN	SEISMIC SHEAR			
A	6.36	kips	9.79	kips	0.80	kips	1.71	kips	5.46	kips	3.29	kips	3.89	kips	2.29	kips
B	13.36	kips	23.49	kips	1.85	kips	2.78	kips	-	kips	1.32	kips	-	kips	1.45	kips
C	10.95	kips	19.06	kips	1.51	kips	2.27	kips	-	kips	1.32	kips	-	kips	1.45	kips
D	13.17	kips	22.94	kips	1.85	kips	2.78	kips	-	kips	1.32	kips	-	kips	1.45	kips
E	5.52	kips	9.59	kips	0.80	kips	1.66	kips	5.46	kips	3.29	kips	3.89	kips	2.29	kips
F	7.02	kips	11.79	kips	0.98	kips	1.99	kips	5.46	kips	3.29	kips	3.89	kips	2.29	kips
G	9.66	kips	20.43	kips	1.63	kips	2.44	kips	-	kips	1.32	kips	-	kips	1.45	kips
H	9.36	kips	20.03	kips	1.63	kips	2.44	kips	-	kips	1.32	kips	-	kips	1.45	kips
I	10.47	kips	20.08	kips	1.63	kips	2.44	kips	-	kips	1.32	kips	-	kips	1.45	kips
J	6.46	kips	11.85	kips	0.98	kips	1.95	kips	5.46	kips	3.29	kips	3.89	kips	2.29	kips
S1	0.72	kips	2.667	kips												
S2	0.52	kips	1.781	kips												
S3	0.69	kips	3.048	kips												
S4	0.10	kips	0.286	kips												
S5	0.47	kips	1.607	kips												
S6	0.59	kips	2.209	kips												
S7	0.10	kips	0.523	kips												
S8	0.72	kips	3.148	kips												
S9	0.10	kips	0.401	kips												
S10	0.44	kips	2.045	kips												
S11	0.18	kips	0.716	kips												
S12	0.50	kips	2.251	kips												

FOUNDATION AND BUILDING ATTACHMENTS SHALL BE DESIGNED BY OTHERS. FOUNDATION SHALL BE 5'-0" MAX TALL PIERS SPACED AS SHOWN. DESIGN FOUNDATION AND BUILDING ATTACHMENTS FOR LOADS INDICATED IN THE BUILDING PIER REACTIONS TABLE.



THE ACCOMPANYING PROFESSIONAL ENGINEER'S SEAL APPLIES TO THE STRUCTURAL ELEMENTS ONLY



1511 SOUTH HIGHWAY 6, PRICE, UT 84501
PHONE: (435) 637-7160 FAX: (435) 637-9601
8221 EAST 96TH AVE, UNIT A, HENDERSON, CO 80640
PHONE: (720) 409-1000
100 VALLEY DRIVE, SOUTHPOINT, OH 45680
PHONE: (740) 414-4770 FAX: (606) 644-0432
400 SWAN AVENUE, CENTRALIA, IL 62801
PHONE: (618) 214-1063 FAX: (606) 644-0442

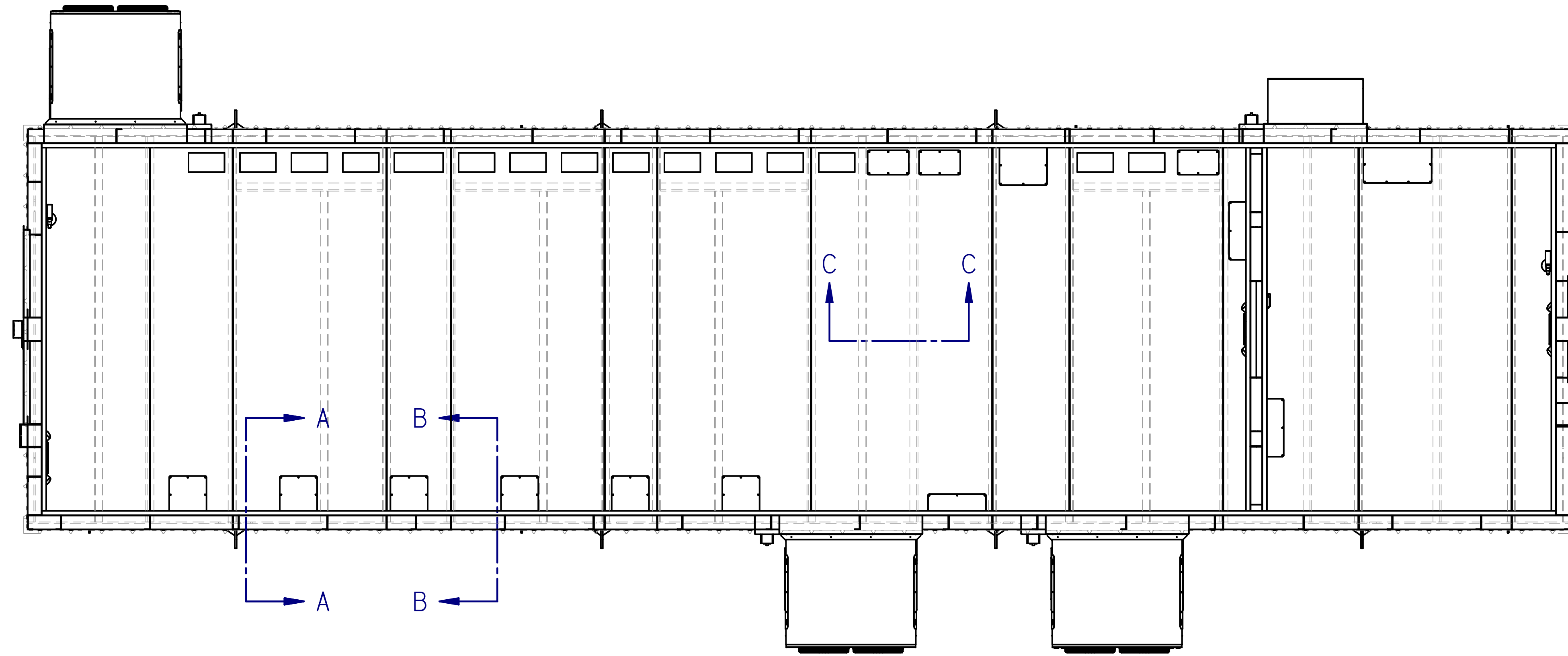
THIS DOCUMENT CONTAINS CONFIDENTIAL AND/OR PROPRIETARY INFORMATION. ANY USE, REVIEW, RETRANSMISSION, DISSEMINATION OR OTHER USE OF, OR PURSUING OF ANY ACTION IN RELIANCE UPON THIS INFORMATION IS STRICTLY PROHIBITED WITHOUT PROPER AUTHORIZATION FROM INTERMOUNTAIN ELECTRONICS.

**PDC ENERGY
PDC-1000
FOUNDATION DETAILS**

Rev.	Date	Description	By	Approved
FR 2.0	8/30/2018	ISSUED FOR REVIEW 2.0 - UPDATED PER P. E. L. REDLINES DATED 8/29/2018	WR	JY
FR 3.0	9/4/2018	ISSUED FOR REVIEW 3.0 - UPDATED PER P. E. L. AND ENGINEER REDLINES DATED 8/31/2018	WR	JY
IFC 1.0	9/7/2018	ISSUED FOR CONSTRUCTION	WR	JY
			NA	NA
			NA	NA
			NA	NA
			NA	NA
			NA	NA

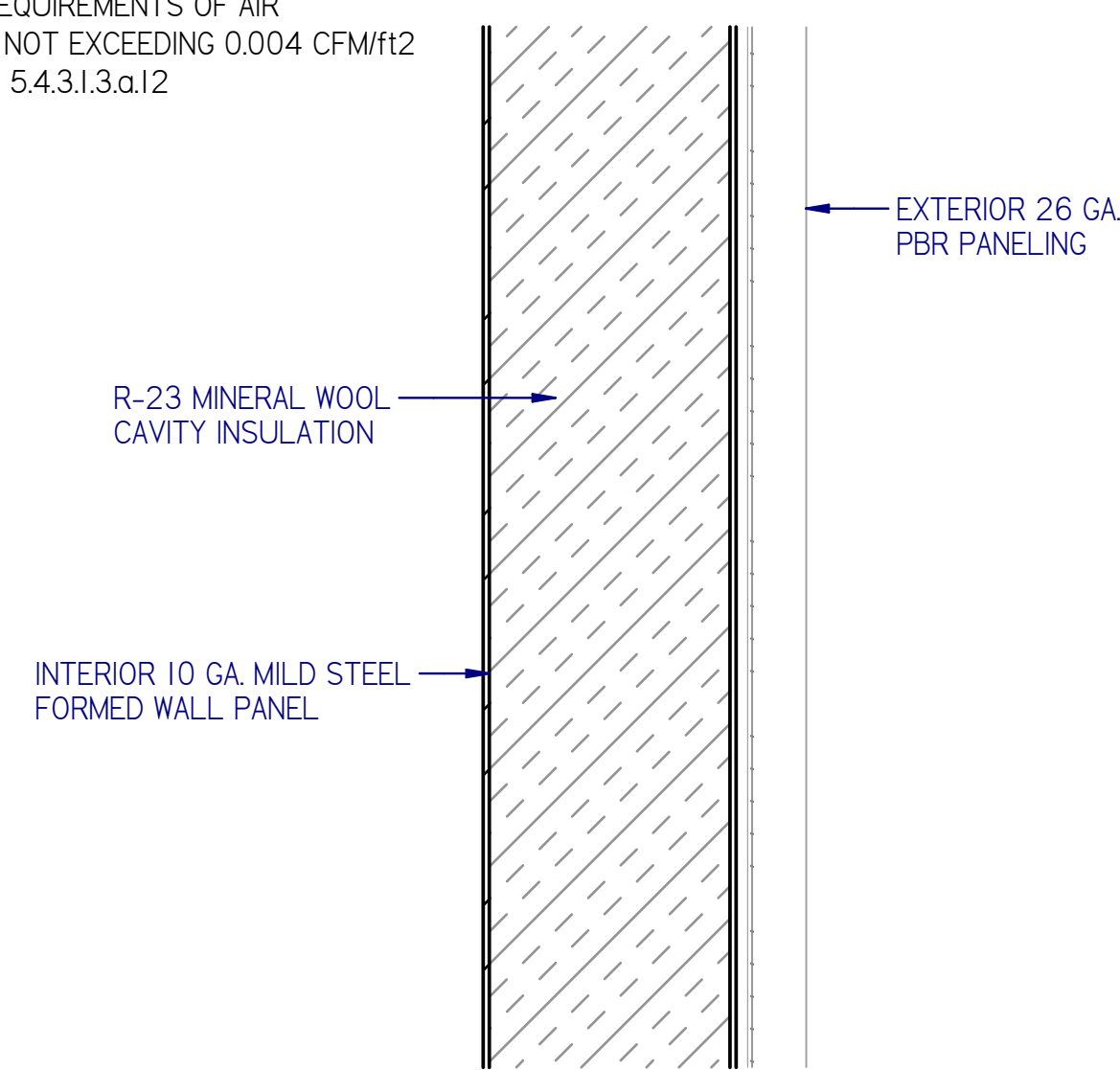
DRAWN BY: wrasmussen
ENGINEERED BY: J.S.Y., M.E.
APPROVED BY: -
DATE: 7/25/2018
PROJECT NO. 217250-1-1
REV. IFC 1.0

DRAWING NO. M-12
SHT 12 OF 45

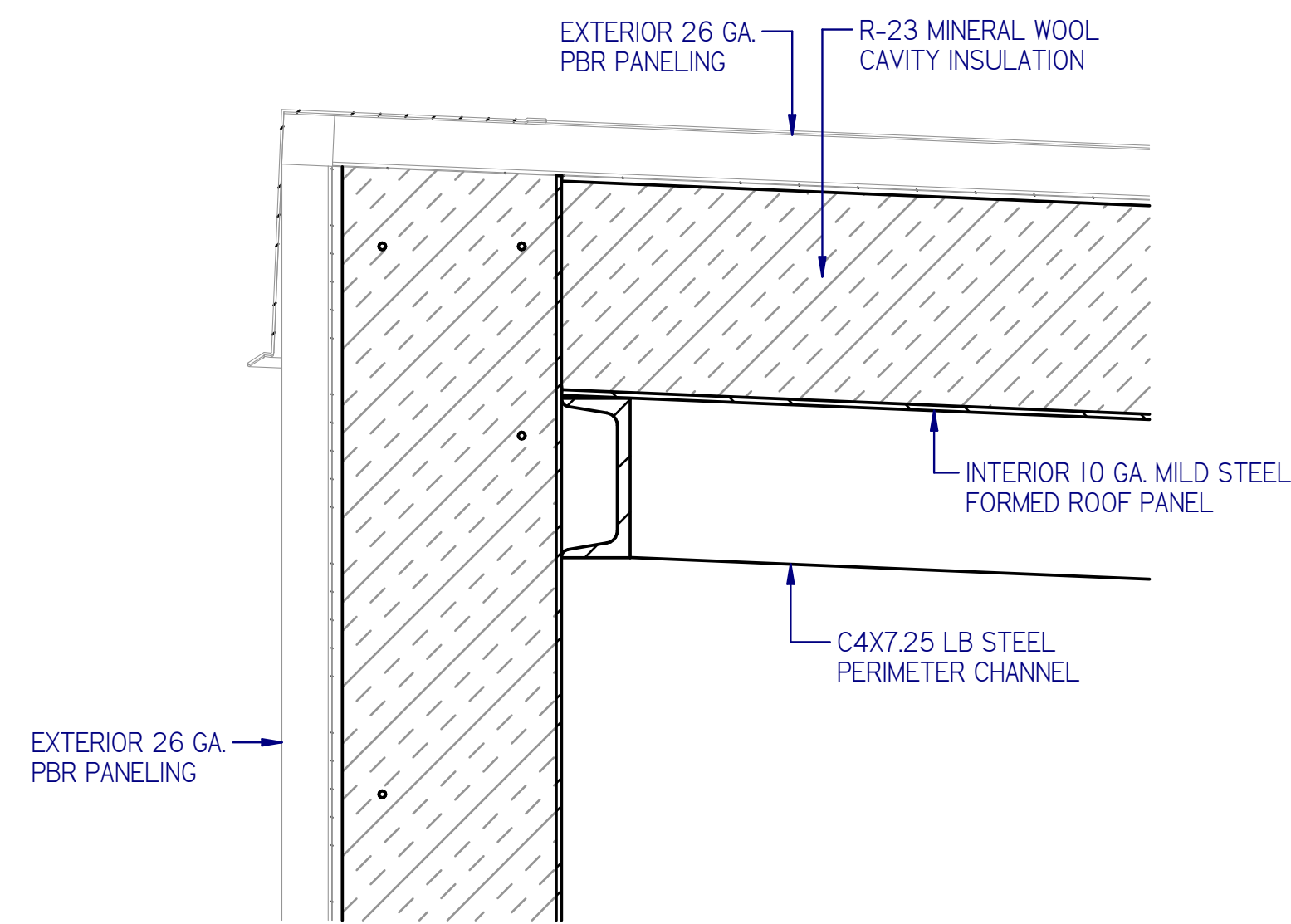


PLAN VIEW
Insulation Details

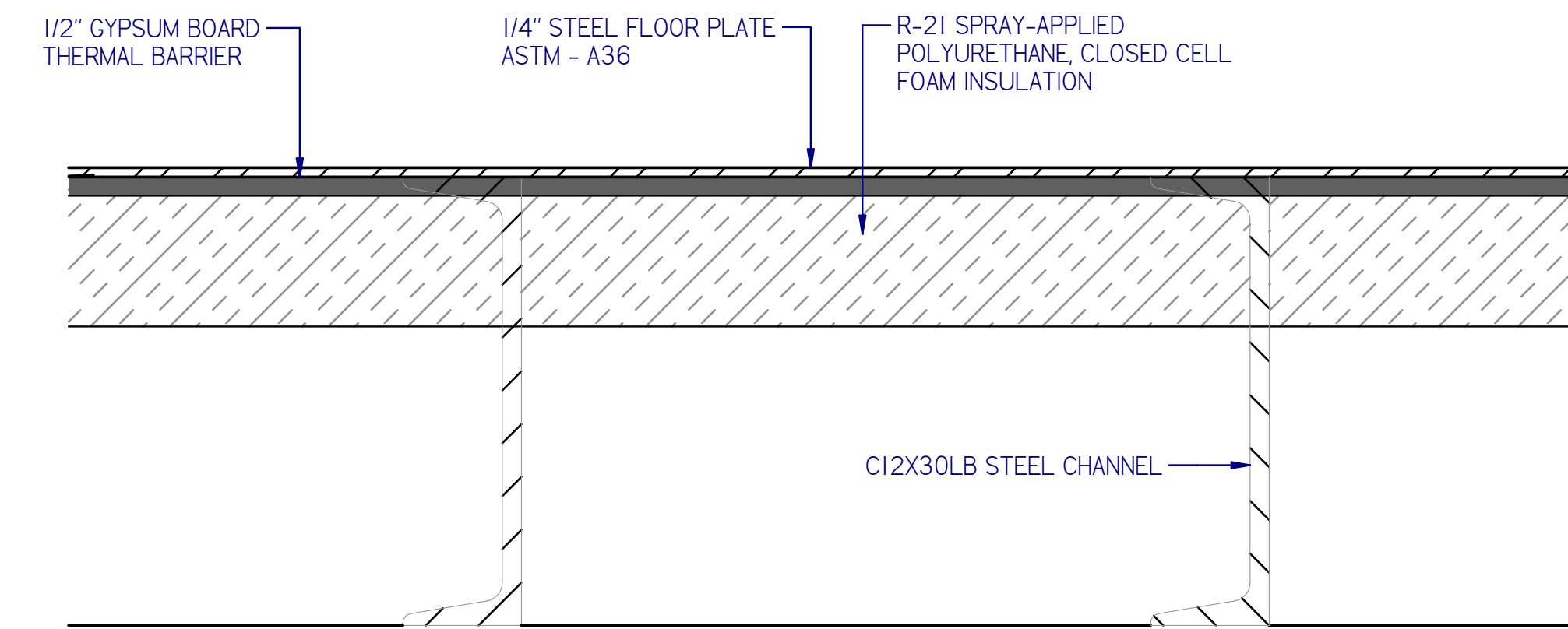
NOTE:
AIR BARRIER COMPRISED OF SHEET STEEL
AND SILICONE ON EXTERIOR SEAMS WHICH
MEET THE REQUIREMENTS OF AIR
PERMEANCE NOT EXCEEDING 0.004 CFM/ft²
PER ASHRAE 5.4.3.1.3.a.12



SECTION A-A
TYPICAL WALL DETAIL CUT-AWAY



SECTION B-B
TYPICAL ROOF DETAIL CUT-AWAY



SECTION C-C
TYPICAL FLOOR DETAIL CUT-AWAY



1511 SOUTH HIGHWAY 6, PRICE, UT 84501
PHONE: (435) 637-7160 FAX: (435) 637-9601
8221 EAST 96TH AVE, UNIT A, HENDERSON, CO 80640
PHONE: (720) 409-1000
100 VALLEY DRIVE, SOUTHPOINT, OH 45680
PHONE: (740) 414-4770 FAX: (606) 644-0432
400 SWAN AVENUE, CENTRALIA, IL 62801
PHONE: (618) 214-1063 FAX: (606) 644-0442

THIS DOCUMENT CONTAINS
CONFIDENTIAL AND/OR
PROPRIETARY INFORMATION.
ANY USE, REVIEW,
RETRANSMISSION,
DISSEMINATION OR OTHER
USE OF, OR PURSUING OF ANY
ACTION IN RELIANCE UPON THIS
INFORMATION IS STRICTLY
PROHIBITED WITHOUT PROPER
AUTHORIZATION FROM
INTERMOUNTAIN ELECTRONICS.

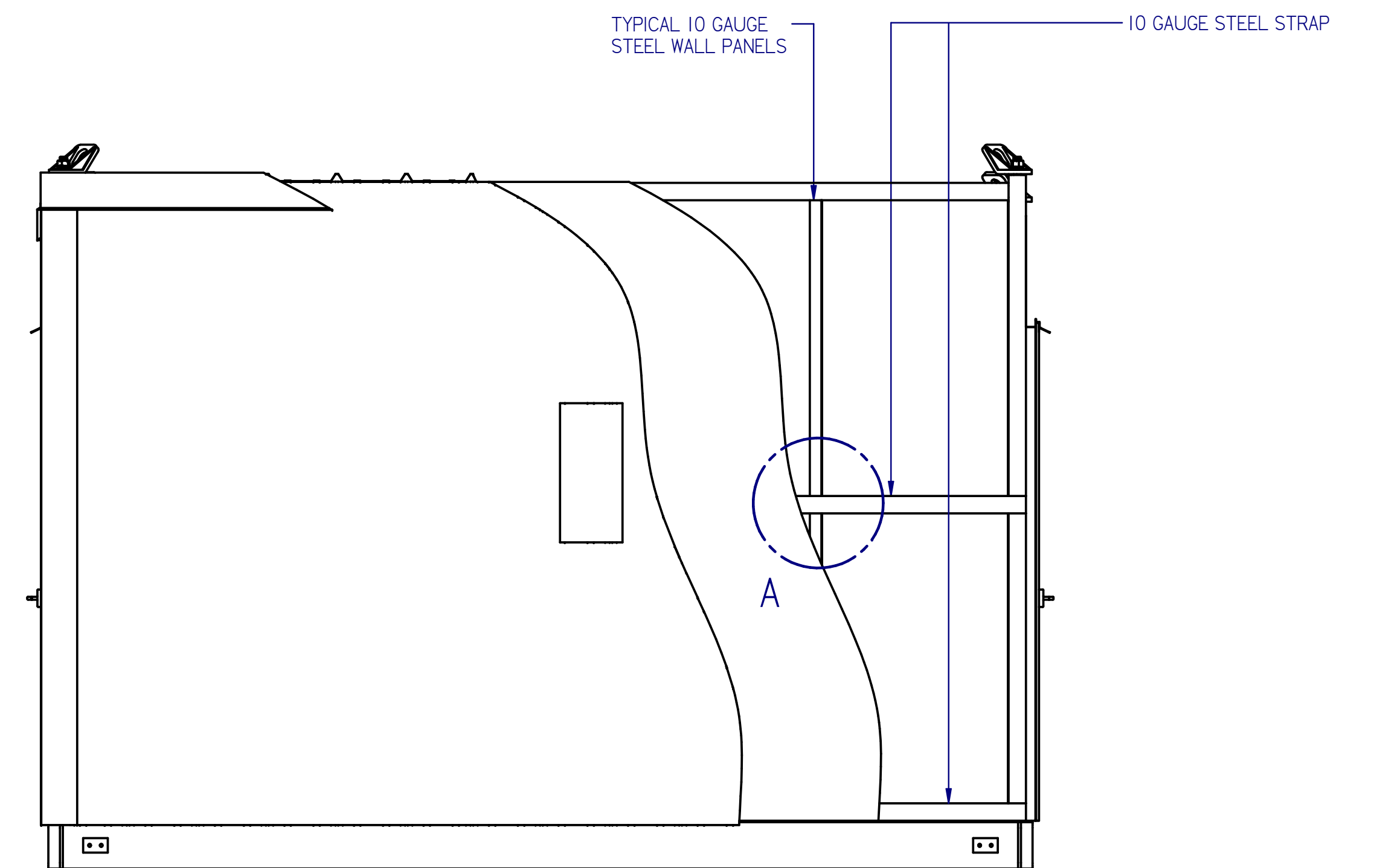
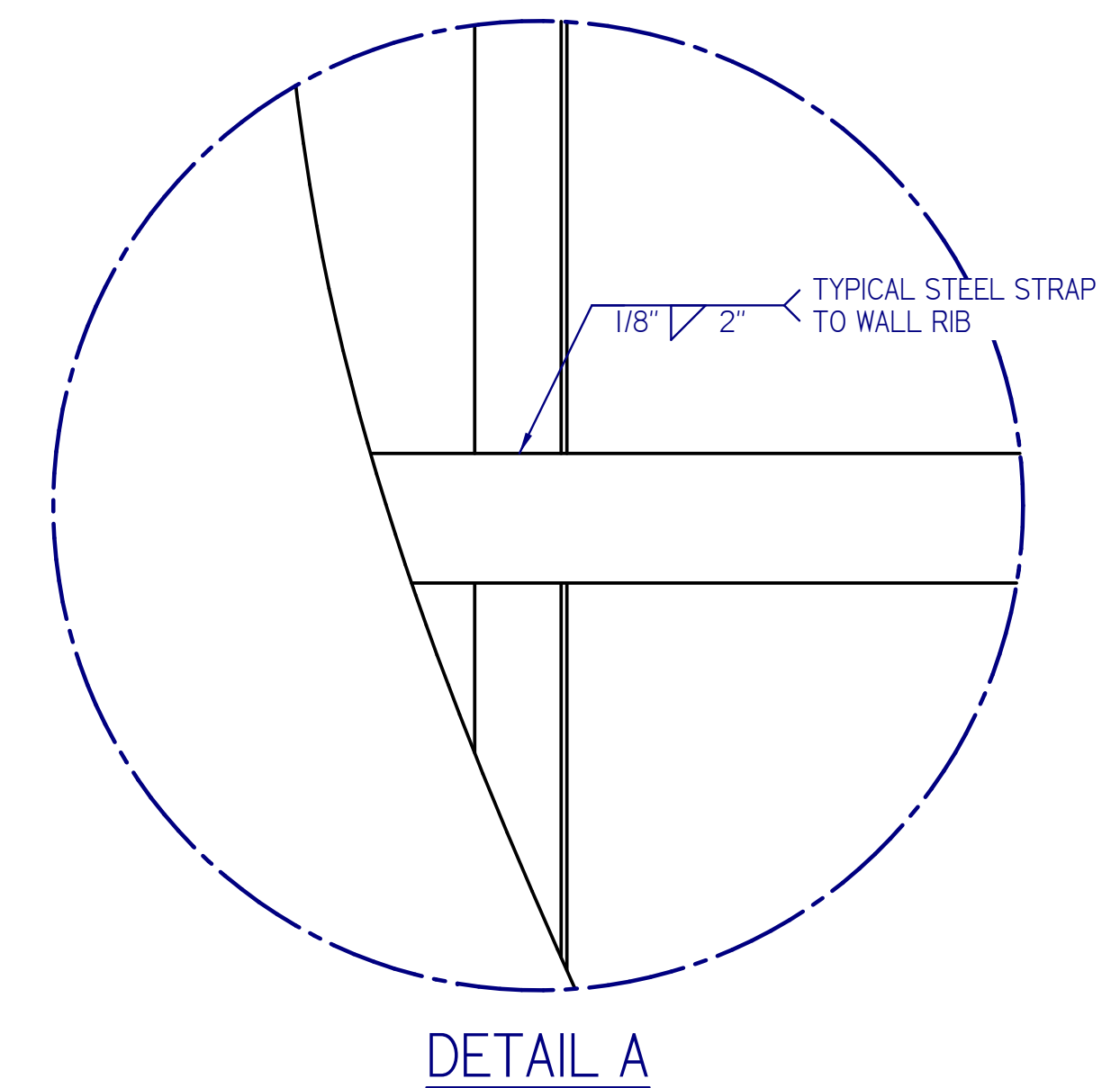
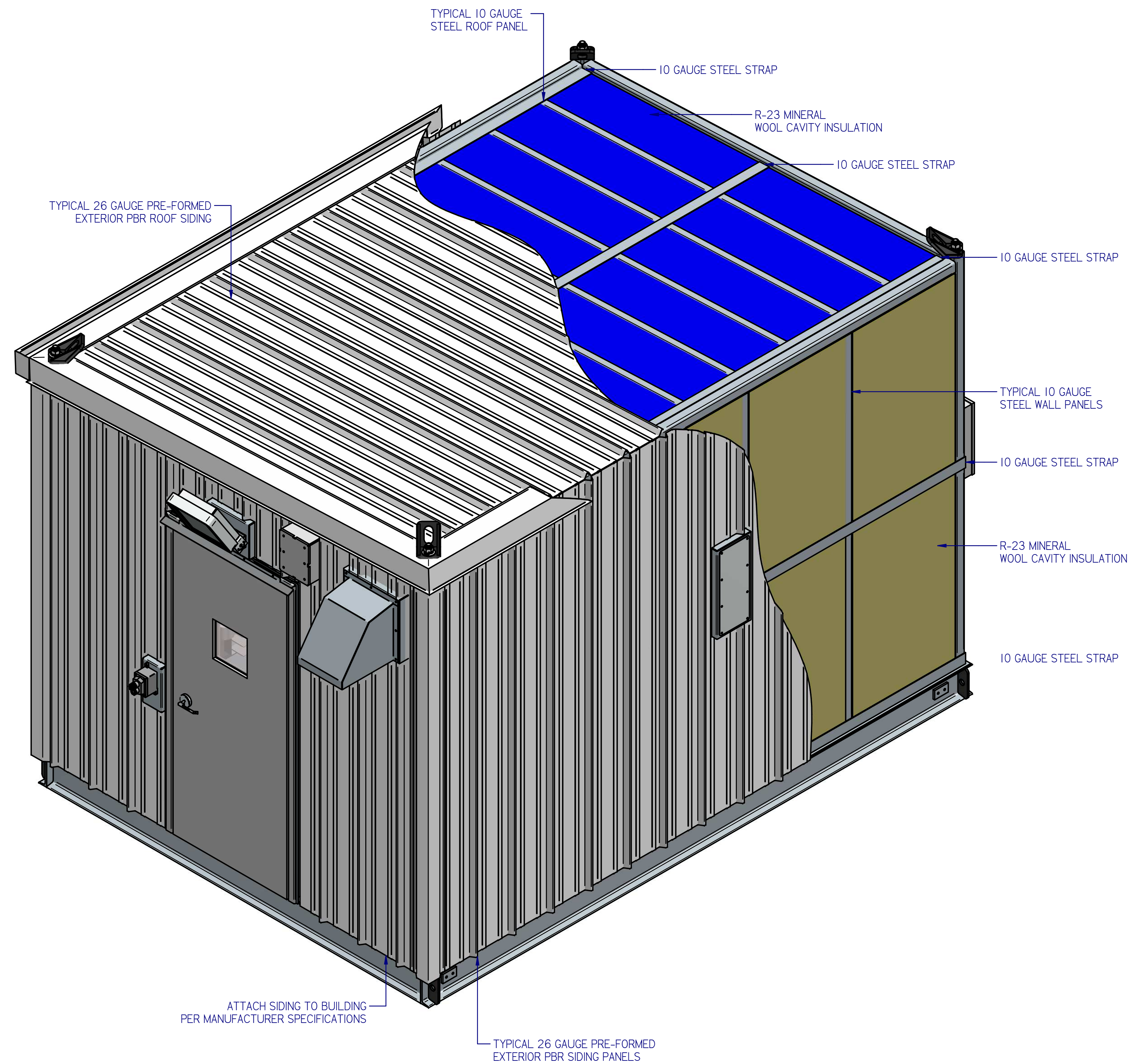
PDC ENERGY
PDC-1000
INSULATION DETAILS

REVISIONS

Rev:	Date:	Description:	By:	Approved:
FR 2.0	8/30/2018	ISSUED FOR REVIEW 2.0 - UPDATED PER P. E. L. REDLINES DATED 8/29/2018	WR	JY
FR 3.0	9/4/2018	ISSUED FOR REVIEW 3.0 - UPDATED PER P. E. L. AND ENGINEER REDLINES DATED 8/31/2018	WR	JY
IFC 1.0	9/7/2018	ISSUED FOR CONSTRUCTION	WR	JY
			NA	NA
			NA	NA
			NA	NA
			NA	NA

DRAWN BY: wrasmussen
ENGINEERED BY: J.S.Y., M.E.
APPROVED BY: -
DATE: 7/25/2018
PROJECT NO. 217250-1-1
REV. IFC 1.0

DRAWING NO. **M-13**
SHT 13 OF 45



TYPICAL WALL PANEL FURRING FOR EXTERIOR SHEETING ATTACHMENT

(THIS MODEL IS FOR ATTACHMENT STANDARDS ONLY AND DOES NOT REPRESENT THE ACTUAL MODEL)



THE ACCOMPANYING PROFESSIONAL ENGINEER'S SEAL APPLIES TO THE STRUCTURAL ELEMENTS ONLY



- 1511 SOUTH HIGHWAY 6, PRICE, UT 84501
PHONE: (435) 637-7160 FAX: (435) 637-9601
- 8221 EAST 96TH AVE, UNIT A, HENDERSON, CO 80640
PHONE: (720) 409-1000
- 100 VALLEY DRIVE, SOUTHPOINT, OH 45680
PHONE: (740) 414-4770 FAX: (606) 644-0432
- 400 SWAN AVENUE, CENTRALIA, IL 62801
PHONE: (618) 214-1063 FAX: (606) 644-0442

THIS DOCUMENT CONTAINS CONFIDENTIAL AND/OR PROPRIETARY INFORMATION. ANY USE, REVIEW, RETRANSMISSION, DISSEMINATION OR OTHER USE OF, OR PURSUING OF ANY ACTION IN RELIANCE UPON THIS INFORMATION IS STRICTLY PROHIBITED WITHOUT PROPER AUTHORIZATION FROM INTERMOUNTAIN ELECTRONICS.

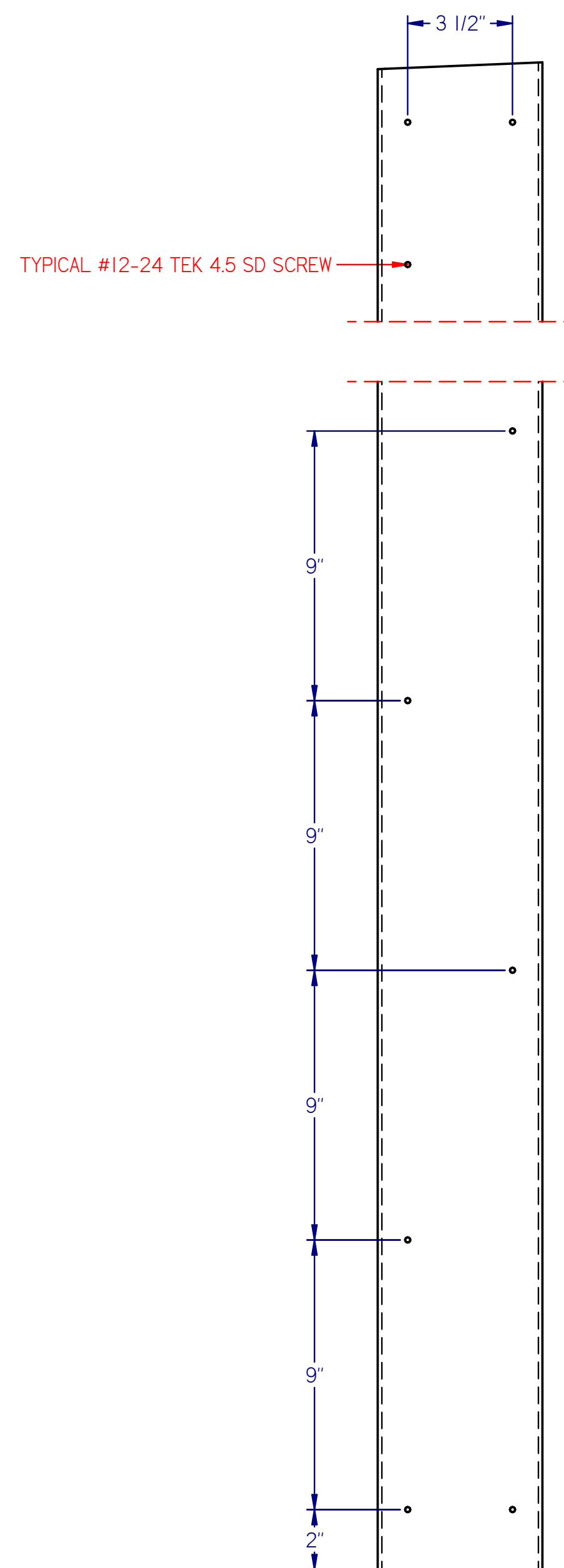
PDC ENERGY
PDC-1000

REVISIONS

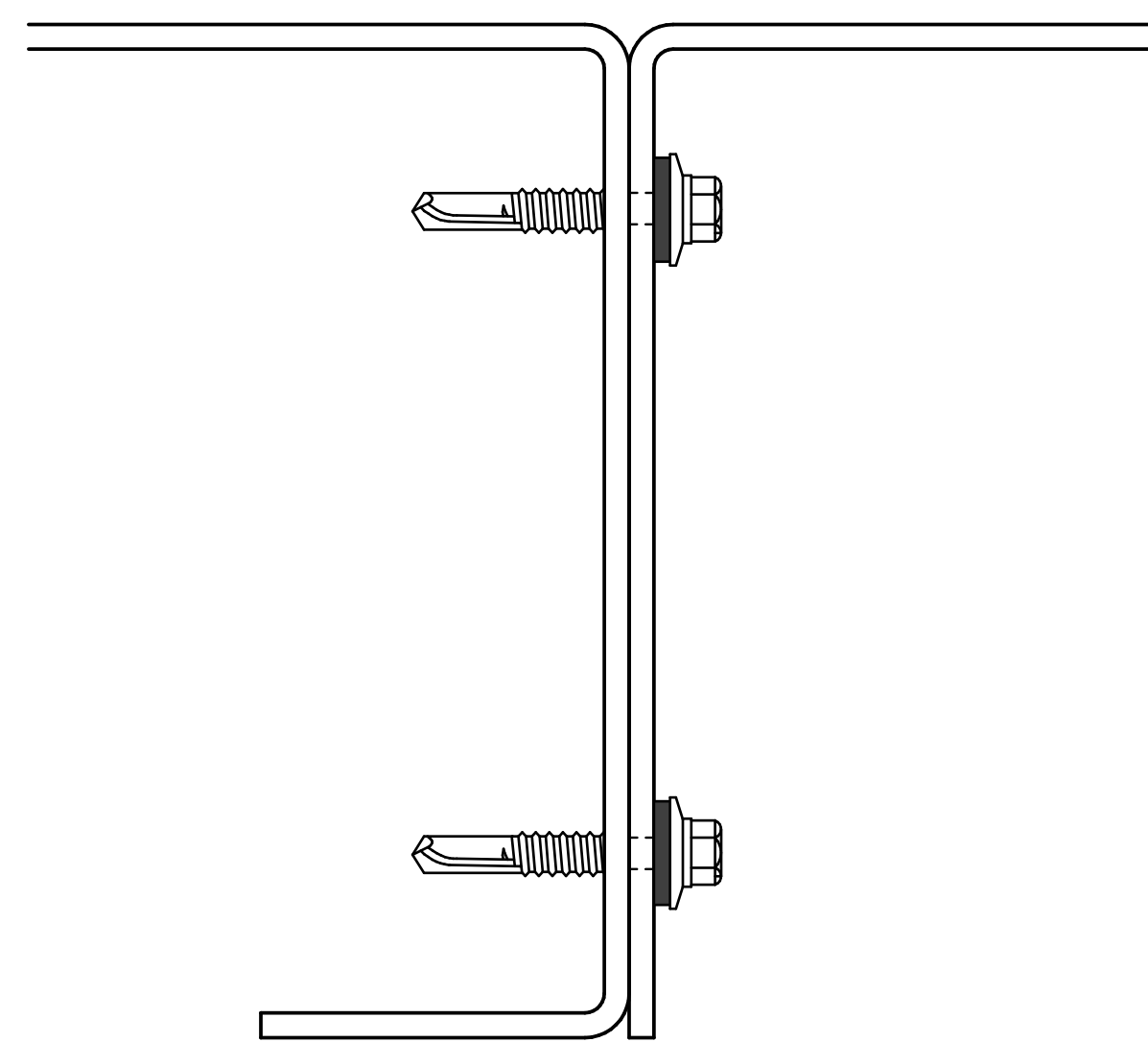
Rev:	Date:	Description:	By:	Approved:
FR 2.0	8/30/2018	ISSUED FOR REVIEW 2.0 - UPDATED PER P. E. L. REDLINES DATED 8/29/2018	WR	JY
FR 3.0	9/4/2018	ISSUED FOR REVIEW 3.0 - UPDATED PER P. E. L. AND ENGINEER REDLINES DATED 8/31/2018	WR	JY
IFC 1.0	9/7/2018	ISSUED FOR CONSTRUCTION	WR	JY
			NA	NA
			NA	NA
			NA	NA
			NA	NA

DRAWN BY: wrasmussen
 ENGINEERED BY: J.S.Y., M.E.
 APPROVED BY: -
 DATE: 7/25/2018
 PROJECT NO. 217250-1-1
 REV. IFC 1.0

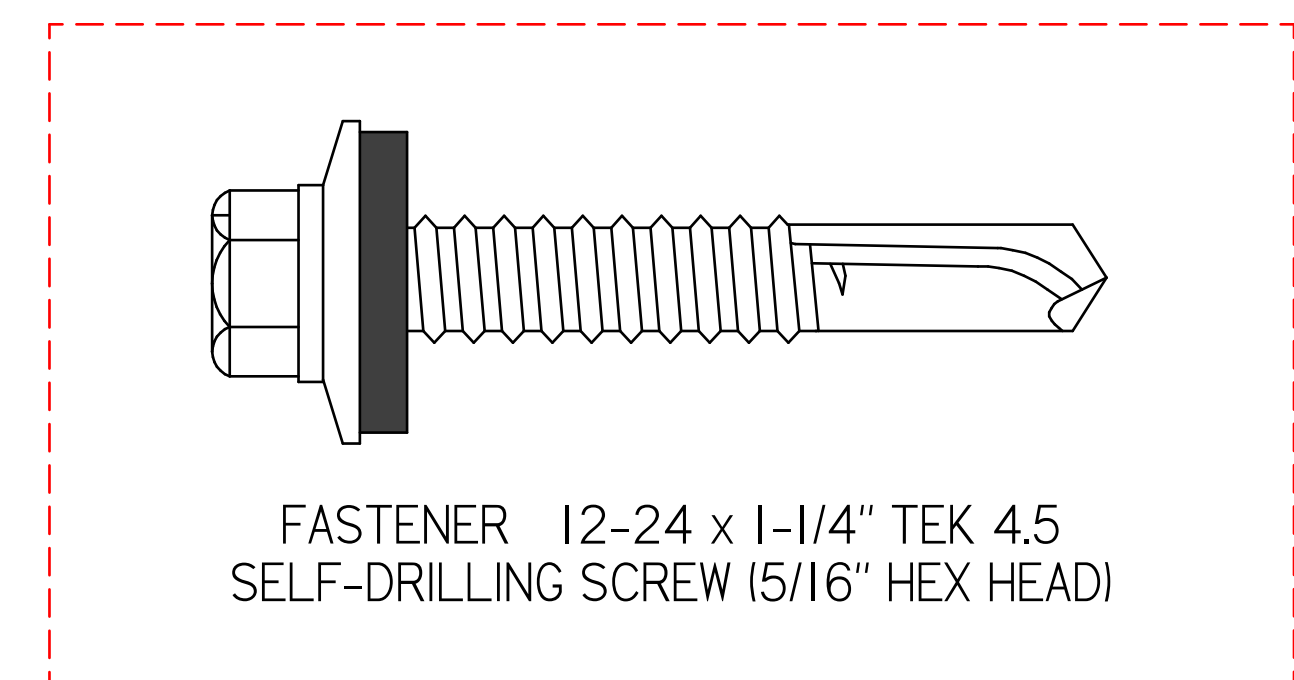
DRAWING NO. **M-14**
 SHT 14 OF 45



TYPICAL WALL PANEL SIDE VIEW
WALL PANEL HOLE SPACING



TYPICAL WALL PANEL TOP VIEW
WALL PANEL TO WALL PANEL CONNECTION



FASTENER 12-24 x 1-1/4" TEK 4.5
SELF-DRILLING SCREW (5/16" HEX HEAD)

- Fasteners shall be #12-24 x 1-1/4" TEK 4.5 SD screws.
- Screws shall be spaced 9" on center max, alternating as shown, for wall panel to panel connections.
- Two screws shall be placed side by side not exceeding 2" from wall panel ends.



THE ACCOMPANYING PROFESSIONAL ENGINEER'S SEAL APPLIES TO THE STRUCTURAL ELEMENTS ONLY

THIS DOCUMENT CONTAINS CONFIDENTIAL AND/OR PROPRIETARY INFORMATION. ANY USE, REVIEW, RETRANSMISSION, DISSEMINATION OR OTHER USE OF, OR PURSUING OF ANY ACTION IN RELIANCE UPON THIS INFORMATION IS STRICTLY PROHIBITED WITHOUT PROPER AUTHORIZATION FROM INTERMOUNTAIN ELECTRONICS.

PDC ENERGY
PDC-1000
WALL PANEL CONNECTIONS

REVISIONS

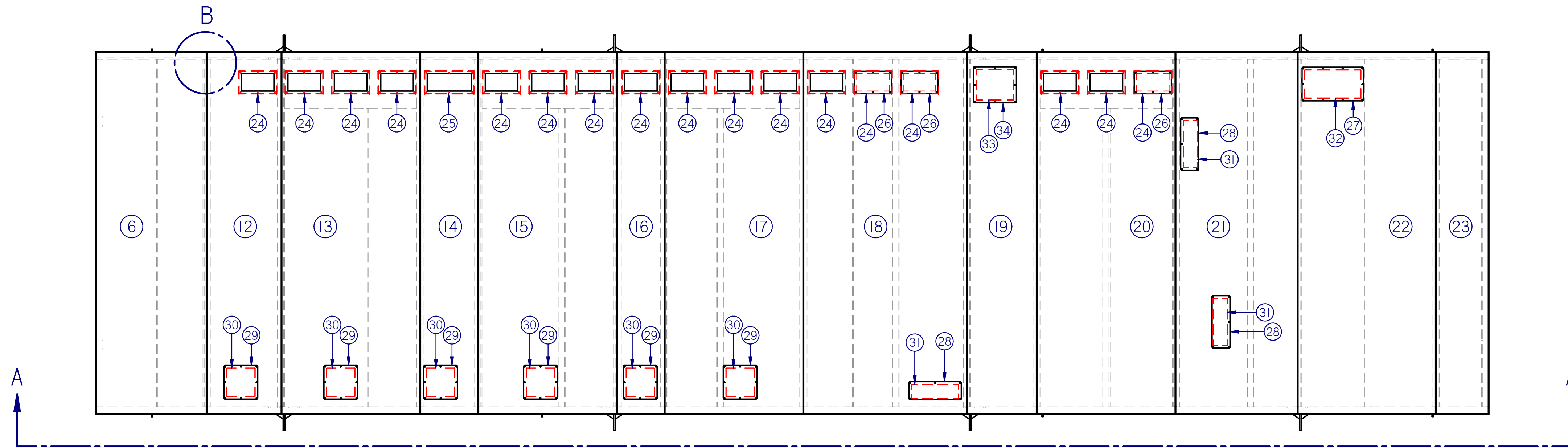
Rev:	Date:	Description:	By:	Approved:
FR 2.0	8/30/2018	ISSUED FOR REVIEW 2.0 - UPDATED PER P. E. L. REDLINES DATED 8/29/2018	WR	JY
FR 3.0	9/4/2018	ISSUED FOR REVIEW 3.0 - UPDATED PER P. E. L. AND ENGINEER REDLINES DATED 8/31/2018	WR	JY
IFC 1.0	9/7/2018	ISSUED FOR CONSTRUCTION	WR	JY
			NA	NA
			NA	NA
			NA	NA
			NA	NA

DRAWN BY: wrasmussen
ENGINEERED BY: J.S.Y., M.E.
APPROVED BY: -
DATE: 7/25/2018
PROJECT NO. 217250-1-1
REV. IFC 1.0

DRAWING NO. **M-15**
SHT 15 OF 45

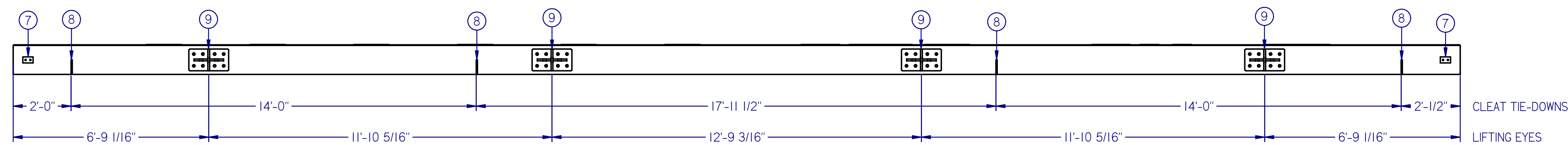


1511 SOUTH HIGHWAY 6, PRICE, UT 84501
PHONE: (435) 637-7160 FAX: (435) 637-9601
8221 EAST 96TH AVE, UNIT A, HENDERSON, CO 80640
PHONE: (720) 409-1000
100 VALLEY DRIVE, SOUTHPOINT, OH 45680
PHONE: (740) 414-4770 FAX: (606) 644-0432
400 SWAN AVENUE, CENTRALIA, IL 62801
PHONE: (618) 214-1063 FAX: (606) 644-0442

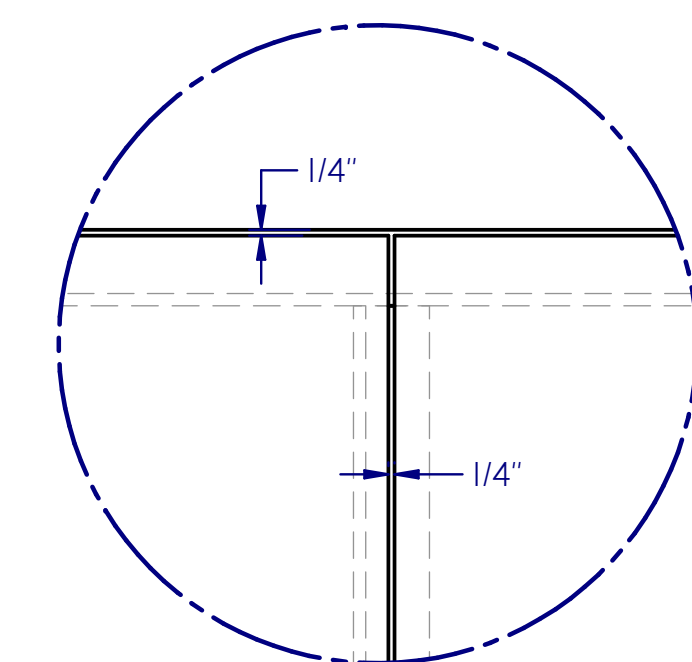


SKID - PLAN VIEW
Complete

SKID PARTS LIST		
Item Number	Quantity	File Name
6	1	217250 FS-A LSR
7	4	NEMA 2-HOLE SS GROUNDING PAD
8	8	CLEAT TIE-DOWN LSR
9	8	12INCH CHANNEL LIFTING EYE
12	1	217250 FS-B LSR
13	1	217250 FS-C LSR
14	1	217250 FS-D LSR
15	1	217250 FS-E LSR
16	1	217250 FS-F LSR
17	1	217250 FS-G LSR
18	1	217250 FS-H LSR
19	1	217250 FS-I LSR
20	1	217250 FS-J LSR
21	1	217250 FS-K LSR
22	1	217250 FS-L LSR
23	1	217250 FS-M LSR
24	17	217250 20IN MCC PULL BOX
25	1	217250 25IN MCC PULL BOX
26	3	217250 20IN MCC PULL BOX CVR LSR
27	1	217250 12X24 PLC ACC. CVR LSR
28	3	217250 6x20 LC ACC. CVR LSR
29	6	217250 12x12 VFD ACC. CVR LSR
30	6	217250 12x12 ENTRY FLASHING
31	3	217250 6x20 ENTRY FLASHING
32	1	217250 12x24 ENTRY FLASHING
33	1	217250 13x16 ENTRY FLASHING
34	1	217250 13x16 ATS ACC. CVR LSR



SECTION A-A



DETAIL B



1511 SOUTH HIGHWAY 6, PRICE, UT 84501
PHONE: (435) 637-7160 FAX: (435) 637-9601

8221 EAST 96TH AVE, UNIT A, HENDERSON, CO 80640
PHONE: (720) 409-1000

100 VALLEY DRIVE, SOUTHPOINT, OH 45680
PHONE: (740) 414-4770 FAX: (606) 644-0432

400 SWAN AVENUE, CENTRALIA, IL 62801
PHONE: (618) 214-1063 FAX: (606) 644-0442

THIS DOCUMENT CONTAINS
CONFIDENTIAL AND/OR
PROPRIETARY INFORMATION.
ANY USE, REVIEW,
RETRANSMISSION,
DISSEMINATION OR OTHER
USE OF, OR PURSUING OF ANY
ACTION IN RELIANCE UPON THIS
INFORMATION IS STRICTLY
PROHIBITED WITHOUT PROPER
AUTHORIZATION FROM
INTERMOUNTAIN ELECTRONICS.

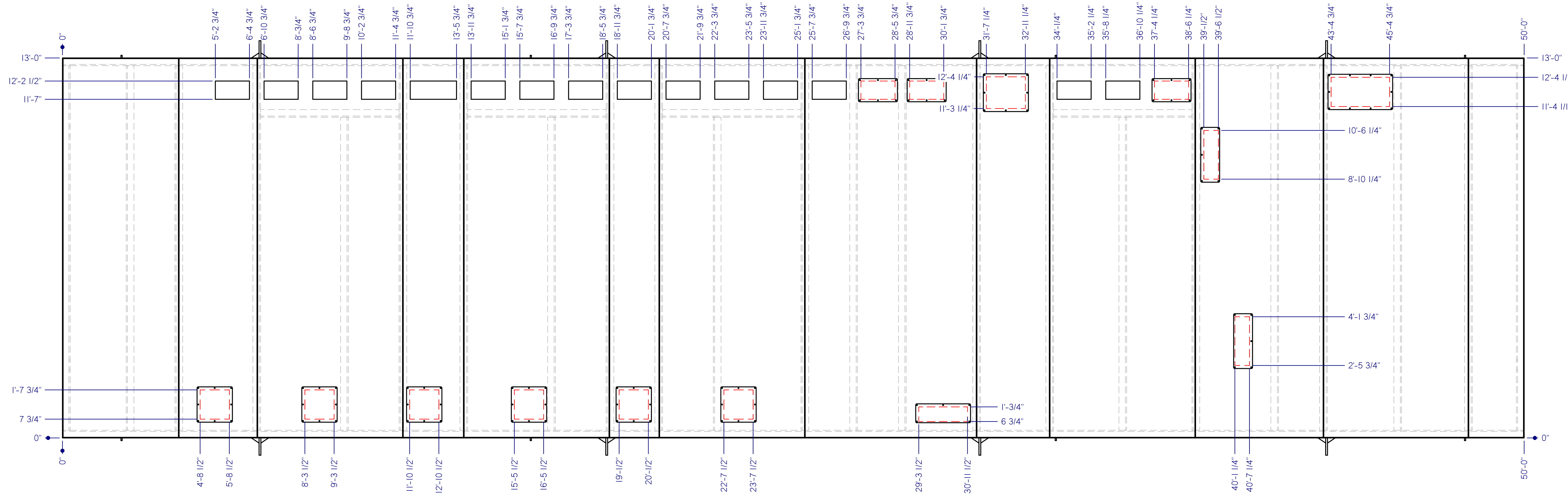
PDC ENERGY
PDC-1000
SKID LAYOUT

REVISIONS

Rev:	Date:	Description:	By:	Approved:
FR 2.0	8/30/2018	ISSUED FOR REVIEW 2.0 - UPDATED PER P. E. L. REDLINES DATED 8/29/2018	WR	JY
FR 3.0	9/4/2018	ISSUED FOR REVIEW 3.0 - UPDATED PER P. E. L. AND ENGINEER REDLINES DATED 8/31/2018	WR	JY
IFC 1.0	9/7/2018	ISSUED FOR CONSTRUCTION	WR	JY
			NA	NA
			NA	NA
			NA	NA
			NA	NA
			NA	NA

DRAWN BY: wrasmussen
ENGINEERED BY: J.S.Y., M.E.
APPROVED BY: -
DATE: 7/25/2018
PROJECT NO. **217250-1-1**
REV. **IFC 1.0**

DRAWING NO. **M-16**
SHT **16** OF **45**



SKID - PLAN VIEW
Floor Openings



■ 1511 SOUTH HIGHWAY 6, PRICE, UT 84501
 PHONE: (435) 637-7160 FAX: (435) 637-9601
 □ 8221 EAST 96TH AVE, UNIT A, HENDERSON, CO 80640
 PHONE: (720) 409-1000
 □ 100 VALLEY DRIVE, SOUTHPOINT, OH 45680
 PHONE: (740) 414-4770 FAX: (606) 644-0432
 □ 400 SWAN AVENUE, CENTRALIA, IL 62801
 PHONE: (618) 214-1063 FAX: (606) 644-0442

THIS DOCUMENT CONTAINS
 CONFIDENTIAL AND/OR
 PROPRIETARY INFORMATION.
 ANY USE, REVIEW,
 RETRANSMISSION,
 DISSEMINATION OR OTHER
 USE OF, OR PURSUING OF ANY
 ACTION IN RELIANCE UPON THIS
 INFORMATION IS STRICTLY
 PROHIBITED WITHOUT PROPER
 AUTHORIZATION FROM
 INTERMOUNTAIN ELECTRONICS.

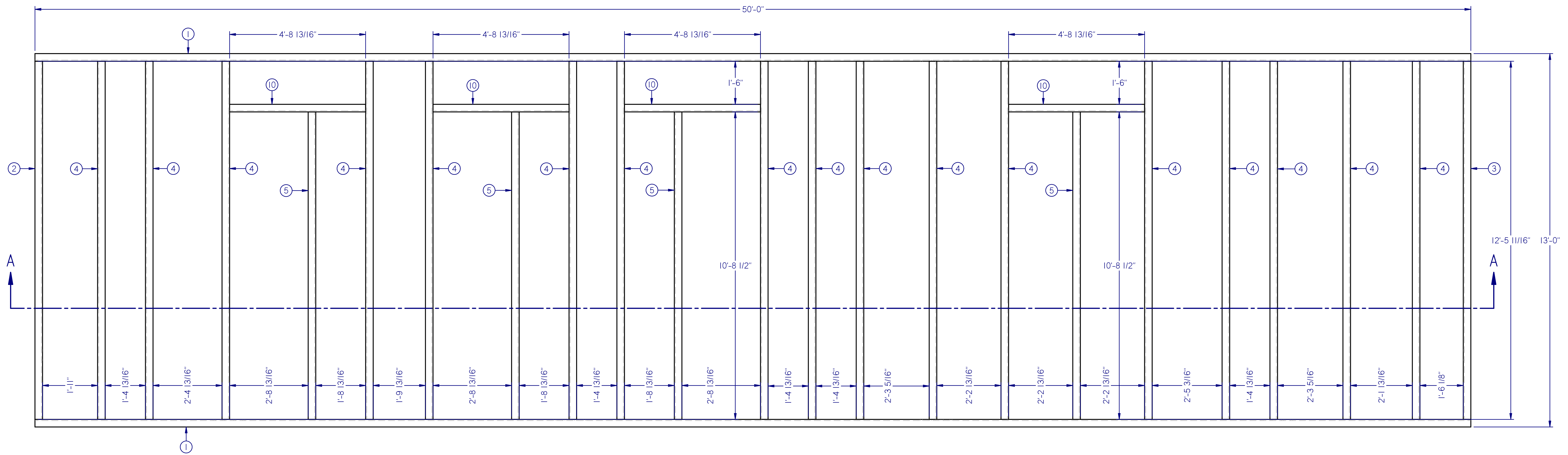
PDC ENERGY
PDC-1000
FLOOR OPENINGS

REVISIONS

Rev:	Date:	Description:	By:	Approved:
FR 2.0	8/30/2018	ISSUED FOR REVIEW 2.0 - UPDATED PER P. E. L. REDLINES DATED 8/29/2018	WR	JY
FR 3.0	9/4/2018	ISSUED FOR REVIEW 3.0 - UPDATED PER P. E. L. AND ENGINEER REDLINES DATED 8/31/2018	WR	JY
IFC 1.0	9/7/2018	ISSUED FOR CONSTRUCTION	WR	JY
			NA	NA
			NA	NA
			NA	NA
			NA	NA

DRAWN BY: wrasmussen
 ENGINEERED BY: J.S.Y., M.E.
 APPROVED BY: _____
 DATE: 7/25/2018
 PROJECT NO. 217250-1-1
 REV. IFC 1.0

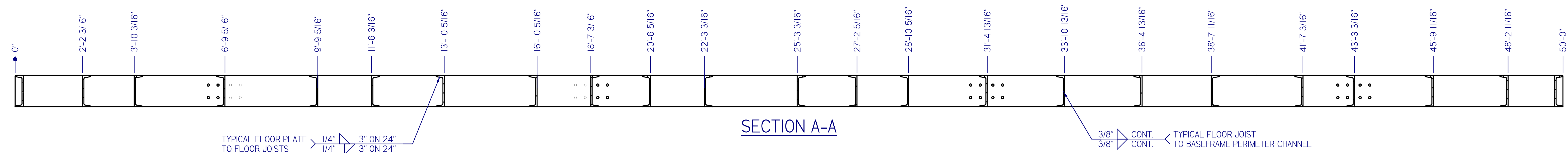
DRAWING NO. M-17
 SHT 17 OF 45



SKID - PLAN VIEW
Frame Only

SKID CUT LIST DETAILS ON SHEET M-19

SKID CUT LIST		
Item Number	Quantity	File Name
1	2	Section_ASTM_A36_2008_in_C_12x30.00_v12.00
2	1	Section_ASTM_A36_2008_in_C_12x30.00_v12.00_1
3	1	Section_ASTM_A36_2008_in_C_12x30.00_v12.00_2
4	17	Section_ASTM_A36_2008_in_C_12x30.00_v12.00_3
5	4	Section_ASTM_A36_2008_in_C_12x30.00_v12.00_4
10	4	Section_ASTM_A36_2008_in_C_12x30.00_v12.00_5



SECTION A-A



1511 SOUTH HIGHWAY 6, PRICE, UT 84501
PHONE: (435) 637-7160 FAX: (435) 637-9601

8221 EAST 96TH AVE, UNIT A, HENDERSON, CO 80640
PHONE: (720) 409-1000

100 VALLEY DRIVE, SOUTHPOINT, OH 45680
PHONE: (740) 414-4770 FAX: (606) 644-0432

400 SWAN AVENUE, CENTRALIA, IL 62801
PHONE: (618) 214-1063 FAX: (606) 644-0442

THIS DOCUMENT CONTAINS CONFIDENTIAL AND/OR PROPRIETARY INFORMATION. ANY USE, REVIEW, RETRANSMISSION, DISSEMINATION OR OTHER USE OF, OR PURSUING OF ANY ACTION IN RELIANCE UPON THIS INFORMATION IS STRICTLY PROHIBITED WITHOUT PROPER AUTHORIZATION FROM INTERMOUNTAIN ELECTRONICS.

PDC ENERGY
PDC-1000
SKID CUT LIST

REVISIONS

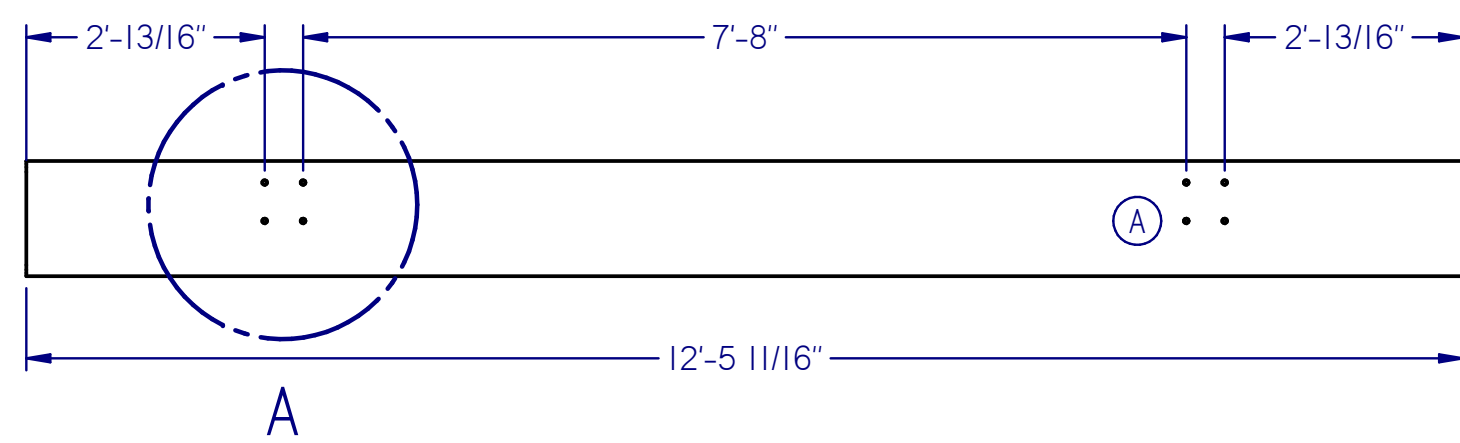
Rev.	Date	Description	By:	Approved:
FR 2.0	8/30/2018	ISSUED FOR REVIEW 2.0 - UPDATED PER P. E. L. REDLINES DATED 8/29/2018	WR	JY
FR 3.0	9/4/2018	ISSUED FOR REVIEW 3.0 - UPDATED PER P. E. L. AND ENGINEER REDLINES DATED 8/31/2018	WR	JY
FC 1.0	9/7/2018	ISSUED FOR CONSTRUCTION	WR	JY
			NA	NA
			NA	NA
			NA	NA
			NA	NA

DRAWN BY: wrasmussen
ENGINEERED BY: J.S.Y., M.E.
APPROVED BY: _____
DATE: 7/25/2018
PROJECT NO. 217250-1-1 REV. IFC 1.0

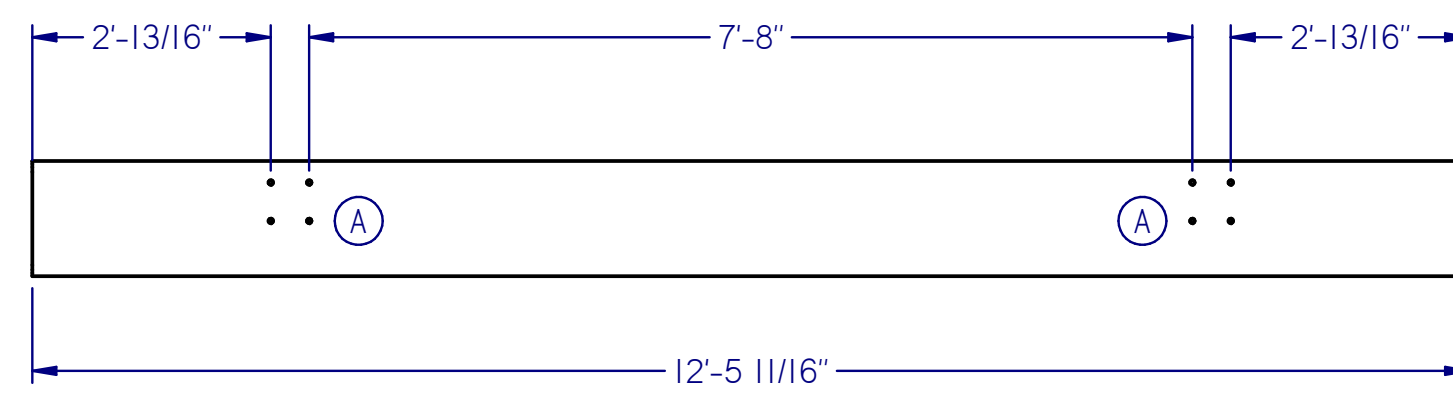
DRAWING NO.

M-18

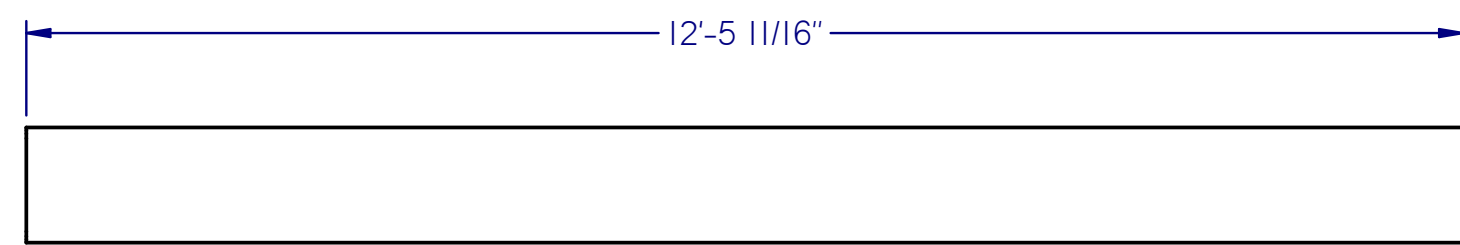
SHT 18 OF 45



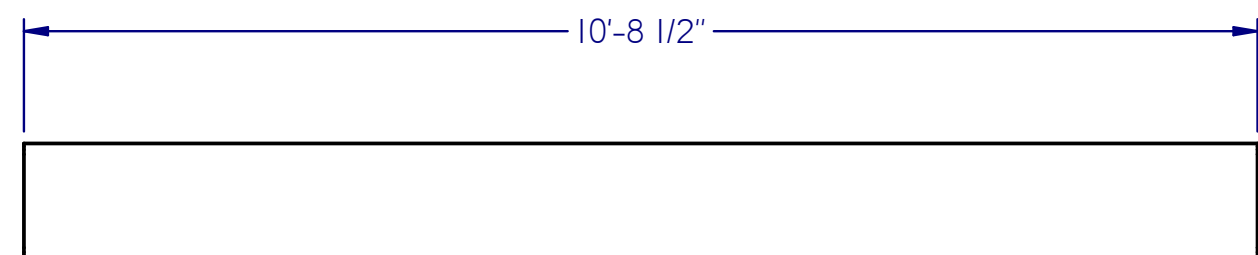
Section_ASTM_A36_2008_in_C_12x30.00_v12.00_1
Item #2 - 2 Each



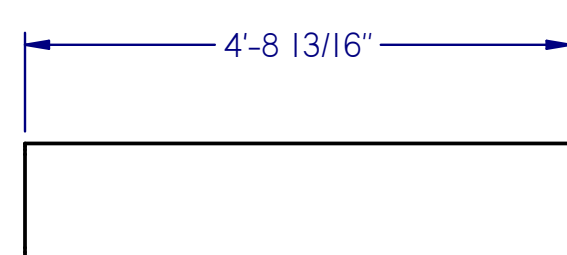
Section_ASTM_A36_2008_in_C_12x30.00_v12.00_2
Item #3 - 1 Each



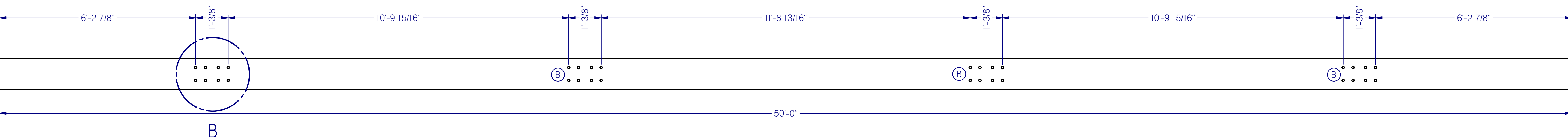
Section_ASTM_A36_2008_in_C_12x30.00_v12.00_3
Item #4 - 17 Each



Section_ASTM_A36_2008_in_C_12x30.00_v12.00_4
Item #5 - 4 Each

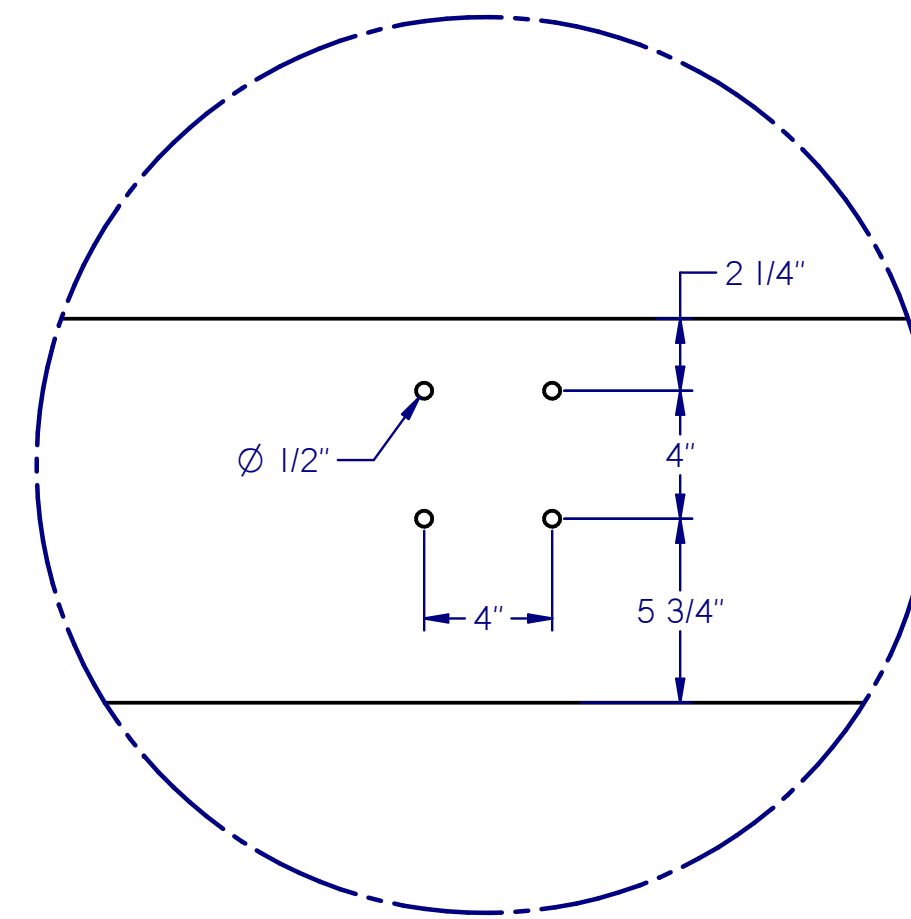


Section_ASTM_A36_2008_in_C_12x30.00_v12.00_5
Item #10 - 4 Each



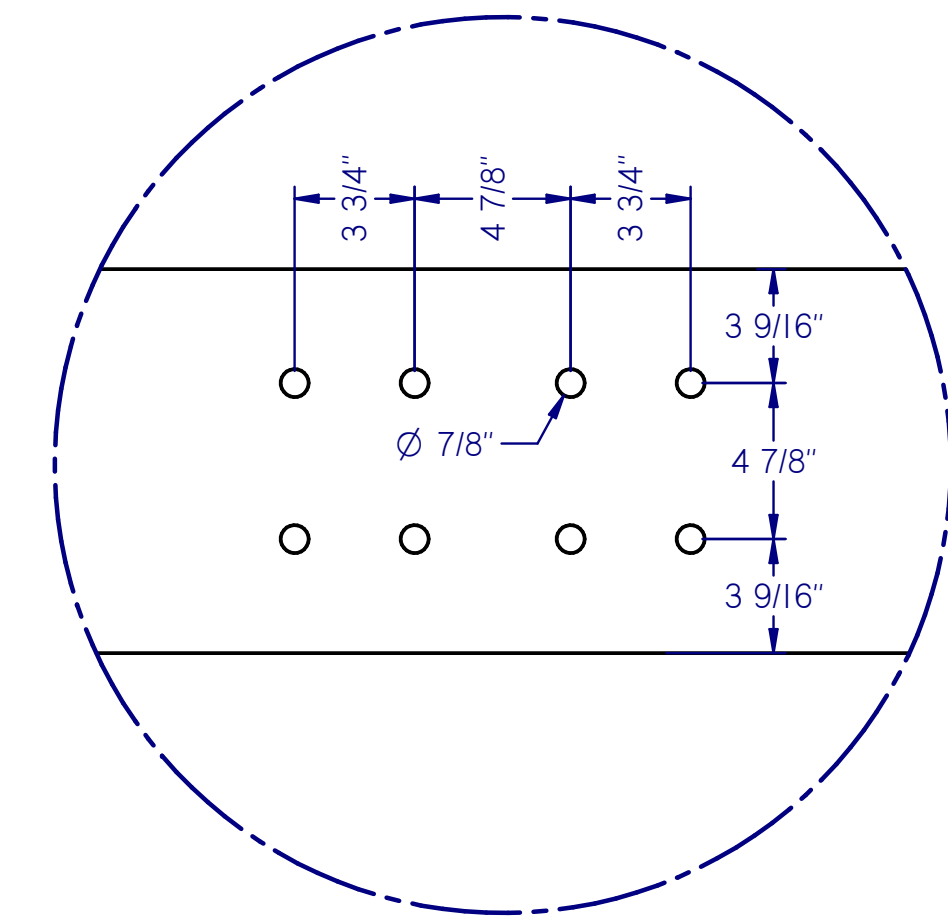
Section_ASTM_A36_2008_in_C_12x30.00_v12.00
Item #1 - 2 Each

SKID CUT LIST		
Item Number	Quantity	File Name
1	2	Section_ASTM_A36_2008_in_C_12x30.00_v12.00
2	1	Section_ASTM_A36_2008_in_C_12x30.00_v12.00_1
3	1	Section_ASTM_A36_2008_in_C_12x30.00_v12.00_2
4	17	Section_ASTM_A36_2008_in_C_12x30.00_v12.00_3
5	4	Section_ASTM_A36_2008_in_C_12x30.00_v12.00_4
10	4	Section_ASTM_A36_2008_in_C_12x30.00_v12.00_5



DETAIL A

NOTE:
WELD 1/2"-13 SAE J995
GRADE 8 HEX NUTS TO
BACKSIDE OF CHANNEL.



DETAIL B

NOTE:
WELD 7/8"-9 SAE J995
GRADE 8 HEX NUTS TO
BACKSIDE OF CHANNEL.



THE ACCOMPANYING PROFESSIONAL ENGINEER'S SEAL APPLIES TO THE STRUCTURAL ELEMENTS ONLY



1511 SOUTH HIGHWAY 6, PRICE, UT 84501
PHONE: (435) 637-7160 FAX: (435) 637-9601
8221 EAST 96TH AVE, UNIT A, HENDERSON, CO 80640
PHONE: (720) 409-1000
100 VALLEY DRIVE, SOUTHPOINT, OH 45680
PHONE: (740) 414-4770 FAX: (606) 644-0432
400 SWAN AVENUE, CENTRALIA, IL 62801
PHONE: (618) 214-1063 FAX: (606) 644-0442

THIS DOCUMENT CONTAINS CONFIDENTIAL AND/OR PROPRIETARY INFORMATION. ANY USE, REVIEW, RETRANSMISSION, DISSEMINATION OR OTHER USE OF, OR PURSUING OF ANY ACTION IN RELIANCE UPON THIS INFORMATION IS STRICTLY PROHIBITED WITHOUT PROPER AUTHORIZATION FROM INTERMOUNTAIN ELECTRONICS.

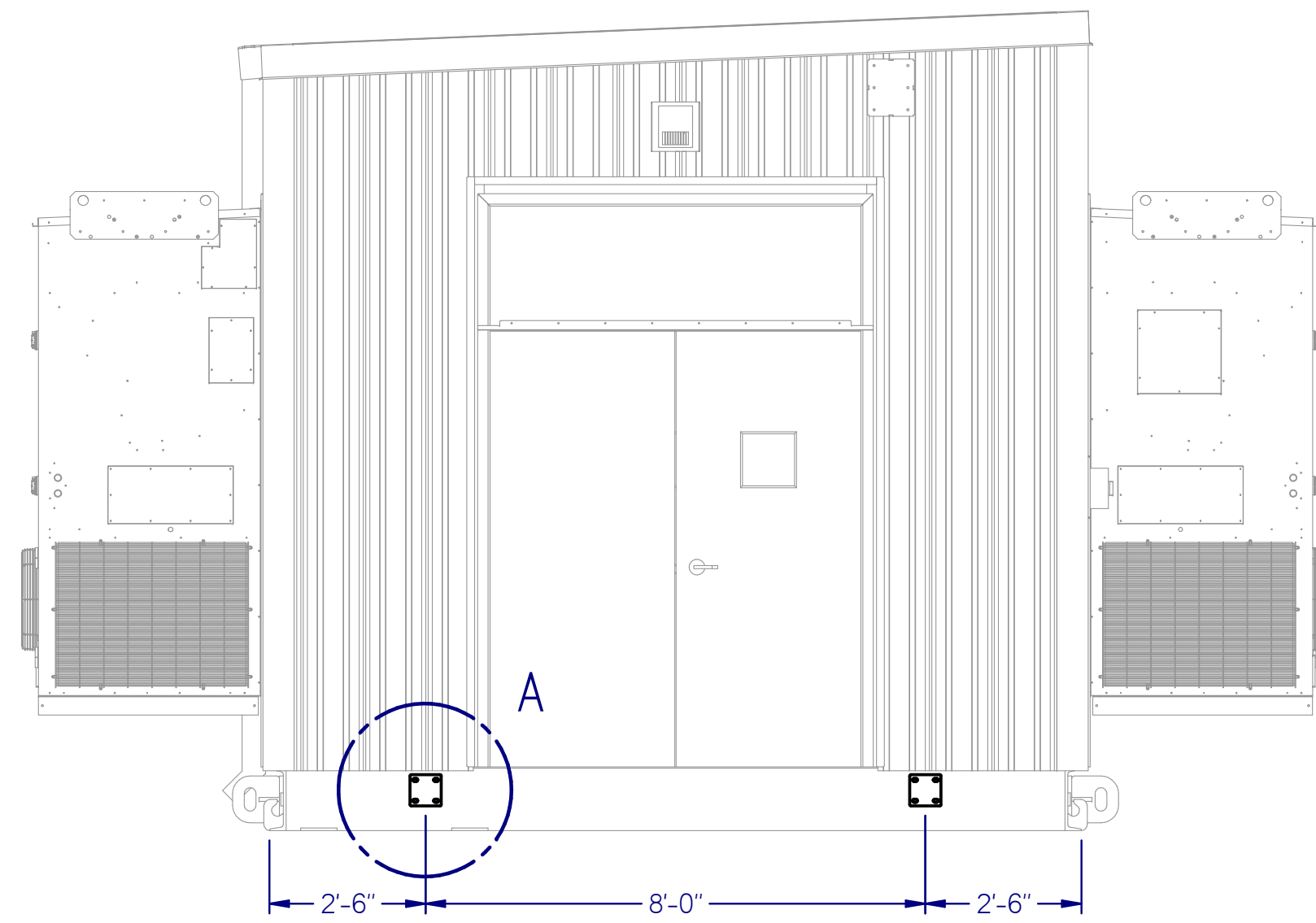
PDC ENERGY
PDC-1000
SKID CUT LIST DETAILS

REVISIONS

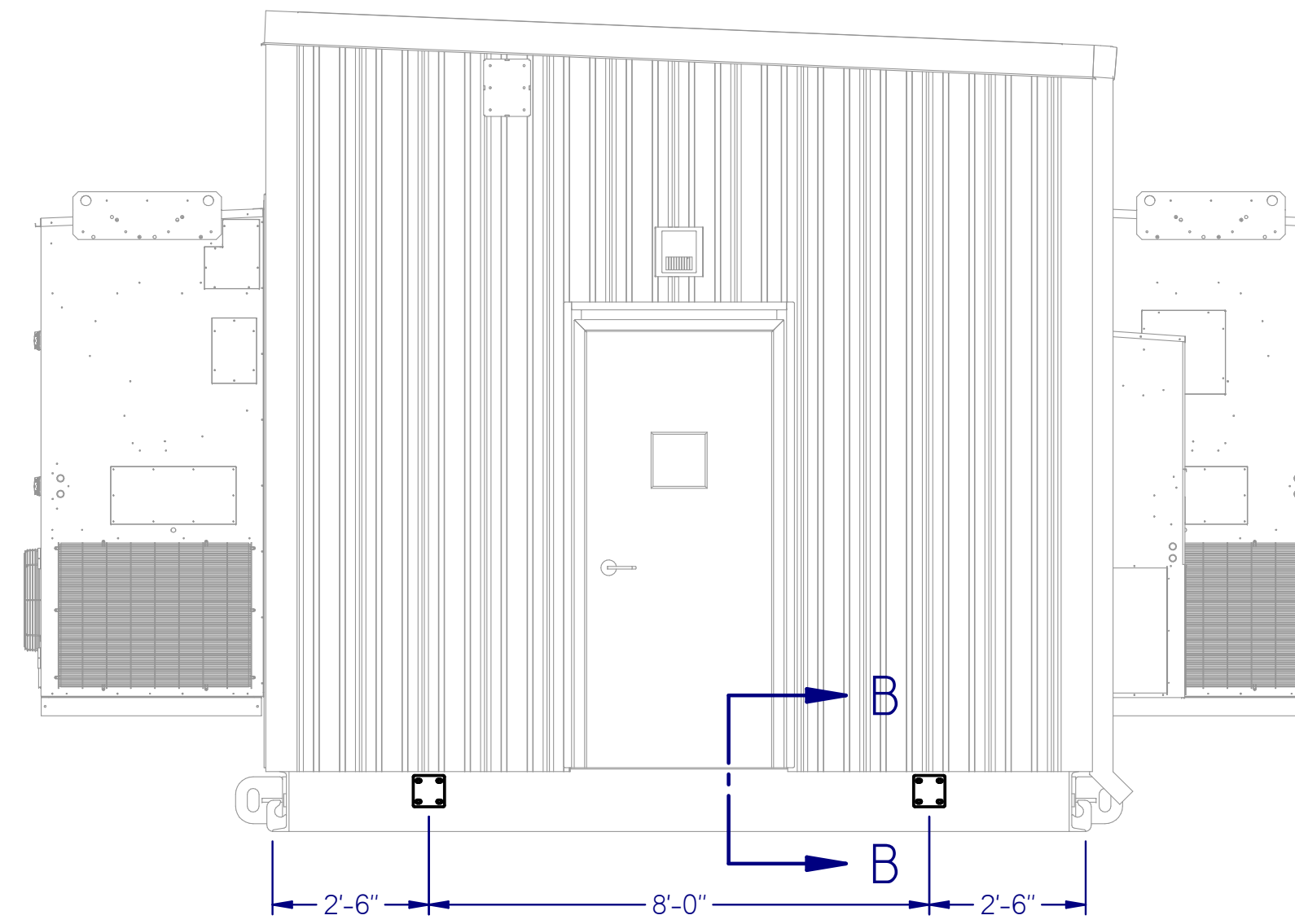
Rev:	Date:	Description:	By:	Approved:
FR 2.0	8/30/2018	ISSUED FOR REVIEW 2.0 - UPDATED PER P. E. L. REDLINES DATED 8/29/2018	WR	JY
FR 3.0	9/4/2018	ISSUED FOR REVIEW 3.0 - UPDATED PER P. E. L. AND ENGINEER REDLINES DATED 8/31/2018	WR	JY
IFC 1.0	9/7/2018	ISSUED FOR CONSTRUCTION	WR	JY
			NA	NA
			NA	NA
			NA	NA
			NA	NA

DRAWN BY: wrasmussen
ENGINEERED BY: J.S.Y., M.E.
APPROVED BY: -
DATE: 7/25/2018
PROJECT NO. 217250-1-1
REV. IFC 1.0

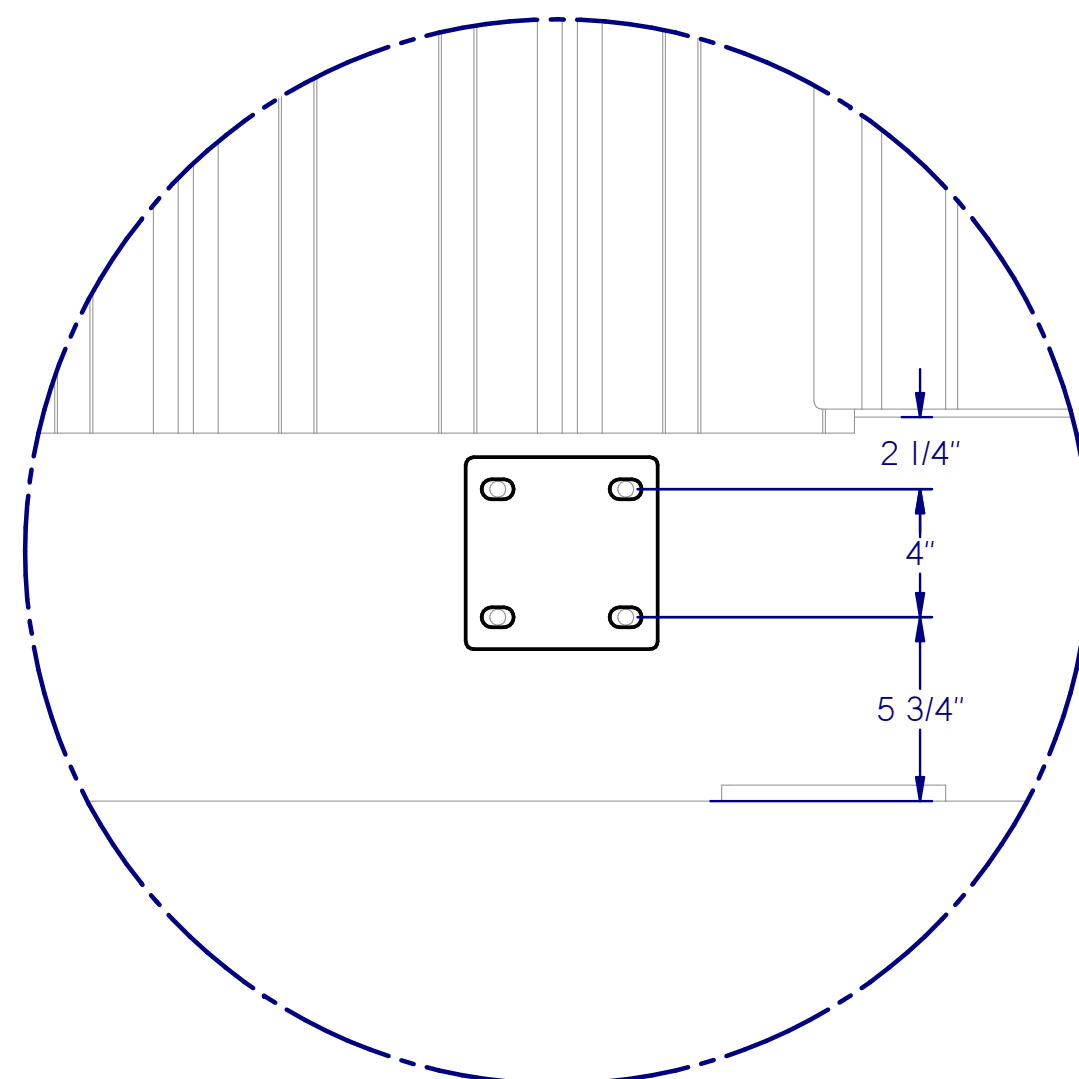
DRAWING NO. **M-19**
SHT 19 OF 45



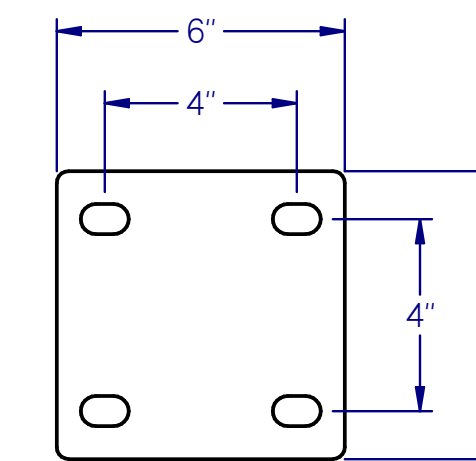
BUILDING - LEFT VIEW
6' x 12' LS Platform Connection Plates



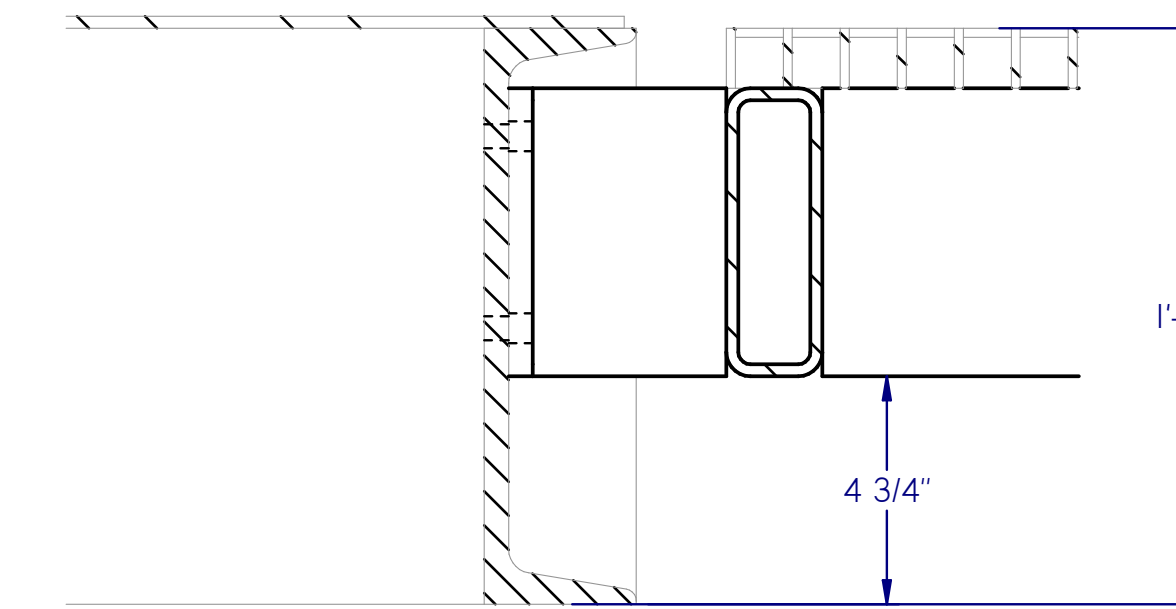
BUILDING - RIGHT VIEW
6' x 12' RS Platform Connection Plates



DETAIL A



217250 PLATFORM BP LSR
4 Each / 0.5000 in



SECTION B-B
TYPICAL PLATFORM CONNECTION
TO SKID



1511 SOUTH HIGHWAY 6, PRICE, UT 84501
PHONE: (435) 637-7160 FAX: (435) 637-9601
8221 EAST 96TH AVE, UNIT A, HENDERSON, CO 80640
PHONE: (720) 409-1000
100 VALLEY DRIVE, SOUTHPOINT, OH 45680
PHONE: (740) 414-4770 FAX: (606) 644-0432
400 SWAN AVENUE, CENTRALIA, IL 62801
PHONE: (618) 214-1063 FAX: (606) 644-0442

THIS DOCUMENT CONTAINS
CONFIDENTIAL AND/OR
PROPRIETARY INFORMATION.
ANY USE, REVIEW,
RETRANSMISSION,
DISSEMINATION OR OTHER
USE OF, OR PURSUING OF ANY
ACTION IN RELIANCE UPON THIS
INFORMATION IS STRICTLY
PROHIBITED WITHOUT PROPER
AUTHORIZATION FROM
INTERMOUNTAIN ELECTRONICS.

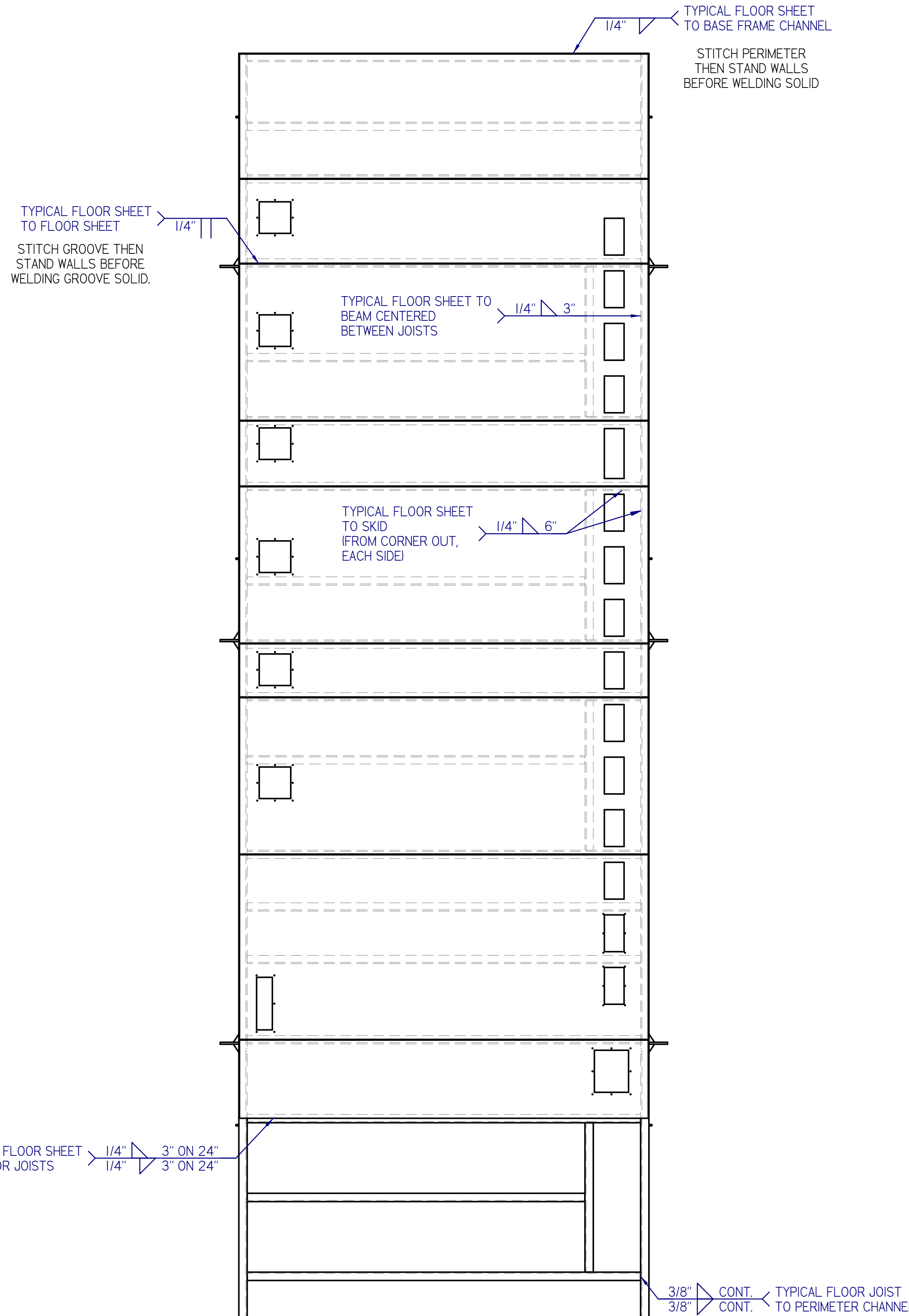
PDC ENERGY
PDC-1000
PLATFORM CONNECTION PLATES

REVISIONS

Rev:	Date:	Description:	By:	Approved:
FR 2.0	8/30/2018	ISSUED FOR REVIEW 2.0 - UPDATED PER P. E. L. REDLINES DATED 8/29/2018	WR	JY
FR 3.0	9/4/2018	ISSUED FOR REVIEW 3.0 - UPDATED PER P. E. L. AND ENGINEER REDLINES DATED 8/31/2018	WR	JY
IFC 1.0	9/7/2018	ISSUED FOR CONSTRUCTION	WR	JY
			NA	NA
			NA	NA
			NA	NA
			NA	NA

DRAWN BY: wrasmussen
ENGINEERED BY: J.S.Y., M.E.
APPROVED BY: -
DATE: 7/25/2018
PROJECT NO. 217250-1-1
REV. IFC 1.0

DRAWING NO. M-20
SHT 20 OF 45

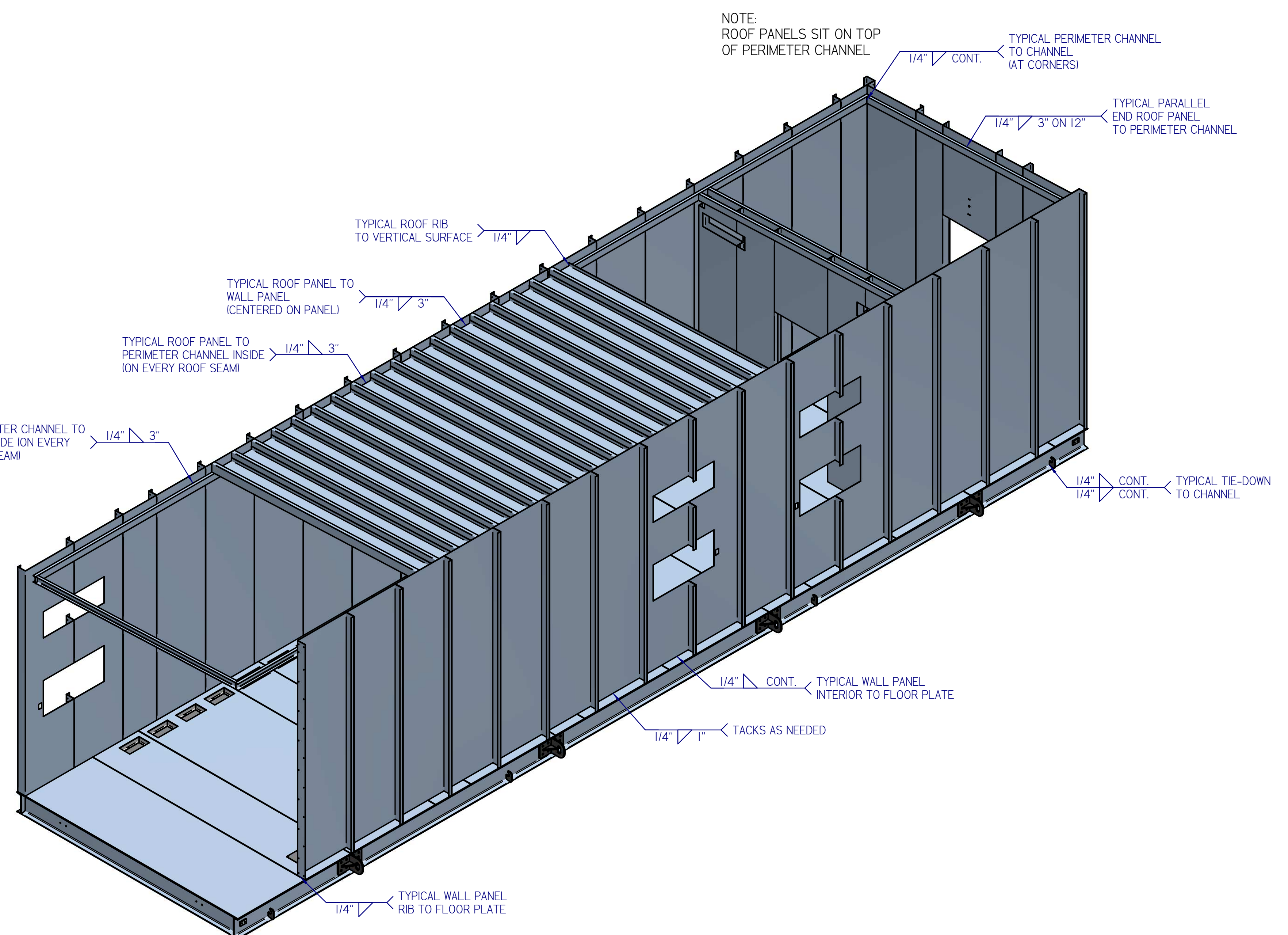


WELD DETAILS

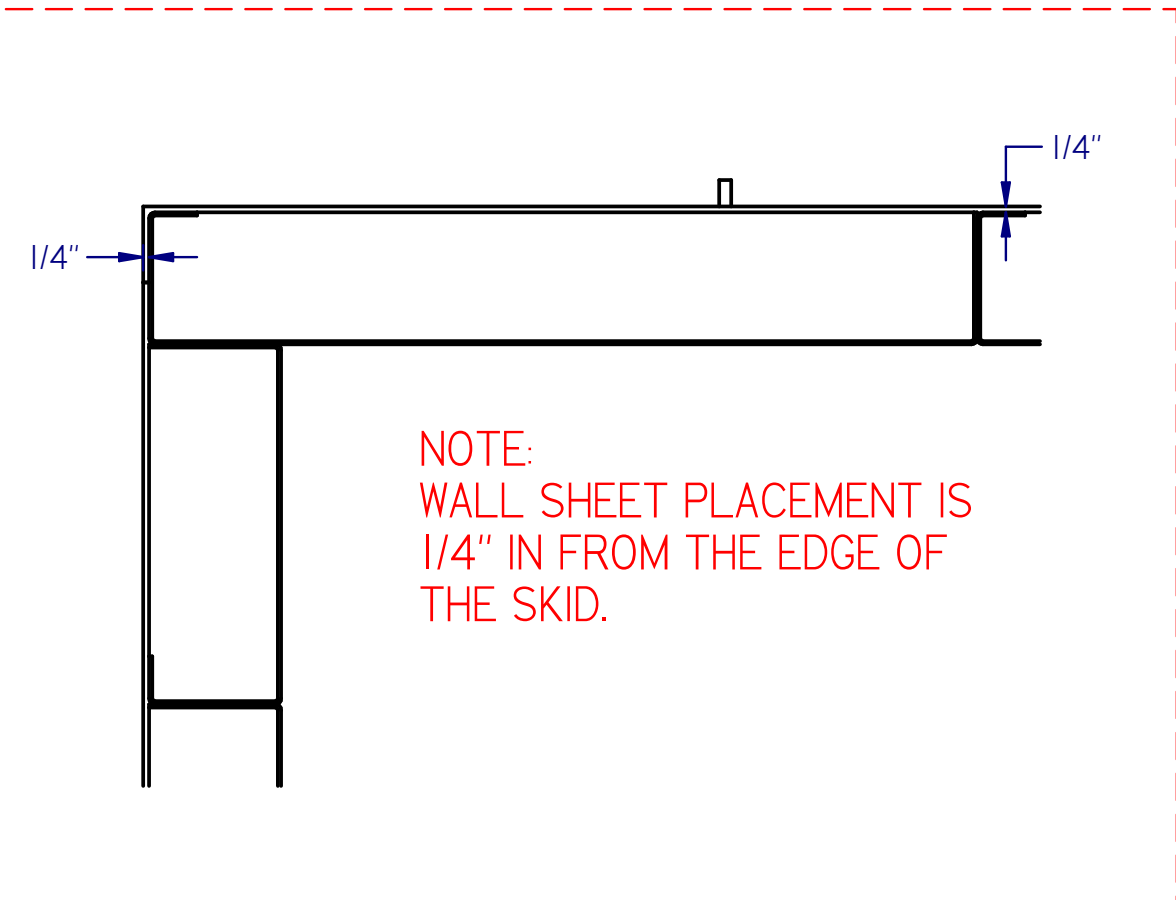
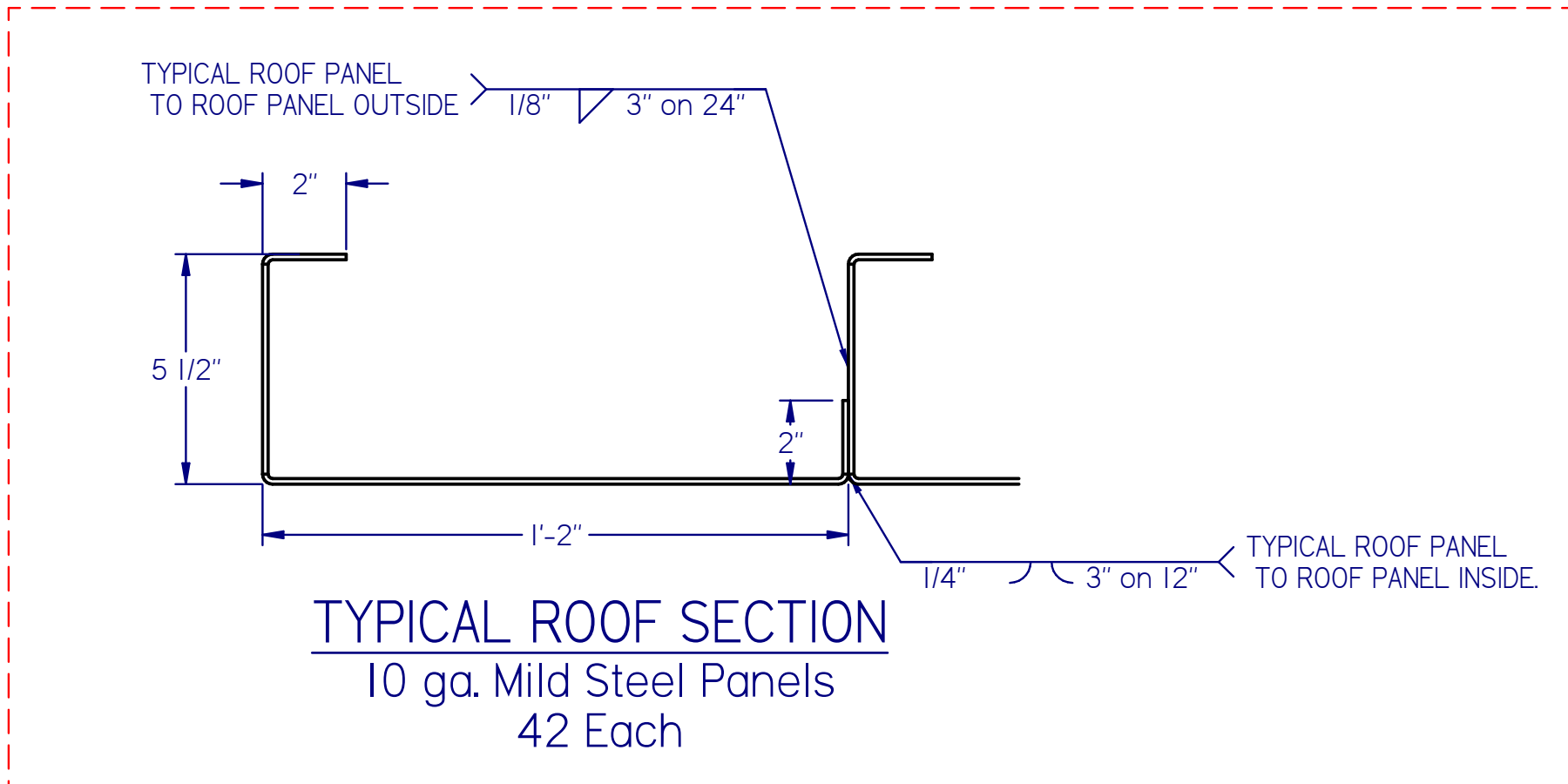


Wright Engineers
Firm #: 14071
09/11/2018

THE ACCOMPANYING PROFESSIONAL ENGINEER'S SEAL APPLIES TO THE STRUCTURAL ELEMENTS ONLY



NOTE: ROOF PANELS SIT ON TOP OF PERIMETER CHANNEL



1511 SOUTH HIGHWAY 6, PRICE, UT 84501
PHONE: (435) 637-7160 FAX: (435) 637-9601

8221 EAST 96TH AVE, UNIT A, HENDERSON, CO 80640
PHONE: (720) 409-1000

100 VALLEY DRIVE, SOUTHPOINT, OH 45680
PHONE: (740) 414-4770 FAX: (606) 644-0432

400 SWAN AVENUE, CENTRALIA, IL 62801
PHONE: (618) 214-1063 FAX: (606) 644-0442

THIS DOCUMENT CONTAINS CONFIDENTIAL AND/OR PROPRIETARY INFORMATION. ANY USE, REVIEW, RETRANSMISSION, DISSEMINATION OR OTHER USE OF, OR PURSUING OF ANY ACTION IN RELIANCE UPON THIS INFORMATION IS STRICTLY PROHIBITED WITHOUT PROPER AUTHORIZATION FROM INTERMOUNTAIN ELECTRONICS.

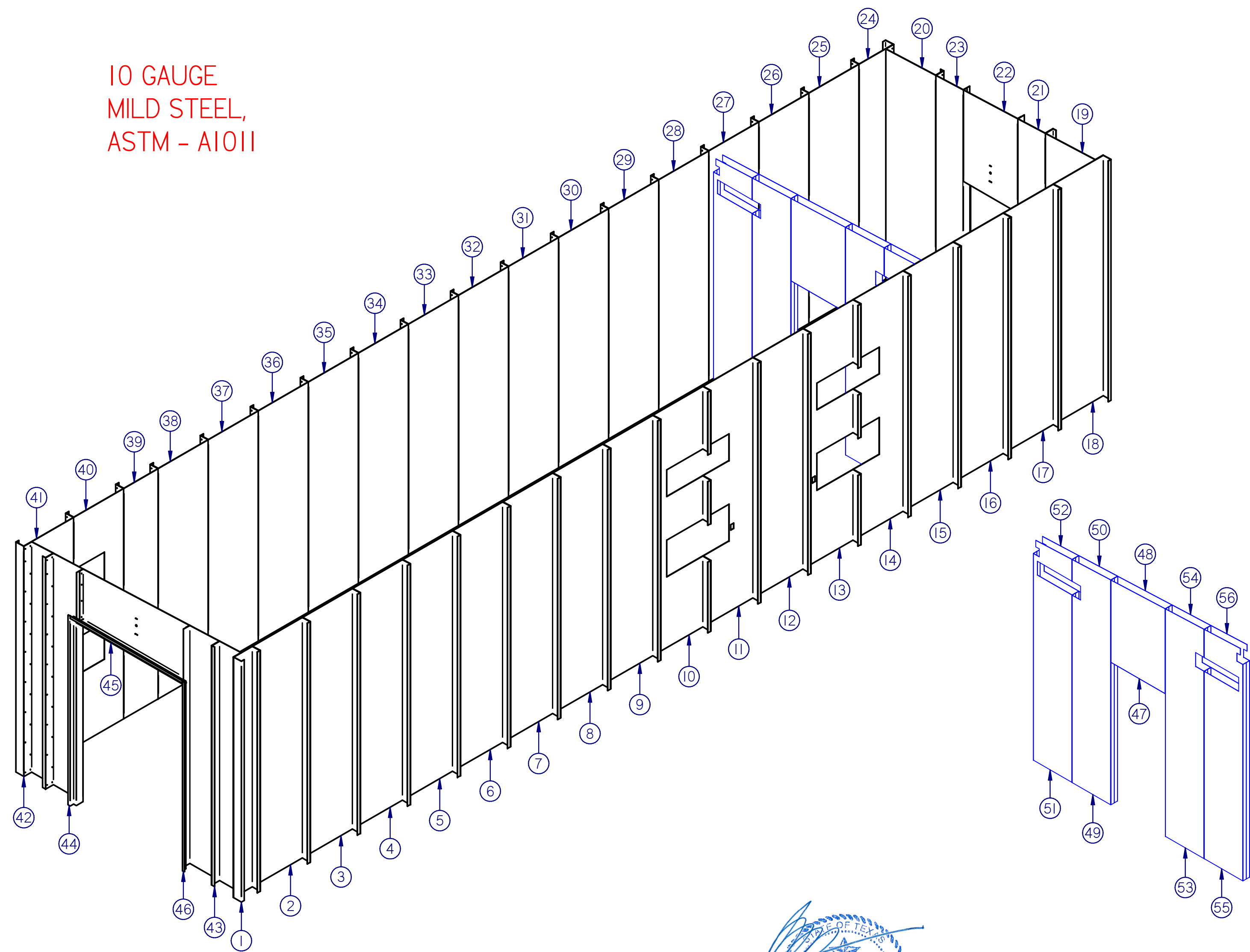
PDC ENERGY
PDC-1000
WELD DETAILS

REVISIONS					
Rev:	Date:	Description:	By:	Approved:	
FR 2.0	8/30/2018	ISSUED FOR REVIEW 2.0 - UPDATED PER P. E. L. REDLINES DATED 8/29/2018	WR	JY	
FR 3.0	9/4/2018	ISSUED FOR REVIEW 3.0 - UPDATED PER P. E. L. AND ENGINEER REDLINES DATED 8/31/2018	WR	JY	
IFC 1.0	9/7/2018	ISSUED FOR CONSTRUCTION	WR	JY	
			NA	NA	
			NA	NA	
			NA	NA	
			NA	NA	

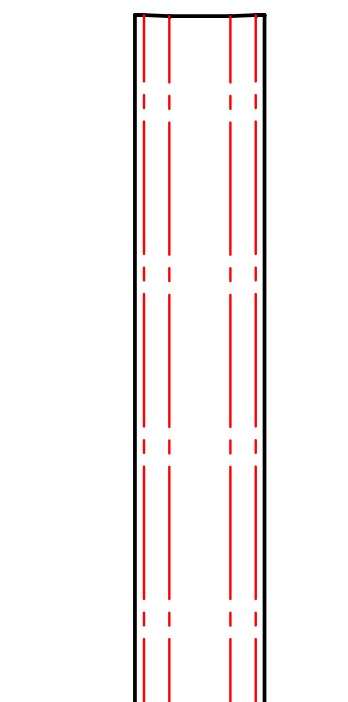
DRAWN BY: wrasmussen
ENGINEERED BY: J.S.Y., M.E.
APPROVED BY: -
DATE: 7/25/2018
PROJECT NO. 217250-1-1
REV. IFC 1.0

DRAWING NO. **M-21**
SHT **21** OF **45**

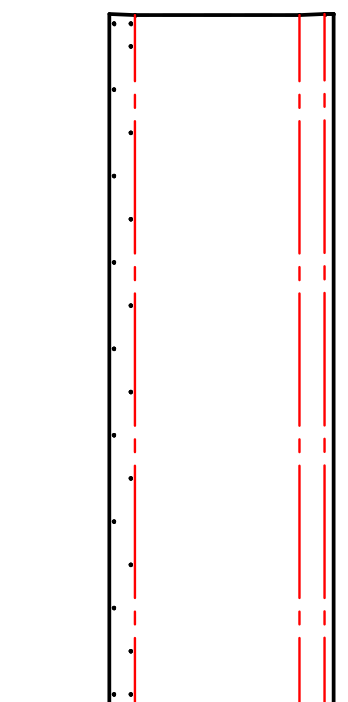
10 GAUGE
MILD STEEL,
ASTM - A1011



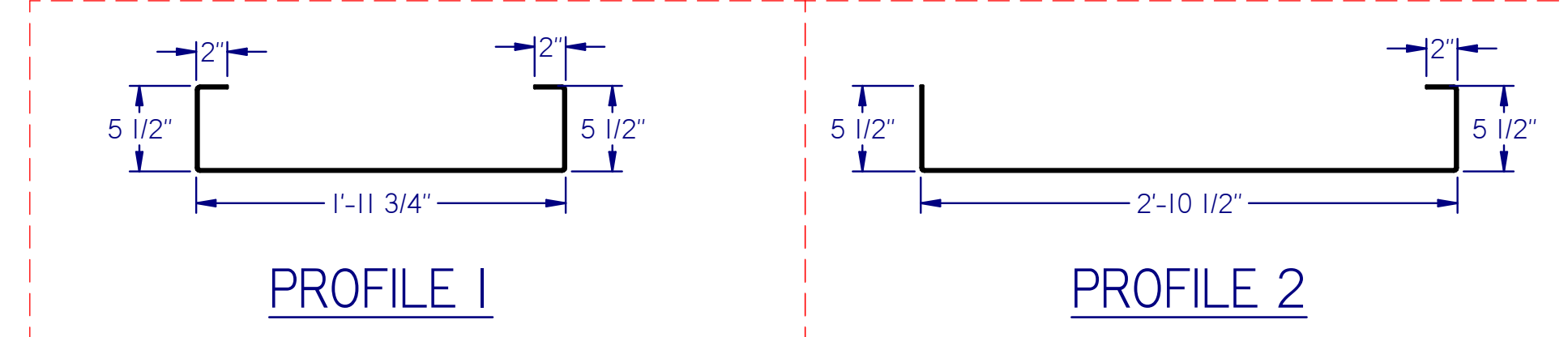
WALL SHEET LAYOUT			WALL SHEET LAYOUT		
Item Number	Quantity	File Name	Item Number	Quantity	File Name
1	1	217250 WS-100 LSR	29	1	217250 WS-305 LSR
2	1	217250 WS-101 LSR	30	1	217250 WS-306 LSR
3	1	217250 WS-102 LSR	31	1	217250 WS-307 LSR
4	1	217250 WS-103 LSR	32	1	217250 WS-308 LSR
5	1	217250 WS-104 LSR	33	1	217250 WS-309 LSR
6	1	217250 WS-105 LSR	34	1	217250 WS-310 LSR
7	1	217250 WS-106 LSR	35	1	217250 WS-311 LSR
8	1	217250 WS-107 LSR	36	1	217250 WS-312 LSR
9	1	217250 WS-108 LSR	37	1	217250 WS-313 LSR
10	1	217250 WS-109 LSR	38	1	217250 WS-314 LSR
11	1	217250 WS-110 LSR	39	1	217250 WS-315 LSR
12	1	217250 WS-111 LSR	40	1	217250 WS-316 LSR
13	1	217250 WS-112 LSR	41	1	217250 WS-317 LSR
14	1	217250 WS-113 LSR	42	1	217250 WS-400 LSR
15	1	217250 WS-114 LSR	43	1	217250 WS-401 LSR
16	1	217250 WS-115 LSR	44	1	217250 6070 DOOR W-TRANSOM LDF LSR
17	1	217250 WS-116 LSR	45	1	217250 6070 DOOR W-TRANSOM HDR LSR
18	1	217250 WS-117 LSR	46	1	217250 6070 DOOR W-TRANSOM RDF LSR
19	1	217250 WS-200 LSR	47	1	217250 WS-INT-E LSR
20	1	217250 WS-201 LSR	48	1	217250 WS-INT-F LSR
21	1	217250 3070 DOOR LDF LSR	49	1	217250 WS-INT-G LSR
22	1	217250 3070 DOOR HDR LSR	50	1	217250 WS-INT-H LSR
23	1	217250 3070 DOOR RDF LSR	51	1	217250 WS-INT-A LSR
24	1	217250 WS-300 LSR	52	1	217250 WS-INT-B LSR
25	1	217250 WS-301 LSR	53	1	217250 WS-INT-I LSR
26	1	217250 WS-302 LSR	54	1	217250 WS-INT-J LSR
27	1	217250 WS-303 LSR	55	1	217250 WS-INT-M LSR
28	1	217250 WS-304 LSR	56	1	217250 WS-INT-N LSR



217250 WS-100 LSR
1 Each / 0.1345 in
Side Bends: 2" & 5.5"
Out of Page
See Profile 1



217250 WS-101 LSR
1 Each / 0.1345 in
Left Bend: 5.5" Out of Page
Right Bends: 2" & 5.5"
Out of Page
See Profile 2



Leo Brent Wright
84275
LICENSED PROFESSIONAL ENGINEER
State of Illinois
Wright Engineers
Firm #: 14071
09/11/2018

217250 WS-102 LSR 1 Each / 0.1345 in Left Bend: 5.5" Out of Page Right Bends: 2" & 5.5" Out of Page See Profile 2	217250 WS-103 LSR 1 Each / 0.1345 in Left Bend: 5.5" Out of Page Right Bends: 2" & 5.5" Out of Page See Profile 2	217250 WS-104 LSR 1 Each / 0.1345 in Left Bend: 5.5" Out of Page Right Bends: 2" & 5.5" Out of Page See Profile 2	217250 WS-105 LSR 1 Each / 0.1345 in Left Bend: 5.5" Out of Page Right Bends: 2" & 5.5" Out of Page See Profile 2	217250 WS-106 LSR 1 Each / 0.1345 in Left Bend: 5.5" Out of Page Right Bends: 2" & 5.5" Out of Page See Profile 2	217250 WS-107 LSR 1 Each / 0.1345 in Left Bend: 5.5" Out of Page Right Bends: 2" & 5.5" Out of Page See Profile 2	217250 WS-108 LSR 1 Each / 0.1345 in Left Bend: 5.5" Out of Page Right Bends: 2" & 5.5" Out of Page See Profile 2	217250 WS-109 LSR 1 Each / 0.1345 in Left Bend: 5.5" Out of Page Right Bends: 2" & 5.5" Out of Page See Profile 2	217250 WS-110 LSR 1 Each / 0.1345 in Left Bend: 5.5" Out of Page Right Bends: 2" & 5.5" Out of Page See Profile 2	217250 WS-111 LSR 1 Each / 0.1345 in Left Bend: 5.5" Out of Page Right Bends: 2" & 5.5" Out of Page See Profile 2	217250 WS-112 LSR 1 Each / 0.1345 in Left Bend: 5.5" Out of Page Right Bends: 2" & 5.5" Out of Page See Profile 2	217250 WS-113 LSR 1 Each / 0.1345 in Left Bend: 5.5" Out of Page Right Bends: 2" & 5.5" Out of Page See Profile 2	217250 WS-114 LSR 1 Each / 0.1345 in Left Bend: 5.5" Out of Page Right Bends: 2" & 5.5" Out of Page See Profile 2

1511 SOUTH HIGHWAY 6, PRICE, UT 84501
PHONE: (435) 637-7160 FAX: (435) 637-9601

8221 EAST 96TH AVE, UNIT A, HENDERSON, CO 80640
PHONE: (720) 409-1000

100 VALLEY DRIVE, SOUTHPOINT, OH 45680
PHONE: (740) 414-4770 FAX: (606) 644-0432

400 SWAN AVENUE, CENTRALIA, IL 62801
PHONE: (618) 214-1063 FAX: (606) 644-0442

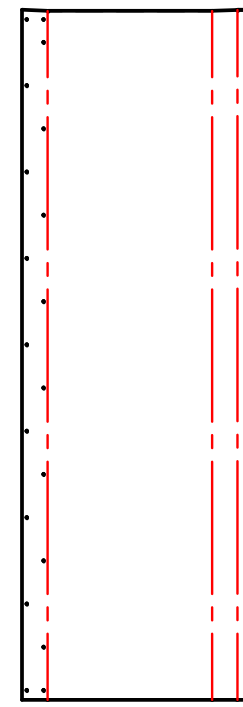
THIS DOCUMENT CONTAINS CONFIDENTIAL AND/OR PROPRIETARY INFORMATION. ANY USE, REVIEW, RETRANSMISSION, DISSEMINATION OR OTHER USE OF, OR PURSUING OF ANY ACTION IN RELIANCE UPON THIS INFORMATION IS STRICTLY PROHIBITED WITHOUT PROPER AUTHORIZATION FROM INTERMOUNTAIN ELECTRONICS.

PDC ENERGY
PDC-1000
BEND INFORMATION

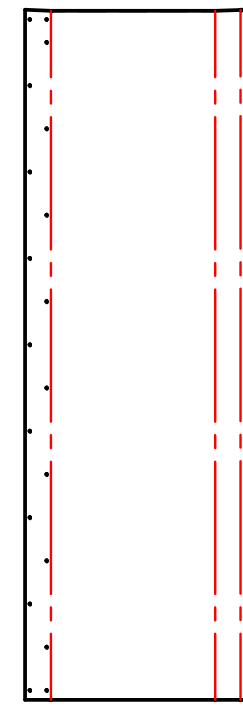
REVISIONS			
Rev:	Date:	Description:	By: / Approved:
FR 2.0	8/30/2018	ISSUED FOR REVIEW 2.0 - UPDATED PER P. E. L. REDLINES DATED 8/29/2018	WR / JY
FR 3.0	9/4/2018	ISSUED FOR REVIEW 3.0 - UPDATED PER P. E. L. AND ENGINEER REDLINES DATED 8/31/2018	WR / JY
IFC 1.0	9/7/2018	ISSUED FOR CONSTRUCTION	NA / NA
			NA / NA
			NA / NA
			NA / NA

DRAWN BY: wrasmussen
ENGINEERED BY: J.S.Y., M.E.
APPROVED BY: _____
DATE: 7/25/2018
PROJECT NO. 217250-1-1
REV. IFC 1.0

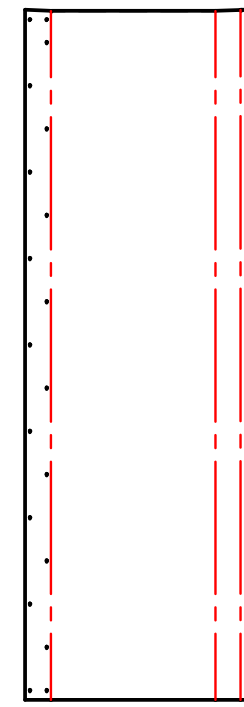
DRAWING NO. M-22
SHT 22 OF 45



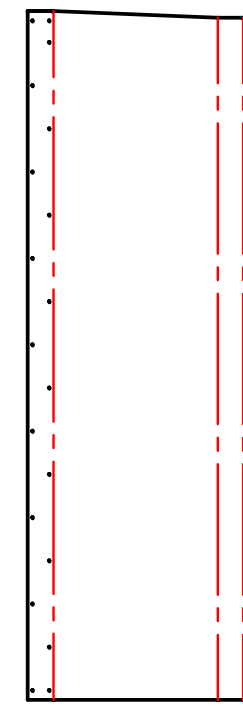
217250 WS-115 LSR
1 Each / 0.1345 in
Left Bend: 5.5" Out of Page
Right Bends: 2" & 5.5"
Out of Page
See Profile 2



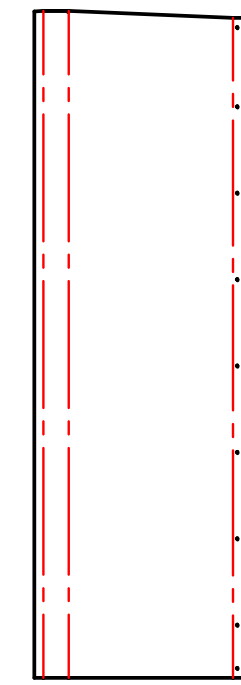
217250 WS-116 LSR
1 Each / 0.1345 in
Left Bend: 5.5" Out of Page
Right Bends: 2" & 5.5"
Out of Page
See Profile 2



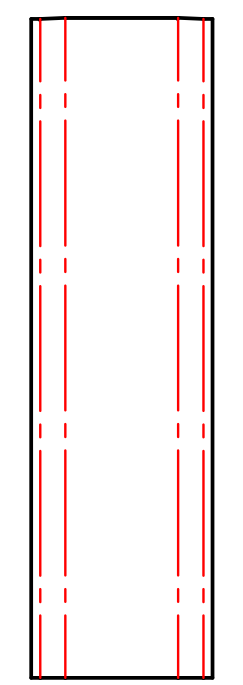
217250 WS-117 LSR
1 Each / 0.1345 in
Left Bend: 5.5" Out of Page
Right Bends: 2" & 5.5"
Out of Page
See Profile 2



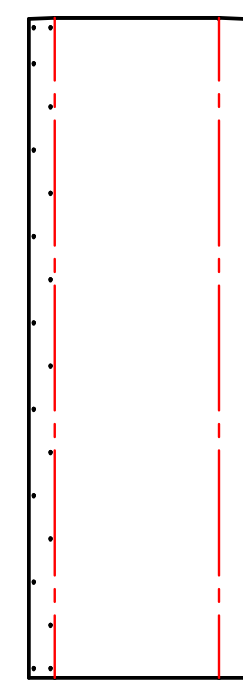
217250 WS-200 LSR
1 Each / 0.1345 in
Left Bend: 5.5" Out of Page
Right Bends: 2" & 5.5"
Out of Page
See Profile 2



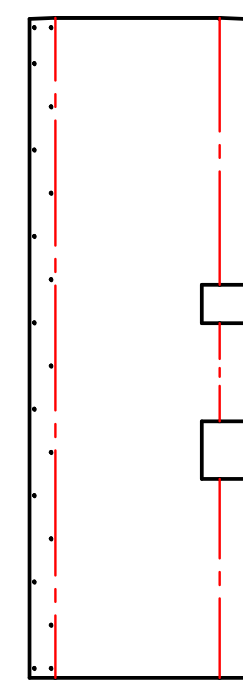
217250 WS-201 LSR
1 Each / 0.1345 in
Left Bends: 2" & 5.5"
Out of Page
Right Bend: 5.5" Out of Page
See Profile 3



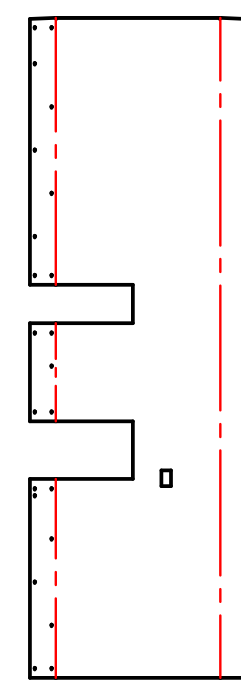
217250 WS-300 LSR
1 Each / 0.1345 in
Side Bends: 2" & 5.5"
Out of Page
See Profile 1



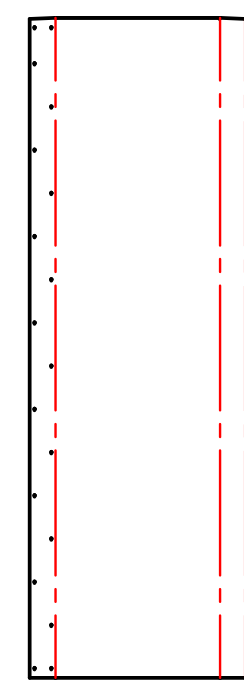
217250 WS-301 LSR
1 Each / 0.1345 in
Left Bend: 5.5" Out of Page
Right Bends: 2" & 5.5"
Out of Page
See Profile 2



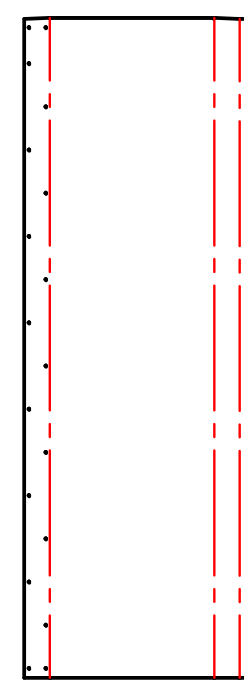
217250 WS-302 LSR
1 Each / 0.1345 in
Left Bend: 5.5" Out of Page
Right Bends: 2" & 5.5"
Out of Page
See Profile 2



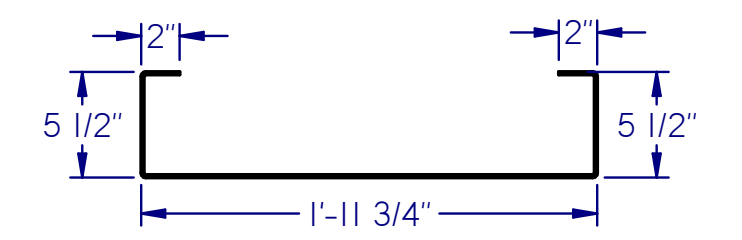
217250 WS-303 LSR
1 Each / 0.1345 in
Left Bend: 5.5" Out of Page
Right Bends: 2" & 5.5"
Out of Page
See Profile 2



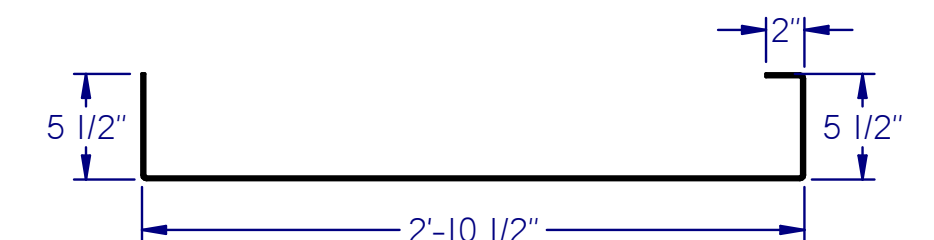
217250 WS-304 LSR
1 Each / 0.1345 in
Left Bend: 5.5" Out of Page
Right Bends: 2" & 5.5"
Out of Page
See Profile 2



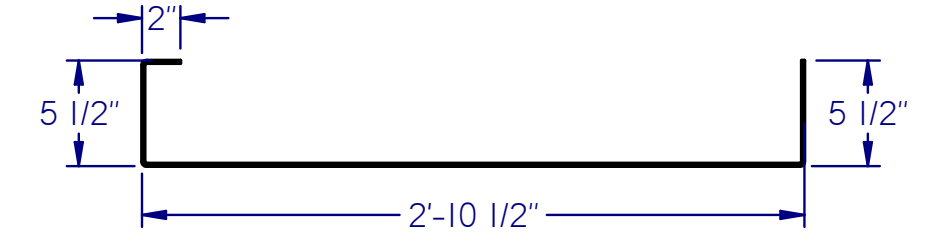
217250 WS-305 LSR
1 Each / 0.1345 in
Left Bend: 5.5" Out of Page
Right Bends: 2" & 5.5"
Out of Page
See Profile 2



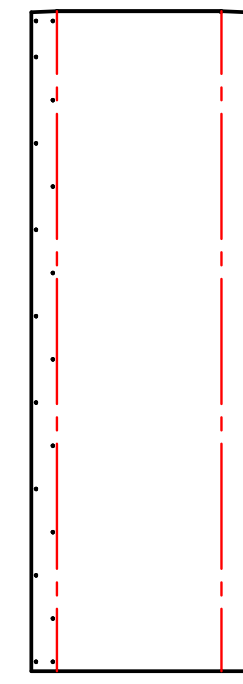
PROFILE 1



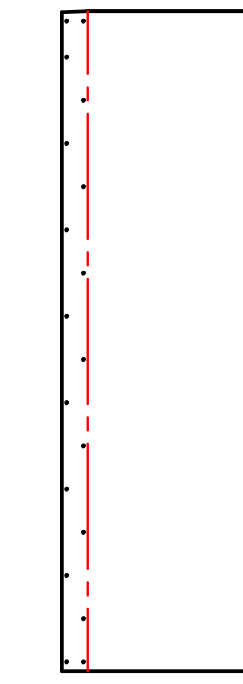
PROFILE 2



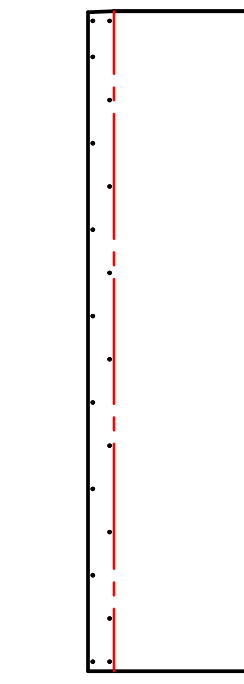
PROFILE 3



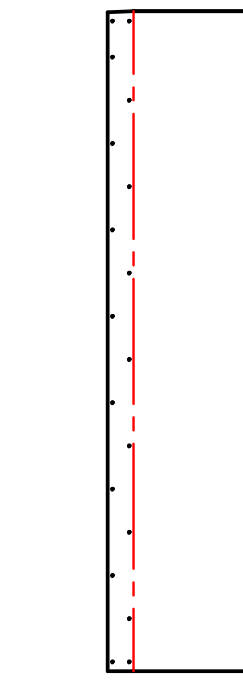
217250 WS-306 LSR
1 Each / 0.1345 in
Left Bend: 5.5" Out of Page
Right Bends: 2" & 5.5"
Out of Page
See Profile 2



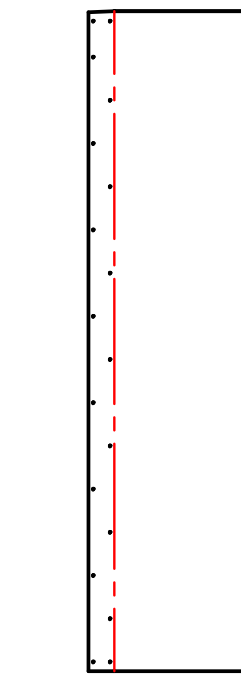
217250 WS-307 LSR
1 Each / 0.1345 in
Left Bend: 5.5" Out of Page
Right Bends: 2" & 5.5"
Out of Page
See Profile 2



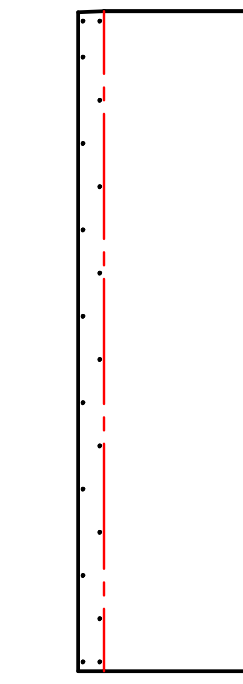
217250 WS-308 LSR
1 Each / 0.1345 in
Left Bend: 5.5" Out of Page
Right Bends: 2" & 5.5"
Out of Page
See Profile 2



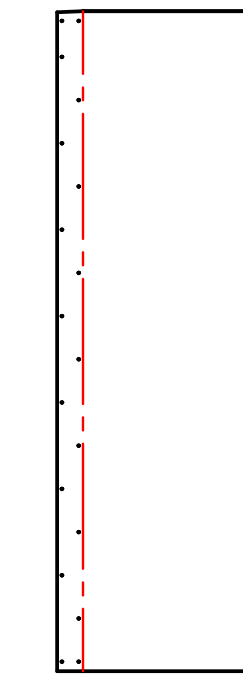
217250 WS-309 LSR
1 Each / 0.1345 in
Left Bend: 5.5" Out of Page
Right Bends: 2" & 5.5"
Out of Page
See Profile 2



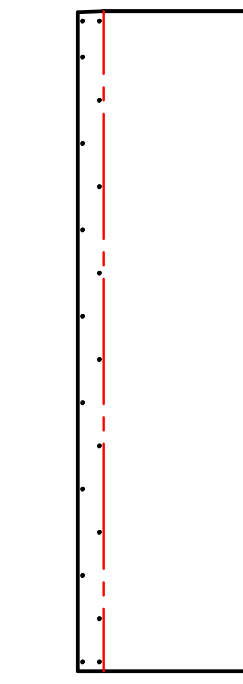
217250 WS-310 LSR
1 Each / 0.1345 in
Left Bend: 5.5" Out of Page
Right Bends: 2" & 5.5"
Out of Page
See Profile 2



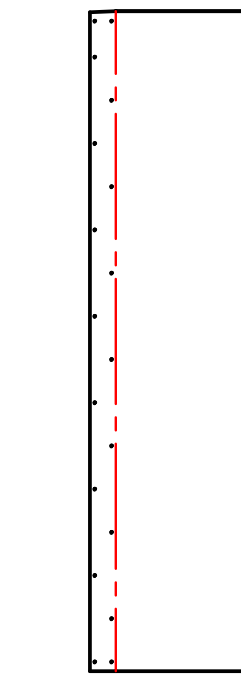
217250 WS-311 LSR
1 Each / 0.1345 in
Left Bend: 5.5" Out of Page
Right Bends: 2" & 5.5"
Out of Page
See Profile 2



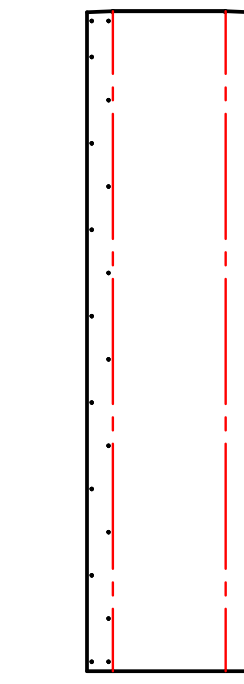
217250 WS-312 LSR
1 Each / 0.1345 in
Left Bend: 5.5" Out of Page
Right Bends: 2" & 5.5"
Out of Page
See Profile 2



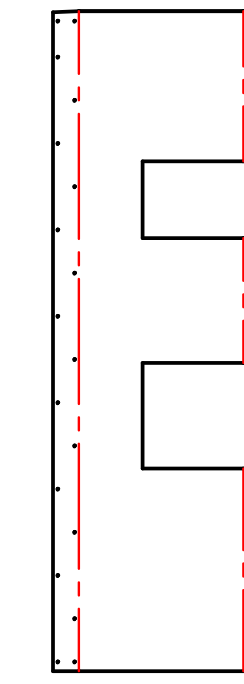
217250 WS-313 LSR
1 Each / 0.1345 in
Left Bend: 5.5" Out of Page
Right Bends: 2" & 5.5"
Out of Page
See Profile 2



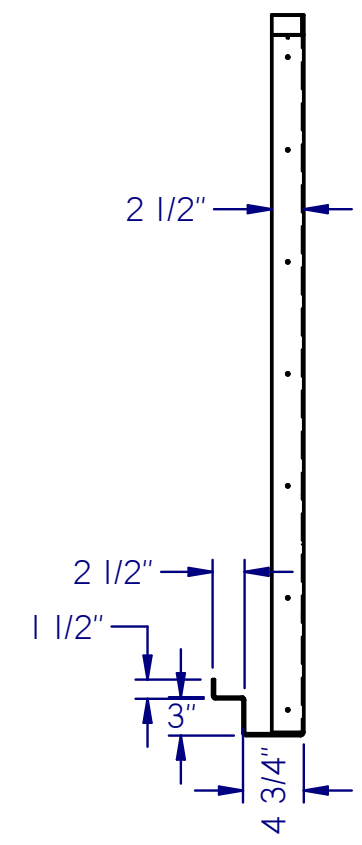
217250 WS-314 LSR
1 Each / 0.1345 in
Left Bend: 5.5" Out of Page
Right Bends: 2" & 5.5"
Out of Page
See Profile 2



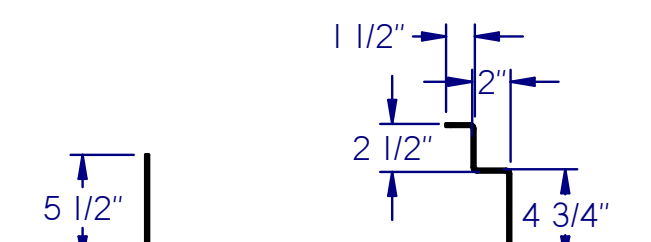
217250 WS-315 LSR
1 Each / 0.1345 in
Left Bend: 5.5" Out of Page
Right Bends: 2" & 5.5"
Out of Page
See Profile 2



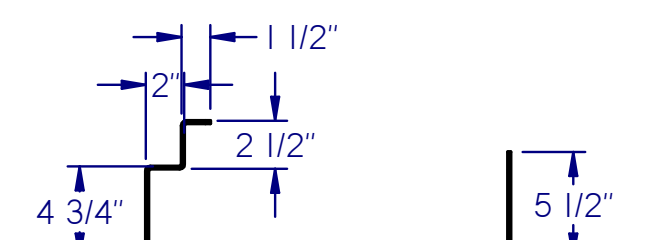
217250 WS-316 LSR
1 Each / 0.1345 in
Left Bend: 5.5" Out of Page
Right Bends: 2" & 5.5"
Out of Page
See Profile 2



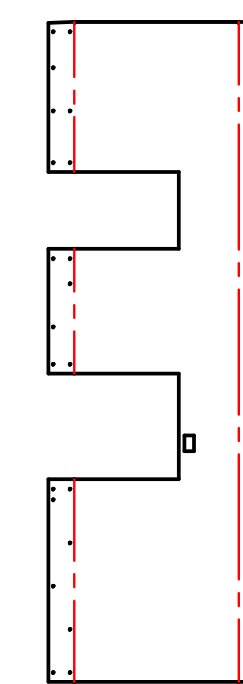
PROFILE 4



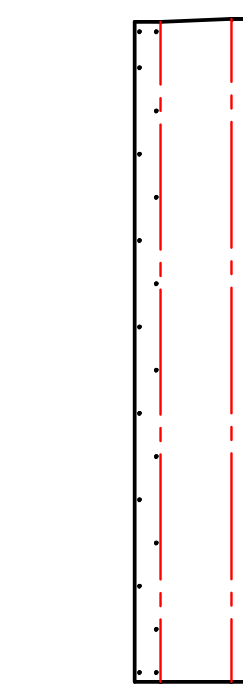
PROFILE 5



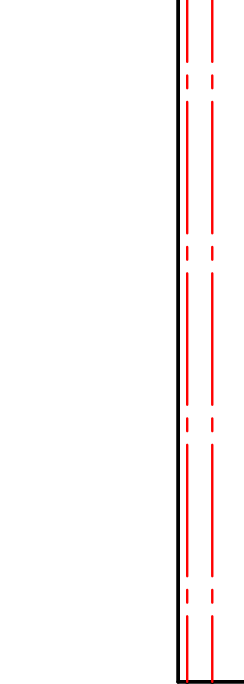
PROFILE 6



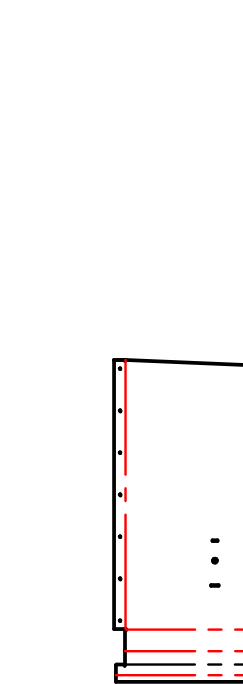
217250 WS-317 LSR
1 Each / 0.1345 in
Left Bend: 5.5" Out of Page
Right Bends: 2" & 5.5"
Out of Page
See Profile 2



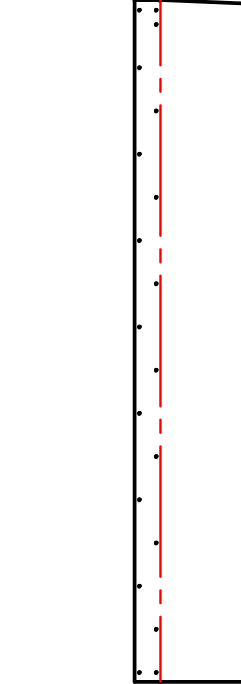
217250 WS-400 LSR
1 Each / 0.1345 in
Left Bend: 5.5" Out of Page
Right Bends: 2" & 5.5"
Out of Page
See Profile 2



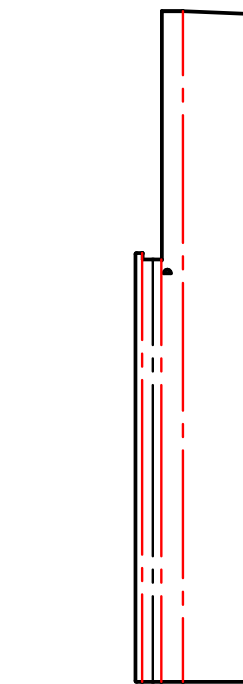
217250 WS-401 LSR
1 Each / 0.135 in
Left Bends: 2" & 5.5"
Out of Page
Right Bend: 5.5" Out of Page
See Profile 3



217250 3070 DOOR HDR LSR
1 Each / 0.1345 in
Side Bends: 2.5" Out of Page
Bottom Bends: 1.5" Out of Page,
2.5" Into Page,
3" & 4.75" Out of Page
See Profile 4



217250 3070 DOOR LDF LSR
1 Each / 0.1345 in
Left Bend: 5.5" Out of Page
Right Bends: 1.5" Out of Page,
2.5" Into Page,
2" & 4.75" Out of Page
See Profile 5



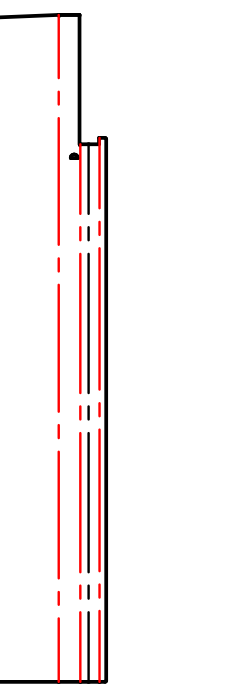
217250 3070 DOOR RDF LSR
1 Each / 0.1345 in
Left Bends: 1.5" Out of Page,
2.5" Into Page,
2" & 4.75" Out of Page
See Profile 6



217250 6070 DOOR W-TRANSOM HDR LSR
1 Each / 0.135 in
Side Bends: 2.5" Out of Page
Bottom Bends: 1.5" Out of Page,
2.5" Into Page,
3" & 4.75" Out of Page
See Profile 4



217250 6070 DOOR W-TRANSOM LDF LSR
1 Each / 0.1345 in
Left Bend: 5.5" Out of Page
Right Bends: 1.5" Out of Page,
2.5" Into Page,
2" & 4.75" Out of Page
See Profile 5



217250 6070 DOOR W-TRANSOM RDF LSR
1 Each / 0.1345 in
Left Bends: 1.5" Out of Page,
2.5" Into Page,
2" & 4.75" Out of Page
See Profile 6

10 GAUGE
MILD STEEL,
ASTM - A1011



1511 SOUTH HIGHWAY 6, PRICE, UT 84501
PHONE: (435) 637-7160 FAX: (435) 637-9601
8221 EAST 96TH AVE, UNIT A, HENDERSON, CO 80640
PHONE: (720) 409-1000
100 VALLEY DRIVE, SOUTHPOINT, OH 45680
PHONE: (740) 414-4770 FAX: (606) 644-0432
400 SWAN AVENUE, CENTRALIA, IL 62801
PHONE: (618) 214-1063 FAX: (606) 644-0442

THIS DOCUMENT CONTAINS
CONFIDENTIAL AND/OR
PROPRIETARY INFORMATION.
ANY USE, REVIEW,
RETRANSMISSION,
DISSEMINATION OR OTHER
USE OF, OR PURSUING OF ANY
ACTION IN RELIANCE UPON THIS
INFORMATION IS STRICTLY
PROHIBITED WITHOUT PROPER
AUTHORIZATION FROM
INTERMOUNTAIN ELECTRONICS.

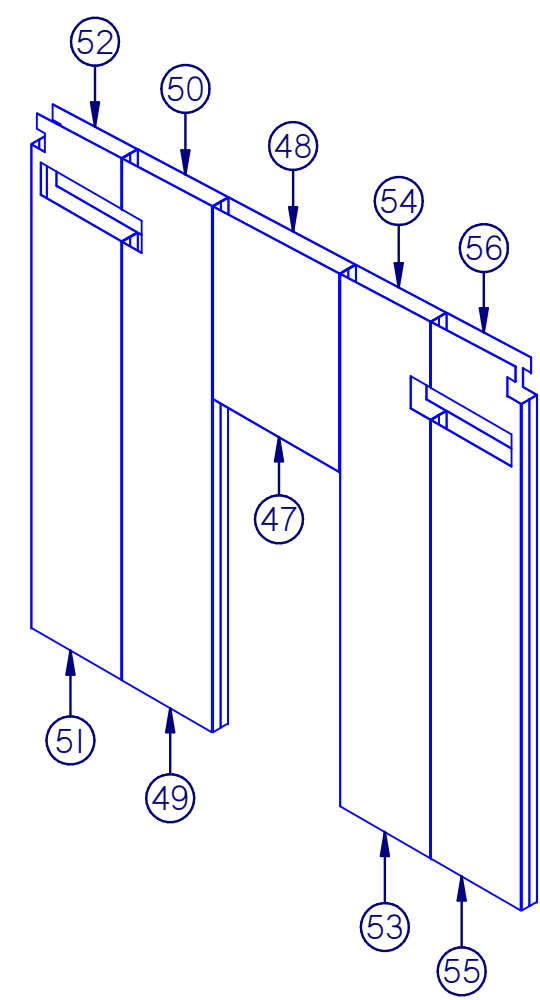
PDC ENERGY
PDC-1000
BEND INFORMATION

REVISIONS

Rev:	Date:	Description:	By:	Approved:
FR 2.0	8/30/2018	ISSUED FOR REVIEW 2.0 - UPDATED PER P. E. L. REDLINES DATED 8/29/2018	WR	JY
FR 3.0	9/4/2018	ISSUED FOR REVIEW 3.0 - UPDATED PER P. E. L. AND ENGINEER REDLINES DATED 8/31/2018	WR	JY
IFC 1.0	9/7/2018	ISSUED FOR CONSTRUCTION	WR	JY
			NA	NA
			NA	NA
			NA	NA
			NA	NA

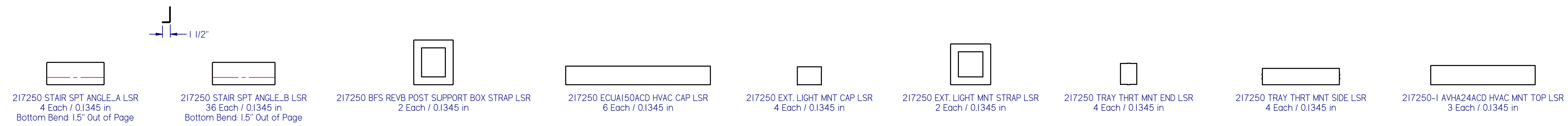
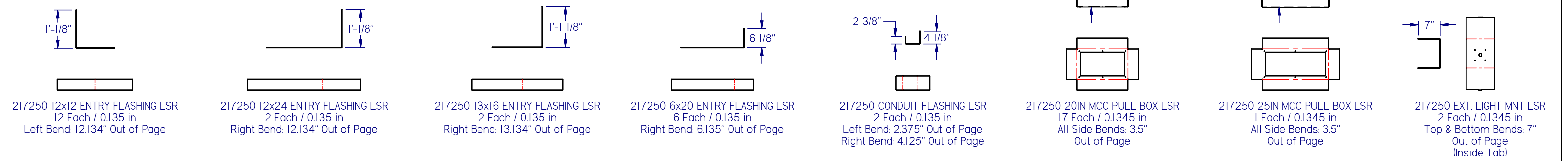
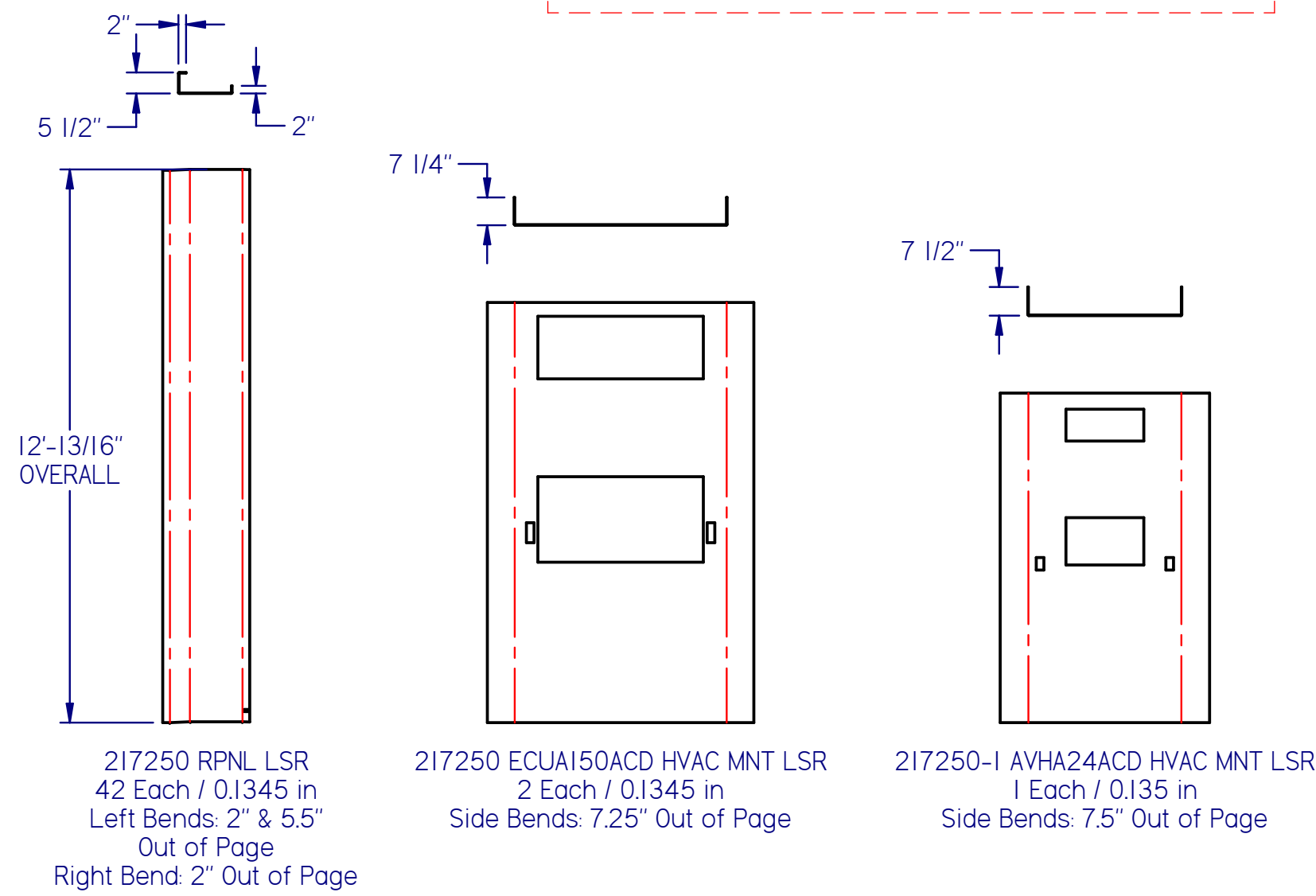
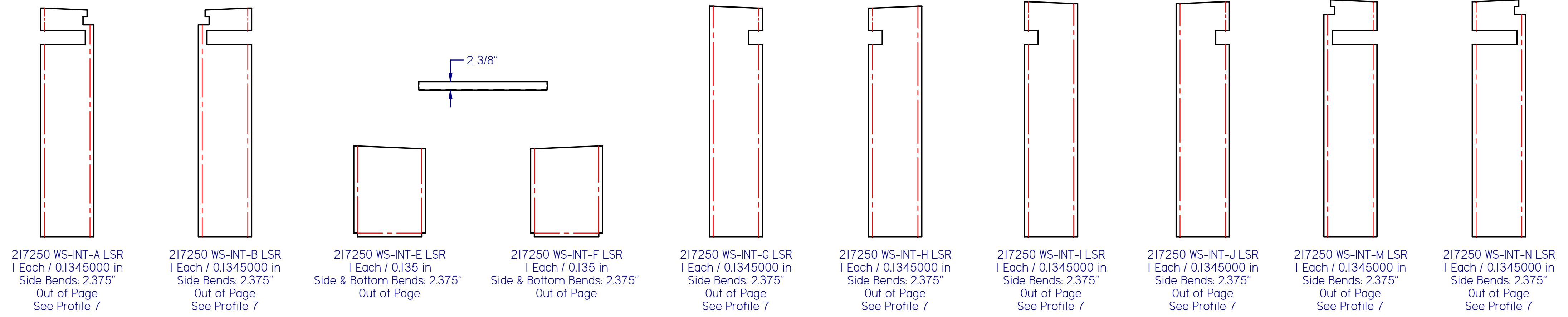
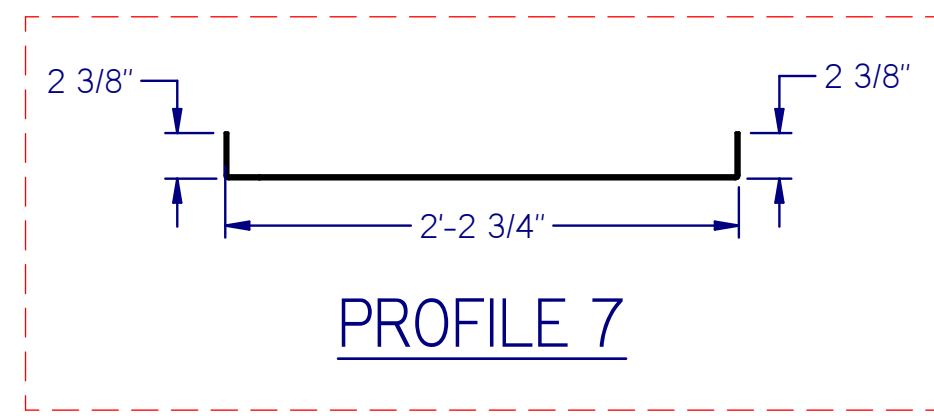
DRAWN BY: wrasmussen
ENGINEERED BY: J.S.Y., M.E.
APPROVED BY: -
DATE: 7/25/2018
PROJECT NO. 217250-1-1
REV. IFC 1.0

DRAWING NO. M-23
SHT 23 OF 45



PARTITION WALL SHEET LAYOUT		
Item Number	Quantity	File Name
47	1	217250 WS-INT-E LSR
48	1	217250 WS-INT-F LSR
49	1	217250 WS-INT-G LSR
50	1	217250 WS-INT-H LSR
51	1	217250 WS-INT-A LSR
52	1	217250 WS-INT-B LSR
53	1	217250 WS-INT-I LSR
54	1	217250 WS-INT-J LSR
55	1	217250 WS-INT-M LSR
56	1	217250 WS-INT-N LSR

10 GAUGE
MILD STEEL,
ASTM - A1011



1511 SOUTH HIGHWAY 6, PRICE, UT 84501
PHONE: (435) 637-7160 FAX: (435) 637-9601

8221 EAST 96TH AVE, UNIT A, HENDERSON, CO 80640
PHONE: (720) 409-1000

100 VALLEY DRIVE, SOUTHPOINT, OH 45680
PHONE: (740) 414-4770 FAX: (606) 644-0432

400 SWAN AVENUE, CENTRALIA, IL 62801
PHONE: (618) 214-1063 FAX: (606) 644-0442

THIS DOCUMENT CONTAINS CONFIDENTIAL AND/OR PROPRIETARY INFORMATION. ANY USE, REVIEW, RETRANSMISSION, DISSEMINATION OR OTHER USE OF, OR PURSUING OF ANY ACTION IN RELIANCE UPON THIS INFORMATION IS STRICTLY PROHIBITED WITHOUT PROPER AUTHORIZATION FROM INTERMOUNTAIN ELECTRONICS.

PDC ENERGY

PDC-1000

BEND INFORMATION

REVISIONS				
Rev:	Date:	Description:	By:	Approved:
FR 2.0	8/30/2018	ISSUED FOR REVIEW 2.0 - UPDATED PER P. E. L. REDLINES DATED 8/29/2018	WR	JY
FR 3.0	9/4/2018	ISSUED FOR REVIEW 3.0 - UPDATED PER P. E. L. AND ENGINEER REDLINES DATED 8/31/2018	WR	JY
IFC 1.0	9/7/2018	ISSUED FOR CONSTRUCTION	WR	JY
			NA	NA
			NA	NA
			NA	NA
			NA	NA

DRAWN BY: wrasmussen

ENGINEERED BY: J.S.Y., M.E.

APPROVED BY: _____

DATE: 7/25/2018

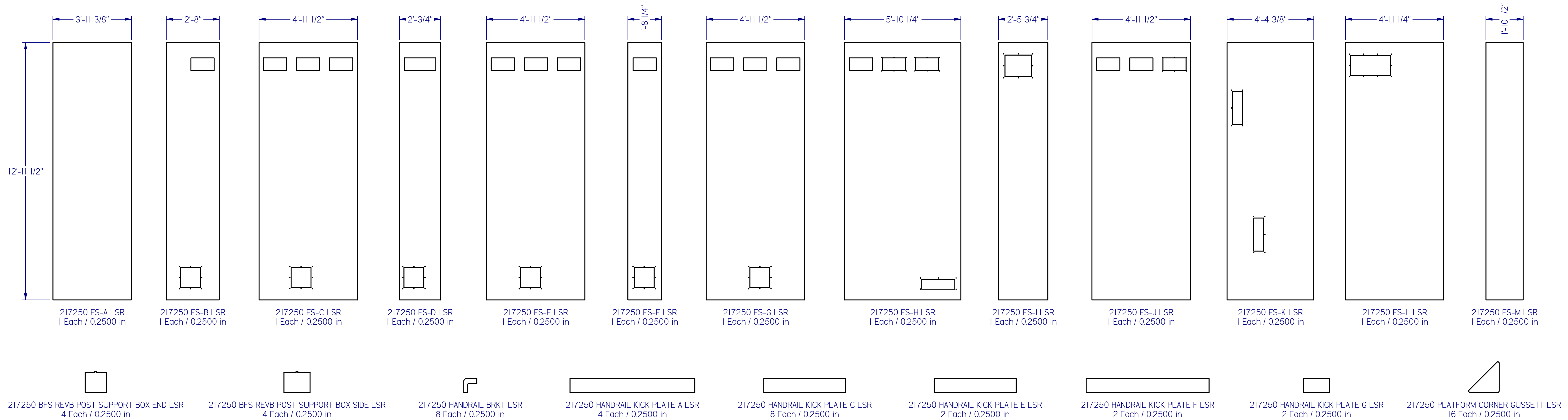
PROJECT NO. **217250-1-1**

REV. **IFC 1.0**

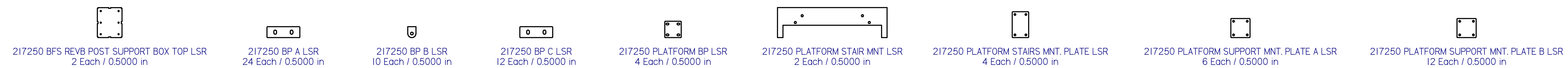
DRAWING NO. **M-24**

SHT **24** OF **45**

1/4" INCH
MILD STEEL,
ASTM - A36



1/2" INCH
MILD STEEL,
ASTM - A36



1/8" INCH
ALUMINUM,
ASTM - B209



1511 SOUTH HIGHWAY 6, PRICE, UT 84501
PHONE: (435) 637-7160 FAX: (435) 637-9601
8221 EAST 96TH AVE, UNIT A, HENDERSON, CO 80640
PHONE: (720) 409-1000
100 VALLEY DRIVE, SOUTHPOINT, OH 45680
PHONE: (740) 414-4770 FAX: (606) 644-0432
400 SWAN AVENUE, CENTRALIA, IL 62801
PHONE: (618) 214-1063 FAX: (606) 644-0442

THIS DOCUMENT CONTAINS
CONFIDENTIAL AND/OR
PROPRIETARY INFORMATION.
ANY USE, REVIEW,
RETRANSMISSION,
DISSEMINATION OR OTHER
USE OF, OR PURSUING OF ANY
ACTION IN RELIANCE UPON THIS
INFORMATION IS STRICTLY
PROHIBITED WITHOUT PROPER
AUTHORIZATION FROM
INTERMOUNTAIN ELECTRONICS.

PDC ENERGY
PDC-1000
BEND INFORMATION

REVISIONS

Rev:	Date:	Description:	By:	Approved:
FR 2.0	8/30/2018	ISSUED FOR REVIEW 2.0 - UPDATED PER P. E. L. REDLINES DATED 8/29/2018	WR	JY
FR 3.0	9/4/2018	ISSUED FOR REVIEW 3.0 - UPDATED PER P. E. L. AND ENGINEER REDLINES DATED 8/31/2018	WR	JY
IFC 1.0	9/7/2018	ISSUED FOR CONSTRUCTION	WR	JY
			NA	NA
			NA	NA
			NA	NA
			NA	NA

DRAWN BY: wrasmussen
ENGINEERED BY: J.S.Y., M.E.
APPROVED BY: -
DATE: 7/25/2018
PROJECT NO. 217250-1-1
REV. IFC 1.0

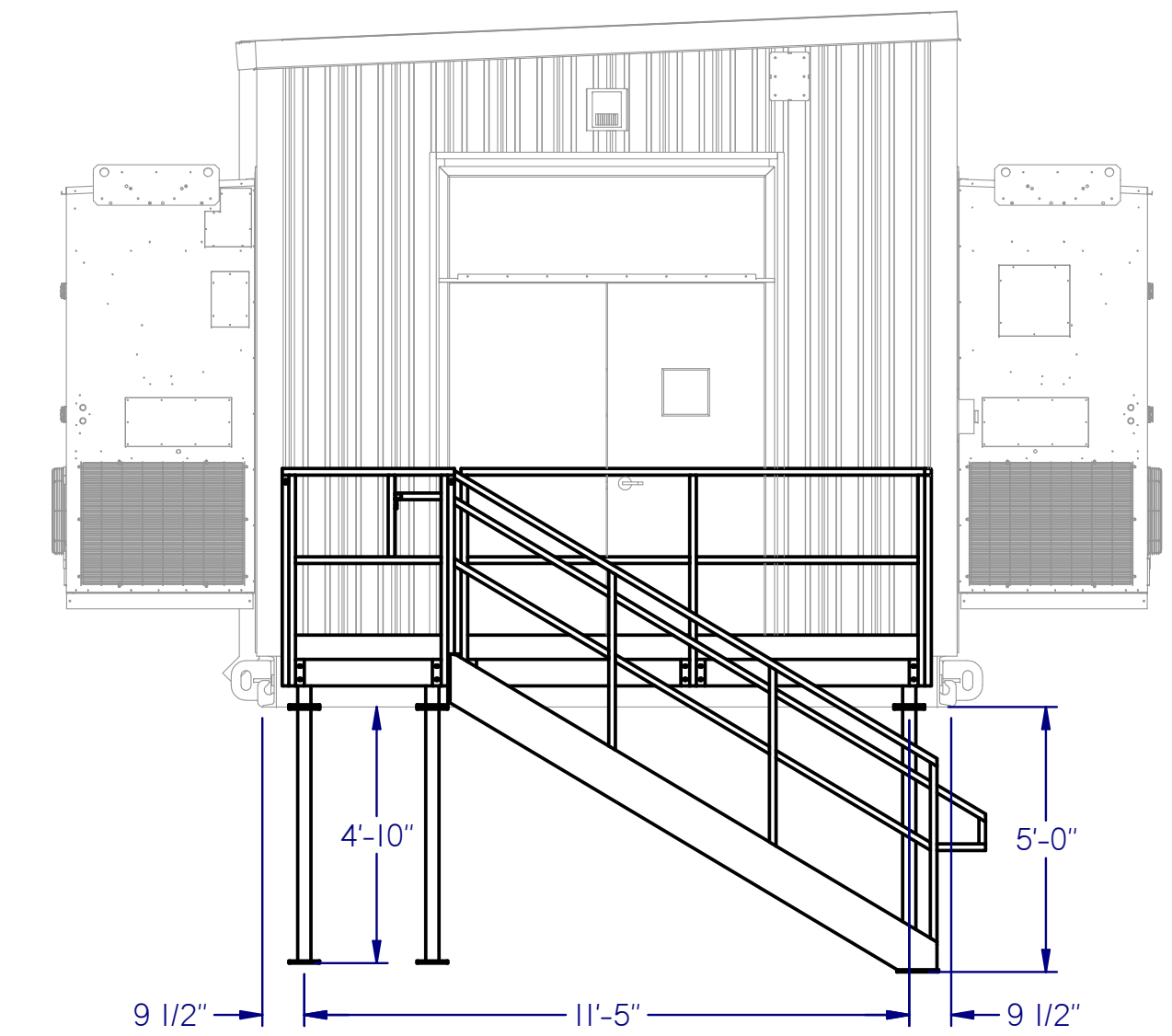
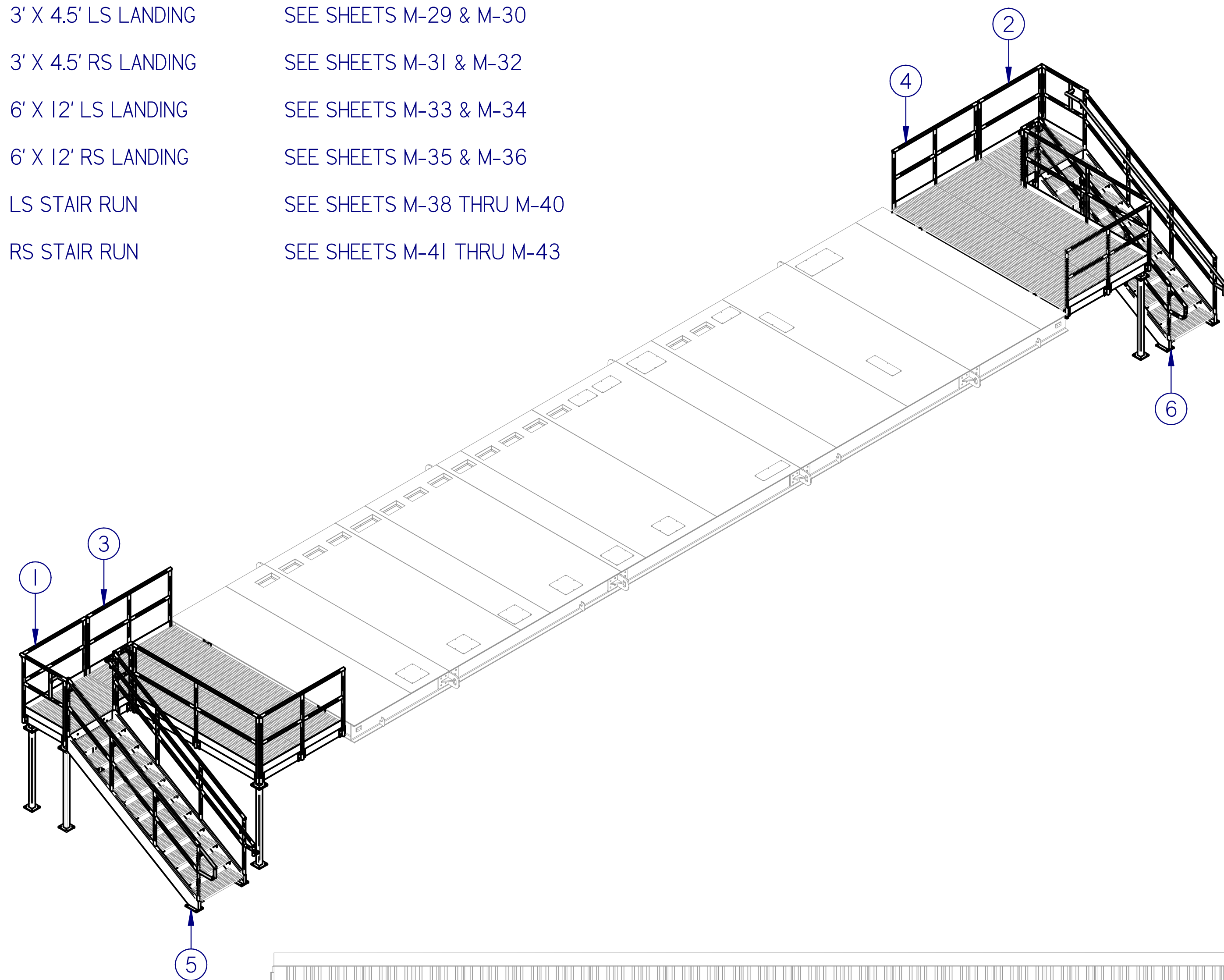
DRAWING NO. **M-25**
SHT 25 OF 45

- ① 3' X 4.5' LS LANDING SEE SHEETS M-29 & M-30
- ② 3' X 4.5' RS LANDING SEE SHEETS M-31 & M-32
- ③ 6' X 12' LS LANDING SEE SHEETS M-33 & M-34
- ④ 6' X 12' RS LANDING SEE SHEETS M-35 & M-36
- ⑤ LS STAIR RUN SEE SHEETS M-38 THRU M-40
- ⑥ RS STAIR RUN SEE SHEETS M-41 THRU M-43

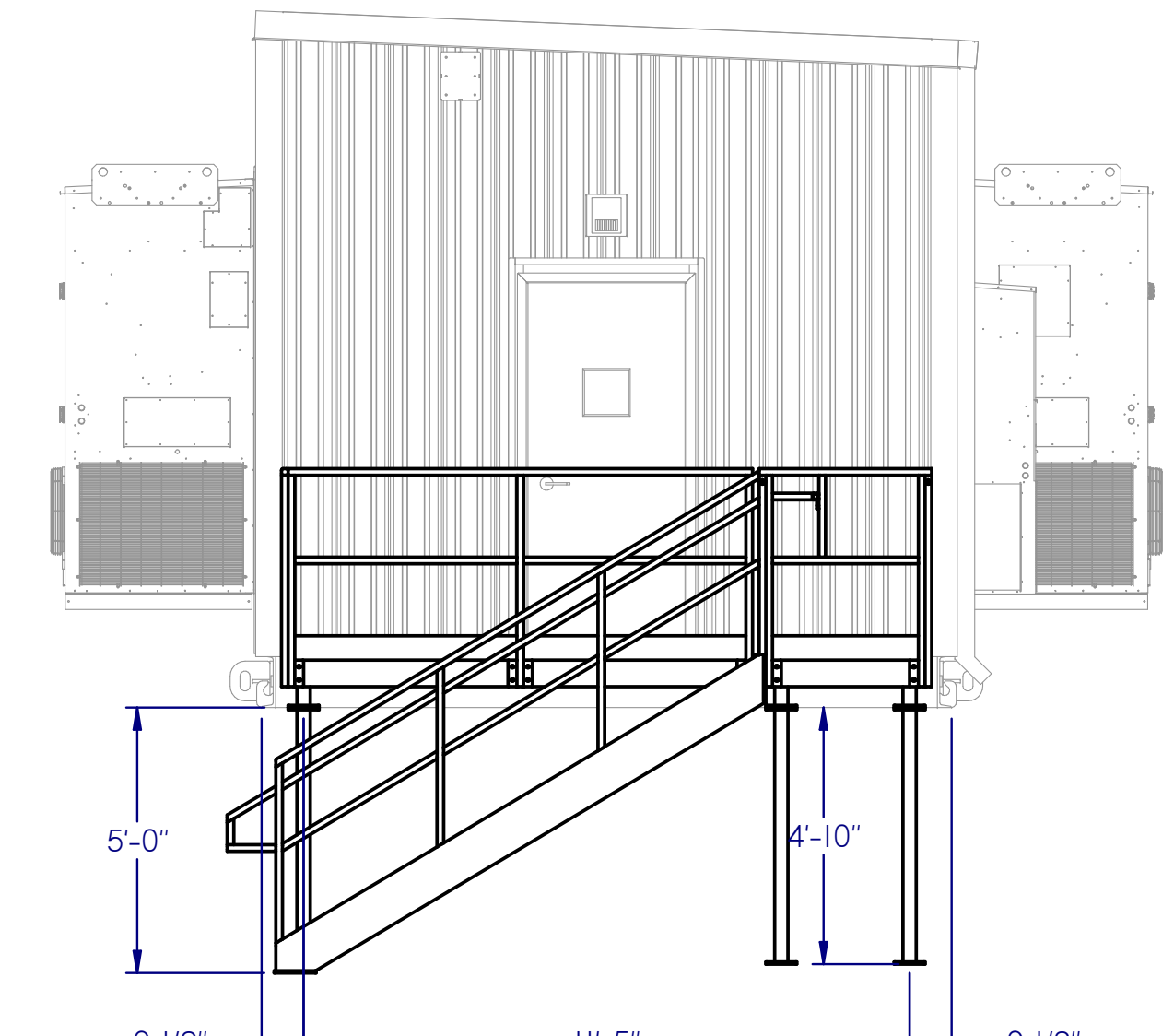
NOTES:

DESIGN

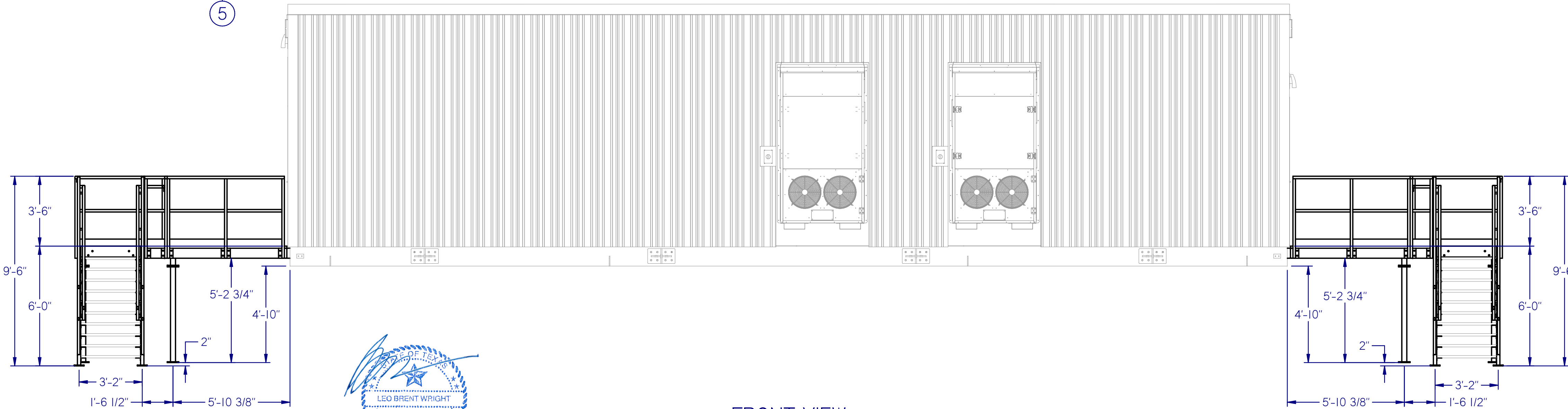
1. Design and construction based on 2015 IBC for structural items and platform, handrail, and stairway requirements. AISC Steel Construction Manual, 14th Edition, and Detailing for Steel Construction, 2nd Edition. Welding shall conform to AWS D1.1 and D1.3
2. Estimated weight completely assembled and installed = 3,600 lbs for 6' x 12' LS platform & stairs, 3,600 lbs for 6' x 12' RS platform & stairs.
3. All platform grating and stair treads to be 19W4, non-serrated, galvanized steel.
4. Structural Steel:
 - a. W-Shapes: ASTM A992
 - b. C-Shapes: ASTM A992 or A572 GR.50
 - c. HSS-Shapes: ASTM A500 GRB
 - d. Plate 1/4" thick and greater: ASTM A36
 - e. Plate less than 1/4" thick: ASTM A1011 CS Type B
 - f. Bar Grating: ASTM A1011 CS Type B
5. Foundation and attachment shall be designed by others.



LEFT VIEW
PLATFORMS & STAIRS



RIGHT VIEW
PLATFORMS & STAIRS



FRONT VIEW
PLATFORMS & STAIRS



THE ACCOMPANYING PROFESSIONAL ENGINEER'S SEAL APPLIES TO THE STRUCTURAL ELEMENTS ONLY



1511 SOUTH HIGHWAY 6, PRICE, UT 84501
PHONE: (435) 637-7160 FAX: (435) 637-9601

8221 EAST 96TH AVE, UNIT A, HENDERSON, CO 80640
PHONE: (720) 409-1000

100 VALLEY DRIVE, SOUTHPOINT, OH 45680
PHONE: (740) 414-4770 FAX: (606) 644-0432

400 SWAN AVENUE, CENTRALIA, IL 62801
PHONE: (618) 214-1063 FAX: (606) 644-0442

THIS DOCUMENT CONTAINS CONFIDENTIAL AND/OR PROPRIETARY INFORMATION. ANY USE, REVIEW, RETRANSMISSION, DISSEMINATION OR OTHER USE OF, OR PURSUING OF ANY ACTION IN RELIANCE UPON THIS INFORMATION IS STRICTLY PROHIBITED WITHOUT PROPER AUTHORIZATION FROM INTERMOUNTAIN ELECTRONICS.

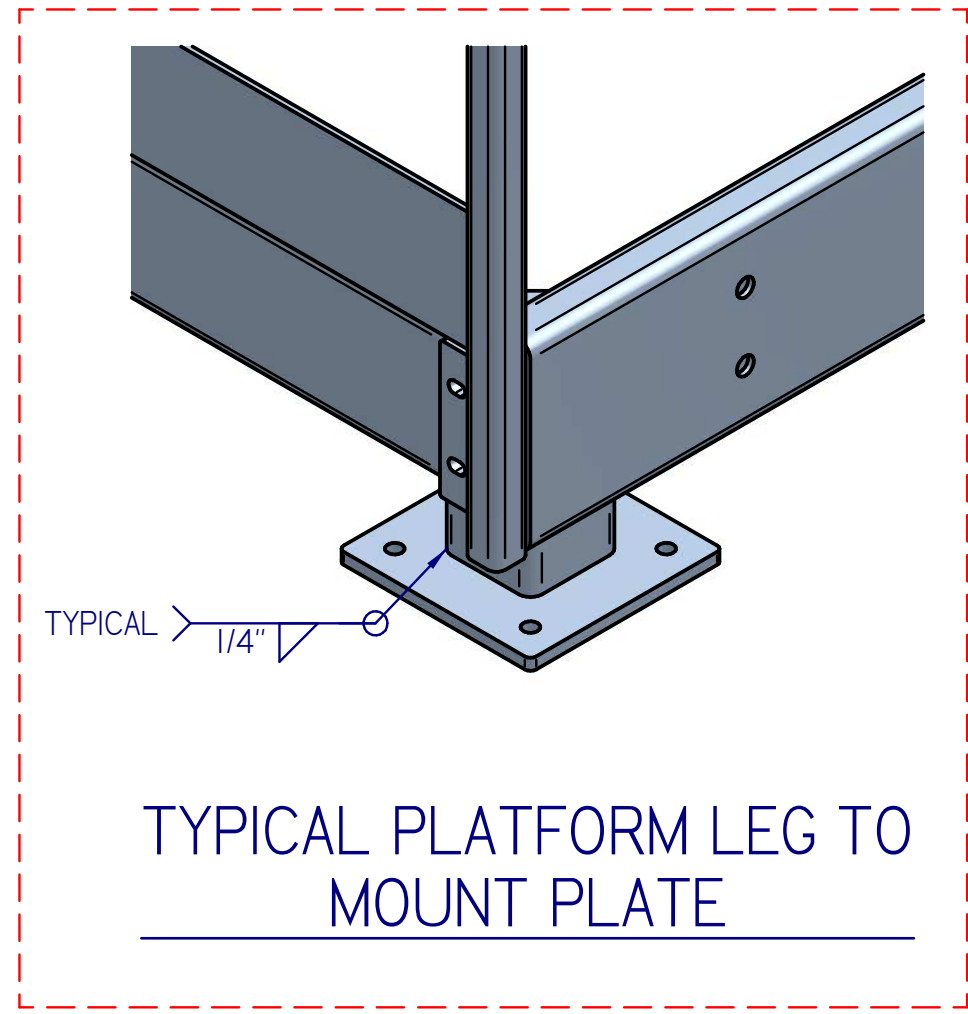
PDC ENERGY
PDC-1000
PLATFORMS & STAIRS

REVISIONS

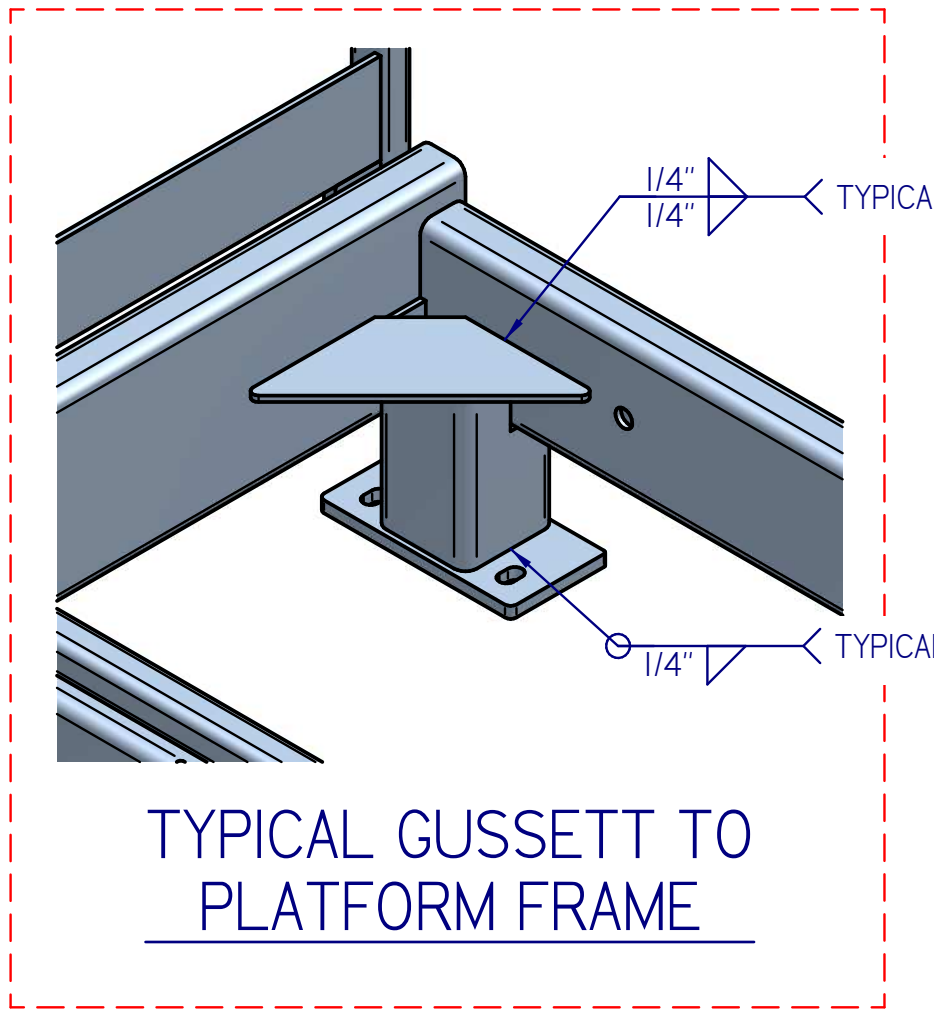
Rev:	Date:	Description:	By:	Approved:
FR 2.0	8/30/2018	ISSUED FOR REVIEW 2.0 - UPDATED PER P. E. L. REDLINES DATED 8/29/2018	WR	JY
FR 3.0	9/4/2018	ISSUED FOR REVIEW 3.0 - UPDATED PER P. E. L. AND ENGINEER REDLINES DATED 8/31/2018	WR	JY
IFC 1.0	9/7/2018	ISSUED FOR CONSTRUCTION	WR	JY
			NA	NA
			NA	NA
			NA	NA
			NA	NA

DRAWN BY: wrasmussen
ENGINEERED BY: J.S.Y., M.E.
APPROVED BY: -
DATE: 7/25/2018
PROJECT NO. 217250-1-1
REV. IFC 1.0

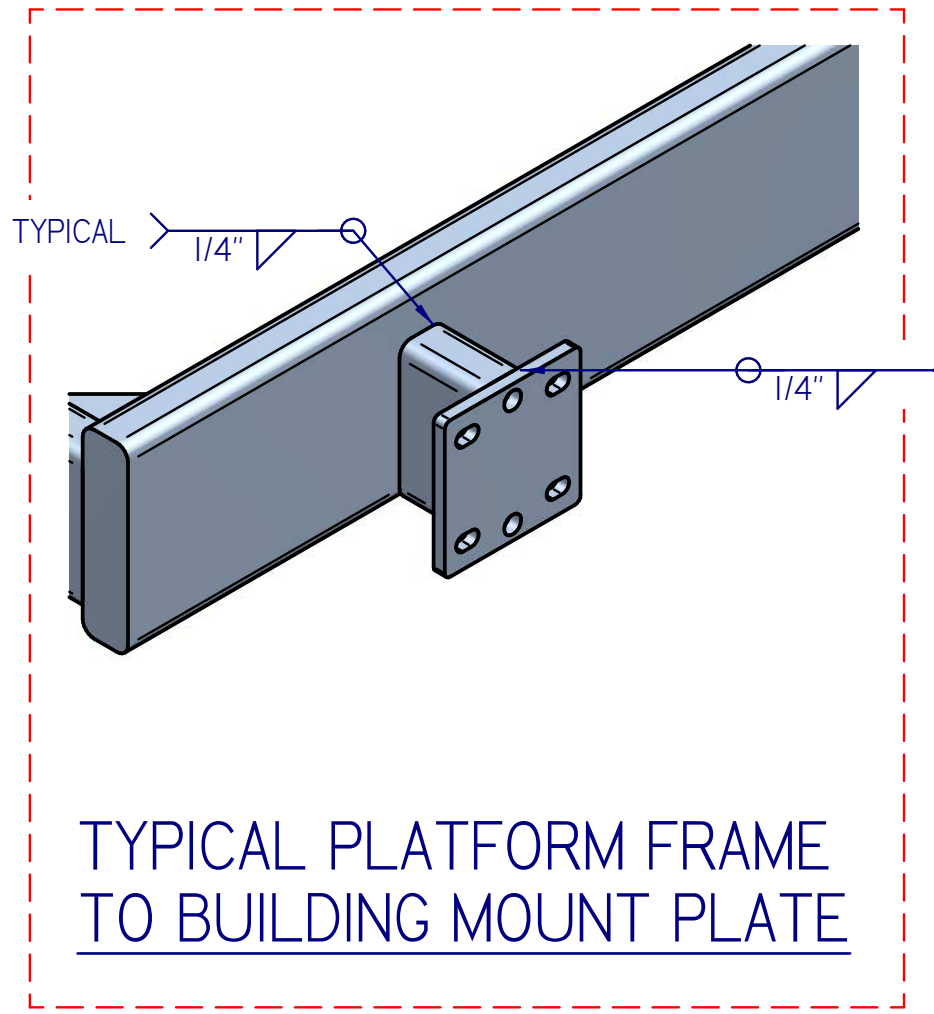
DRAWING NO. **M-26**
SHT 26 OF 45



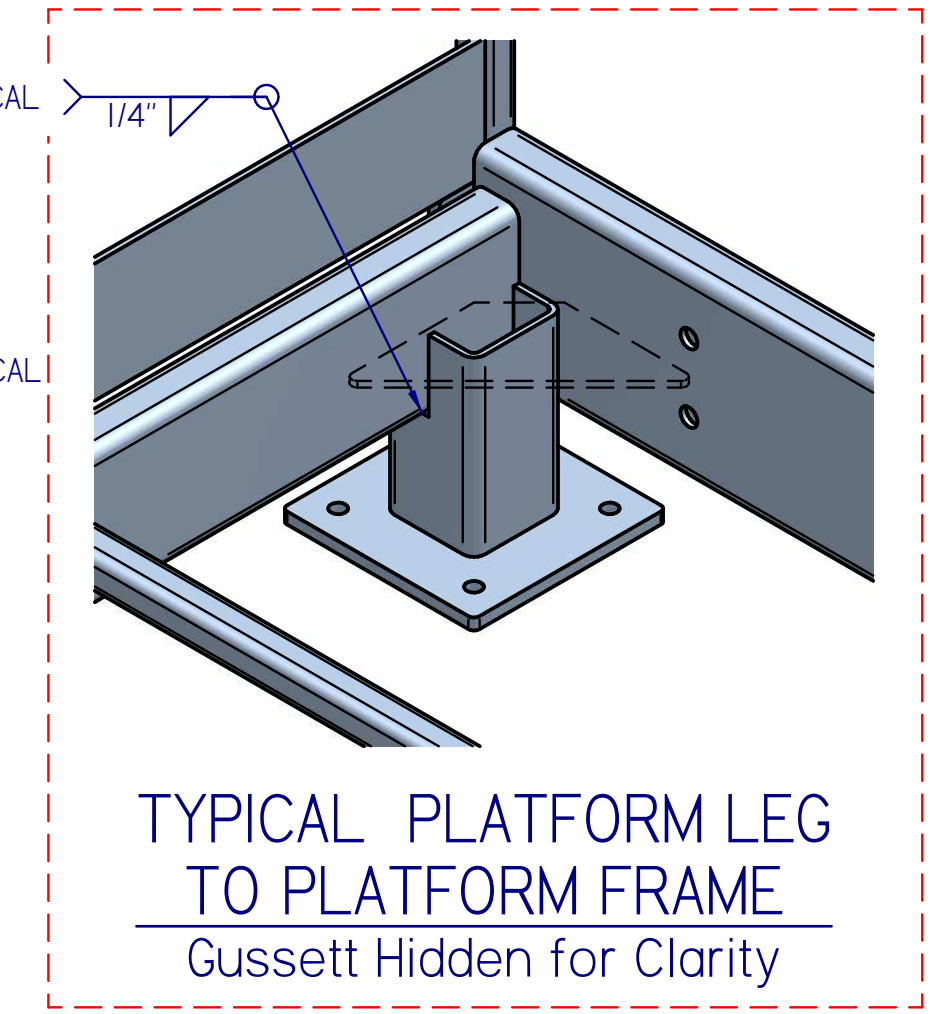
TYPICAL PLATFORM LEG TO MOUNT PLATE



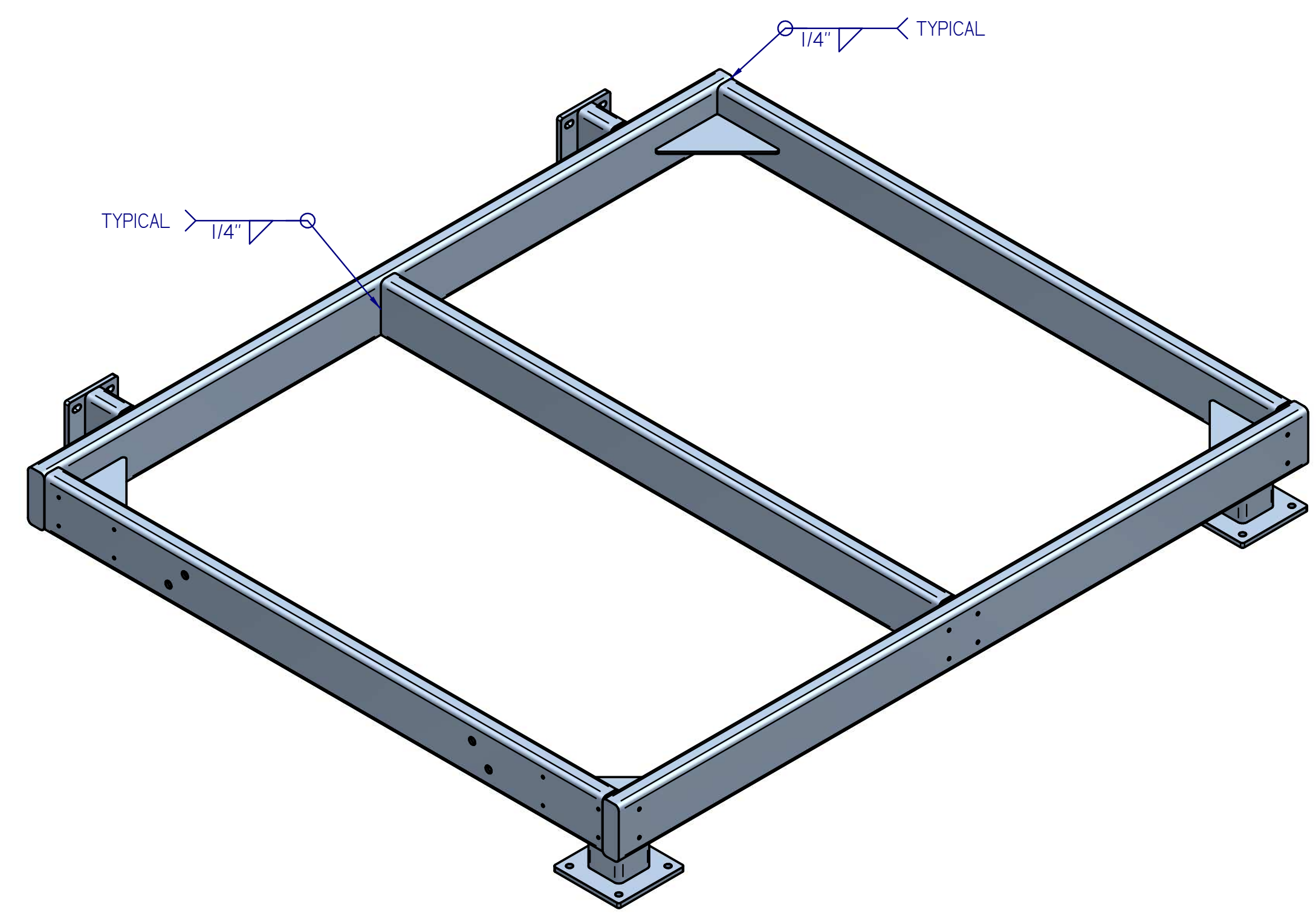
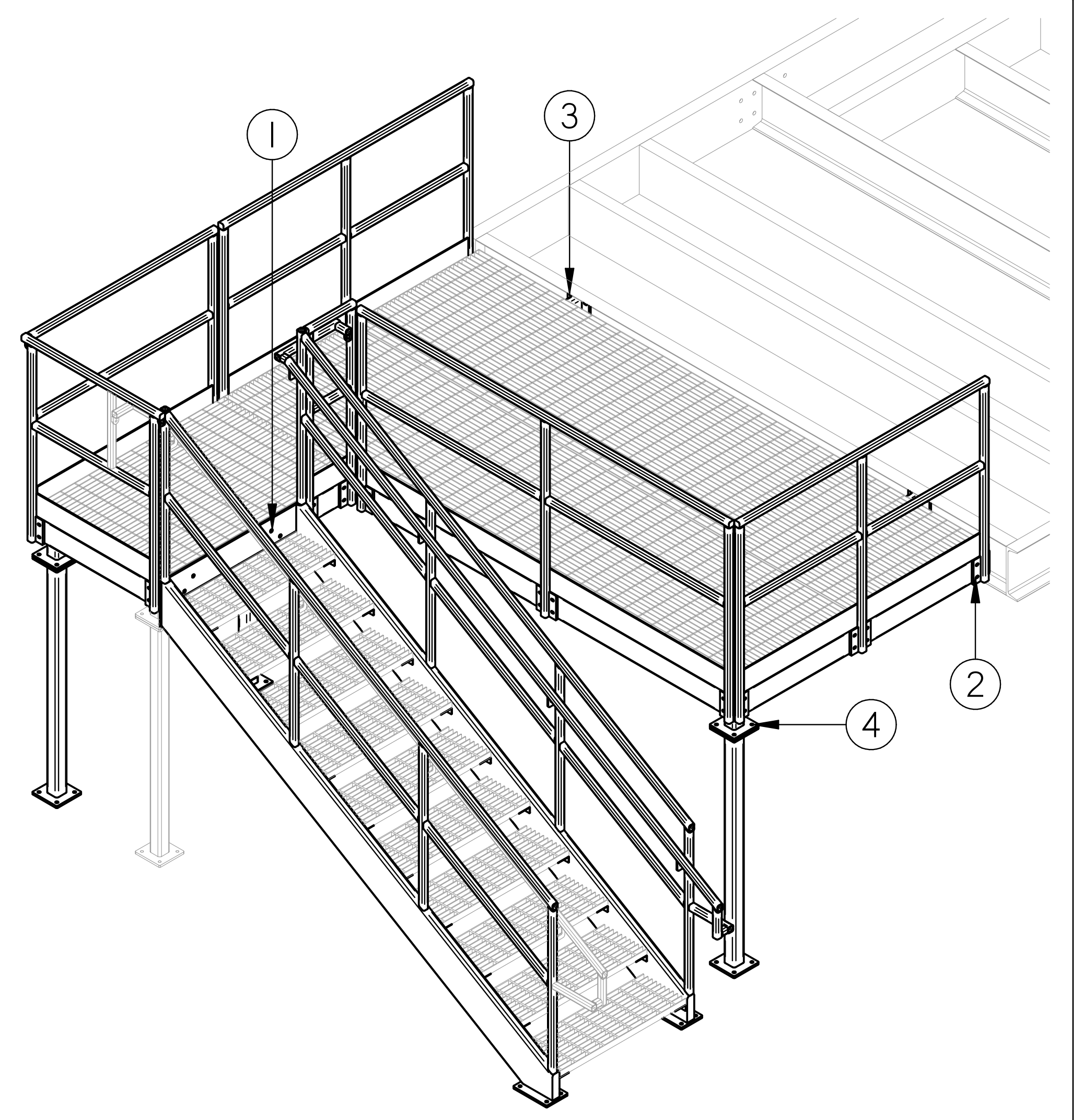
TYPICAL GUSSET TO PLATFORM FRAME



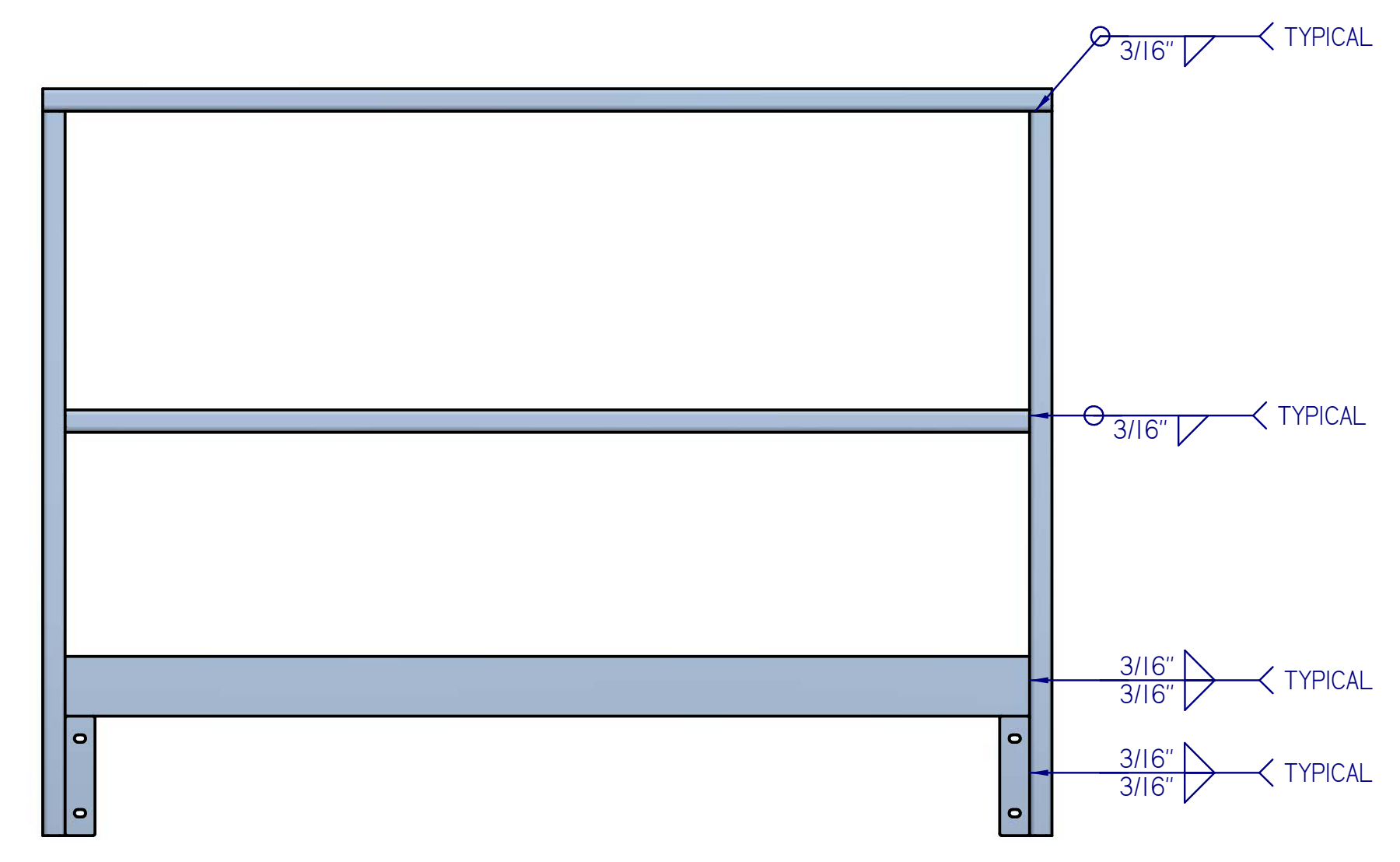
TYPICAL PLATFORM FRAME TO BUILDING MOUNT PLATE



TYPICAL PLATFORM LEG TO PLATFORM FRAME
Gusset Hidden for Clarity



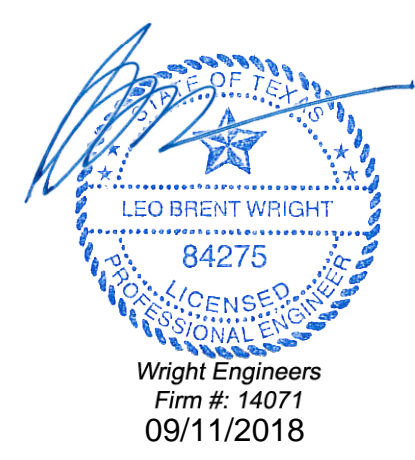
TYPICAL PLATFORM



TYPICAL HANDRAIL

BOLT TABLE

- ① STAIRS TO PLATFORM: 5/8"-11 X 3.5" A325 GALVANIZED STRUCTURAL BOLT
- ② HANDRAIL TO PLATFORM: 3/8"-16 X 1.25" A307 GALVANIZED STRUCTURAL BOLT
- ③ PLATFORM TO BUILDING: 1/2"-13 X 2" A325 GALVANIZED STRUCTURAL BOLT
- ④ SUPPORT LEG TO PLATFORM: 1/2"-13 X 2" A325 GALVANIZED STRUCTURAL BOLT



THE ACCOMPANYING PROFESSIONAL ENGINEER'S SEAL APPLIES TO THE STRUCTURAL ELEMENTS ONLY



1511 SOUTH HIGHWAY 6, PRICE, UT 84501
PHONE: (435) 637-7160 FAX: (435) 637-9601

8221 EAST 96TH AVE, UNIT A, HENDERSON, CO 80640
PHONE: (720) 409-1000

100 VALLEY DRIVE, SOUTHPOINT, OH 45680
PHONE: (740) 414-4770 FAX: (606) 644-0432

400 SWAN AVENUE, CENTRALIA, IL 62801
PHONE: (618) 214-1063 FAX: (606) 644-0442

THIS DOCUMENT CONTAINS CONFIDENTIAL AND/OR PROPRIETARY INFORMATION. ANY USE, REVIEW, RETRANSMISSION, DISSEMINATION OR OTHER USE OF, OR PURSUING OF ANY ACTION IN RELIANCE UPON THIS INFORMATION IS STRICTLY PROHIBITED WITHOUT PROPER AUTHORIZATION FROM INTERMOUNTAIN ELECTRONICS.

PDC ENERGY
PDC-1000
STANDARD PLATFORM WELD DETAILS

REVISIONS					
Rev:	Date:	Description:	By:	Approved:	
FR 2.0	8/30/2018	ISSUED FOR REVIEW 2.0 - UPDATED PER P. E. L. REDLINES DATED 8/29/2018	WR	JY	
FR 3.0	9/4/2018	ISSUED FOR REVIEW 3.0 - UPDATED PER P. E. L. AND ENGINEER REDLINES DATED 8/31/2018	WR	JY	
IFC 1.0	9/7/2018	ISSUED FOR CONSTRUCTION	WR	JY	
			NA	NA	
			NA	NA	
			NA	NA	
			NA	NA	

DRAWN BY: wrasmussen
ENGINEERED BY: J.S.Y., M.E.
APPROVED BY: -
DATE: 7/25/2018
PROJECT NO. 217250-1-1
REV. IFC 1.0

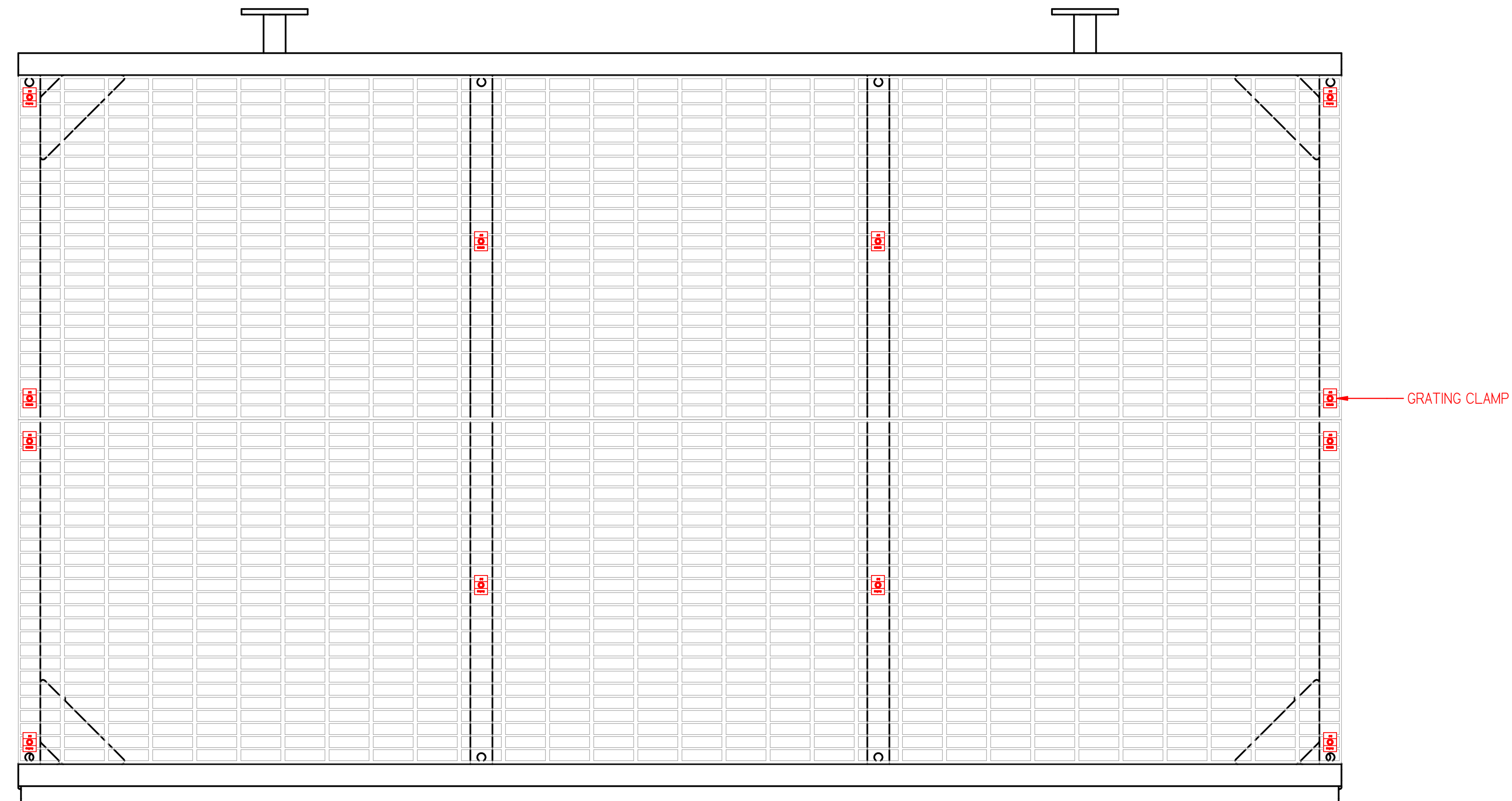
DRAWING NO. M-27
SHT 27 OF 45

NOTES:

ALL LANDING GRATING TO BE GALVANIZED,
19-W-4 X 1-1/4" X 3/16" NON-SERRATED BAR GRATING.

ALL STAIR TREADS TO BE GALVANIZED, 19-W-4 X 1 1/2" X 3/16"
NON-SERRATED BAR GRATING WITH NOSING.

GRATING CLAMPS TO BE ATTACHED AT 4 CORNERS OF
EACH PLANK AND 1 AT EACH MIDSPAN SUPPORT. STAIR
TREADS TO HAVE 4 EACH GRATING CLAMPS, ONE AT EACH
CORNER.



PLAN VIEW
Grating Detail



1511 SOUTH HIGHWAY 6, PRICE, UT 84501
PHONE: (435) 637-7160 FAX: (435) 637-9601

8221 EAST 96TH AVE, UNIT A, HENDERSON, CO 80640
PHONE: (720) 409-1000

100 VALLEY DRIVE, SOUTHPOINT, OH 45680
PHONE: (740) 414-4770 FAX: (606) 644-0432

400 SWAN AVENUE, CENTRALIA, IL 62801
PHONE: (618) 214-1063 FAX: (606) 644-0442

THIS DOCUMENT CONTAINS
CONFIDENTIAL AND/OR
PROPRIETARY INFORMATION.
ANY USE, REVIEW,
RETRANSMISSION,
DISSEMINATION OR OTHER
USE OF, OR PURSUING OF ANY
ACTION IN RELIANCE UPON THIS
INFORMATION IS STRICTLY
PROHIBITED WITHOUT PROPER
AUTHORIZATION FROM
INTERMOUNTAIN ELECTRONICS.

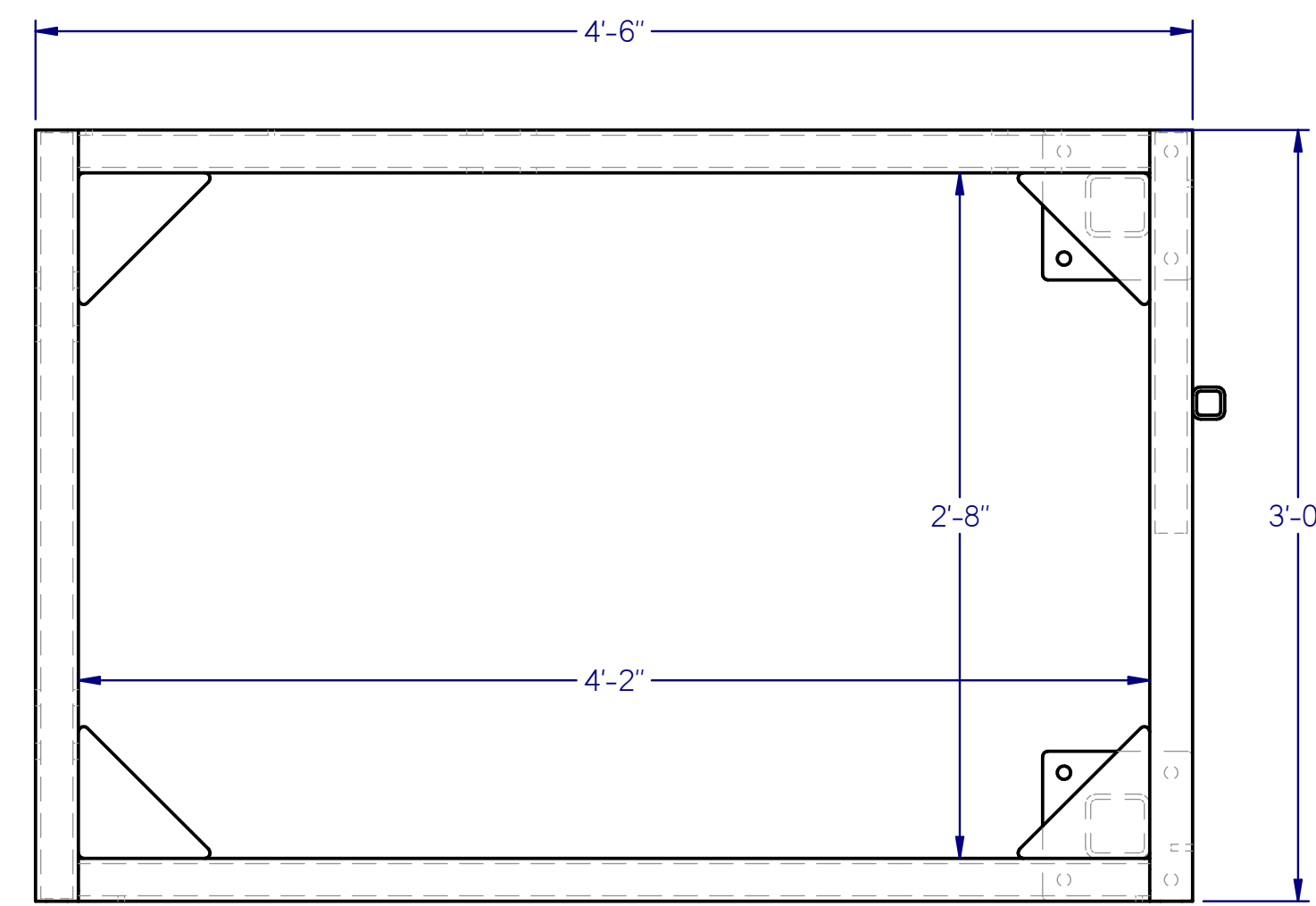
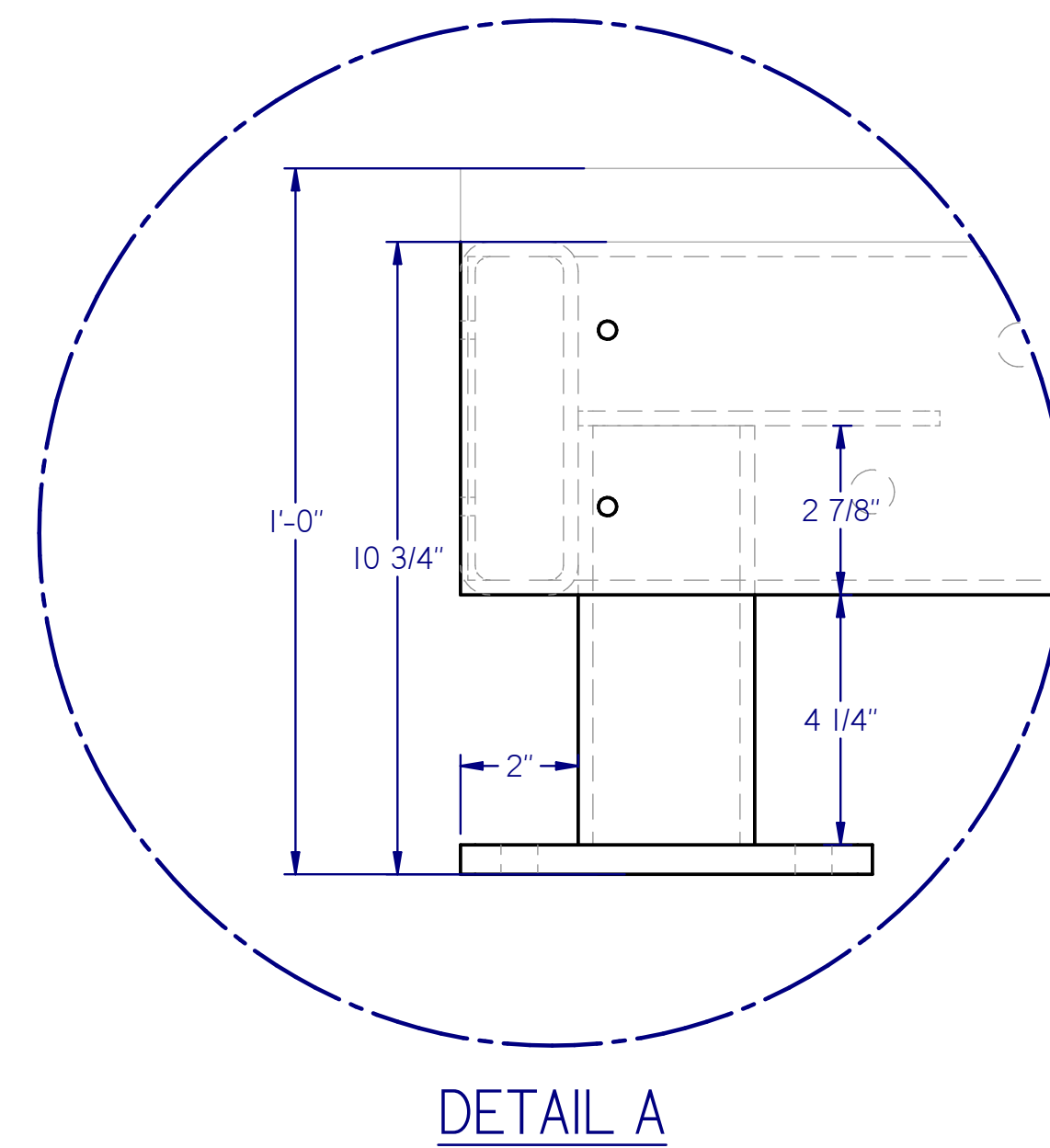
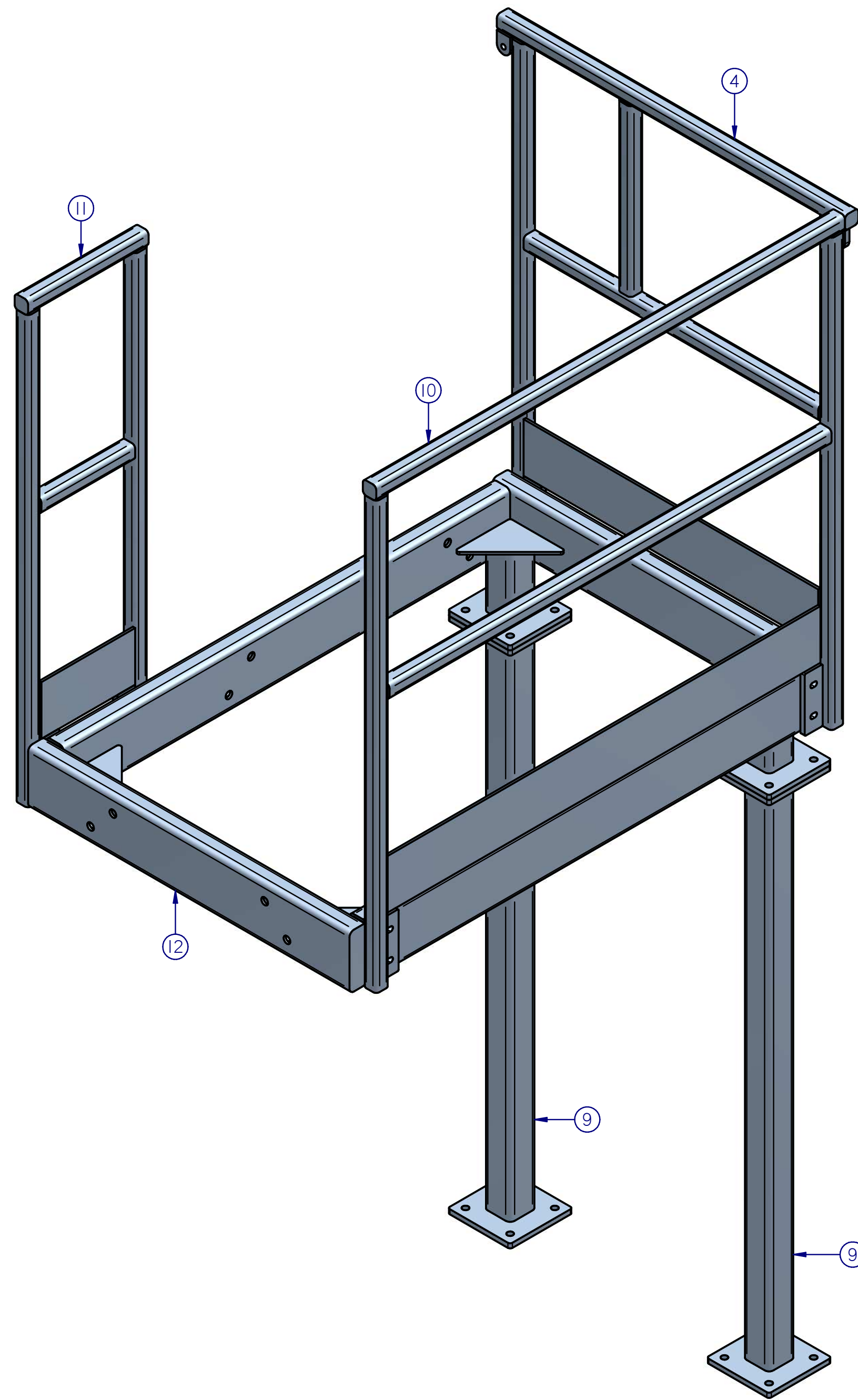
PDC ENERGY
PDC-1000
GRATING DETAILS

REVISIONS

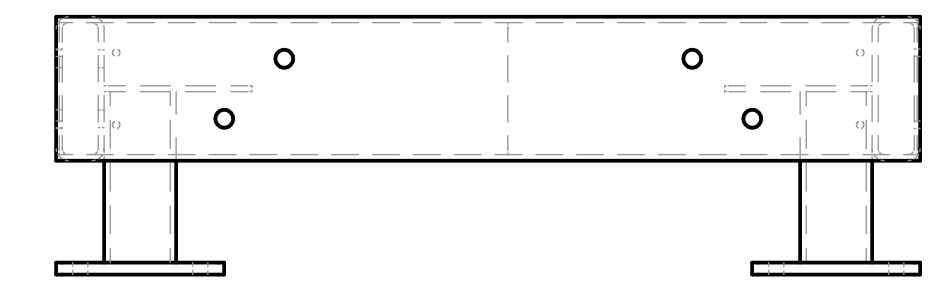
Rev:	Date:	Description:	By:	Approved:
FR 2.0	8/30/2018	ISSUED FOR REVIEW 2.0 - UPDATED PER P. E. L. REDLINES DATED 8/29/2018	WR	JY
FR 3.0	9/4/2018	ISSUED FOR REVIEW 3.0 - UPDATED PER P. E. L. AND ENGINEER REDLINES DATED 8/31/2018	WR	JY
IFC 1.0	9/7/2018	ISSUED FOR CONSTRUCTION	WR	JY
			NA	NA
			NA	NA
			NA	NA
			NA	NA

DRAWN BY: wrasmussen
ENGINEERED BY: J.S.Y., M.E.
APPROVED BY: _____
DATE: 7/25/2018
PROJECT NO. 217250-1-1 REV. IFC 1.0

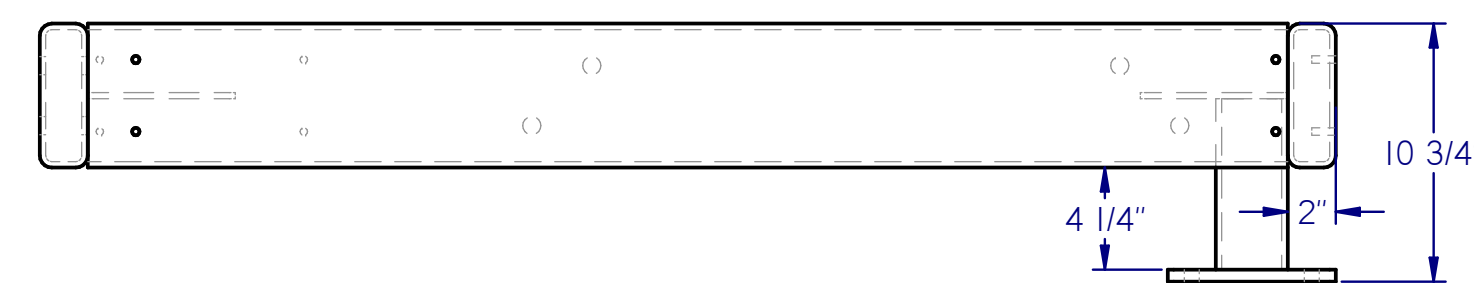
DRAWING NO. M-28
SHT 28 OF 45



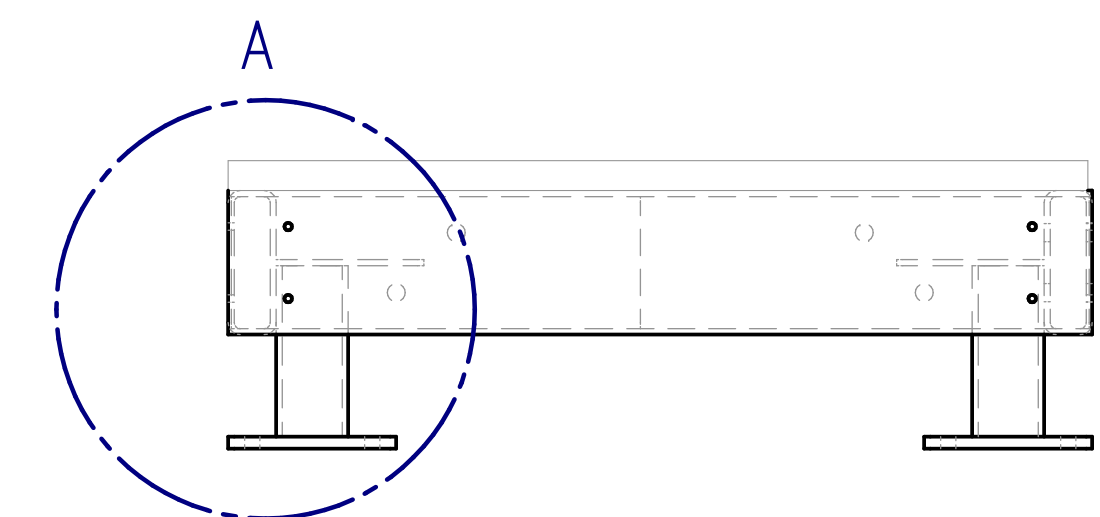
PLATFORM - PLAN VIEW



PLATFORM - LEFT VIEW



PLATFORM - FRONT VIEW



PLATFORM - RIGHT VIEW

3' X 4.5' LS LANDING PARTS LIST			
Item Number	Quantity	File Name	Ref.
4	1	217250 HANDRAIL E	SEE SHEET M-37
9	2	217250 REMV. PLATFORM SUPP. LEG	SEE SHEET M-30
10	1	217250 HANDRAIL F	SEE SHEET M-37
11	1	217250 HANDRAIL G	SEE SHEET M-37
12	1	3'x 4.5' LS LANDING	SEE SHEET M-30

1 3' X 4.5' LS LANDING (600 LBS)
1 EACH

THE ACCOMPANYING PROFESSIONAL ENGINEER'S SEAL APPLIES TO THE STRUCTURAL ELEMENTS ONLY



1511 SOUTH HIGHWAY 6, PRICE, UT 84501
PHONE: (435) 637-7160 FAX: (435) 637-9601

8221 EAST 96TH AVE, UNIT A, HENDERSON, CO 80640
PHONE: (720) 409-1000

100 VALLEY DRIVE, SOUTHPOINT, OH 45680
PHONE: (740) 414-4770 FAX: (606) 644-0432

400 SWAN AVENUE, CENTRALIA, IL 62801
PHONE: (618) 214-1063 FAX: (606) 644-0442

THIS DOCUMENT CONTAINS CONFIDENTIAL AND/OR PROPRIETARY INFORMATION. ANY USE, REVIEW, RETRANSMISSION, DISSEMINATION OR OTHER USE OF, OR PURSUING OF ANY ACTION IN RELIANCE UPON THIS INFORMATION IS STRICTLY PROHIBITED WITHOUT PROPER AUTHORIZATION FROM INTERMOUNTAIN ELECTRONICS.

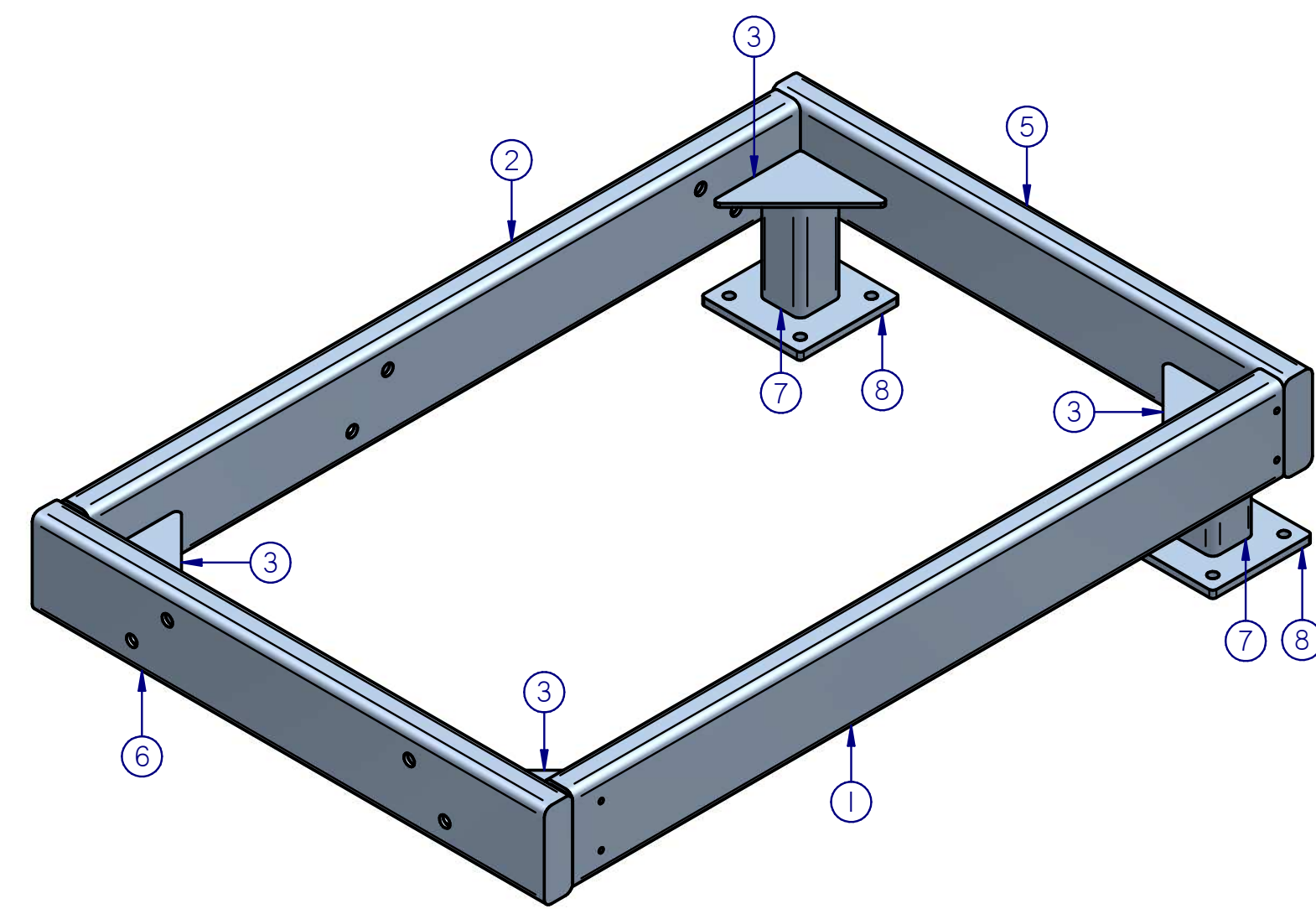
PDC ENERGY
PDC-1000
3' X 4.5' LS LANDING

REVISIONS

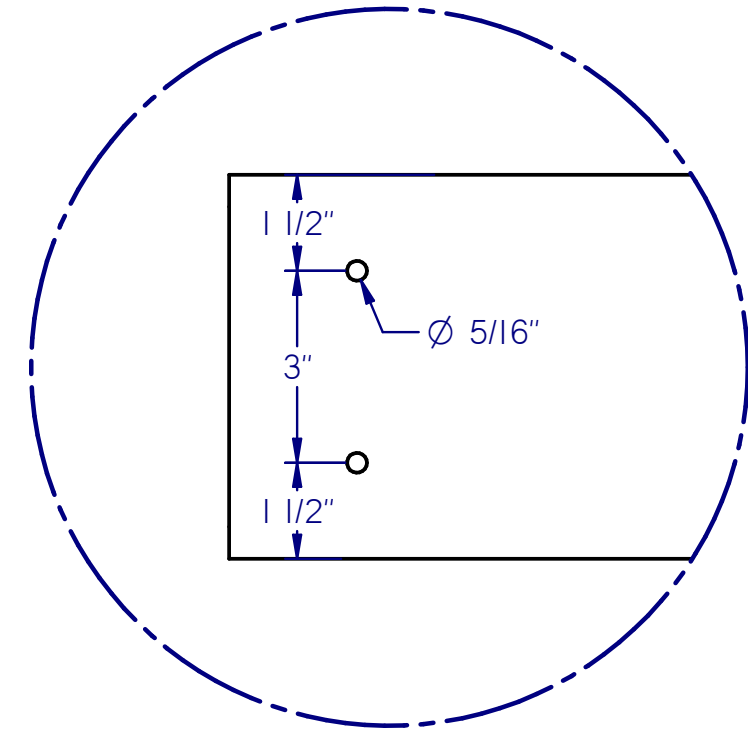
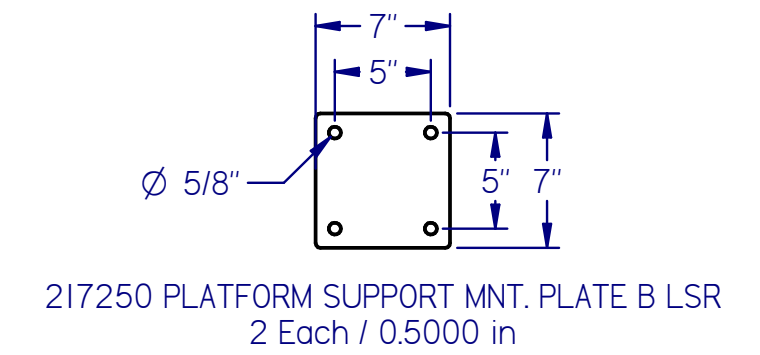
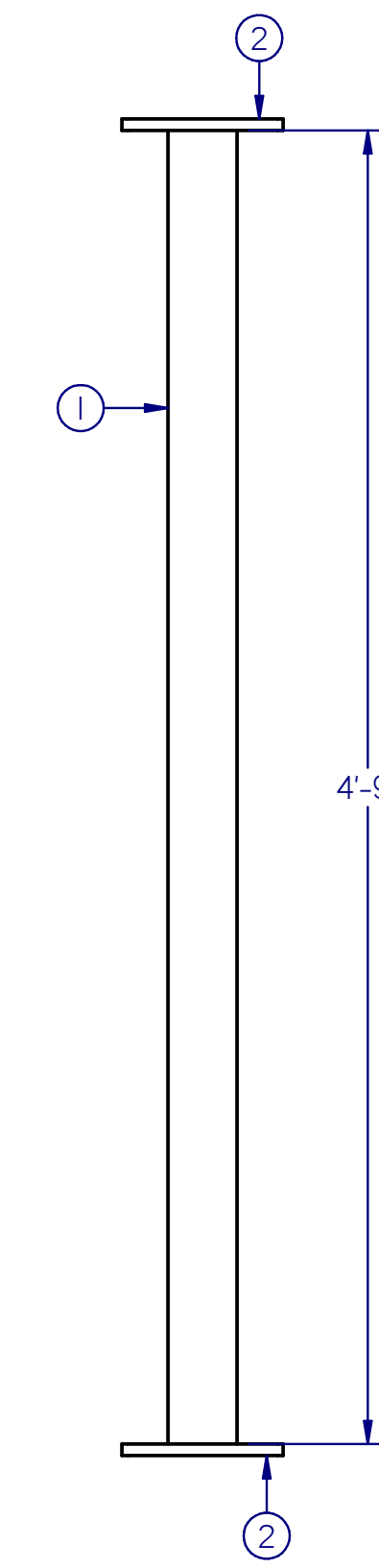
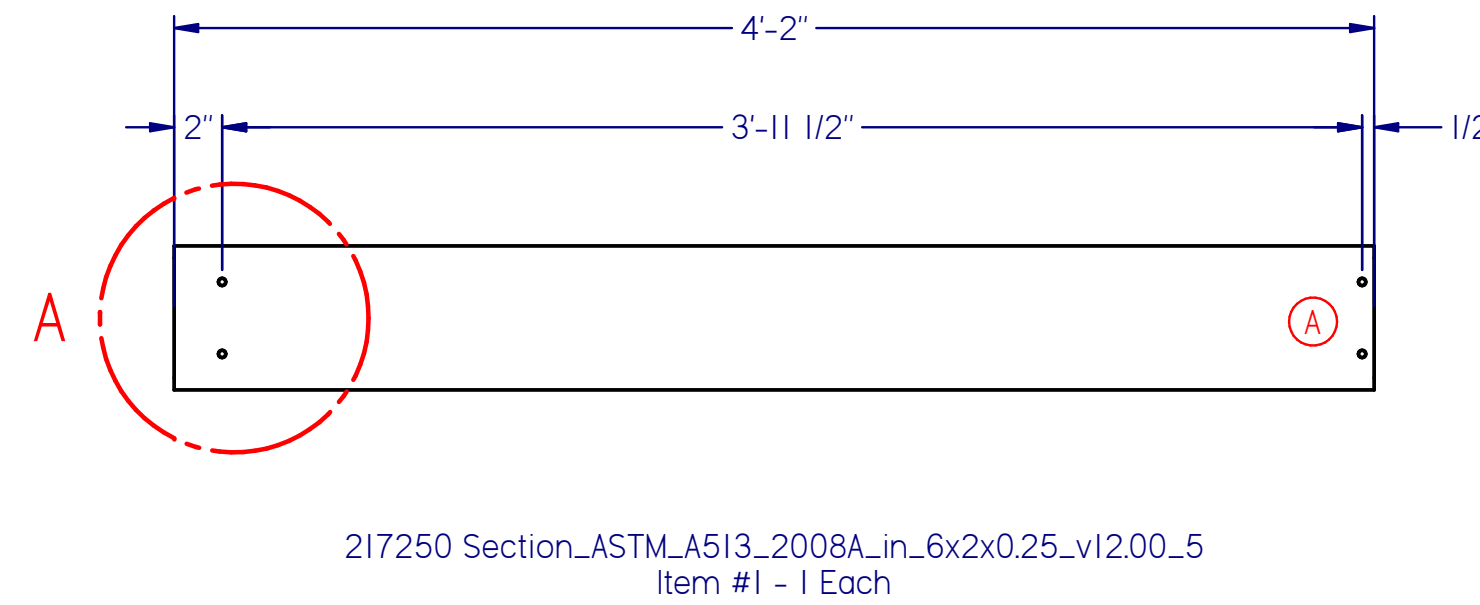
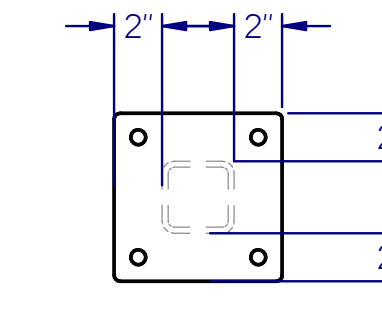
Rev:	Date:	Description:	By:	Approved:
FR 2.0	8/30/2018	ISSUED FOR REVIEW 2.0 - UPDATED PER P. E. L. REDLINES DATED 8/29/2018	WR	JY
FR 3.0	9/4/2018	ISSUED FOR REVIEW 3.0 - UPDATED PER P. E. L. AND ENGINEER REDLINES DATED 8/31/2018	WR	JY
IFC 1.0	9/7/2018	ISSUED FOR CONSTRUCTION	WR	JY
			NA	NA
			NA	NA
			NA	NA
			NA	NA

DRAWN BY: wrasmussen
ENGINEERED BY: J.S.Y., M.E.
APPROVED BY: -
DATE: 7/25/2018
PROJECT NO. 217250-1-1
REV. IFC 1.0

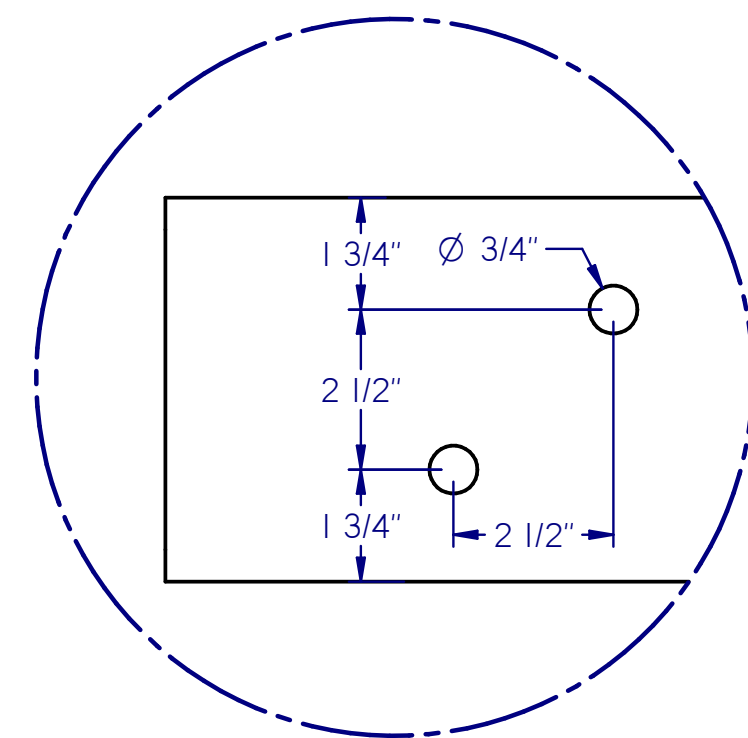
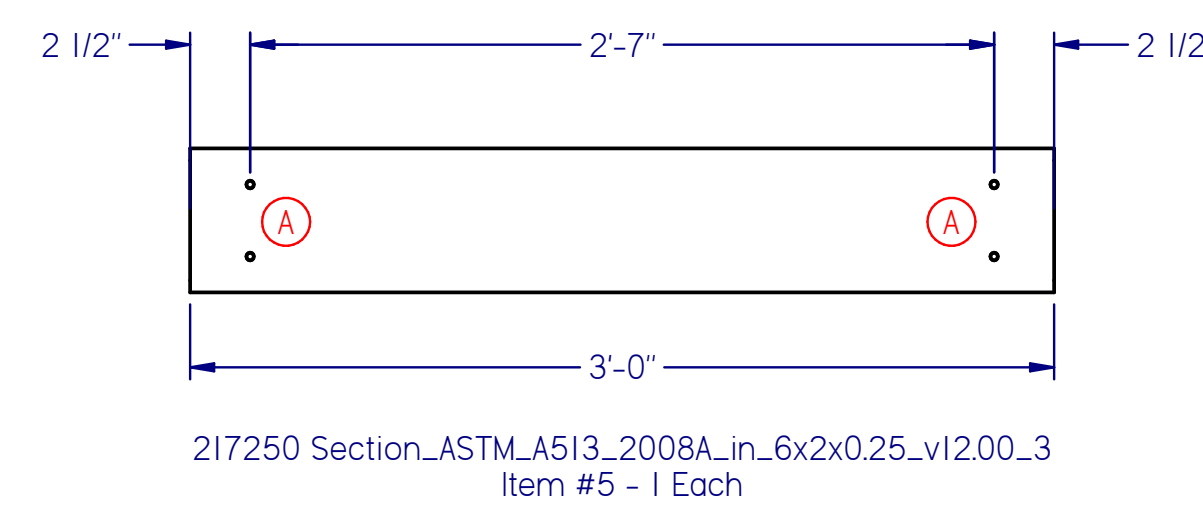
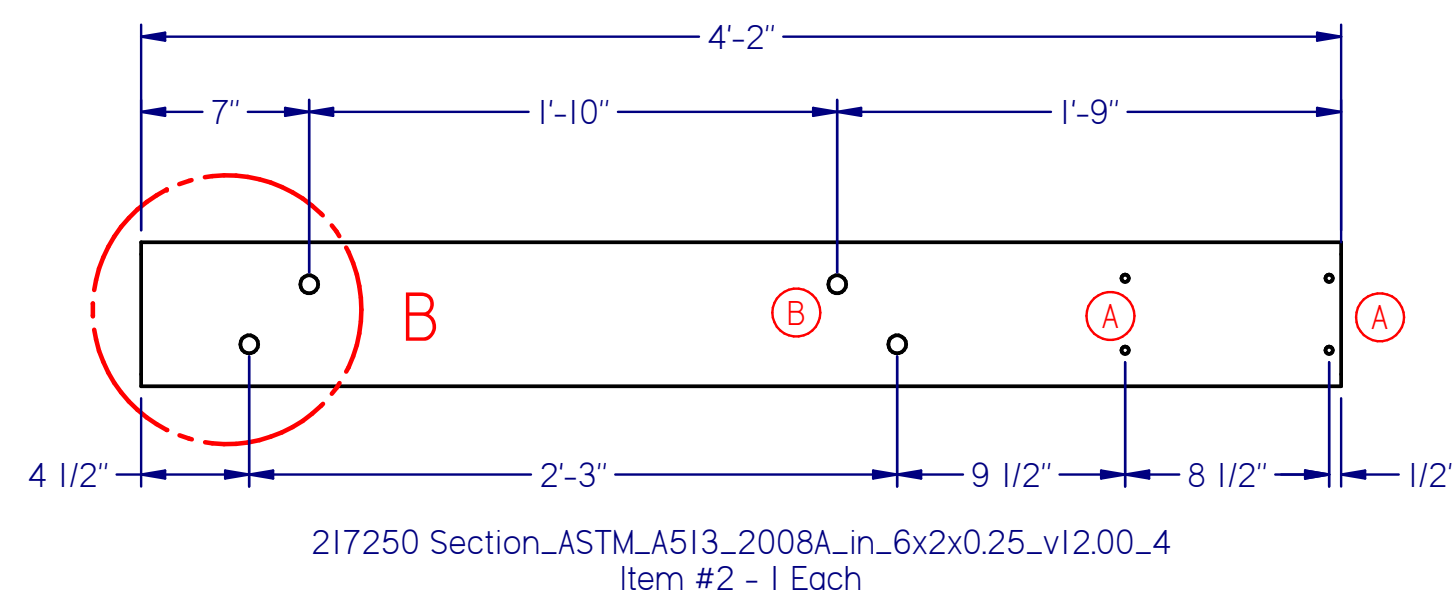
DRAWING NO. **M-29**
SHT 29 OF 45



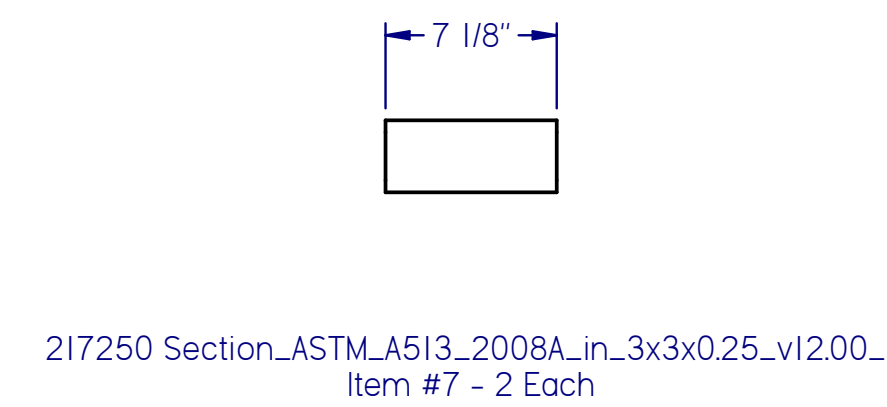
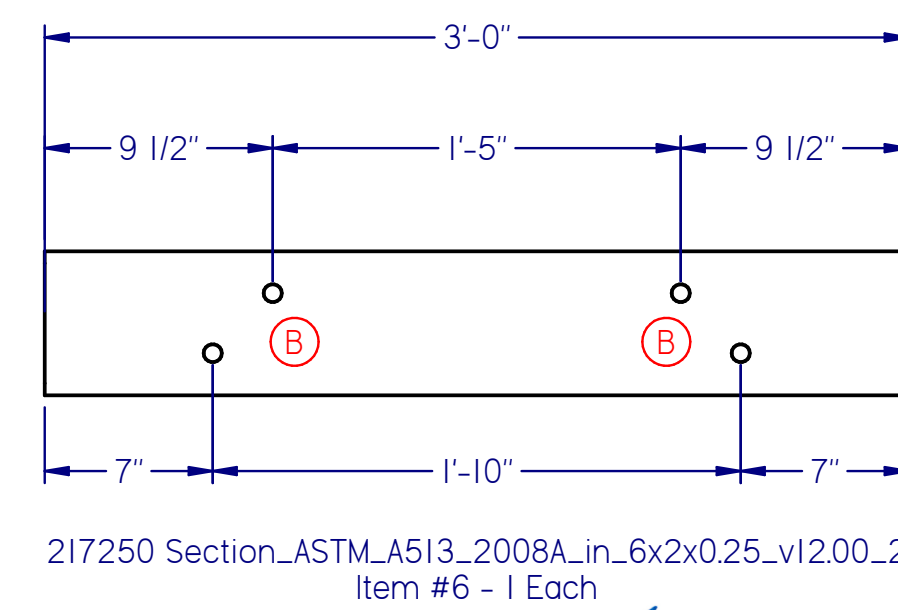
3' X 4.5' LS LANDING CUT LIST		
Item Number	Quantity	File Name
1	1	217250 Section_ASTM_A513_2008A_in_6x2x0.25_v12.00_5
2	1	217250 Section_ASTM_A513_2008A_in_6x2x0.25_v12.00_4
3	4	217250 PLATFORM CORNER GUSSETT LSR
5	1	217250 Section_ASTM_A513_2008A_in_6x2x0.25_v12.00_3
6	1	217250 Section_ASTM_A513_2008A_in_6x2x0.25_v12.00_2
7	2	217250 Section_ASTM_A513_2008A_in_3x3x0.25_v12.00_1
8	2	217250 PLATFORM SUPPORT MNT. PLATE A LSR



DETAIL A
TAP FOR 3/8"-16
HEX BOLT



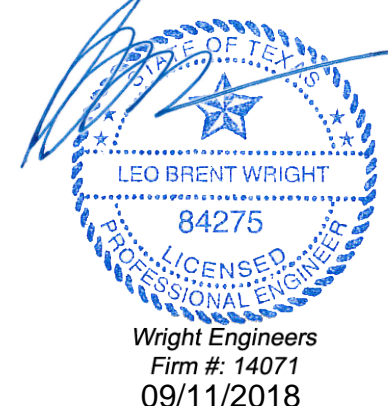
DETAIL B
THRU HOLE FOR
5/8"-11 HEX BOLT



REMOVABLE PLATFORM SUPPORT LEG
8 EACH

REMOVABLE PLATFORM SUPPORT LEG PARTS LIST			
Item Number	Quantity	File Name	Length
1	1	217250 Section_ASTM_A513_2008A_in_3x3x0.25_v12.00	4'-9"
2	2	217250 PLATFORM SUPPORT MNT. PLATE B LSR	N/A

THE ACCOMPANYING PROFESSIONAL ENGINEER'S SEAL APPLIES TO THE STRUCTURAL ELEMENTS ONLY



1511 SOUTH HIGHWAY 6, PRICE, UT 84501
PHONE: (435) 637-7160 FAX: (435) 637-9601
8221 EAST 96TH AVE, UNIT A, HENDERSON, CO 80640
PHONE: (720) 409-1000
100 VALLEY DRIVE, SOUTHPOINT, OH 45680
PHONE: (740) 414-4770 FAX: (606) 644-0432
400 SWAN AVENUE, CENTRALIA, IL 62801
PHONE: (618) 214-1063 FAX: (606) 644-0442

THIS DOCUMENT CONTAINS CONFIDENTIAL AND/OR PROPRIETARY INFORMATION. ANY USE, REVIEW, RETRANSMISSION, DISSEMINATION OR OTHER USE OF, OR PURSUING OF ANY ACTION IN RELIANCE UPON THIS INFORMATION IS STRICTLY PROHIBITED WITHOUT PROPER AUTHORIZATION FROM INTERMOUNTAIN ELECTRONICS.

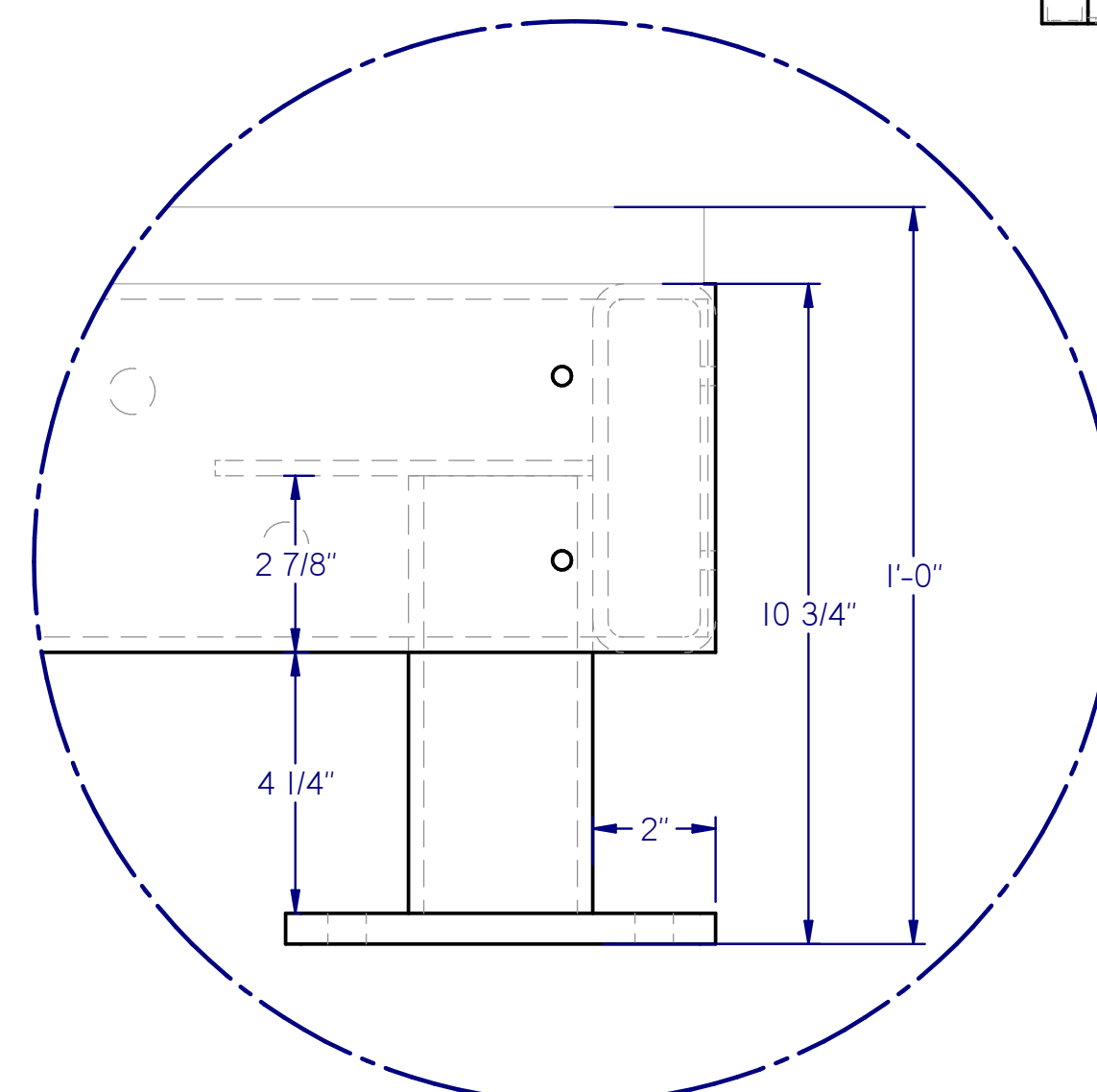
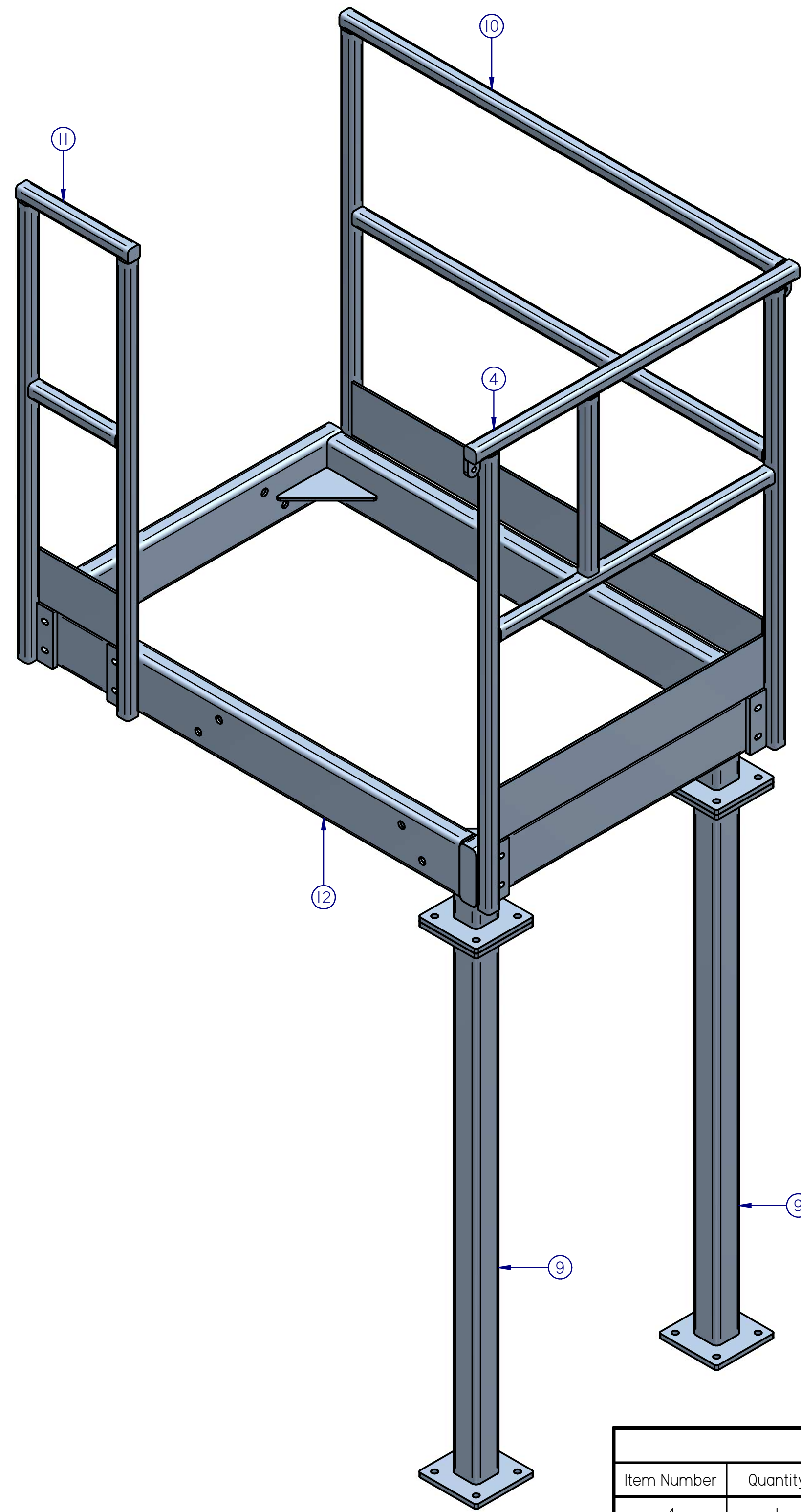
PDC ENERGY
PDC-1000
3' X 4.5' LS LANDING CUT LIST

REVISIONS

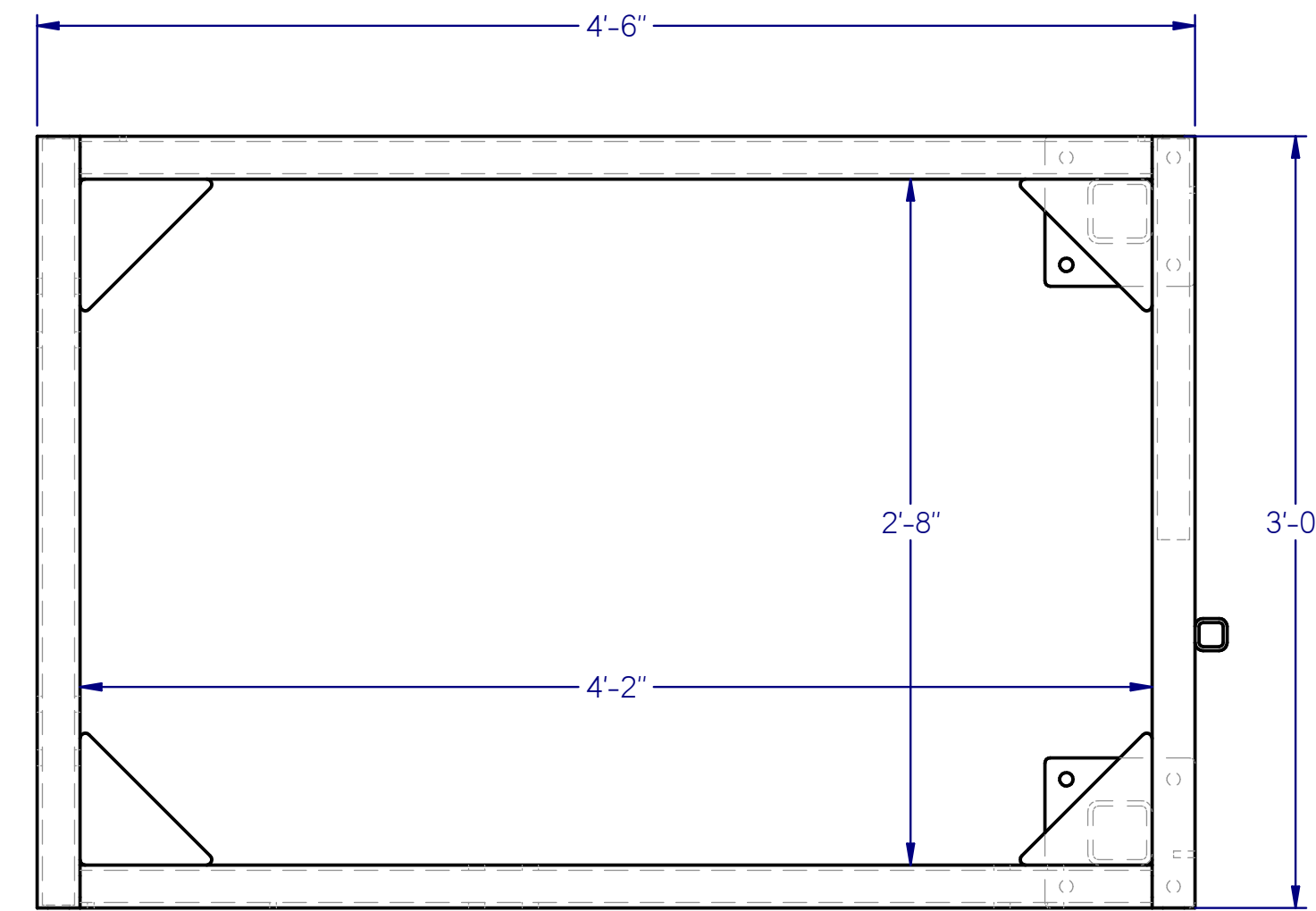
Rev.	Date	Description	By	Approved
FR 2.0	8/30/2018	ISSUED FOR REVIEW 2.0 - UPDATED PER P. E. L. REDLINES DATED 8/29/2018	WR	JY
FR 3.0	9/4/2018	ISSUED FOR REVIEW 3.0 - UPDATED PER P. E. L. AND ENGINEER REDLINES DATED 8/31/2018	WR	JY
IFC 1.0	9/7/2018	ISSUED FOR CONSTRUCTION	WR	JY
			NA	NA
			NA	NA
			NA	NA
			NA	NA

DRAWN BY: wasmussen
ENGINEERED BY: J.S.Y., M.E.
APPROVED BY: _____
DATE: 7/25/2018
PROJECT NO. 217250-1-1
REV. IFC 1.0

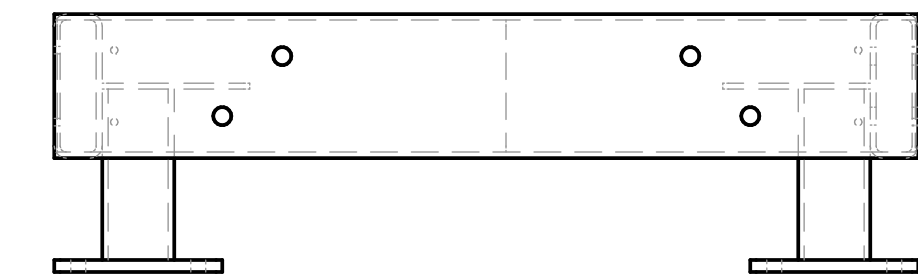
DRAWING NO. M-30
SHT 30 OF 45



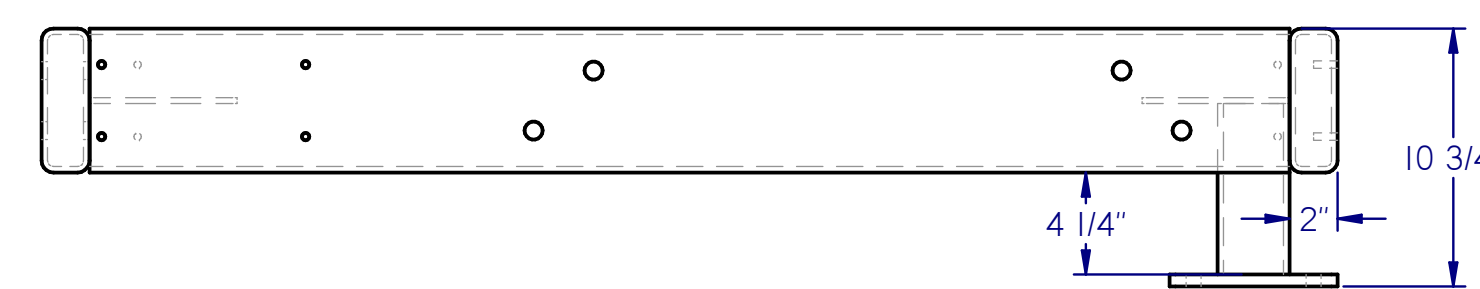
DETAIL A



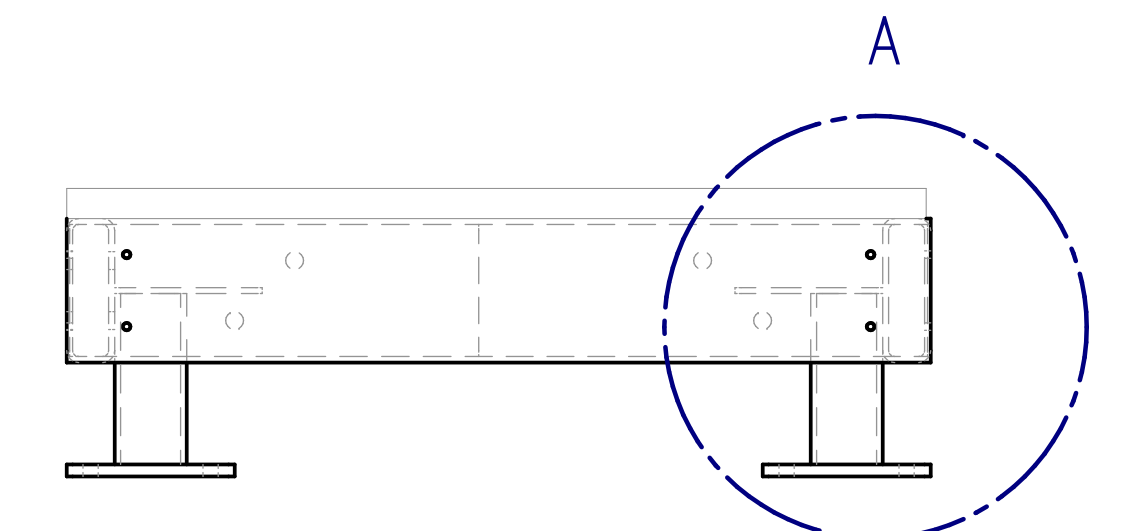
PLATFORM - PLAN VIEW



PLATFORM - LEFT VIEW



PLATFORM - FRONT VIEW



PLATFORM - RIGHT VIEW

3' X 4.5' RS LANDING PARTS LIST			
Item Number	Quantity	File Name	Ref.
4	1	217250 HANDRAIL D	SEE SHEET M-37
9	2	217250 REMV. PLATFORM SUPP. LEG	SEE SHEET M-30
10	1	217250 HANDRAIL F	SEE SHEET M-37
11	1	217250 HANDRAIL G	SEE SHEET M-37
12	1	3' X 4.5' RS LANDING	SEE SHEET M-32

② **3' X 4.5' RS LANDING (600 LBS)**
1 EACH



1511 SOUTH HIGHWAY 6, PRICE, UT 84501
PHONE: (435) 637-7160 FAX: (435) 637-9601

8221 EAST 96TH AVE, UNIT A, HENDERSON, CO 80640
PHONE: (720) 409-1000

100 VALLEY DRIVE, SOUTHPOINT, OH 45680
PHONE: (740) 414-4770 FAX: (606) 644-0432

400 SWAN AVENUE, CENTRALIA, IL 62801
PHONE: (618) 214-1063 FAX: (606) 644-0442

THIS DOCUMENT CONTAINS
CONFIDENTIAL AND/OR
PROPRIETARY INFORMATION.
ANY USE, REVIEW,
RETRANSMISSION,
DISSEMINATION OR OTHER
USE OF, OR PURSUING OF ANY
ACTION IN RELIANCE UPON THIS
INFORMATION IS STRICTLY
PROHIBITED WITHOUT PROPER
AUTHORIZATION FROM
INTERMOUNTAIN ELECTRONICS.

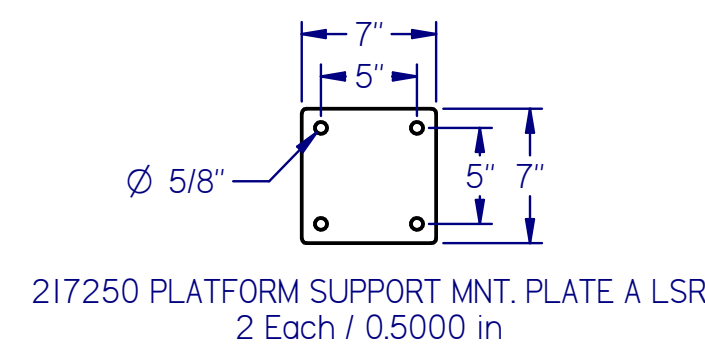
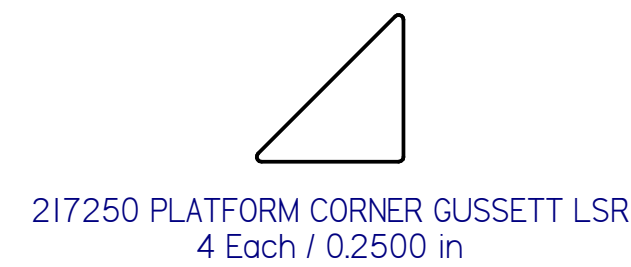
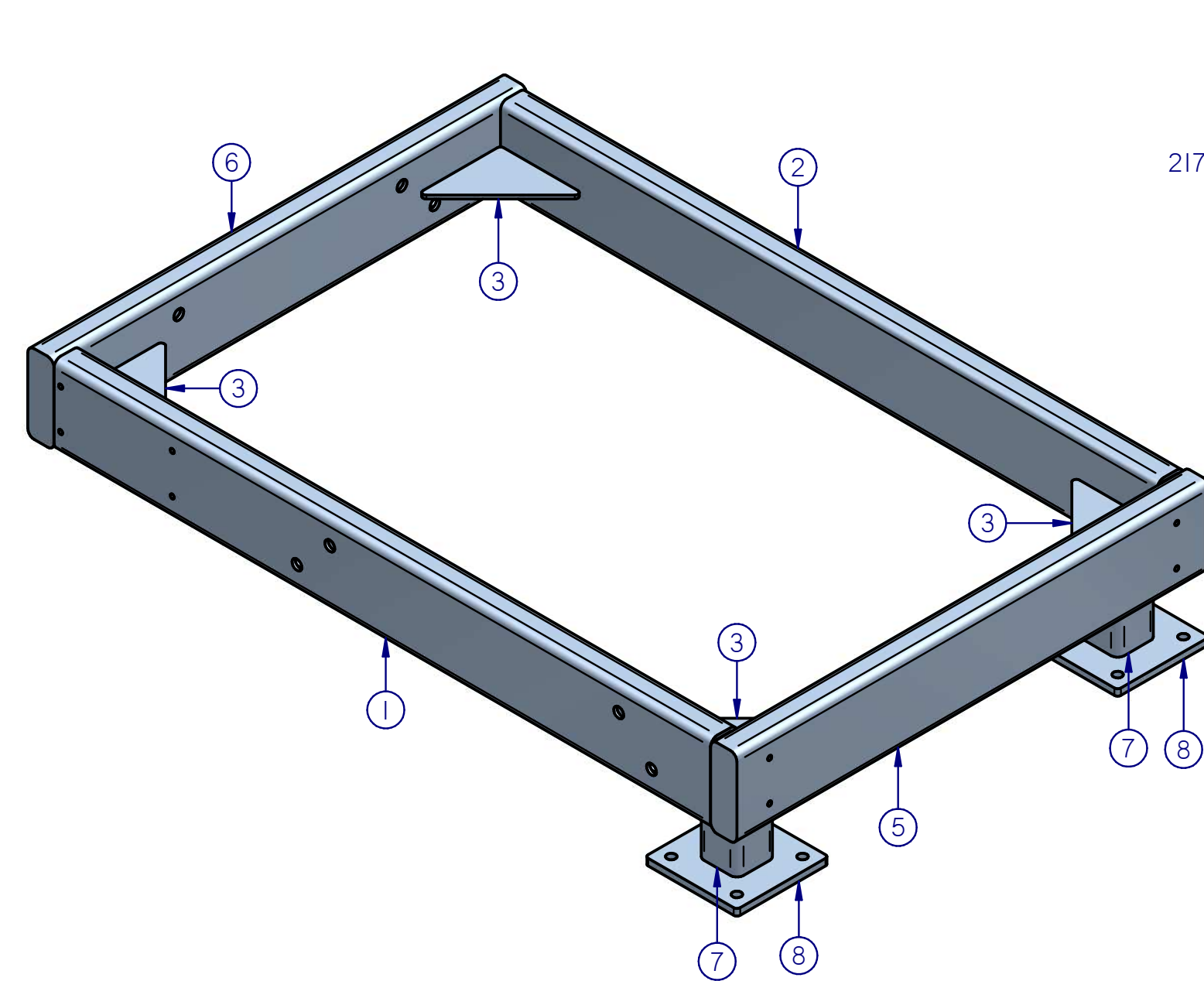
PDC ENERGY
PDC-1000
3' X 4.5' RS LANDING

REVISIONS

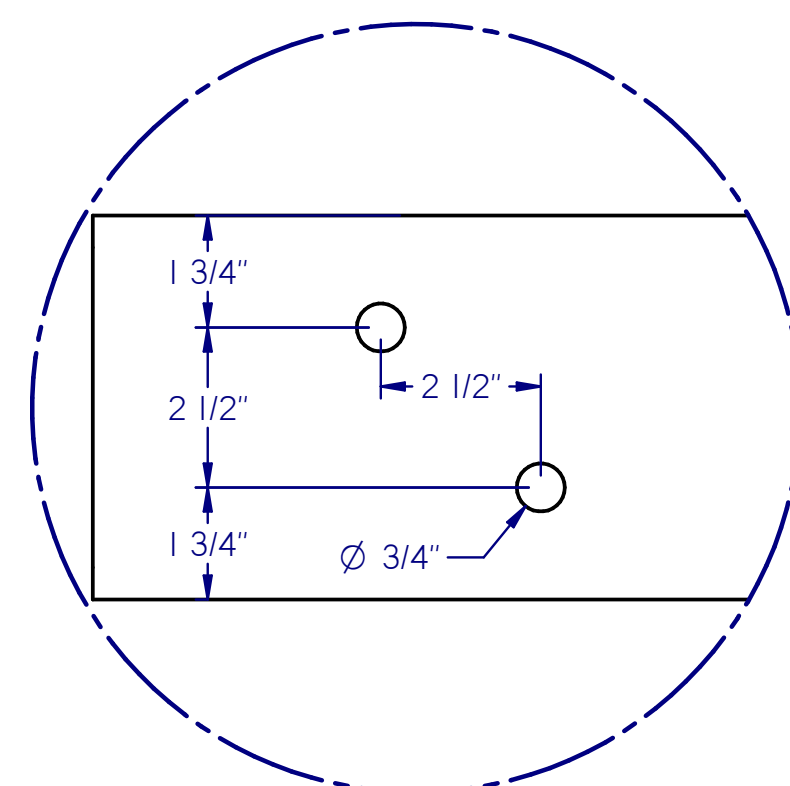
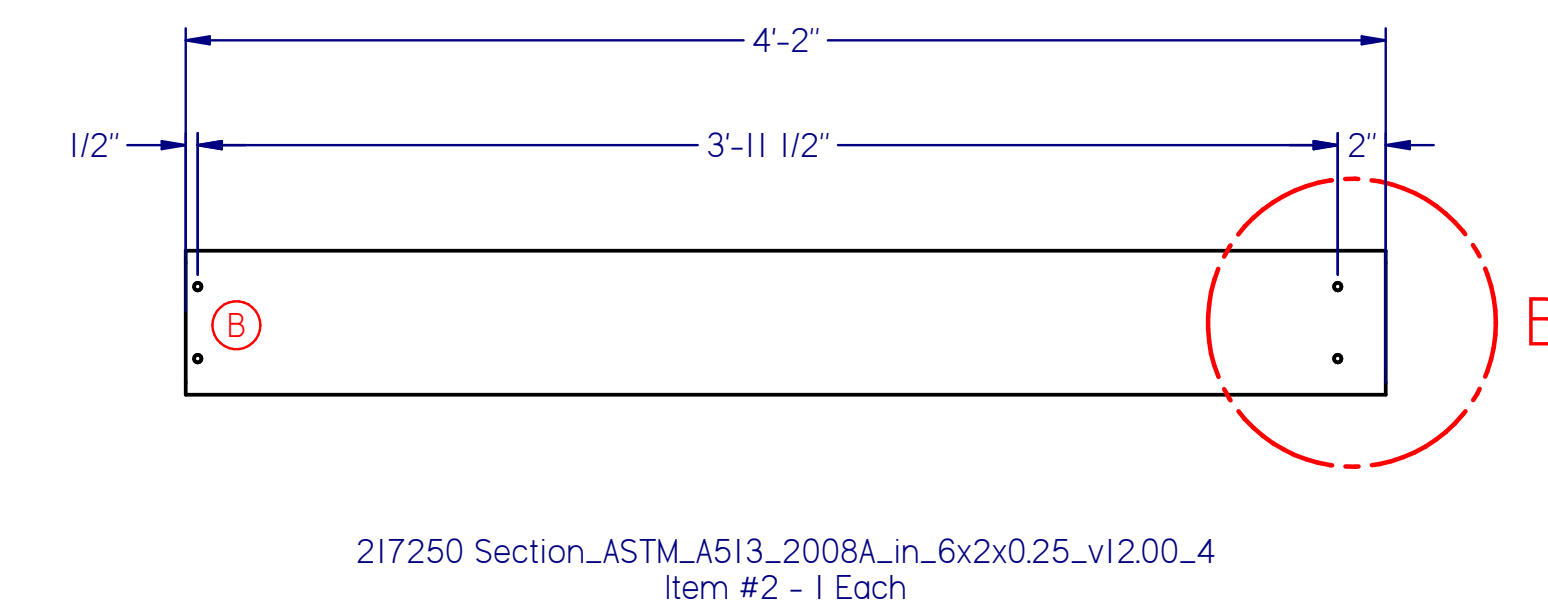
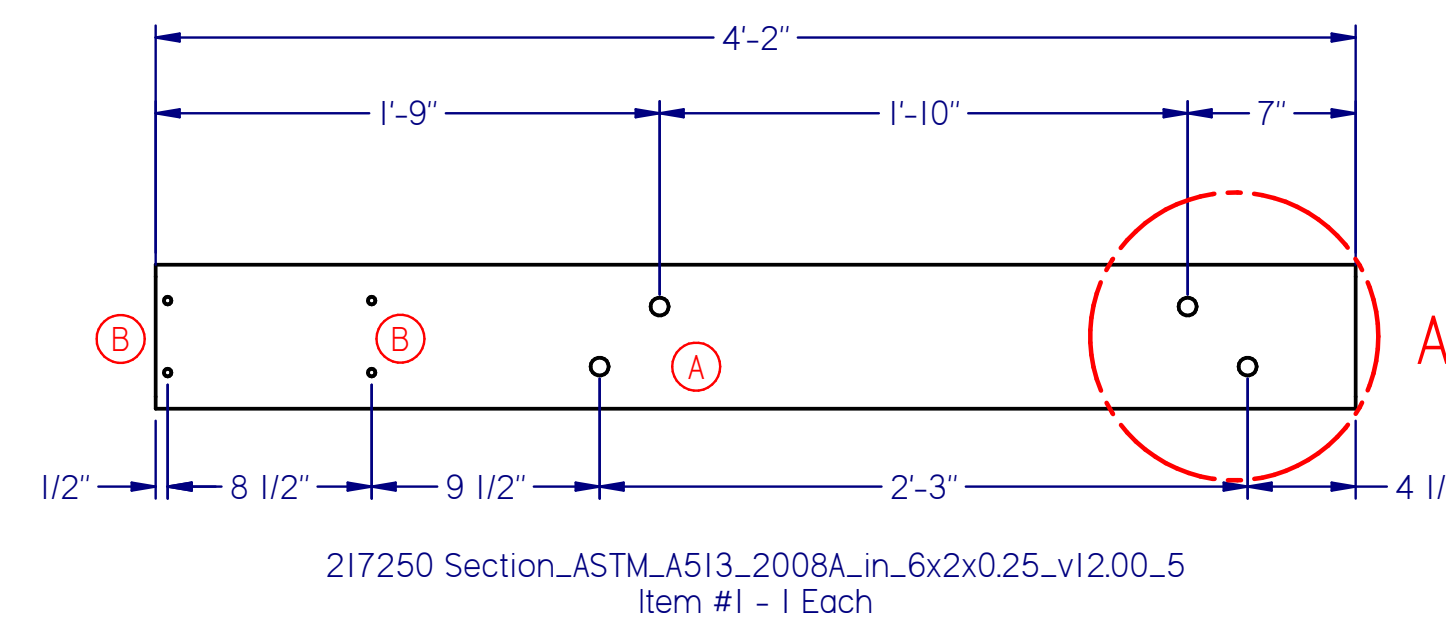
Rev.	Date:	Description:	By:	Approved:
FR 2.0	8/30/2018	ISSUED FOR REVIEW 2.0 - UPDATED PER P. E. L. REDLINES DATED 8/29/2018	WR	JY
FR 3.0	9/4/2018	ISSUED FOR REVIEW 3.0 - UPDATED PER P. E. L. AND ENGINEER REDLINES DATED 8/31/2018	WR	JY
IFC 1.0	9/7/2018	ISSUED FOR CONSTRUCTION	WR	JY
			NA	NA
			NA	NA
			NA	NA
			NA	NA

DRAWN BY: wrasmussen
ENGINEERED BY: J.S.Y., M.E.
APPROVED BY: _____
DATE: 7/25/2018
PROJECT NO. 217250-1-1 REV. IFC 1.0

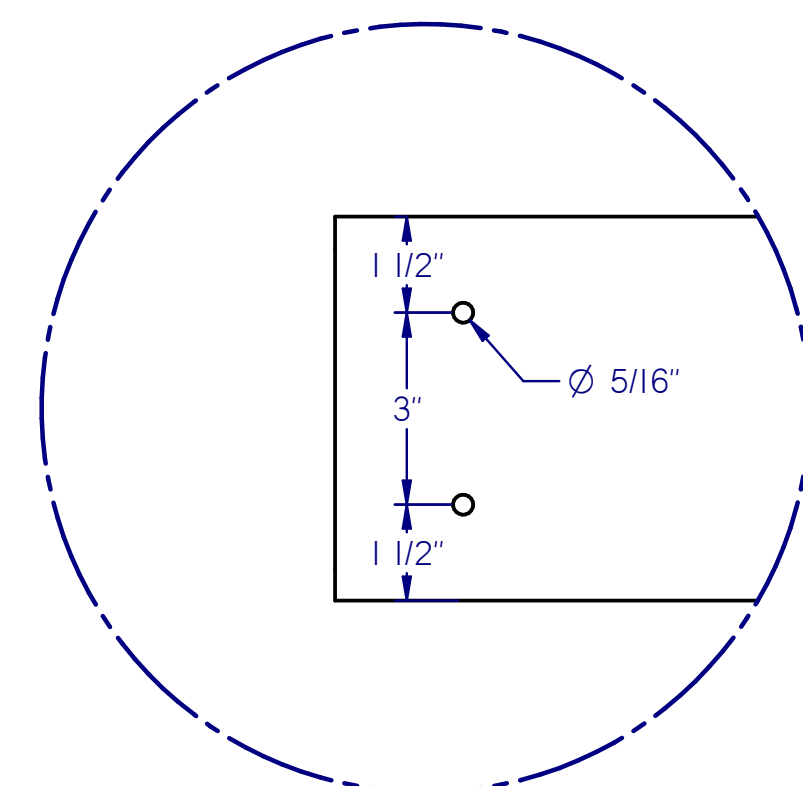
DRAWING NO. M-31
SHT 31 OF 45



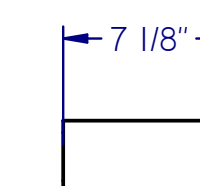
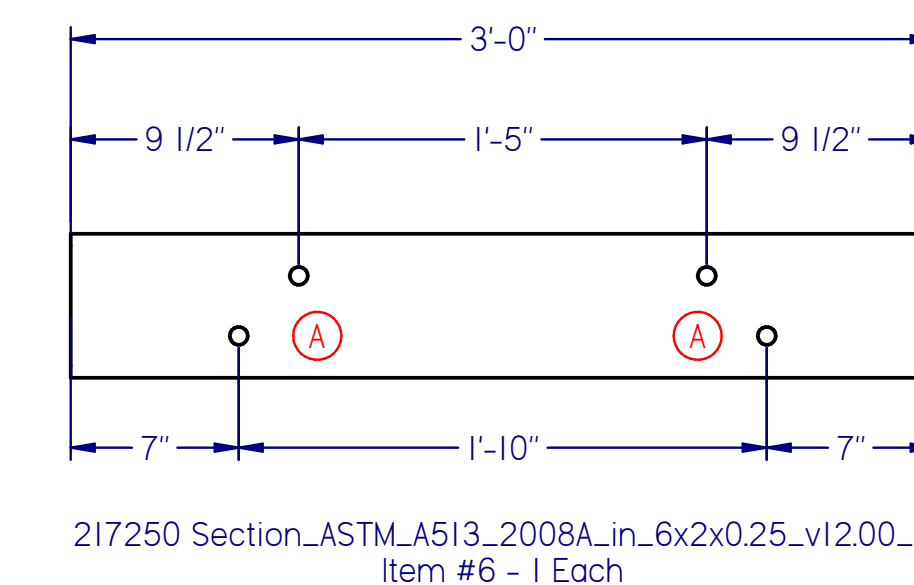
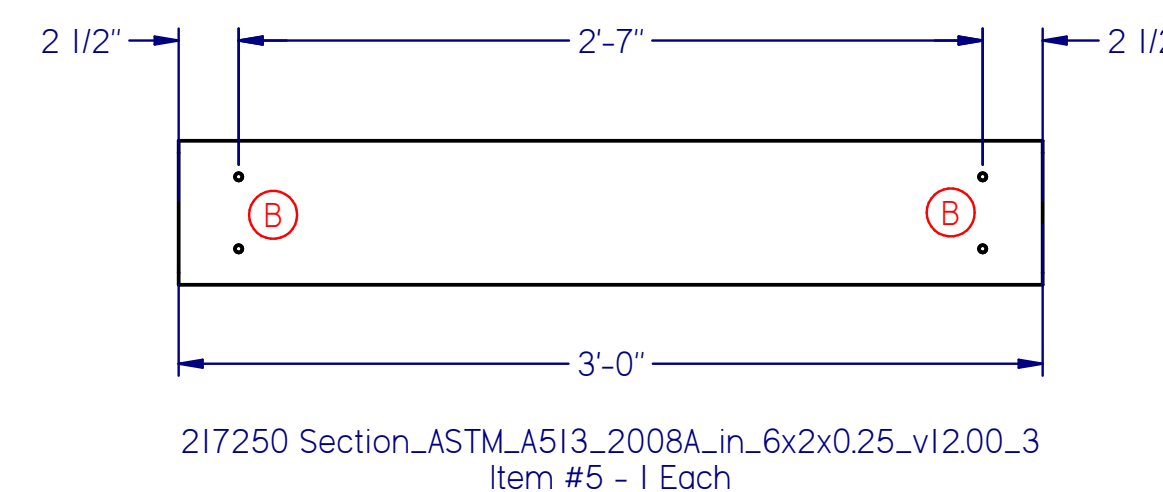
3' X 4.5' RS LANDING CUT LIST		
Item Number	Quantity	File Name
1	1	217250 Section_ASTM_A513_2008A_in_6x2x0.25_v12.00_5
2	1	217250 Section_ASTM_A513_2008A_in_6x2x0.25_v12.00_4
3	4	217250 PLATFORM CORNER GUSSETT LSR
5	1	217250 Section_ASTM_A513_2008A_in_6x2x0.25_v12.00_3
6	1	217250 Section_ASTM_A513_2008A_in_6x2x0.25_v12.00_2
7	2	217250 Section_ASTM_A513_2008A_in_3x3x0.25_v12.00_1
8	2	217250 PLATFORM SUPPORT MNT. PLATE A LSR



DETAIL A
THRU HOLE FOR
5/8"-11 HEX BOLT



DETAIL B
TAP FOR 3/8"-16
HEX BOLT



217250 Section_ASTM_A513_2008A_in_3x3x0.25_v12.00_1
Item #7 - 2 Each

THE ACCOMPANYING PROFESSIONAL
ENGINEER'S SEAL APPLIES TO THE
STRUCTURAL ELEMENTS ONLY.



1511 SOUTH HIGHWAY 6, PRICE, UT 84501
PHONE: (435) 637-7160 FAX: (435) 637-9601
8221 EAST 96TH AVE, UNIT A, HENDERSON, CO 80640
PHONE: (720) 409-1000
100 VALLEY DRIVE, SOUTHPOINT, OH 45680
PHONE: (740) 414-4770 FAX: (606) 644-0432
400 SWAN AVENUE, CENTRALIA, IL 62801
PHONE: (618) 214-1063 FAX: (606) 644-0442

THIS DOCUMENT CONTAINS
CONFIDENTIAL AND/OR
PROPRIETARY INFORMATION.
ANY USE, REVIEW,
RETRANSMISSION,
DISSEMINATION OR OTHER
USE OF, OR PURSUING OF ANY
ACTION IN RELIANCE UPON THIS
INFORMATION IS STRICTLY
PROHIBITED WITHOUT PROPER
AUTHORIZATION FROM
INTERMOUNTAIN ELECTRONICS.

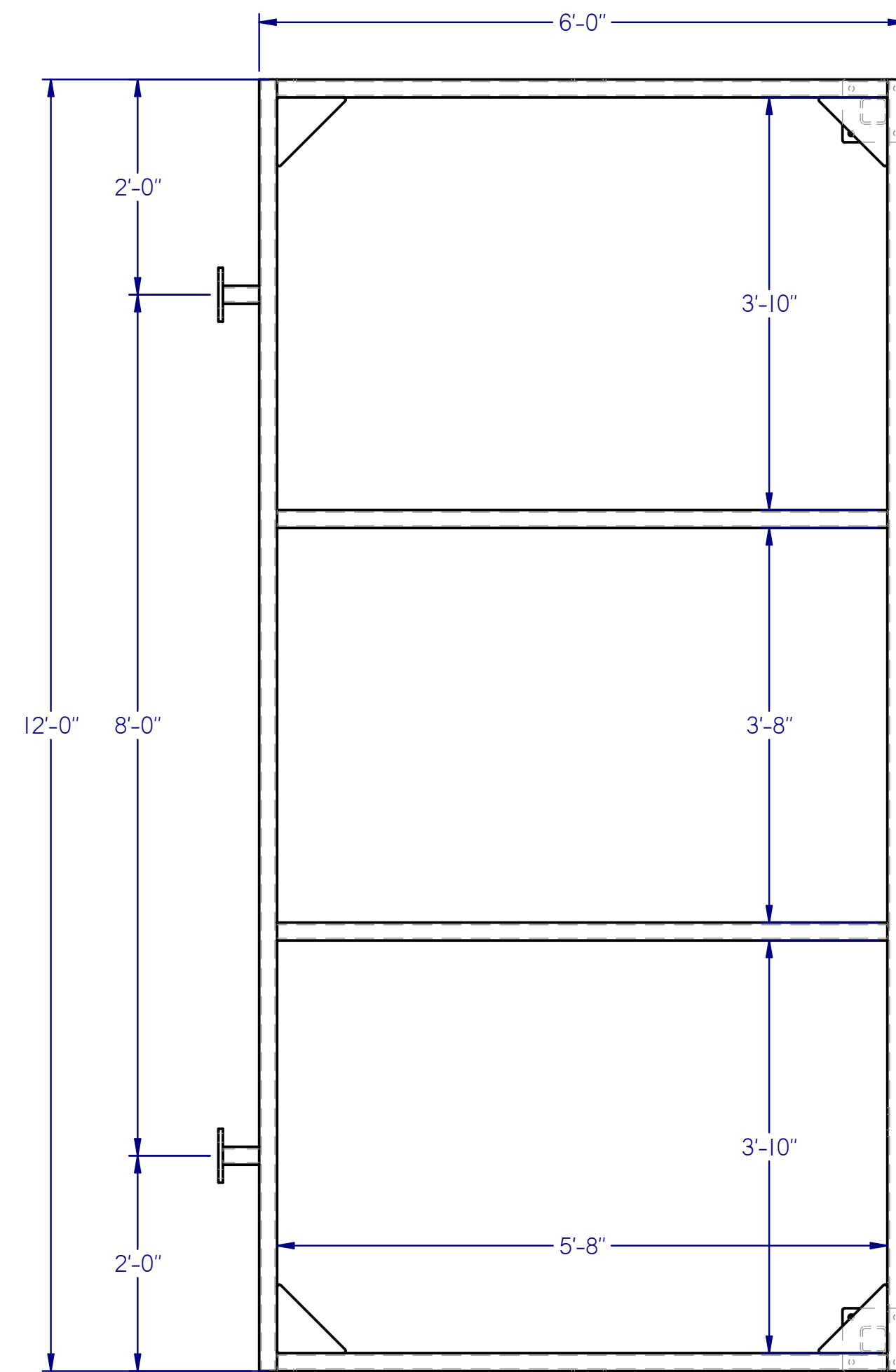
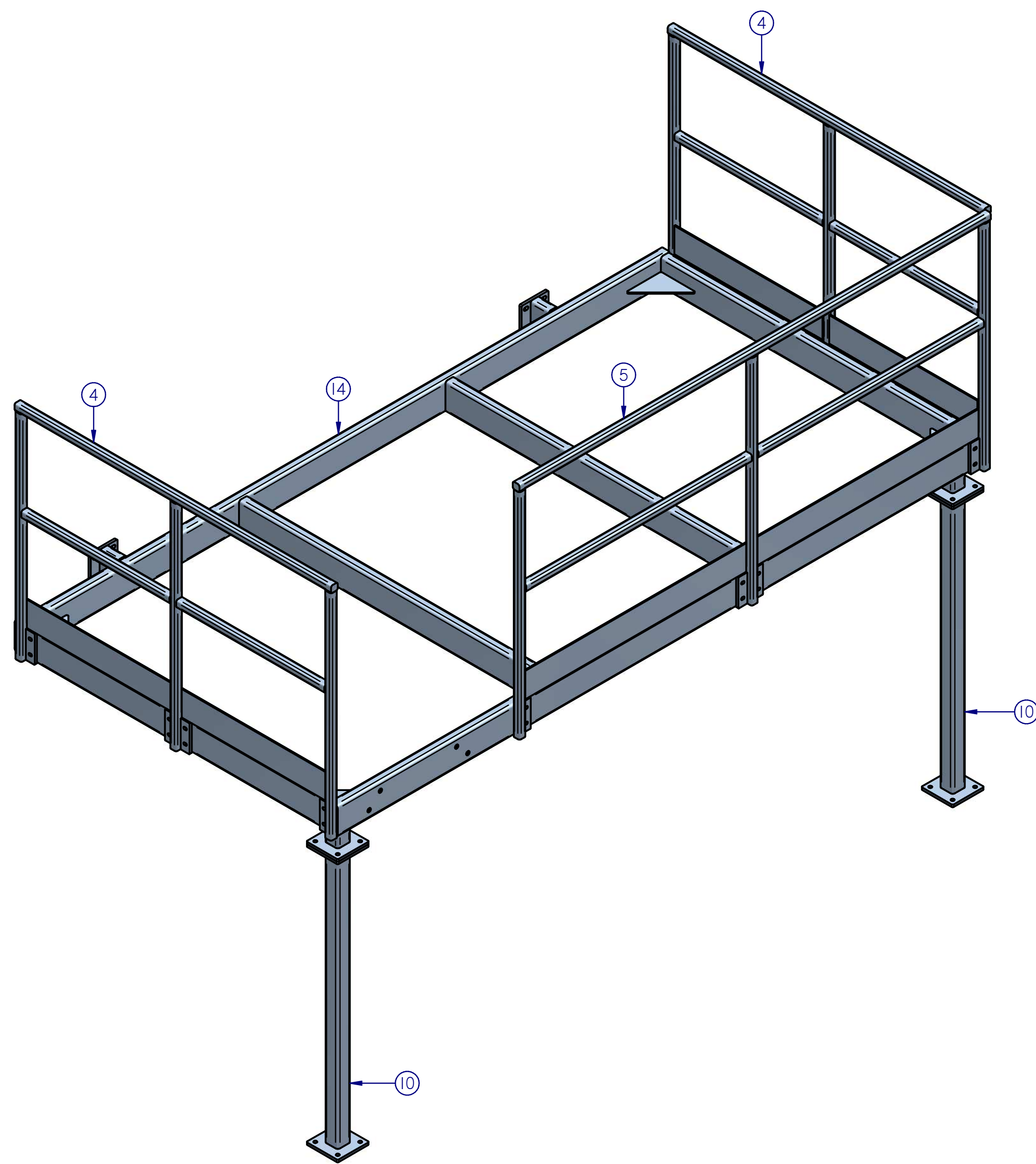
PDC ENERGY
PDC-1000
3' X 4.5' RS LANDING CUT LIST

REVISIONS

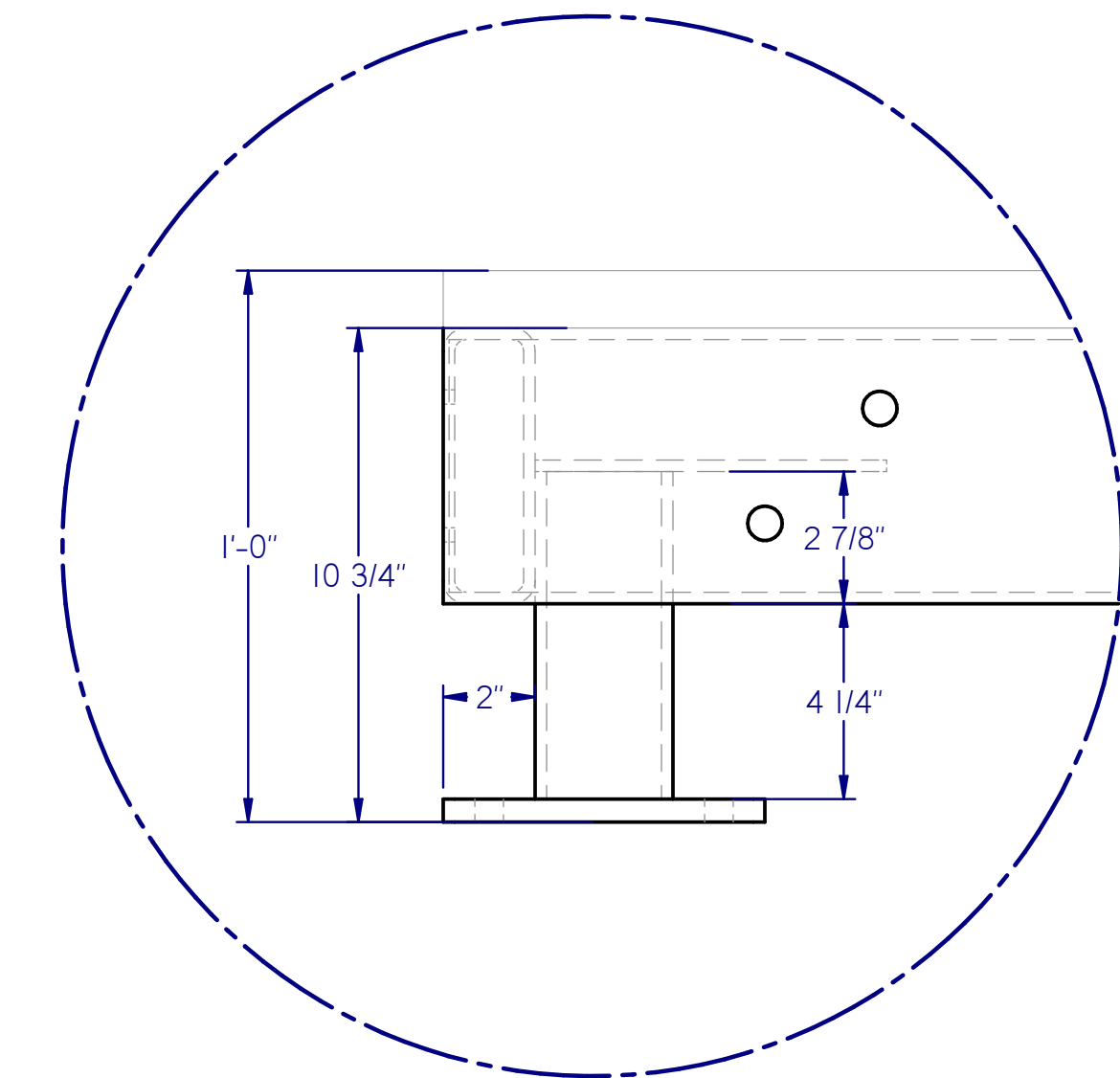
Rev:	Date:	Description:	By:	Approved:
FR 2.0	8/30/2018	ISSUED FOR REVIEW 2.0 - UPDATED PER P. E. L. REDLINES DATED 8/29/2018	WR	JY
FR 3.0	9/4/2018	ISSUED FOR REVIEW 3.0 - UPDATED PER P. E. L. AND ENGINEER REDLINES DATED 8/31/2018	WR	JY
IFC 1.0	9/7/2018	ISSUED FOR CONSTRUCTION	WR	JY
			NA	NA
			NA	NA
			NA	NA
			NA	NA

DRAWN BY: wrasmussen
ENGINEERED BY: J.S.Y., M.E.
APPROVED BY: -
DATE: 7/25/2018
PROJECT NO. 217250-1-1
REV. IFC 1.0

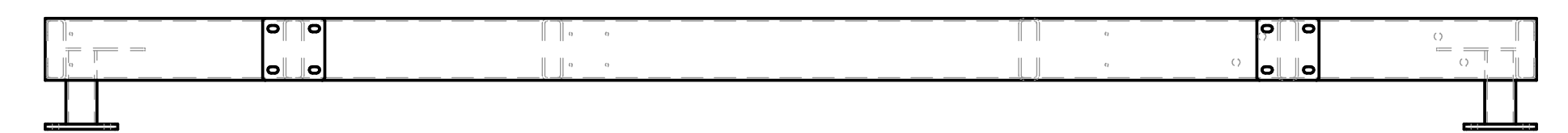
DRAWING NO. **M-32**
SHT **32** OF **45**



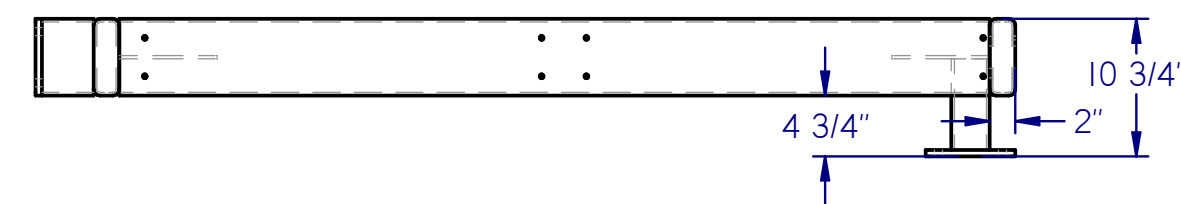
PLATFORM - TOP VIEW



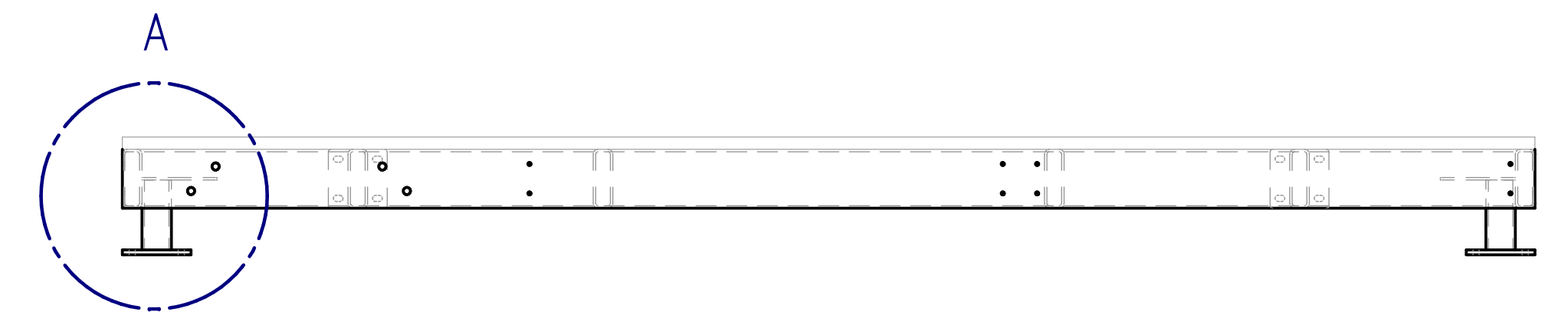
DETAIL A



PLATFORM - REAR VIEW



PLATFORM - SIDE VIEW



PLATFORM - FRONT VIEW

6' X 12' LS LANDING PARTS LIST			
Item Number	Quantity	File Name	Ref.
4	2	217250 HANDRAIL C	SEE SHEET M-37
5	1	217250 HANDRAIL A.LS	SEE SHEET M-37
10	2	217250 REMV. PLATFORM SUPP. LEG	SEE SHEET M-30
14	1	6' X 12' LS LANDING	SEE SHEET M-34

③ 6' X 12' LS LANDING (1,750 LBS)
1 EACH



1511 SOUTH HIGHWAY 6, PRICE, UT 84501
PHONE: (435) 637-7160 FAX: (435) 637-9601

8221 EAST 96TH AVE, UNIT A, HENDERSON, CO 80640
PHONE: (720) 409-1000

100 VALLEY DRIVE, SOUTHPOINT, OH 45680
PHONE: (740) 414-4770 FAX: (606) 644-0432

400 SWAN AVENUE, CENTRALIA, IL 62801
PHONE: (618) 214-1063 FAX: (606) 644-0442

THIS DOCUMENT CONTAINS
CONFIDENTIAL AND/OR
PROPRIETARY INFORMATION.
ANY USE, REVIEW,
RETRANSMISSION,
DISSEMINATION OR OTHER
USE OF, OR PURSUING OF ANY
ACTION IN RELIANCE UPON THIS
INFORMATION IS STRICTLY
PROHIBITED WITHOUT PROPER
AUTHORIZATION FROM
INTERMOUNTAIN ELECTRONICS.

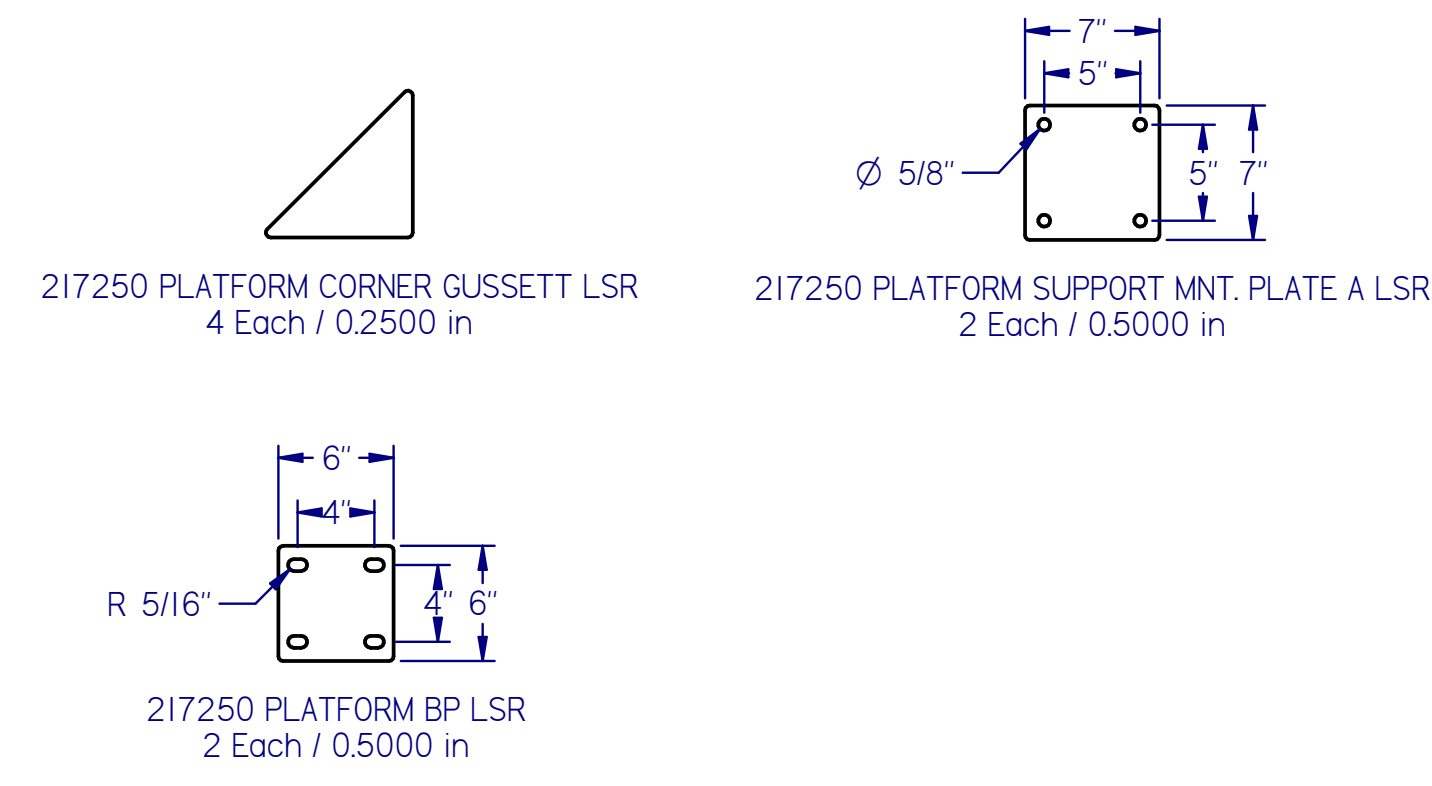
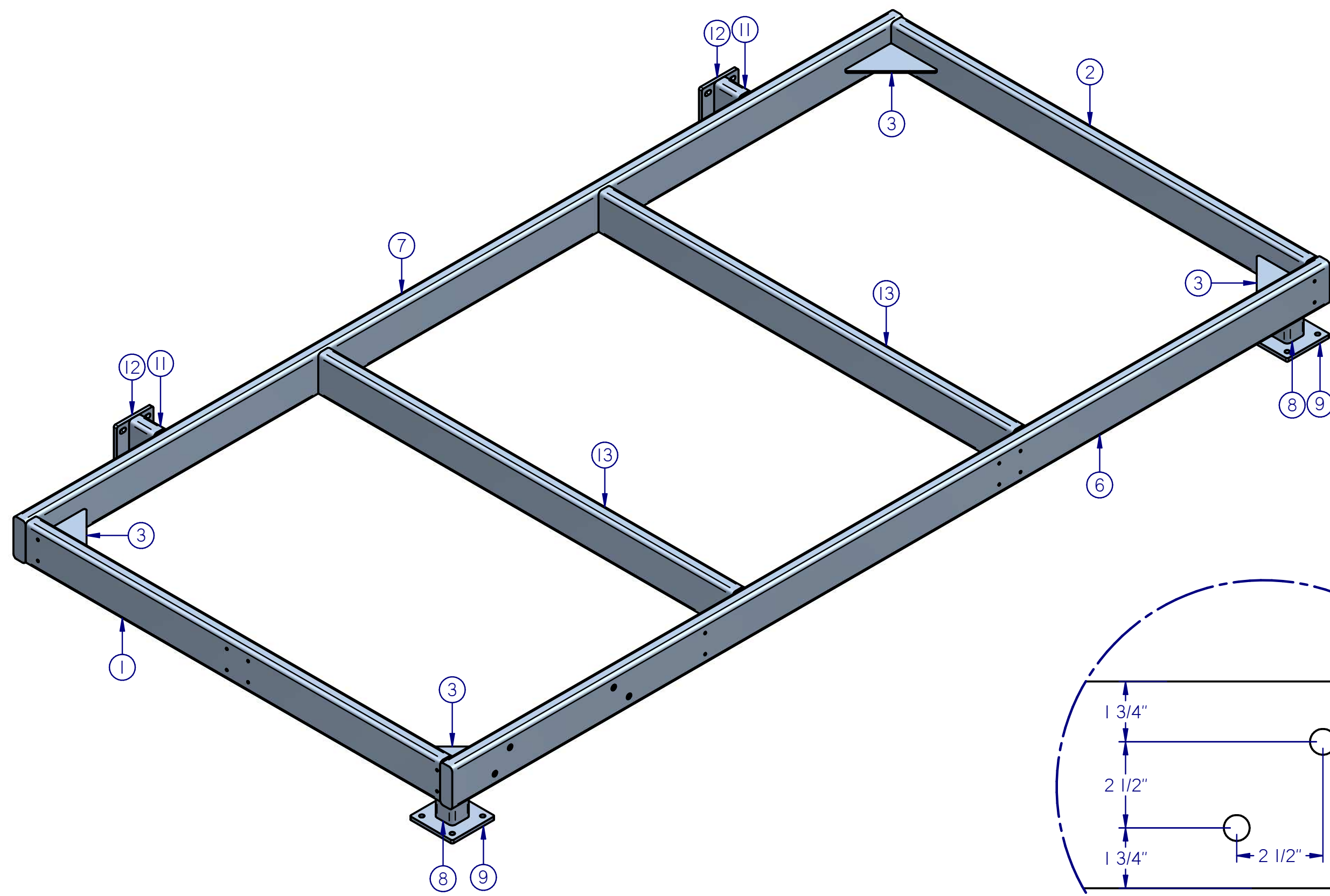
PDC ENERGY
PDC-1000
6' X 12' LS LANDING

REVISIONS

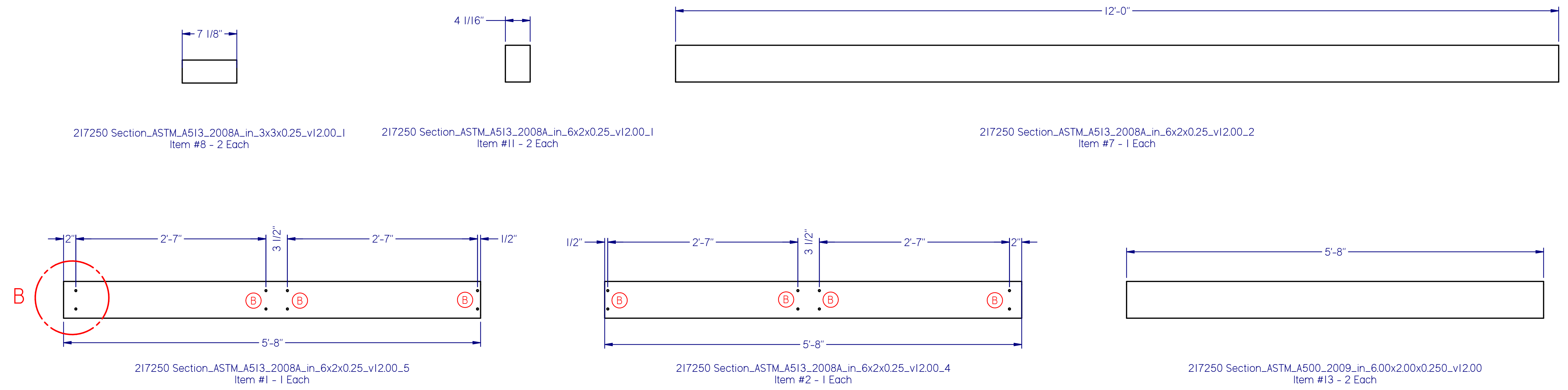
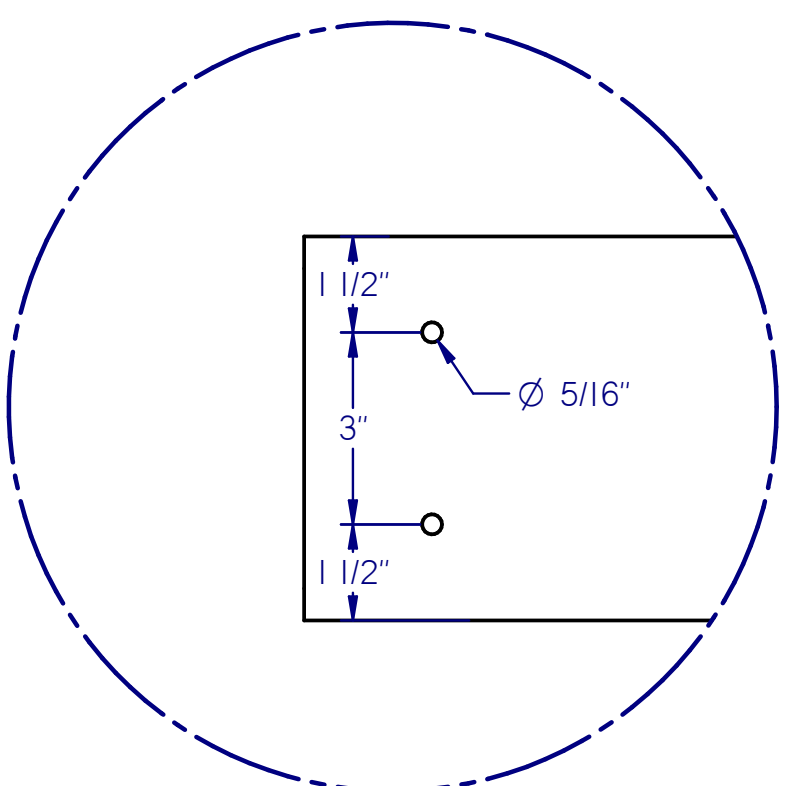
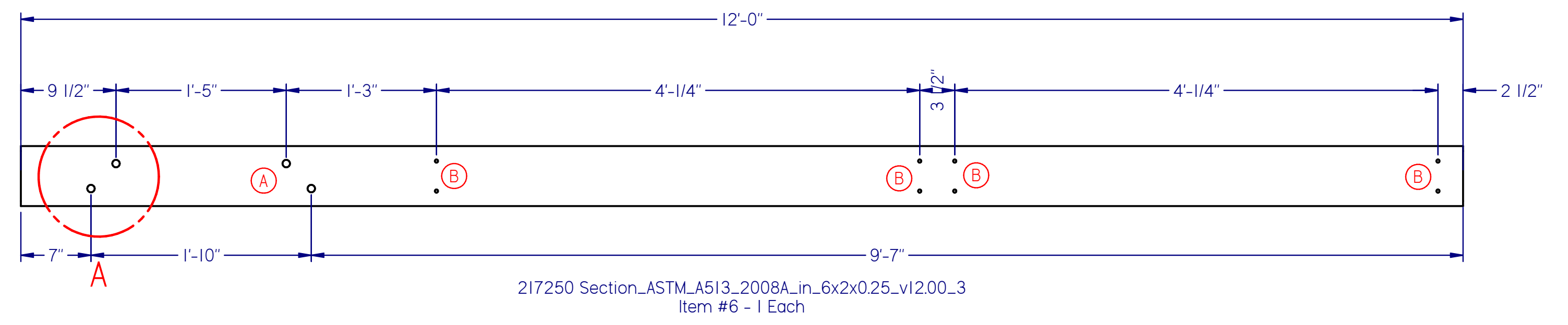
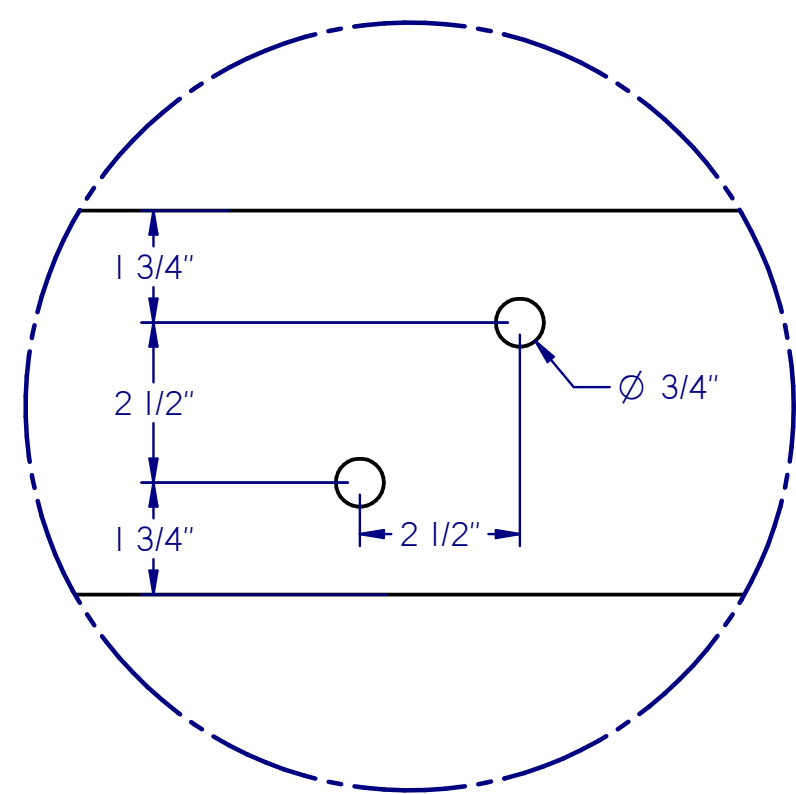
Rev:	Date:	Description:	By:	Approved:
FR 2.0	8/30/2018	ISSUED FOR REVIEW 2.0 - UPDATED PER P. E. L. REDLINES DATED 8/29/2018	WR	JY
FR 3.0	9/4/2018	ISSUED FOR REVIEW 3.0 - UPDATED PER P. E. L. AND ENGINEER REDLINES DATED 8/31/2018	WR	JY
IFC 1.0	9/7/2018	ISSUED FOR CONSTRUCTION	WR	JY
			NA	NA
			NA	NA
			NA	NA
			NA	NA

DRAWN BY: wrasmussen
ENGINEERED BY: J.S.Y., M.E.
APPROVED BY: -
DATE: 7/25/2018
PROJECT NO. 217250-1-1
REV. IFC 1.0

DRAWING NO. **M-33**
SHT **33** OF **45**



6' X 12' LS LANDING CUT LIST		
Item Number	Quantity	File Name
1	1	217250 Section_ASTM_A513_2008A_in_6x2x0.25_v12.00_5
2	1	217250 Section_ASTM_A513_2008A_in_6x2x0.25_v12.00_4
3	4	217250 PLATFORM CORNER GUSSET LSR
6	1	217250 Section_ASTM_A513_2008A_in_6x2x0.25_v12.00_3
7	1	217250 Section_ASTM_A513_2008A_in_6x2x0.25_v12.00_2
8	2	217250 Section_ASTM_A513_2008A_in_3x3x0.25_v12.00_1
9	2	217250 PLATFORM SUPPORT MNT. PLATE A LSR
11	2	217250 Section_ASTM_A513_2008A_in_6x2x0.25_v12.00_1
12	2	217250 PLATFORM BP LSR
13	2	217250 Section_ASTM_A500_2009_in_6.00x2.00x0.250_v12.00



DETAIL B
TAP FOR 3/8"-16
HEX BOLT

DETAIL A
THRU HOLE FOR
5/8"-11 HEX BOLT



Wright Engineers
Firm #: 14071
09/11/2018
THE ACCOMPANYING PROFESSIONAL ENGINEER'S SEAL APPLIES TO THE STRUCTURAL ELEMENTS ONLY



1511 SOUTH HIGHWAY 6, PRICE, UT 84501
PHONE: (435) 637-7160 FAX: (435) 637-9601
8221 EAST 96TH AVE, UNIT A, HENDERSON, CO 80640
PHONE: (720) 409-1000
100 VALLEY DRIVE, SOUTHPOINT, OH 45680
PHONE: (740) 414-4770 FAX: (606) 644-0432
400 SWAN AVENUE, CENTRALIA, IL 62801
PHONE: (618) 214-1063 FAX: (606) 644-0442

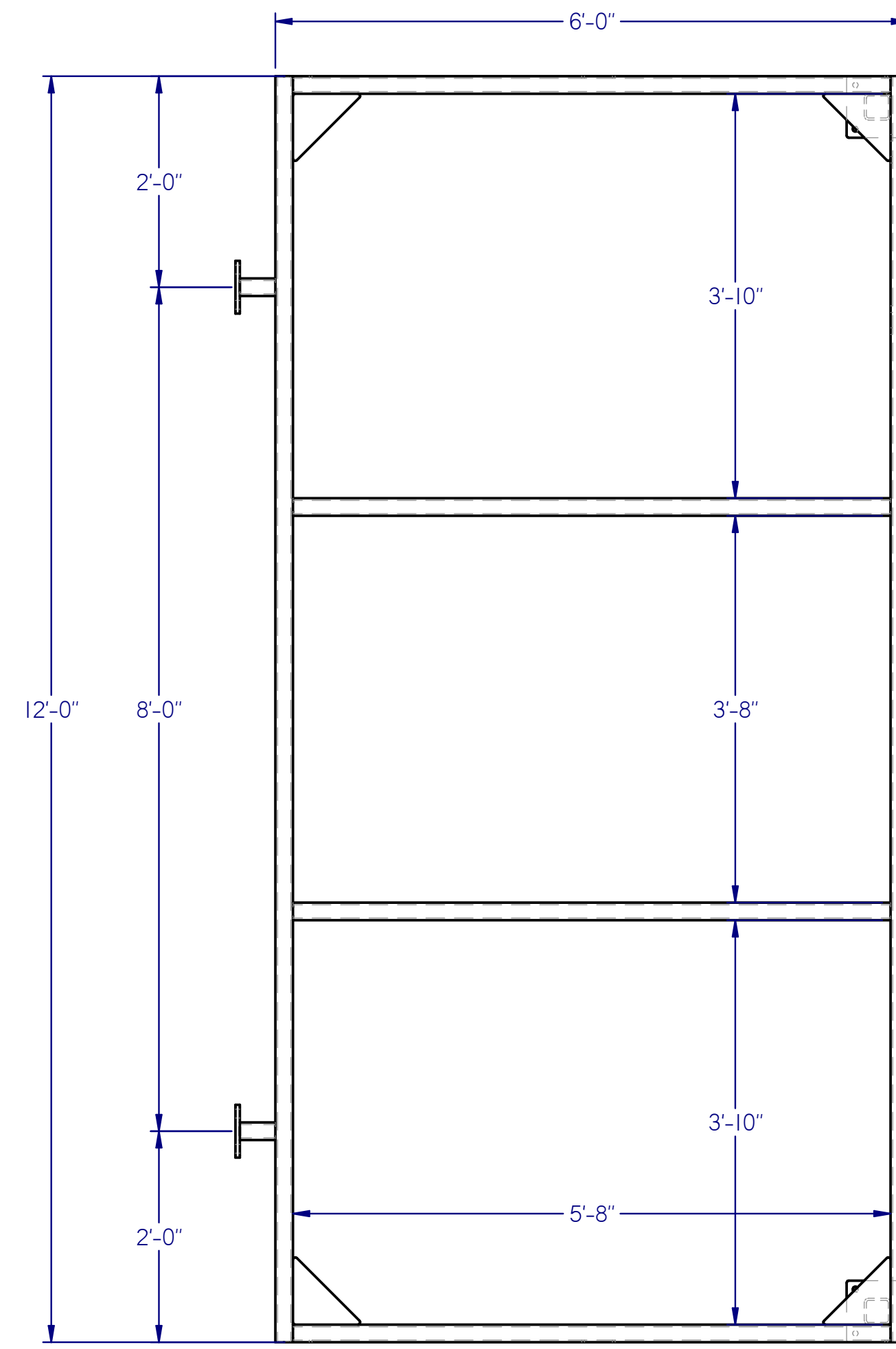
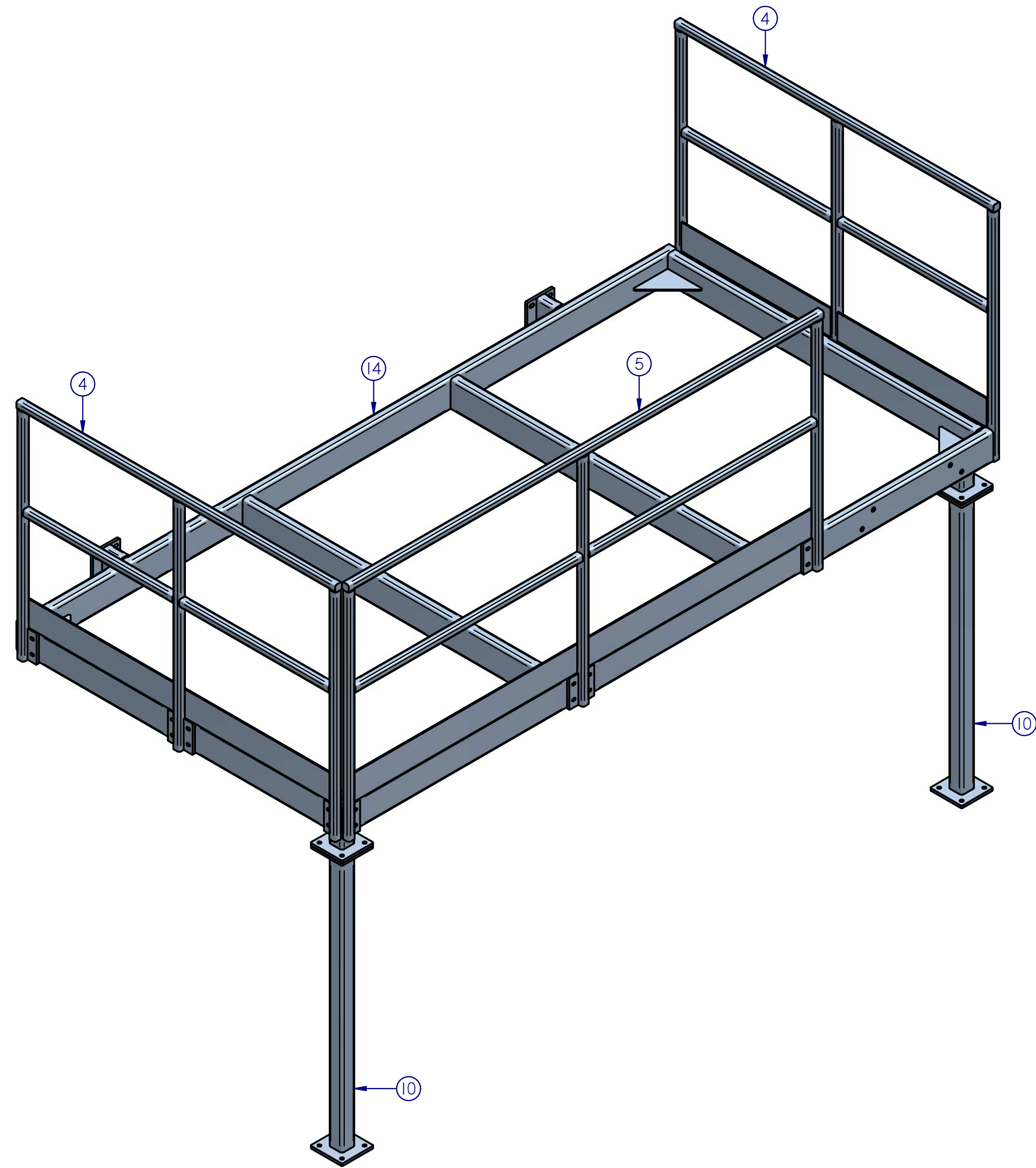
THIS DOCUMENT CONTAINS CONFIDENTIAL AND/OR PROPRIETARY INFORMATION. ANY USE, REVIEW, RETRANSMISSION, DISSEMINATION OR OTHER USE OF, OR PURSUING OF ANY INFORMATION IN RELIANCE UPON THIS INFORMATION IS STRICTLY PROHIBITED WITHOUT PROPER AUTHORIZATION FROM INTERMOUNTAIN ELECTRONICS.

PDC ENERGY
PDC-1000
6' X 12' LS LANDING CUT LIST

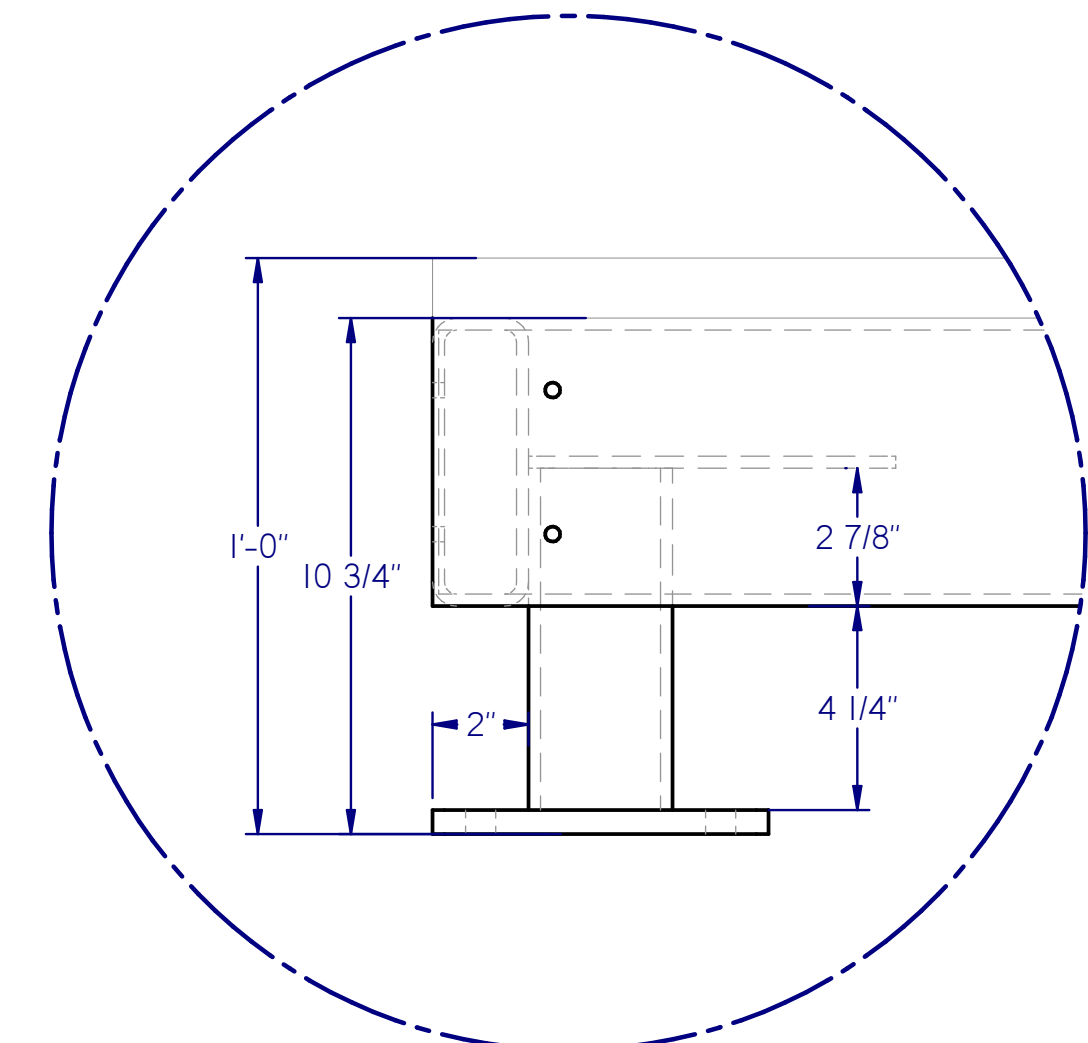
REVISIONS			
Rev:	Date:	Description:	By:
FR 2.0	8/30/2018	ISSUED FOR REVIEW 2.0 - UPDATED PER P. E. L. REDLINES DATED 8/29/2018	WR
FR 3.0	9/4/2018	ISSUED FOR REVIEW 3.0 - UPDATED PER P. E. L. AND ENGINEER REDLINES DATED 8/31/2018	WR
IFC 1.0	9/7/2018	ISSUED FOR CONSTRUCTION	WR
			NA
			NA
			NA
			NA
			NA

DRAWN BY: wrasmussen
ENGINEERED BY: J.S.Y., M.E.
APPROVED BY: _____
DATE: 7/25/2018
PROJECT NO. 217250-1-1
REV. IFC 1.0

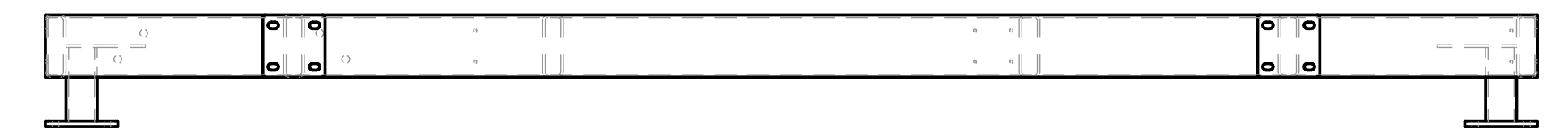
DRAWING NO. M-34
SHT 34 OF 45



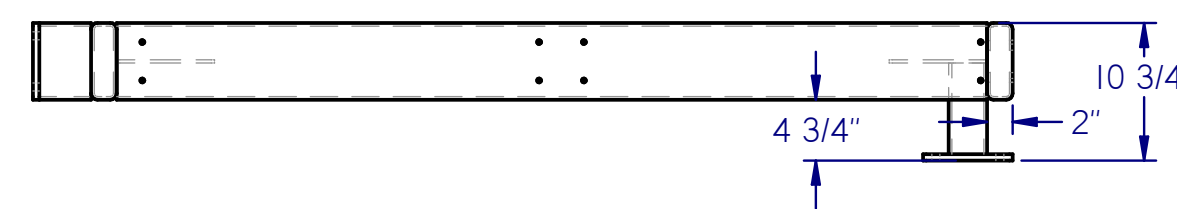
PLATFORM - TOP VIEW



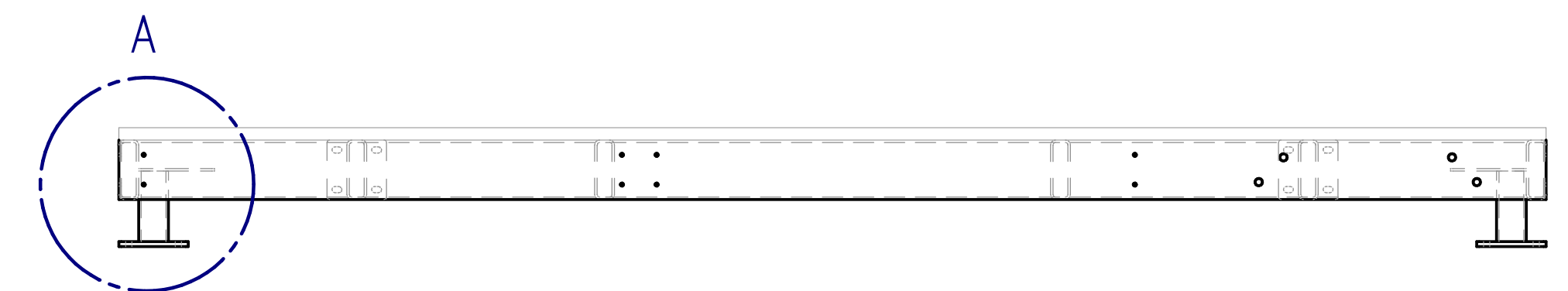
DETAIL A



PLATFORM - REAR VIEW



PLATFORM - SIDE VIEW



PLATFORM - FRONT VIEW

6' X 12' RS LANDING PARTS LIST			
Item Number	Quantity	File Name	Ref.
4	2	217250 HANDRAIL C	SEE SHEET M-37
5	1	217250 HANDRAIL A_RS	SEE SHEET M-37
10	2	217250 REMV. PLATFORM SUPP. LEG	SEE SHEET M-30
14	1	6' X 12' RS LANDING	SEE SHEET M-36

④ 6' X 12' RS LANDING (1,750 LBS)
1 EACH



1511 SOUTH HIGHWAY 6, PRICE, UT 84501
PHONE: (435) 637-7160 FAX: (435) 637-9601

8221 EAST 96TH AVE, UNIT A, HENDERSON, CO 80640
PHONE: (720) 409-1000

100 VALLEY DRIVE, SOUTHPOINT, OH 45680
PHONE: (740) 414-4770 FAX: (606) 644-0432

400 SWAN AVENUE, CENTRALIA, IL 62801
PHONE: (618) 214-1063 FAX: (606) 644-0442

THIS DOCUMENT CONTAINS
CONFIDENTIAL AND/OR
PROPRIETARY INFORMATION.
ANY USE, REVIEW,
RETRANSMISSION,
DISSEMINATION OR OTHER
USE OF, OR PURSUING OF ANY
ACTION IN RELIANCE UPON THIS
INFORMATION IS STRICTLY
PROHIBITED WITHOUT PROPER
AUTHORIZATION FROM
INTERMOUNTAIN ELECTRONICS.

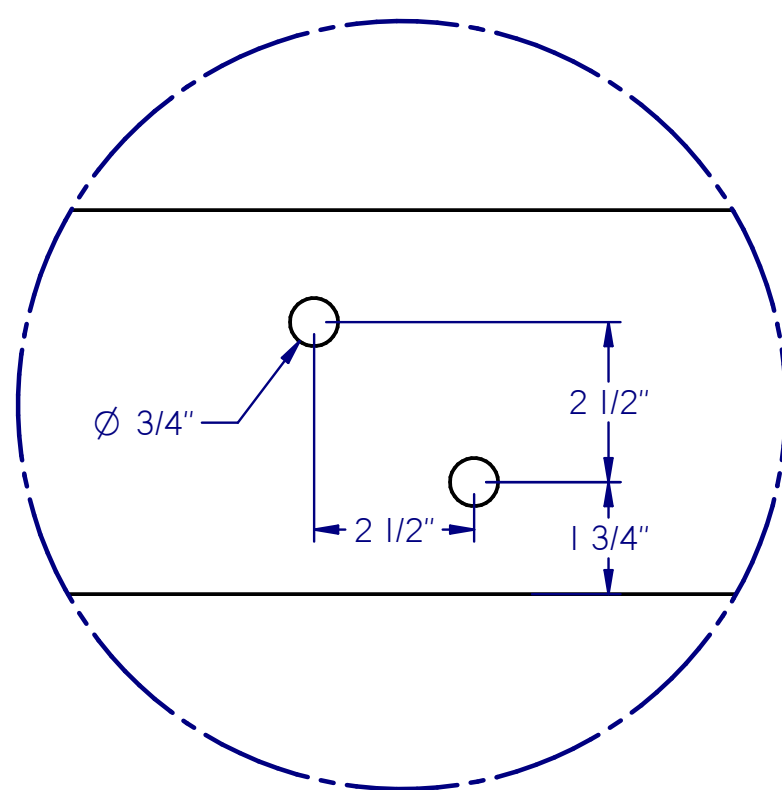
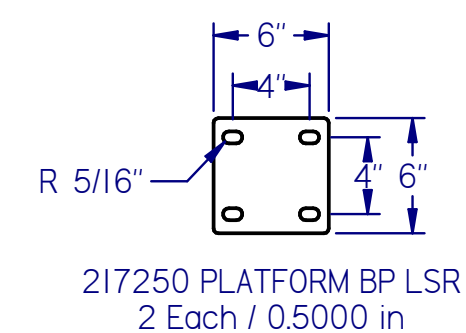
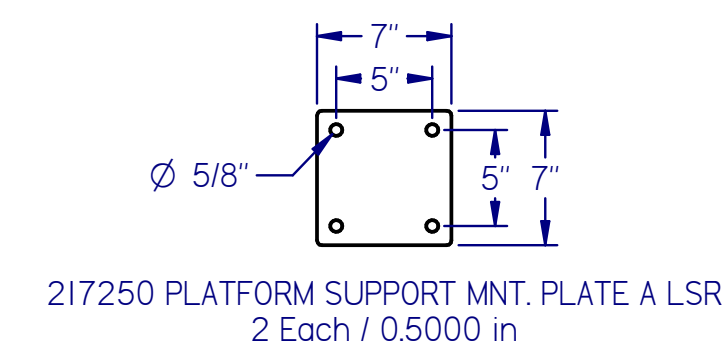
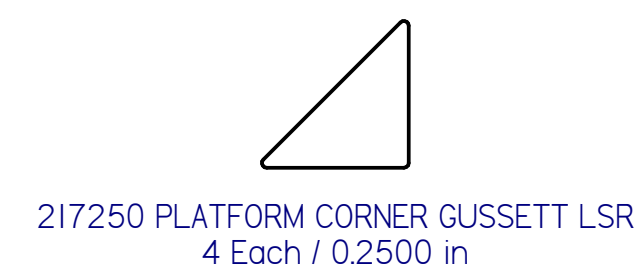
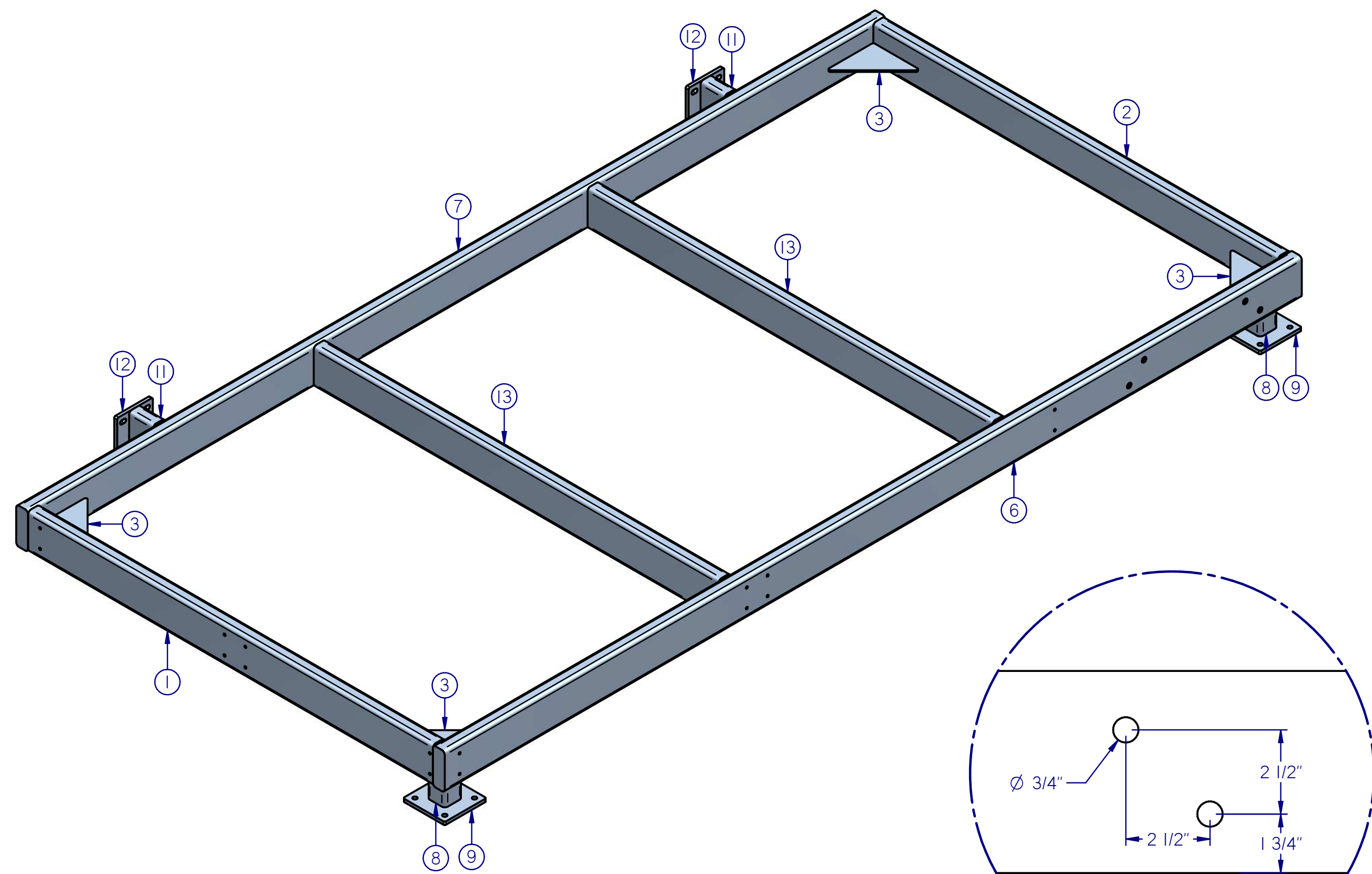
PDC ENERGY
PDC-1000
6' X 12' RS LANDING

REVISIONS

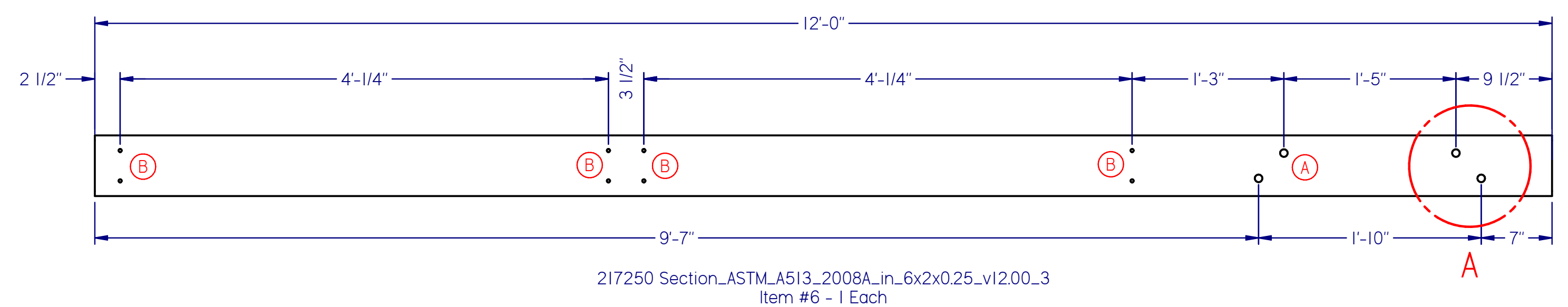
Rev.	Date	Description	By:	Approved:
FR 2.0	8/30/2018	ISSUED FOR REVIEW 2.0 - UPDATED PER P. E. L. REDLINES DATED 8/29/2018	WR	JY
FR 3.0	9/4/2018	ISSUED FOR REVIEW 3.0 - UPDATED PER P. E. L. AND ENGINEER REDLINES DATED 8/31/2018	WR	JY
IFC 1.0	9/7/2018	ISSUED FOR CONSTRUCTION	WR	JY
			NA	NA
			NA	NA
			NA	NA
			NA	NA

DRAWN BY: wrasmussen
ENGINEERED BY: J.S.Y., M.E.
APPROVED BY: -
DATE: 7/25/2018
PROJECT NO. 217250-1-1
REV. IFC 1.0

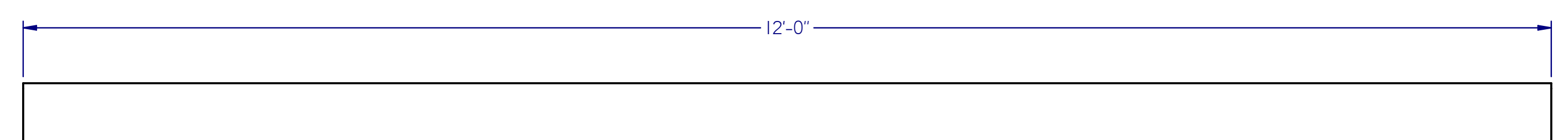
DRAWING NO. **M-35**
SHT 35 OF 45



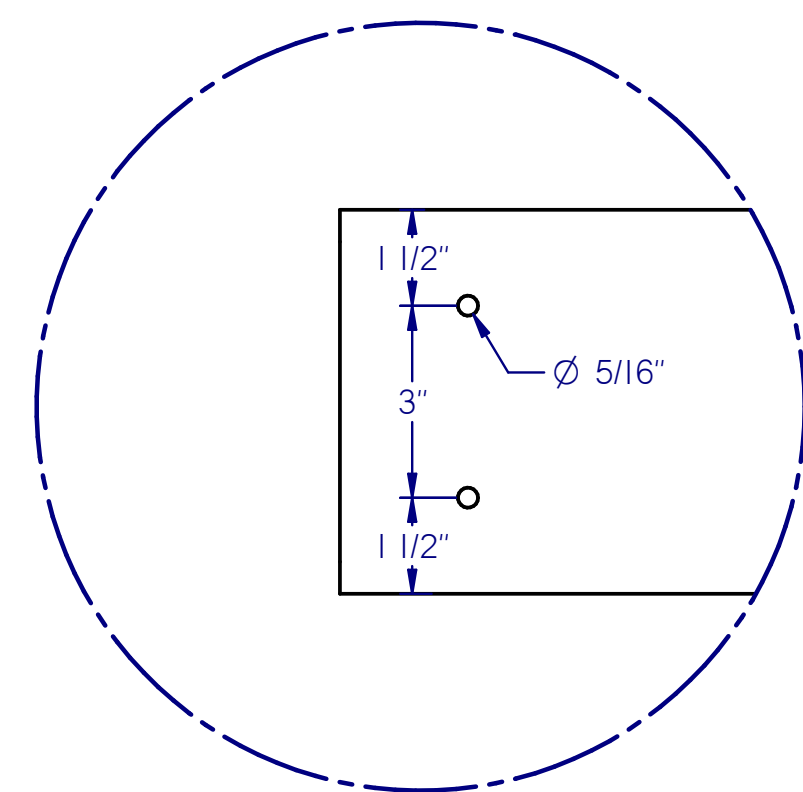
DETAIL A
THRU HOLE FOR
5/8"-11 HEX BOLT



217250 Section_ASTM_A513_2008A_in_6x2x0.25_v12.00_3
Item #6 - 1 Each



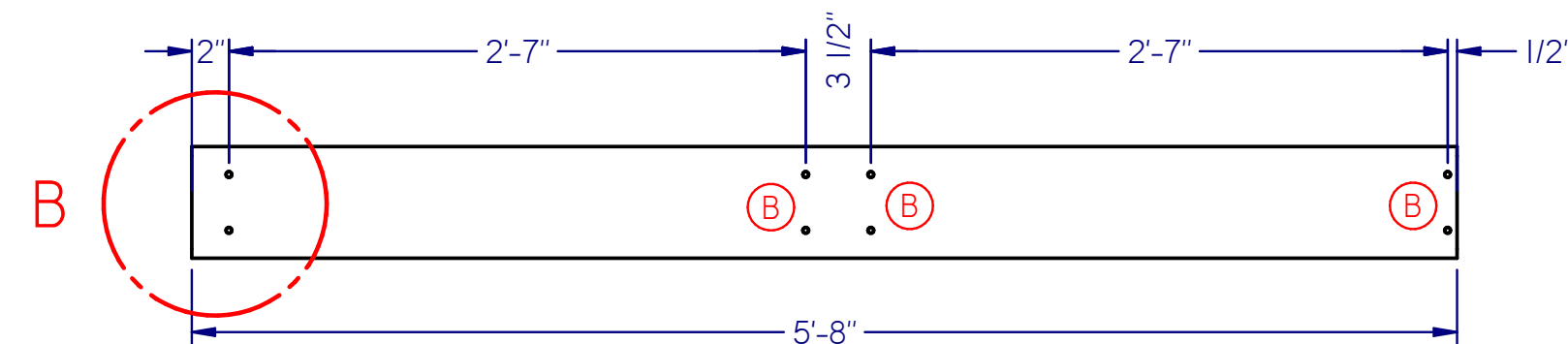
217250 Section_ASTM_A513_2008A_in_6x2x0.25_v12.00_2
Item #7 - 1 Each



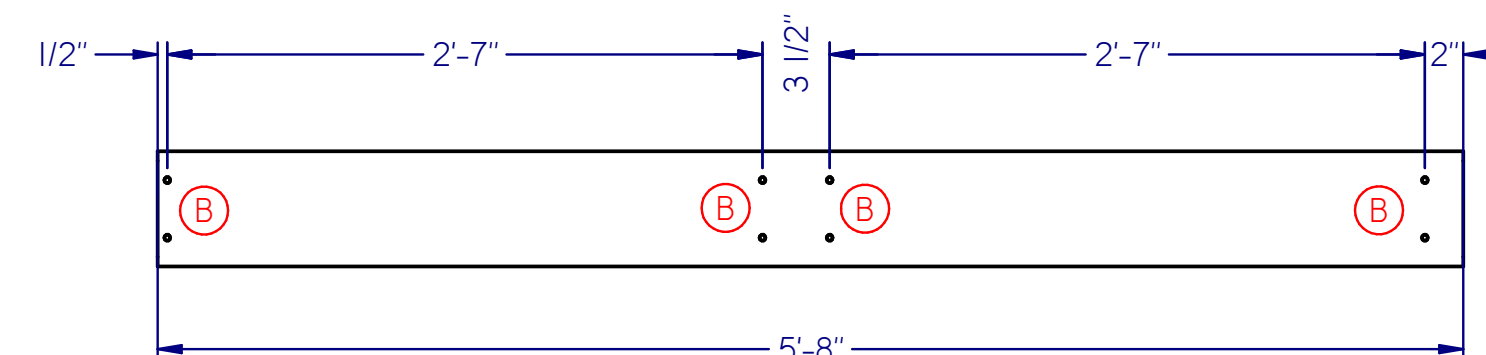
DETAIL B
TAP FOR 3/8"-16
HEX BOLT

217250 Section_ASTM_A513_2008A_in_3x3x0.25_v12.00_1
Item #8 - 2 Each

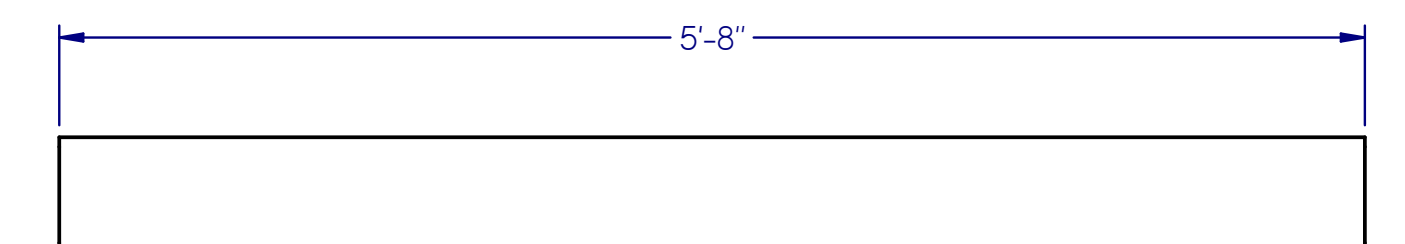
217250 Section_ASTM_A513_2008A_in_6x2x0.25_v12.00_1
Item #11 - 2 Each



217250 Section_ASTM_A513_2008A_in_6x2x0.25_v12.00_5
Item #1 - 1 Each



217250 Section_ASTM_A513_2008A_in_6x2x0.25_v12.00_4
Item #2 - 1 Each



217250 Section_ASTM_A500_2009_in_6.00x2.00x0.250_v12.00
Item #13 - 2 Each

6' X 12' RS LANDING CUT LIST		
Item Number	Quantity	File Name
1	1	217250 Section_ASTM_A513_2008A_in_6x2x0.25_v12.00_5
2	1	217250 Section_ASTM_A513_2008A_in_6x2x0.25_v12.00_4
3	4	217250 PLATFORM CORNER GUSSET LSR
6	1	217250 Section_ASTM_A513_2008A_in_6x2x0.25_v12.00_3
7	1	217250 Section_ASTM_A513_2008A_in_6x2x0.25_v12.00_2
8	2	217250 Section_ASTM_A513_2008A_in_3x3x0.25_v12.00_1
9	2	217250 PLATFORM SUPPORT MNT. PLATE A LSR
11	2	217250 Section_ASTM_A513_2008A_in_6x2x0.25_v12.00_1
12	2	217250 PLATFORM BP LSR
13	2	217250 Section_ASTM_A500_2009_in_6.00x2.00x0.250_v12.00



THE ACCOMPANYING PROFESSIONAL ENGINEER'S SEAL APPLIES TO THE STRUCTURAL ELEMENTS ONLY



1511 SOUTH HIGHWAY 6, PRICE, UT 84501
PHONE: (435) 637-7160 FAX: (435) 637-9601

8221 EAST 96TH AVE, UNIT A, HENDERSON, CO 80640
PHONE: (720) 409-1000

100 VALLEY DRIVE, SOUTHPOINT, OH 45680
PHONE: (740) 414-4770 FAX: (606) 644-0432

400 SWAN AVENUE, CENTRALIA, IL 62801
PHONE: (618) 214-1063 FAX: (606) 644-0442

THIS DOCUMENT CONTAINS CONFIDENTIAL AND/OR PROPRIETARY INFORMATION. ANY USE, REVIEW, RETRANSMISSION, DISSEMINATION OR OTHER USE OF, OR PURSUING OF ANY INFORMATION IS STRICTLY PROHIBITED WITHOUT PROPER AUTHORIZATION FROM INTERMOUNTAIN ELECTRONICS.

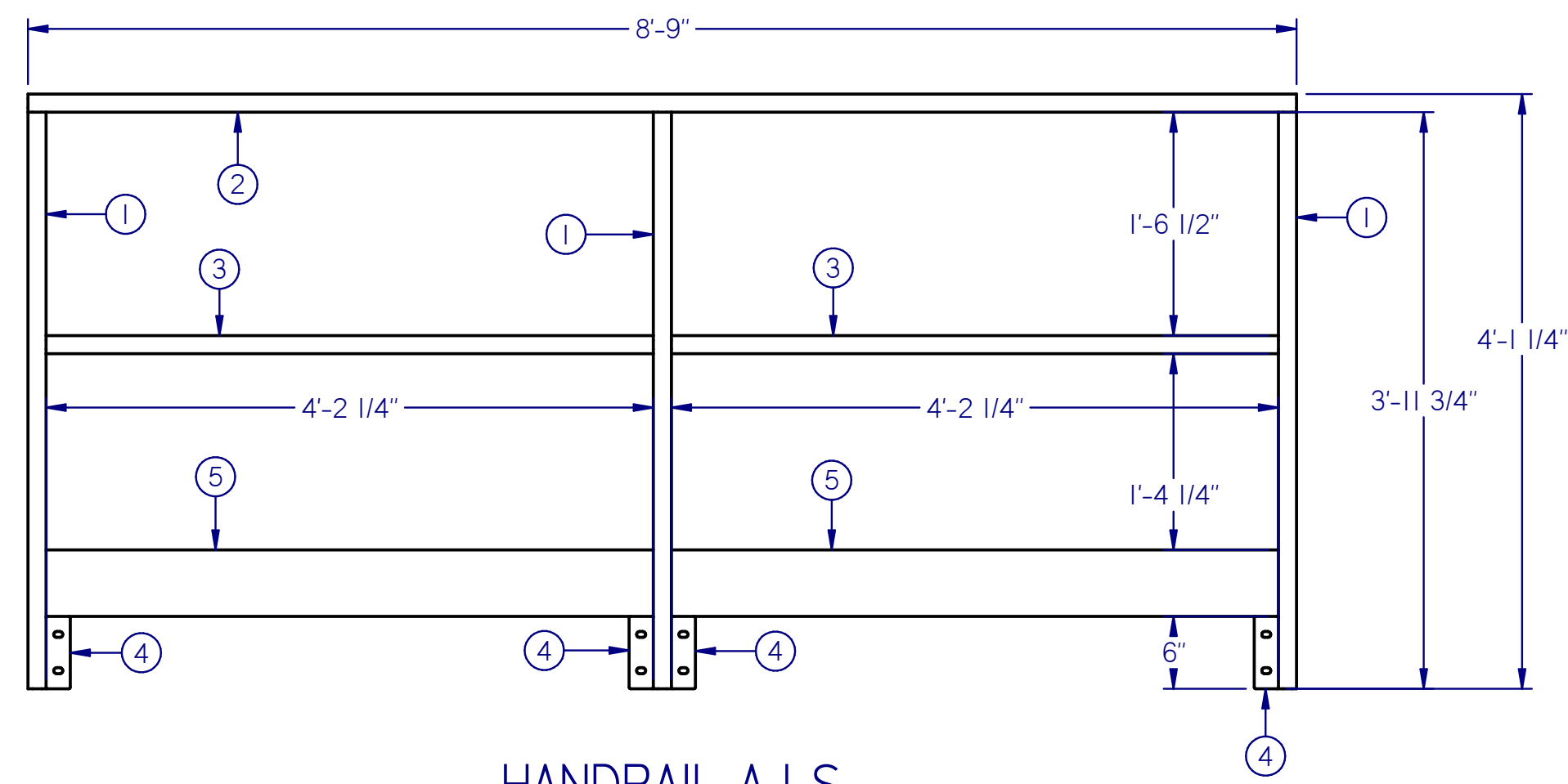
PDC ENERGY
PDC-1000
6' X 12' RS LANDING CUT LIST

REVISIONS

Rev.	Date:	Description:	By:	Approved:
FR 2.0	8/30/2018	ISSUED FOR REVIEW 2.0 - UPDATED PER P. E. L. REDLINES DATED 8/29/2018	WR	JY
FR 3.0	9/4/2018	ISSUED FOR REVIEW 3.0 - UPDATED PER P. E. L. AND ENGINEER REDLINES DATED 8/31/2018	WR	JY
IFC 1.0	9/7/2018	ISSUED FOR CONSTRUCTION	WR	JY
			NA	NA
			NA	NA
			NA	NA
			NA	NA

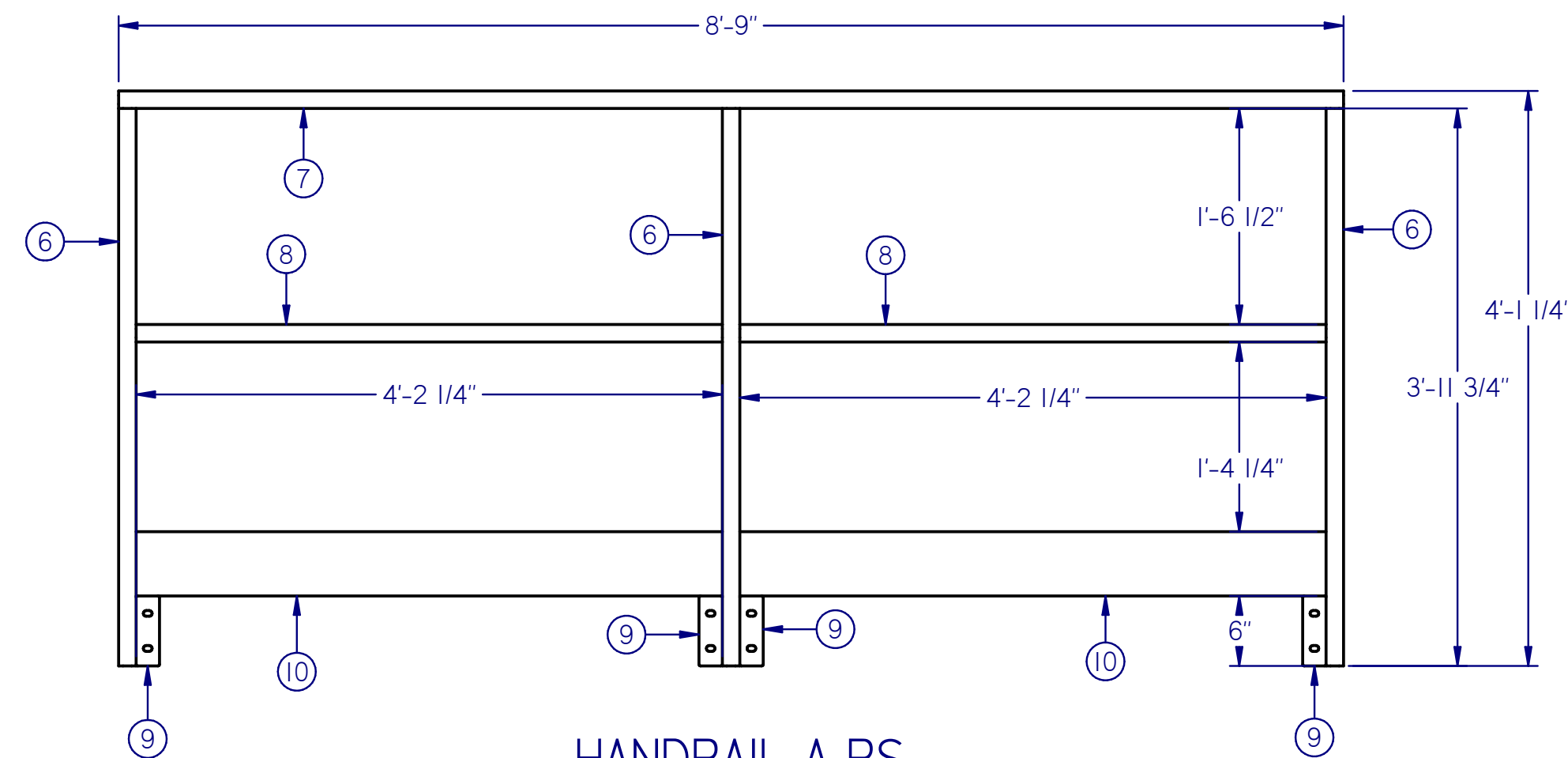
DRAWN BY: wrasmussen
ENGINEERED BY: J.S.Y., M.E.
APPROVED BY: -
DATE: 7/25/2018
PROJECT NO. 217250-1-1
REV. IFC 1.0

DRAWING NO. **M-36**
SHT **36** OF **45**



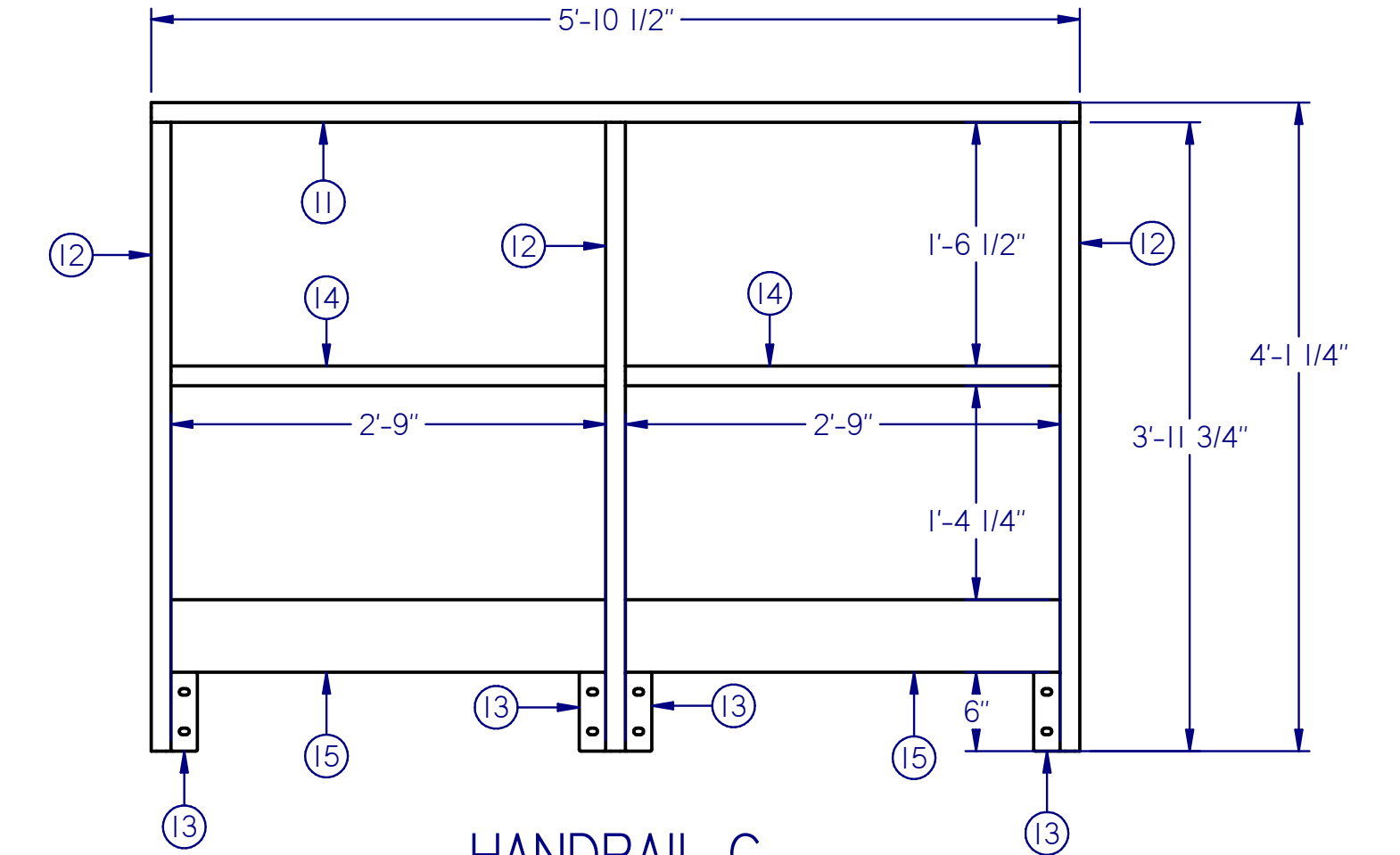
HANDRAIL A LS
1 EACH

HANDRAIL A LS CUT LIST			
Item Number	Quantity	File Name	Length
1	3	217250 Section_Q_CSW_L_I12x1_I12x0.188_v9.00_4	3'-11 3/4"
2	1	217250 Section_Q_CSW_L_I12x1_I12x0.188_v9.00_5	8'-9"
3	2	217250 Section_Q_CSW_L_I12x1_I12x0.188_v9.00_6	4'-2 1/4"
4	4	217250 BP C LSR	N/A
5	2	217250 HANDRAIL KICK PLATE A LSR	N/A



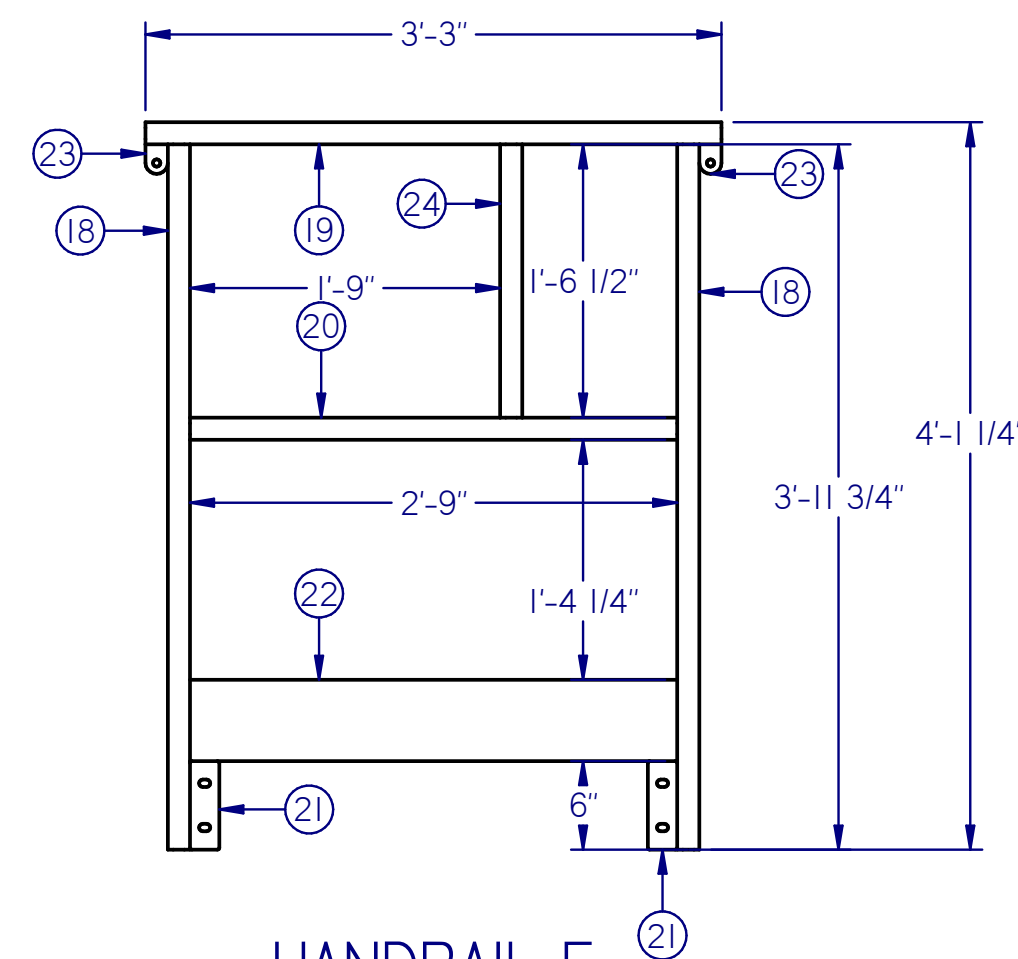
HANDRAIL A RS
1 EACH

HANDRAIL A RS CUT LIST			
Item Number	Quantity	File Name	Length
6	3	217250 Section_Q_CSW_L_I12x1_I12x0.188_v9.00_4	3'-11 3/4"
7	1	217250 Section_Q_CSW_L_I12x1_I12x0.188_v9.00_5	8'-9"
8	2	217250 Section_Q_CSW_L_I12x1_I12x0.188_v9.00_6	4'-2 1/4"
9	4	217250 BP C LSR	N/A
10	2	217250 HANDRAIL KICK PLATE A LSR	N/A



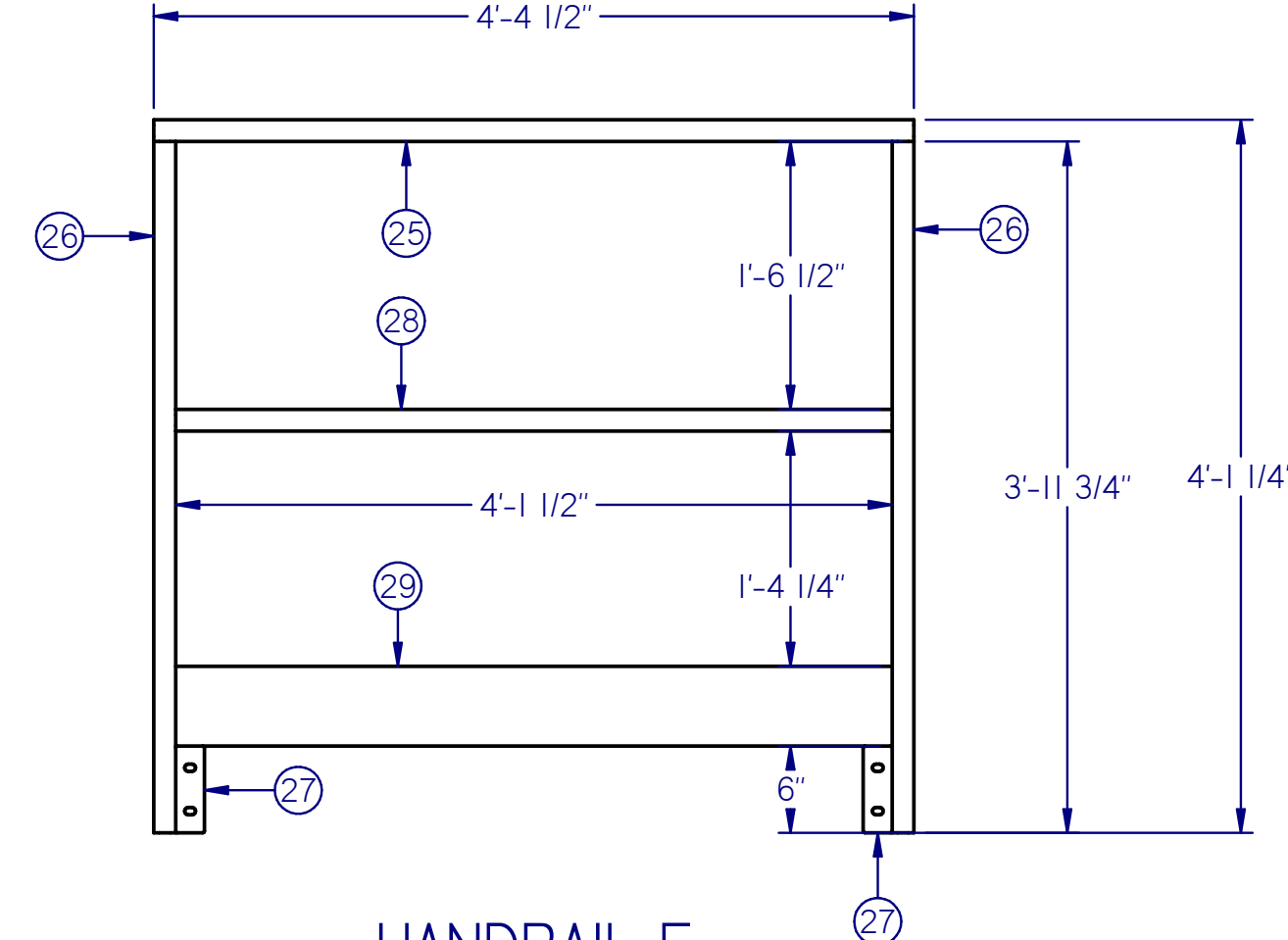
HANDRAIL C
4 EACH

HANDRAIL C CUT LIST			
Item Number	Quantity	File Name	Length
11	1	217250 Section_Q_CSW_L_I12x1_I12x0.188_v9.00_1	5'-10 1/2"
12	3	217250 Section_Q_CSW_L_I12x1_I12x0.188_v9.00_3	3'-11 3/4"
13	4	217250 BP A LSR	N/A
14	2	217250 Section_Q_CSW_L_I12x1_I12x0.188_v9.00_2	2'-9"
15	2	217250 HANDRAIL KICK PLATE C LSR	N/A



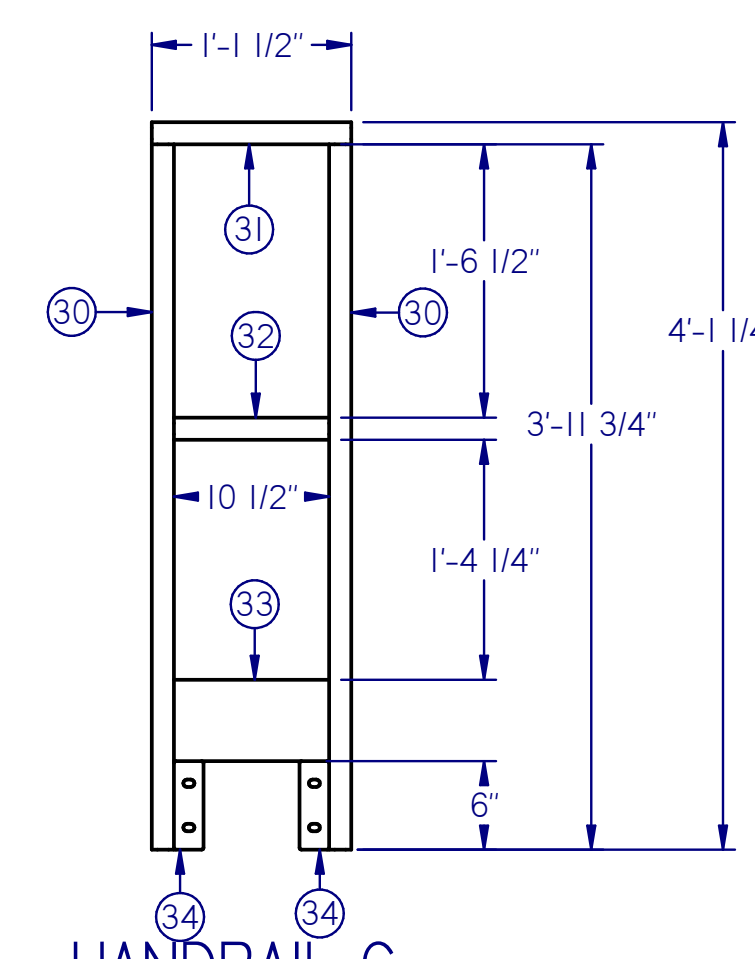
HANDRAIL E
1 EACH

HANDRAIL E CUT LIST			
Item Number	Quantity	File Name	Length
18	2	217250 Section_Q_CSW_L_I12x1_I12x0.188_v9.00_4	3'-11 3/4"
19	1	217250 Section_Q_CSW_L_I12x1_I12x0.188_v9.00_5	3'-3"
20	1	217250 Section_Q_CSW_L_I12x1_I12x0.188_v9.00_6	2'-9"
21	2	217250 BP C LSR	N/A
22	1	217250 HANDRAIL KICK PLATE E LSR	N/A
23	2	217030-I BP B LSR	N/A
24	1	217250 Section_Q_CSW_L_I12x1_I12x0.188_v9.00_10	1'-6 1/2"



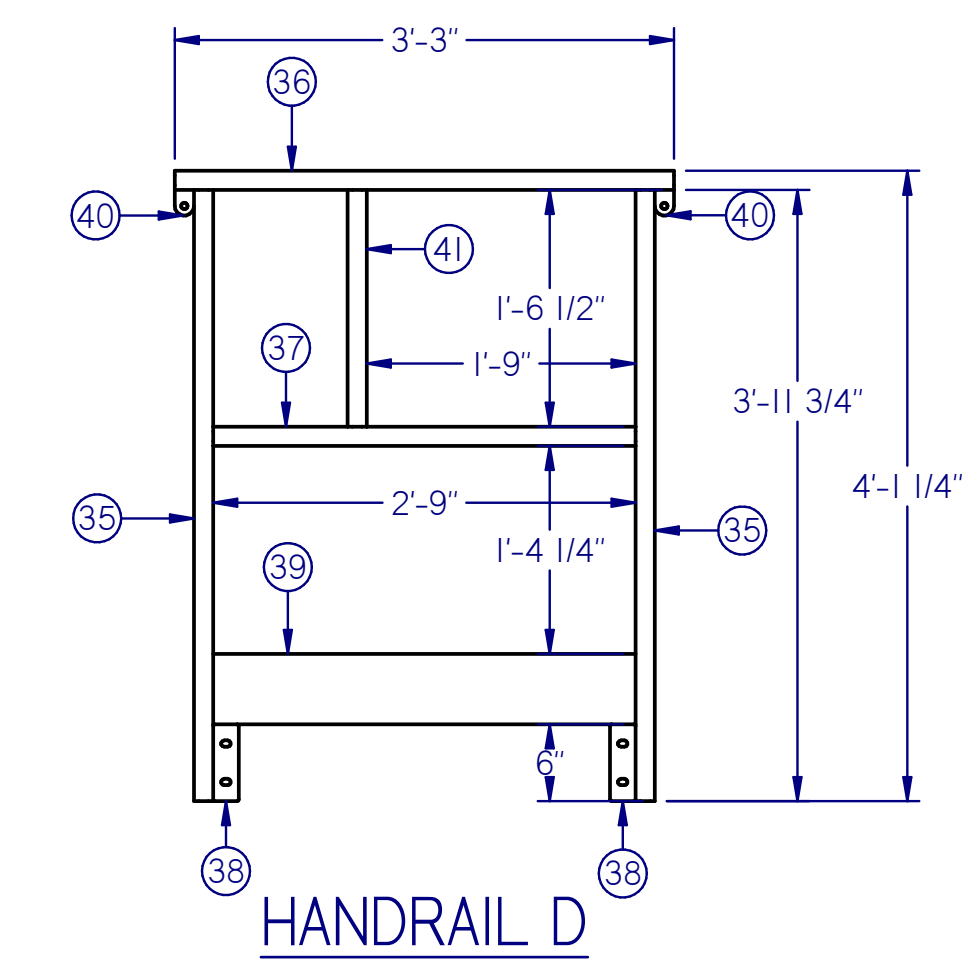
HANDRAIL F
2 EACH

HANDRAIL F CUT LIST			
Item Number	Quantity	File Name	Length
25	1	217250 Section_Q_CSW_L_I12x1_I12x0.188_v9.00_1	4'-4 1/2"
26	2	217250 Section_Q_CSW_L_I12x1_I12x0.188_v9.00_3	3'-11 3/4"
27	2	217250 BP A LSR	N/A
28	1	217250 Section_Q_CSW_L_I12x1_I12x0.188_v9.00_2	4'-1 1/2"
29	1	217250 HANDRAIL KICK PLATE F LSR	N/A



HANDRAIL G
2 EACH

HANDRAIL G CUT LIST			
Item Number	Quantity	File Name	Length
30	2	217250 Section_Q_CSW_L_I12x1_I12x0.188_v9.00_7	3'-11 3/4"
31	1	217250 Section_Q_CSW_L_I12x1_I12x0.188_v9.00_8	1'-1 1/2"
32	1	217250 Section_Q_CSW_L_I12x1_I12x0.188_v9.00_9	10 1/2"
33	1	217250 HANDRAIL KICK PLATE G LSR	N/A
34	2	217250 BP A LSR	N/A



HANDRAIL D
1 EACH

HANDRAIL D CUT LIST			
Item Number	Quantity	File Name	Length
35	2	217250 Section_Q_CSW_L_I12x1_I12x0.188_v9.00_4	3'-11 3/4"
36	1	217250 Section_Q_CSW_L_I12x1_I12x0.188_v9.00_5	3'-3"
37	1	217250 Section_Q_CSW_L_I12x1_I12x0.188_v9.00_6	2'-9"
38	2	217250 BP C LSR	N/A
39	1	217250 HANDRAIL KICK PLATE E LSR	N/A
40	2	217030-I BP B LSR	N/A
41	1	217250 Section_Q_CSW_L_I12x1_I12x0.188_v9.00_10	1'-6 1/2"



1511 SOUTH HIGHWAY 6, PRICE, UT 84501
PHONE: (435) 637-7160 FAX: (435) 637-9601

8221 EAST 96TH AVE, UNIT A, HENDERSON, CO 80640
PHONE: (720) 409-1000

100 VALLEY DRIVE, SOUTHPOINT, OH 45680
PHONE: (740) 414-4770 FAX: (606) 644-0432

400 SWAN AVENUE, CENTRALIA, IL 62801
PHONE: (618) 214-1063 FAX: (606) 644-0442

THIS DOCUMENT CONTAINS CONFIDENTIAL AND/OR PROPRIETARY INFORMATION. ANY USE, REVIEW, RETRANSMISSION, DISSEMINATION OR OTHER USE OF, OR PURSUING OF ANY ACTION IN RELIANCE UPON THIS INFORMATION IS STRICTLY PROHIBITED WITHOUT PROPER AUTHORIZATION FROM INTERMOUNTAIN ELECTRONICS.

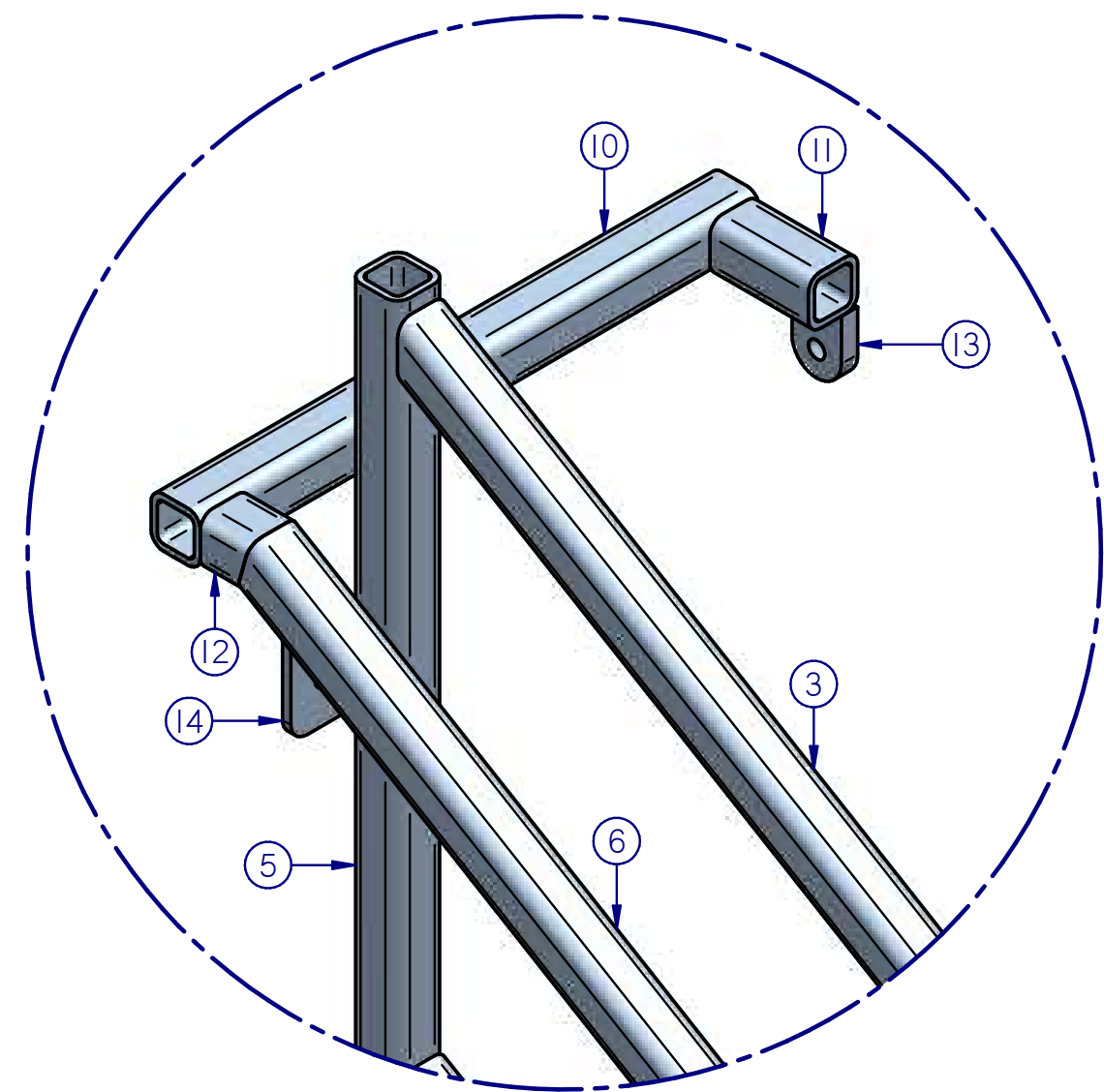
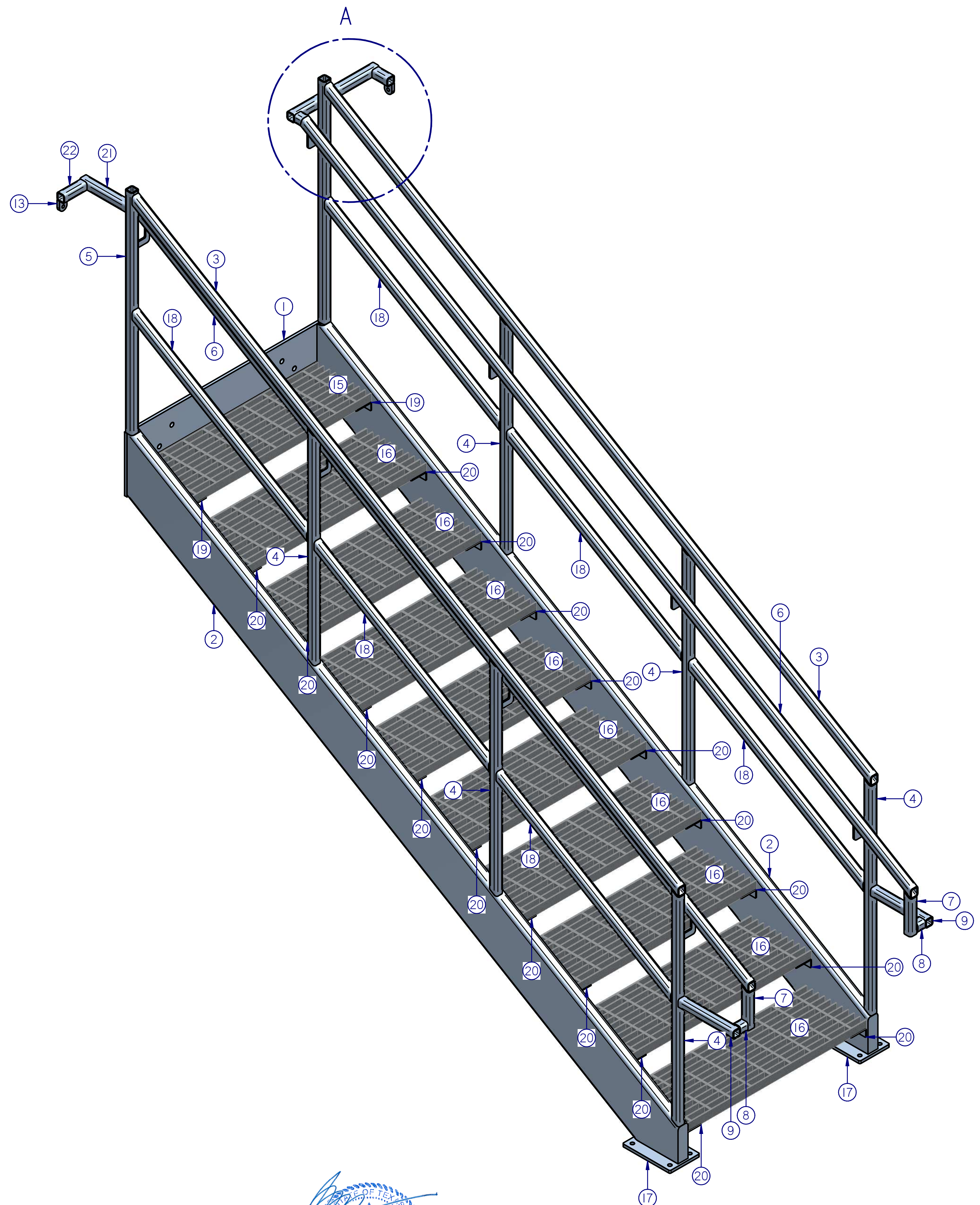
PDC ENERGY
PDC-1000
HANDRAIL DETAILS

REVISIONS

Rev:	Date:	Description:	By:	Approved:
FR 2.0	8/30/2018	ISSUED FOR REVIEW 2.0 - UPDATED PER P. E. L. REDLINES DATED 8/29/2018	WR	JY
FR 3.0	9/4/2018	ISSUED FOR REVIEW 3.0 - UPDATED PER P. E. L. AND ENGINEER REDLINES DATED 8/31/2018	WR	JY
IFC 1.0	9/7/2018	ISSUED FOR CONSTRUCTION	WR	JY
			NA	NA
			NA	NA
			NA	NA
			NA	NA

DRAWN BY: wrasmsussen
ENGINEERED BY: J.S.Y., M.E.
APPROVED BY: _____
DATE: 7/25/2018
PROJECT NO. 217250-1-1 REV. IFC 1.0

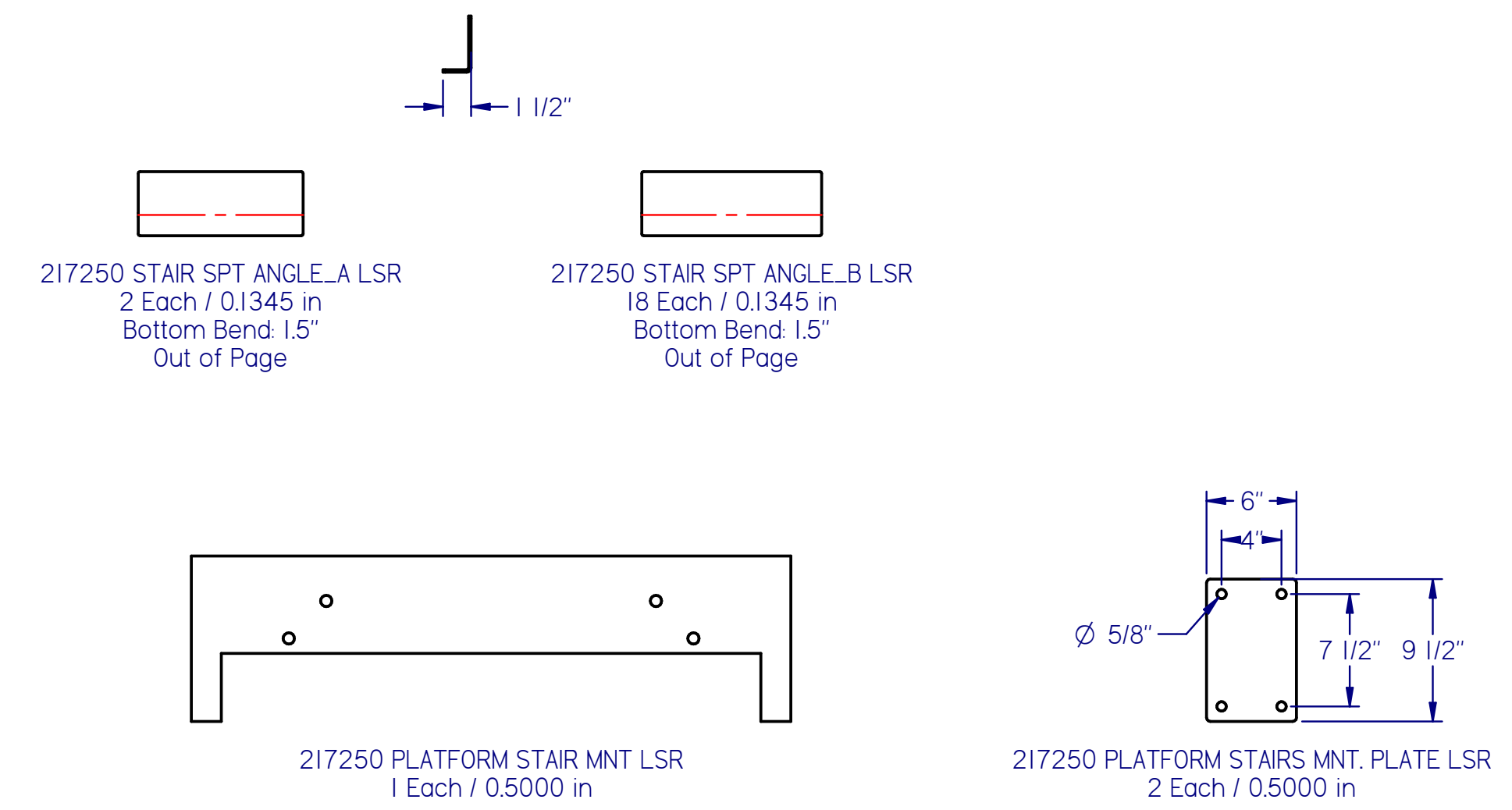
DRAWING NO. M-37
SHT 37 OF 45



DETAIL A

LS STAIR RUN PARTS LIST		
Item Number	Quantity	File Name
1	1	217250 PLATFORM STAIR MNT LSR
2	2	217250 Section_ASTM_A500_2009_in_10.0x2.00x0.1875_v12.00
3	2	217250 Section_Q_CSW_I_112xI_112x0.188_v9.00_18
4	6	217250 Section_Q_CSW_I_112xI_112x0.188_v9.00_13
5	2	217250 Section_Q_CSW_I_112xI_112x0.188_v9.00_10
6	2	217250 Section_Q_CSW_I_112xI_112x0.188_v9.00_15
7	2	217250 Section_Q_CSW_I_112xI_112x0.188_v9.00_17
8	2	217250 Section_Q_CSW_I_112xI_112x0.188_v9.00_12
9	2	217250 Section_Q_CSW_I_112xI_112x0.188_v9.00_11
10	1	217250 Section_Q_CSW_I_112xI_112x0.188_v9.00_16
11	1	217250 Section_Q_CSW_I_112xI_112x0.188_v9.00_14
12	1	217250 Section_Q_CSW_I_112xI_112x0.188_v9.00_19
13	2	217250 BP B LSR
14	8	217250 HANDRAIL BRKT LSR
15	1	217250 19-W-4 10.9375IN STAIR TREAD
16	9	217250 19-W-4 12.125IN STAIR TREAD
17	2	217250 PLATFORM STAIRS MNT. PLATE LSR
18	6	217250 Section_Q_CSW_I_112xI_112x0.188_v9.00_23
19	2	217250 STAIR SPT ANGLE_A LSR
20	18	217250 STAIR SPT ANGLE_B LSR
21	1	217250 Section_Q_CSW_I_112xI_112x0.188_v9.00_20
22	1	217250 Section_Q_CSW_I_112xI_112x0.188_v9.00_21

CUT LIST DETAILS ON SHEET M-40



THE ACCOMPANYING PROFESSIONAL ENGINEER'S SEAL APPLIES TO THE STRUCTURAL ELEMENTS ONLY.



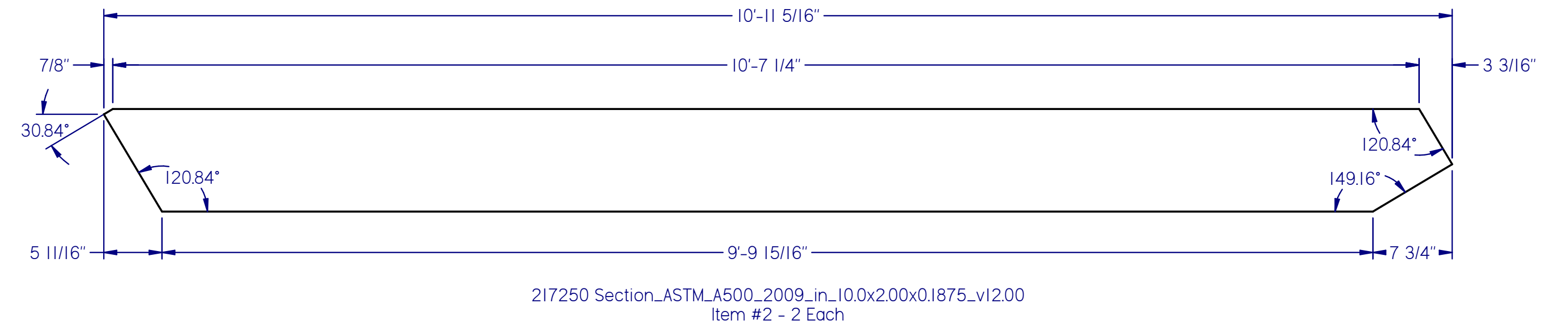
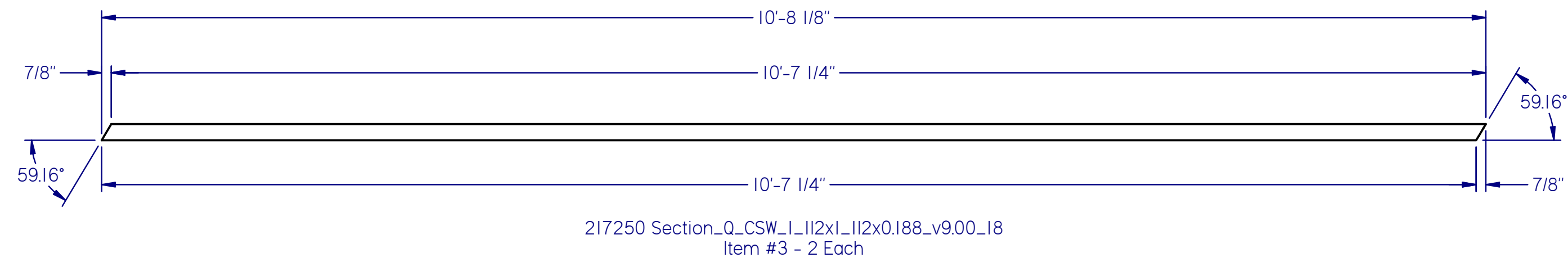
1511 SOUTH HIGHWAY 6, PRICE, UT 84501
PHONE: (435) 637-7160 FAX: (435) 637-9601
8221 EAST 96TH AVE, UNIT A, HENDERSON, CO 80640
PHONE: (720) 409-1000
100 VALLEY DRIVE, SOUTHPOINT, OH 45680
PHONE: (740) 414-4770 FAX: (606) 644-0432
400 SWAN AVENUE, CENTRALIA, IL 62801
PHONE: (618) 214-1063 FAX: (606) 644-0442

PDC ENERGY
PDC-1000
LS STAIR RUN PARTS LIST

REVISIONS				
Rev:	Date:	Description:	By:	Approved:
FR 2.0	8/30/2018	ISSUED FOR REVIEW 2.0 - UPDATED PER P. E. L. REDLINES DATED 8/29/2018	WR	JY
FR 3.0	9/4/2018	ISSUED FOR REVIEW 3.0 - UPDATED PER P. E. L. AND ENGINEER REDLINES DATED 8/31/2018	WR	JY
FC 1.0	9/7/2018	ISSUED FOR CONSTRUCTION	WR	JY
			NA	NA
			NA	NA
			NA	NA
			NA	NA

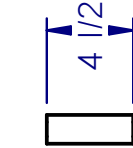
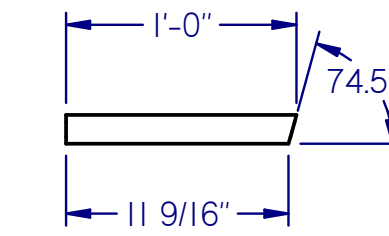
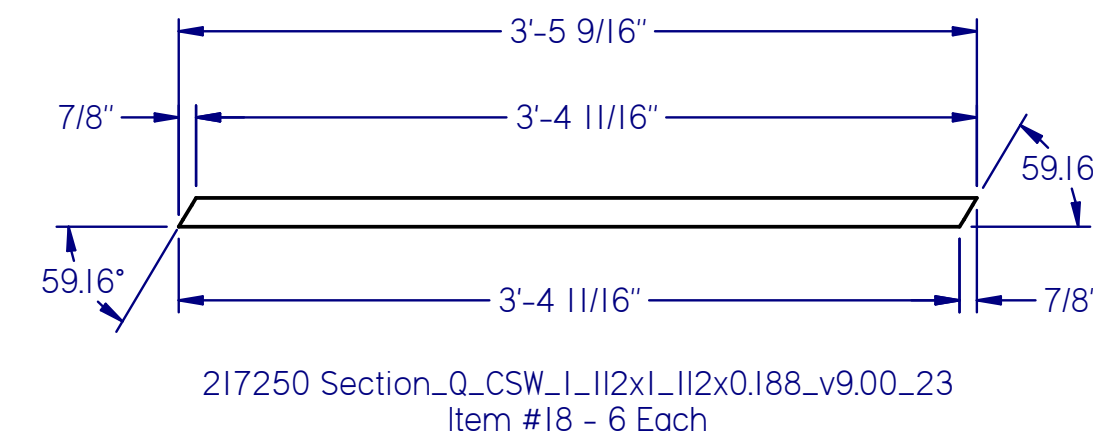
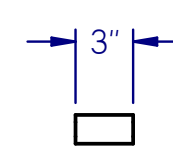
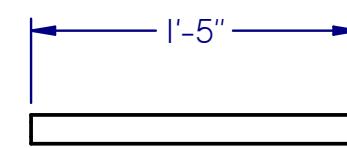
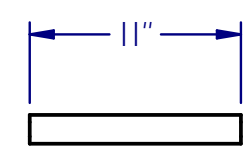
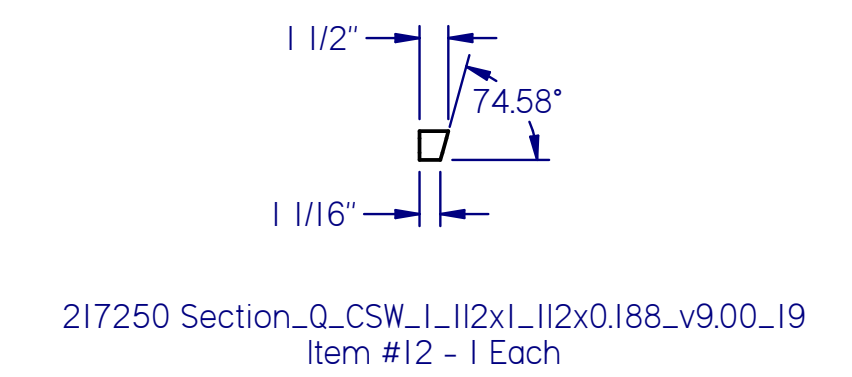
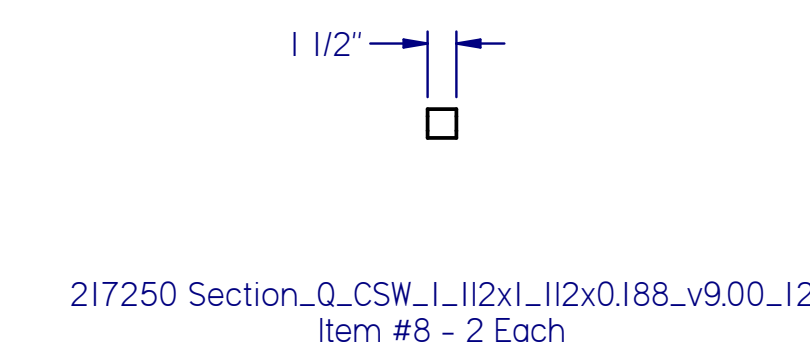
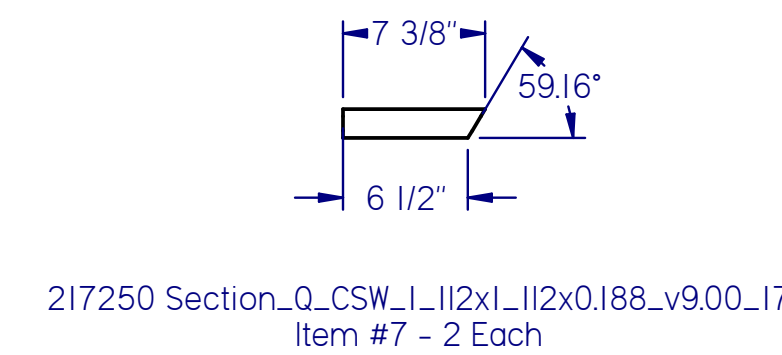
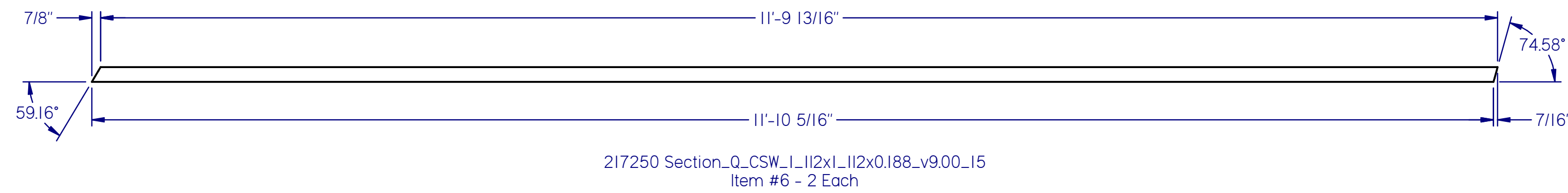
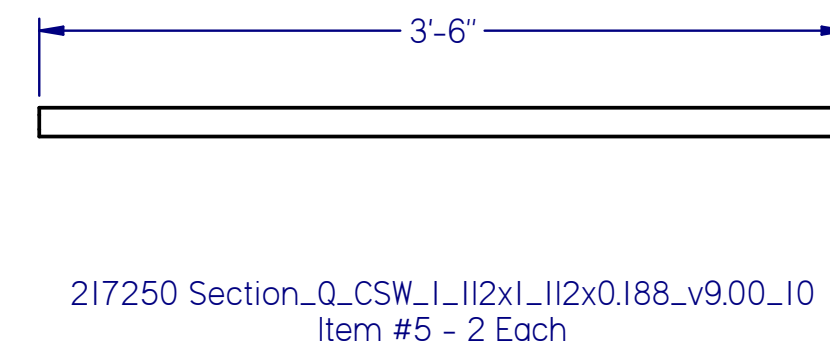
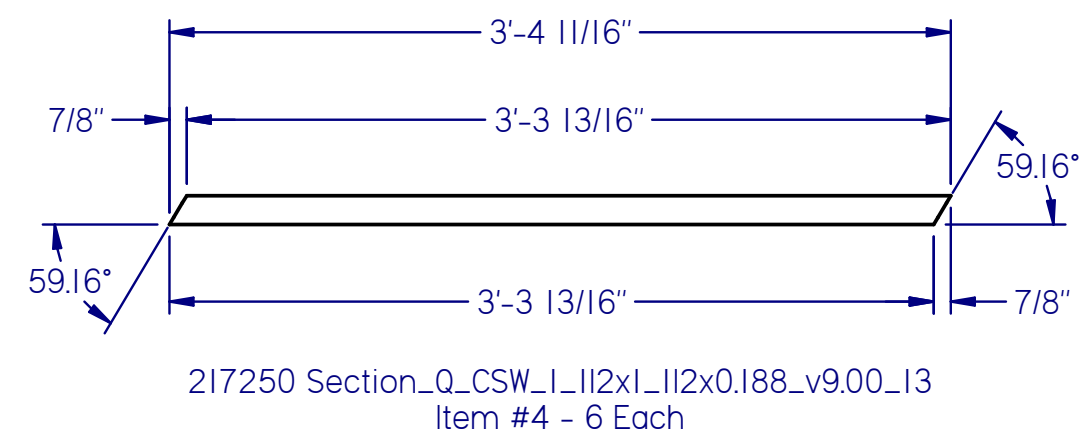
DRAWN BY: wrasmussen
ENGINEERED BY: J.S.Y., M.E.
APPROVED BY: _____
DATE: 7/25/2018
PROJECT NO. 217250-1-1
REV. IFC 1.0

DRAWING NO. **M-39**
SHT **39** OF **45**



NOTE: USE TEMPLATE PROVIDED FOR ITEM #2

LS STAIR RUN CUT LIST		
Item Number	Quantity	File Name
2	2	217250 Section_ASTM_A500_2009_in_10.0x2.00x0.1875_v12.00
3	2	217250 Section_Q_CSW_L_I12xI12x0.188_v9.00_18
4	6	217250 Section_Q_CSW_L_I12xI12x0.188_v9.00_13
5	2	217250 Section_Q_CSW_L_I12xI12x0.188_v9.00_10
6	2	217250 Section_Q_CSW_L_I12xI12x0.188_v9.00_15
7	2	217250 Section_Q_CSW_L_I12xI12x0.188_v9.00_17
8	2	217250 Section_Q_CSW_L_I12xI12x0.188_v9.00_12
9	2	217250 Section_Q_CSW_L_I12xI12x0.188_v9.00_11
10	1	217250 Section_Q_CSW_L_I12xI12x0.188_v9.00_16
11	1	217250 Section_Q_CSW_L_I12xI12x0.188_v9.00_14
12	1	217250 Section_Q_CSW_L_I12xI12x0.188_v9.00_19
18	6	217250 Section_Q_CSW_L_I12xI12x0.188_v9.00_23
21	1	217250 Section_Q_CSW_L_I12xI12x0.188_v9.00_20
22	1	217250 Section_Q_CSW_L_I12xI12x0.188_v9.00_21



1511 SOUTH HIGHWAY 6, PRICE, UT 84501
PHONE: (435) 637-7160 FAX: (435) 637-9601

8221 EAST 96TH AVE, UNIT A, HENDERSON, CO 80640
PHONE: (720) 409-1000

100 VALLEY DRIVE, SOUTHPOINT, OH 45680
PHONE: (740) 414-4770 FAX: (606) 644-0432

400 SWAN AVENUE, CENTRALIA, IL 62801
PHONE: (618) 214-1063 FAX: (606) 644-0442

THIS DOCUMENT CONTAINS CONFIDENTIAL AND/OR PROPRIETARY INFORMATION. ANY USE, REVIEW, RETRANSMISSION, DISSEMINATION OR OTHER USE OF, OR PURSUING OF ANY ACTION IN RELIANCE UPON THIS INFORMATION IS STRICTLY PROHIBITED WITHOUT PROPER AUTHORIZATION FROM INTERMOUNTAIN ELECTRONICS.

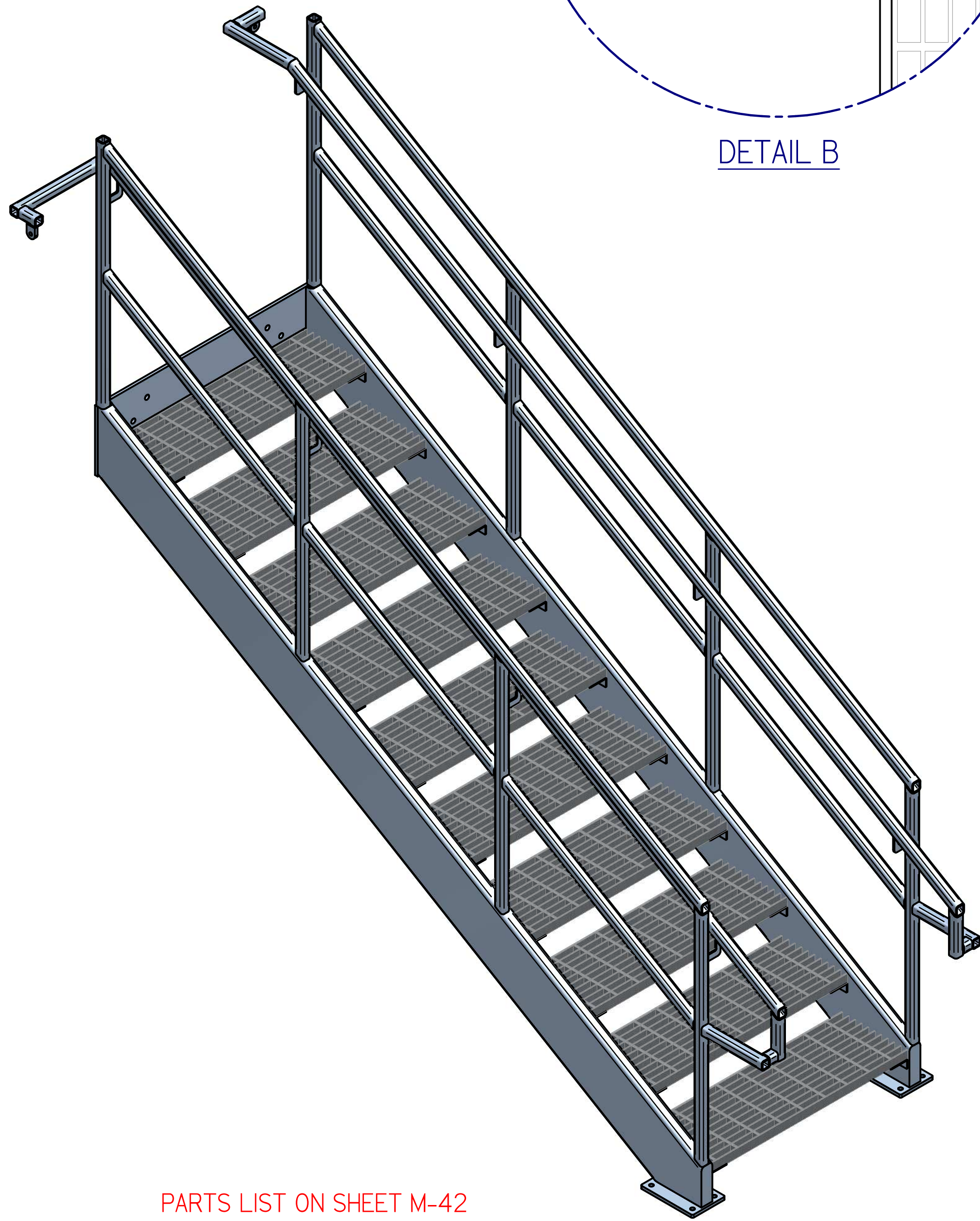
PDC ENERGY
PDC-1000
LS STAIR RUN CUT LIST

REVISIONS

Rev:	Date:	Description:	By:	Approved:
FR 2.0	8/30/2018	ISSUED FOR REVIEW 2.0 - UPDATED PER P. E. L. REDLINES DATED 8/29/2018	WR	JY
FR 3.0	9/4/2018	ISSUED FOR REVIEW 3.0 - UPDATED PER P. E. L. AND ENGINEER REDLINES DATED 8/31/2018	WR	JY
IFC 1.0	9/7/2018	ISSUED FOR CONSTRUCTION	NA	NA
			NA	NA
			NA	NA
			NA	NA

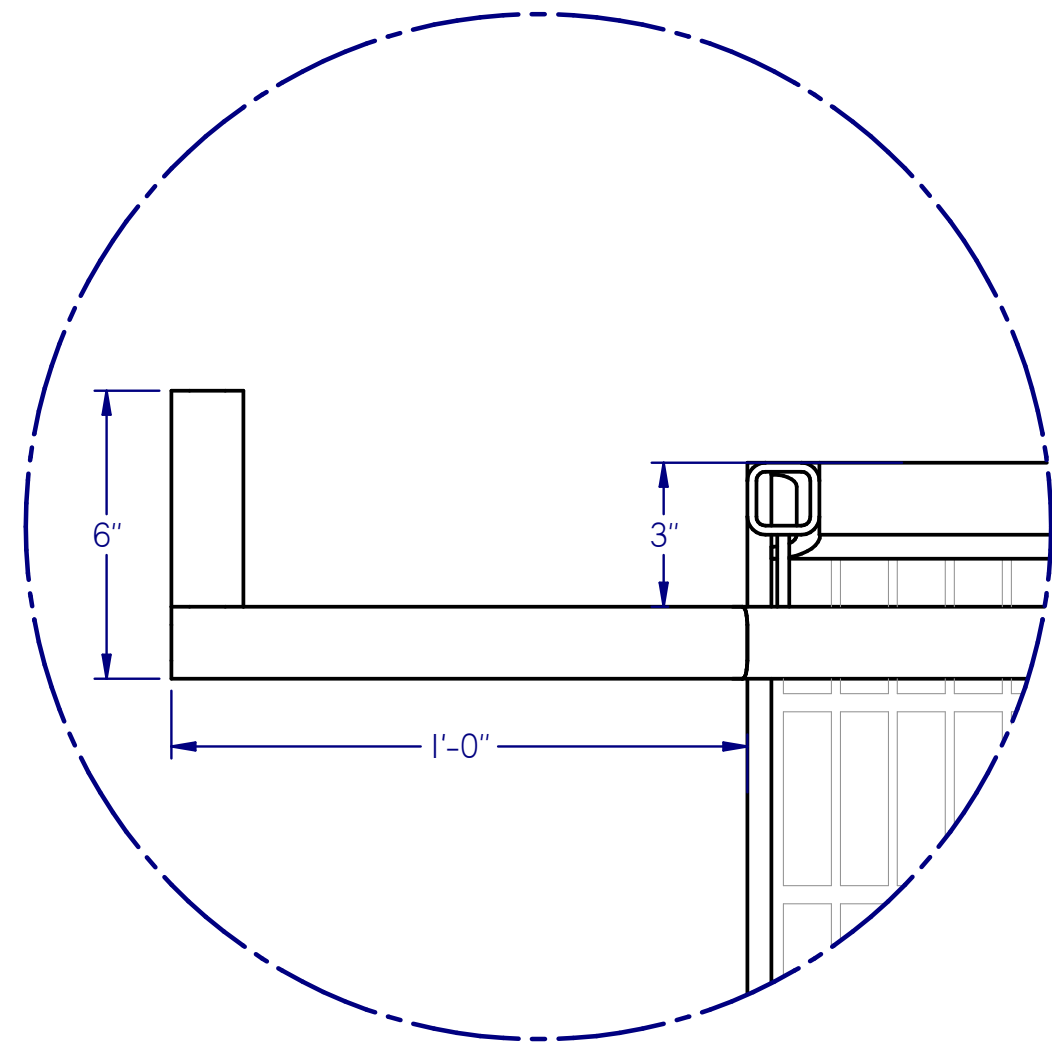
DRAWN BY: wrasmsussen
ENGINEERED BY: J.S.Y., M.E.
APPROVED BY: _____
DATE: 7/25/2018
PROJECT NO. 217250-1-1 REV. IFC 1.0

DRAWING NO. M-40
SHT 40 OF 45

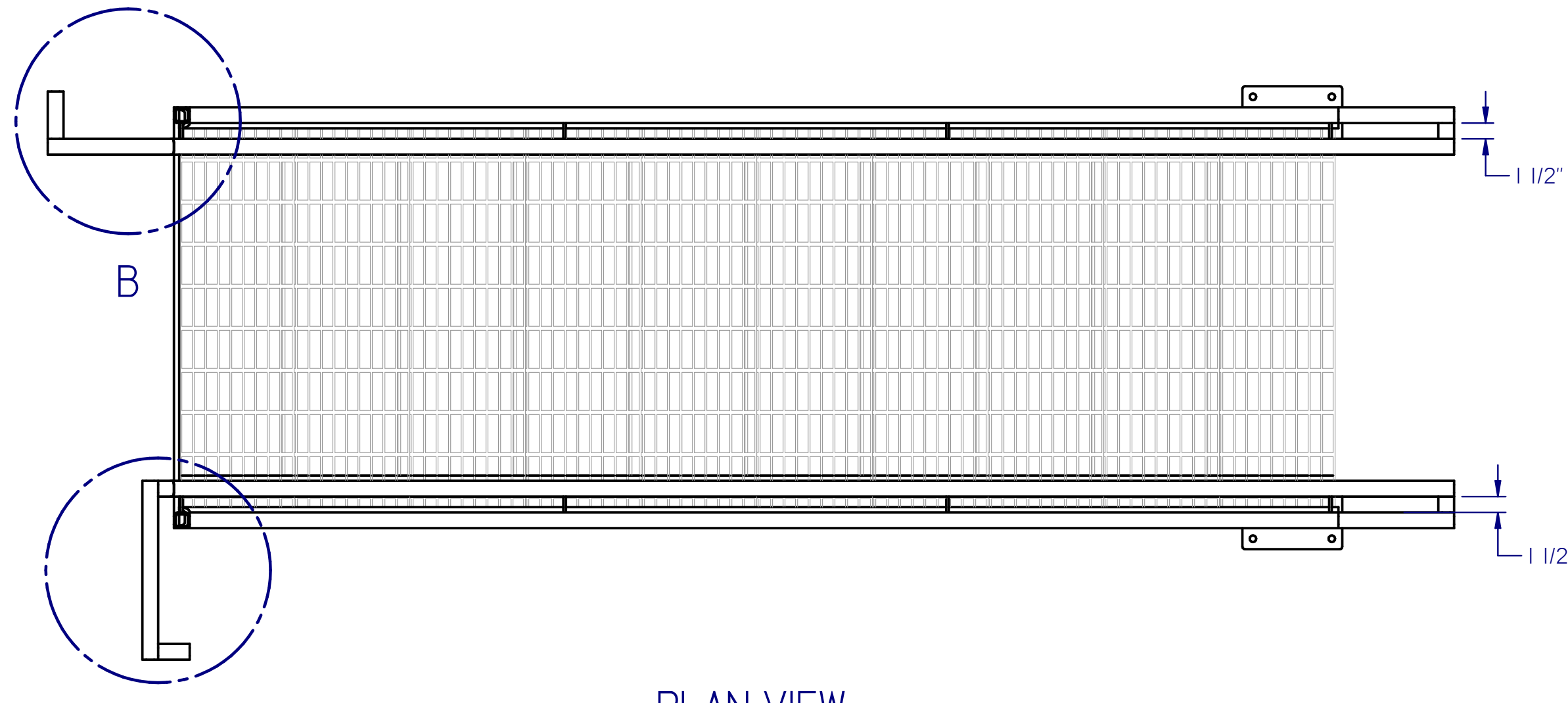


PARTS LIST ON SHEET M-42

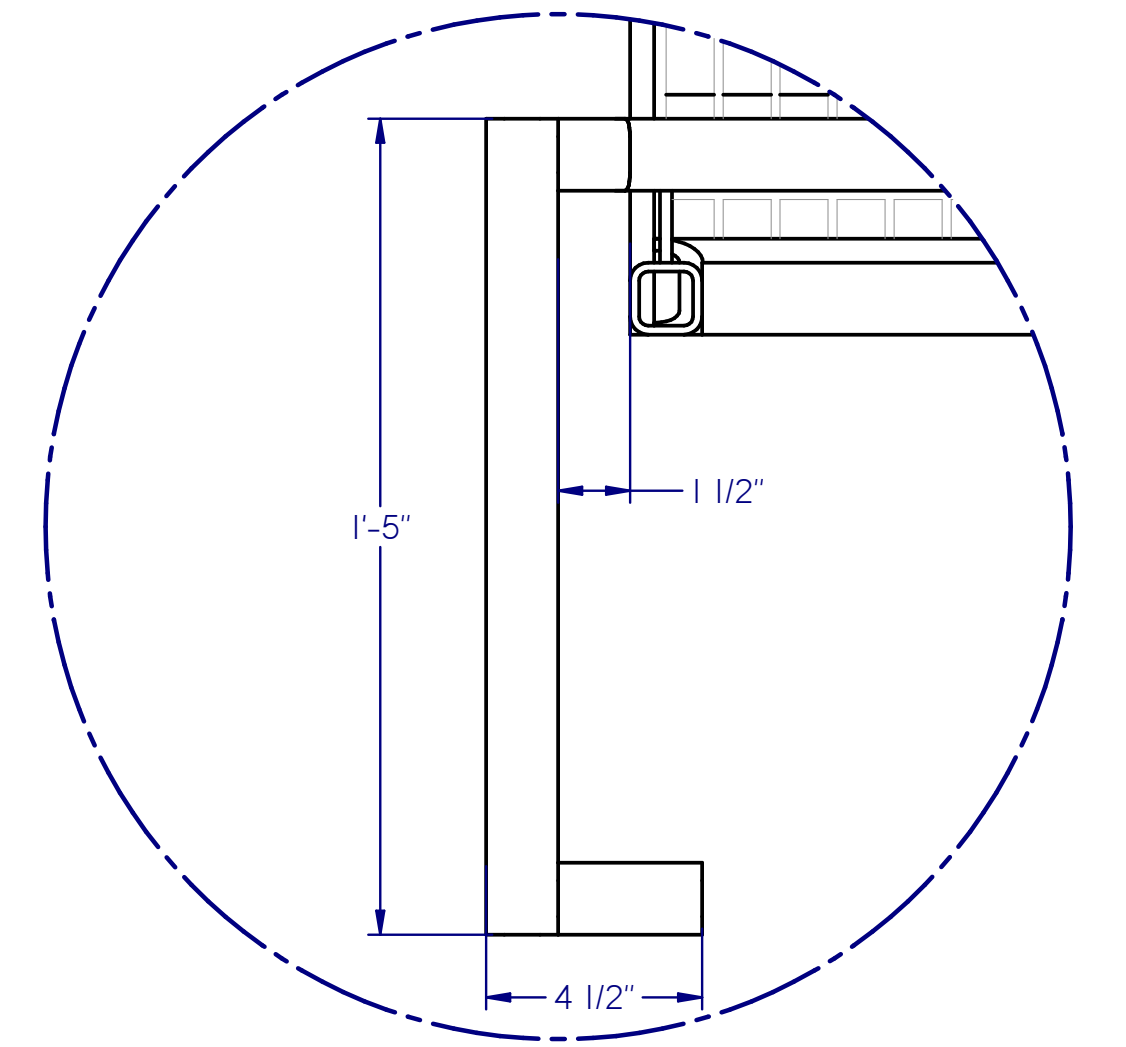
⑥ RS STAIR RUN (1,250 LBS)
1 EACH



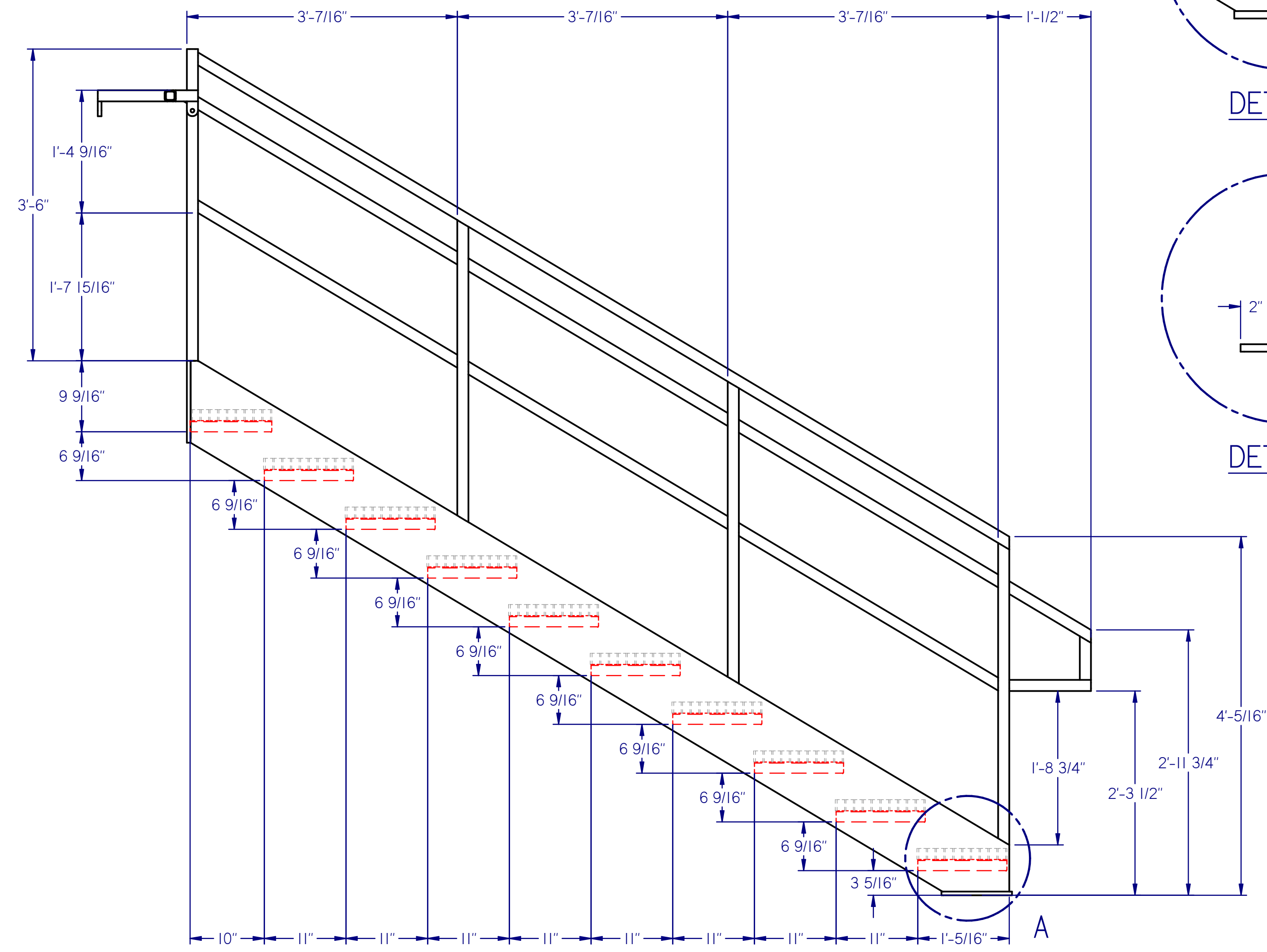
DETAIL B



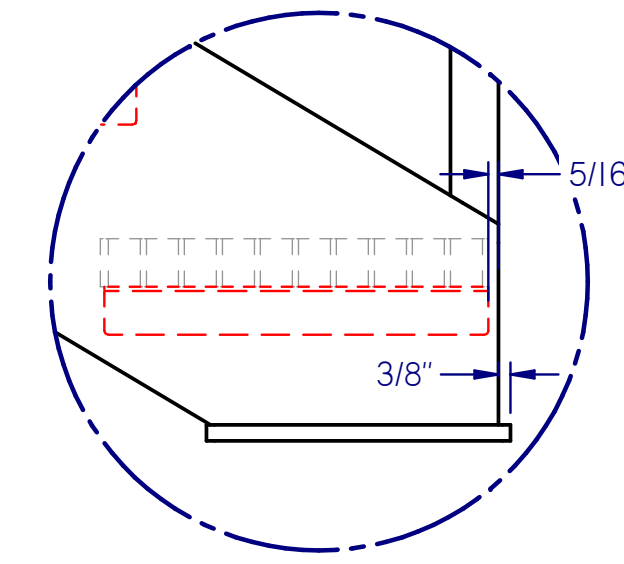
PLAN VIEW



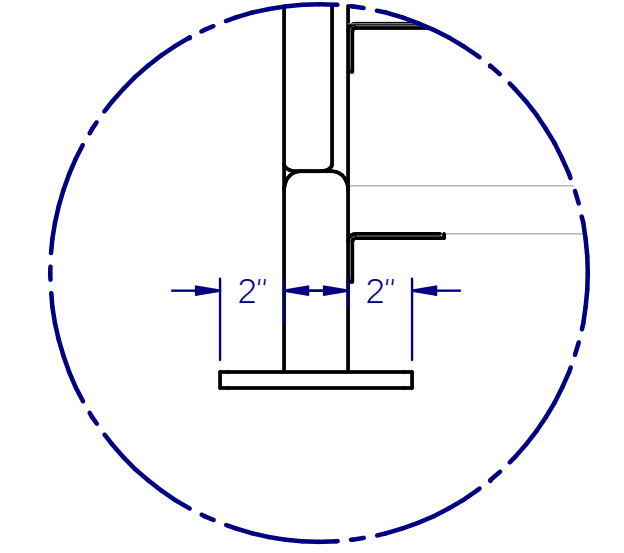
DETAIL A



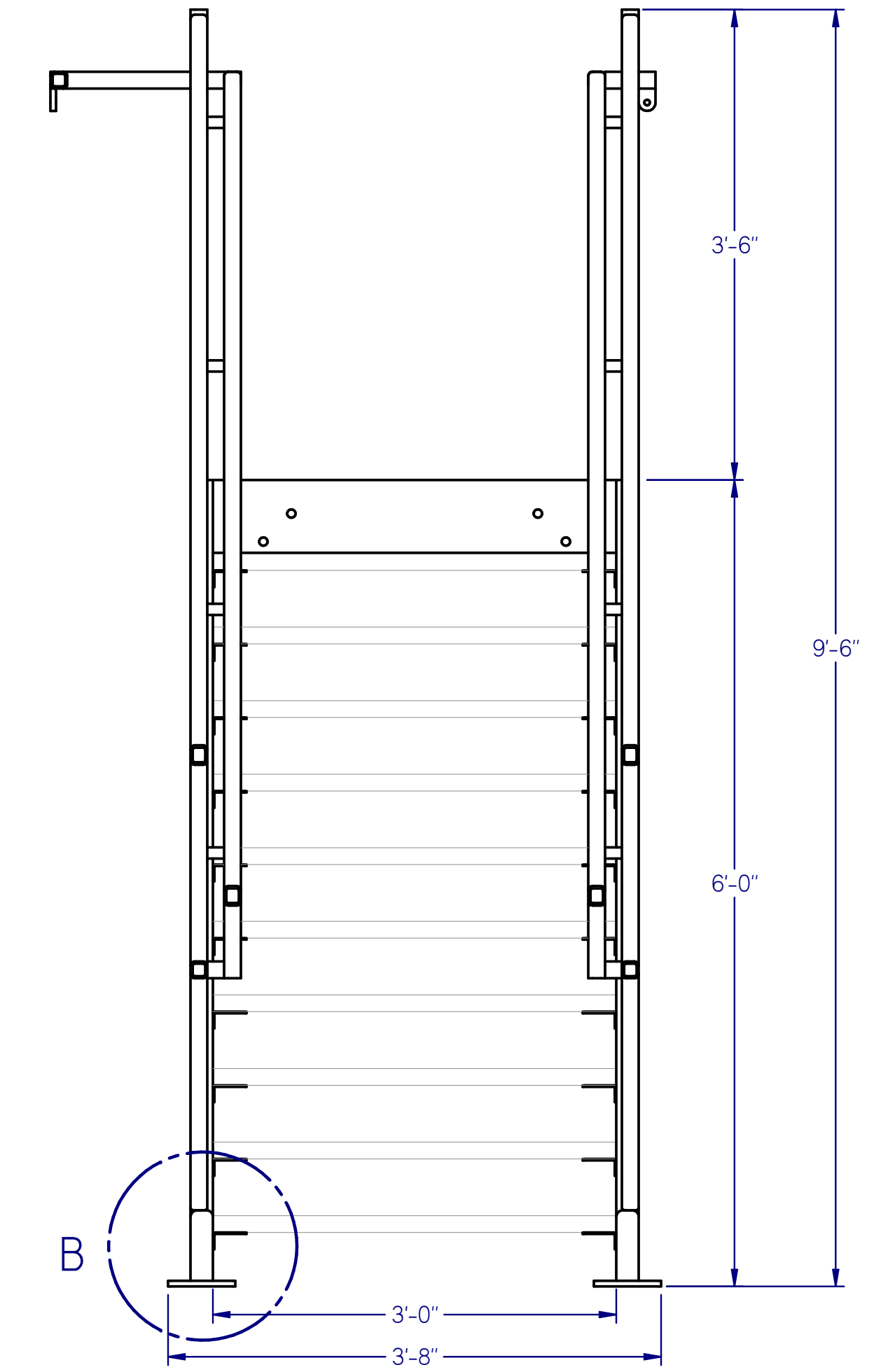
SIDE VIEW



DETAIL A



DETAIL B



FRONT VIEW



1511 SOUTH HIGHWAY 6, PRICE, UT 84501
PHONE: (435) 637-7160 FAX: (435) 637-9601

8221 EAST 96TH AVE, UNIT A, HENDERSON, CO 80640
PHONE: (720) 409-1000

100 VALLEY DRIVE, SOUTHPOINT, OH 45680
PHONE: (740) 414-4770 FAX: (606) 644-0432

400 SWAN AVENUE, CENTRALIA, IL 62801
PHONE: (618) 214-1063 FAX: (606) 644-0442

THIS DOCUMENT CONTAINS
CONFIDENTIAL AND/OR
PROPRIETARY INFORMATION.
ANY USE, REVIEW,
RETRANSMISSION,
DISSEMINATION OR OTHER
USE OF, OR PURSUING OF ANY
ACTION IN RELIANCE UPON THIS
INFORMATION IS STRICTLY
PROHIBITED WITHOUT PROPER
AUTHORIZATION FROM
INTERMOUNTAIN ELECTRONICS.

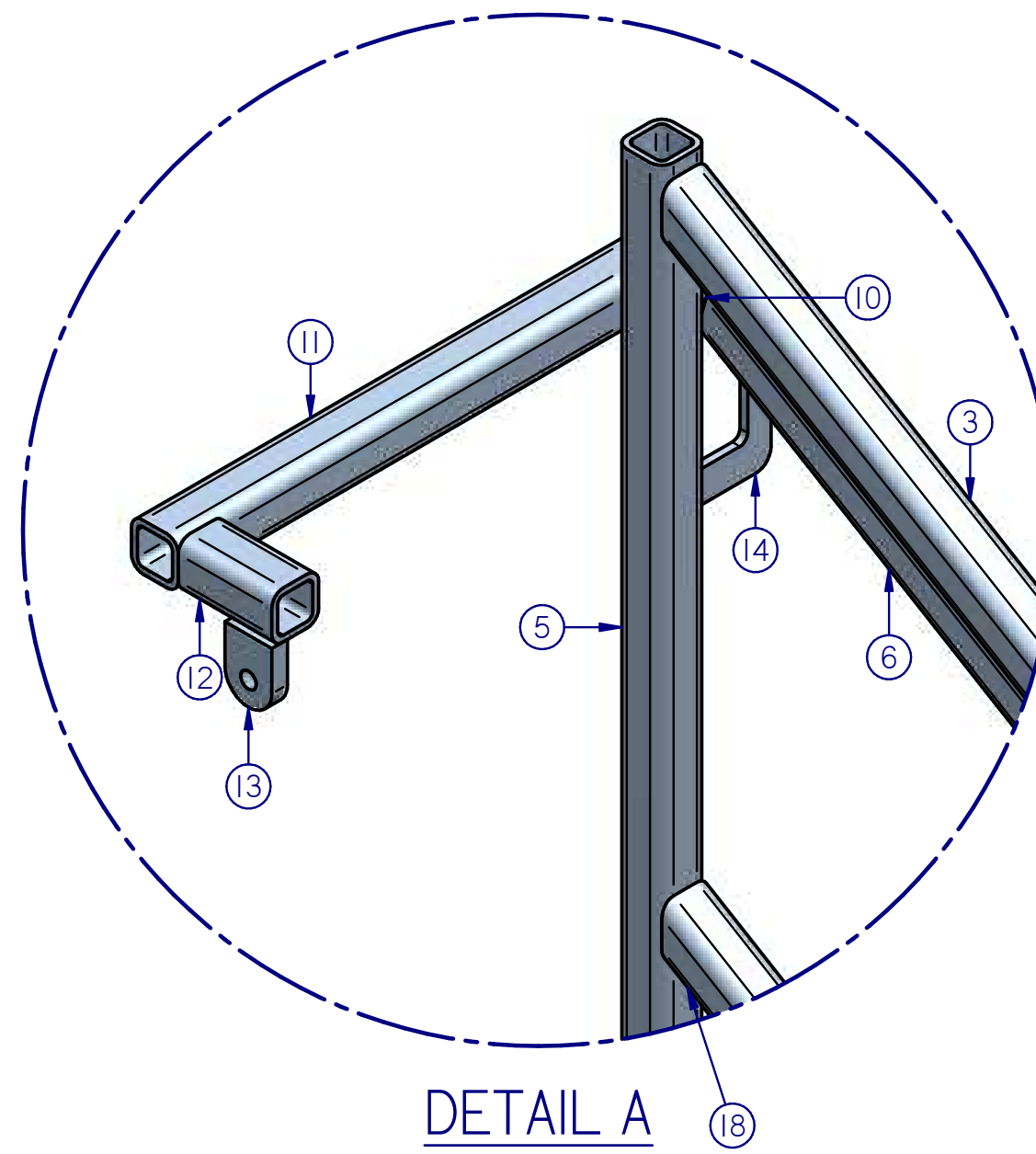
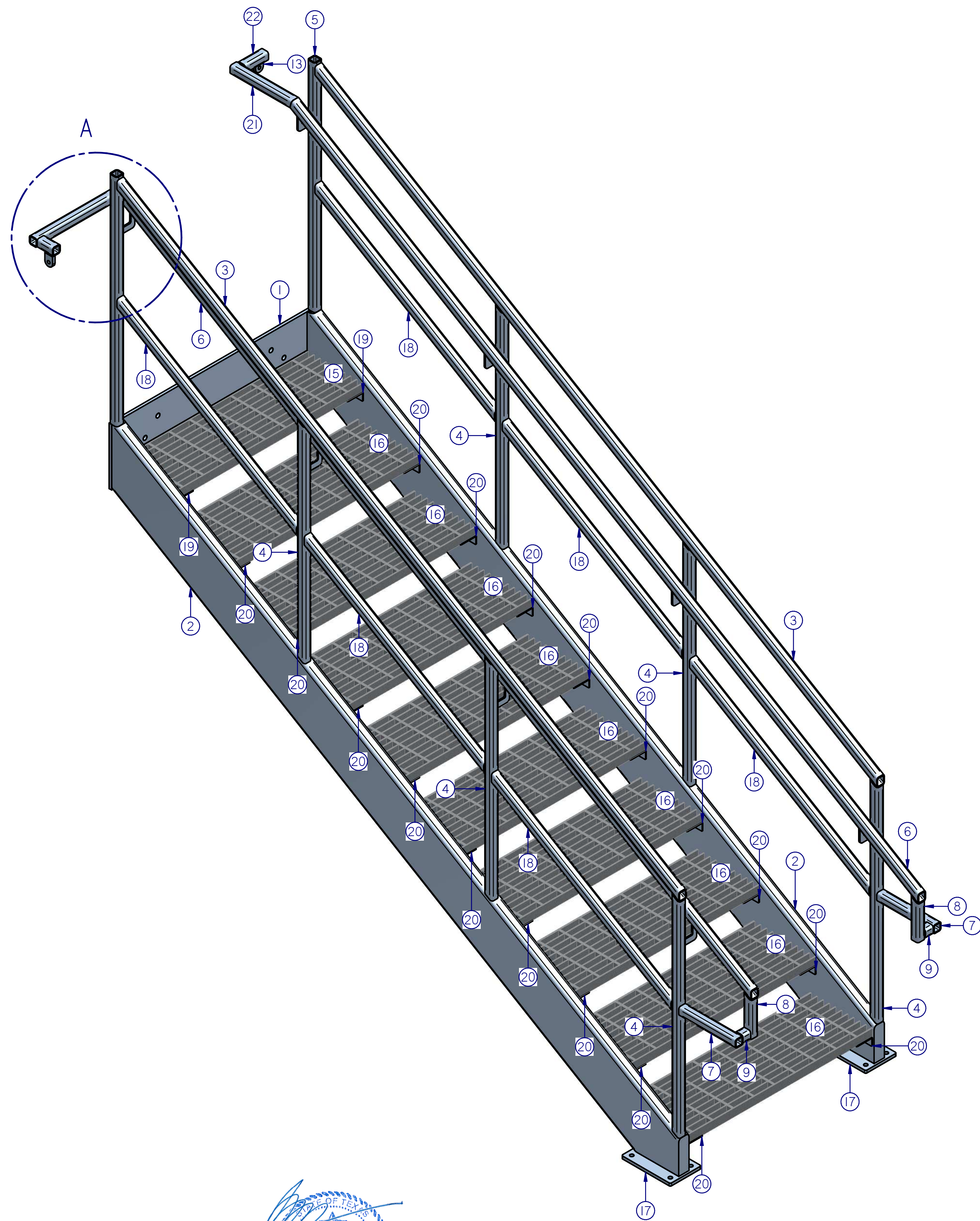
PDC ENERGY
PDC-1000
RS STAIR RUN

REVISIONS

Rev:	Date:	Description:	By:	Approved:
FR 2.0	8/30/2018	ISSUED FOR REVIEW 2.0 - UPDATED PER P. E. L. REDLINES DATED 8/29/2018	WR	JY
FR 3.0	9/4/2018	ISSUED FOR REVIEW 3.0 - UPDATED PER P. E. L. AND ENGINEER REDLINES DATED 8/31/2018	WR	JY
IFC 1.0	9/7/2018	ISSUED FOR CONSTRUCTION	WR	JY
			NA	NA
			NA	NA
			NA	NA
			NA	NA

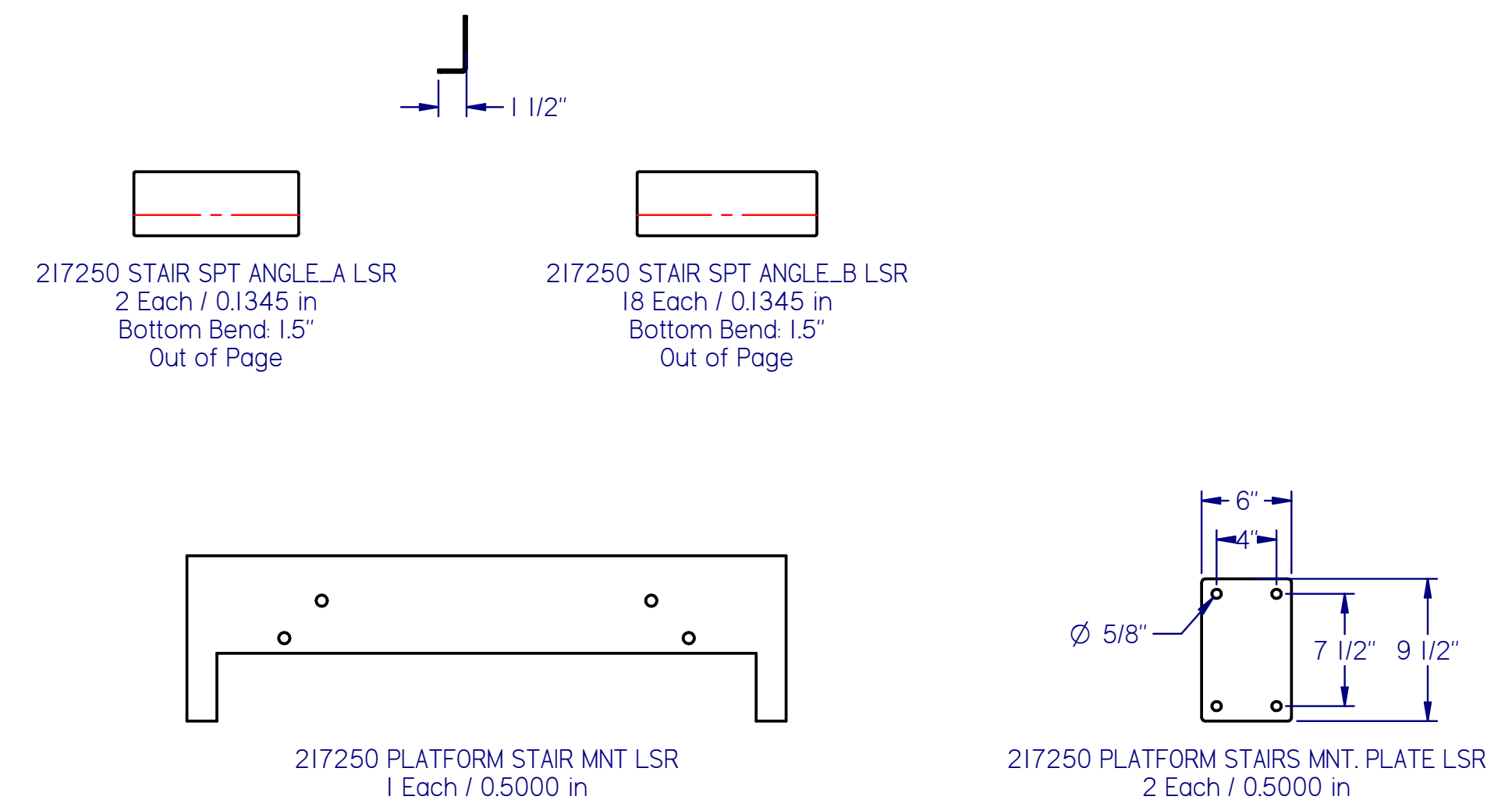
DRAWN BY: wrasmussen
ENGINEERED BY: J.S.Y., M.E.
APPROVED BY: -
DATE: 7/25/2018
PROJECT NO. 217250-1-1
REV. IFC 1.0

DRAWING NO. M-41
SHT 41 OF 45



RS STAIR RUN PARTS LIST		
Item Number	Quantity	File Name
1	1	217250 PLATFORM STAIR MNT LSR
2	2	217250 Section_ASTM_A500_2009_in_10.0x2.00x0.1875_v12.00
3	2	217250 Section_Q_CSW_I_112x1_112x0.188_v9.00_18
4	6	217250 Section_Q_CSW_I_112x1_112x0.188_v9.00_13
5	2	217250 Section_Q_CSW_I_112x1_112x0.188_v9.00_10
6	2	217250 Section_Q_CSW_I_112x1_112x0.188_v9.00_15
7	2	217250 Section_Q_CSW_I_112x1_112x0.188_v9.00_11
8	2	217250 Section_Q_CSW_I_112x1_112x0.188_v9.00_17
9	2	217250 Section_Q_CSW_I_112x1_112x0.188_v9.00_12
10	1	217250 Section_Q_CSW_I_112x1_112x0.188_v9.00_19
11	1	217250 Section_Q_CSW_I_112x1_112x0.188_v9.00_16
12	1	217250 Section_Q_CSW_I_112x1_112x0.188_v9.00_14
13	2	217250 BP B LSR
14	8	217250 HANDRAIL BRKT LSR
15	1	217250 19-W-4 10.9375IN STAIR TREAD
16	9	217250 19-W-4 12.125IN STAIR TREAD
17	2	217250 PLATFORM STAIRS MNT. PLATE LSR
18	6	217250 Section_Q_CSW_I_112x1_112x0.188_v9.00_23
19	2	217250 STAIR SPT ANGLE_A LSR
20	18	217250 STAIR SPT ANGLE_B LSR
21	1	217250 Section_Q_CSW_I_112x1_112x0.188_v9.00_20
22	1	217250 Section_Q_CSW_I_112x1_112x0.188_v9.00_21

CUT LIST DETAILS ON SHEET M-43



THE ACCOMPANYING PROFESSIONAL ENGINEER'S SEAL APPLIES TO THE STRUCTURAL ELEMENTS ONLY.



1511 SOUTH HIGHWAY 6, PRICE, UT 84501
PHONE: (435) 637-7160 FAX: (435) 637-9601
8221 EAST 96TH AVE, UNIT A, HENDERSON, CO 80640
PHONE: (720) 409-1000
100 VALLEY DRIVE, SOUTHPOINT, OH 45680
PHONE: (740) 414-4770 FAX: (606) 644-0432
400 SWAN AVENUE, CENTRALIA, IL 62801
PHONE: (618) 214-1063 FAX: (606) 644-0442

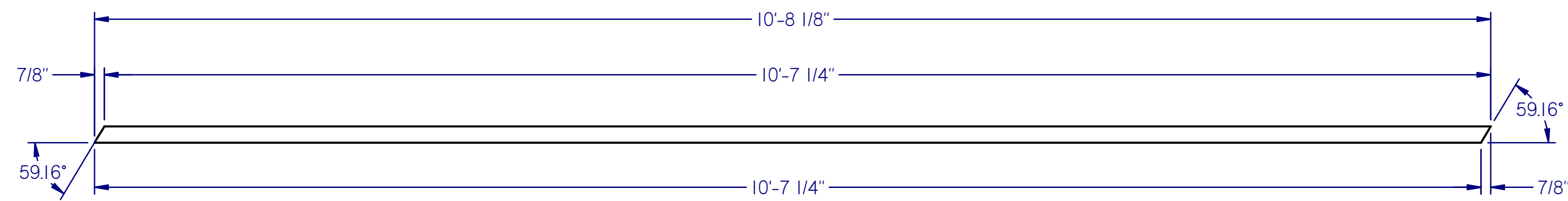
THIS DOCUMENT CONTAINS CONFIDENTIAL AND/OR PROPRIETARY INFORMATION. ANY USE, REVIEW, RETRANSMISSION, DISSEMINATION OR OTHER USE OF, OR PURSUING OF ANY ACTION IN RELIANCE UPON THIS INFORMATION IS STRICTLY PROHIBITED WITHOUT PROPER AUTHORIZATION FROM INTERMOUNTAIN ELECTRONICS.

PDC ENERGY
PDC-1000
RS STAIR RUN PARTS LIST

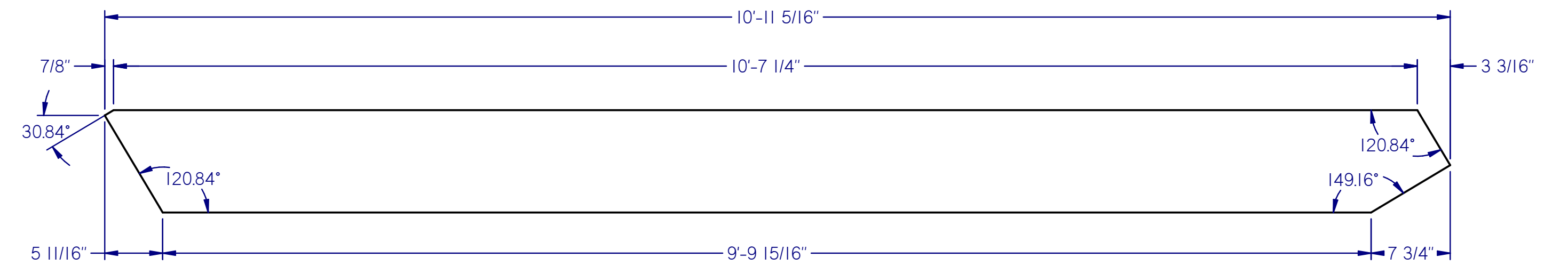
REVISIONS				
Rev:	Date:	Description:	By:	Approved:
FR 2.0	8/30/2018	ISSUED FOR REVIEW 2.0 - UPDATED PER P. E. L. REDLINES DATED 8/29/2018	WR	JY
FR 3.0	9/4/2018	ISSUED FOR REVIEW 3.0 - UPDATED PER P. E. L. AND ENGINEER REDLINES DATED 8/31/2018	WR	JY
IFC 1.0	9/7/2018	ISSUED FOR CONSTRUCTION	NA	NA
			NA	NA
			NA	NA
			NA	NA

DRAWN BY: wrasmussen
ENGINEERED BY: J.S.Y., M.E.
APPROVED BY: _____
DATE: 7/25/2018
PROJECT NO. 217250-1-1
REV. IFC 1.0

DRAWING NO. M-42
SHT 42 OF 45



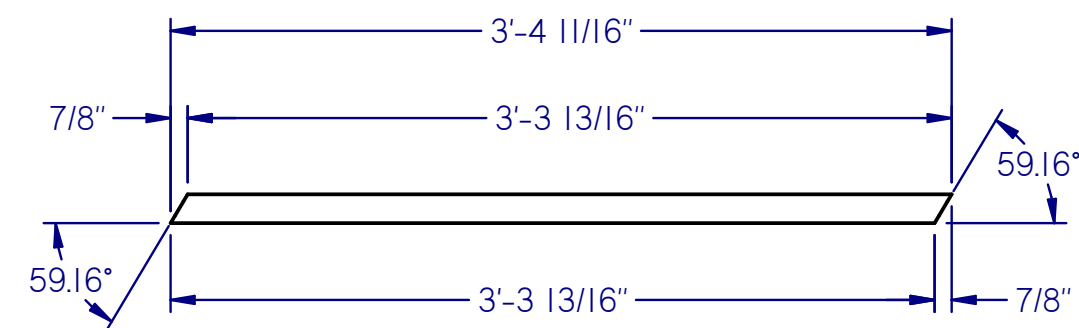
217250 Section_Q_CSW_I_112xI_112x0.188_v9.00_18
Item #3 - 2 Each



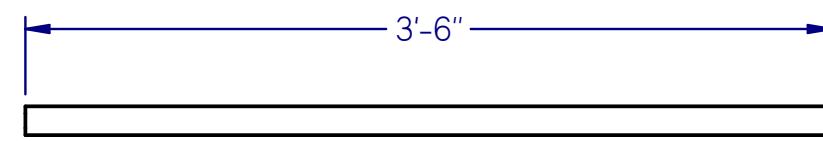
217250 Section_ASTM_A500_2009_in_10.0x2.00x0.1875_v12.00
Item #2 - 2 Each

NOTE: USE TEMPLATE PROVIDED FOR ITEM #2

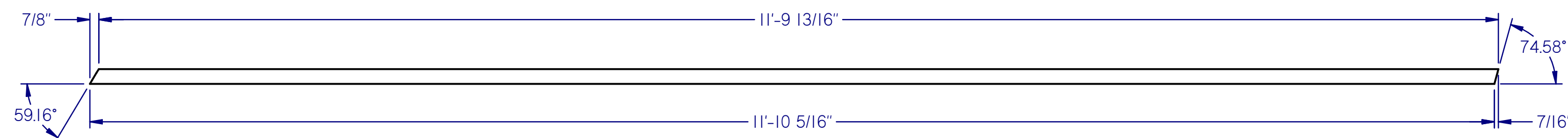
RS STAIR RUN CUT LIST		
Item Number	Quantity	File Name
2	2	217250 Section_ASTM_A500_2009_in_10.0x2.00x0.1875_v12.00
3	2	217250 Section_Q_CSW_I_112xI_112x0.188_v9.00_18
4	6	217250 Section_Q_CSW_I_112xI_112x0.188_v9.00_13
5	2	217250 Section_Q_CSW_I_112xI_112x0.188_v9.00_10
6	2	217250 Section_Q_CSW_I_112xI_112x0.188_v9.00_15
7	2	217250 Section_Q_CSW_I_112xI_112x0.188_v9.00_11
8	2	217250 Section_Q_CSW_I_112xI_112x0.188_v9.00_17
9	2	217250 Section_Q_CSW_I_112xI_112x0.188_v9.00_12
10	1	217250 Section_Q_CSW_I_112xI_112x0.188_v9.00_19
11	1	217250 Section_Q_CSW_I_112xI_112x0.188_v9.00_16
12	1	217250 Section_Q_CSW_I_112xI_112x0.188_v9.00_14
18	6	217250 Section_Q_CSW_I_112xI_112x0.188_v9.00_23
21	1	217250 Section_Q_CSW_I_112xI_112x0.188_v9.00_20
22	1	217250 Section_Q_CSW_I_112xI_112x0.188_v9.00_21



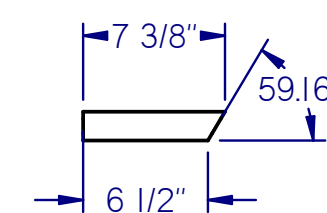
217250 Section_Q_CSW_I_112xI_112x0.188_v9.00_13
Item #4 - 6 Each



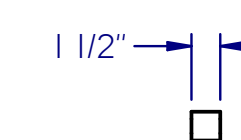
217250 Section_Q_CSW_I_112xI_112x0.188_v9.00_10
Item #5 - 2 Each



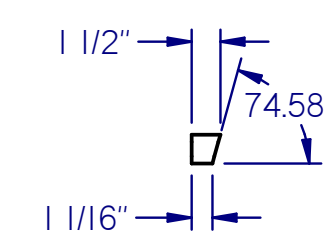
217250 Section_Q_CSW_I_112xI_112x0.188_v9.00_15
Item #6 - 2 Each



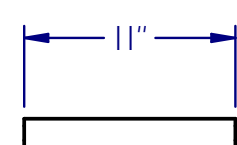
217250 Section_Q_CSW_I_112xI_112x0.188_v9.00_17
Item #8 - 2 Each



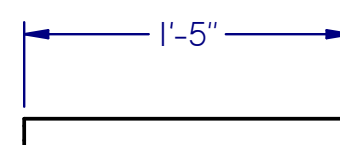
217250 Section_Q_CSW_I_112xI_112x0.188_v9.00_12
Item #9 - 2 Each



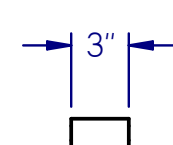
217250 Section_Q_CSW_I_112xI_112x0.188_v9.00_19
Item #10 - 1 Each



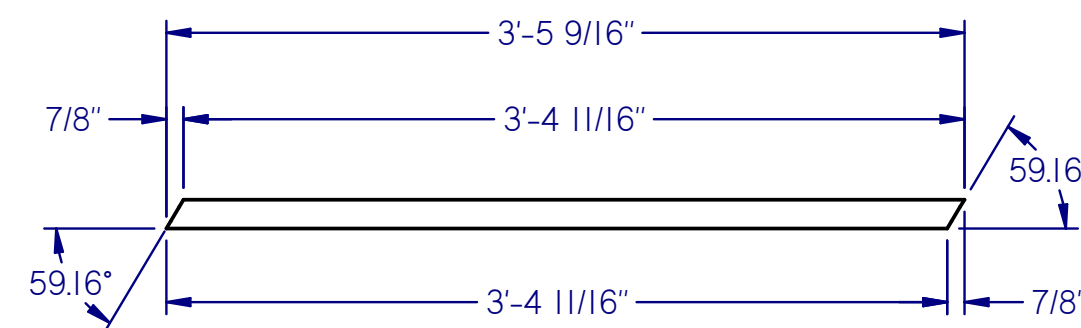
217250 Section_Q_CSW_I_112xI_112x0.188_v9.00_11
Item #7 - 2 Each



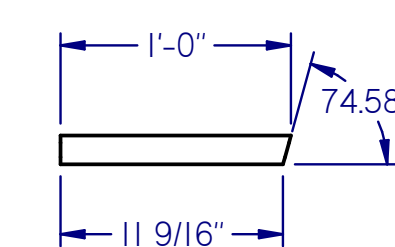
217250 Section_Q_CSW_I_112xI_112x0.188_v9.00_16
Item #11 - 1 Each



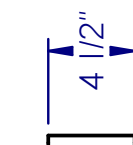
217250 Section_Q_CSW_I_112xI_112x0.188_v9.00_14
Item #12 - 1 Each



217250 Section_Q_CSW_I_112xI_112x0.188_v9.00_23
Item #18 - 6 Each



217250 Section_Q_CSW_I_112xI_112x0.188_v9.00_20
Item #21 - 1 Each



217250 Section_Q_CSW_I_112xI_112x0.188_v9.00_21
Item #22 - 1 Each



1511 SOUTH HIGHWAY 6, PRICE, UT 84501
PHONE: (435) 637-7160 FAX: (435) 637-9601

8221 EAST 96TH AVE, UNIT A, HENDERSON, CO 80640
PHONE: (720) 409-1000

100 VALLEY DRIVE, SOUTHPOINT, OH 45680
PHONE: (740) 414-4770 FAX: (606) 644-0432

400 SWAN AVENUE, CENTRALIA, IL 62801
PHONE: (618) 214-1063 FAX: (606) 644-0442

THIS DOCUMENT CONTAINS
CONFIDENTIAL AND/OR
PROPRIETARY INFORMATION.
ANY USE, REVIEW,
RETRANSMISSION,
DISSEMINATION OR OTHER
USE OF, OR PURSUING OF ANY
ACTION IN RELIANCE UPON THIS
INFORMATION IS STRICTLY
PROHIBITED WITHOUT PROPER
AUTHORIZATION FROM
INTERMOUNTAIN ELECTRONICS.

PDC ENERGY
PDC-1000
RS STAIR RUN CUT LIST

REVISIONS

Rev:	Date:	Description:	By:	Approved:
FR 2.0	8/30/2018	ISSUED FOR REVIEW 2.0 - UPDATED PER P. E. L. REDLINES DATED 8/29/2018	WR	JY
FR 3.0	9/4/2018	ISSUED FOR REVIEW 3.0 - UPDATED PER P. E. L. AND ENGINEER REDLINES DATED 8/31/2018	WR	JY
IFC 1.0	9/7/2018	ISSUED FOR CONSTRUCTION	WR	JY
			NA	NA
			NA	NA
			NA	NA
			NA	NA

DRAWN BY: wrasmussen
ENGINEERED BY: J.S.Y., M.E.
APPROVED BY: _____
DATE: 7/25/2018
PROJECT NO. 217250-1-1
REV. IFC 1.0

DRAWING NO. M-43
SHT 43 OF 45

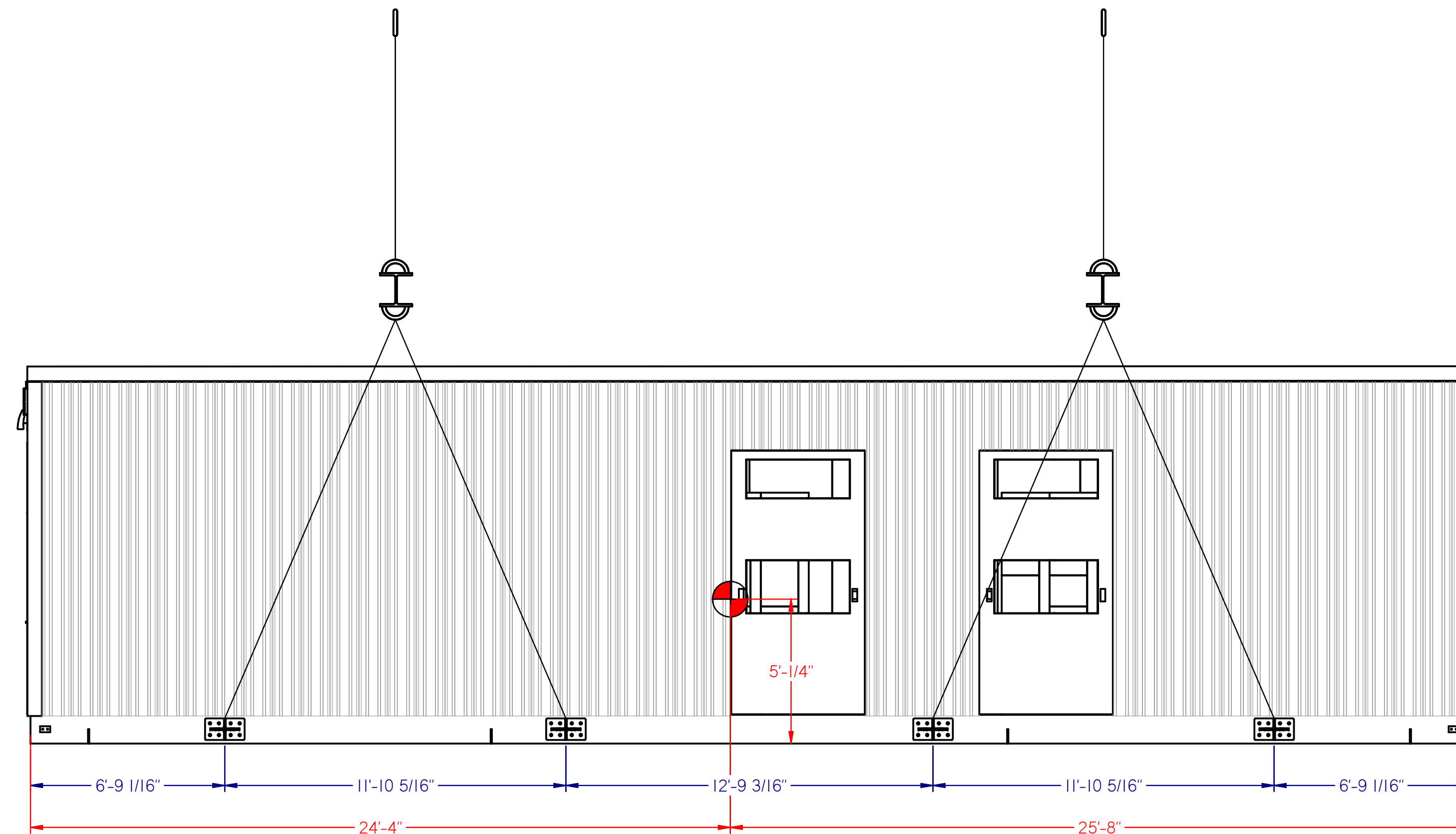
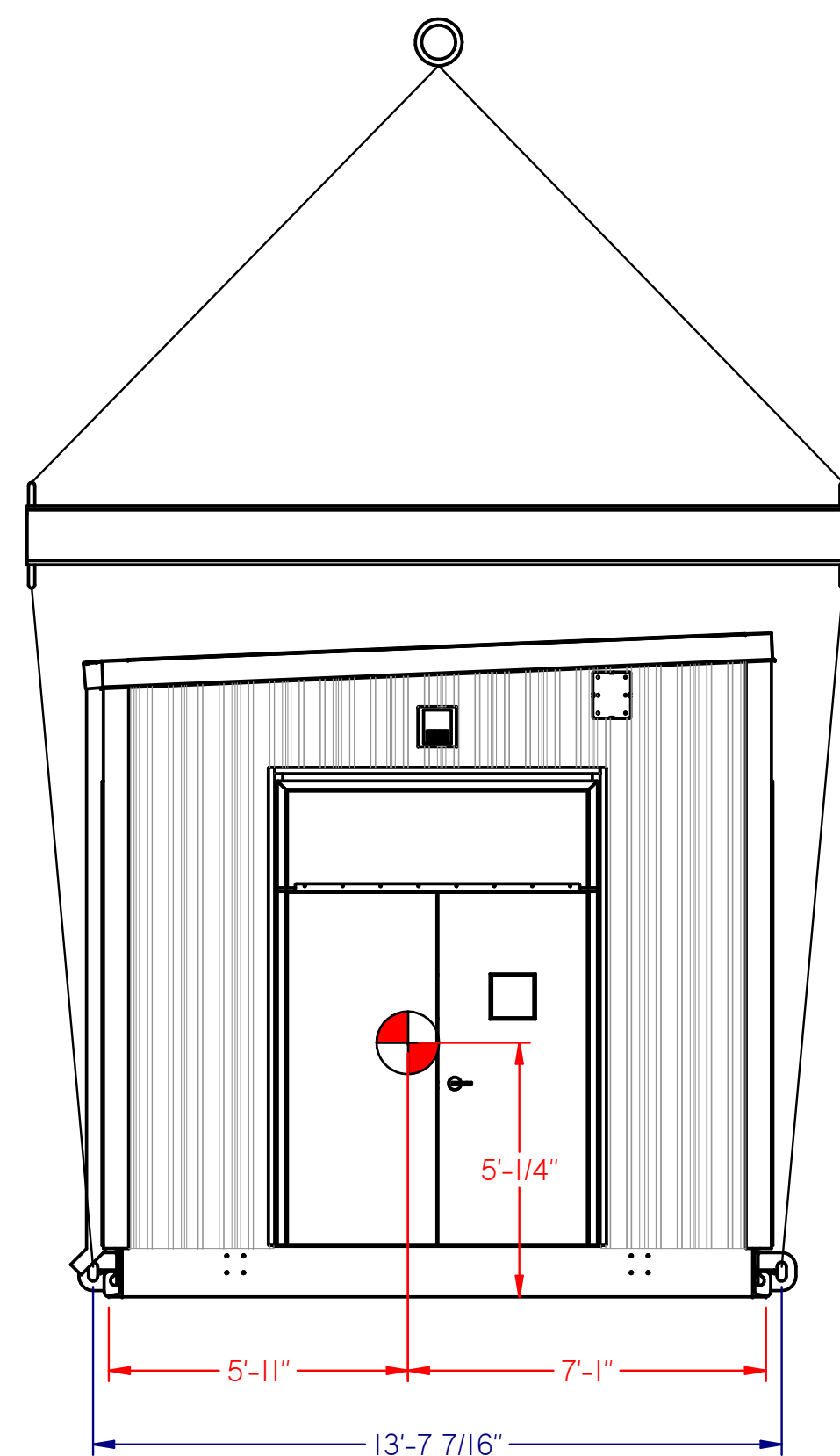
NOTICE: UTILIZE ALL 8 LIFT LOCATIONS USING THE PROVIDED LIFTING EYES. ANGLE OF LIFTING CABLES SHALL NOT EXCEED 30 DEGREES FROM VERTICAL

EXAMPLE FOUR POINT LIFTING PLAN BOTTOM LIFT APPROACH

ESTIMATED BUILDING SHIPPING WEIGHT: 63,500 LBS
(SOME EQUIPMENT WEIGHTS ASSUMED, EXCLUDES ANY FUTURE FIELD INSTALLED EQUIPMENT, CABLE TRAY, SHIP LOOSE HVAC'S, AND PLATFORMS & STAIRS)

This drawing is not to scale, has not been designed, engineered, or tested for any specific building or loading conditions, and is merely a suggested approach to lift an Intermountain Electronics building.

Intermountain Electronics is not responsible for the design, engineering, or testing of any rigging or lifting devices used to lift or move an Intermountain Electronics building.



- 1511 SOUTH HIGHWAY 6, PRICE, UT 84501
PHONE: (435) 637-7160 FAX: (435) 637-9601
- 8221 EAST 96TH AVE, UNIT A, HENDERSON, CO 80640
PHONE: (720) 409-1000
- 100 VALLEY DRIVE, SOUTHPOINT, OH 45680
PHONE: (740) 414-4770 FAX: (606) 644-0432
- 400 SWAN AVENUE, CENTRALIA, IL 62801
PHONE: (618) 214-1063 FAX: (606) 644-0442

THIS DOCUMENT CONTAINS CONFIDENTIAL AND/OR PROPRIETARY INFORMATION. ANY USE, REVIEW, RETRANSMISSION, DISSEMINATION OR OTHER USE OF, OR PURSUING OF ANY ACTION IN RELIANCE UPON THIS INFORMATION IS STRICTLY PROHIBITED WITHOUT PROPER AUTHORIZATION FROM INTERMOUNTAIN ELECTRONICS.

PDC ENERGY
PDC-1000
LIFT PLAN

REVISIONS

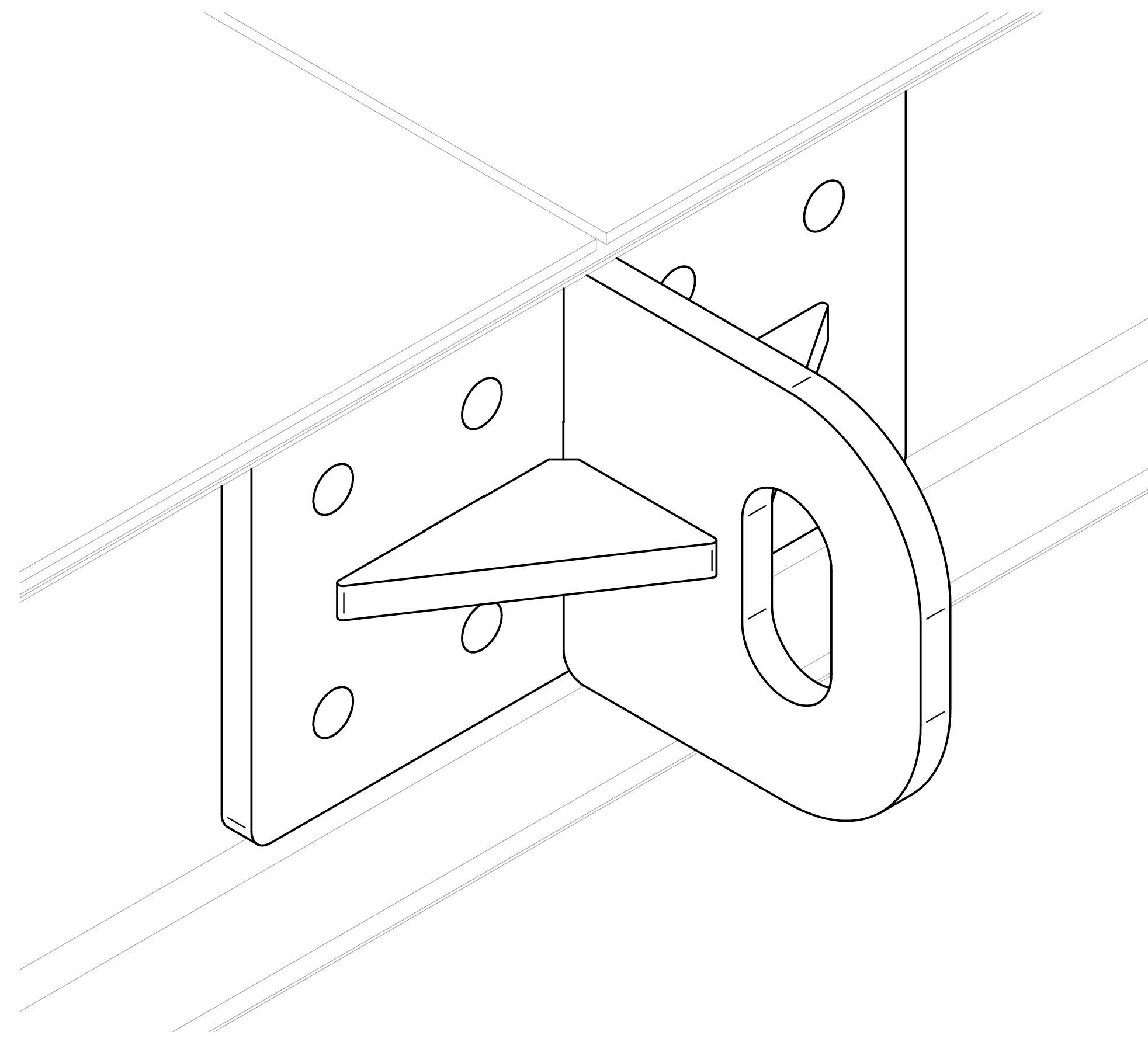
Rev:	Date:	Description:	By:	Approved:
FR 2.0	8/30/2018	ISSUED FOR REVIEW 2.0 - UPDATED PER P. E. L. REDLINES DATED 8/29/2018	WR	JY
FR 3.0	9/4/2018	ISSUED FOR REVIEW 3.0 - UPDATED PER P. E. L. AND ENGINEER REDLINES DATED 8/31/2018	WR	JY
IFC 1.0	9/7/2018	ISSUED FOR CONSTRUCTION	WR	JY
			NA	NA
			NA	NA
			NA	NA
			NA	NA

DRAWN BY: wrasmussen
ENGINEERED BY: J.S.Y., M.E.
APPROVED BY: _____
DATE: 7/25/2018
PROJECT NO. 217250-1-1 REV. IFC 1.0

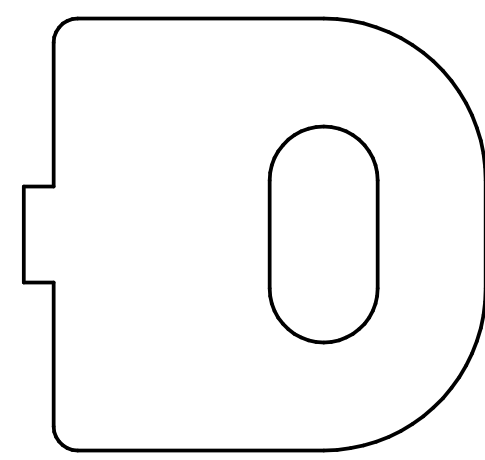
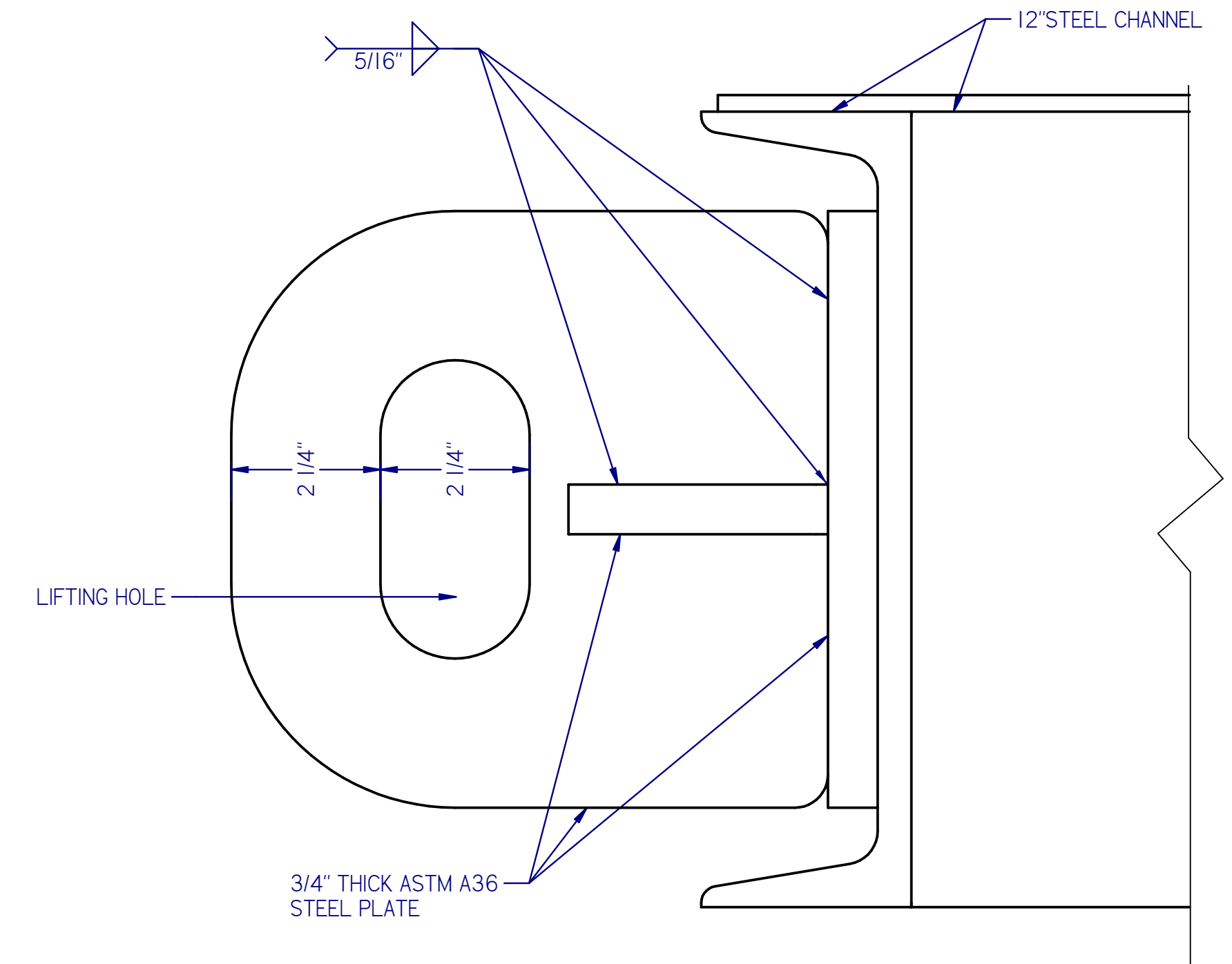
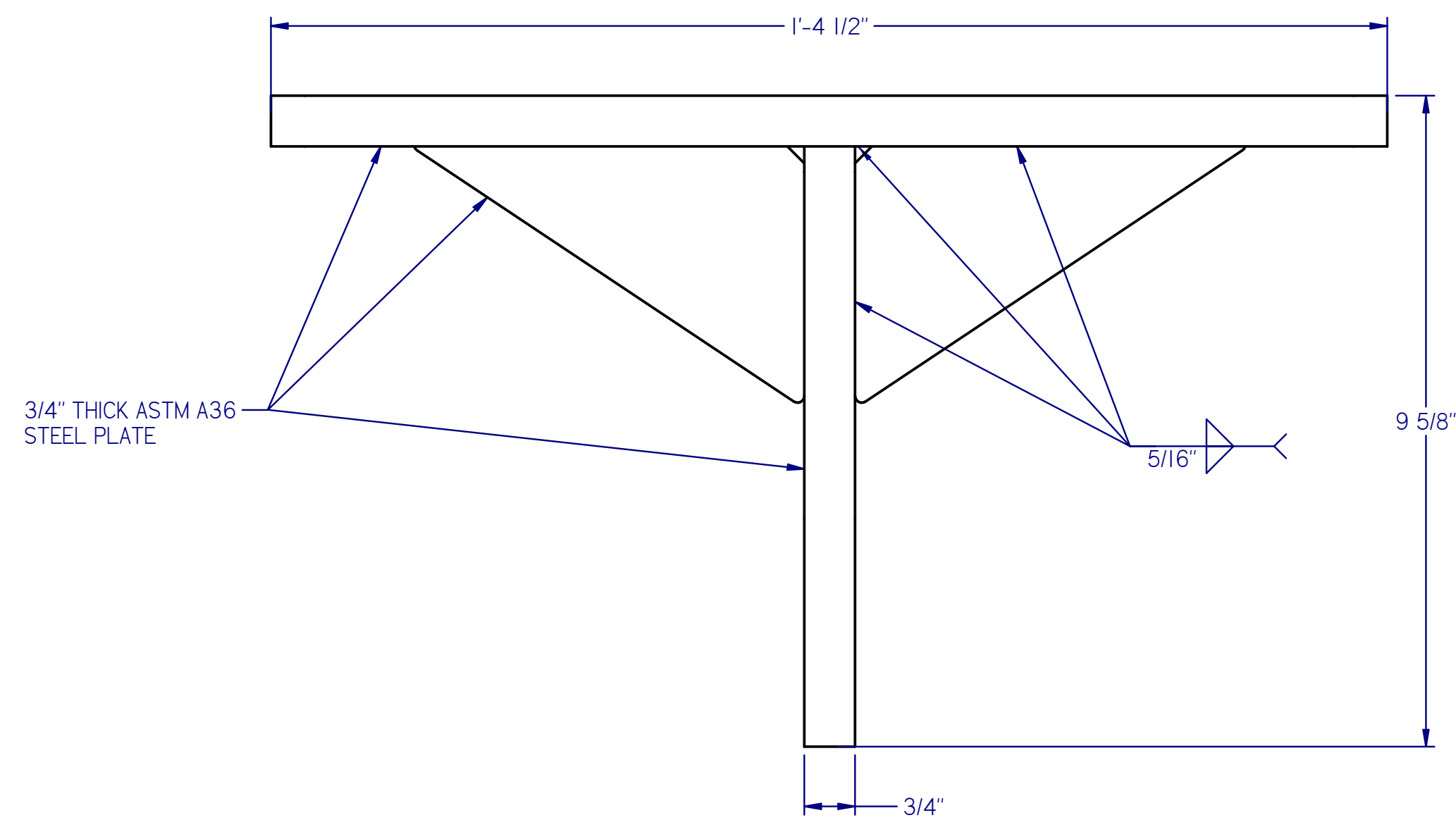
DRAWING NO.

M-44

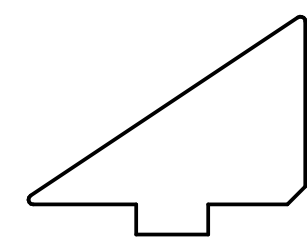
SHT 44 OF 45



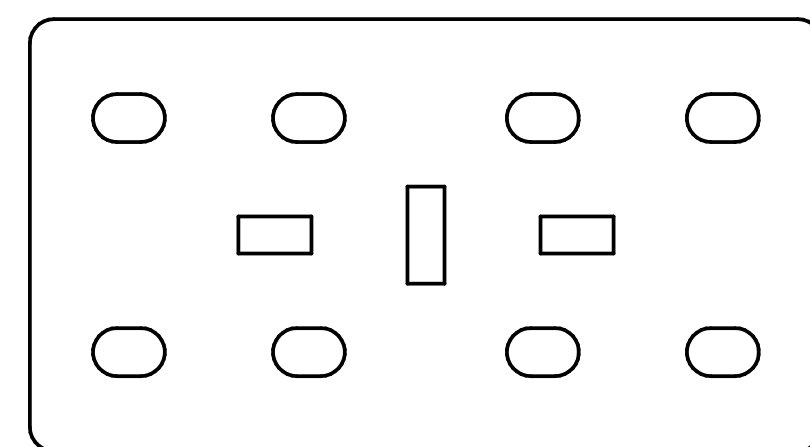
LIFTING LUG ISOMETRIC



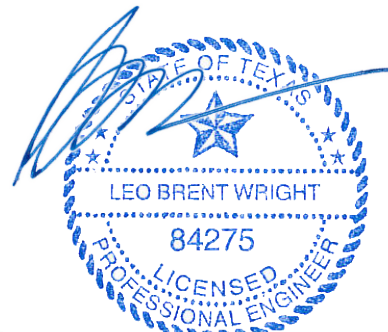
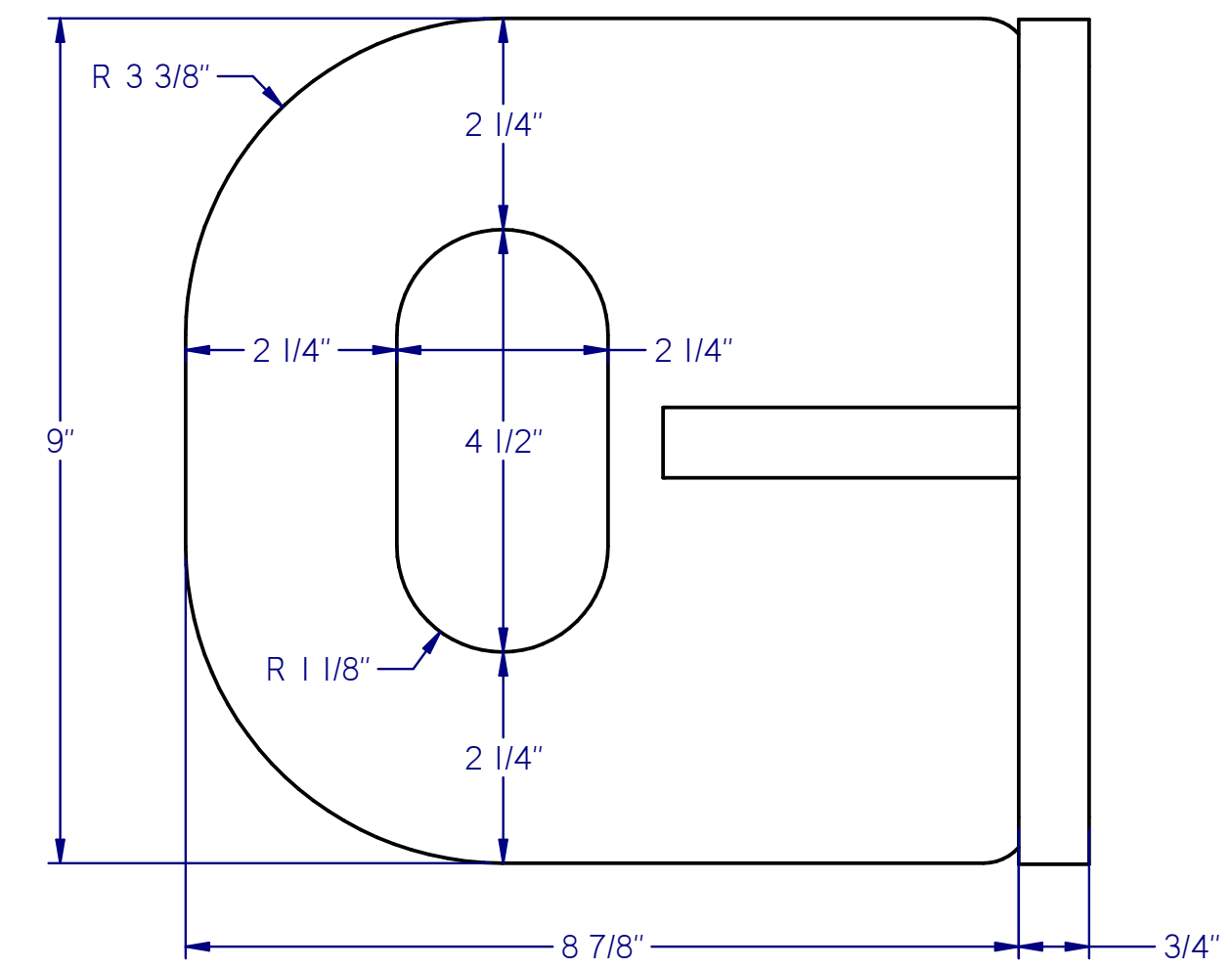
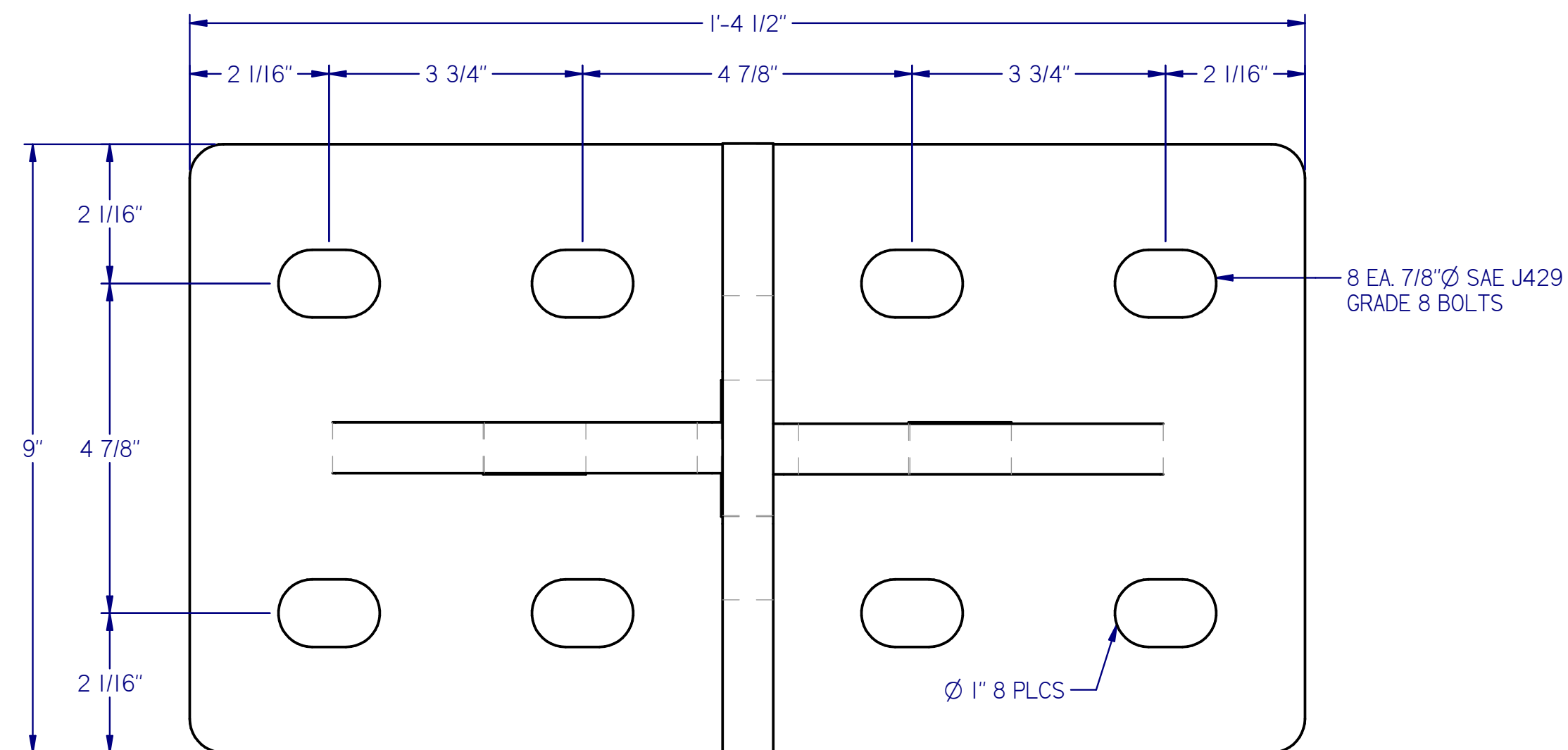
LIFTING EYE LSR
1 Each / 0.7500 in.



12 INCH CHANNEL LIFTING GUSSET
2 Each / 0.7500 in.



LIFTING EYE BASE LSR
1 Each / 0.7500 in.



Wright Engineers
Firm #: 14071
09/11/2018

THE ACCOMPANYING PROFESSIONAL ENGINEER'S SEAL APPLIES TO THE STRUCTURAL ELEMENTS ONLY.



- 1511 SOUTH HIGHWAY 6, PRICE, UT 84501
PHONE: (435) 637-7160 FAX: (435) 637-9601
- 8221 EAST 96TH AVE, UNIT A, HENDERSON, CO 80640
PHONE: (720) 409-1000
- 100 VALLEY DRIVE, SOUTHPOINT, OH 45680
PHONE: (740) 414-4770 FAX: (606) 644-0432
- 400 SWAN AVENUE, CENTRALIA, IL 62801
PHONE: (618) 214-1063 FAX: (606) 644-0442

THIS DOCUMENT CONTAINS CONFIDENTIAL AND/OR PROPRIETARY INFORMATION. ANY USE, REVIEW, RETRANSMISSION, DISSEMINATION OR OTHER USE OF, OR PURSUING OF ANY ACTION IN RELIANCE UPON THIS INFORMATION IS STRICTLY PROHIBITED WITHOUT PROPER AUTHORIZATION FROM INTERMOUNTAIN ELECTRONICS.

PDC ENERGY
PDC-1000
LIFTING EYE DETAIL

REVISIONS

Rev:	Date:	Description:	By:	Approved:
FR 2.0	8/30/2018	ISSUED FOR REVIEW 2.0 - UPDATED PER P. E. L. REDLINES DATED 8/29/2018	WR	JY
FR 3.0	9/4/2018	ISSUED FOR REVIEW 3.0 - UPDATED PER P. E. L. AND ENGINEER REDLINES DATED 8/31/2018	WR	JY
IFC 1.0	9/7/2018	ISSUED FOR CONSTRUCTION	WR	JY
			NA	NA
			NA	NA
			NA	NA
			NA	NA

DRAWN BY: wrasmussen
ENGINEERED BY: J.S.Y., M.E.
APPROVED BY: -
DATE: 7/25/2018
PROJECT NO. 217250-1-1
REV. IFC 1.0

DRAWING NO. **M-45**
SHT **45** OF **45**