

MCC Documentation As-Built Drawings

Sold To:

Rexel

Project Owner:

Rexel

Project Name:

BOREAS OTF MCC

Equipment Name:

MCC-2000

MCC-1000 REV 1

Rockwell Automation Order Number:

6504076569

Date:

4/18/2024

Table of Contents

Transmittal Report

Transmittal

Elevations

6504076569-000500: MCC-2000

Elevation Diagram - 10004163069-SCII

6504076569-000600: MCC-1000 REV 1

Elevation Diagram - 10004163072-SCII

One Lines

6504076569-000500: MCC-2000

One Line Diagram - 10004163068

6504076569-000600: MCC-1000 REV 1

One Line Diagram - 10004163071

Firmware

6504076569-000600: MCC-1000 REV 1

Firmware Reference Table - 10004135314

Schematics

6504076569-000500: MCC-2000

Main Incoming Line Lug Compartment, 600 A - 10003684605

3-Pole Feeder Circuit Breaker (FCB), 125 AF/20 AT - 10003993578

3-Pole Feeder Circuit Breaker (FCB), 125 AF/125 AT - 10004001743

3-Pole Feeder Circuit Breaker (FCB), 125 AF/50 AT - 10004002173

3-Pole Feeder Circuit Breaker (FCB), 250 AF/150 AT - 10004015367

Metering Unit, 600 A - 10004143418

6504076569-000600: MCC-1000 REV 1

Optimized Ethernet Switch - 10001901640

Metering Unit, 1200 A - 10003962630

3-Pole Feeder Circuit Breaker (FCB), 125 AF/30 AT - 10003993582

3-Pole Feeder Circuit Breaker (FCB), 400 AF/300 AT - 10003996122

EtherNet Power Supply Unit, 125 AF/15 AT - 10003996413

3-Pole Feeder Circuit Breaker (FCB), 125 AF/20 AT - 10004000280

3-Pole Feeder Circuit Breaker (FCB), 250 AF/200 AT - 10004002464

3-Pole Feeder Circuit Breaker (FCB), 250 AF/175 AT - 10004013568

3-Pole Feeder Circuit Breaker (FCB), 400 AF/400 AT - 10004042632

Full Voltage Non-Rev Starter w/CB, 3 HP - 10004143420

Full Voltage Non-Rev Starter w/CB, 10 HP - 10004143422

SMC Flex Soft Starter w/CB, 43 A/25 HP - 10004143424

SMC Flex Soft Starter w/CB, 201 A/125 HP - 10004143426
PowerFlex 753 AC Drive w/CB, 10 HP ND 14.0 A - 10004143428
PowerFlex 753 AC Drive w/CB, 10 HP ND 14.0 A - 10004143428
PowerFlex 753 AC Drive w/CB, 20 HP ND 27.0 A - 10004143430
PowerFlex 753 AC Drive w/CB, 20 HP ND 27.0 A - 10004143430
PowerFlex 753 AC Drive w/CB, 25 HP ND 34.0 A - 10004143432
PowerFlex 753 AC Drive w/CB, 25 HP ND 34.0 A - 10004143432
PowerFlex 753 AC Drive w/CB, 3 HP HD 5.0 A - 10004143434
PowerFlex 753 AC Drive w/CB, 3 HP HD 5.0 A - 10004143434
Main Circuit Breaker, 1200 AF/1200 AT - 10004143436

Recommended Spare Part List

6504076569-000500: MCC-2000

Spare Parts Consolidated-6504076569-000500-rspl

6504076569-000600: MCC-1000 REV 1

Spare Parts Consolidated-6504076569-000600-rspl

Transmittal Report

Rockwell Automation Order Number:

6504076569

Date:

4/18/2024

Transmittal Report

RA Order: 6504076569

Items: 000500-00,000600-00

Customer: Rexel

Project Name: BOREAS OTF MCC

Status: As-Built

Date Generated: 4/18/2024

No.	File	Title	Section
1	Transmittal.pdf	Document Transmittal	Transmittal
2	10004163069-SCII.pdf	Elevation Diagram - 10004163069-SCII	Elevations
3	10004163072-SCII.pdf	Elevation Diagram - 10004163072-SCII	Elevations
4	One Line Diagram - 10004163068.pdf	One Line Diagram - 10004163068	One Lines
5	One Line Diagram - 10004163071.pdf	One Line Diagram - 10004163071	One Lines
6	10004135314.pdf	Firmware Reference Table - 10004135314	Firmware
7	10003684605.pdf	Main Incoming Line Lug Compartment, 600 A - 10003684605	Schematics
8	10003993578.pdf	3-Pole Feeder Circuit Breaker (FCB), 125 AF/20 AT - 10003993578	Schematics
9	10004001743.pdf	3-Pole Feeder Circuit Breaker (FCB), 125 AF/125 AT - 10004001743	Schematics
10	10004002173.pdf	3-Pole Feeder Circuit Breaker (FCB), 125 AF/50 AT - 10004002173	Schematics
11	10004015367.pdf	3-Pole Feeder Circuit Breaker (FCB), 250 AF/150 AT - 10004015367	Schematics

No.	File	Title	Section
12	10004143418.pdf	Metering Unit, 600 A - 10004143418	Schematics
13	10001901640.pdf	Optimized Ethernet Switch - 10001901640	Schematics
14	10003962630.pdf	Metering Unit, 1200 A - 10003962630	Schematics
15	10003993582.pdf	3-Pole Feeder Circuit Breaker (FCB), 125 AF/30 AT - 10003993582	Schematics
16	10003996122.pdf	3-Pole Feeder Circuit Breaker (FCB), 400 AF/300 AT - 10003996122	Schematics
17	10003996413.pdf	EtherNet Power Supply Unit, 125 AF/15 AT - 10003996413	Schematics
18	10004000280.pdf	3-Pole Feeder Circuit Breaker (FCB), 125 AF/20 AT - 10004000280	Schematics
19	10004002464.pdf	3-Pole Feeder Circuit Breaker (FCB), 250 AF/200 AT - 10004002464	Schematics
20	10004013568.pdf	3-Pole Feeder Circuit Breaker (FCB), 250 AF/175 AT - 10004013568	Schematics
21	10004042632.pdf	3-Pole Feeder Circuit Breaker (FCB), 400 AF/400 AT - 10004042632	Schematics
22	10004143420.pdf	Full Voltage Non-Rev Starter w/CB, 3 HP - 10004143420	Schematics
23	10004143422.pdf	Full Voltage Non-Rev Starter w/CB, 10 HP - 10004143422	Schematics
24	10004143424.pdf	SMC Flex Soft Starter w/CB, 43 A/25 HP - 10004143424	Schematics
25	10004143426.pdf	SMC Flex Soft Starter w/CB, 201 A/125 HP - 10004143426	Schematics
26	10004143428_1.pdf	PowerFlex 753 AC Drive w/CB, 10 HP ND 14.0 A - 10004143428	Schematics

No.	File	Title	Section
27	10004143428_2.pdf	PowerFlex 753 AC Drive w/CB, 10 HP ND 14.0 A - 10004143428	Schematics
28	10004143430_1.pdf	PowerFlex 753 AC Drive w/CB, 20 HP ND 27.0 A - 10004143430	Schematics
29	10004143430_2.pdf	PowerFlex 753 AC Drive w/CB, 20 HP ND 27.0 A - 10004143430	Schematics
30	10004143432_1.pdf	PowerFlex 753 AC Drive w/CB, 25 HP ND 34.0 A - 10004143432	Schematics
31	10004143432_2.pdf	PowerFlex 753 AC Drive w/CB, 25 HP ND 34.0 A - 10004143432	Schematics
32	10004143434_1.pdf	PowerFlex 753 AC Drive w/CB, 3 HP HD 5.0 A - 10004143434	Schematics
33	10004143434_2.pdf	PowerFlex 753 AC Drive w/CB, 3 HP HD 5.0 A - 10004143434	Schematics
34	10004143436.pdf	Main Circuit Breaker, 1200 AF/1200 AT - 10004143436	Schematics
35	Spare Parts Consolidated-6504076569-000500-rspl.pdf	Spare Parts Consolidated-6504076569-000500-rspl	Recommended Spare Part List
36	Spare Parts Consolidated-6504076569-000600-rspl.pdf	Spare Parts Consolidated-6504076569-000600-rspl	Recommended Spare Part List

Elevations

Rockwell Automation Order Number:

6504076569

Date:

4/18/2024

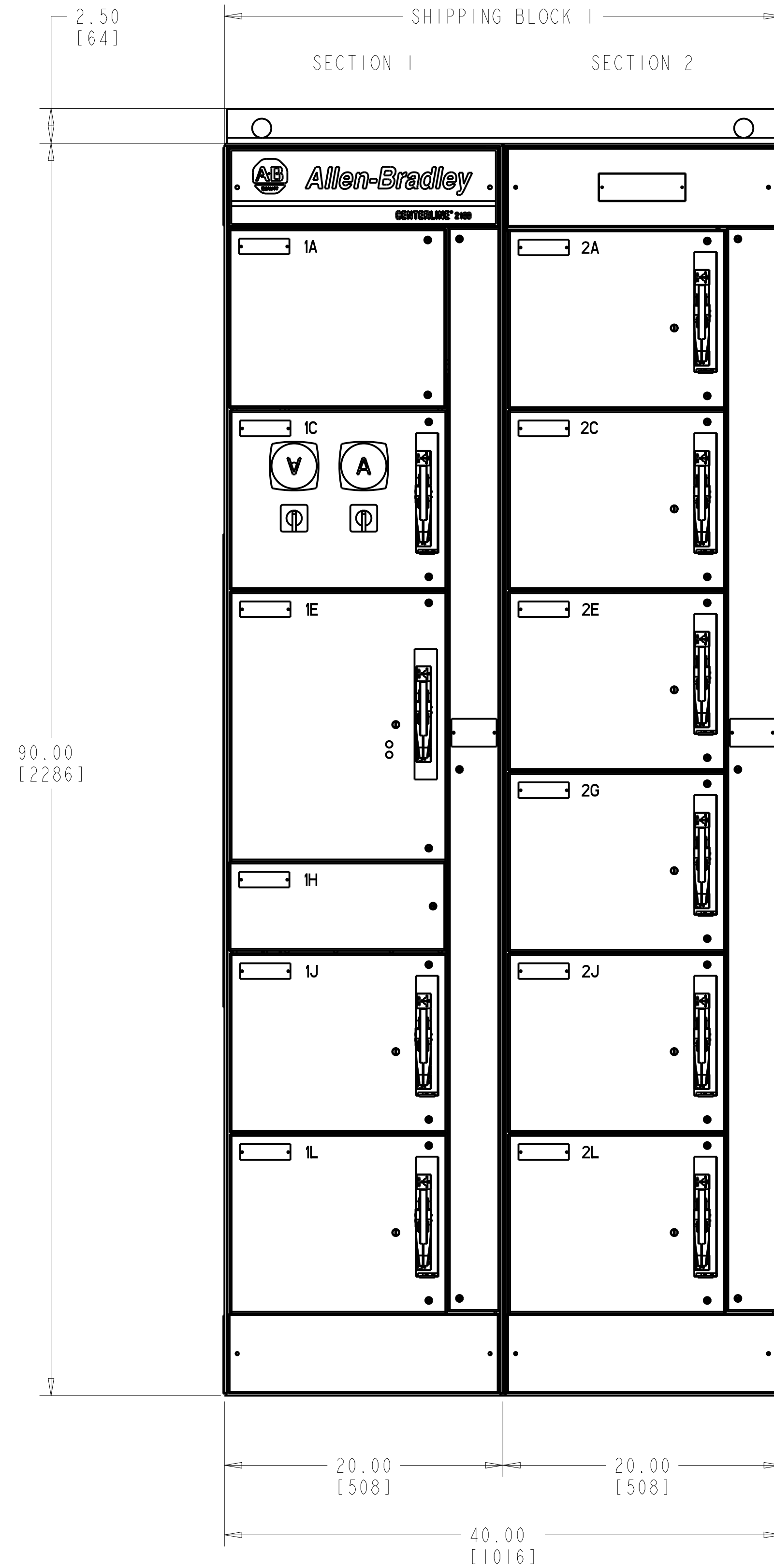
Rockwell Automation

CENTERLINE 2100 MOTOR CONTROL CENTER

PROJECT: BOREAS OTF MCC
MCC: MCC-2000

REV	APPROVED	DATE	STAGE	PROJECT: BOREAS OTF MCC MCC-2000	Rockwell Automation	CONFIDENTIAL AND PROPRIETARY INFORMATION. THIS DOCUMENT CONTAINS CONFIDENTIAL AND PROPRIETARY INFORMATION OF ROCKWELL AUTOMATION, INC. AND MAY NOT BE USED, COPIED OR DISCLOSED TO OTHERS EXCEPT WITH THE AUTHORIZED WRITTEN PERMISSION OF ROCKWELL AUTOMATION, INC.
				CUSTOMER: Rexel 99131011 S122047324		
				ORDER-LINE NUMBER: 6504076569-000500	MECHANICAL ELEVATION	SHEET 1 OF 3
PROJ. DOC. TYPE: Mechanical Lineup				LANG.: ENG	DRAWN BY: CTO	DATE: 23-Jul-18
					SIZE D	10004163069
					VER 0	

ELEVATION VIEW
(FRONT)



TOTAL LINEUP LENGTH = 40 [1016]
ADD TO EXISTING:
MOVE EXISTING ENDPLATES
AND SIDE ANGLE TO END
OF NEW LINEUP.

REV	APPROVED	DATE	STAGE	PROJECT:
				BOREAS OTF MCC
				MCC-2000
				CUSTOMER:
				Rexel
				99131011
				5122047324
				ORDER-LINE NUMBER:
				6504076569-000500
				LANG.: ENG

**Rockwell
Automation**

MECHANICAL ELEVATION

CONFIDENTIAL AND PROPRIETARY INFORMATION.
THIS DOCUMENT CONTAINS CONFIDENTIAL AND PROPRIETARY
INFORMATION OF ROCKWELL AUTOMATION, INC. AND MAY
NOT BE USED, COPIED OR DISCLOSED TO OTHERS EXCEPT
WITH THE AUTHORIZED WRITTEN PERMISSION OF
ROCKWELL AUTOMATION, INC.

SHEET 2 OF 3

SIZE D 10004163069 VER 0

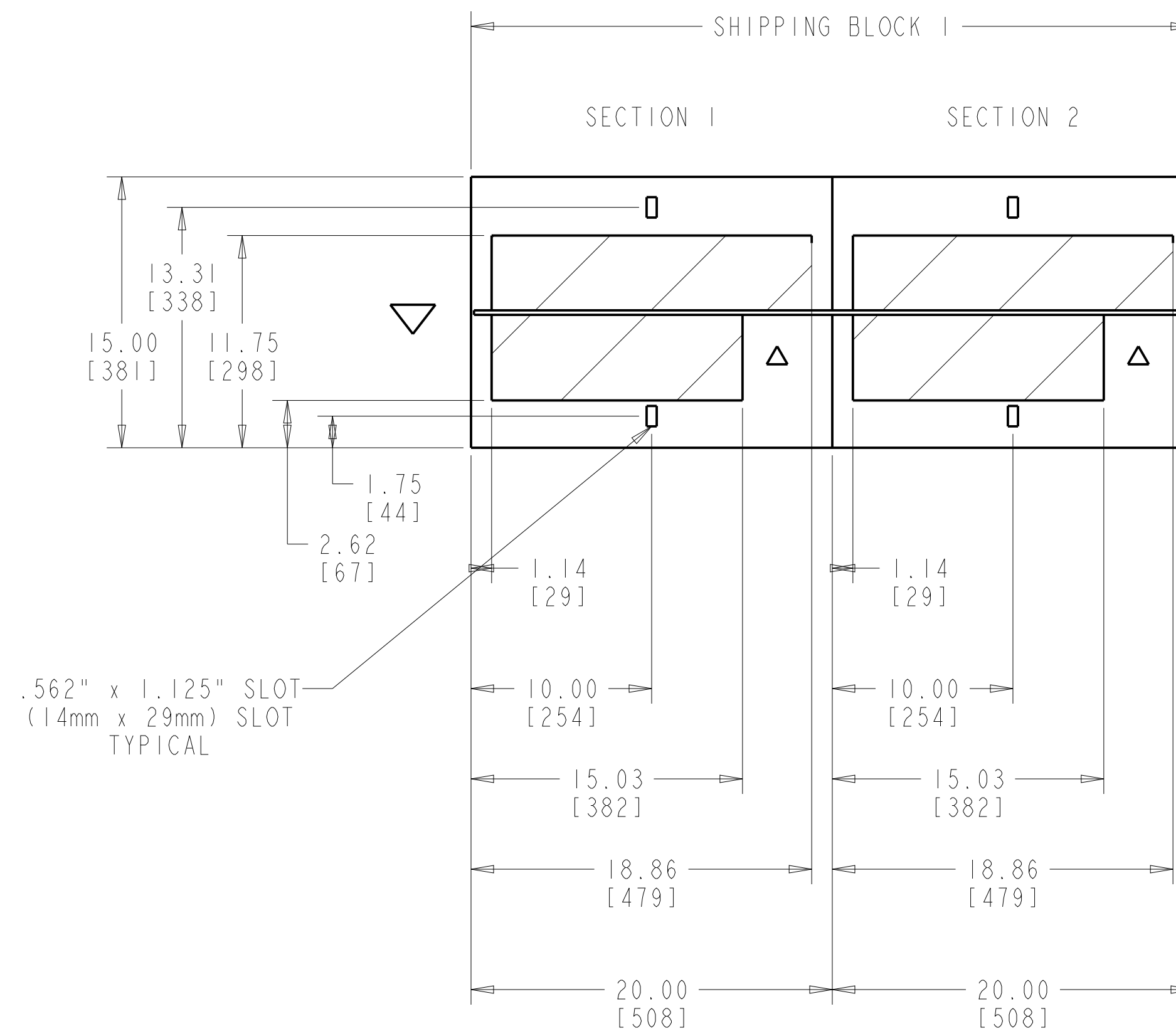
DRAWN BY: CTO

DATE: 23-Jul-18

PROJ. DOC. TYPE: Mechanical Lineup

FOOTPRINT VIEW

(BACK)



.562" x 1.125" SLOT
(14mm x 29mm) SLOT
TYPICAL

(FRONT)

NOTE: HATCHED AREA FOR CABLE ENTRY

- ▽ VERTICAL WIREWAY:
7.50" [191] DEEP.
PREFERRED LOCATION FOR POWER
WIRES WHICH REQUIRE MORE THAN
A 6 INCH BENDING RADIUS.
- ▽ GROUND BUS IS 0.25" X 1.00" OR 2.00" LOCATED 7.41"
FROM FRONT OF CABINETS THAT ARE 15" OR 20" DEEP
AND 12.4" FOR CABINETS THAT ARE 25" DEEP.
TOP OF GROUND BUS IS LOCATED 4.16" UP FROM BASE.

REV	APPROVED	DATE	STAGE	PROJECT: BOREAS OTF MCC MCC-2000
				CUSTOMER: Rexel 99131011 5122047324
				ORDER-LINE NUMBER: 6504076569-000500
				LANG.: ENG



CONFIDENTIAL AND PROPRIETARY INFORMATION.
THIS DOCUMENT CONTAINS CONFIDENTIAL AND PROPRIETARY
INFORMATION OF ROCKWELL AUTOMATION, INC. AND MAY
NOT BE USED, COPIED OR DISCLOSED TO OTHERS EXCEPT
WITH THE AUTHORIZED WRITTEN PERMISSION OF
ROCKWELL AUTOMATION, INC.

MECHANICAL ELEVATION		SHEET 3 OF 3	
SIZE D	10004163069	VER 0	
DRAWN BY: CTO		DATE: 23-Jul-18	

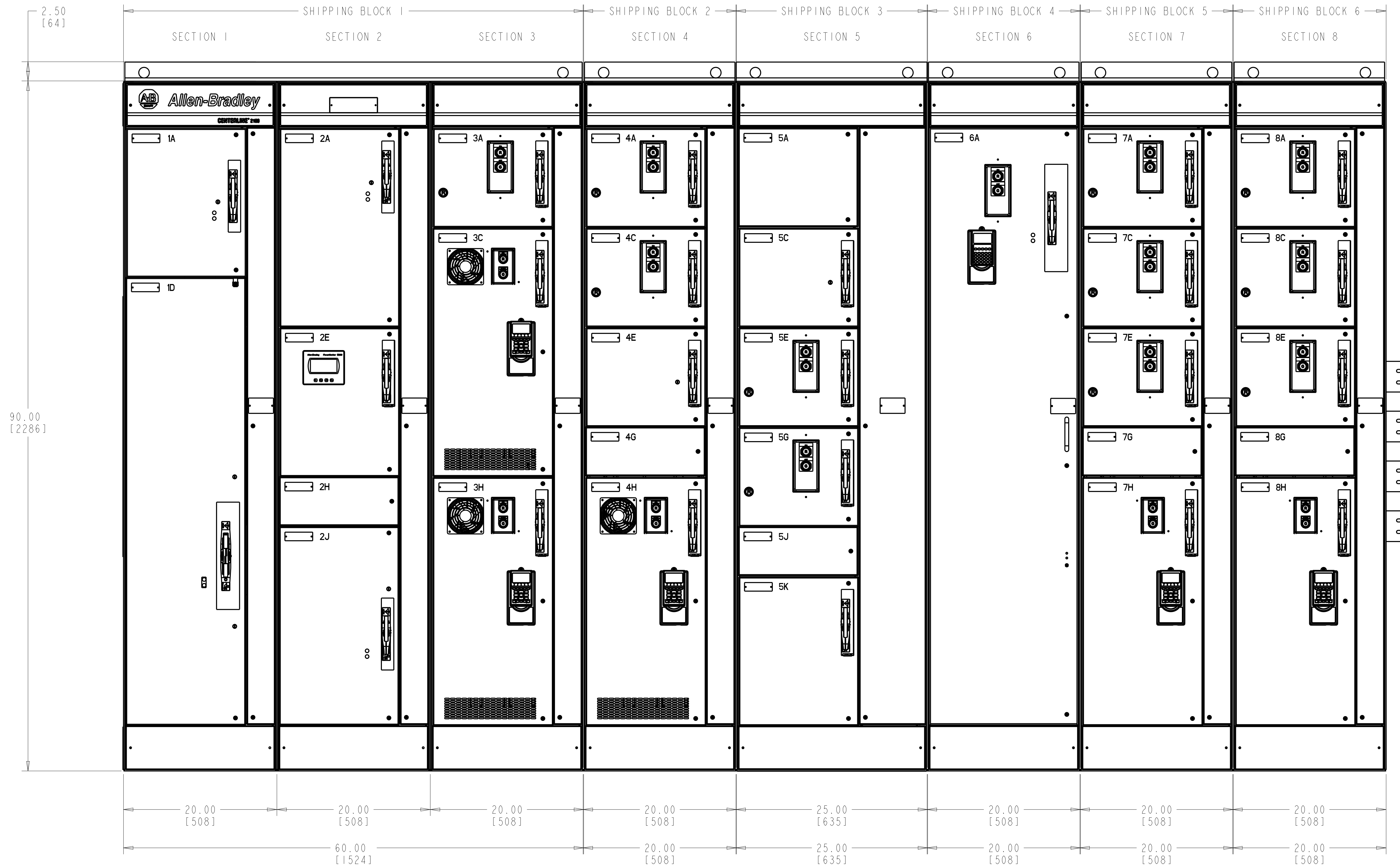
Rockwell Automation

CENTERLINE 2100 MOTOR CONTROL CENTER

PROJECT: BOREAS OTF MCC
MCC: MCC-1000 REV 1

REV	APPROVED	DATE	STAGE	PROJECT: BOREAS OTF MCC MCC-1000 REV 1	Rockwell Automation	CONFIDENTIAL AND PROPRIETARY INFORMATION. THIS DOCUMENT CONTAINS CONFIDENTIAL AND PROPRIETARY INFORMATION OF ROCKWELL AUTOMATION, INC. AND MAY NOT BE USED, COPIED OR DISCLOSED TO OTHERS EXCEPT WITH THE AUTHORIZED WRITTEN PERMISSION OF ROCKWELL AUTOMATION, INC.
				CUSTOMER: Rexel 99131011 S122047324		
				ORDER-LINE NUMBER: 6504076569-000600	MECHANICAL ELEVATION	SHEET 1 OF 7
PROJ. DOC. TYPE: Mechanical Lineup				LANG.: ENG	DRAWN BY: CTO	DATE: 23-Jul-18
					SIZE D	10004163072 VER 0

ELEVATION VIEW
(FRONT)



2.50 [64]
90.00 [2286]

REV	APPROVED	DATE	STAGE

PROJECT:
BOREAS OTF MCC
MCC-1000 REV 1

CUSTOMER:
Rexel
99131011
5122047324

ORDER-LINE NUMBER:
6504076569-000600

LANG.: ENG

Rockwell Automation

MECHANICAL ELEVATION

PROJ. DOC. TYPE: Mechanical Lineup

DRAWN BY: CTO

DATE: 23-Jul-18

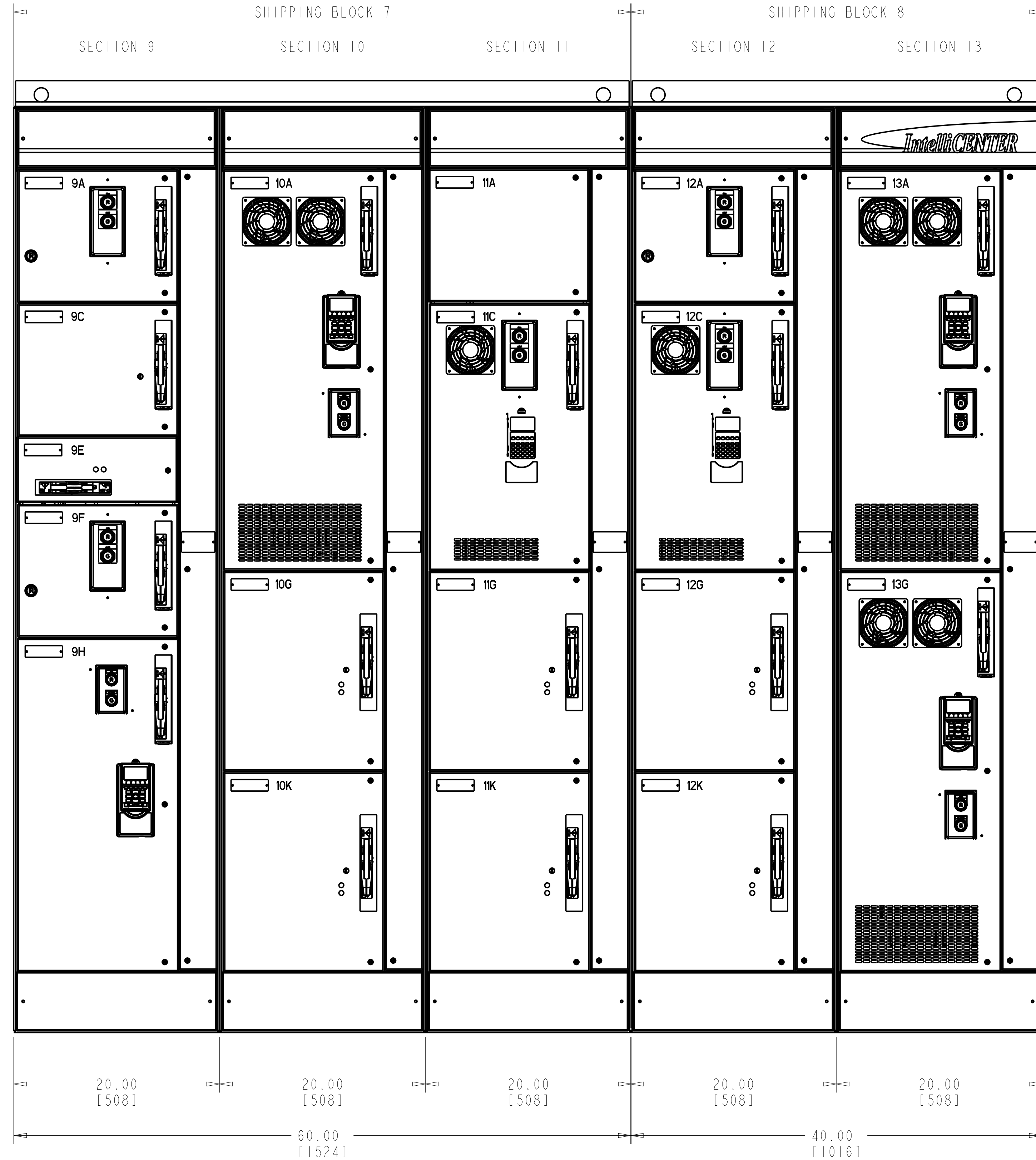
CONFIDENTIAL AND PROPRIETARY INFORMATION. THIS DOCUMENT CONTAINS CONFIDENTIAL AND PROPRIETARY INFORMATION OF ROCKWELL AUTOMATION, INC. AND MAY NOT BE USED, COPIED OR DISCLOSED TO OTHERS EXCEPT WITH THE AUTHORIZED WRITTEN PERMISSION OF ROCKWELL AUTOMATION, INC.

SHEET 2 OF 7

SIZE D 10004163072 VER 0

TOTAL LINEUP LENGTH = 265 [6731]
ADD TO EXISTING:
MOVE EXISTING ENDPLATES
AND SIDE ANGLE TO END
OF NEW LINEUP.

ELEVATION VIEW
(FRONT)



REV	APPROVED	DATE	STAGE

PROJECT:
BOREAS OTF MCC
MCC-1000 REV 1

CUSTOMER:
Rexel
99131011
5122047324

ORDER-LINE NUMBER:
6504076569-000600

PROJ. DOC. TYPE: Mechanical Lineup
LANG.: ENG

Rockwell Automation

MECHANICAL ELEVATION

DRAWN BY: CTO
DATE: 23-Jul-18

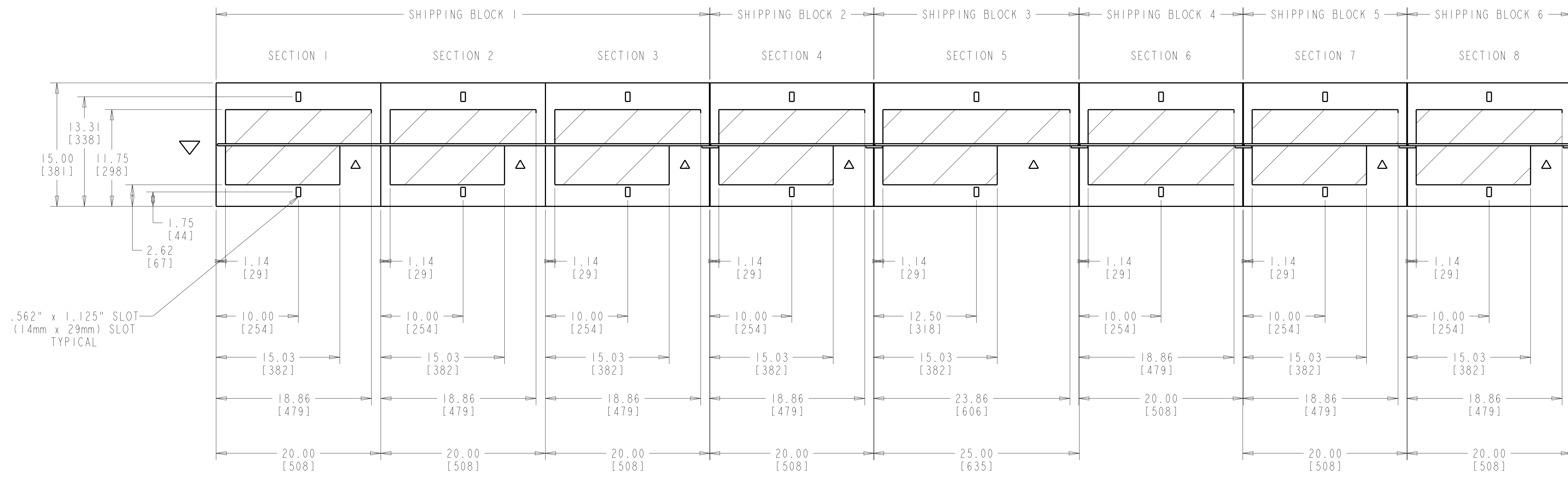
CONFIDENTIAL AND PROPRIETARY INFORMATION. THIS DOCUMENT CONTAINS CONFIDENTIAL AND PROPRIETARY INFORMATION OF ROCKWELL AUTOMATION, INC. AND MAY NOT BE USED, COPIED OR DISCLOSED TO OTHERS EXCEPT WITH THE AUTHORIZED WRITTEN PERMISSION OF ROCKWELL AUTOMATION, INC.

SHEET 3 OF 7

SIZE	10004163072	VER	0
------	-------------	-----	---

FOOTPRINT VIEW

(BACK)



.562" x 1.125" SLOT
(14mm x 29mm) SLOT
TYPICAL

(FRONT)

NOTE: HATCHED AREA FOR CABLE ENTRY

- △ VERTICAL WIREWAY:
7.50" [191] DEEP.
PREFERRED LOCATION FOR POWER
WIRES WHICH REQUIRE MORE THAN
A 6 INCH BENDING RADIUS.
- ▽ GROUND BUS IS 0.25" X 1.00" OR 2.00" LOCATED 7.41"
FROM FRONT OF CABINETS THAT ARE 15" OR 20" DEEP
AND 12.4" FOR CABINETS THAT ARE 25" DEEP.
TOP OF GROUND BUS IS LOCATED 4.16" UP FROM BASE.

REV	APPROVED	DATE	STAGE	PROJECT:
				BOREAS DTF MCC
				MCC-1000 REV 1
				CUSTOMER:
				Rexel
				99131011
				S122047324
				ORDER-LINE NUMBER:
				6504076569-000600
				LANG.: ENG
				PROJ. DOC. TYPE: Mechanical Lineup

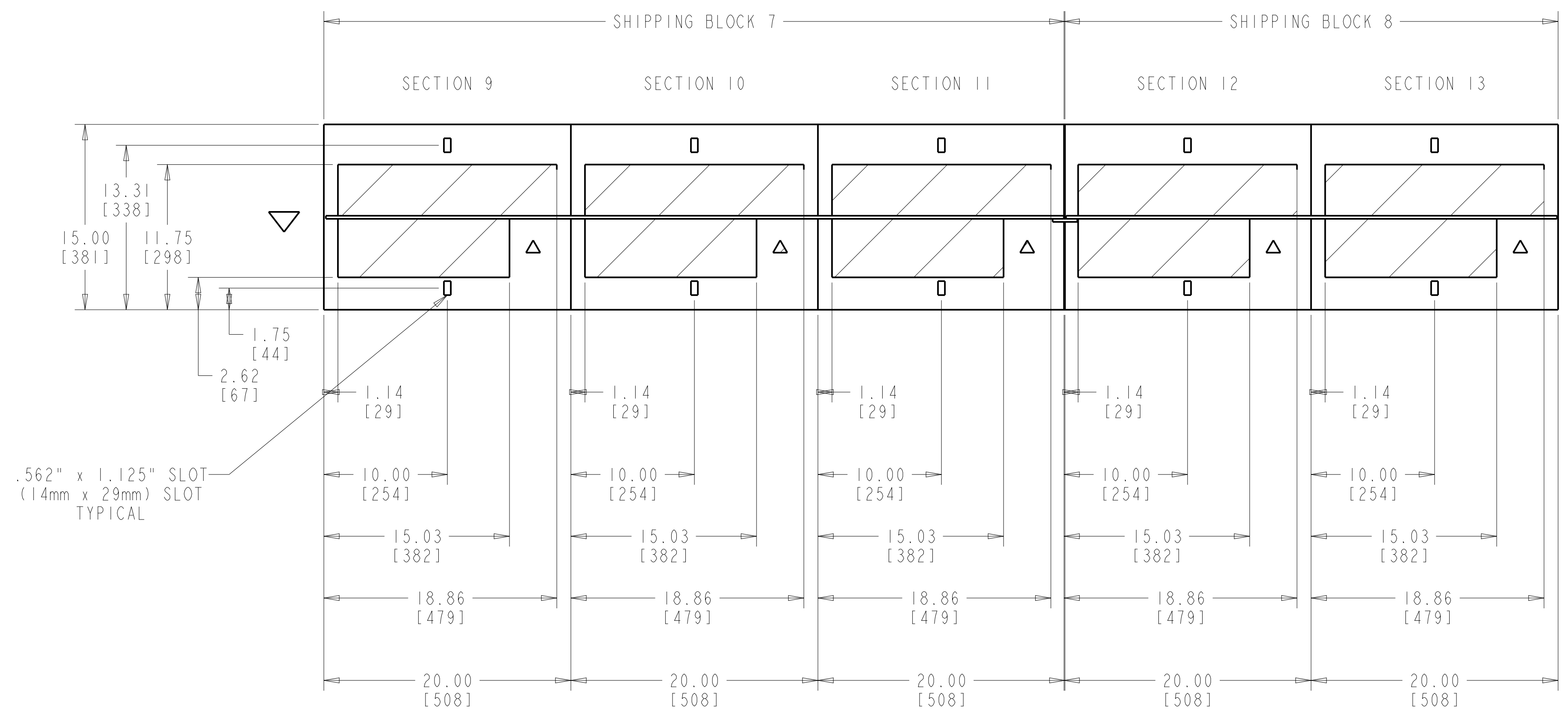


CONFIDENTIAL AND PROPRIETARY INFORMATION.
THIS DOCUMENT CONTAINS CONFIDENTIAL AND PROPRIETARY
INFORMATION OF ROCKWELL AUTOMATION, INC. AND MAY
NOT BE USED, COPIED OR DISCLOSED TO OTHERS EXCEPT
WITH THE AUTHORIZED WRITTEN PERMISSION OF
ROCKWELL AUTOMATION, INC.

MECHANICAL ELEVATION		SHEET 4 OF 7	
SIZE D	10004163072	VER 0	
DRAWN BY: CTO		DATE: 23-Jul-18	

FOOTPRINT VIEW

(BACK)



.562" x 1.125" SLOT
(14mm x 29mm) SLOT
TYPICAL

(FRONT)

NOTE: HATCHED AREA FOR CABLE ENTRY

- △ VERTICAL WIREWAY:
7.50" [191] DEEP.
PREFERRED LOCATION FOR POWER
WIRES WHICH REQUIRE MORE THAN
A 6 INCH BENDING RADIUS.
- ▽ GROUND BUS IS 0.25" X 1.00" OR 2.00" LOCATED 7.41"
FROM FRONT OF CABINETS THAT ARE 15" OR 20" DEEP
AND 12.4" FOR CABINETS THAT ARE 25" DEEP.
TOP OF GROUND BUS IS LOCATED 4.16" UP FROM BASE.

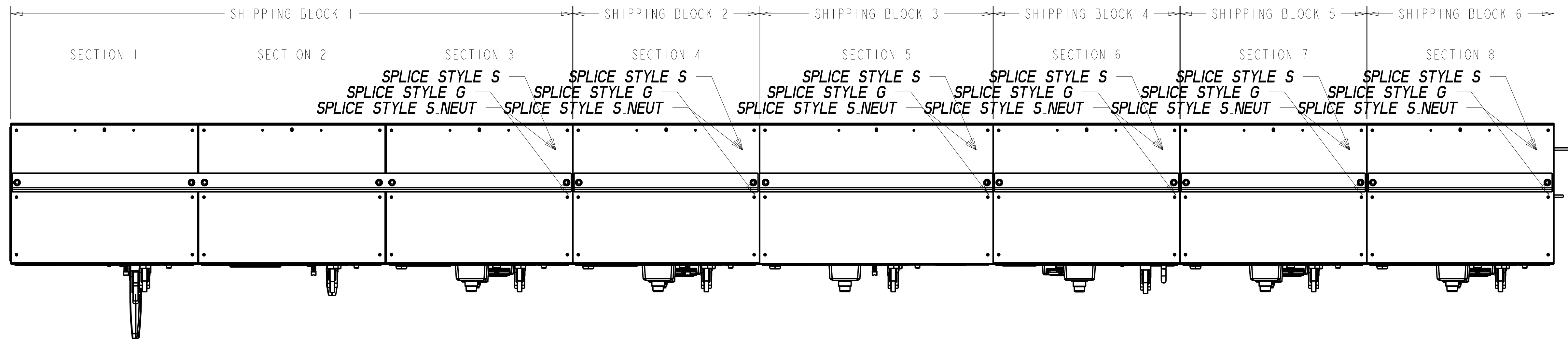
REV	APPROVED	DATE	STAGE	PROJECT: BOREAS DTF MCC MCC-1000 REV 1
				CUSTOMER: Rexel 99131011 S122047324
				ORDER-LINE NUMBER: 6504076569-000600
				LANG.: ENG



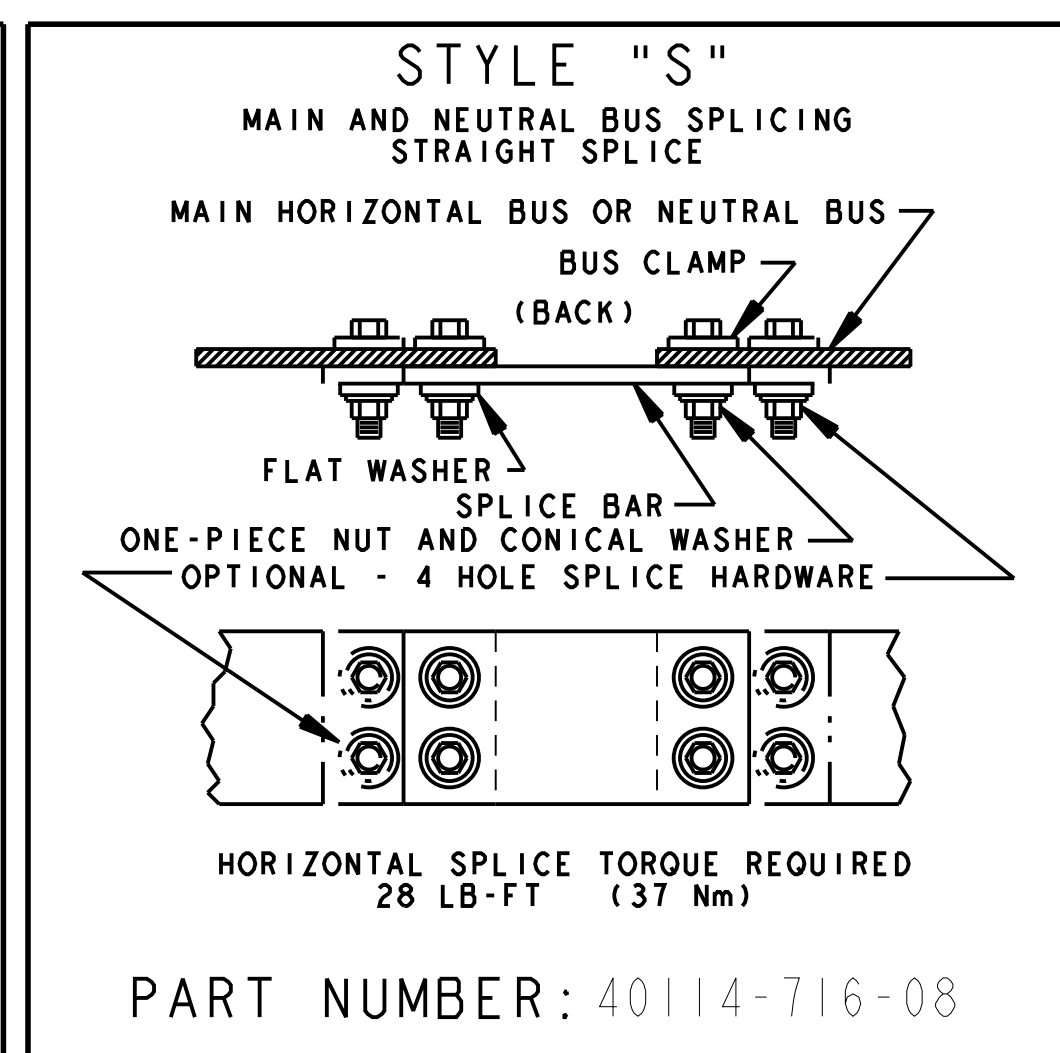
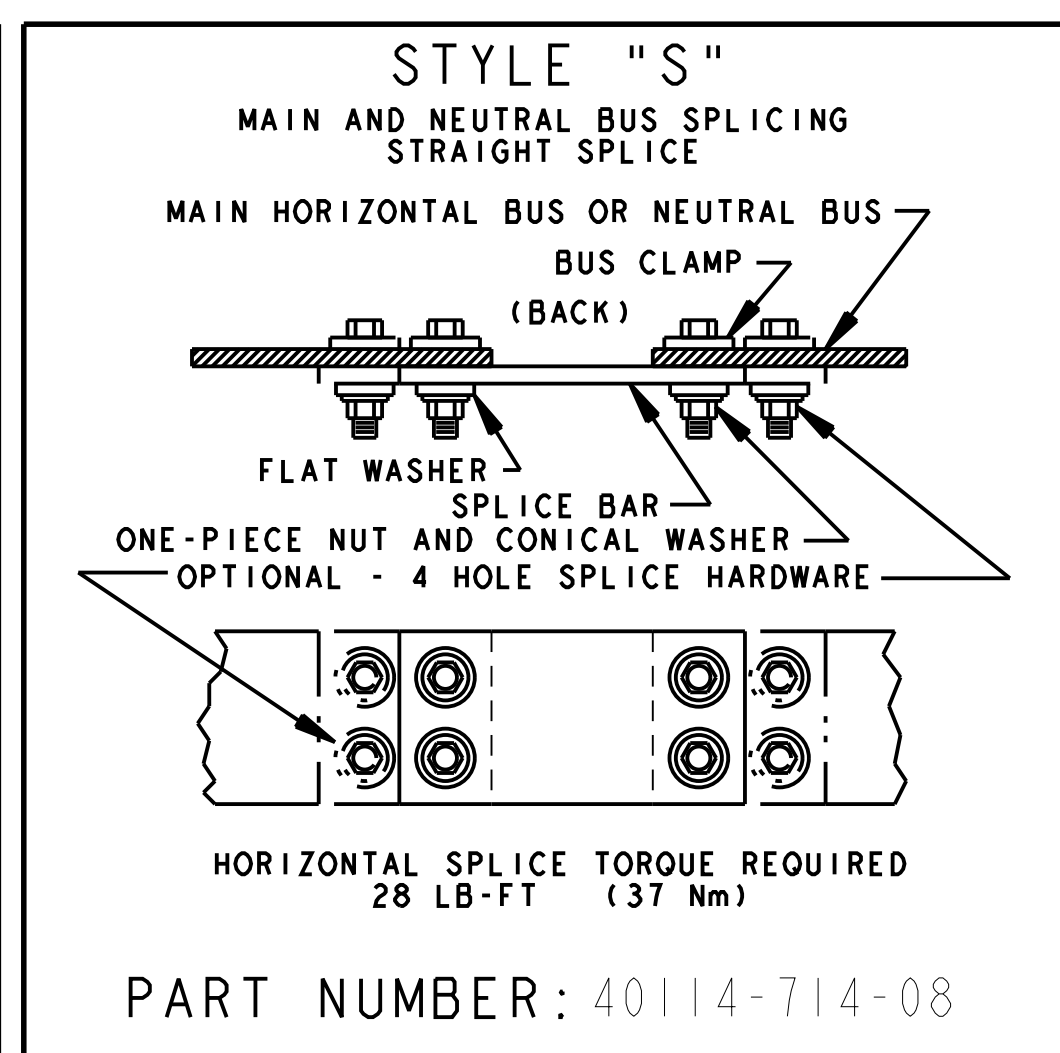
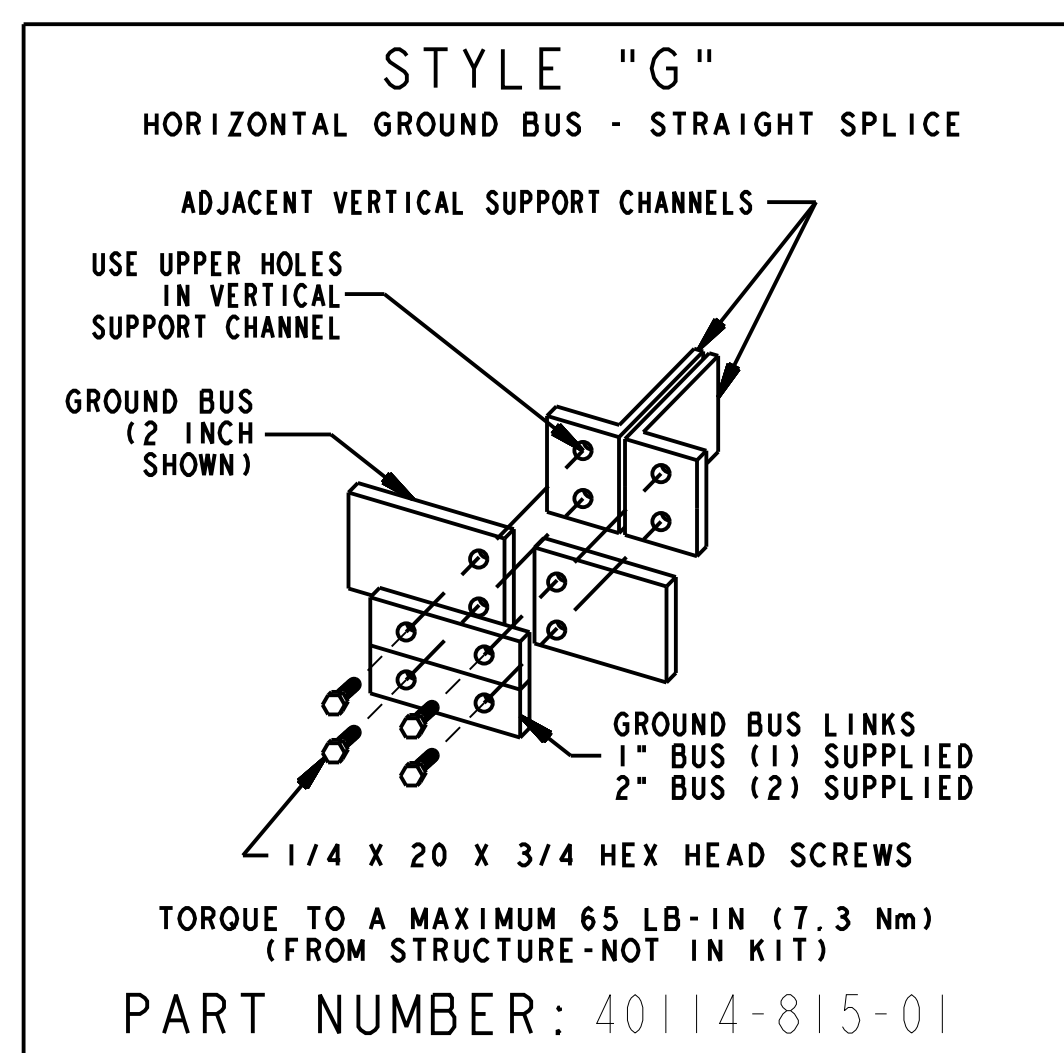
CONFIDENTIAL AND PROPRIETARY INFORMATION.
THIS DOCUMENT CONTAINS CONFIDENTIAL AND PROPRIETARY
INFORMATION OF ROCKWELL AUTOMATION, INC. AND MAY
NOT BE USED, COPIED OR DISCLOSED TO OTHERS EXCEPT
WITH THE AUTHORIZED WRITTEN PERMISSION OF
ROCKWELL AUTOMATION, INC.

SPLICE ASSEMBLY

(BACK)



(FRONT)



REV	APPROVED	DATE	STAGE

PROJECT:
BOREAS DTF MCC
MCC-1000 REV 1

CUSTOMER:
Rexel
99131011
5122047324

ORDER-LINE NUMBER:
6504076569-000600

LANG.: ENG

Rockwell Automation

MECHANICAL ELEVATION

DRAWN BY: CTO

DATE: 23-Jul-18

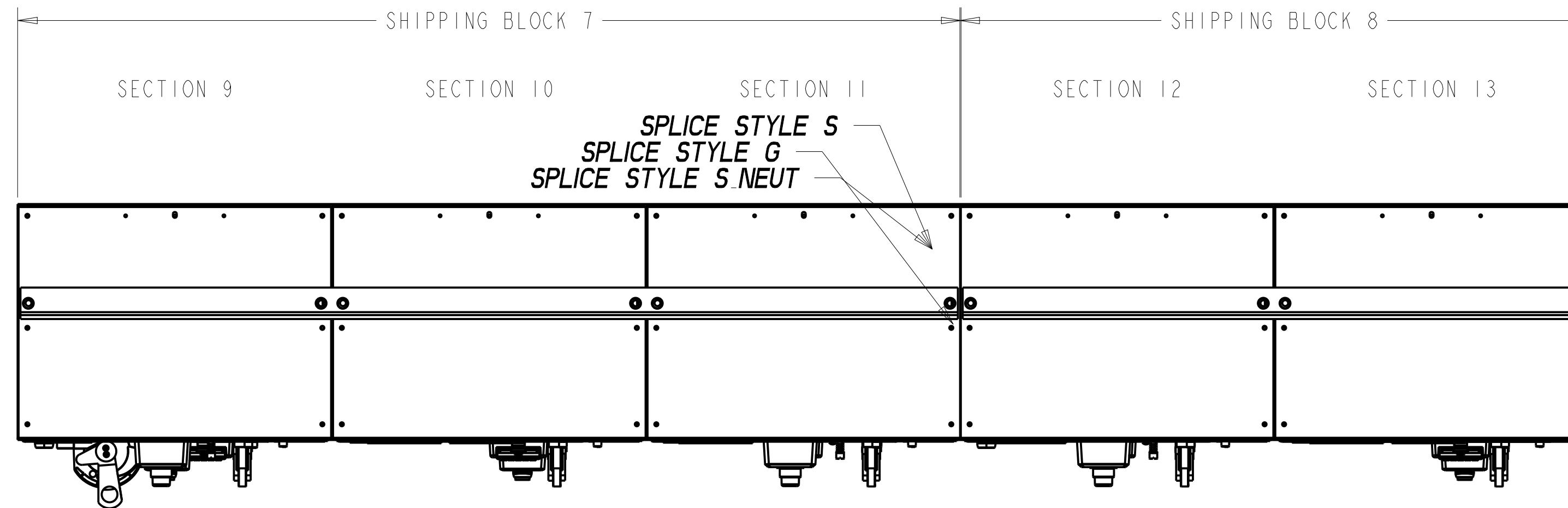
CONFIDENTIAL AND PROPRIETARY INFORMATION. THIS DOCUMENT CONTAINS CONFIDENTIAL AND PROPRIETARY INFORMATION OF ROCKWELL AUTOMATION, INC. AND MAY NOT BE USED, COPIED OR DISCLOSED TO OTHERS EXCEPT WITH THE AUTHORIZED WRITTEN PERMISSION OF ROCKWELL AUTOMATION, INC.

SHEET 6 OF 7

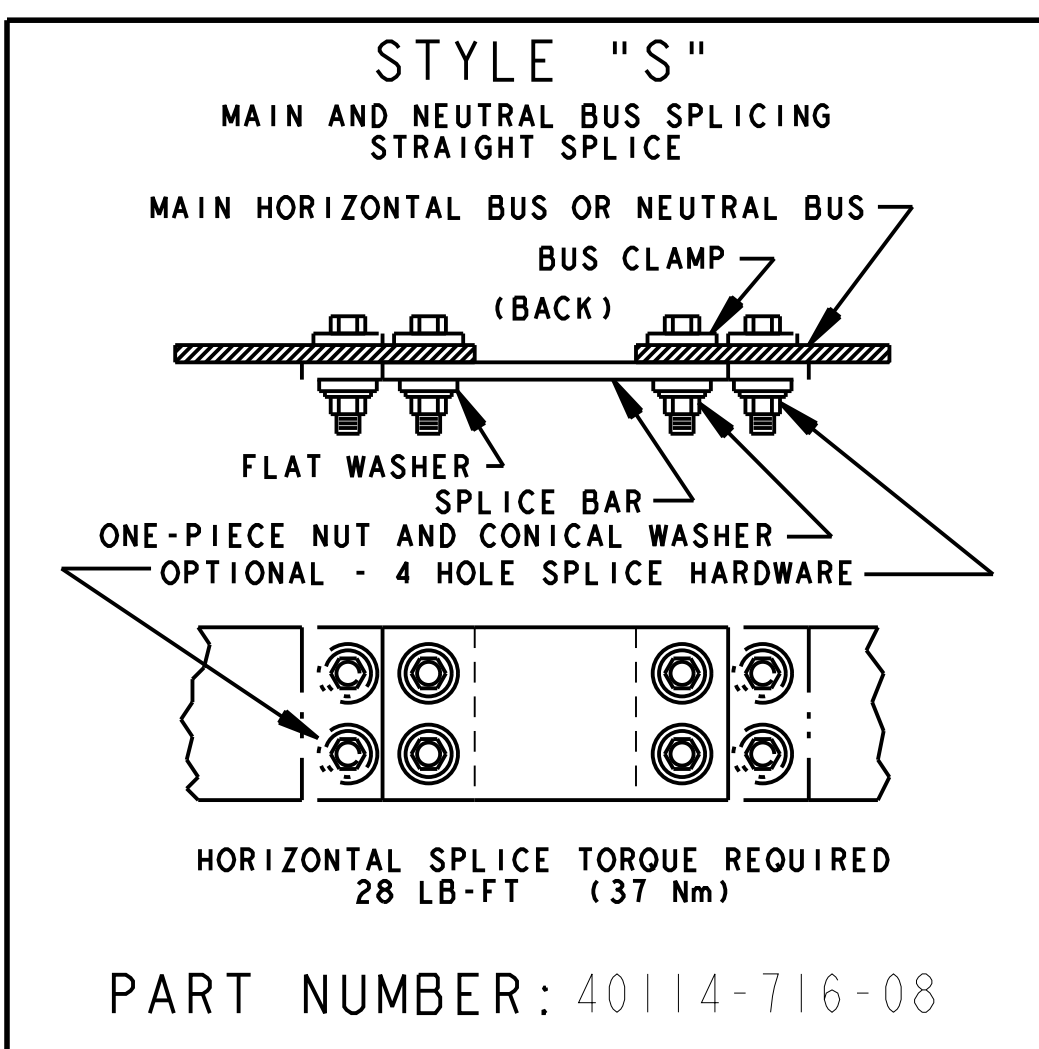
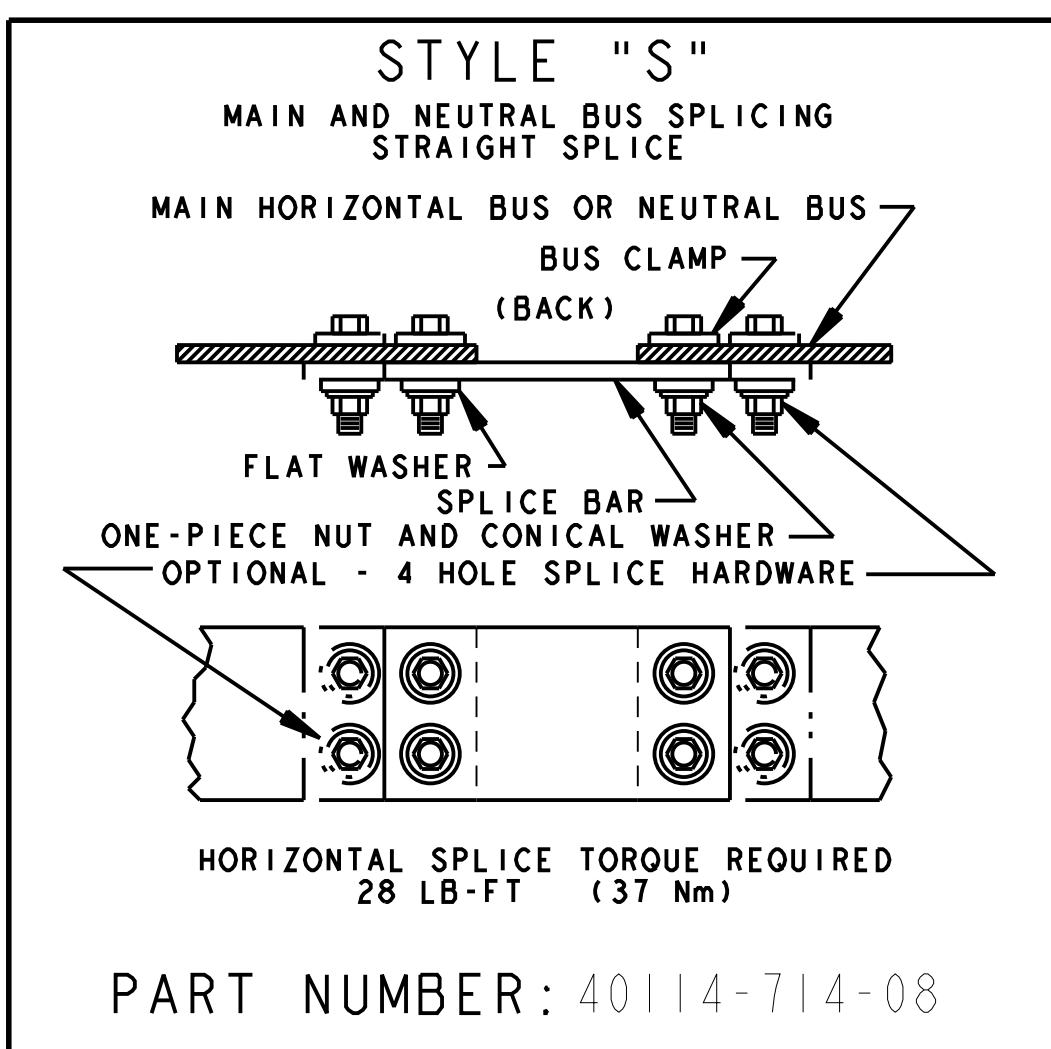
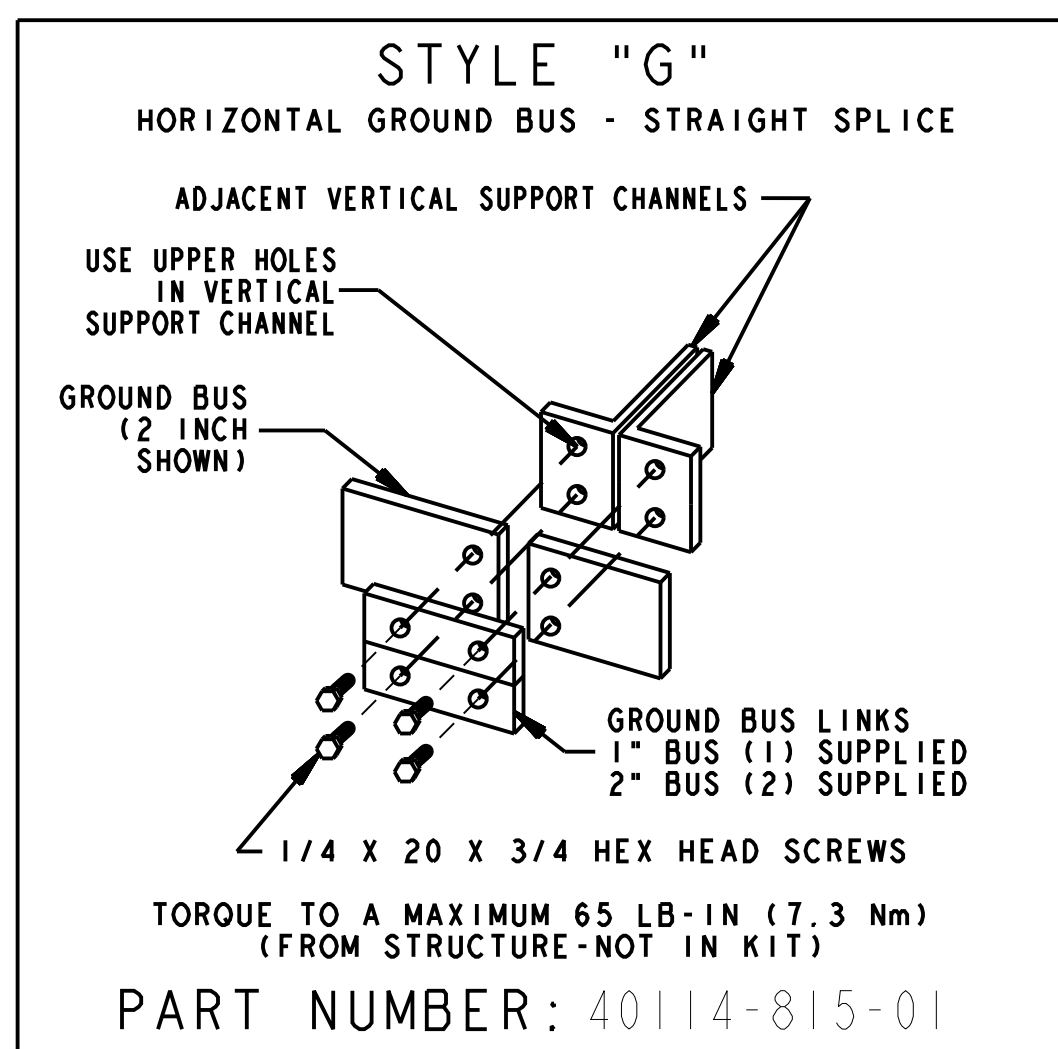
SIZE: D 10004163072 VER: 0

SPLICE ASSEMBLY

(BACK)



(FRONT)



REV	APPROVED	DATE	STAGE

PROJECT:
BOREAS DTF MCC
MCC-1000 REV 1

CUSTOMER:
Rexel
99131011
5122047324

ORDER-LINE NUMBER:
6504076569-000600

LANG.: ENG

Rockwell Automation

MECHANICAL ELEVATION

DRAWN BY: CTO

DATE: 23-Jul-18

CONFIDENTIAL AND PROPRIETARY INFORMATION. THIS DOCUMENT CONTAINS CONFIDENTIAL AND PROPRIETARY INFORMATION OF ROCKWELL AUTOMATION, INC. AND MAY NOT BE USED, COPIED OR DISCLOSED TO OTHERS EXCEPT WITH THE AUTHORIZED WRITTEN PERMISSION OF ROCKWELL AUTOMATION, INC.

SHEET 7 OF 7

SIZE D 10004163072 VER 0

One Lines

Rockwell Automation Order Number:

6504076569

Date:

4/18/2024

Rockwell Automation

CENTERLINE 2100 MOTOR CONTROL CENTER

PROJECT: BOREAS OTF MCC
MCC: MCC-2000

REV	APPROVED	DATE	STAGE	PROJECT: BOREAS OTF MCC MCC-2000	Rockwell Automation	CONFIDENTIAL AND PROPRIETARY INFORMATION. THIS DOCUMENT CONTAINS CONFIDENTIAL AND PROPRIETARY INFORMATION OF ROCKWELL AUTOMATION, INC. AND MAY NOT BE USED, COPIED OR DISCLOSED TO OTHERS EXCEPT WITH THE AUTHORIZED WRITTEN PERMISSION OF ROCKWELL AUTOMATION INC.
				CUSTOMER: REXEL 0099131011 S122047324		
				ORDER-LINE NUMBER: 6504076569-000500	ONE LINE COVER SHEET	SIZE D 10004163068
PROJ. DOC. TYPE: COVER SHEET				LANG: ENG	DRAWN BY: CTO	VER 00
						DATE: 23-JUL-18

<p>01 MOTOR CONTROL CENTER STRUCTURE SPECIFICATIONS</p> <p>02 ENCLOSURE DATA</p> <p>03 NEMA TYPE 1G ENCLOSURES</p> <p>04 90" [2286] ENCLOSURE HEIGHT</p> <p>05 15" [381] ENCLOSURE DEPTH</p> <p>06 FRONT MOUNTED ENCLOSURE STYLE</p> <p>07 ANSI 49 ENCLOSURE FINISH</p> <p>08 TOTAL NUMBER OF SECTIONS 2</p> <p>09 TOTAL NUMBER OF SHIPPING BLOCKS 1</p> <p>10 MAIN INCOMING LUG COMPARTMENT</p> <p>11 INCOMING POWER SYSTEM</p> <p>12 WYE/3 PH/3 WIRE W/SOLID GRD NEUT POWER SYSTEM</p> <p>13 480V POWER SYSTEM LINE VOLTAGE</p> <p>14 60HZ POWER SYSTEM LINE FREQUENCY</p> <p>15 CUSTOMER INCOMING CABLES ENTRY: TOP</p> <p>16 POWER BUS</p> <p>17 600A HORIZONTAL POWER BUS</p> <p>18 HORIZONTAL POWER BUS MATERIAL IS COPPER</p> <p>19 TIN HORIZONTAL POWER BUS PLATING</p> <p>20 65000A RMS HORIZONTAL POWER BUS BRACING</p> <p>21 VERTICAL POWER BUS MATERIAL IS TIN PLATED COPPER</p> <p>22 AUTOMATIC SHUTTER VERTICAL BUS OPENING PROTECTION</p> <p>23 GROUND BUS</p> <p>24 0.25" X 1" [6.4] X [25.4] HORIZONTAL GROUND BUS</p> <p>25 HORIZONTAL GROUND BUS IS UNPLATED COPPER</p> <p>26 GROUND BUS LOCATED IN BOTTOM HORIZONTAL WIREWAY</p> <p>27 VERTICAL GROUND BUS: PLUG-IN (STANDARD)</p> <p>28 OUTGOING GROUND LUG PROVIDED</p> <p>29 EQUIPMENT GROUND LUG SIZE: #6AWG - 250 KCMIL</p> <p>30 INCOMING GROUND CABLES: 1</p> <p>31 OUTGOING EQUIP GRD LUG PROVIDED(GRD LUGS AT EACH END OF MCC)</p> <p>32 NEUTRAL BUS</p> <p>33 NONE REQUESTED</p>	<p>MOTOR CONTROL CENTER STRUCTURE SPECIFICATIONS</p> <p>NEUTRAL CONNECTION PLATES IN HORIZONTAL WIREWAY</p> <p>NONE REQUESTED</p> <p>STANDARD 300A VERTICAL POWER BUS CABINET(S)</p> <p>01, 02</p> <p>600A VERTICAL POWER BUS CABINET(S)</p> <p>NONE REQUESTED</p> <p>HORIZONTAL NEUTRAL BUS CABINET(S)</p> <p>NONE REQUESTED</p> <p>VERTICAL NEUTRAL BUS CABINET(S)</p> <p>NONE REQUESTED</p> <p>PULLBOX REQUIRED ON CABINET(S)</p> <p>NONE REQUESTED</p>	<p>MOTOR CONTROL CENTER STRUCTURE SPECIFICATIONS</p> <p>ENCLOSURE OPTIONS REQUESTED</p> <p>MASTER NAMEPLATE REQUIRED WITH 1 LINE OF TEXT</p> <p>BOTTOM PLATES</p> <p>VERTICAL WIREWAY TIE-BARS</p> <p>ISOLATION BARRIERS UNIT AND WIREWAY</p> <p>MOTOR CONTROL CENTER COMMON UNIT OPTIONS</p> <p>ACRYLIC STYLE UNIT NAMEPLATES</p> <p>BLACK LETTERS ON WHITE UNIT NAMEPLATE COLOR</p> <p>3 - LINES OF INFORMATION PER UNIT NAMEPLATE</p> <p>EXTERNAL OVERLOAD RESET BUTTONS</p> <p>UNIT DIAGRAM LOCATION: WITHIN EACH UNIT</p> <p>NETWORK INFORMATION</p>
--	--	---

37 ONE-LINE LEGEND

38 UNIT LOCATION: 01A


39 SCHEMATIC/DIAGRAM: 1000XXXXXX

40 UNIT NAMEPLATE

41 CUSTOMER LOAD WIRE SIZE RANGE

GND/NEUT. WIRE SIZE RANGE

REV	APPROVED	DATE	STAGE	PROJECT:
				BOREAS OTF MCC
				MCC-2000
				CUSTOMER:
				REXEL
				0099131011
				S122047324
				ORDER-LINE NUMBER:
				6504076569-000500
PROJ. DOC. TYPE: SPECIFICATIONS SHEET				LANG: ENG



**Rockwell
Automation**

CONFIDENTIAL AND PROPRIETARY INFORMATION.
THIS DOCUMENT CONTAINS CONFIDENTIAL AND PROPRIETARY
INFORMATION OF ROCKWELL AUTOMATION, INC. AND MAY
NOT BE USED, COPIED OR DISCLOSED TO OTHERS EXCEPT
WITH THE AUTHORIZED WRITTEN PERMISSION OF
ROCKWELL AUTOMATION INC.

SPECIFICATIONS SHEET

SHEET 2 OF 4

SIZE D 10004163068

VER 00

DRAWN BY: CTO

DATE: 23-JUL-18

480V/60HZ/3 PH/3 WIRE
WYE/SOLID GRD NEUTRAL
LUG PAD

LUGS

BUS 600A TIN PLATED COPPER - 65000A RMS BRACING

DISC1
30A

CB1
150AT
250A J FRAME
65KA S.C.C.R.

CB1
125AT
125A G FRAME
65KA S.C.C.R.

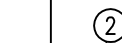
CB1
125AT
125A G FRAME
65KA S.C.C.R.

2 CT'S LOCATED AND
MOUNTED BY CUSTOMER



AS

AM



VS

VM

BLANK DOOR
FUTURE
UNIT

01A
10003684605
600A MAIN LUG

01C
10004143418
METER

01E
10004015367
C-9201
INSTRUMENT AIR
1/PH : 10AWG-250MCM

01H
10002277146

01J
10004001743
SWRK-200
120/208V
1/PH : 14AWG-1/0AWG

01L
10004001743
SWRK-100
120/208V
1/PH : 14AWG-1/0AWG

MASTER NAMEPLATE
MCC-2000

REV	APPROVED	DATE	STAGE	PROJECT: BOREAS OTF MCC MCC-2000

CUSTOMER:
REXEL
0099131011
S122047324
ORDER-LINE NUMBER:
6504076569-000500
LANG: ENG

**Rockwell
Automation**

CONFIDENTIAL AND PROPRIETARY INFORMATION.
THIS DOCUMENT CONTAINS CONFIDENTIAL AND PROPRIETARY
INFORMATION OF ROCKWELL AUTOMATION, INC. AND MAY
NOT BE USED, COPIED OR DISCLOSED TO OTHERS EXCEPT
WITH THE AUTHORIZED WRITTEN PERMISSION OF
ROCKWELL AUTOMATION INC.

ONE LINE SCHEMATIC

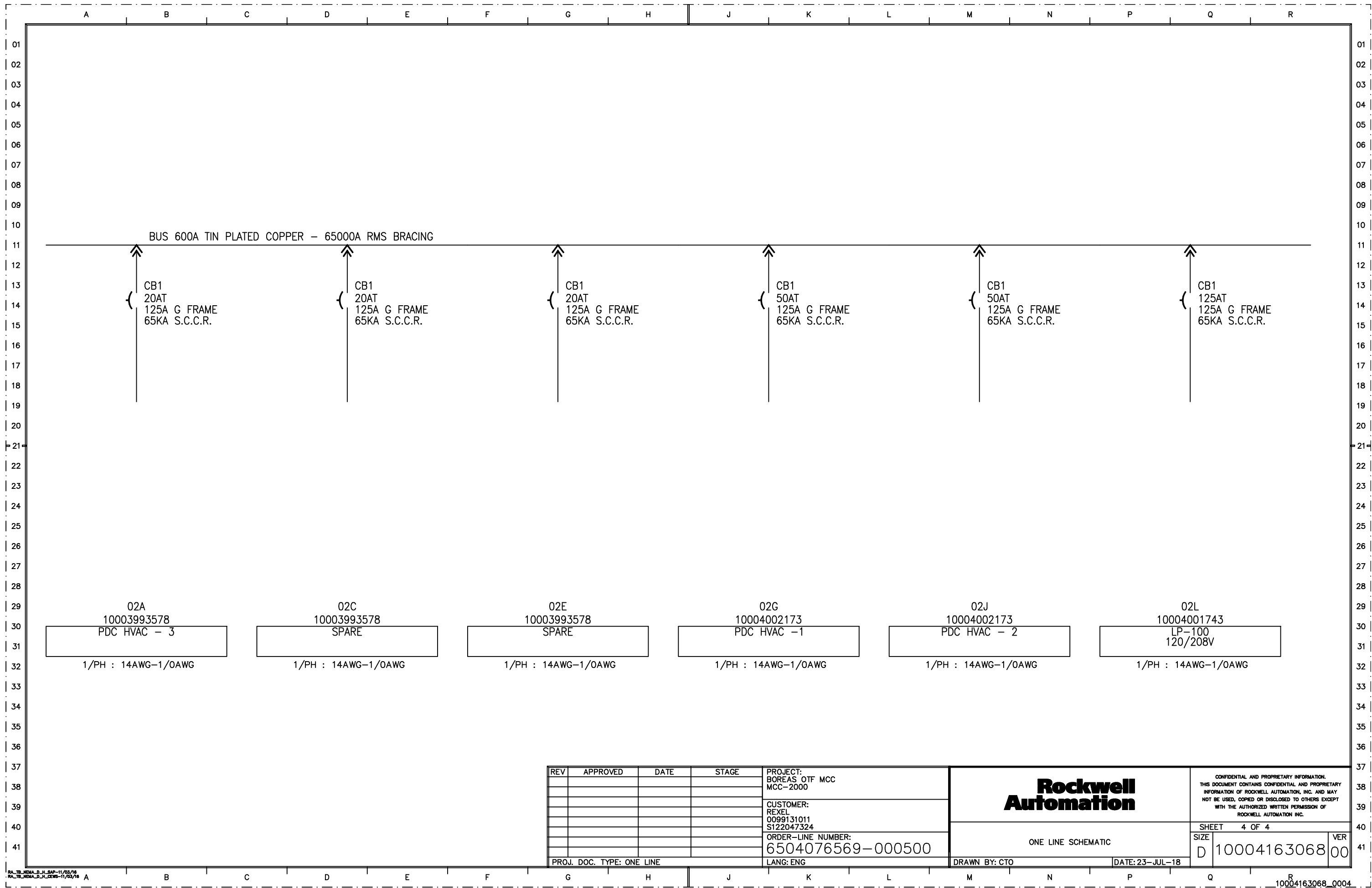
SHEET 3 OF 4
SIZE D 10004163068
VER 00

PROJ. DOC. TYPE: ONE LINE

DRAWN BY: CTO

DATE: 23-JUL-18

10004163068_0003



BUS 600A TIN PLATED COPPER - 65000A RMS BRACING

CB1
20AT
125A G FRAME
65KA S.C.C.R.

CB1
20AT
125A G FRAME
65KA S.C.C.R.

CB1
20AT
125A G FRAME
65KA S.C.C.R.

CB1
50AT
125A G FRAME
65KA S.C.C.R.

CB1
50AT
125A G FRAME
65KA S.C.C.R.

CB1
125AT
125A G FRAME
65KA S.C.C.R.

02A
10003993578
PDC HVAC - 3
1/PH : 14AWG-1/OAWG

02C
10003993578
SPARE
1/PH : 14AWG-1/OAWG

02E
10003993578
SPARE
1/PH : 14AWG-1/OAWG

02G
10004002173
PDC HVAC - 1
1/PH : 14AWG-1/OAWG

02J
10004002173
PDC HVAC - 2
1/PH : 14AWG-1/OAWG

02L
10004001743
LP-100
120/208V
1/PH : 14AWG-1/OAWG

REV	APPROVED	DATE	STAGE	PROJECT: BOREAS OTF MCC MCC-2000
				CUSTOMER: REXEL 0099131011 S122047324
				ORDER-LINE NUMBER: 6504076569-000500
				LANG: ENG

Rockwell Automation		CONFIDENTIAL AND PROPRIETARY INFORMATION. THIS DOCUMENT CONTAINS CONFIDENTIAL AND PROPRIETARY INFORMATION OF ROCKWELL AUTOMATION, INC. AND MAY NOT BE USED, COPIED OR DISCLOSED TO OTHERS EXCEPT WITH THE AUTHORIZED WRITTEN PERMISSION OF ROCKWELL AUTOMATION INC.	
		ONE LINE SCHEMATIC	SHEET 4 OF 4
DRAWN BY: CTO	DATE: 23-JUL-18	SIZE D	VER 00 10004163068

Rockwell Automation

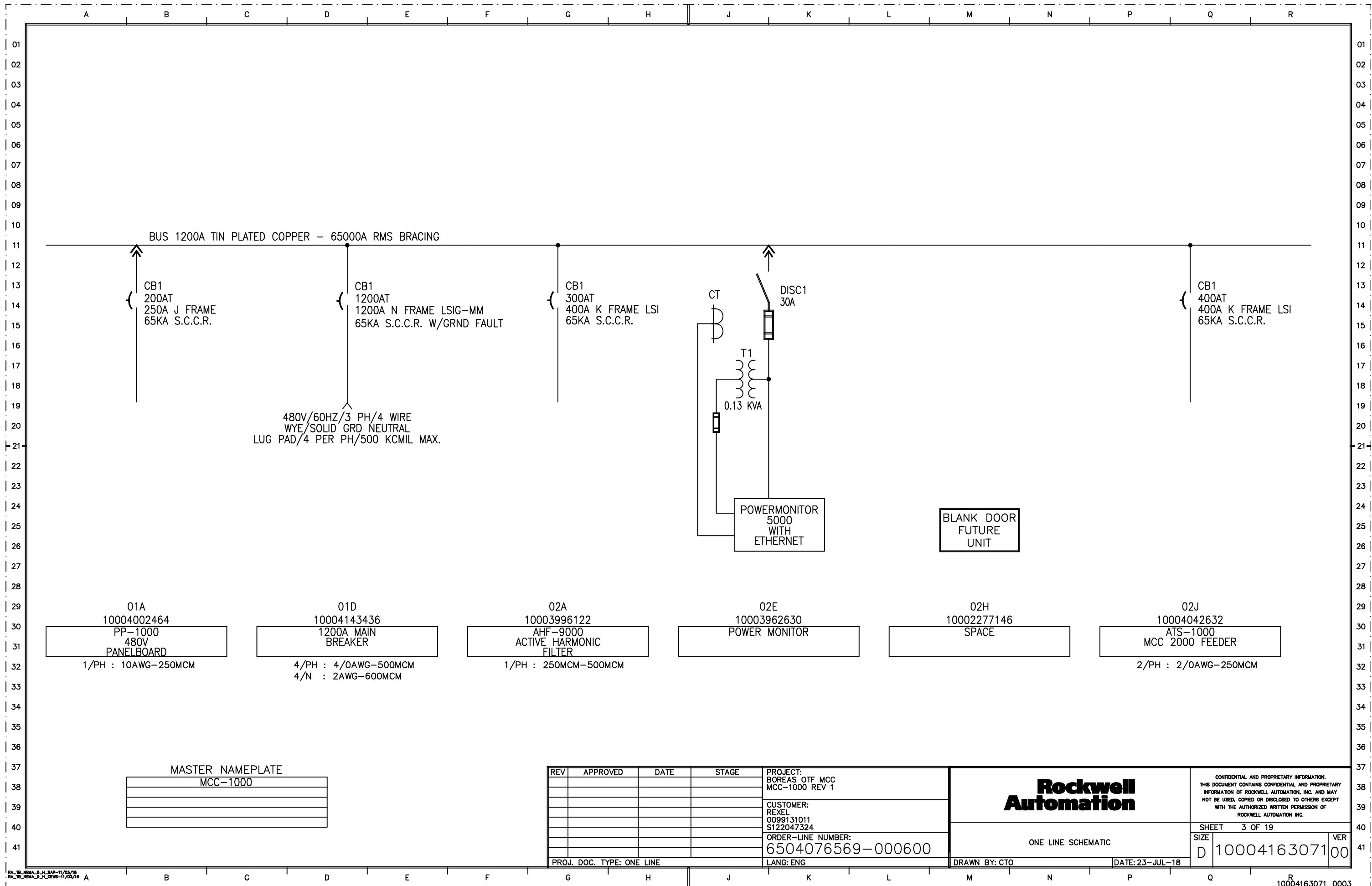
CENTERLINE 2100 MOTOR CONTROL CENTER

PROJECT: BOREAS OTF MCC
MCC: MCC-1000 REV 1

REV	APPROVED	DATE	STAGE	PROJECT: BOREAS OTF MCC MCC-1000 REV 1	Rockwell Automation	CONFIDENTIAL AND PROPRIETARY INFORMATION. THIS DOCUMENT CONTAINS CONFIDENTIAL AND PROPRIETARY INFORMATION OF ROCKWELL AUTOMATION, INC. AND MAY NOT BE USED, COPIED OR DISCLOSED TO OTHERS EXCEPT WITH THE AUTHORIZED WRITTEN PERMISSION OF ROCKWELL AUTOMATION INC.
				CUSTOMER: REXEL 0099131011 S122047324		
				ORDER-LINE NUMBER: 6504076569-000600	ONE LINE COVER SHEET	SHEET 1 OF 19
				PROJ. DOC. TYPE: COVER SHEET	LANG: ENG	SIZE D 10004163071 VER 00
					DRAWN BY: CTO	DATE: 23-JUL-18

<p>01 MOTOR CONTROL CENTER STRUCTURE SPECIFICATIONS</p> <p>02 ENCLOSURE DATA</p> <p>03 NEMA TYPE 1G ENCLOSURES</p> <p>04 90" [2286] ENCLOSURE HEIGHT</p> <p>05 15" [381] ENCLOSURE DEPTH</p> <p>06 FRONT MOUNTED ENCLOSURE STYLE</p> <p>07 ANSI 49 ENCLOSURE FINISH</p> <p>08 TOTAL NUMBER OF SECTIONS 13</p> <p>09 TOTAL NUMBER OF SHIPPING BLOCKS 8</p> <p>10 MAIN CIRCUIT BREAKER</p> <p>11 INCOMING POWER SYSTEM</p> <p>12 WYE/3 PH/4 WIRE W/SOLID GRD NEUT POWER SYSTEM</p> <p>13 480V POWER SYSTEM LINE VOLTAGE</p> <p>14 60HZ POWER SYSTEM LINE FREQUENCY</p> <p>15 CUSTOMER INCOMING CABLES ENTRY: BOTTOM</p> <p>16 POWER BUS</p> <p>17 1200A HORIZONTAL POWER BUS</p> <p>18 HORIZONTAL POWER BUS MATERIAL IS COPPER</p> <p>19 TIN HORIZONTAL POWER BUS PLATING</p> <p>20 65000A RMS HORIZONTAL POWER BUS BRACING</p> <p>21 VERTICAL POWER BUS MATERIAL IS TIN PLATED COPPER</p> <p>22 AUTOMATIC SHUTTER VERTICAL BUS OPENING PROTECTION</p> <p>23 GROUND BUS</p> <p>24 0.25" X 1" [6.4] X [25.4] HORIZONTAL GROUND BUS</p> <p>25 HORIZONTAL GROUND BUS IS UNPLATED COPPER</p> <p>26 GROUND BUS LOCATED IN BOTTOM HORIZONTAL WIREWAY</p> <p>27 VERTICAL GROUND BUS: PLUG-IN (STANDARD)</p> <p>28 OUTGOING GROUND LUG PROVIDED</p> <p>29 EQUIPMENT GROUND LUG SIZE: #6AWG - 250 KCMIL</p> <p>30 INCOMING GROUND CABLES: 2</p> <p>31 OUTGOING EQUIP GRD LUG PROVIDED(GRD LUGS AT EACH END OF MCC)</p> <p>32 NEUTRAL BUS</p> <p>33 NEUTRAL BUS LOCATED BELOW MAIN BUS</p> <p>34 NEUTRAL BUS RATING IS THE SAME AS MAIN BUS RATING</p> <p>35</p> <p>36</p> <p>37 ONE-LINE LEGEND</p> <p>38 UNIT LOCATION: 01A</p> <p>39 SCHEMATIC/DIAGRAM: 1000XXXXXX</p> <div style="border: 1px solid black; width: 100px; height: 20px; margin: 5px auto;"></div> <p>40 CUSTOMER LOAD WIRE SIZE RANGE</p> <p>41 GND/NEUT. WIRE SIZE RANGE</p>	<p>MOTOR CONTROL CENTER STRUCTURE SPECIFICATIONS</p> <p>NEUTRAL CONNECTION PLATES IN HORIZONTAL WIREWAY</p> <p>NEUTRAL CONNECTION PLATE IN SECTION BOTTOM WIREWAYS</p> <p>03</p> <p>STANDARD 300A VERTICAL POWER BUS CABINET(S)</p> <p>08</p> <p>600A VERTICAL POWER BUS CABINET(S)</p> <p>01, 02, 03, 04, 05, 07, 09, 10, 11, 12, 13</p> <p>HORIZONTAL NEUTRAL BUS CABINET(S)</p> <p>01, 02, 03, 04, 05, 06, 07, 08, 09, 10, 11, 12, 13</p> <p>VERTICAL NEUTRAL BUS CABINET(S)</p> <p>NONE REQUESTED</p> <p>PULLBOX REQUIRED ON CABINET(S)</p> <p>NONE REQUESTED</p>	<p>MOTOR CONTROL CENTER STRUCTURE SPECIFICATIONS</p> <p>ENCLOSURE OPTIONS REQUESTED</p> <p>MASTER NAMEPLATE REQUIRED WITH 1 LINE OF TEXT</p> <p>BOTTOM PLATES</p> <p>VERTICAL WIREWAY TIE-BARS</p> <p>ISOLATION BARRIERS UNIT AND WIREWAY</p> <p>MOTOR CONTROL CENTER COMMON UNIT OPTIONS</p> <p>ACRYLIC STYLE UNIT NAMEPLATES</p> <p>BLACK LETTERS ON WHITE UNIT NAMEPLATE COLOR</p> <p>3 - LINES OF INFORMATION PER UNIT NAMEPLATE</p> <p>IP ADDRESSES NOT PROVIDED ON NAMEPLATES</p> <p>EXTERNAL OVERLOAD RESET BUTTONS</p> <p>UNIT DIAGRAM LOCATION: CENTRAL</p> <p>NETWORK INFORMATION</p> <p>NETWORK TYPE: ETHERNET/IP</p>
--	---	--

REV	APPROVED	DATE	STAGE	PROJECT: BOREAS OTF MCC MCC-1000 REV 1	Rockwell Automation	CONFIDENTIAL AND PROPRIETARY INFORMATION. THIS DOCUMENT CONTAINS CONFIDENTIAL AND PROPRIETARY INFORMATION OF ROCKWELL AUTOMATION, INC. AND MAY NOT BE USED, COPIED OR DISCLOSED TO OTHERS EXCEPT WITH THE AUTHORIZED WRITTEN PERMISSION OF ROCKWELL AUTOMATION INC.
				CUSTOMER: REXEL 0099131011 S122047324		
				ORDER-LINE NUMBER: 6504076569-000600	SPECIFICATIONS SHEET	SHEET 2 OF 19
PROJ. DOC. TYPE: SPECIFICATIONS SHEET				LANG: ENG	DRAWN BY: CTO	DATE: 23-JUL-18
					SIZE	VER
					D	10004163071
						00



01A
10004002464
PP-1000
480V
PANELBOARD
1/PH : 10AWG-250MCM

01D
10004143436
1200A MAIN
BREAKER
4/PH : 4/0AWG-500MCM
4/N : 2AWG-600MCM

02A
10003996122
AHF-9000
ACTIVE HARMONIC
FILTER
1/PH : 250MCM-500MCM

02E
10003962630
POWER MONITOR

02H
10002277146
SPACE

02J
10004042632
ATS-1000
MCC 2000 FEEDER
2/PH : 2/0AWG-250MCM

MASTER NAMEPLATE
MCC-1000

REV	APPROVED	DATE	STAGE	PROJECT: BOREAS OTF MCC MCC-1000 REV 1
				CUSTOMER: REXEL 0099131011 S122047324
				ORDER-LINE NUMBER: 6504076569-000600
				LANG: ENG

Rockwell Automation

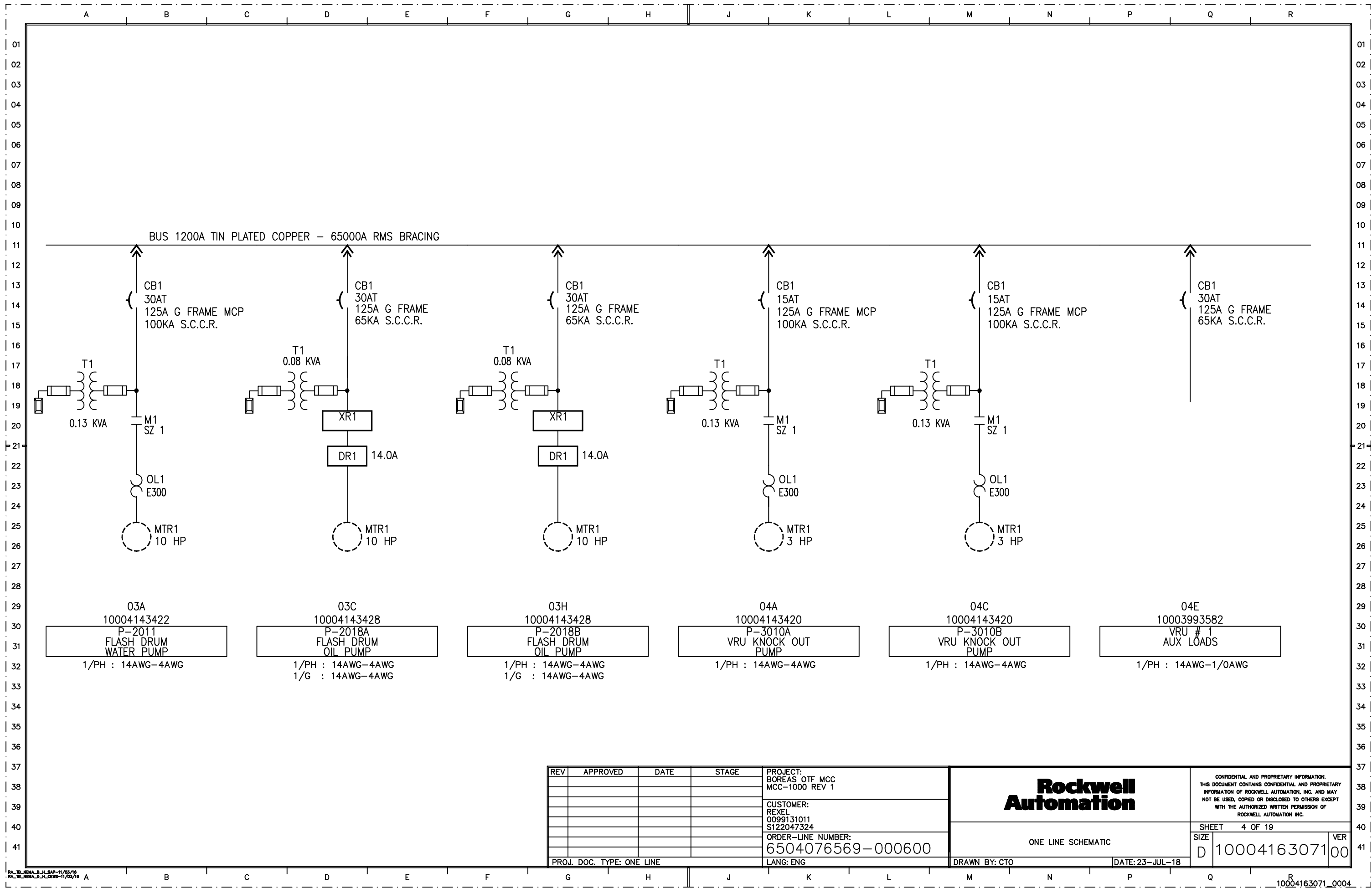
ONE LINE SCHEMATIC

DRAWN BY: CTO DATE: 23-JUL-18

CONFIDENTIAL AND PROPRIETARY INFORMATION.
THIS DOCUMENT CONTAINS CONFIDENTIAL AND PROPRIETARY
INFORMATION OF ROCKWELL AUTOMATION, INC. AND MAY
NOT BE USED, COPIED OR DISCLOSED TO OTHERS EXCEPT
WITH THE AUTHORIZED WRITTEN PERMISSION OF
ROCKWELL AUTOMATION INC.

SHEET 3 OF 19

SIZE D 10004163071 VER 00



03A
10004143422
P-2011
FLASH DRUM
WATER PUMP
1/PH : 14AWG-4AWG

03C
10004143428
P-2018A
FLASH DRUM
OIL PUMP
1/PH : 14AWG-4AWG
1/G : 14AWG-4AWG

03H
10004143428
P-2018B
FLASH DRUM
OIL PUMP
1/PH : 14AWG-4AWG
1/G : 14AWG-4AWG

04A
10004143420
P-3010A
VRU KNOCK OUT
PUMP
1/PH : 14AWG-4AWG

04C
10004143420
P-3010B
VRU KNOCK OUT
PUMP
1/PH : 14AWG-4AWG

04E
10003993582
VRU # 1
AUX LOADS
1/PH : 14AWG-1/OAWG

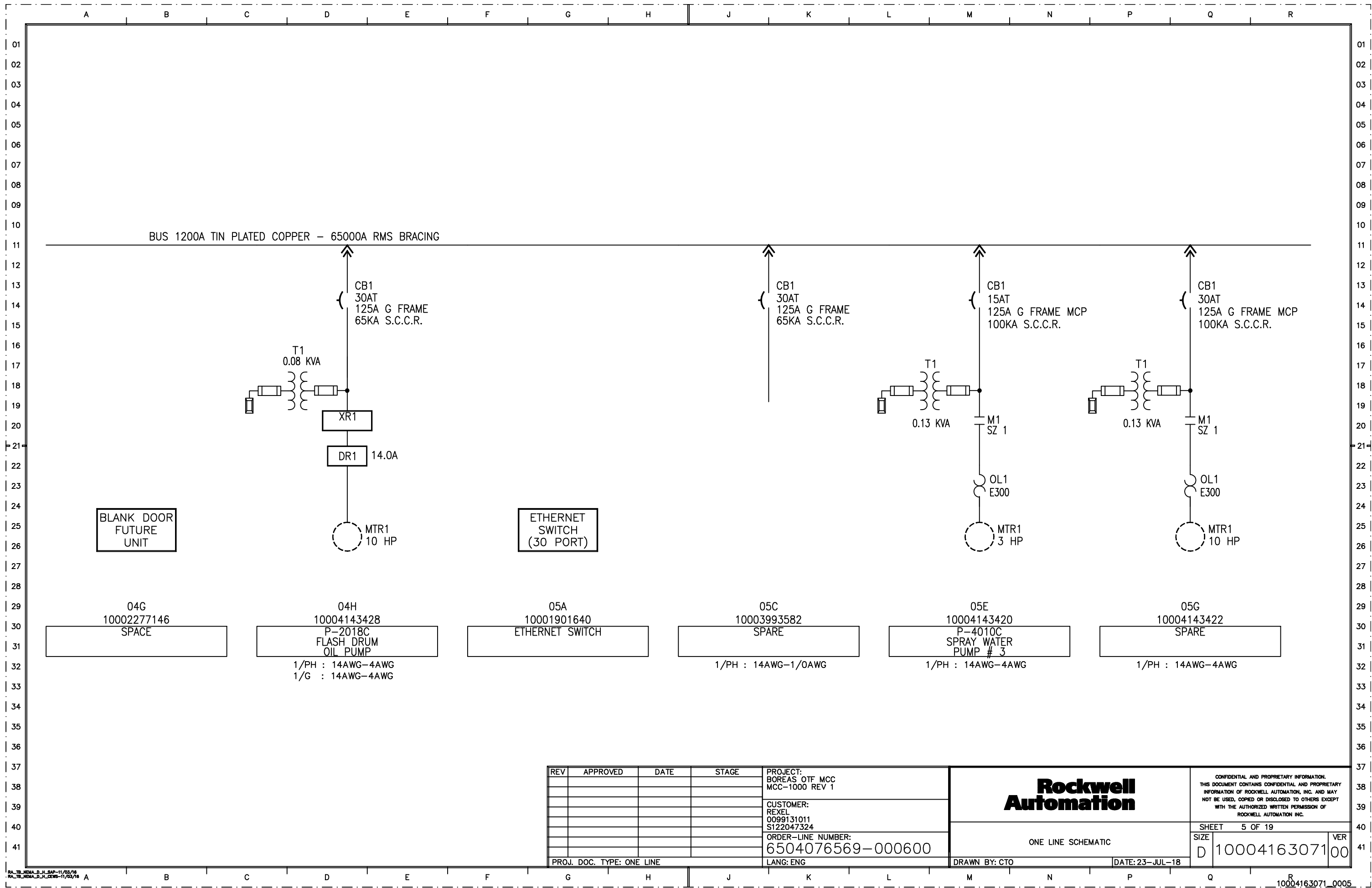
REV	APPROVED	DATE	STAGE	PROJECT: BOREAS OTF MCC MCC-1000 REV 1
				CUSTOMER: REXEL 0099131011 S122047324
				ORDER-LINE NUMBER: 6504076569-000600
				LANG: ENG

ONE LINE SCHEMATIC

CONFIDENTIAL AND PROPRIETARY INFORMATION.
THIS DOCUMENT CONTAINS CONFIDENTIAL AND PROPRIETARY
INFORMATION OF ROCKWELL AUTOMATION, INC. AND MAY
NOT BE USED, COPIED OR DISCLOSED TO OTHERS EXCEPT
WITH THE AUTHORIZED WRITTEN PERMISSION OF
ROCKWELL AUTOMATION INC.

SHEET 4 OF 19

SIZE D 10004163071 VER 00



BLANK DOOR
FUTURE
UNIT

ETHERNET
SWITCH
(30 PORT)

04G
10002277146
SPACE

04H
10004143428
P-2018C
FLASH DRUM
OIL PUMP
1/PH : 14AWG-4AWG
1/G : 14AWG-4AWG

05A
10001901640
ETHERNET SWITCH

05C
10003993582
SPARE
1/PH : 14AWG-1/0AWG

05E
10004143420
P-4010C
SPRAY WATER
PUMP # 3
1/PH : 14AWG-4AWG

05G
10004143422
SPARE
1/PH : 14AWG-4AWG

REV	APPROVED	DATE	STAGE	PROJECT: BOREAS OTF MCC MCC-1000 REV 1
				CUSTOMER: REXEL 0099131011 S122047324
				ORDER-LINE NUMBER: 6504076569-000600
				LANG: ENG

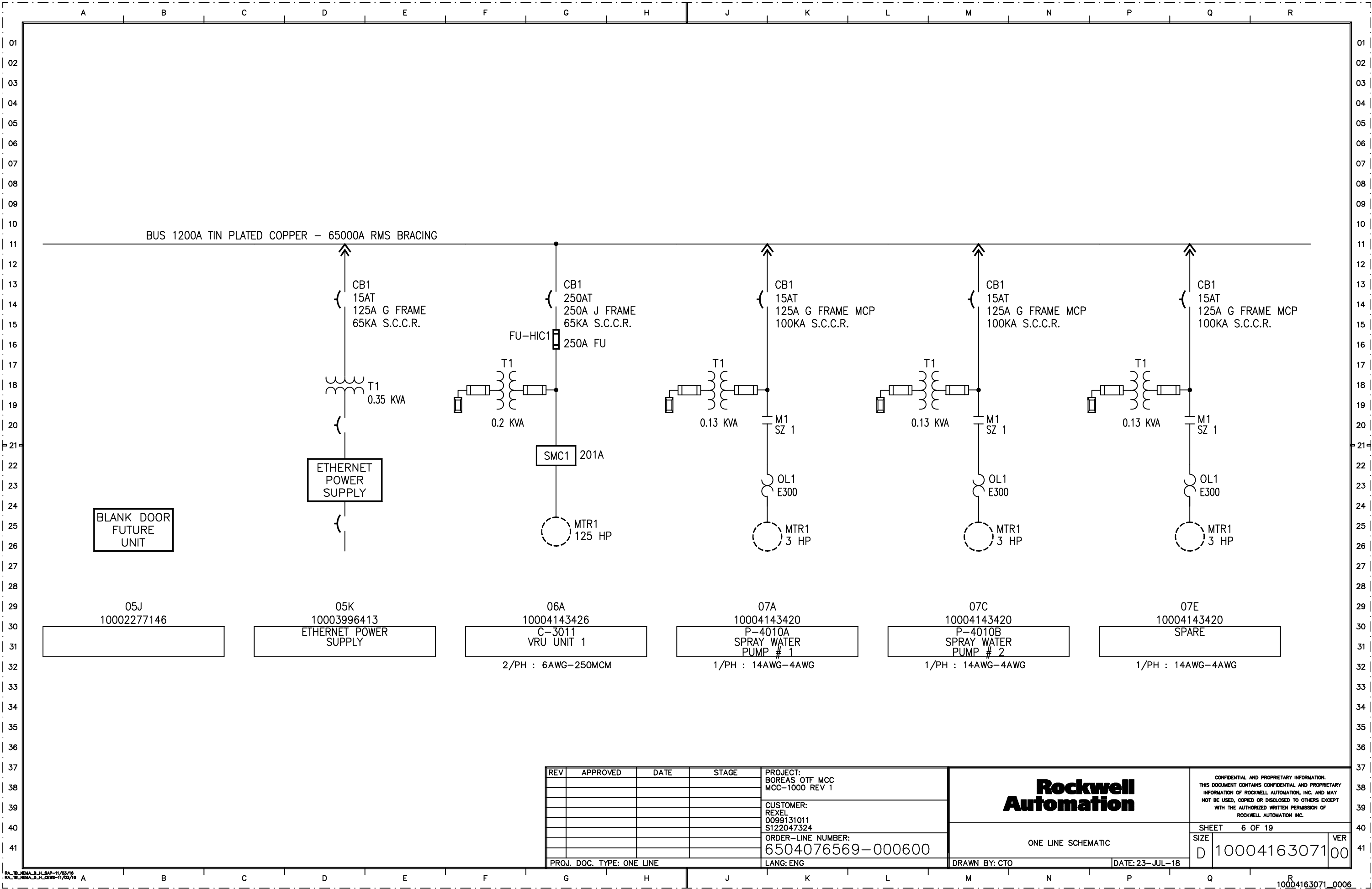
**Rockwell
Automation**

ONE LINE SCHEMATIC


DRAWN BY: CTO DATE: 23-JUL-18

SHEET 5 OF 19	
SIZE D	VER 10004163071 00

CONFIDENTIAL AND PROPRIETARY INFORMATION.
THIS DOCUMENT CONTAINS CONFIDENTIAL AND PROPRIETARY
INFORMATION OF ROCKWELL AUTOMATION, INC. AND MAY
NOT BE USED, COPIED OR DISCLOSED TO OTHERS EXCEPT
WITH THE AUTHORIZED WRITTEN PERMISSION OF
ROCKWELL AUTOMATION INC.



REV	APPROVED	DATE	STAGE	PROJECT:
				BOREAS OTF MCC
				MCC-1000 REV 1
				CUSTOMER:
				REXEL
				0099131011
				S122047324
				ORDER-LINE NUMBER:
				6504076569-000600
				LANG: ENG

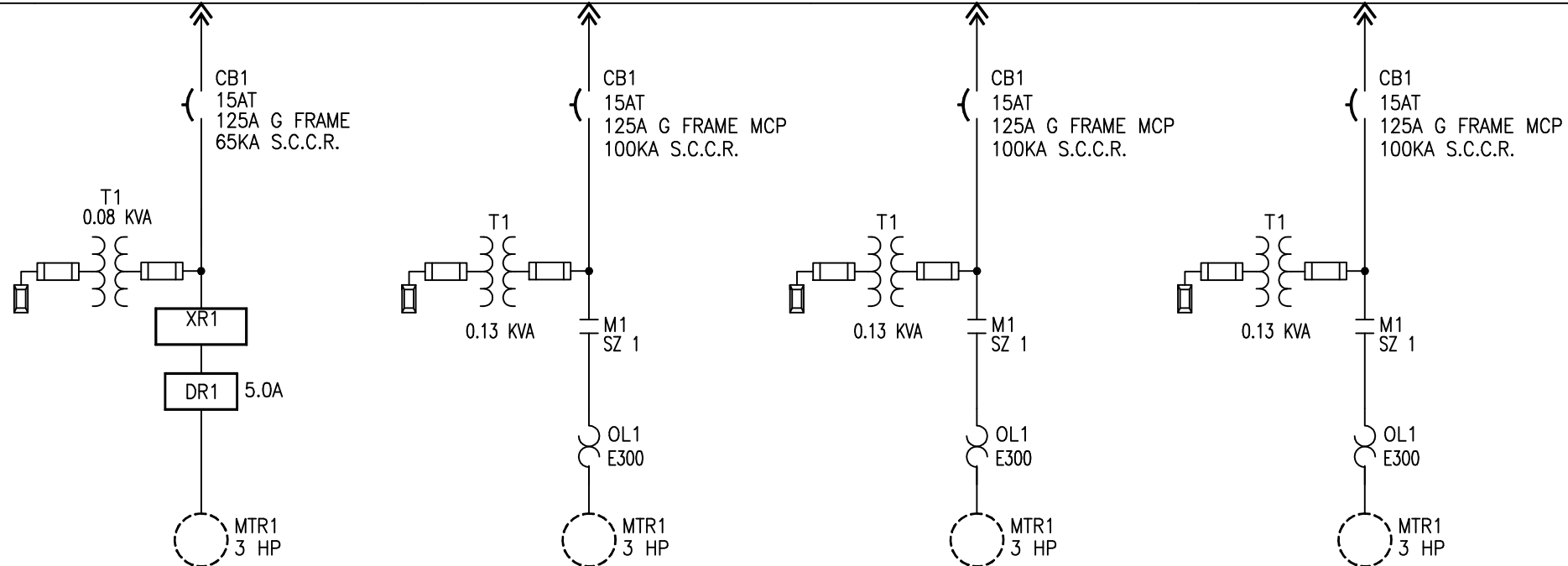


ONE LINE SCHEMATIC

SHEET 6 OF 19	
SIZE D	VER 00
10004163071	

DATE: 23-JUL-18

BUS 1200A TIN PLATED COPPER - 65000A RMS BRACING



BLANK DOOR
FUTURE
UNIT

BLANK DOOR
FUTURE
UNIT

07G
10002277146

07H
10004143434
AC-4010A
OIL COOLER
FAN # 1
1/PH : 14AWG-4AWG
1/G : 14AWG-4AWG

08A
10004143420
P-4015
BLOW DOWN
PUMP
1/PH : 14AWG-4AWG

08C
10004143420
P-4020
MAKE UP WATER
PUMP
1/PH : 14AWG-4AWG

08E
10004143420
P-4011
OFF SPEC OIL
PUMP
1/PH : 14AWG-4AWG

08G
10002277146

REV	APPROVED	DATE	STAGE	PROJECT: BOREAS OTF MCC MCC-1000 REV 1
				CUSTOMER: REXEL 0099131011 S122047324
				ORDER-LINE NUMBER: 6504076569-000600
				LANG: ENG
PROJ. DOC. TYPE: ONE LINE				

Rockwell
Automation

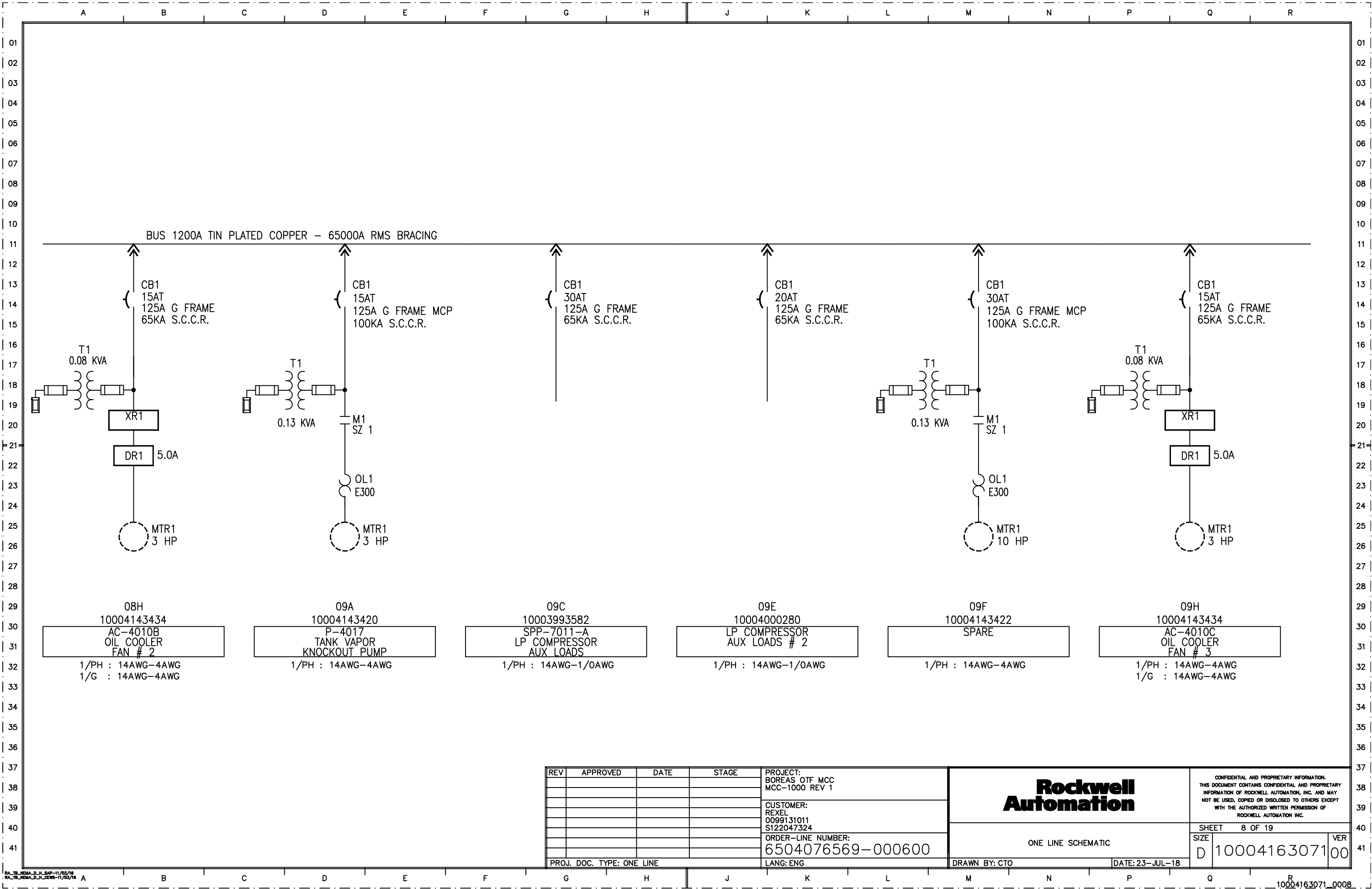
CONFIDENTIAL AND PROPRIETARY INFORMATION.
THIS DOCUMENT CONTAINS CONFIDENTIAL AND PROPRIETARY
INFORMATION OF ROCKWELL AUTOMATION, INC. AND MAY
NOT BE USED, COPIED OR DISCLOSED TO OTHERS EXCEPT
WITH THE AUTHORIZED WRITTEN PERMISSION OF
ROCKWELL AUTOMATION INC.

ONE LINE SCHEMATIC

SHEET 7 OF 19

SIZE D 10004163071 VER 00

DRAWN BY: CTO DATE: 23-JUL-18



08H
10004143434
AC-4010B
OIL COOLER
FAN # 2
1/PH : 14AWG-4AWG
1/G : 14AWG-4AWG

09A
10004143420
P-4017
TANK VAPOR
KNOCKOUT PUMP
1/PH : 14AWG-4AWG

09C
10003993582
SPP-7011-A
LP COMPRESSOR
AUX LOADS
1/PH : 14AWG-1/OAWG

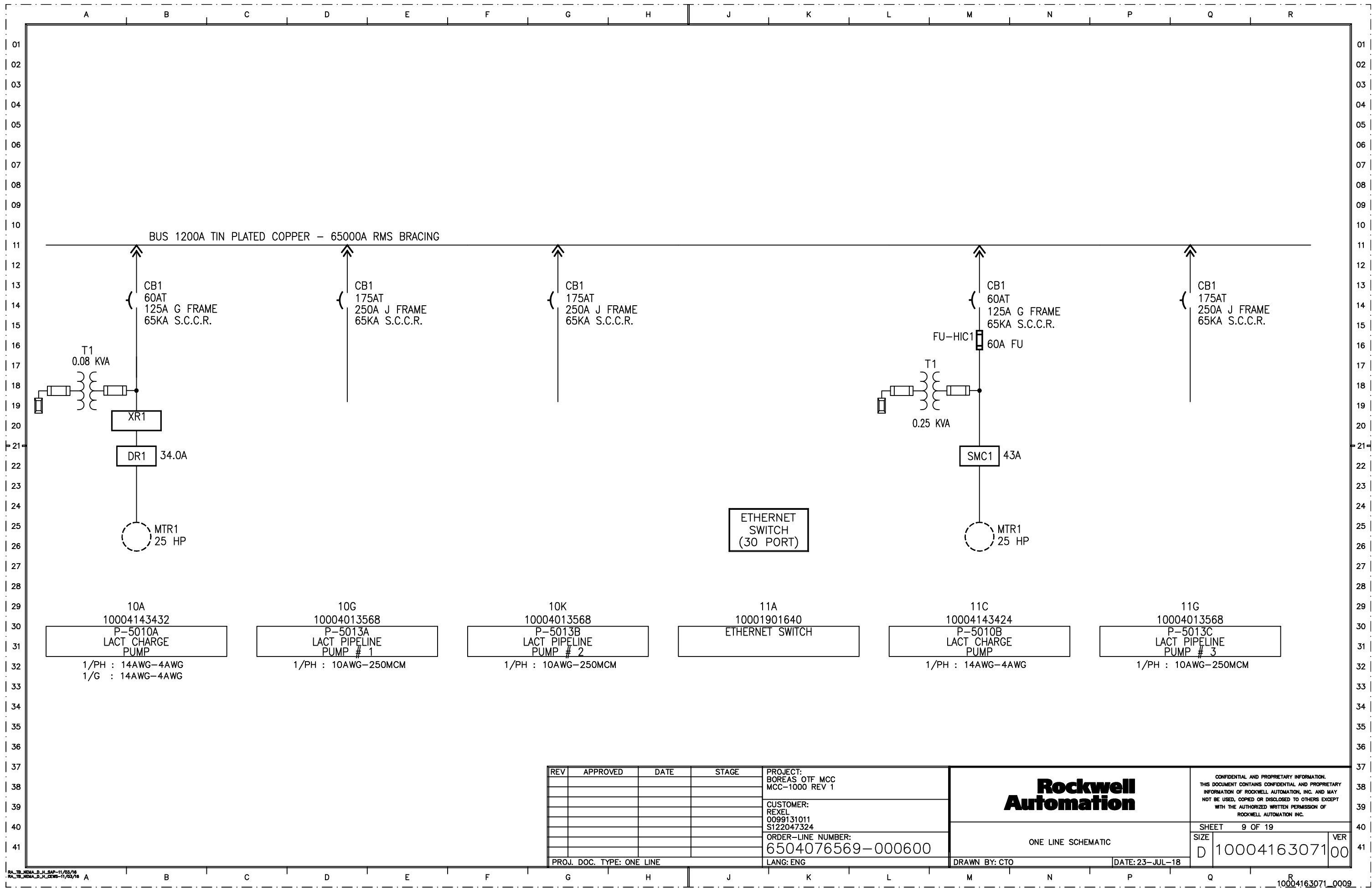
09E
10004000280
LP COMPRESSOR
AUX LOADS # 2
1/PH : 14AWG-1/OAWG

09F
10004143422
SPARE
1/PH : 14AWG-4AWG

09H
10004143434
AC-4010C
OIL COOLER
FAN # 3
1/PH : 14AWG-4AWG
1/G : 14AWG-4AWG

REV	APPROVED	DATE	STAGE	PROJECT: BOREAS OTF MCC MCC-1000 REV 1
				CUSTOMER: REXEL 0099131011 S122047324
				ORDER-LINE NUMBER: 6504076569-000600
				LANG: ENG

Rockwell Automation		CONFIDENTIAL AND PROPRIETARY INFORMATION. THIS DOCUMENT CONTAINS CONFIDENTIAL AND PROPRIETARY INFORMATION OF ROCKWELL AUTOMATION, INC. AND MAY NOT BE USED, COPIED OR DISCLOSED TO OTHERS EXCEPT WITH THE AUTHORIZED WRITTEN PERMISSION OF ROCKWELL AUTOMATION INC.	
		ONE LINE SCHEMATIC	SHEET 8 OF 19
DRAWN BY: CTO	DATE: 23-JUL-18	SIZE D	VER 00 10004163071



REV	APPROVED	DATE	STAGE	PROJECT:
				BOREAS OTF MCC
				MCC-1000 REV 1
				CUSTOMER:
				REXEL
				0099131011
				S122047324
				ORDER-LINE NUMBER:
				6504076569-000600
				LANG: ENG
PROJ. DOC. TYPE: ONE LINE				

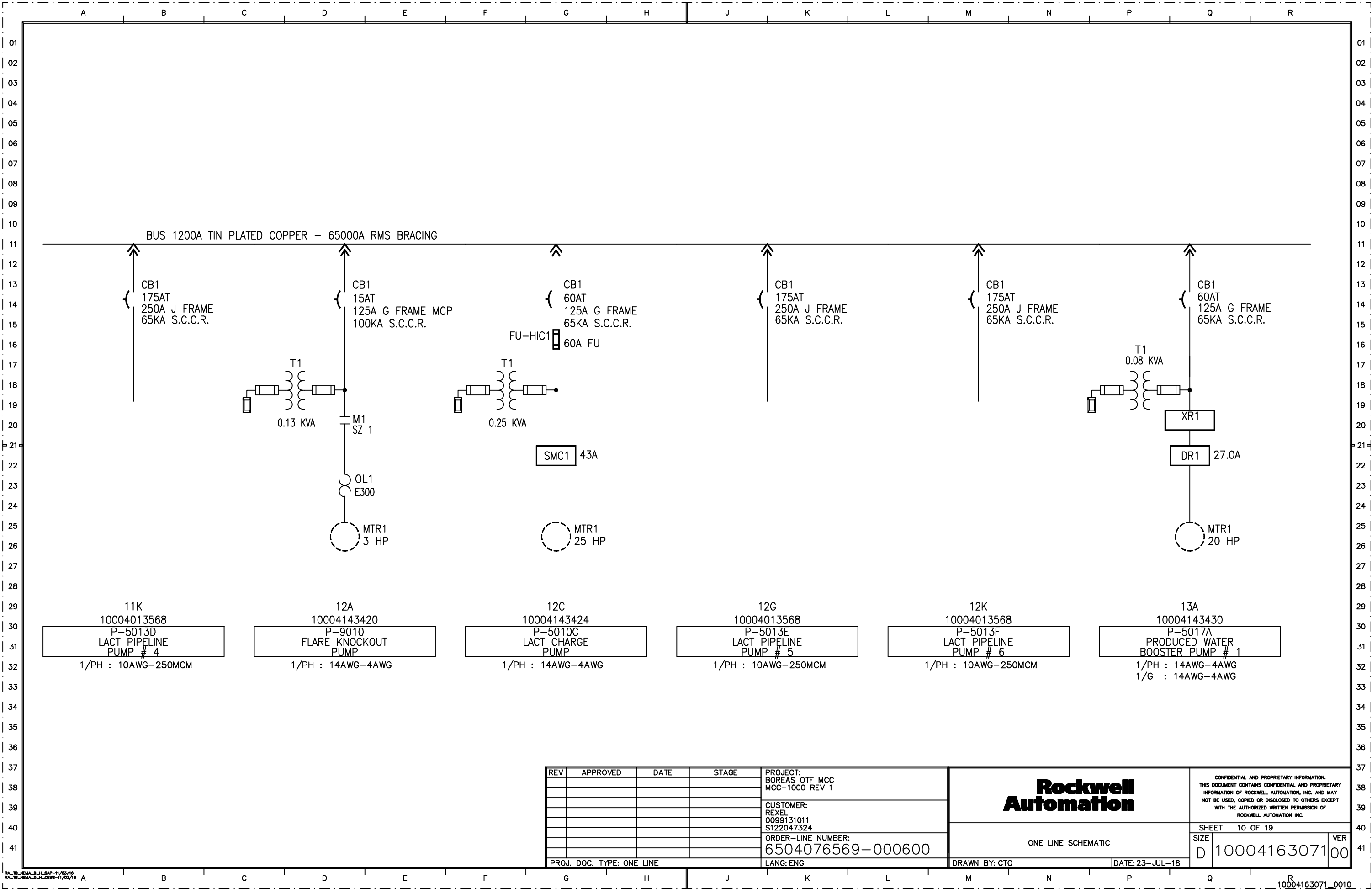
ONE LINE SCHEMATIC

CONFIDENTIAL AND PROPRIETARY INFORMATION. THIS DOCUMENT CONTAINS CONFIDENTIAL AND PROPRIETARY INFORMATION OF ROCKWELL AUTOMATION, INC. AND MAY NOT BE USED, COPIED OR DISCLOSED TO OTHERS EXCEPT WITH THE AUTHORIZED WRITTEN PERMISSION OF ROCKWELL AUTOMATION INC.

SHEET 9 OF 19

SIZE	VER
D 10004163071	00

DRAWN BY: CTO DATE: 23-JUL-18



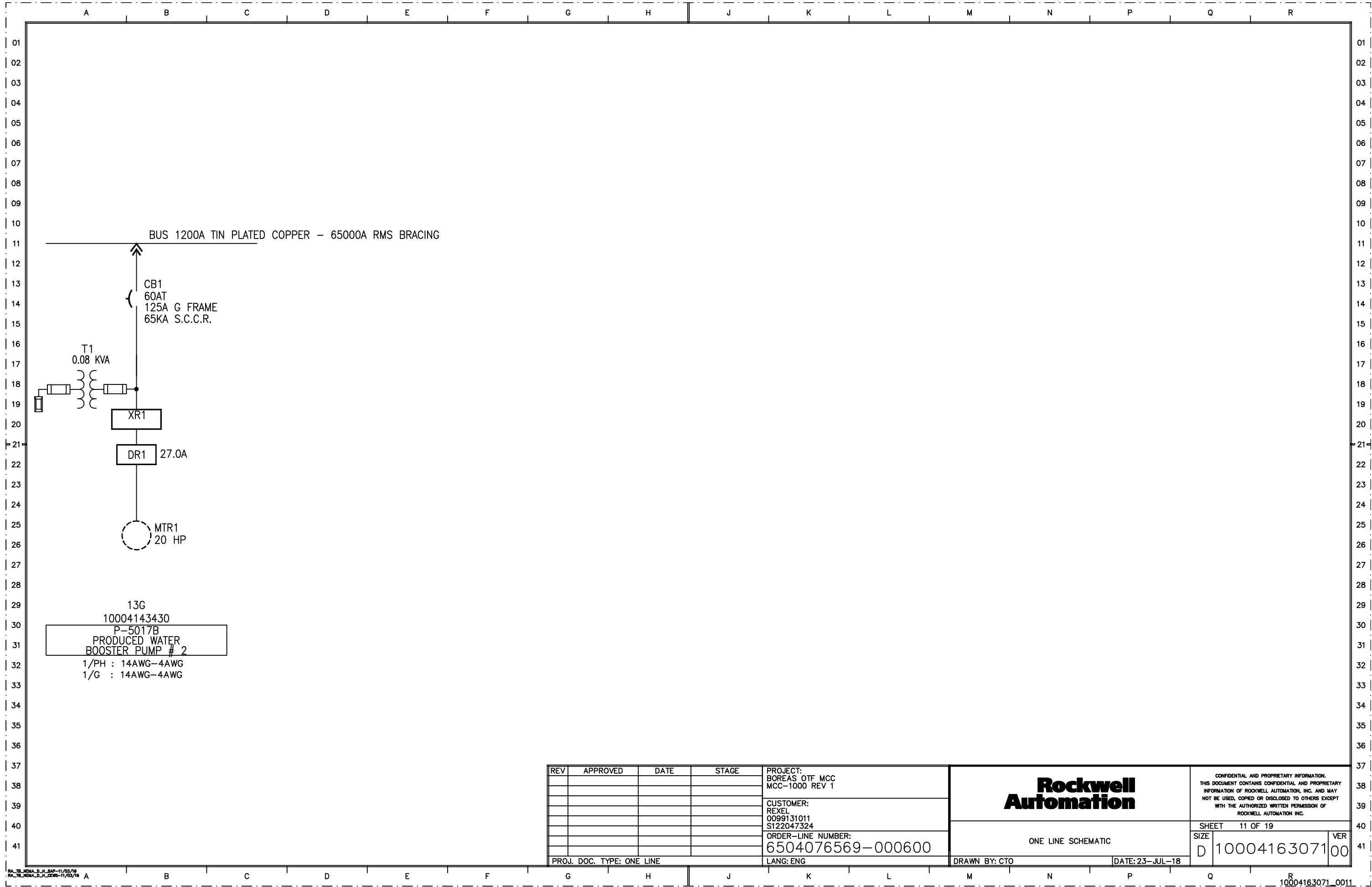
REV	APPROVED	DATE	STAGE

PROJECT: BOREAS OTF MCC
 MCC-1000 REV 1
 CUSTOMER: REXEL
 0099131011
 S122047324
 ORDER-LINE NUMBER:
 6504076569-000600
 LANG: ENG

Rockwell Automation

ONE LINE SCHEMATIC

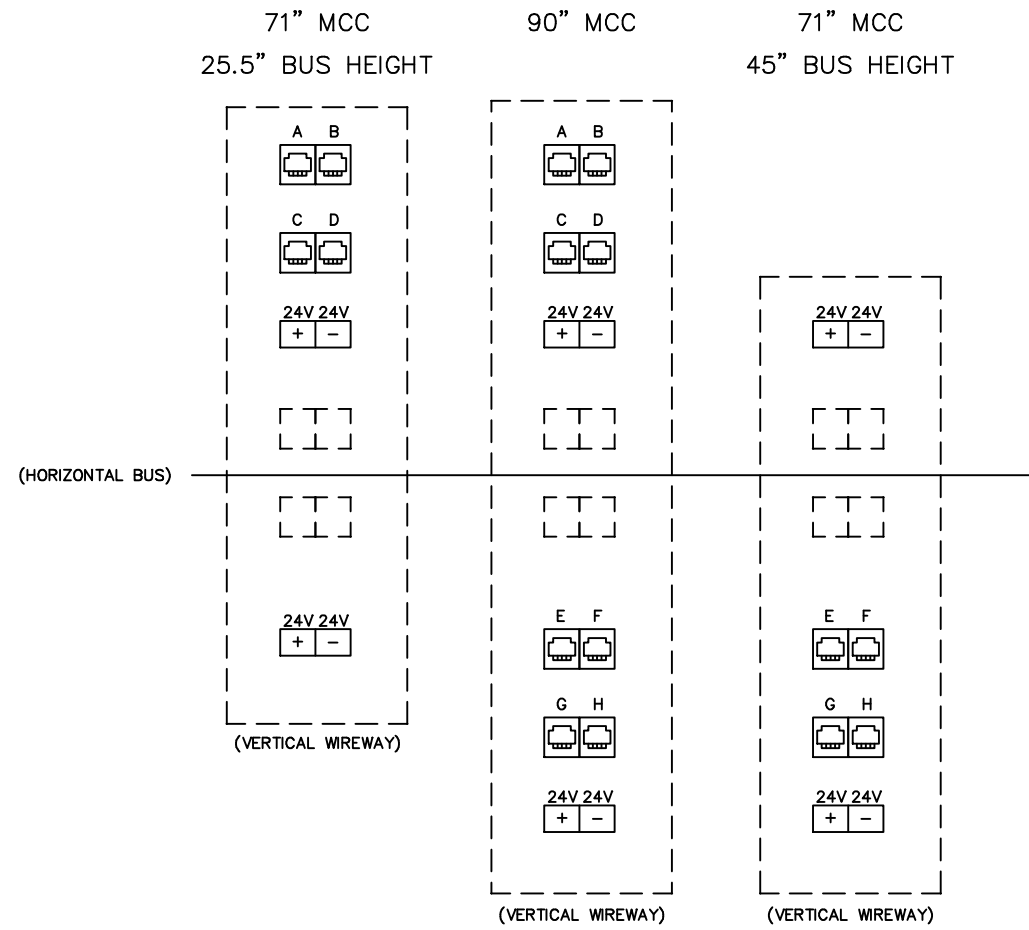
CONFIDENTIAL AND PROPRIETARY INFORMATION.
 THIS DOCUMENT CONTAINS CONFIDENTIAL AND PROPRIETARY INFORMATION OF ROCKWELL AUTOMATION, INC. AND MAY NOT BE USED, COPIED OR DISCLOSED TO OTHERS EXCEPT WITH THE AUTHORIZED WRITTEN PERMISSION OF ROCKWELL AUTOMATION INC.
 SHEET 10 OF 19
 SIZE D 10004163071 VER 00
 DATE: 23-JUL-18
 DRAWN BY: CTO



REV	APPROVED	DATE	STAGE	PROJECT: BOREAS OTF MCC MCC-1000 REV 1
				CUSTOMER: REXEL 0099131011 S122047324
				ORDER-LINE NUMBER: 6504076569-000600
				PROJ. DOC. TYPE: ONE LINE
				LANG: ENG

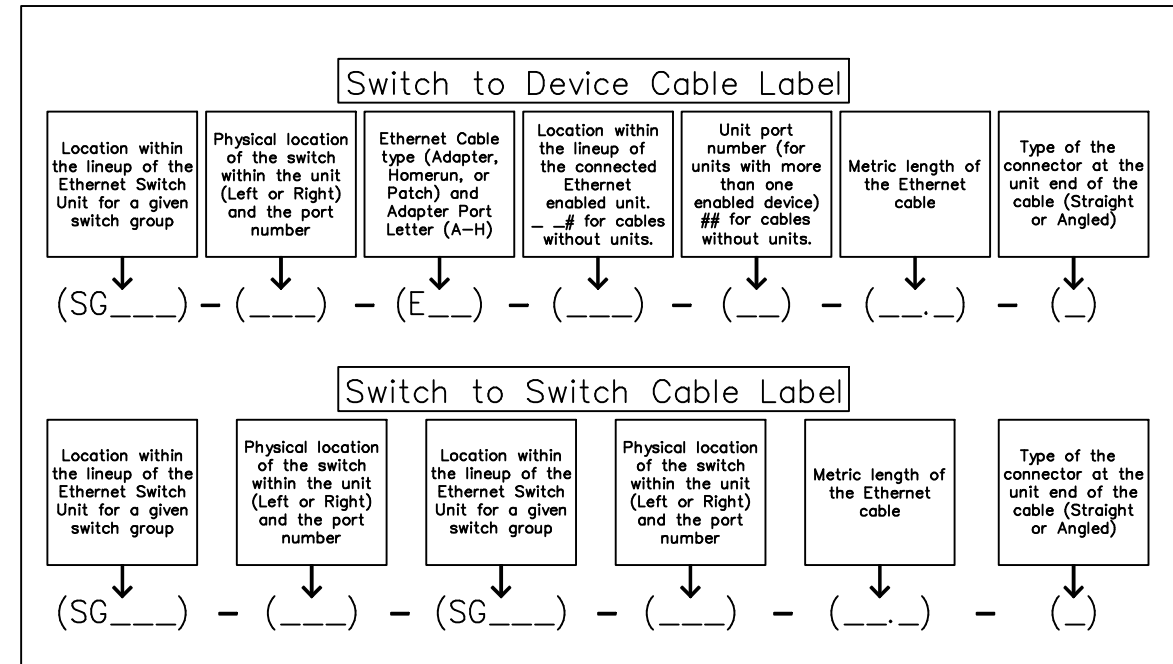
Rockwell Automation		CONFIDENTIAL AND PROPRIETARY INFORMATION. THIS DOCUMENT CONTAINS CONFIDENTIAL AND PROPRIETARY INFORMATION OF ROCKWELL AUTOMATION, INC. AND MAY NOT BE USED, COPIED OR DISCLOSED TO OTHERS EXCEPT WITH THE AUTHORIZED WRITTEN PERMISSION OF ROCKWELL AUTOMATION INC.	
ONE LINE SCHEMATIC		SHEET 11 OF 19	VER
SIZE	D 10004163071	VER	00
DRAWN BY: CTO		DATE: 23-JUL-18	

VERTICAL WIREWAY ADAPTER PLACEMENT KEY



NOTE: PORT LOCATION KEY IS FOR REFERENCE ONLY. ACTUAL LAYOUT MAY DIFFER BASED ON VERTICAL WIREWAY CONFIGURATION AS SHOWN IN NETWORK TABLE.

CABLE LABEL LEGEND



REV	APPROVED	DATE	STAGE	PROJECT: BOREAS OTF MCC MCC-1000 REV 1	Rockwell Automation	CONFIDENTIAL AND PROPRIETARY INFORMATION. THIS DOCUMENT CONTAINS CONFIDENTIAL AND PROPRIETARY INFORMATION OF ROCKWELL AUTOMATION, INC. AND MAY NOT BE USED, COPIED OR DISCLOSED TO OTHERS EXCEPT WITH THE AUTHORIZED WRITTEN PERMISSION OF ROCKWELL AUTOMATION INC.	
				CUSTOMER: REXEL 0099131011 S122047324		ETHERNET REFERENCE PAGE	SHEET 12 OF 19
				ORDER-LINE NUMBER: 6504076569-000600		SIZE D 10004163071	VER 00
PROJ. DOC. TYPE: ETHERNET REFERENCE				LANG: ENG	DRAWN BY: CTO	DATE: 23-JUL-18	

Ethernet Power Supply								
ENET PS Loc	ENET PS Cat #	2-Branch Redundant Unit Loc (1)	2-Branch Redundant Cat # (1)	Max Amp (A)	Left Branch Sections	Left Branch Total Current (A)	Right Branch Sections	Right Branch Total Current (A)
05K	2100-EPS8KB-30TGM			8.00	1 - 5	2.01	6 - 13	2.02


- (1) Column is left blank when the 2-branch redundant unit is not utilized.
- (2) Customer connection is made to terminal blocks in the corresponding 2-Branch Redundant Unit.

REV	APPROVED	DATE	STAGE	PROJECT: BOREAS OTF MCC MCC-1000 REV 1	Rockwell Automation	CONFIDENTIAL AND PROPRIETARY INFORMATION. THIS DOCUMENT CONTAINS CONFIDENTIAL AND PROPRIETARY INFORMATION OF ROCKWELL AUTOMATION, INC. AND MAY NOT BE USED, COPIED OR DISCLOSED TO OTHERS EXCEPT WITH THE AUTHORIZED WRITTEN PERMISSION OF ROCKWELL AUTOMATION INC.
				CUSTOMER: REXEL 0099131011 S122047324		
				ORDER-LINE NUMBER: 6504076569-000600		
PROJ. DOC. TYPE: POWER SUPPLIES				LANG: ENG	DRAWN BY: CTO	DATE: 23-JUL-18
					ETHERNET POWER SUPPLIES	SHEET 13 OF 19
					SIZE D	10004163071
						VER 00

Ethernet Switch		Switch-to-Adapter Ethernet Cable (1)				Manufacturing Code (2)	Device Ethernet Cable		Device					
Switch Data		Port (3)	Adapter Section Loc.	Adapter Port Loc.	Label		Length (m)	Label	Length (m)	Unit Loc.	Type	IP Address	Subnet Mask	Current Draw (A)
Uplink ID: 01 Switch Section: 5 Switch Location: Unit 05A Catalog Number: 1783-BMS10CL IP Address: 192.168.1.1 Subnet Mask: 255.255.255.0 Current Draw (A) 1.00		1					55T	SG05A-L01-EH-02E-01-3.5-A	3.5	02E	PM5000	192.168.1.28	255.255.255.0	0.00
		2					55T	SG05A-L02-EH-02E-02-4.0-S	4.0	02E	PM5000	192.168.1.29	255.255.255.0	0.00
		3					35T	SG05A-L03-EH-03A-01-2.0-S	2.0	03A	E300	192.168.1.14	255.255.255.0	0.00
		4					35T	SG05A-L04-EH-03C-01-3.0-S	3.0	03C	PowerFlex753	192.168.1.23	255.255.255.0	0.00
		5					35T	SG05A-L05-EH-03H-01-4.0-S	4.0	03H	PowerFlex753	192.168.1.22	255.255.255.0	0.00
		6					15T	SG05A-L06-EH-04A-01-1.3-S	1.3	04A	E300	192.168.1.6	255.255.255.0	0.00
		7					15T	SG05A-L07-EH-04C-01-1.6-S	1.6	04C	E300	192.168.1.4	255.255.255.0	0.00
		8					15T	SG05A-L08-EH-04H-01-3.5-S	3.5	04H	PowerFlex753	192.168.1.24	255.255.255.0	0.00
		9									Customer Uplink			
		10					---		SG05A-L10-SG05A-R19-0.3-S	0.3	05A	SW to SW	See Switch Info	See Switch Info
Uplink ID: 01 Switch Section: 5 Switch Location: Unit 05A Catalog Number: 1783-BMS20CL IP Address: 192.168.1.2 Subnet Mask: 255.255.255.0 Current Draw (A) 1.00		1					27T	SG05A-R01-EH-05E-01-2.5-S	2.5	05E	E300	192.168.1.8	255.255.255.0	0.00
		2					27T	SG05A-R02-EH-05G-01-3.0-S	3.0	05G	E300	192.168.1.32	255.255.255.0	0.00
		3					27T	SG05A-R03-EH-06A-01-2.5-A	2.5	06A	SMC-Flex	192.168.1.18	255.255.255.0	0.00
		4					67T	SG05A-R04-EH-07A-01-2.5-S	2.5	07A	E300	192.168.1.11	255.255.255.0	0.00
		5					67T	SG05A-R05-EH-07C-01-3.0-S	3.0	07C	E300	192.168.1.10	255.255.255.0	0.00
		6					67T	SG05A-R06-EH-07E-01-3.5-S	3.5	07E	E300	192.168.1.13	255.255.255.0	0.00
		7					67T	SG05A-R07-EH-07H-01-4.5-S	4.5	07H	PowerFlex753	192.168.1.19	255.255.255.0	0.00
		8												
		9												
		10												
	11													
	12													
	13													
	14													
	15													
	16													
	17													
	18													
	19													
	20													
	21													
	22													
	23													
	24													
	25													
	26													
	27													
	28													
	29													
	30													
	31													
	32													
	33													
	34													
	35													
	36													
	37													
	38													
	39													
	40													
	41													


- (1) This column group details an Ethernet cable that connects a switch port to a vertical wireway adapter. If this column group is blank, the switch port connects directly to the device utilizing the cable called out in the "Device Ethernet Cable" section.
- (2) For Rockwell Automation Manufacturing Purposes Only
- (3) Some Stratix 5700 Ethernet switch ports leverage gigabit Ethernet connections and are shown on the MCC network table and network diagram with a "G" located before the switch port number. Consult the Stratix 5700 Technical Data (publication 1783-TD001) for more information on the physical Stratix 5700 port representations.

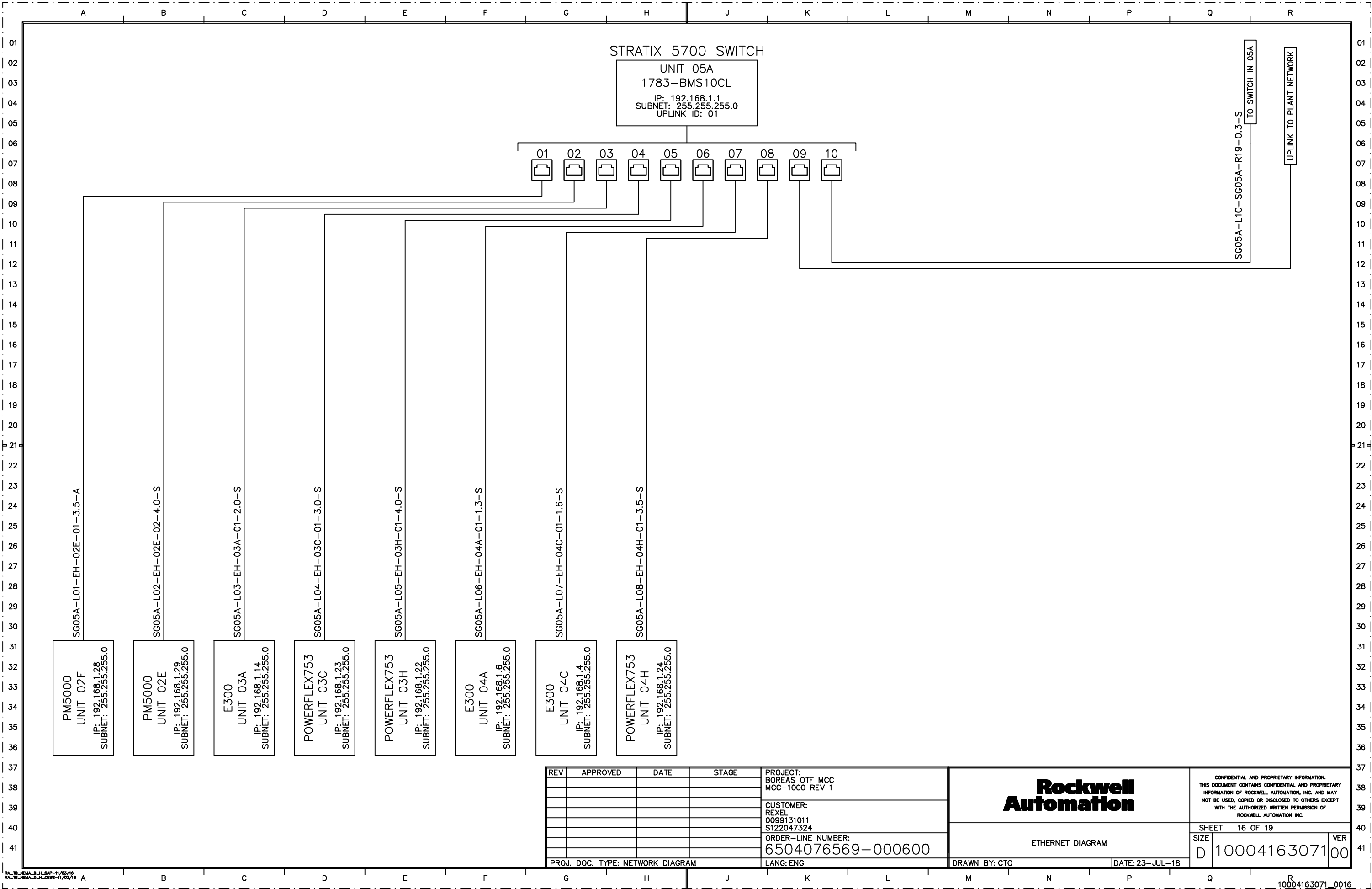
REV	APPROVED	DATE	STAGE	PROJECT:
				BOREAS OTF MCC
				MCC-1000 REV 1
				CUSTOMER:
				REXEL
				0099131011
				S122047324
				ORDER-LINE NUMBER:
				6504076569-000600
				LANG: ENG

		<small>CONFIDENTIAL AND PROPRIETARY INFORMATION. THIS DOCUMENT CONTAINS CONFIDENTIAL AND PROPRIETARY INFORMATION OF ROCKWELL AUTOMATION, INC. AND MAY NOT BE USED, COPIED OR DISCLOSED TO OTHERS EXCEPT WITH THE AUTHORIZED WRITTEN PERMISSION OF ROCKWELL AUTOMATION INC.</small>	
		SHEET 14 OF 19	VER 00
NETWORK TABLE		SIZE D	10004163071
PROJ. DOC. TYPE: NETWORK TABLE		DRAWN BY: CTO	DATE: 23-JUL-18

Ethernet Switch		Switch-to-Adapter Ethernet Cable (1)				Manufacturing Code (2)	Device Ethernet Cable		Device					
Switch Data	Port (3)	Adapter Section Loc.	Adapter Port Loc.	Label	Length (m)		Label	Length (m)	Unit Loc.	Type	IP Address	Subnet Mask	Current Draw (A)	
Uplink ID: 01 Switch Section: 11 Switch Location: Unit 11A Catalog Number: 1783-BMS20CL IP Address: 192.168.1.31 Subnet Mask: 255.255.255.0 Current Draw (A) 1.00	1					22T	SG11A-R01-EH-11C-01-2.5-A	2.5	11C	SMC-Flex	192.168.1.17	255.255.255.0	0.00	
	2					42T	SG11A-R02-EH-12A-01-2.0-S	2.0	12A	E300	192.168.1.7	255.255.255.0	0.00	
	3					42T	SG11A-R03-EH-12C-01-3.0-A	3.0	12C	SMC-Flex	192.168.1.16	255.255.255.0	0.00	
	4					62T	SG11A-R04-EH-13A-01-3.5-S	3.5	13A	PowerFlex753	192.168.1.25	255.255.255.0	0.00	
	5					62T	SG11A-R05-EH-13G-01-4.5-S	4.5	13G	PowerFlex753	192.168.1.26	255.255.255.0	0.00	
	6													
	7													
	8													
	9													
	10													
	11													
	12													
	13													
	14													
	15													
	16													
	17													
	18						---	SG11A-L10-SG11A-R19-0.3-S	0.3	11A	SW to SW	See Switch Info	See Switch Info	---
	19													

- (1) This column group details an Ethernet cable that connects a switch port to a vertical wireway adapter. If this column group is blank, the switch port connects directly to the device utilizing the cable called out in the "Device Ethernet Cable" section.
- (2) For Rockwell Automation Manufacturing Purposes Only
- (3) Some Stratix 5700 Ethernet switch ports leverage gigabit Ethernet connections and are shown on the MCC network table and network diagram with a "G" located before the switch port number. Consult the Stratix 5700 Technical Data (publication 1783-TD001) for more information on the physical Stratix 5700 port representations.

REV	APPROVED	DATE	STAGE	PROJECT: BOREAS OTF MCC MCC-1000 REV 1		<small>CONFIDENTIAL AND PROPRIETARY INFORMATION. THIS DOCUMENT CONTAINS CONFIDENTIAL AND PROPRIETARY INFORMATION OF ROCKWELL AUTOMATION, INC. AND MAY NOT BE USED, COPIED OR DISCLOSED TO OTHERS EXCEPT WITH THE AUTHORIZED WRITTEN PERMISSION OF ROCKWELL AUTOMATION INC.</small>
				CUSTOMER: REXEL 0099131011 S122047324		
				ORDER-LINE NUMBER: 6504076569-000600		
PROJ. DOC. TYPE: NETWORK TABLE				LANG: ENG	DRAWN BY: CTO	DATE: 23-JUL-18
					NETWORK TABLE	SHEET 15 OF 19 SIZE D 10004163071 VER 00



REV	APPROVED	DATE	STAGE

PROJECT:
BOREAS OTF MCC
MCC-1000 REV 1

CUSTOMER:
REXEL
0099131011
S122047324

ORDER-LINE NUMBER:
6504076569-000600

LANG: ENG

Rockwell Automation

ETHERNET DIAGRAM

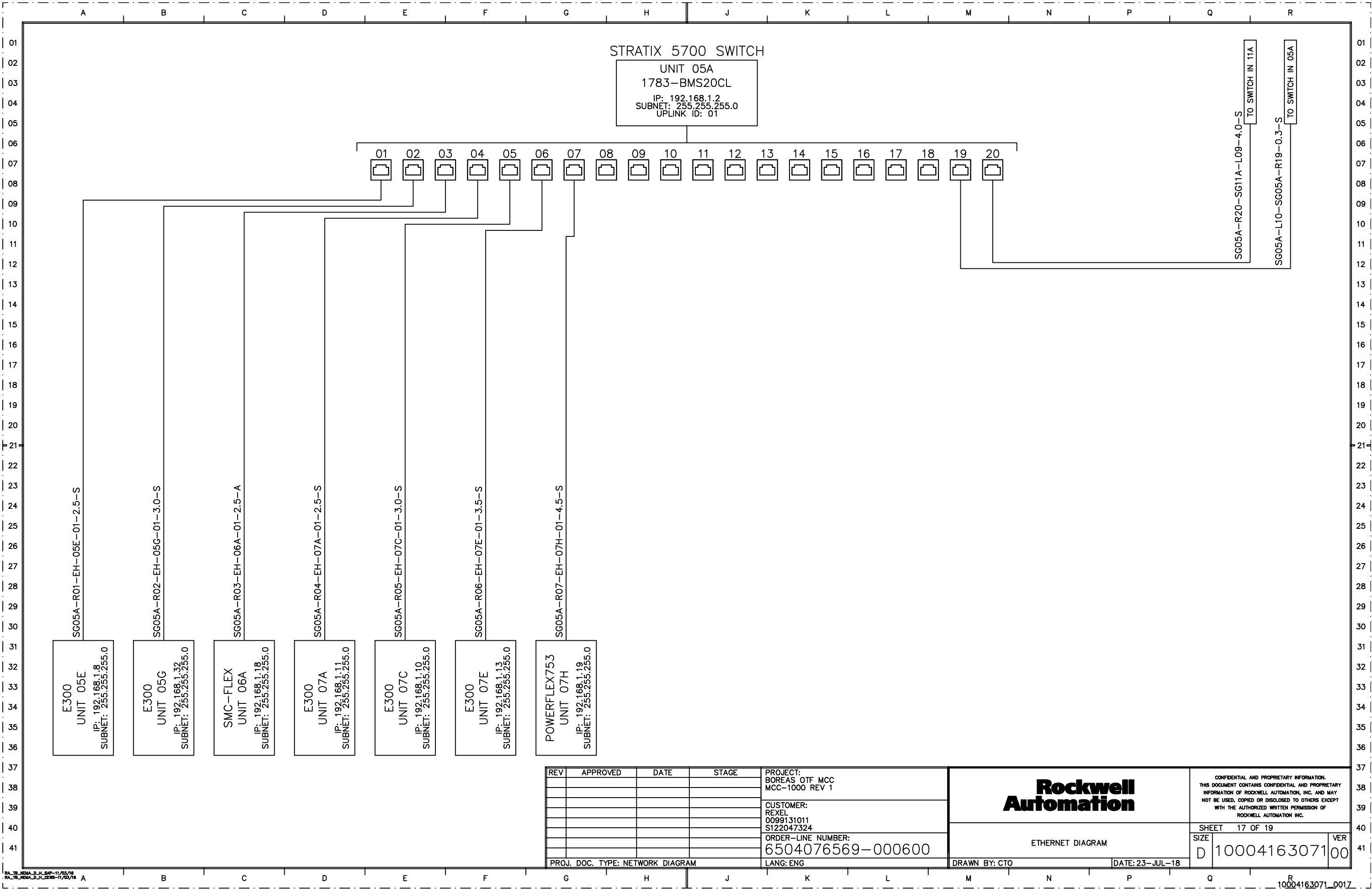
DRAWN BY: CTO

DATE: 23-JUL-18

CONFIDENTIAL AND PROPRIETARY INFORMATION.
THIS DOCUMENT CONTAINS CONFIDENTIAL AND PROPRIETARY INFORMATION OF ROCKWELL AUTOMATION, INC. AND MAY NOT BE USED, COPIED OR DISCLOSED TO OTHERS EXCEPT WITH THE AUTHORIZED WRITTEN PERMISSION OF ROCKWELL AUTOMATION INC.

SHEET 16 OF 19

SIZE D 10004163071 VER 00




REV	APPROVED	DATE	STAGE

PROJECT: BOREAS OTF MCC
MCC-1000 REV 1

CUSTOMER: REXEL
0099131011
S122047324

ORDER-LINE NUMBER:
6504076569-000600

LANG: ENG



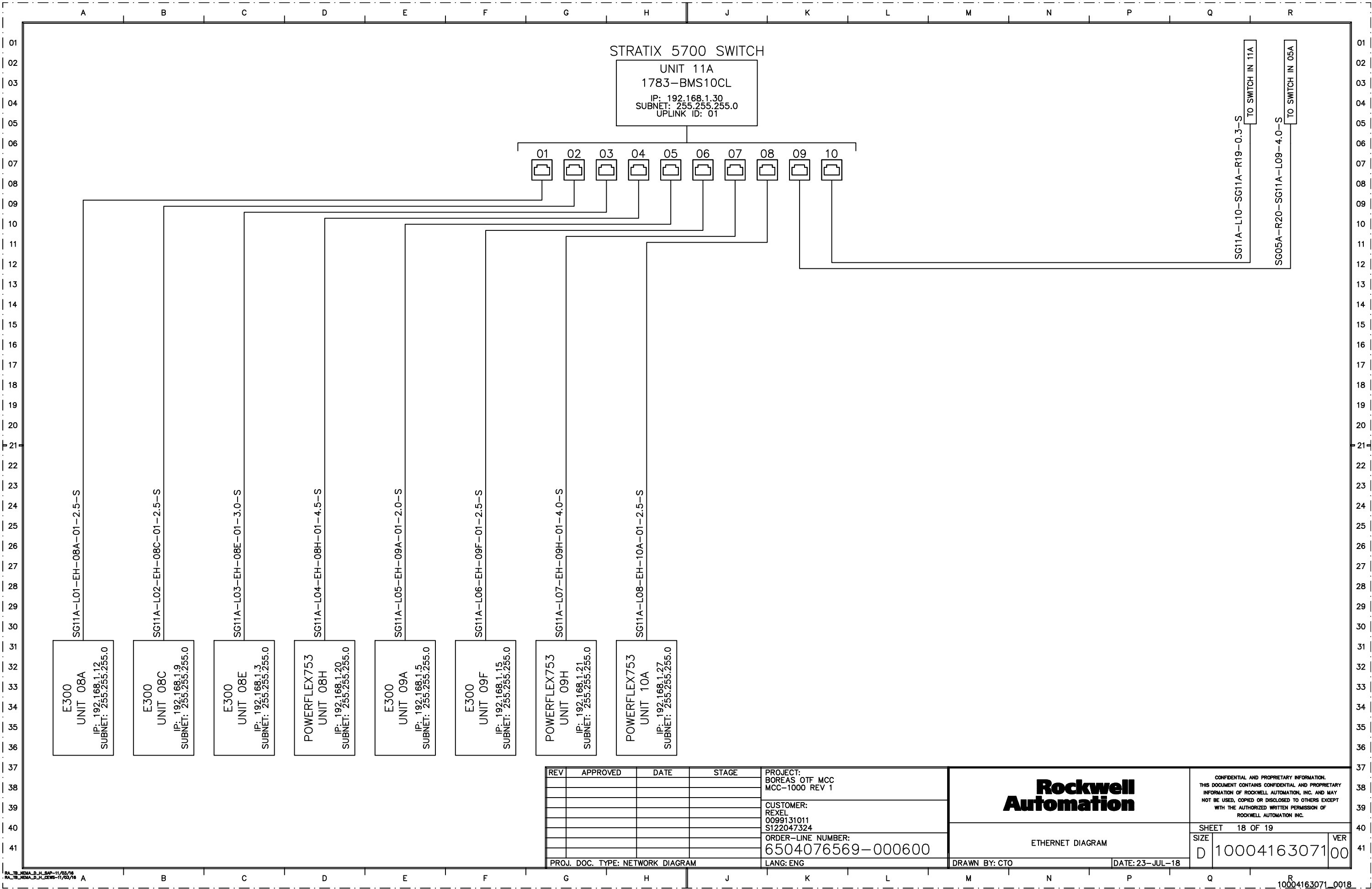
CONFIDENTIAL AND PROPRIETARY INFORMATION.
THIS DOCUMENT CONTAINS CONFIDENTIAL AND PROPRIETARY INFORMATION OF ROCKWELL AUTOMATION, INC. AND MAY NOT BE USED, COPIED OR DISCLOSED TO OTHERS EXCEPT WITH THE AUTHORIZED WRITTEN PERMISSION OF ROCKWELL AUTOMATION INC.

ETHERNET DIAGRAM

SHEET 17 OF 19

SIZE: D 10004163071 VER: 00

DRAWN BY: CTO DATE: 23-JUL-18



STRATIX 5700 SWITCH

UNIT 11A
 1783-BMS10CL
 IP: 192.168.1.30
 SUBNET: 255.255.255.0
 UPLINK ID: 01

- 01
- 02
- 03
- 04
- 05
- 06
- 07
- 08
- 09
- 10

TO SWITCH IN 11A
 SG11A-L10-SG11A-R19-0.3-S

TO SWITCH IN 05A
 SG05A-R20-SG11A-L09-4.0-S

E300
 UNIT 08A
 IP: 192.168.1.12
 SUBNET: 255.255.255.0

E300
 UNIT 08C
 IP: 192.168.1.9
 SUBNET: 255.255.255.0

E300
 UNIT 08E
 IP: 192.168.1.3
 SUBNET: 255.255.255.0

POWERFLEX753
 UNIT 08H
 IP: 192.168.1.20
 SUBNET: 255.255.255.0

E300
 UNIT 09A
 IP: 192.168.1.5
 SUBNET: 255.255.255.0

E300
 UNIT 09F
 IP: 192.168.1.15
 SUBNET: 255.255.255.0

POWERFLEX753
 UNIT 09H
 IP: 192.168.1.21
 SUBNET: 255.255.255.0

POWERFLEX753
 UNIT 10A
 IP: 192.168.1.27
 SUBNET: 255.255.255.0

REV	APPROVED	DATE	STAGE

PROJECT:
 BOREAS OTF MCC
 MCC-1000 REV 1

CUSTOMER:
 REXEL
 0099131011
 S122047324

ORDER-LINE NUMBER:
 6504076569-000600

LANG: ENG

Rockwell Automation

ETHERNET DIAGRAM

DRAWN BY: CTO

DATE: 23-JUL-18

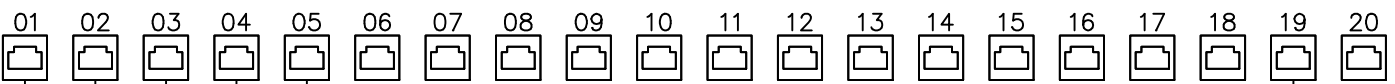
CONFIDENTIAL AND PROPRIETARY INFORMATION.
 THIS DOCUMENT CONTAINS CONFIDENTIAL AND PROPRIETARY INFORMATION OF ROCKWELL AUTOMATION, INC. AND MAY NOT BE USED, COPIED OR DISCLOSED TO OTHERS EXCEPT WITH THE AUTHORIZED WRITTEN PERMISSION OF ROCKWELL AUTOMATION INC.

SHEET 18 OF 19

SIZE D 10004163071 VER 00

STRATIX 5700 SWITCH

UNIT 11A
 1783-BMS20CL
 IP: 192.168.1.31
 SUBNET: 255.255.255.0
 UPLINK ID: 01



TO SWITCH IN 11A
 SG11A-L10-SG11A-R19-0.3-S

SG11A-R01-EH-11C-01-2.5-A

SMC-FLEX
 UNIT 11C
 IP: 192.168.1.17
 SUBNET: 255.255.255.0

SG11A-R02-EH-12A-01-2.0-S

E300
 UNIT 12A
 IP: 192.168.1.7
 SUBNET: 255.255.255.0

SG11A-R03-EH-12C-01-3.0-A

SMC-FLEX
 UNIT 12C
 IP: 192.168.1.16
 SUBNET: 255.255.255.0

SG11A-R04-EH-13A-01-3.5-S

POWERFLEX753
 UNIT 13A
 IP: 192.168.1.25
 SUBNET: 255.255.255.0

SG11A-R05-EH-13G-01-4.5-S

POWERFLEX753
 UNIT 13G
 IP: 192.168.1.26
 SUBNET: 255.255.255.0

REV	APPROVED	DATE	STAGE	PROJECT:
				BOREAS OTF MCC
				MCC-1000 REV 1
				CUSTOMER:
				REXEL
				0099131011
				S122047324
				ORDER-LINE NUMBER:
				6504076569-000600
				LANG: ENG

Rockwell Automation		CONFIDENTIAL AND PROPRIETARY INFORMATION. THIS DOCUMENT CONTAINS CONFIDENTIAL AND PROPRIETARY INFORMATION OF ROCKWELL AUTOMATION, INC. AND MAY NOT BE USED, COPIED OR DISCLOSED TO OTHERS EXCEPT WITH THE AUTHORIZED WRITTEN PERMISSION OF ROCKWELL AUTOMATION INC.	
		ETHERNET DIAGRAM	
		SHEET 19 OF 19	VER
SIZE	D 10004163071		00
PROJ. DOC. TYPE: NETWORK DIAGRAM		DRAWN BY: CTO	DATE: 23-JUL-18

Firmware

Rockwell Automation Order Number:

6504076569

Date:

4/18/2024

FIRMWARE REFERENCE TABLE

Order Number: 6504076569-000600
 Reference Number: 05184257-0006
 Equipment Name: MCC2100-PEII
 Business Unit: LVMCC_2100

Customer: Rexel
 Project Name: BOREAS OTF MCC
 PO Number: S122047324
 Date: 07/23/2018

Location	Device Type	Firmware Version	EDS Version
02E	PowerMonitor 5000	4.010	1.65
03A,04C,04A,05E,05G,07C,07A,07E,08E,08C,08A,09A,09F,12A	E300 Overload Relay	6.116	6.2
03H,03C,04H,07H,08H,10A,09H,13A,13G	PowerFlex 753	13.003	1.1
05A,11A	1783-BMS10CL Stratix 5700	9.001	1.4
05A,11A	1783-BMS20CL Stratix 5700	9.001	1.7
06A,11C,12C	SMC-Flex	6.008	1.1

Schematics

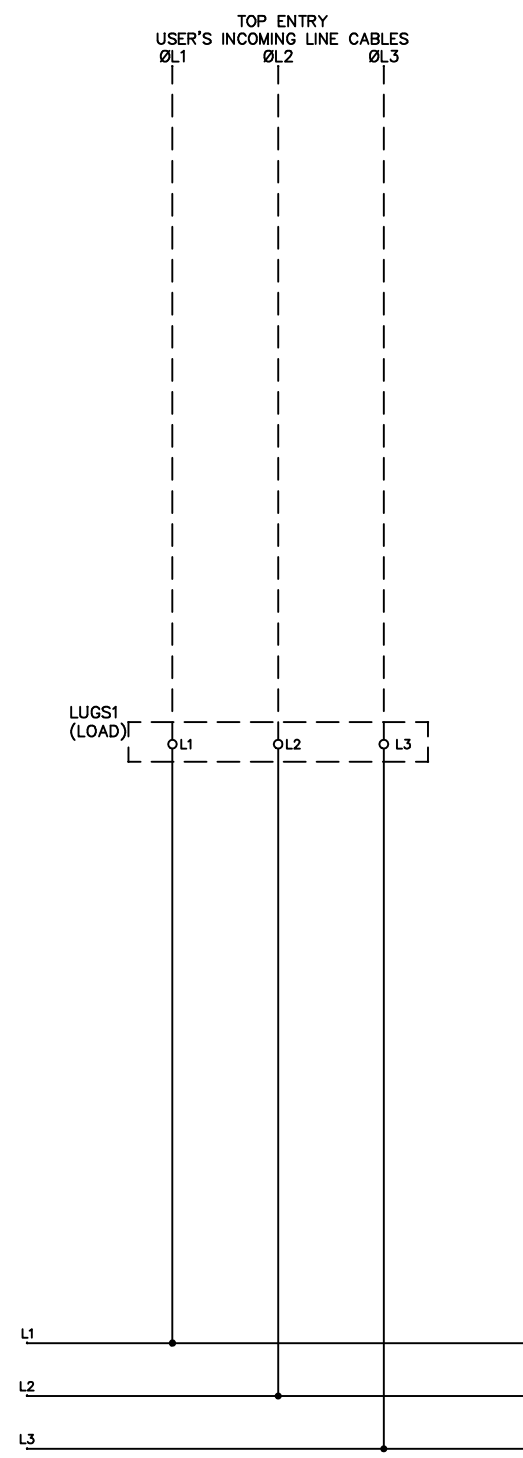
Rockwell Automation Order Number:

6504076569

Date:

4/18/2024

01 NOTES
 02
 03
 04
 05
 06
 07
 08
 09
 10
 11
 12
 13
 14
 15
 16
 17
 18
 19
 20
 21



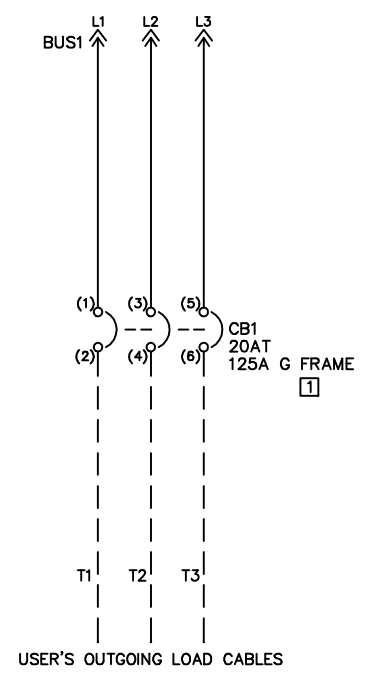
TORQUE ALL FIELD CONNECTIONS TO THE VALUE SPECIFIED IN THE CUSTOMER WIRING TORQUE SPECIFICATION TABLE. ALL FACTORY WIRED CONNECTIONS HAVE BEEN PROPERLY TORQUED AND NEED NOT BE CHECKED. REFER TO 40110-920 FOR FACTORY WIRING TORQUE SPECS

CUSTOMER WIRING TORQUE SPECS (±10%)	
1/2" Lug Attach Bolts w/ Lugs	540 lb-in (61 Nm)
#6-50 kcmil Mechanical Lug	375 lb-in (42 Nm)
#2-600 kcmil Mechanical Lug	500 lb-in (56 Nm)
350-800 kcmil Mechanical Lug	600 lb-in (67 Nm)

REV	APPROVED	DATE	STAGE	PROJECT:
				CUSTOMER:
				ORDER-LINE NUMBER:
PROJ. DOC. TYPE: ELECTRICAL SCHEMATIC				LANG: ENG

		<small>CONFIDENTIAL AND PROPRIETARY INFORMATION. THIS DOCUMENT CONTAINS CONFIDENTIAL AND PROPRIETARY INFORMATION OF ROCKWELL AUTOMATION, INC. AND MAY NOT BE USED, COPIED OR DISCLOSED TO OTHERS EXCEPT WITH THE AUTHORIZED WRITTEN PERMISSION OF ROCKWELL AUTOMATION INC.</small>	
		SHEET 1 OF 1	VER 00
2191M INCOMING LUG		SIZE D	10003684605
DRAWN BY: CTO		DATE: 23-JUL-18	

01 NOTES
 02 1. UNIT SHORT CIRCUIT CURRENT RATING
 03 CAN BE FOUND ON THE ONE-LINE
 04 (WHERE APPLICABLE) OR ON THE UNIT
 05 NAMEPLATE.
 06
 07
 08
 09
 10
 11
 12
 13
 14
 15
 16
 17
 18
 19
 20
 21



36 TORQUE ALL FIELD CONNECTIONS TO THE VALUE SPECIFIED IN THE CUSTOMER
 37 WIRING TORQUE SPECIFICATION TABLE. ALL FACTORY WIRED CONNECTIONS HAVE
 38 BEEN PROPERLY TORQUED AND NEED NOT BE CHECKED.
 39 REFER TO 40110-920 FOR FACTORY WIRING TORQUE SPECS

CUSTOMER WIRING TORQUE SPECS (±10%)	
Load Cable Connections	62 lb-in(7 Nm)
H-Frame Lug Pad Assy (2193FZ only)	90 lb-in(10 Nm)
C.B. Internal Device TB and External Auxiliary Contacts	7 lb-in(0.8 Nm)
22.5 mm DSA	5 lb-in(0.6 Nm)

REV	APPROVED	DATE	STAGE	PROJECT:
				CUSTOMER:
				ORDER-LINE NUMBER:

Rockwell Automation

2193F 125 AF FEEDER CB

DRAWN BY: CTO DATE: 23-JUL-18

CONFIDENTIAL AND PROPRIETARY INFORMATION.
 THIS DOCUMENT CONTAINS CONFIDENTIAL AND PROPRIETARY
 INFORMATION OF ROCKWELL AUTOMATION, INC. AND MAY
 NOT BE USED, COPIED OR DISCLOSED TO OTHERS EXCEPT
 WITH THE AUTHORIZED WRITTEN PERMISSION OF
 ROCKWELL AUTOMATION INC.

SHEET 1 OF 1
 SIZE D 10003993578 VER 00

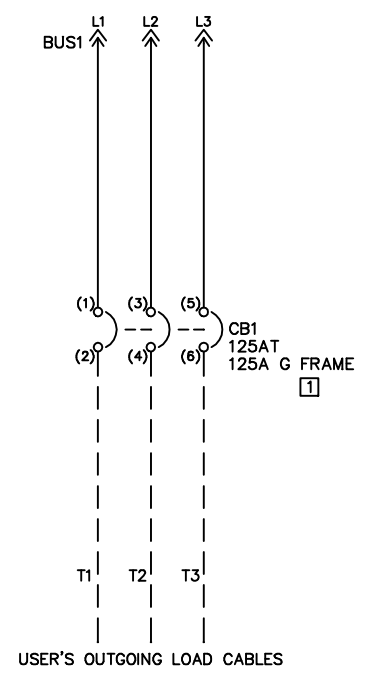
01 NOTES

02 1. UNIT SHORT CIRCUIT CURRENT RATING

03 CAN BE FOUND ON THE ONE-LINE

04 (WHERE APPLICABLE) OR ON THE UNIT

05 NAMEPLATE.



TORQUE ALL FIELD CONNECTIONS TO THE VALUE SPECIFIED IN THE CUSTOMER WIRING TORQUE SPECIFICATION TABLE. ALL FACTORY WIRED CONNECTIONS HAVE BEEN PROPERLY TORQUED AND NEED NOT BE CHECKED. REFER TO 40110-920 FOR FACTORY WIRING TORQUE SPECS

CUSTOMER WIRING TORQUE SPECS (±10%)	
Load Cable Connections	62 lb-in(7 Nm)
H-Frame Lug Pad Assy (2193FZ only)	90 lb-in(10 Nm)
C.B. Internal Device TB and External Auxiliary Contacts	7 lb-in(0.8 Nm)
22.5 mm DSA	5 lb-in(0.6 Nm)

REV	APPROVED	DATE	STAGE	PROJECT:
				CUSTOMER:
				ORDER-LINE NUMBER:

Rockwell Automation

2193F 125 AF FEEDER CB

DATE: 23-JUL-18

CONFIDENTIAL AND PROPRIETARY INFORMATION. THIS DOCUMENT CONTAINS CONFIDENTIAL AND PROPRIETARY INFORMATION OF ROCKWELL AUTOMATION, INC. AND MAY NOT BE USED, COPIED OR DISCLOSED TO OTHERS EXCEPT WITH THE AUTHORIZED WRITTEN PERMISSION OF ROCKWELL AUTOMATION INC.

SHEET 1 OF 1

SIZE D 10004001743 VER 00

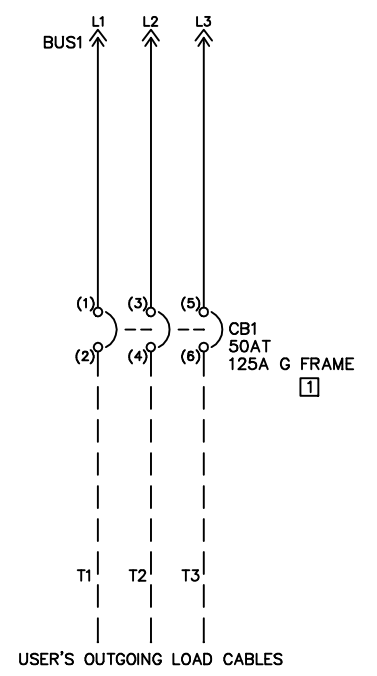
01 NOTES

02 1. UNIT SHORT CIRCUIT CURRENT RATING

03 CAN BE FOUND ON THE ONE-LINE

04 (WHERE APPLICABLE) OR ON THE UNIT

05 NAMEPLATE.



TORQUE ALL FIELD CONNECTIONS TO THE VALUE SPECIFIED IN THE CUSTOMER WIRING TORQUE SPECIFICATION TABLE. ALL FACTORY WIRED CONNECTIONS HAVE BEEN PROPERLY TORQUED AND NEED NOT BE CHECKED. REFER TO 40110-920 FOR FACTORY WIRING TORQUE SPECS

CUSTOMER WIRING TORQUE SPECS (±10%)	
Load Cable Connections	62 lb-in(7 Nm)
H-Frame Lug Pad Assy (2193FZ only)	90 lb-in(10 Nm)
C.B. Internal Device TB and External Auxiliary Contacts	7 lb-in(0.8 Nm)
22.5 mm DSA	5 lb-in(0.6 Nm)

REV	APPROVED	DATE	STAGE	PROJECT:
				CUSTOMER:
				ORDER-LINE NUMBER:

Rockwell Automation

2193F 125 AF FEEDER CB

DRAWN BY: CTO DATE: 23-JUL-18

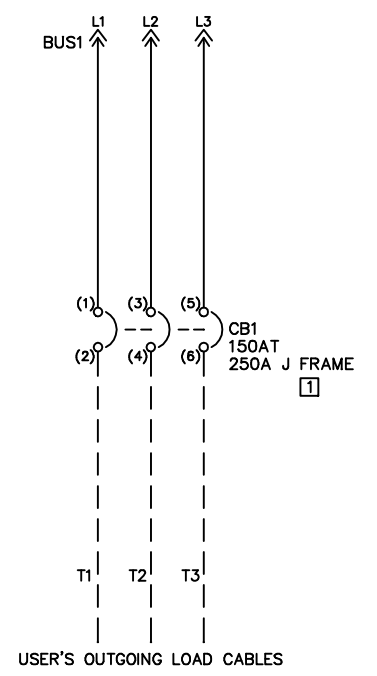
CONFIDENTIAL AND PROPRIETARY INFORMATION. THIS DOCUMENT CONTAINS CONFIDENTIAL AND PROPRIETARY INFORMATION OF ROCKWELL AUTOMATION, INC. AND MAY NOT BE USED, COPIED OR DISCLOSED TO OTHERS EXCEPT WITH THE AUTHORIZED WRITTEN PERMISSION OF ROCKWELL AUTOMATION INC.

SHEET 1 OF 1

SIZE D 10004002173 VER 00

NOTES

1. UNIT SHORT CIRCUIT CURRENT RATING CAN BE FOUND ON THE ONE-LINE (WHERE APPLICABLE) OR ON THE UNIT NAMEPLATE.



TORQUE ALL FIELD CONNECTIONS TO THE VALUE SPECIFIED IN THE CUSTOMER WIRING TORQUE SPECIFICATION TABLE. ALL FACTORY WIRED CONNECTIONS HAVE BEEN PROPERLY TORQUED AND NEED NOT BE CHECKED. REFER TO 40110-920 FOR FACTORY WIRING TORQUE SPECS

CUSTOMER WIRING TORQUE SPECS (±10%)		
Load Cable Connections:		
#10-350 kcmil CU	124 lb-in(14 Nm)	
#14-1/0 CU/AL	50 lb-in(5.6 Nm)	
#14-350 kcmil CU/AL	89 lb-in(10 Nm)	
J-Frame Lug Pad Assy Cu 6-25	250 lb-in(28.2 Nm)	
C.B. Internal Device TB and External Auxiliary Contacts	7 lb-in(0.8 Nm)	
22.5 mm DSA	5 lb-in(0.6 Nm)	

REV	APPROVED	DATE	STAGE	PROJECT:
				CUSTOMER:
				ORDER-LINE NUMBER:

Rockwell Automation

2193F 250 AF FEEDER CB

CONFIDENTIAL AND PROPRIETARY INFORMATION. THIS DOCUMENT CONTAINS CONFIDENTIAL AND PROPRIETARY INFORMATION OF ROCKWELL AUTOMATION, INC. AND MAY NOT BE USED, COPIED OR DISCLOSED TO OTHERS EXCEPT WITH THE AUTHORIZED WRITTEN PERMISSION OF ROCKWELL AUTOMATION INC.		
SHEET	1 OF 1	
SIZE	D	10004015367
VER	00	

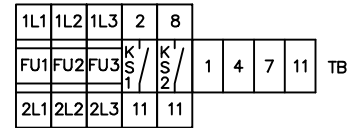
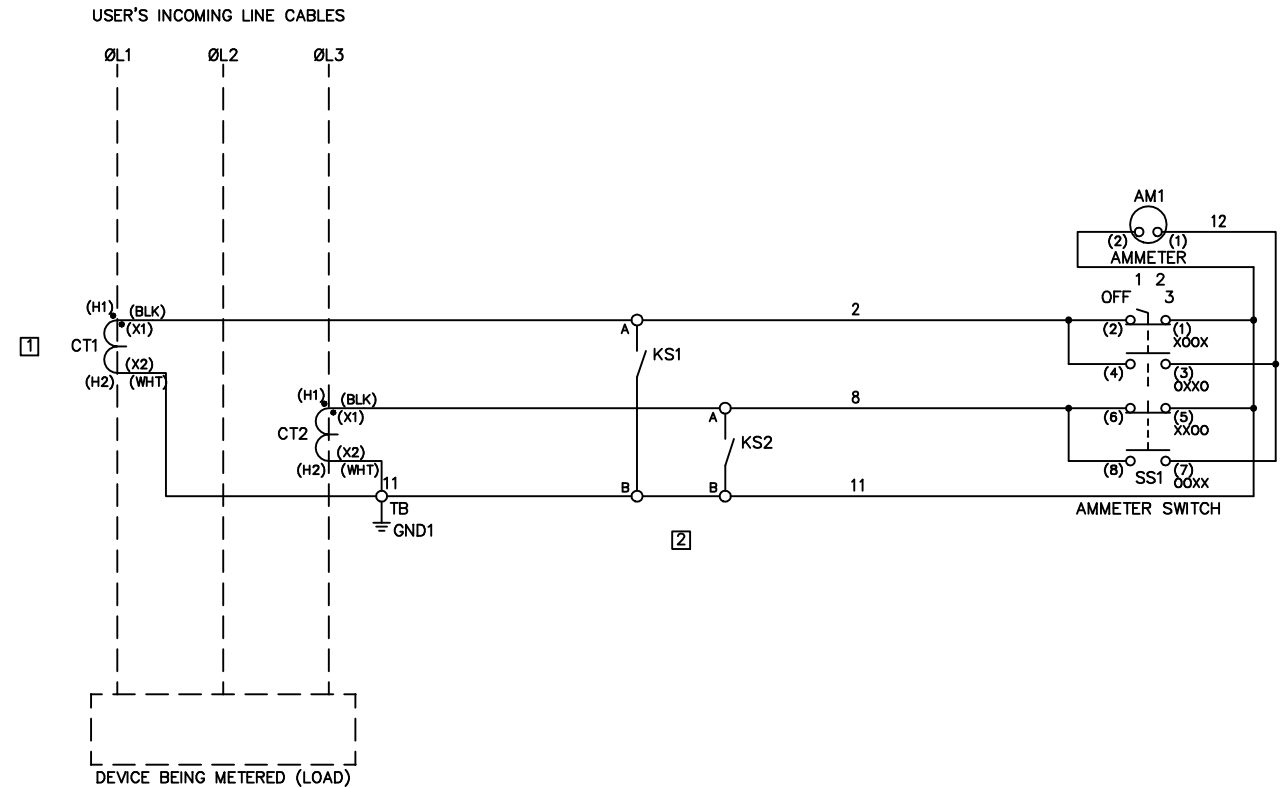
PROJ. DOC. TYPE: ELECTRICAL SCHEMATIC LANG: ENG DRAWN BY: CTO DATE: 23-JUL-18

NOTES

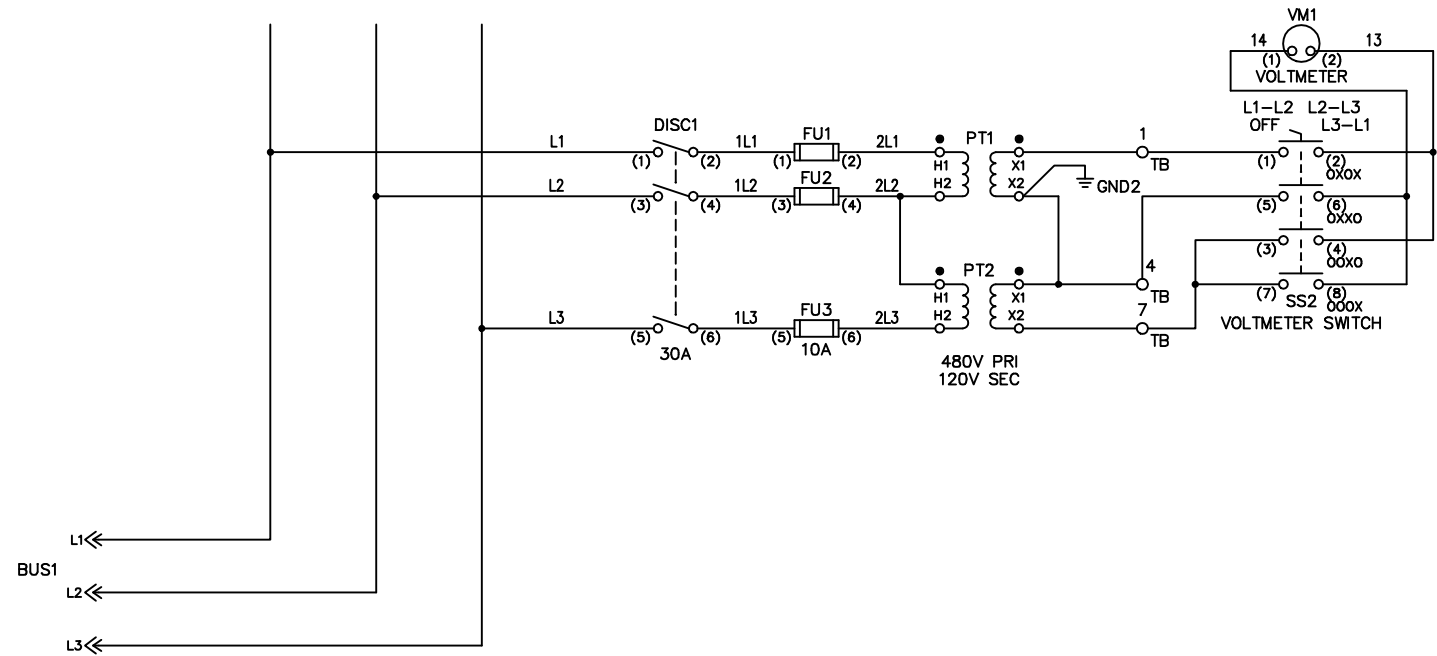
- AMPS NAMEPLATE RATIO
 - AMPS EFFECTIVE RATIO WITH PRIMARY TURNS
 - SECONDARY TURNS

BE SURE TO CONNECT PER POLARITY MARKINGS. SECONDARY CONNECTIONS OF CURRENT TRANSFORMER MUST BE CONNECTED TO A LOAD OR SHORTED TOGETHER AND GROUNDED TO AVOID A HIGH VOLTAGE ACROSS SECONDARY LEADS.

CUSTOMER IS TO MOUNT AND WIRE CURRENT TRANSFORMERS.
- CT SHORTING TERMINAL BLOCKS ARE SHIPPED IN THE "CLOSED" POSITION. FOR PROPER OPERATION, THE SHORTING TERMINAL BLOCKS MUST BE IN THE "OPEN" (AS SHOWN) POSITION.



TERMINAL LAYOUT



TORQUE ALL FIELD CONNECTIONS TO THE VALUE SPECIFIED IN THE CUSTOMER WIRING TORQUE SPECIFICATION TABLE. ALL FACTORY WIRED CONNECTIONS HAVE BEEN PROPERLY TORQUED AND NEED NOT BE CHECKED. REFER TO 40110-920 FOR FACTORY WIRING TORQUE SPECS

CUSTOMER WIRING TORQUE SPECS (±10%)	
CE9 Terminal Blocks	7 lb-in(0.8 Nm)
CA1 Terminal Blocks	12 lb-in(1.3 Nm)

REV	APPROVED	DATE	STAGE	PROJECT:
				CUSTOMER:
				ORDER-LINE NUMBER:

2190 METERING UNIT

CONFIDENTIAL AND PROPRIETARY INFORMATION. THIS DOCUMENT CONTAINS CONFIDENTIAL AND PROPRIETARY INFORMATION OF ROCKWELL AUTOMATION, INC. AND MAY NOT BE USED, COPIED OR DISCLOSED TO OTHERS EXCEPT WITH THE AUTHORIZED WRITTEN PERMISSION OF ROCKWELL AUTOMATION INC.

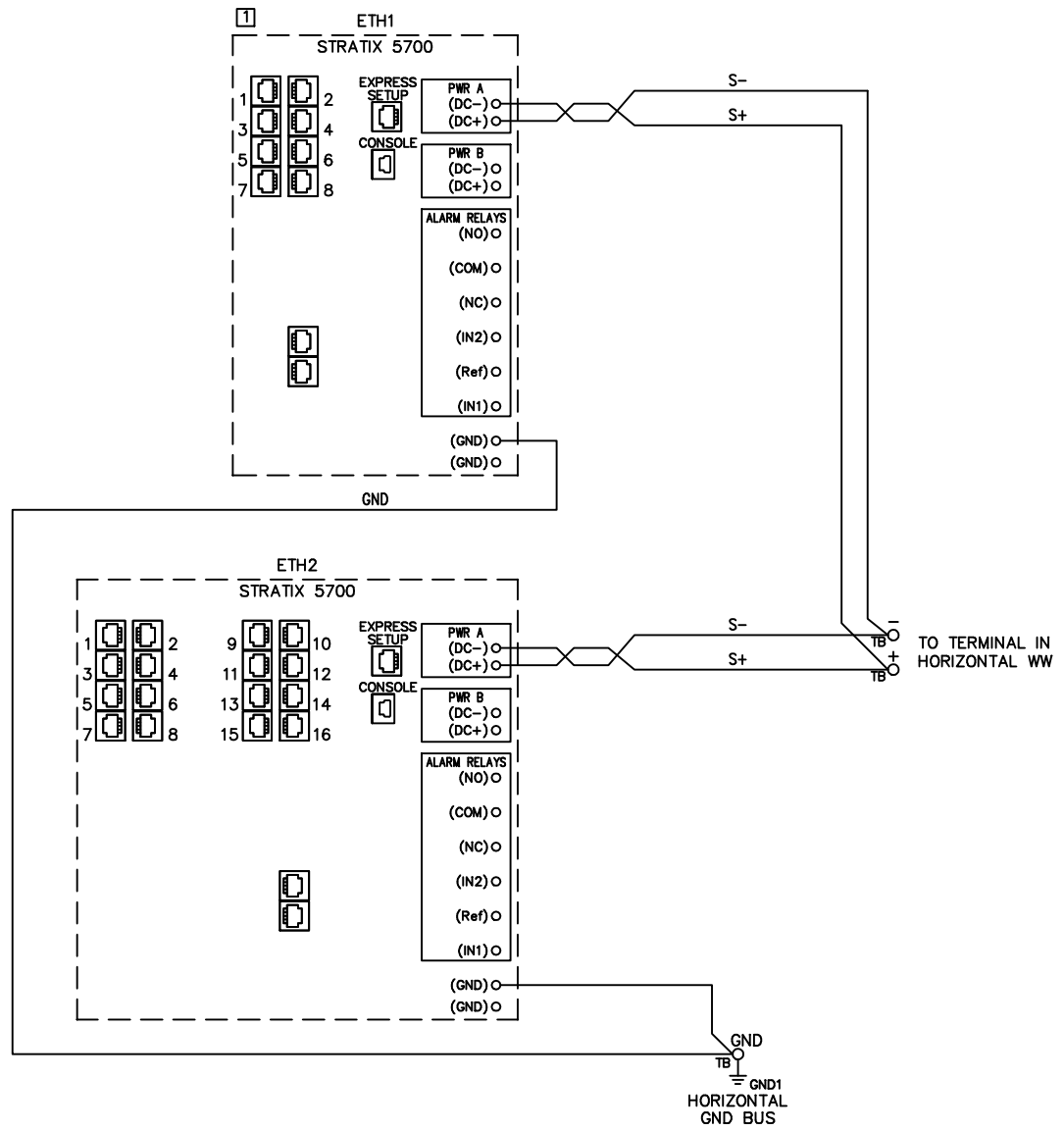
SHEET 1 OF 1

SIZE D 10004143418 00

DATE: 23-JUL-18

NOTES

1. FOR SWITCH CONNECTION INFORMATION, SEE 1-LINE NETWORK TABLE.



TERMINAL LAYOUT

TORQUE ALL FIELD CONNECTIONS TO THE VALUE SPECIFIED IN THE CUSTOMER WIRING TORQUE SPECIFICATION TABLE. ALL FACTORY WIRED CONNECTIONS HAVE BEEN PROPERLY TORQUED AND NEED NOT BE CHECKED. REFER TO 40110-920 FOR FACTORY WIRING TORQUE SPECS

CUSTOMER WIRING TORQUE SPECS (±10%)	
1492-JG4Q (Green/Yellow) Terminal Block	6.2 lb-in(0.7 Nm)
1492-J2Q (White and Blue) Terminal Blocks	4.5 lb-in(0.5 Nm)

REV	APPROVED	DATE	STAGE	PROJECT:
				CUSTOMER:
				ORDER-LINE NUMBER:

Rockwell Automation

2100-ESW ETHERNET SWITCH

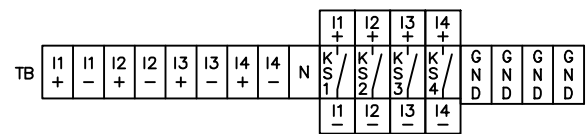
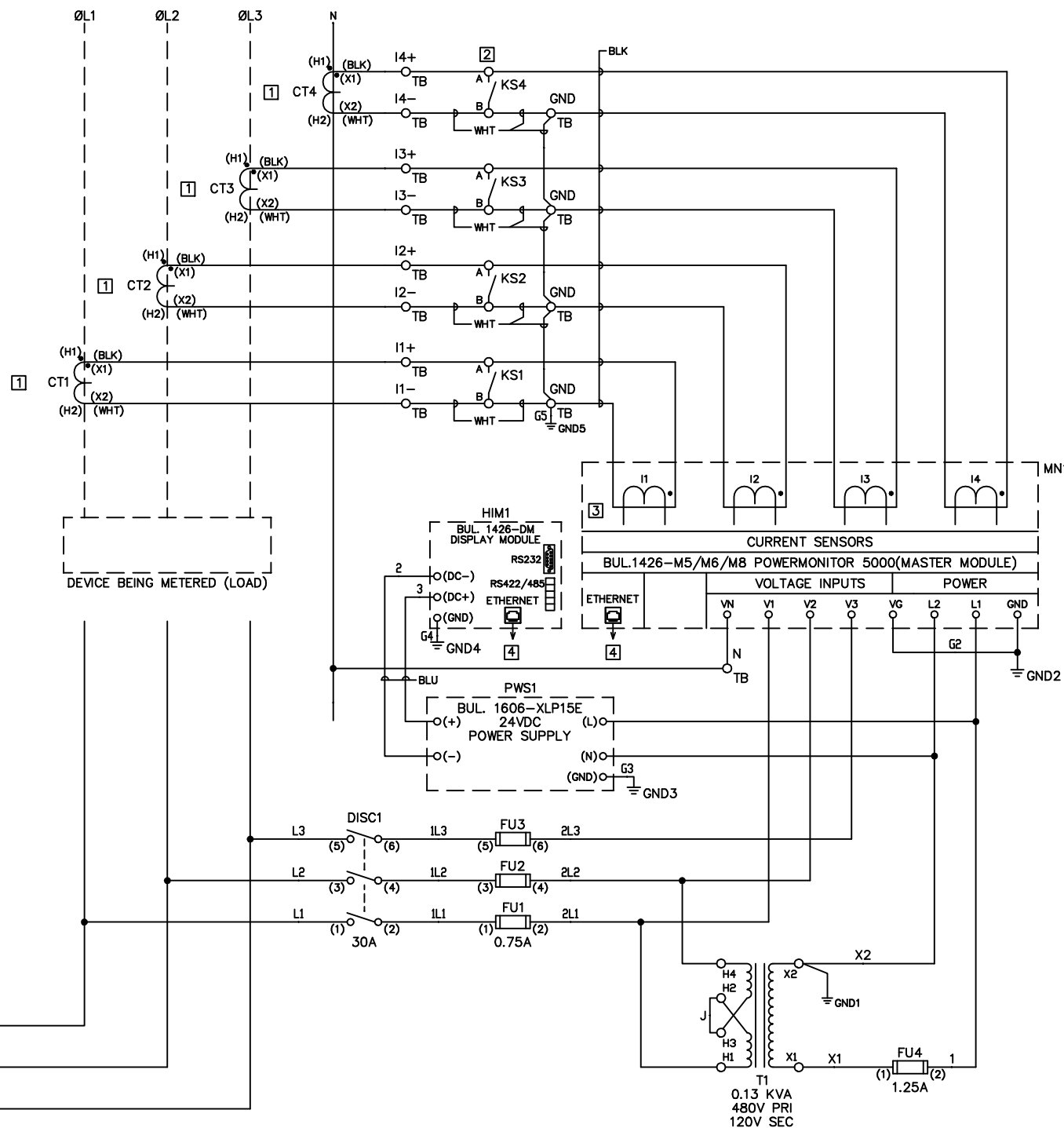
DRAWN BY: CTO DATE: 23-JUL-18

CONFIDENTIAL AND PROPRIETARY INFORMATION. THIS DOCUMENT CONTAINS CONFIDENTIAL AND PROPRIETARY INFORMATION OF ROCKWELL AUTOMATION, INC. AND MAY NOT BE USED, COPIED OR DISCLOSED TO OTHERS EXCEPT WITH THE AUTHORIZED WRITTEN PERMISSION OF ROCKWELL AUTOMATION INC.		
SHEET	1 OF 1	
SIZE	D	10001901640
VER	00	00

NOTES

1. _____ AMPS NAMEPLATE RATIO
 _____ AMPS EFFECTIVE RATIO WITH
 _____ PRIMARY TURNS
 _____ SECONDARY TURNS
 BE SURE TO CONNECT PER POLARITY MARKINGS. SECONDARY CONNECTIONS OF CURRENT TRANSFORMER MUST BE CONNECTED TO A LOAD OR SHORTED TOGETHER AND GROUNDED TO AVOID A HIGH VOLTAGE ACROSS SECONDARY LEADS.
 CUSTOMER IS TO MOUNT AND WIRE CURRENT TRANSFORMERS.
2. CT SHORTING TERMINAL BLOCKS ARE SHIPPED IN THE "CLOSED" POSITION. FOR PROPER OPERATION, THE SHORTING TERMINAL BLOCKS MUST BE IN THE "OPEN" (AS SHOWN) POSITION.
3. ROUTE THE CT SECONDARY WIRING (L+) THROUGH THE OPENINGS IN THE PM5000.
4. FOR ETHERNET/IP ASSEMBLED ORDERS, CONNECT TO ADAPTER IN WIREWAY OR DIRECTLY TO SWITCH.
 FOR ALL OTHER ORDERS, NO CONNECTION IS MADE.

USER'S INCOMING LINE CABLES



TERMINAL LAYOUT

TORQUE ALL FIELD CONNECTIONS TO THE VALUE SPECIFIED IN THE CUSTOMER WIRING TORQUE SPECIFICATION TABLE. ALL FACTORY WIRED CONNECTIONS HAVE BEEN PROPERLY TORQUED AND NEED NOT BE CHECKED.
 REFER TO 40110-920 FOR FACTORY WIRING TORQUE SPECS

CUSTOMER WIRING TORQUE SPECS (±10%)	
Bul. 1492-H1 Terminal Blocks	6 lb-in(0.7 Nm)
Bul. 1492-CE9 Terminal Blocks	15 lb-in(1.7 Nm)
PowerMonitor 5000 Terminals:	
Voltage Sensing Inputs	13 lb-in(1.5 Nm)
Control Power and Ground Wire Terminals	11 lb-in(1.2 Nm)
Status Inputs, KYZ Outputs and Control Relay Wiring	6 lb-in(0.7 Nm)
PowerMonitor 5000 Display Module DC and Ground Terminals	5 lb-in(0.6 Nm)

REV	APPROVED	DATE	STAGE	PROJECT:
				CUSTOMER:
				ORDER-LINE NUMBER:

Rockwell Automation

2190 METERING UNIT

CONFIDENTIAL AND PROPRIETARY INFORMATION. THIS DOCUMENT CONTAINS CONFIDENTIAL AND PROPRIETARY INFORMATION OF ROCKWELL AUTOMATION, INC. AND MAY NOT BE USED, COPIED OR DISCLOSED TO OTHERS EXCEPT WITH THE AUTHORIZED WRITTEN PERMISSION OF ROCKWELL AUTOMATION INC.

SHEET 1 OF 1

SIZE D 10003962630 VER 00

PROJ. DOC. TYPE: ELECTRICAL SCHEMATIC LANG: ENG DRAWN BY: CTO DATE: 23-JUL-18

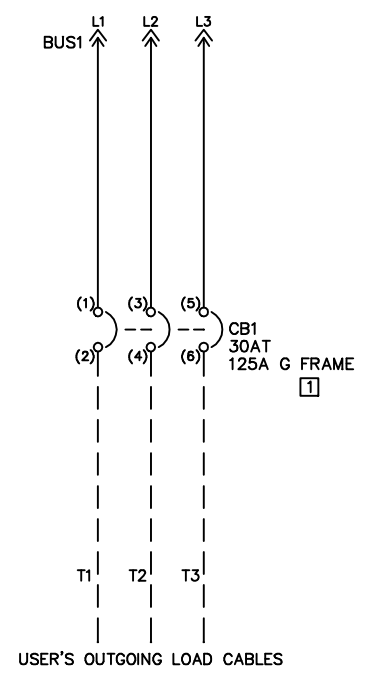
01 NOTES

02 1. UNIT SHORT CIRCUIT CURRENT RATING

03 CAN BE FOUND ON THE ONE-LINE

04 (WHERE APPLICABLE) OR ON THE UNIT

05 NAMEPLATE.



TORQUE ALL FIELD CONNECTIONS TO THE VALUE SPECIFIED IN THE CUSTOMER WIRING TORQUE SPECIFICATION TABLE. ALL FACTORY WIRED CONNECTIONS HAVE BEEN PROPERLY TORQUED AND NEED NOT BE CHECKED. REFER TO 40110-920 FOR FACTORY WIRING TORQUE SPECS

CUSTOMER WIRING TORQUE SPECS (±10%)	
Load Cable Connections	62 lb-in(7 Nm)
H-Frame Lug Pad Assy (2193FZ only)	90 lb-in(10 Nm)
C.B. Internal Device TB and External Auxiliary Contacts	7 lb-in(0.8 Nm)
22.5 mm DSA	5 lb-in(0.6 Nm)

REV	APPROVED	DATE	STAGE	PROJECT:
				CUSTOMER:
				ORDER-LINE NUMBER:

Rockwell Automation

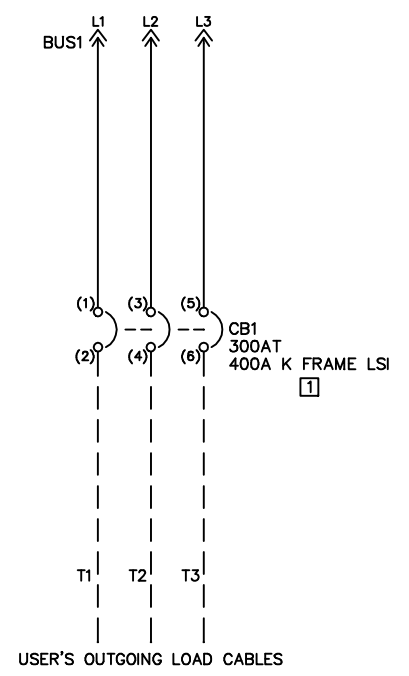
2193F 125 AF FEEDER CB

DRAWN BY: CTO DATE: 23-JUL-18

CONFIDENTIAL AND PROPRIETARY INFORMATION. THIS DOCUMENT CONTAINS CONFIDENTIAL AND PROPRIETARY INFORMATION OF ROCKWELL AUTOMATION, INC. AND MAY NOT BE USED, COPIED OR DISCLOSED TO OTHERS EXCEPT WITH THE AUTHORIZED WRITTEN PERMISSION OF ROCKWELL AUTOMATION INC.		
SHEET	1 OF 1	
SIZE	D	10003993582
VER	00	

NOTES

1. UNIT SHORT CIRCUIT CURRENT RATING CAN BE FOUND ON THE ONE-LINE (WHERE APPLICABLE) OR ON THE UNIT NAMEPLATE.



TORQUE ALL FIELD CONNECTIONS TO THE VALUE SPECIFIED IN THE CUSTOMER WIRING TORQUE SPECIFICATION TABLE. ALL FACTORY WIRED CONNECTIONS HAVE BEEN PROPERLY TORQUED AND NEED NOT BE CHECKED. REFER TO 40110-920 FOR FACTORY WIRING TORQUE SPECS

CUSTOMER WIRING TORQUE SPECS (±10%)		
Load Cable Connections:		
#2/0-250 kcmil CU	274 lb-in(31 Nm)	
#2/0-250 kcmil CU/AL	274 lb-in(31 Nm)	
250-500 kcmil CU	381 lb-in(43 Nm)	
250-500 kcmil CU/AL	381 lb-in(43 Nm)	
C.B. Internal Device TB and External Auxiliary Contacts	7 lb-in(0.8 Nm)	
22.5 mm DSA	5 lb-in(0.6 Nm)	

REV	APPROVED	DATE	STAGE	PROJECT:
				CUSTOMER:
				ORDER-LINE NUMBER:

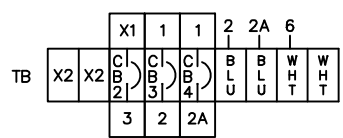
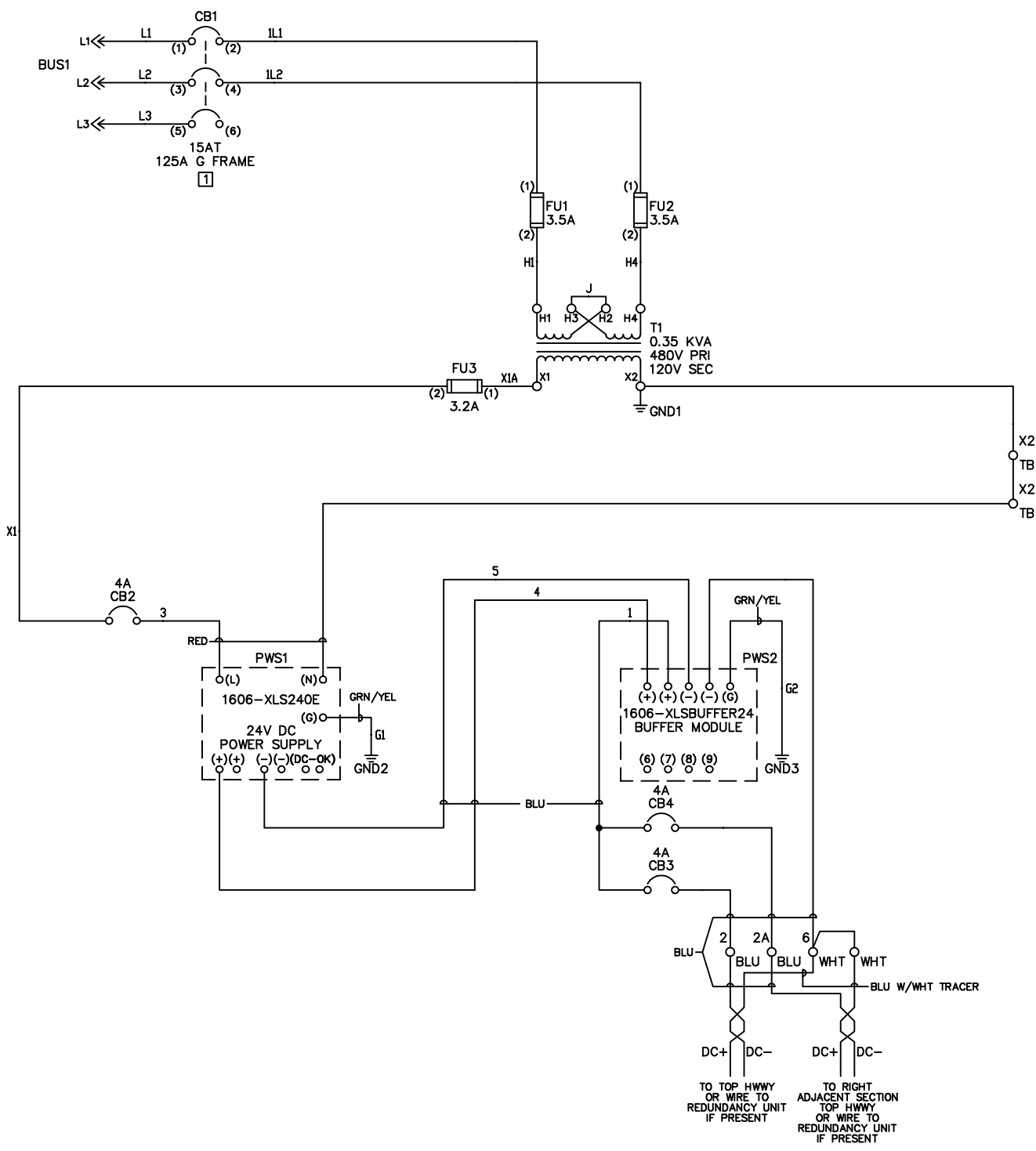
Rockwell Automation

2193F 400 AF FEEDER CB

DATE: 23-JUL-18

CONFIDENTIAL AND PROPRIETARY INFORMATION. THIS DOCUMENT CONTAINS CONFIDENTIAL AND PROPRIETARY INFORMATION OF ROCKWELL AUTOMATION, INC. AND MAY NOT BE USED, COPIED OR DISCLOSED TO OTHERS EXCEPT WITH THE AUTHORIZED WRITTEN PERMISSION OF ROCKWELL AUTOMATION INC.		
SHEET	1 OF 1	
SIZE	D	10003996122
VER	00	

01 NOTES
 02 1. UNIT SHORT CIRCUIT CURRENT RATING
 03 CAN BE FOUND ON THE ONE-LINE
 04 (WHERE APPLICABLE) OR ON THE UNIT
 05 NAMEPLATE.



TERMINAL LAYOUT

37 TORQUE ALL FIELD CONNECTIONS TO THE VALUE SPECIFIED IN THE CUSTOMER
 38 WIRING TORQUE SPECIFICATION TABLE. ALL FACTORY WIRED CONNECTIONS HAVE
 BEEN PROPERLY TORQUED AND NEED NOT BE CHECKED.
 39 REFER TO 40110-920 FOR FACTORY WIRING TORQUE SPECS

CUSTOMER WIRING TORQUE SPECS (±10%)	
Bul. 1489 Power Supply Input Circuit Breaker	21 lb-in(2.4 Nm)
Bul. 1492-J10 Terminal Blocks	20 lb-in(2.2 Nm)
Bul. 1492-J3TW Terminal Blocks	5 lb-in(0.6 Nm)
C.B. Internal Device TB and External Auxiliary Contacts	7 lb-in(0.8 Nm)

REV	APPROVED	DATE	STAGE	PROJECT:
				CUSTOMER:
				ORDER-LINE NUMBER:

Rockwell Automation

2100-EP58 ETHERNET POWER SUPPLY

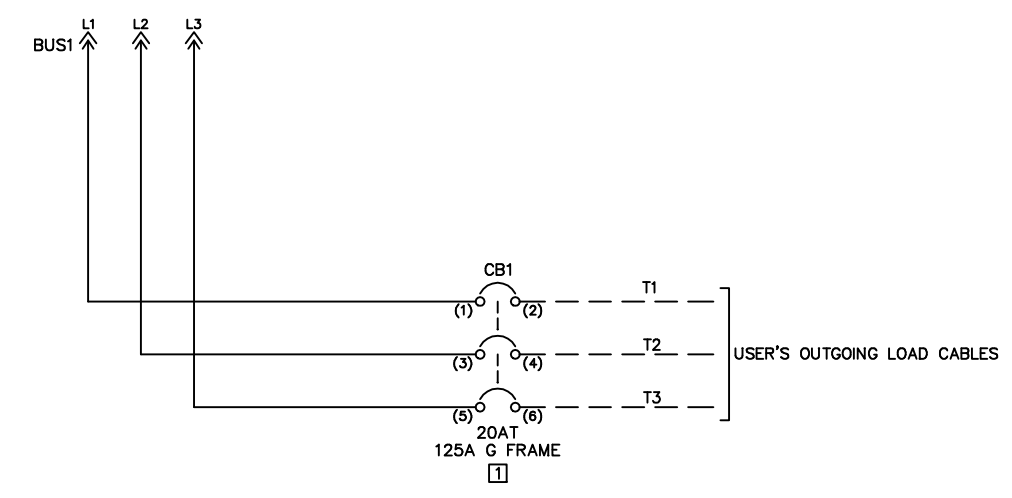
CONFIDENTIAL AND PROPRIETARY INFORMATION.
 THIS DOCUMENT CONTAINS CONFIDENTIAL AND PROPRIETARY
 INFORMATION OF ROCKWELL AUTOMATION, INC. AND MAY
 NOT BE USED, COPIED OR DISCLOSED TO OTHERS EXCEPT
 WITH THE AUTHORIZED WRITTEN PERMISSION OF
 ROCKWELL AUTOMATION INC.

SHEET 1 OF 1

SIZE D 10003996413 VER 00

01 NOTES
 02 1. UNIT SHORT CIRCUIT CURRENT RATING
 03 CAN BE FOUND ON THE ONE-LINE
 04 (WHERE APPLICABLE) OR ON THE UNIT
 05 NAMEPLATE.

15 UNIT INSTALLATION
 16 THE HANDLE EXTENDER KIT, 2100H-NE1,
 17 MAY BE NECESSARY FOR ANY TOP UNIT
 18 OPERATING HANDLES THAT ARE HIGHER
 19 THAN 6 FEET-7 INCHES OFF THE GROUND
 20 FOR COMPLIANCE WITH NEC.



37 TORQUE ALL FIELD CONNECTIONS TO THE VALUE SPECIFIED IN THE CUSTOMER
 38 WIRING TORQUE SPECIFICATION TABLE. ALL FACTORY WIRED CONNECTIONS HAVE
 39 BEEN PROPERLY TORQUED AND NEED NOT BE CHECKED.
 40 REFER TO 40110-920 FOR FACTORY WIRING TORQUE SPECS

CUSTOMER WIRING TORQUE SPECS (±10%)	
Load Cable Connections	62 lb-in(7 Nm)
H-Frame Lug Pad Assy (2193FZ only)	90 lb-in(10 Nm)
C.B. Internal Device TB and External Auxiliary Contacts	7 lb-in(0.8 Nm)
22.5 mm DSA	5 lb-in(0.6 Nm)

REV	APPROVED	DATE	STAGE	PROJECT:
				CUSTOMER:
				ORDER-LINE NUMBER:

Rockwell Automation

2193FZ 125 AF FEEDER CB

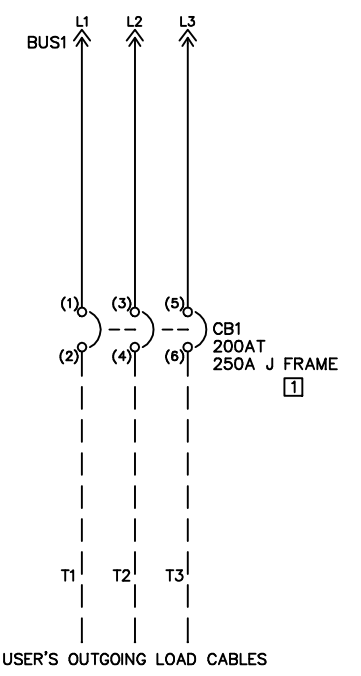
DRAWN BY: CTO DATE: 23-JUL-18

CONFIDENTIAL AND PROPRIETARY INFORMATION.
 THIS DOCUMENT CONTAINS CONFIDENTIAL AND PROPRIETARY
 INFORMATION OF ROCKWELL AUTOMATION, INC. AND MAY
 NOT BE USED, COPIED OR DISCLOSED TO OTHERS EXCEPT
 WITH THE AUTHORIZED WRITTEN PERMISSION OF
 ROCKWELL AUTOMATION INC.

SHEET 1 OF 1
 SIZE D 10004000280 VER 00

NOTES

1. UNIT SHORT CIRCUIT CURRENT RATING CAN BE FOUND ON THE ONE-LINE (WHERE APPLICABLE) OR ON THE UNIT NAMEPLATE.



TORQUE ALL FIELD CONNECTIONS TO THE VALUE SPECIFIED IN THE CUSTOMER WIRING TORQUE SPECIFICATION TABLE. ALL FACTORY WIRED CONNECTIONS HAVE BEEN PROPERLY TORQUED AND NEED NOT BE CHECKED. REFER TO 40110-920 FOR FACTORY WIRING TORQUE SPECS

CUSTOMER WIRING TORQUE SPECS (±10%)		
Load Cable Connections:		
#10-350 kcmil CU	124 lb-in(14 Nm)	
#14-1/0 CU/AL	50 lb-in(5.6 Nm)	
#14-350 kcmil CU/AL	89 lb-in(10 Nm)	
J-Frame Lug Pad Assy Cu 6-25	250 lb-in(28.2 Nm)	
C.B. Internal Device TB and External Auxiliary Contacts	7 lb-in(0.8 Nm)	
22.5 mm DSA	5 lb-in(0.6 Nm)	

REV	APPROVED	DATE	STAGE	PROJECT:
				CUSTOMER:
				ORDER-LINE NUMBER:

		<small>CONFIDENTIAL AND PROPRIETARY INFORMATION. THIS DOCUMENT CONTAINS CONFIDENTIAL AND PROPRIETARY INFORMATION OF ROCKWELL AUTOMATION, INC. AND MAY NOT BE USED, COPIED OR DISCLOSED TO OTHERS EXCEPT WITH THE AUTHORIZED WRITTEN PERMISSION OF ROCKWELL AUTOMATION INC.</small>	
		SHEET 1 OF 1	VER 00
2193F 250 AF FEEDER CB		SIZE D	10004002464
PROJ. DOC. TYPE: ELECTRICAL SCHEMATIC	LANG: ENG	DRAWN BY: CTO	DATE: 23-JUL-18

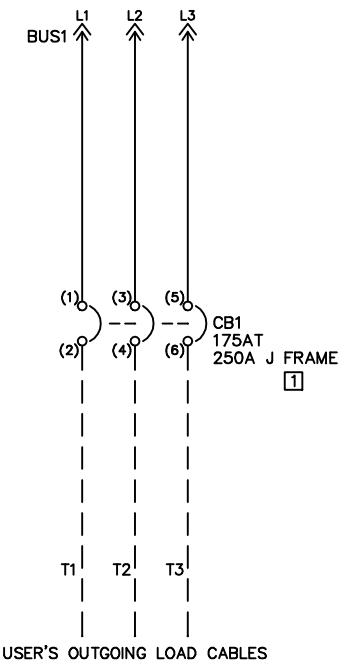
01 NOTES

02 1. UNIT SHORT CIRCUIT CURRENT RATING

03 CAN BE FOUND ON THE ONE-LINE

04 (WHERE APPLICABLE) OR ON THE UNIT

05 NAMEPLATE.



36 TORQUE ALL FIELD CONNECTIONS TO THE VALUE SPECIFIED IN THE CUSTOMER

37 WIRING TORQUE SPECIFICATION TABLE. ALL FACTORY WIRED CONNECTIONS HAVE

38 BEEN PROPERLY TORQUED AND NEED NOT BE CHECKED.

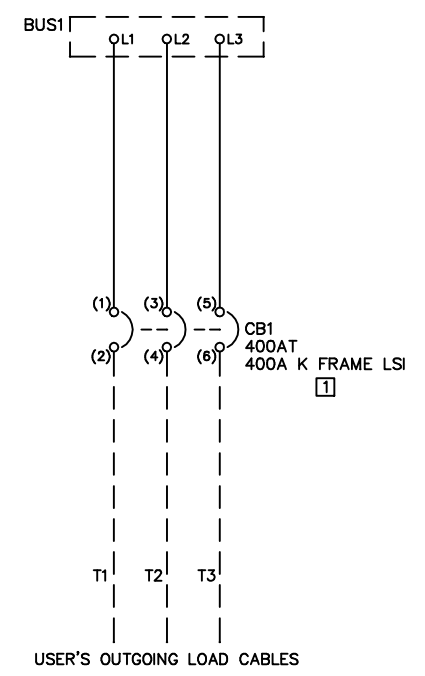
39 REFER TO 40110-920 FOR FACTORY WIRING TORQUE SPECS

CUSTOMER WIRING TORQUE SPECS (±10%)		
Load Cable Connections:		
#10-350 kcmil CU	124 lb-in(14 Nm)	
#14-1/0 CU/AL	50 lb-in(5.6 Nm)	
#14-350 kcmil CU/AL	89 lb-in(10 Nm)	
J-Frame Lug Pad Assy Cu 6-25	250 lb-in(28.2 Nm)	
C.B. Internal Device TB and External Auxiliary Contacts	7 lb-in(0.8 Nm)	
22.5 mm DSA	5 lb-in(0.6 Nm)	

REV	APPROVED	DATE	STAGE	PROJECT:
				CUSTOMER:
				ORDER-LINE NUMBER:

		CONFIDENTIAL AND PROPRIETARY INFORMATION. THIS DOCUMENT CONTAINS CONFIDENTIAL AND PROPRIETARY INFORMATION OF ROCKWELL AUTOMATION, INC. AND MAY NOT BE USED, COPIED OR DISCLOSED TO OTHERS EXCEPT WITH THE AUTHORIZED WRITTEN PERMISSION OF ROCKWELL AUTOMATION INC.	
		SHEET 1 OF 1	VER 00
2193F 250 AF FEEDER CB		SIZE D	10004013568
PROJ. DOC. TYPE: ELECTRICAL SCHEMATIC	LANG: ENG	DRAWN BY: CTO	DATE: 23-JUL-18


01 NOTES
 02 1. UNIT SHORT CIRCUIT CURRENT RATING
 03 CAN BE FOUND ON THE ONE-LINE
 04 (WHERE APPLICABLE) OR ON THE UNIT
 05 NAMEPLATE.
 06
 07
 08
 09
 10
 11
 12
 13
 14
 15
 16
 17
 18
 19
 20
 21



36 TORQUE ALL FIELD CONNECTIONS TO THE VALUE SPECIFIED IN THE CUSTOMER
 37 WIRING TORQUE SPECIFICATION TABLE. ALL FACTORY WIRED CONNECTIONS HAVE
 38 BEEN PROPERLY TORQUED AND NEED NOT BE CHECKED.
 39 REFER TO 40110-920 FOR FACTORY WIRING TORQUE SPECS

CUSTOMER WIRING TORQUE SPECS (±10%)		
Load Cable Connections:		
#2/0-250 kcmil CU	274 lb-in(31 Nm)	
#2/0-250 kcmil CU/AL	274 lb-in(31 Nm)	
250-500 kcmil CU	381 lb-in(43 Nm)	
250-500 kcmil CU/AL	381 lb-in(43 Nm)	
C.B. Internal Device TB and External Auxiliary Contacts	7 lb-in(0.8 Nm)	
22.5 mm DSA	5 lb-in(0.6 Nm)	

REV	APPROVED	DATE	STAGE	PROJECT:
				CUSTOMER:
				ORDER-LINE NUMBER:

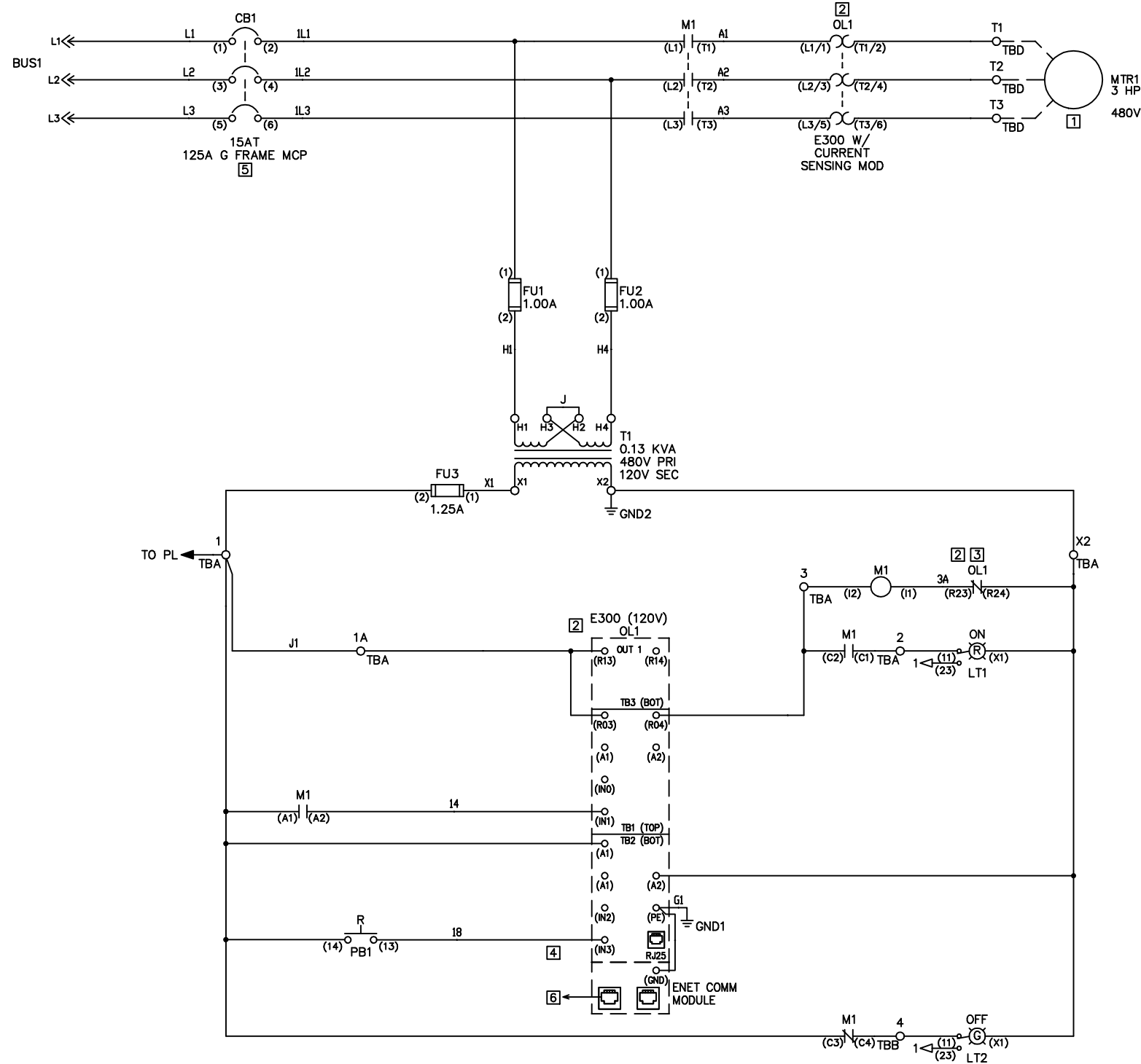
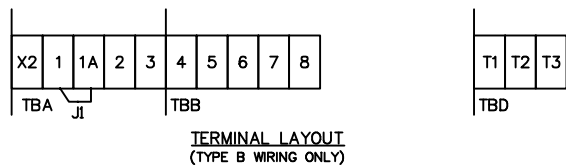


2193F 400 AF FEEDER CB

SHEET 1 OF 1	
SIZE D	VER 00
10004042632	DATE: 23-JUL-18

NOTES

- REMOTE DEVICE
- DO NOT USE AUTOMATIC RESET MODE IN APPLICATIONS WHERE UNEXPECTED AUTOMATIC RESTART OF THE MOTOR CAN CAUSE INJURY TO PERSONS OR DAMAGE TO EQUIPMENT.
ADDITIONAL DEVICES MAY BE MONITORED BY THE E300 OVERLOAD DEPENDING ON THE CONFIGURATION. CONNECT A 120VAC SIGNAL TO ANY OF THE UNUSED 120VAC INTERFACE MODULE INPUTS. ALL A1 AND A2 TERMINALS ARE INTERNALLY CONNECTED. ADDITIONAL PROGRAMMING MAY BE REQUIRED.
OUTPUT PT00 (R0)
E300 PARAMETER 202 SET TO 0 - (NORMAL RELAY)
OUTPUT PT02 (R2)
E300 PARAMETER 204 SET TO 1 - (TRIP RELAY)
- CONTACT SHOWN WITH RELAY POWERED AND NO FAULTS PRESENT. REFER TO E300 USER MANUAL FOR OPERATION.
- RESET BUTTON (IN3)
E300 PARAMETER 199 SET TO 1 - (TRIPRESET) OR LOGIX TAG - C.INPT03ASSIGNMENT SET TO 1
- UNIT SHORT CIRCUIT CURRENT RATING CAN BE FOUND ON THE ONE-LINE (WHERE APPLICABLE) OR ON THE UNIT NAMEPLATE.
- FOR ETHERNET LINEUPS, ETHERNET CABLE CONNECTED TO ADAPTER IN WIREWAY OR DIRECTLY TO SWITCH. FOR ALL OTHER ORDERS, NO CONNECTION IS MADE BY FACTORY.



TORQUE ALL FIELD CONNECTIONS TO THE VALUE SPECIFIED IN THE CUSTOMER WIRING TORQUE SPECIFICATION TABLE. ALL FACTORY WIRE CONNECTIONS HAVE BEEN PROPERLY TORQUED AND NEED NOT BE CHECKED. REFER TO 40110-920 FOR FACTORY WIRING TORQUE SPECS

CUSTOMER WIRING TORQUE SPECS (±10%)	
Load Cable Connection at Overload	22 lb-in(2.5 Nm)
Load Cable Connection at Power Terminal Block	30 lb-in(3.4 Nm)
Starter Auxiliary Contacts	12 lb-in(1.3 Nm)
C.B. Internal Device TB and External Auxiliary Contacts	7 lb-in(0.8 Nm)
Overload Control Terminals and 120V Communication Mod.	5 lb-in(0.6 Nm)
Control Terminal Blocks	12 lb-in(1.3 Nm)

REV	APPROVED	DATE	STAGE	PROJECT:

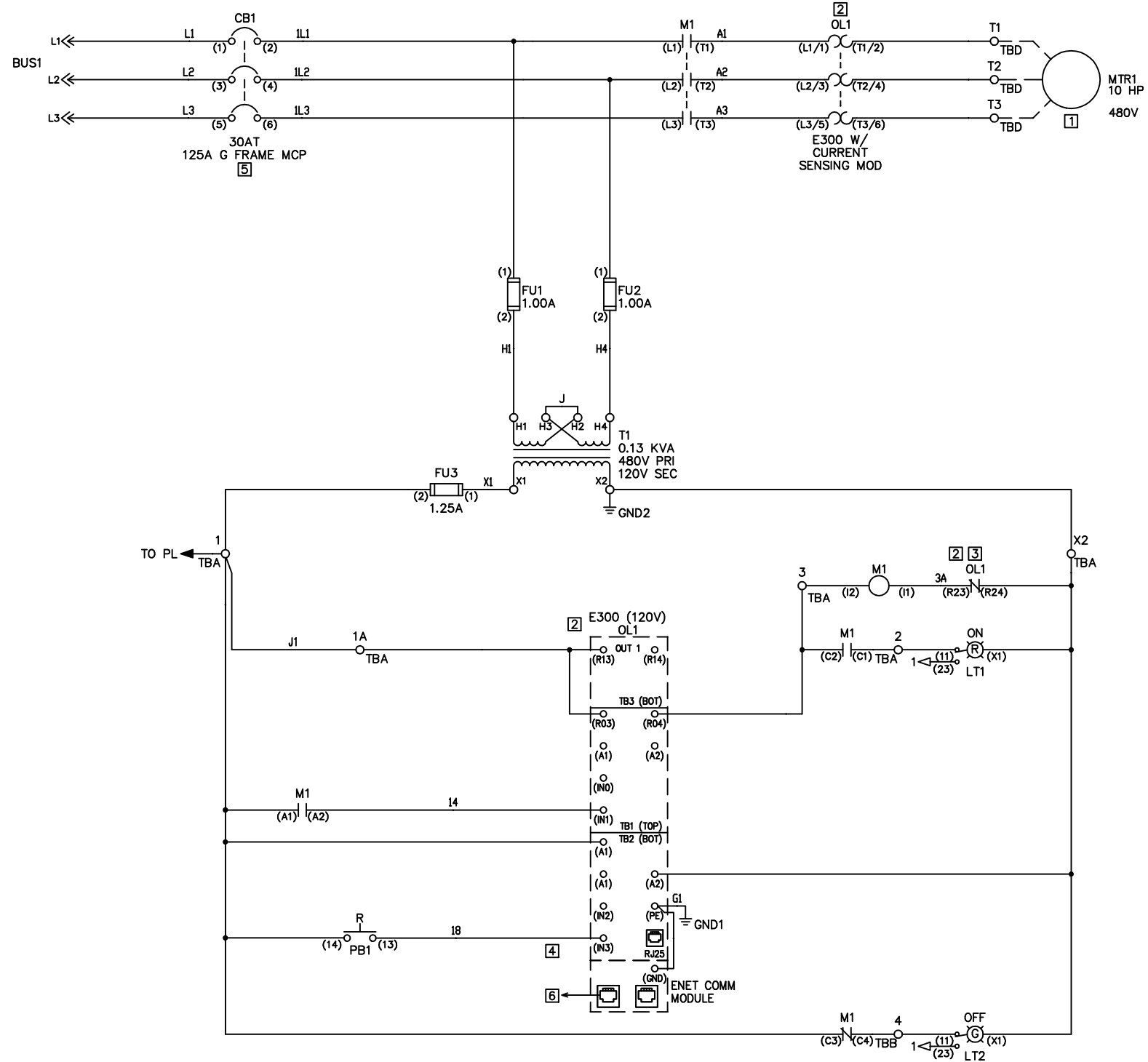
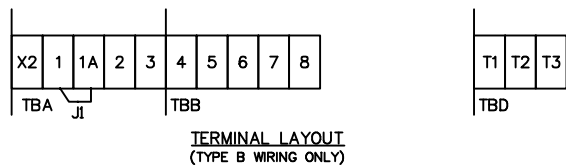
CUSTOMER:
ORDER-LINE NUMBER:
PROJ. DOC. TYPE: ELECTRICAL SCHEMATIC
LANG: ENG

Rockwell Automation
2113 SIZE 1 FVNR
DRAWN BY: CTO
DATE: 23-JUL-18

CONFIDENTIAL AND PROPRIETARY INFORMATION.
THIS DOCUMENT CONTAINS CONFIDENTIAL AND PROPRIETARY INFORMATION OF ROCKWELL AUTOMATION, INC. AND MAY NOT BE USED, COPIED OR DISCLOSED TO OTHERS EXCEPT WITH THE AUTHORIZED WRITTEN PERMISSION OF ROCKWELL AUTOMATION INC.
SHEET 1 OF 1
SIZE D 10004143420
VER 00

NOTES

1. REMOTE DEVICE
2. DO NOT USE AUTOMATIC RESET MODE IN APPLICATIONS WHERE UNEXPECTED AUTOMATIC RESTART OF THE MOTOR CAN CAUSE INJURY TO PERSONS OR DAMAGE TO EQUIPMENT.
ADDITIONAL DEVICES MAY BE MONITORED BY THE E300 OVERLOAD DEPENDING ON THE CONFIGURATION. CONNECT A 120VAC SIGNAL TO ANY OF THE UNUSED 120VAC INTERFACE MODULE INPUTS. ALL A1 AND A2 TERMINALS ARE INTERNALLY CONNECTED. ADDITIONAL PROGRAMMING MAY BE REQUIRED.
OUTPUT PT00 (R0)
E300 PARAMETER 202 SET TO 0 - (NORMAL RELAY)
OUTPUT PT02 (R2)
E300 PARAMETER 204 SET TO 1 - (TRIP RELAY)
3. CONTACT SHOWN WITH RELAY POWERED AND NO FAULTS PRESENT. REFER TO E300 USER MANUAL FOR OPERATION.
4. RESET BUTTON (IN3)
E300 PARAMETER 199 SET TO 1 - (TRIPRESET) OR LOGIX TAG - C.INPT03ASSIGNMENT SET TO 1
5. UNIT SHORT CIRCUIT CURRENT RATING CAN BE FOUND ON THE ONE-LINE (WHERE APPLICABLE) OR ON THE UNIT NAMEPLATE.
6. FOR ETHERNET LINEUPS, ETHERNET CABLE CONNECTED TO ADAPTER IN WIREWAY OR DIRECTLY TO SWITCH. FOR ALL OTHER ORDERS, NO CONNECTION IS MADE BY FACTORY.



TORQUE ALL FIELD CONNECTIONS TO THE VALUE SPECIFIED IN THE CUSTOMER WIRING TORQUE SPECIFICATION TABLE. ALL FACTORY WIRE CONNECTIONS HAVE BEEN PROPERLY TORQUED AND NEED NOT BE CHECKED. REFER TO 40110-920 FOR FACTORY WIRING TORQUE SPECS

CUSTOMER WIRING TORQUE SPECS (±10%)	
Load Cable Connection at Overload	22 lb-in(2.5 Nm)
Load Cable Connection at Power Terminal Block	30 lb-in(3.4 Nm)
Starter Auxiliary Contacts	12 lb-in(1.3 Nm)
C.B. Internal Device TB and External Auxiliary Contacts	7 lb-in(0.8 Nm)
Overload Control Terminals and 120V Communication Mod.	5 lb-in(0.6 Nm)
Control Terminal Blocks	12 lb-in(1.3 Nm)

REV	APPROVED	DATE	STAGE	PROJECT:

CUSTOMER:
ORDER-LINE NUMBER:
PROJ. DOC. TYPE: ELECTRICAL SCHEMATIC
LANG: ENG

Rockwell Automation

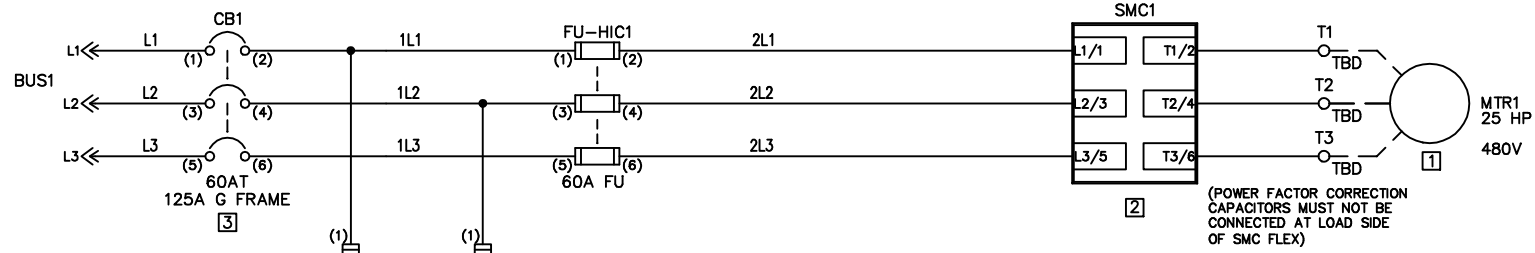
2113 SIZE 1 FVNR

DRAWN BY: CTO DATE: 23-JUL-18

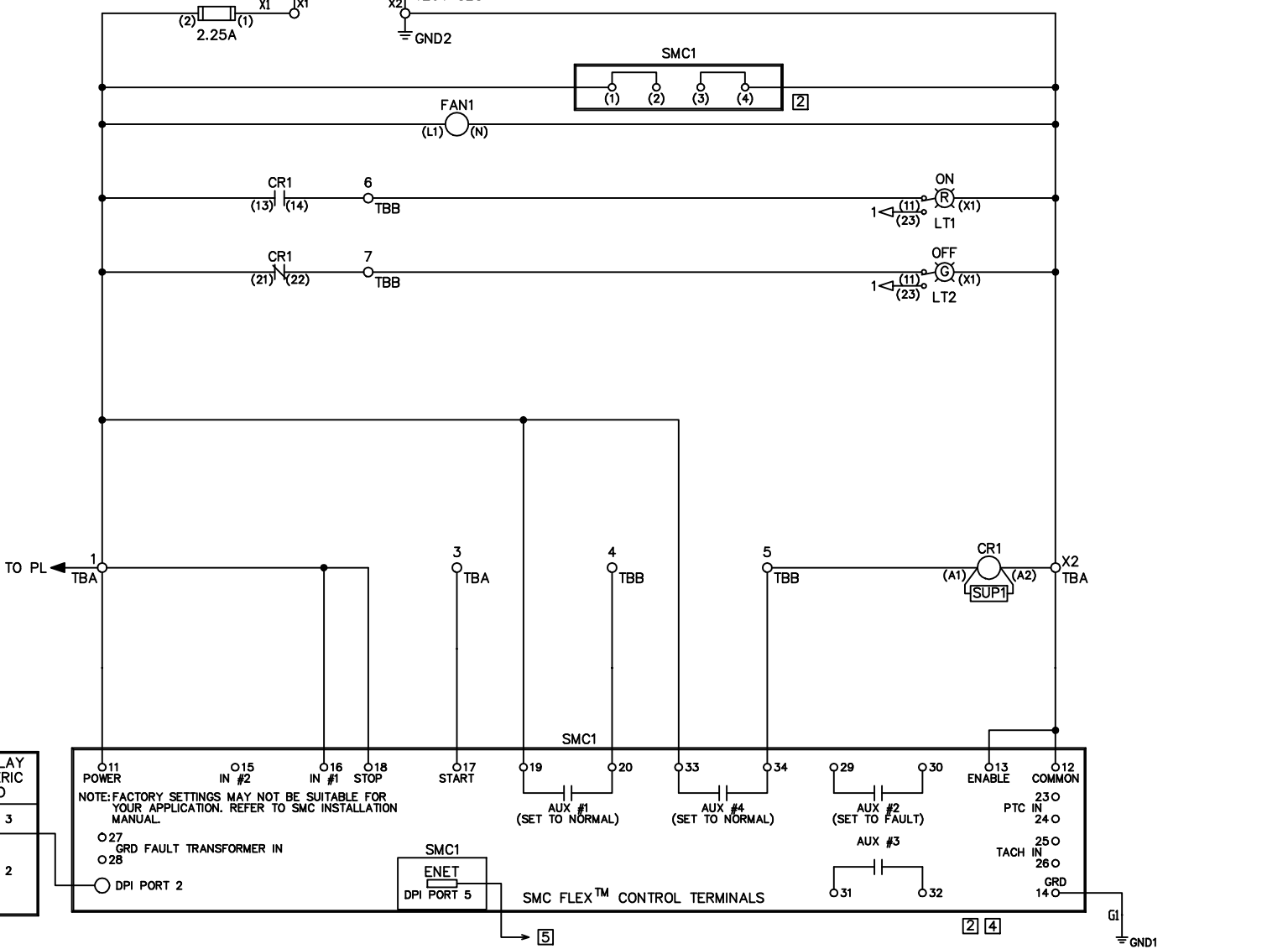
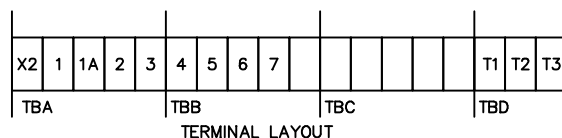
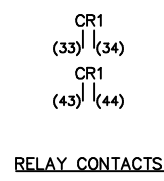
CONFIDENTIAL AND PROPRIETARY INFORMATION. THIS DOCUMENT CONTAINS CONFIDENTIAL AND PROPRIETARY INFORMATION OF ROCKWELL AUTOMATION, INC. AND MAY NOT BE USED, COPIED OR DISCLOSED TO OTHERS EXCEPT WITH THE AUTHORIZED WRITTEN PERMISSION OF ROCKWELL AUTOMATION INC.		
SHEET	1 OF 1	VER
SIZE	D 10004143422	00

NOTES

1. REMOTE DEVICE
2. BULLETIN 150 SOLID STATE MOTOR CONTROLLER. REFER TO SMC USER MANUAL FOR APPLICATION DATA.
3. UNIT SHORT CIRCUIT CURRENT RATING CAN BE FOUND ON THE ONE-LINE (WHERE APPLICABLE) OR ON THE UNIT NAMEPLATE.
4. PROGRAM LOGIC MASK (PARAMETER 87) TO MASK CODE "44".
5. FOR ETHERNET/IP ORDERS, ETHERNET CABLE CONNECTED TO ADAPTER IN WIREWAY OR DIRECTLY TO SWITCH. FOR ALL OTHER ORDERS, NO CONNECTION IS MADE.



ATTENTION: WHEN NOT USING AN ISOLATION CONTACTOR, HAZARDOUS VOLTAGES ARE PRESENT AT THE LOAD TERMINALS OF THE CONTROLLER EVEN WHEN THE CONTROLLER IS TURNED OFF. AT INSTALLATION, WARNING LABELS (WHICH ARE SUPPLIED) MUST BE ATTACHED TO THE MOTOR TERMINAL BOX, THE CONTROLLER ENCLOSURE AND THE CONTROL STATION. CUSTOMER MUST PROVIDE ADDITIONAL CIRCUITRY FOR AUTOMATIC ISOLATION.



TORQUE ALL FIELD CONNECTIONS TO THE VALUE SPECIFIED IN THE CUSTOMER WIRING TORQUE SPECIFICATION TABLE. ALL FACTORY WIRED CONNECTIONS HAVE BEEN PROPERLY TORQUED AND NEED NOT BE CHECKED. REFER TO 40110-921 FOR FACTORY WIRING TORQUE SPECS

CUSTOMER WIRING TORQUE SPECS (±10%)	
100A Fuse Clamp Screw w/ Fuses	30 lb-in(3.4 Nm)
SMC Control & Fan Terminals	7 lb-in(0.8 Nm)
Isolation Contactor Auxiliary Contacts	12 lb-in(1.3 Nm)
Communication Module Plug-in Connector(s)	5 lb-in(0.6 Nm)
Power Terminal Blocks	30 lb-in(3.4 Nm)
Control Terminal Blocks	12 lb-in(1.3 Nm)
C.B. Internal Device TB and External Auxiliary Contacts	7 lb-in(0.8 Nm)
800T or 800H Pilot Devices	9 lb-in(1 Nm)
800F Pilot Devices	7 lb-in(0.8 Nm)
700P or 700CF Relay	20 lb-in(2.2 Nm)

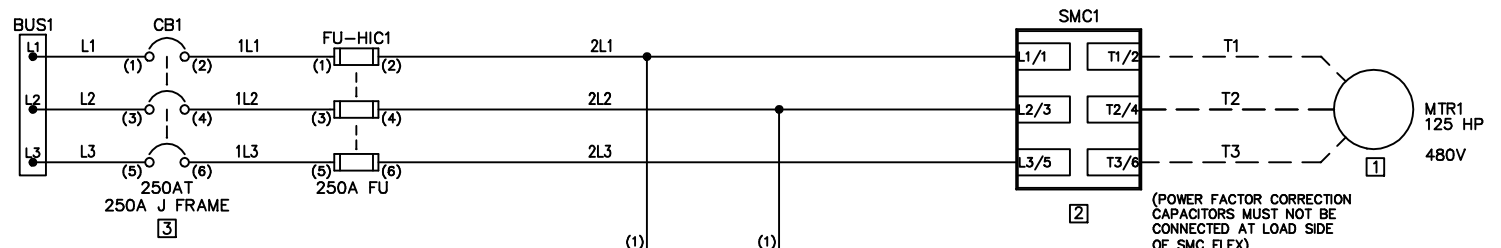
REV	APPROVED	DATE	STAGE	PROJECT:

2155J 43 AMP SMC-FLEX

SHEET 1 OF 1	
SIZE D	10004143424
VER 00	

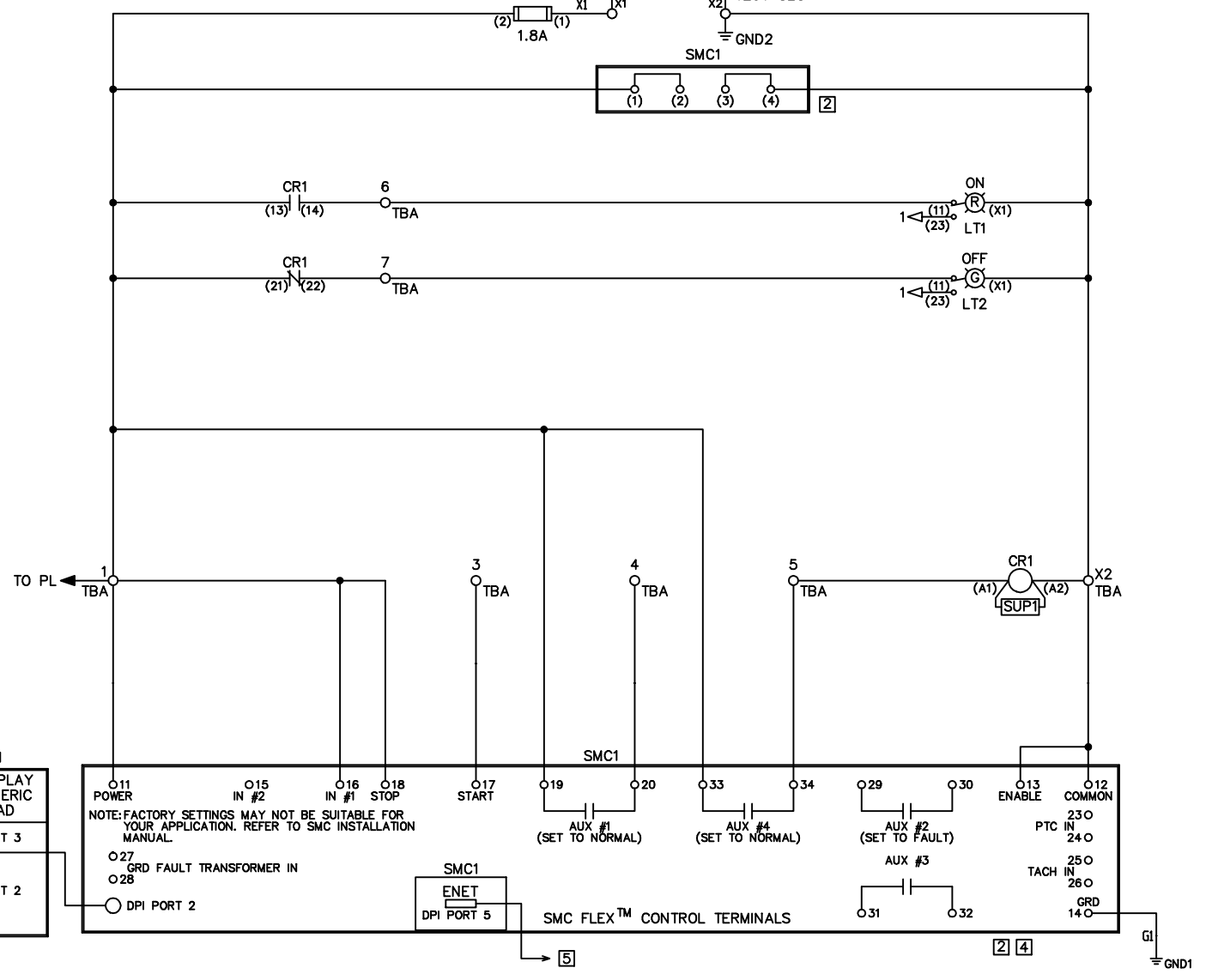
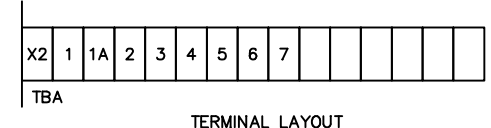
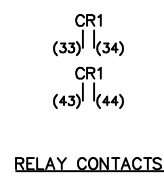
DATE: 23-JUL-18

- NOTES**
- REMOTE DEVICE
 - BULLETIN 150 SOLID STATE MOTOR CONTROLLER. REFER TO SMC USER MANUAL FOR APPLICATION DATA.
 - UNIT SHORT CIRCUIT CURRENT RATING CAN BE FOUND ON THE ONE-LINE (WHERE APPLICABLE) OR ON THE UNIT NAMEPLATE.
 - PROGRAM LOGIC MASK (PARAMETER 87) TO MASK CODE "44".
 - FOR ETHERNET/IP ORDERS, ETHERNET CABLE CONNECTED TO ADAPTER IN WIREWAY OR DIRECTLY TO SWITCH. FOR ALL OTHER ORDERS, NO CONNECTION IS MADE.



(POWER FACTOR CORRECTION CAPACITORS MUST NOT BE CONNECTED AT LOAD SIDE OF SMC FLEX)

ATTENTION: WHEN NOT USING AN ISOLATION CONTACTOR, HAZARDOUS VOLTAGES ARE PRESENT AT THE LOAD TERMINALS OF THE CONTROLLER EVEN WHEN THE CONTROLLER IS TURNED OFF. AT INSTALLATION, WARNING LABELS (WHICH ARE SUPPLIED) MUST BE ATTACHED TO THE MOTOR TERMINAL BOX, THE CONTROLLER ENCLOSURE AND THE CONTROL STATION. CUSTOMER MUST PROVIDE ADDITIONAL CIRCUITRY FOR AUTOMATIC ISOLATION.



TORQUE ALL FIELD CONNECTIONS TO THE VALUE SPECIFIED IN THE CUSTOMER WIRING TORQUE SPECIFICATION TABLE. ALL FACTORY WIRE CONNECTIONS HAVE BEEN PROPERLY TORQUED AND NEED NOT BE CHECKED. REFER TO 40110-921 FOR FACTORY WIRING TORQUE SPECS

High Interrupting Capacity Fuse Clamp Screw	45 lb-in(5 Nm)
Isolation Contactor Auxiliary Contacts	16 lb-in(1.8 Nm)
135A SMC Load Side Power Terminal	150 lb-in(16.9 Nm)
201A & 251A SMC Load Side Power Terminal	200 lb-in(23 Nm)
SMC Customer Load Wire Lug Screw	275 lb-in(31 Nm)
SMC Control Terminals	5 lb-in(0.6 Nm)
Communication Module Plug-in Connector(s)	5 lb-in(0.6 Nm)
Control Terminal Blocks	12 lb-in(1.3 Nm)
C.B. Internal Device TB and External Auxiliary Contacts	7 lb-in(0.8 Nm)
800T or 800H Pilot Devices	9 lb-in(1 Nm)
800F Pilot Devices	7 lb-in(0.8 Nm)
700P or 700CF Relay	20 lb-in(2.2 Nm)

REV	APPROVED	DATE	STAGE	PROJECT:
				CUSTOMER:
				ORDER-LINE NUMBER:

PROJ. DOC. TYPE: ELECTRICAL SCHEMATIC LANG: ENG DRAWN BY: CTO DATE: 23-JUL-18

2155J 201 AMP SMC-FLEX

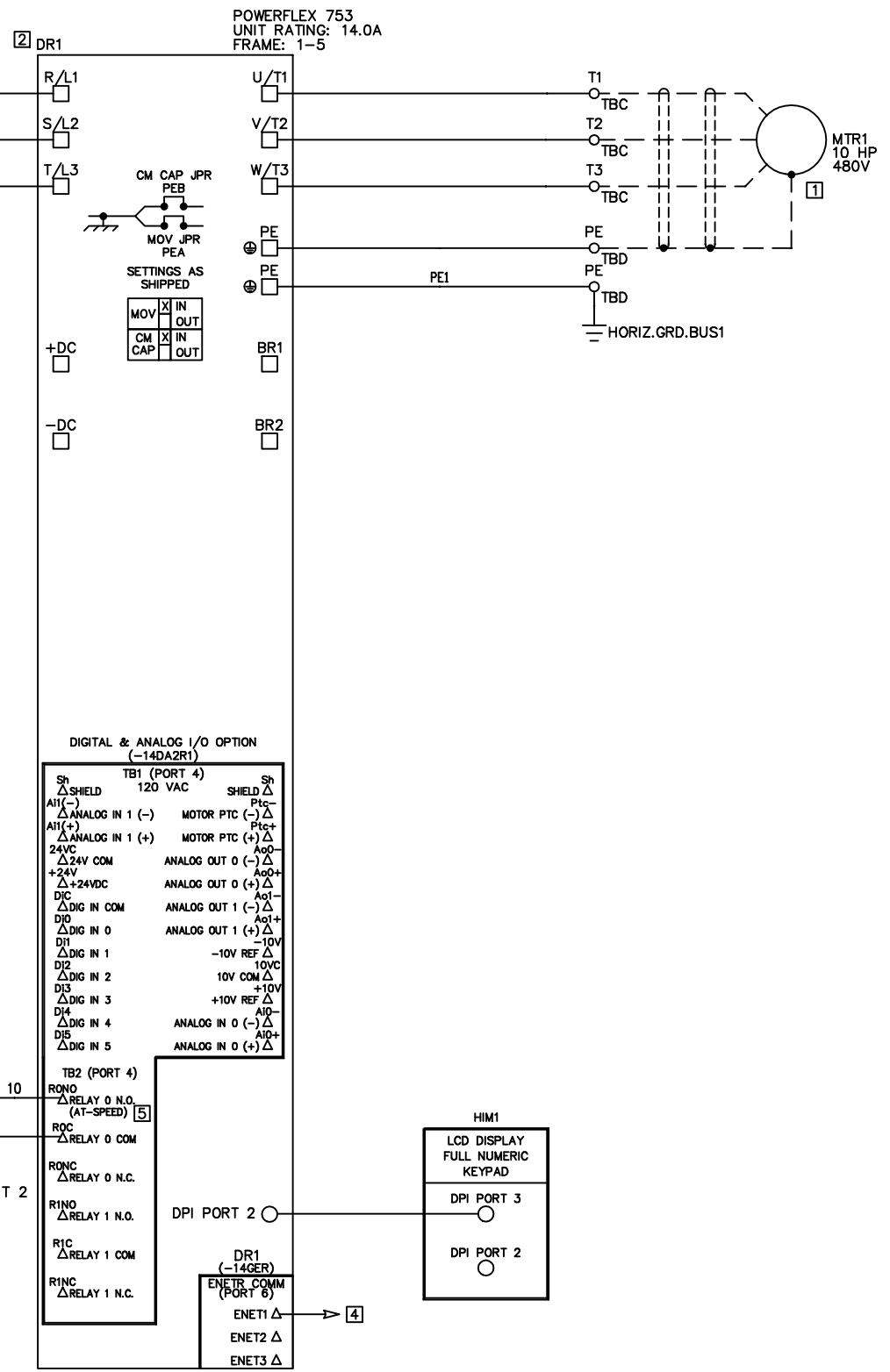
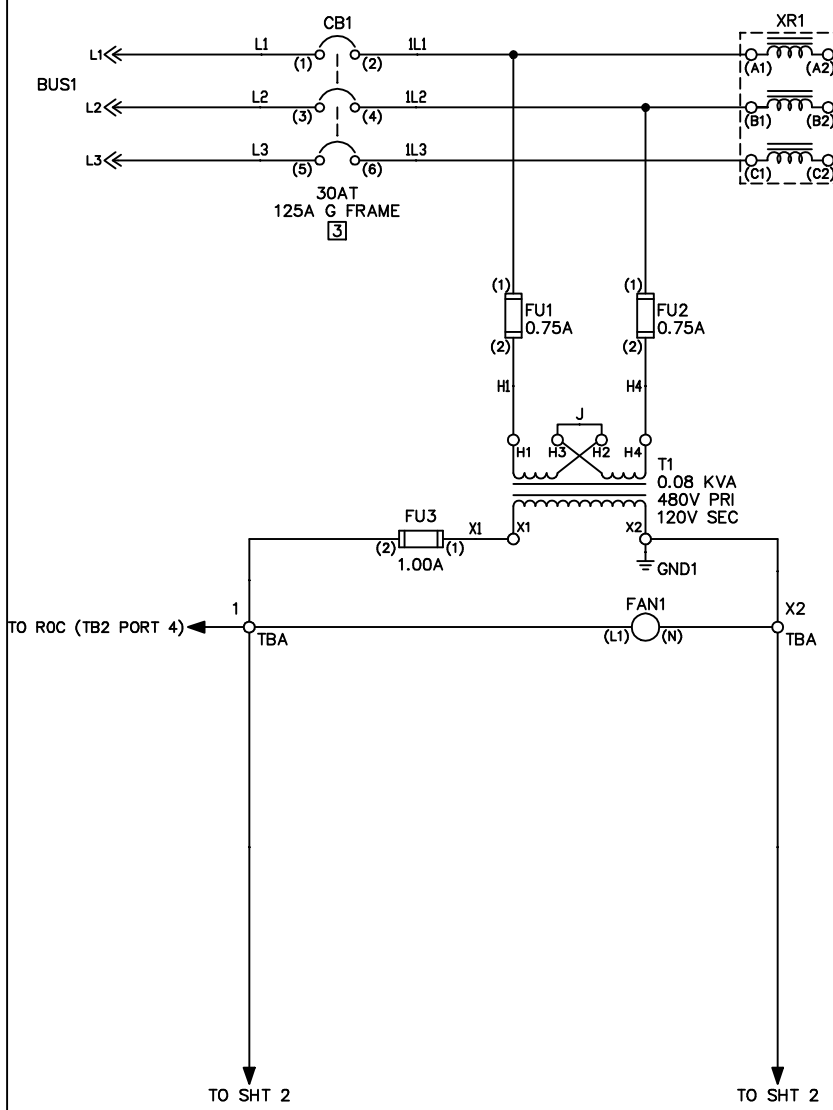
CONFIDENTIAL AND PROPRIETARY INFORMATION. THIS DOCUMENT CONTAINS CONFIDENTIAL AND PROPRIETARY INFORMATION OF ROCKWELL AUTOMATION, INC. AND MAY NOT BE USED, COPIED OR DISCLOSED TO OTHERS EXCEPT WITH THE AUTHORIZED WRITTEN PERMISSION OF ROCKWELL AUTOMATION INC.

SHEET 1 OF 1

SIZE D 10004143426 VER 00

NOTES

1. REMOTE DEVICE.
2. REFER TO DRIVE USER MANUAL FOR APPLICATION DATA.
3. UNIT SHORT CIRCUIT CURRENT RATING CAN BE FOUND ON THE ONE-LINE (WHERE APPLICABLE) OR ON THE UNIT NAMEPLATE.
4. FOR ETHERNET/IP ORDERS, ETHERNET CABLE CONNECTED TO ADAPTER IN WIREWAY OR DIRECTLY TO SWITCH. FOR ALL OTHER ORDERS, NO CONNECTION IS MADE.
5. RUN IS PORT 0, R0
 PORT 0: P230 [R00 Sel] =
 PORT 0: P935 [Drive Status 1],
 BIT 16 [Running]
 AT SPEED IS I/O MODULE PORT 4, R0
 PORT 4: P10 [R00 Sel] =
 PORT 0: P935 [Drive Status 1],
 BIT 8 [At-Speed]



TORQUE ALL FIELD CONNECTIONS TO THE VALUE SPECIFIED IN THE CUSTOMER WIRING TORQUE SPECIFICATION TABLE. ALL FACTORY WIRED CONNECTIONS HAVE BEEN PROPERLY TORQUED AND NEED NOT BE CHECKED. REFER TO 40110-922 FOR FACTORY WIRING TORQUE SPECS

CUSTOMER WIRING TORQUE SPECS (±10%)	
Load Cable Connection at Drive Power Terminal Blocks	5 lb-in(0.6 Nm)
Drive Main Control Terminal Blocks -- TB1, TB2 & TB3	2 lb-in(0.2 Nm)
C.B. Internal Device TB and External Auxiliary Contacts	7 lb-in(0.8 Nm)
Control Wire Connections at Control Terminal Blocks	6 lb-in(0.7 Nm)
Load Cable Connection at Power Terminal Blocks	30 lb-in(3.4 Nm)
Ground Wire to Horizontal Ground Bus	65 lb-in(7.3 Nm)

NOTATION (used in above notes)
 P = PARAMETER
 (e.g. P158 = PARAMETER 158)

DRIVE LEGEND

- POWER TERMINAL
- △ CONTROL TERMINAL

REV	APPROVED	DATE	STAGE	PROJECT:
				CUSTOMER:
				ORDER-LINE NUMBER:

2163U 14 AMP FLEX 753 VFD N.D.

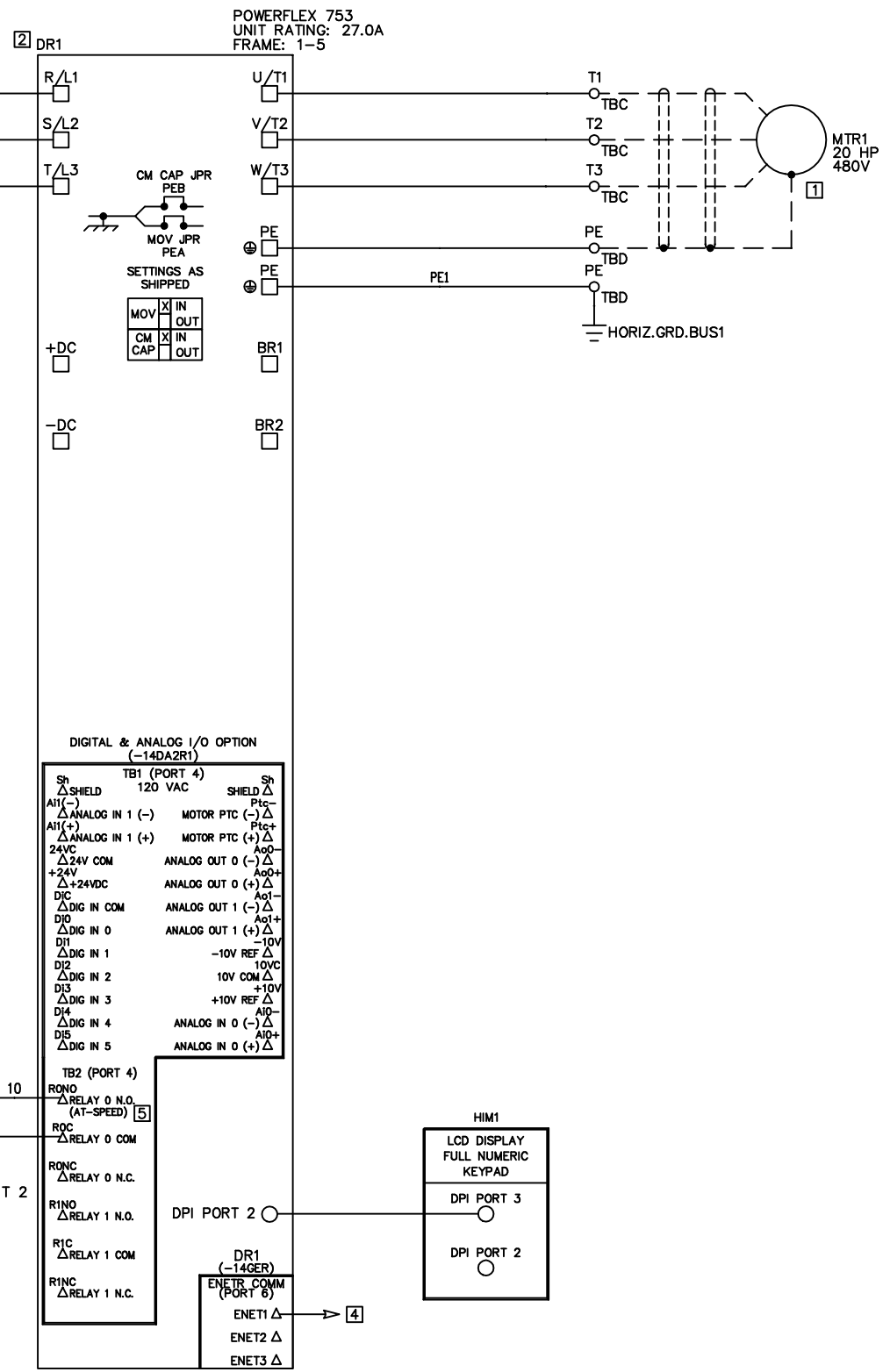
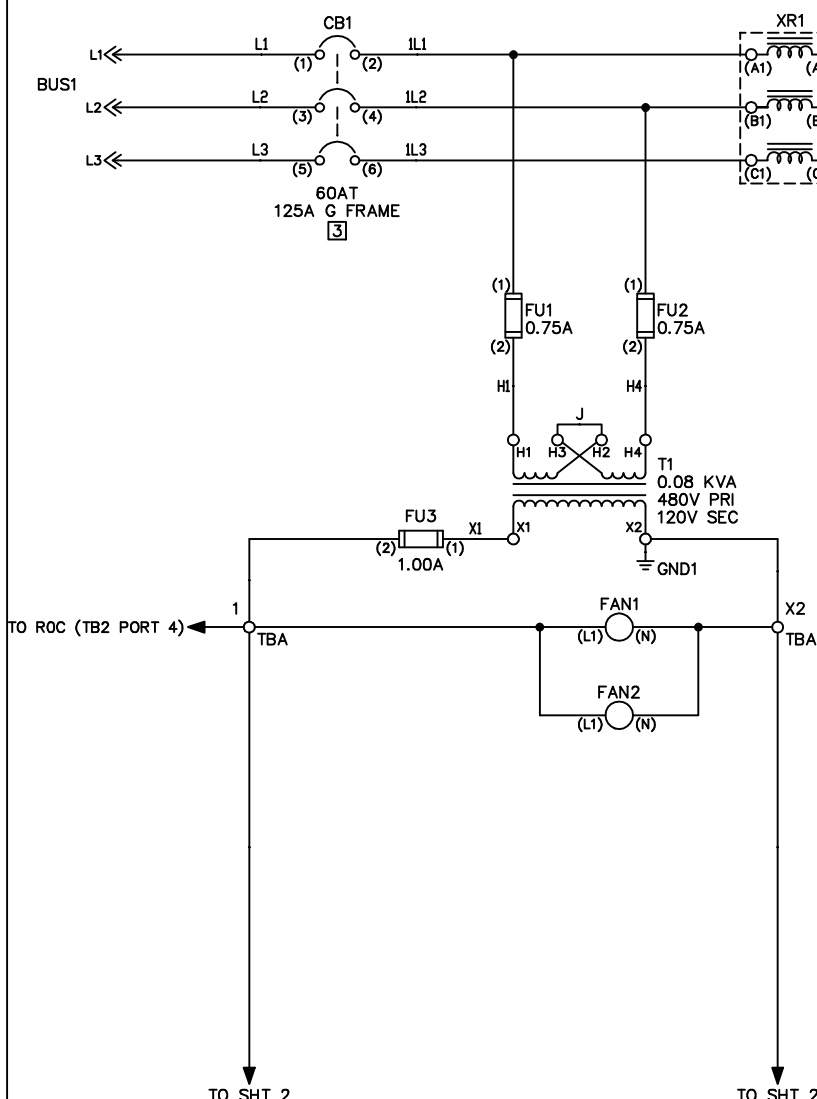
PROJ. DOC. TYPE: ELECTRICAL SCHEMATIC LANG: ENG DRAWN BY: CTO DATE: 23-JUL-18

SHEET 1 OF 2

SIZE: D 10004143428 VER: 00

NOTES

1. REMOTE DEVICE.
2. REFER TO DRIVE USER MANUAL FOR APPLICATION DATA.
3. UNIT SHORT CIRCUIT CURRENT RATING CAN BE FOUND ON THE ONE-LINE (WHERE APPLICABLE) OR ON THE UNIT NAMEPLATE.
4. FOR ETHERNET/IP ORDERS, ETHERNET CABLE CONNECTED TO ADAPTER IN WIREWAY OR DIRECTLY TO SWITCH. FOR ALL OTHER ORDERS, NO CONNECTION IS MADE.
5. RUN IS PORT 0, R0
 PORT 0: P230 [R00 Sel] =
 PORT 0: P935 [Drive Status 1],
 BIT 16 [Running]
 AT SPEED IS I/O MODULE PORT 4, R0
 PORT 4: P10 [R00 Sel] =
 PORT 0: P935 [Drive Status 1],
 BIT 8 [At-Speed]



TORQUE ALL FIELD CONNECTIONS TO THE VALUE SPECIFIED IN THE CUSTOMER WIRING TORQUE SPECIFICATION TABLE. ALL FACTORY WIRED CONNECTIONS HAVE BEEN PROPERLY TORQUED AND NEED NOT BE CHECKED. REFER TO 40110-922 FOR FACTORY WIRING TORQUE SPECS

CUSTOMER WIRING TORQUE SPECS (±10%)	
Fuse Clamp Screw w/Fuses (40A Only)	30 lb-in(3.4 Nm)
Load Cable Connection at Drive Power Terminal Blocks	11 lb-in(1.2 Nm)
Drive Main Control Terminal Blocks -- TB1, TB2 & TB3	2 lb-in(0.2 Nm)
C.B. Internal Device TB and External Auxiliary Contacts	7 lb-in(0.8 Nm)
Control Wire Connections at Control Terminal Blocks	6 lb-in(0.7 Nm)
Load Cable Connection at Power Terminal Blocks	30 lb-in(3.4 Nm)
Ground Wire to Horizontal Ground Bus	65 lb-in(7.3 Nm)

NOTATION (used in above notes)
 P = PARAMETER
 (e.g. P158 = PARAMETER 158)

DRIVE LEGEND

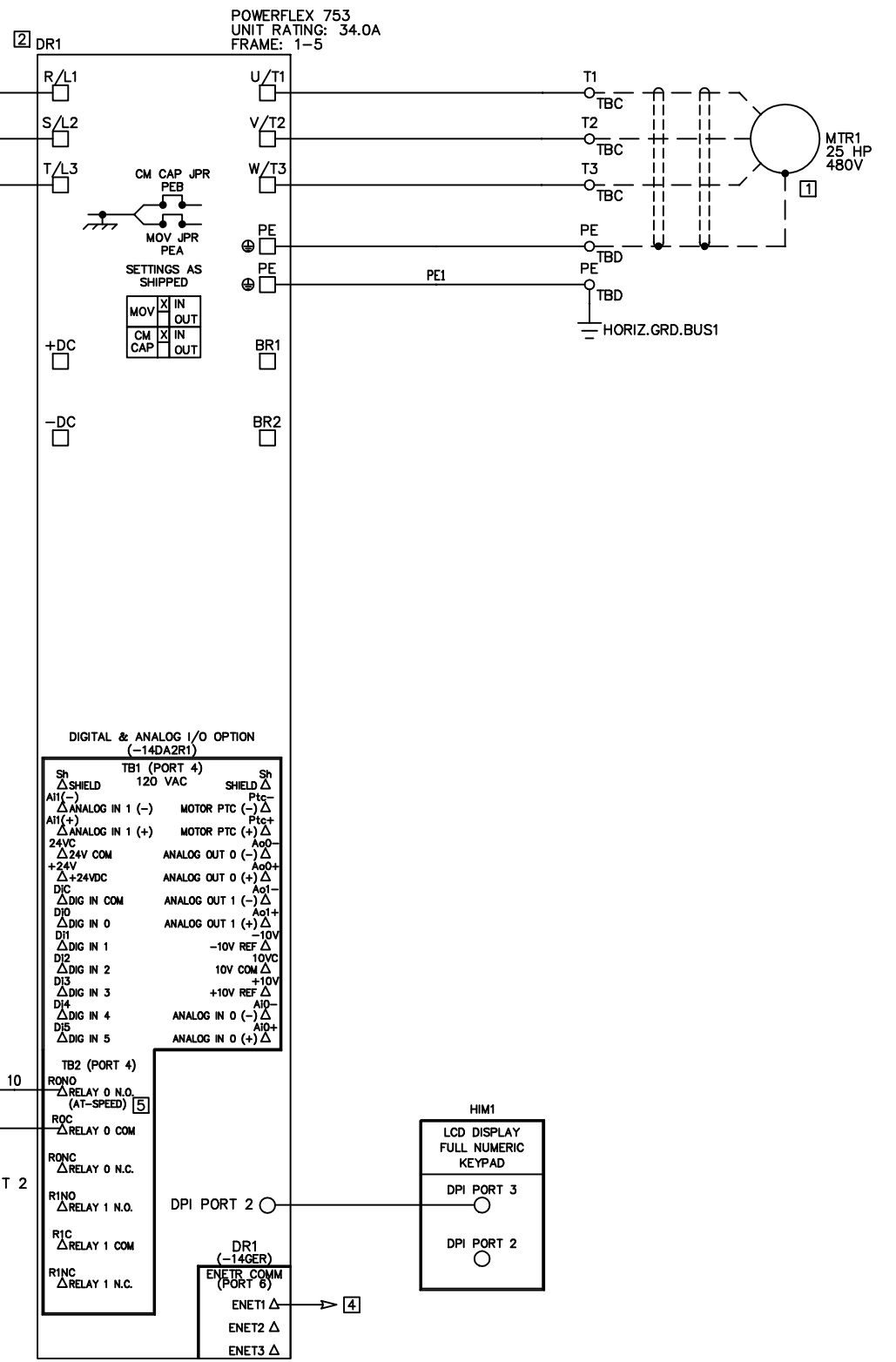
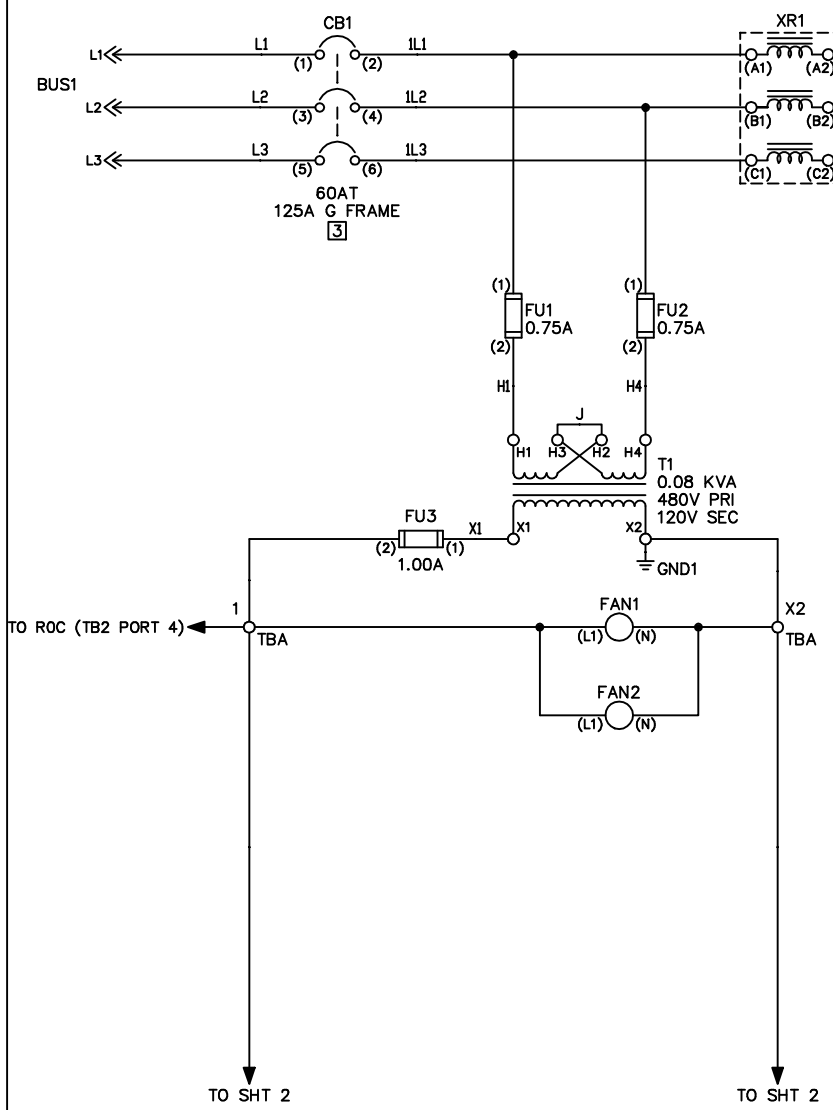
- POWER TERMINAL
- △ CONTROL TERMINAL

REV	APPROVED	DATE	STAGE	PROJECT:
				CUSTOMER:
				ORDER-LINE NUMBER:
PROJ. DOC. TYPE: ELECTRICAL SCHEMATIC				LANG: ENG

2163U 27 AMP FLEX 753 VFD N.D.

SHEET 1 OF 2	
SIZE D	VER 00
10004143430	

- NOTES**
1. REMOTE DEVICE.
 2. REFER TO DRIVE USER MANUAL FOR APPLICATION DATA.
 3. UNIT SHORT CIRCUIT CURRENT RATING CAN BE FOUND ON THE ONE-LINE (WHERE APPLICABLE) OR ON THE UNIT NAMEPLATE.
 4. FOR ETHERNET/IP ORDERS, ETHERNET CABLE CONNECTED TO ADAPTER IN WIREWAY OR DIRECTLY TO SWITCH. FOR ALL OTHER ORDERS, NO CONNECTION IS MADE.
 5. RUN IS PORT 0, R0
 PORT 0: P230 [R00 Sel] =
 PORT 0: P935 [Drive Status 1],
 BIT 16 [Running]
 AT SPEED IS I/O MODULE PORT 4, R0
 PORT 4: P10 [R00 Sel] =
 PORT 0: P935 [Drive Status 1],
 BIT 8 [At-Speed]



TORQUE ALL FIELD CONNECTIONS TO THE VALUE SPECIFIED IN THE CUSTOMER WIRING TORQUE SPECIFICATION TABLE. ALL FACTORY WIRE CONNECTIONS HAVE BEEN PROPERLY TORQUED AND NEED NOT BE CHECKED. REFER TO 40110-922 FOR FACTORY WIRING TORQUE SPECS

CUSTOMER WIRING TORQUE SPECS (±10%)	
Fuse Clamp Screw w/Fuses (40A Only)	30 lb-in(3.4 Nm)
Load Cable Connection at Drive Power Terminal Blocks	11 lb-in(1.2 Nm)
Drive Main Control Terminal Blocks -- TB1, TB2 & TB3	2 lb-in(0.2 Nm)
C.B. Internal Device TB and External Auxiliary Contacts	7 lb-in(0.8 Nm)
Control Wire Connections at Control Terminal Blocks	6 lb-in(0.7 Nm)
Load Cable Connection at Power Terminal Blocks	30 lb-in(3.4 Nm)
Ground Wire to Horizontal Ground Bus	65 lb-in(7.3 Nm)

NOTATION (used in above notes)
 P = PARAMETER
 (e.g. P158 = PARAMETER 158)

DRIVE LEGEND
 □ POWER TERMINAL
 △ CONTROL TERMINAL

REV	APPROVED	DATE	STAGE	PROJECT:
				CUSTOMER:
				ORDER-LINE NUMBER:
PROJ. DOC. TYPE: ELECTRICAL SCHEMATIC				LANG: ENG

Rockwell Automation

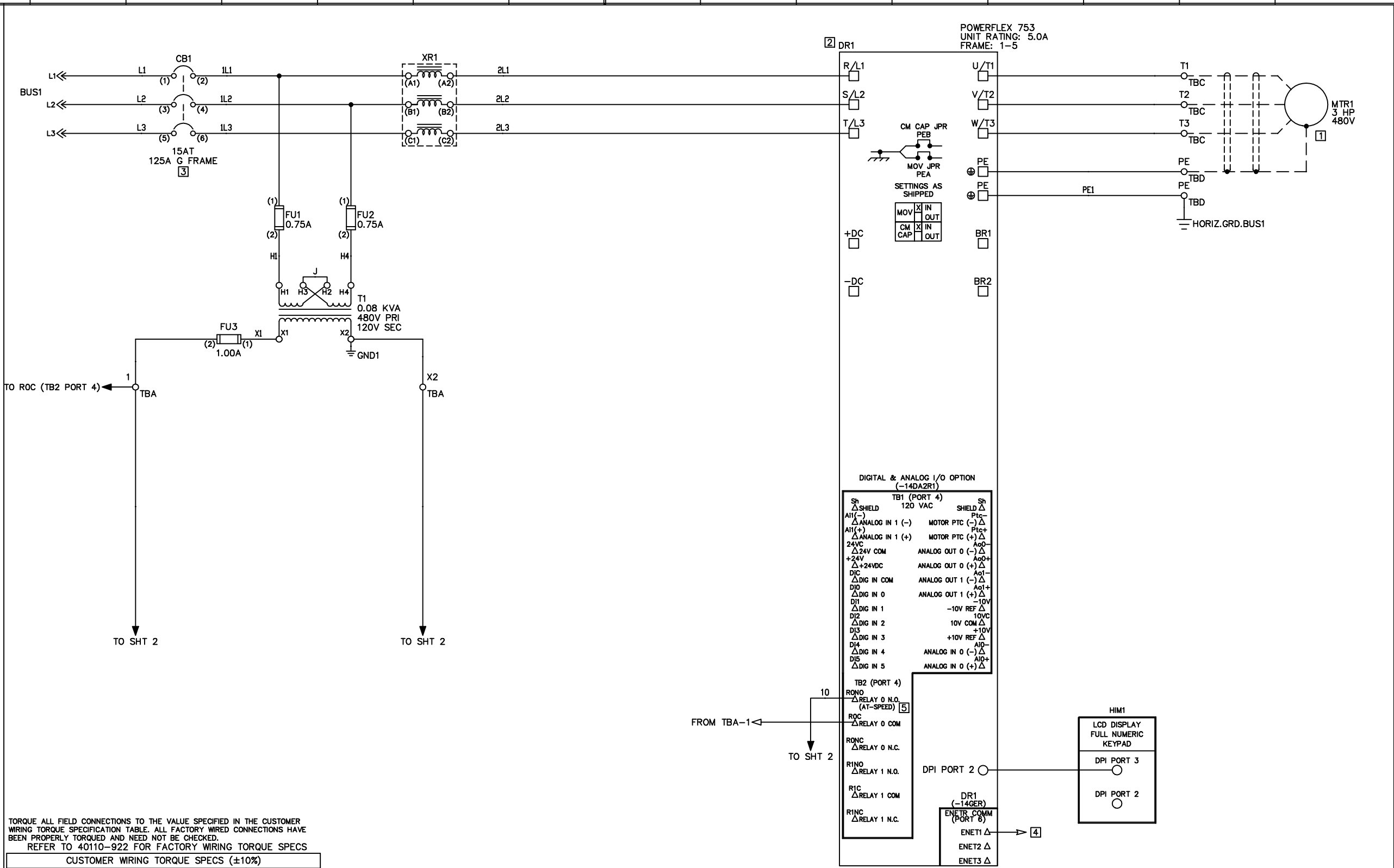
2163U 34 AMP FLEX 753 VFD N.D.

SHEET 1 OF 2

SIZE: D 10004143432 VER: 00

DRAWN BY: CTO DATE: 23-JUL-18

- NOTES**
1. REMOTE DEVICE.
 2. REFER TO DRIVE USER MANUAL FOR APPLICATION DATA.
 3. UNIT SHORT CIRCUIT CURRENT RATING CAN BE FOUND ON THE ONE-LINE (WHERE APPLICABLE) OR ON THE UNIT NAMEPLATE.
 4. FOR ETHERNET/IP ORDERS, ETHERNET CABLE CONNECTED TO ADAPTER IN WIREWAY OR DIRECTLY TO SWITCH. FOR ALL OTHER ORDERS, NO CONNECTION IS MADE.
 5. RUN IS PORT 0, R0
 PORT 0: P230 [R00 Sel] =
 PORT 0: P935 [Drive Status 1], BIT 16 [Running]
 AT SPEED IS I/O MODULE PORT 4, R0
 PORT 4: P10 [R00 Sel] =
 PORT 0: P935 [Drive Status 1], BIT 8 [At-Speed]



TORQUE ALL FIELD CONNECTIONS TO THE VALUE SPECIFIED IN THE CUSTOMER WIRING TORQUE SPECIFICATION TABLE. ALL FACTORY WIRED CONNECTIONS HAVE BEEN PROPERLY TORQUED AND NEED NOT BE CHECKED. REFER TO 40110-922 FOR FACTORY WIRING TORQUE SPECS

CUSTOMER WIRING TORQUE SPECS (±10%)	
Load Cable Connection at Drive Power Terminal Blocks	5 lb-in(0.6 Nm)
Drive Main Control Terminal Blocks -- TB1, TB2 & TB3	2 lb-in(0.2 Nm)
C.B. Internal Device TB and External Auxiliary Contacts	7 lb-in(0.8 Nm)
Control Wire Connections at Control Terminal Blocks	6 lb-in(0.7 Nm)
Load Cable Connection at Power Terminal Blocks (Without Line/Load Reactor)	30 lb-in(3.4 Nm)
Load Cable Connection at Power Terminal Blocks (2.1-8.0A w/Load Reactor Only)	12 lb-in(1.3 Nm)
Load Cable Connection at Power Terminal Blocks (2.1-22.0A w/ Line Reactor Only)	30 lb-in(3.4 Nm)
Load Cable Connection at Power Terminal Blocks (11.0-22.0A w/ Load Reactor Only)	30 lb-in(3.4 Nm)
Ground Wire to Horizontal Ground Bus	65 lb-in(7.3 Nm)

NOTATION (used in above notes)
 P = PARAMETER
 (e.g. P158 = PARAMETER 158)

DRIVE LEGEND

□ POWER TERMINAL
 △ CONTROL TERMINAL

REV	APPROVED	DATE	STAGE	PROJECT:
				CUSTOMER:
				ORDER-LINE NUMBER:

Rockwell Automation

2163U 5 AMP FLEX 753 VFD H.D

DATE: 23-JUL-18

PROJ. DOC. TYPE: ELECTRICAL SCHEMATIC

LANG: ENG

DRAWN BY: CTO

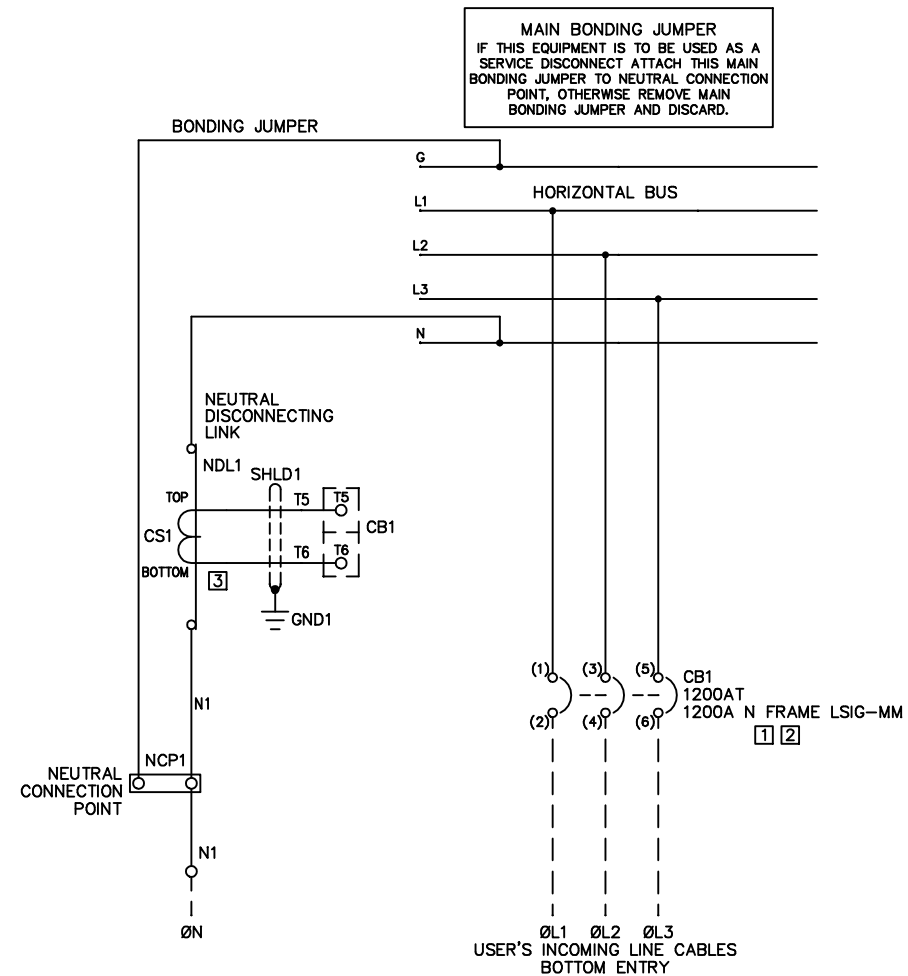
SHEET 1 OF 2

SIZE D 10004143434

VER 00

NOTES

1. UNIT SHORT CIRCUIT CURRENT RATING CAN BE FOUND ON THE ONE-LINE (WHERE APPLICABLE) OR ON THE UNIT NAMEPLATE.
2. REFER TO 140G USER MANUAL FOR ADDITIONAL INFORMATION ON CONFIGURING THE CIRCUIT BREAKER.
3. IF THE SYSTEM NEUTRAL IS GROUNDED AND PHASE TO NEUTRAL LOADS ARE USED, THE NEUTRAL CURRENT SENSOR MUST BE USED.
IF THE SYSTEM NEUTRAL IS GROUNDED, BUT NO PHASE TO NEUTRAL LOADS ARE USED, THE NEUTRAL CURRENT SENSOR NOT NECESSARY.
T5 AND T6 ARE USED WITH THE NEUTRAL CURRENT SENSOR. SECONDARY CONNECTIONS OF CURRENT SENSOR MUST BE CONNECTED TO A LOAD OR SHORTED TOGETHER AND GROUNDED TO AVOID A HIGH VOLTAGE ACROSS SECONDARY LEADS. REFER TO CIRCUIT BREAKER MANUFACTURER'S LITERATURE SUPPLIED.



MAIN BONDING JUMPER
IF THIS EQUIPMENT IS TO BE USED AS A SERVICE DISCONNECT ATTACH THIS MAIN BONDING JUMPER TO NEUTRAL CONNECTION POINT, OTHERWISE REMOVE MAIN BONDING JUMPER AND DISCARD.

⚠ DANGER: ELECTRIC SHOCK HAZARD
RISK OF SEVERE INJURY OR DEATH
LINE SIDE OF POWER CONNECTED TO BOTTOM OF SWITCH
DISCONNECT AND LOCKOUT ALL POWER SOURCES BEFORE SERVICING

TORQUE ALL FIELD CONNECTIONS TO THE VALUE SPECIFIED IN THE CUSTOMER WIRING TORQUE SPECIFICATION TABLE. ALL FACTORY WIRED CONNECTIONS HAVE BEEN PROPERLY TORQUED AND NEED NOT BE CHECKED.
REFER TO 40110-920 FOR FACTORY WIRING TORQUE SPECS

CUSTOMER WIRING TORQUE SPECS (±10%)		
Line Cable Connections:		
#4/0-500 kcmil CU		381 lb-in(43 Nm)
#4/0-500 kcmil CU/AL		381 lb-in(43 Nm)
Line Lug Attachment		540 lb-in(61 Nm)
Bonding Jumper to Neutral Lug Pad		225 lb-in(25 Nm)
Neutral Cable Connection		500 lb-in(56 Nm)
Incoming Neutral Lug Attachment Bolt		540 lb-in(61 Nm)
C.B. Internal Device TB and External Auxiliary Contacts		7 lb-in(0.8 Nm)
22.5 mm DSA		5 lb-in(0.6 Nm)

REV	APPROVED	DATE	STAGE	PROJECT:
				CUSTOMER:
				ORDER-LINE NUMBER:
PROJ. DOC. TYPE: ELECTRICAL SCHEMATIC				LANG: ENG

		CONFIDENTIAL AND PROPRIETARY INFORMATION. THIS DOCUMENT CONTAINS CONFIDENTIAL AND PROPRIETARY INFORMATION OF ROCKWELL AUTOMATION, INC. AND MAY NOT BE USED, COPIED OR DISCLOSED TO OTHERS EXCEPT WITH THE AUTHORIZED WRITTEN PERMISSION OF ROCKWELL AUTOMATION INC.	
		SHEET 1 OF 1	SIZE D
2193M 1200 AF MAIN CB		10004143436	DATE: 23-JUL-18

Recommended Spare Part List

Rockwell Automation Order Number:

6504076569

Date:

4/18/2024

Spare Parts

Quotation/Order Number: 6504076569

LineItemNumbers: 000500

Created On: 4/18/2024

ReferenceNumbers: 05184257-0005

Business Unit: LVMCC_2100

Customer Name: Rexel

Project Name/ID: BOREAS OTF MCC

Critical or Intelligent Spare Parts are highlighted with Bold Text:

Quantity	Unit Location	Spare Part #	Spare Part Description	List Price	Min/Max Quantity
4	02A, 02C, 2E, 02E	140G-G6C3-C20	140G-G Molded Case Circuit Breaker, 65 kA, T/M - Fixed Thermal / Fixed Magnetic TMF, Rated Current 20 A		1/1
3	02G, 2J, 02J	140G-G6C3-C50	140G-G Molded Case Circuit Breaker, 65 kA, T/M - Fixed Thermal / Fixed Magnetic TMF, Rated Current 50 A		1/1
4	01J, 01L, 02L, 1J	140G-G6C3-D12	140G-G Molded Case Circuit Breaker, 65 kA, T/M - Fixed Thermal / Fixed Magnetic TMF, Rated Current 125 A		1/1
11	01J, 01L, 02A, 02C, 02E, 1J, 2E, 2J, 02G, 02J, 02L	140G-G-TLC13	140G-G Terminal Lug, FCCu 1x14-1/0(2.5-50)		1/2
2	1E, 01E	140G-J6F3-D15	140G-J Molded Case Circuit Breaker, 65kA, T/M - Adjustable Thermal/Adjustable Magnetic TMA, Rated Current 150 A		1/1
2	1E, 01E	140G-J-EXT3	140G-J Extend Terminal, 3 Pole		1/1

Quantity	Unit Location	Spare Part #	Spare Part Description	List Price	Min/Max Quantity
2	1E, 01E	140G-J-TLC13	140G-J Terminal Lug, FCCu 1x10-250(6-185)		1/1
8	1C, 01C	1492-CA1	1492 No bulk Pack, Single Block White		1/1
6	1C, 01C	1492-CE6	1492 No bulk Pack, Single Block White		1/1
4	1C, 01C	1492-CE9	1492 No bulk Pack, Single Block White		1/1
2	1C, 01C	1492-N17	1492 End Barrier, White		1/1
2	1C, 01C	2100H-1494UDS30UF	1494U DISC 30A, UNFUSED		1/1
2	1C, 01C	2100H-1494ULG	1494U Line Guard		1/1
2	CAB 1, CAB 2	2100H-N1A1C	Bottom Closing Plate, 15 In Deep Corner, W/Gasket MCC (Non-Gasketed Plates)		1/1
11	CAB 1, CAB 2	2100H-UJ1 X	Unit Support Pan, Style 3, 1.0 SF, NEMA Enclosure Type 1 w/Gasket and Type 12		1/2
12	01A, 01C, 01E, 01J, 02E, 02J	2100R-DL141621	DR.LATCH ASSEM.		1/2
4	01E, 01J, 02E, 02J	2100R-DLHPL	DOOR LATCH ASSY		1/1
3	1	2100R-SCAB	SPLICE COVER ASM		1/1
15	01C, 01E, 01J, 1C, 1E, 1J, 2E, 01L, 02A, 02C, 02E, 2J, 02G, 02J, 02L	2100R-VSGO	VERT. GRND. BUS STAB ASSY		1/2
1	01C	BOM 22901-002-17	AC Ammeter 0-600		1/1
1	01C	BOM 22951-003-01	AC Voltmeter 0-600		1/1
1	01C	BOM 25135-012-01	Voltmeter Switch 4 Position, for use with 2 Potential Transformers, 600V		1/1
2	1C, 01C	BOM 25172-260-20	Cktpro Fuse Fast Act 600V 10A Cartridge		1/1

Quantity	Unit Location	Spare Part #	Spare Part Description	List Price	Min/Max Quantity
4	1C, 01C	BOM 25645-008-08	Current Transformer, 600:5		1/1
2	1C, 01C	BOM 25646-001-02	Potential Voltage Transformer, 480V/120V, 4:1		1/1
6	04A, 05F	BOM PN-106807	LUG #6-1 HOLE-1/4 IN STUD		1/1
3	01A	BOM PN-106823	LUG 1/0-1 HOLE-3/8 IN STUD		1/1
2	1C, 01C	BOM PN-388481	1494U Disconnect Switch, 30A, Unfused		1/1

Spare Parts

Quotation/Order Number: 6504076569

LineItemNumbers: 000600

Created On: 4/18/2024

ReferenceNumbers: 05184257-0006

Business Unit: LVMCC_2100

Customer Name: Rexel

Project Name/ID: BOREAS OTF MCC

Critical or Intelligent Spare Parts are highlighted with Bold Text:

Quantity	Unit Location	Spare Part #	Spare Part Description	List Price	Min/Max Quantity
4	06A, 6A, 12C, 11C	100-FSV136	100-F Surge Suppressor, Varistor Module, 56...136VAC / 78...180VDC		1/1
4	03C, 03H, 04H, 3H	1321-3R18-B	1321 Three-Phase Line Reactor, Open, 18 Amps, 0.15 mh		1/1
5	10A, 13A, 10A, 13A, 13G	1321-3R35-B	1321 Three-Phase Line Reactor, Open, 35 Amps, 0.8 mh		1/1
4	07H, 08H, 09H, 7H	1321-3R8-C	1321 Three-Phase Line Reactor, Open, 8 Amps, 5.0 mh		1/1
6	001	1401-N55	Fuse Clip Kit		1/1
6	5K, 7H, 05K, 07H, 08H, 09H	140G-G6C3-C15	140G-G Molded Case Circuit Breaker, 65 kA, T/M - Fixed Thermal / Fixed Magnetic TMF, Rated Current 15 A		1/1
2	9E, 09E	140G-G6C3-C20	140G-G Molded Case Circuit Breaker, 65 kA, T/M - Fixed Thermal / Fixed Magnetic TMF, Rated Current 20 A		1/1

Quantity	Unit Location	Spare Part #	Spare Part Description	List Price	Min/Max Quantity
8	03C, 03H, 3H, 9C, 04E, 5C, 04H, 05C	140G-G6C3-C30	140G-G Molded Case Circuit Breaker, 65 kA, T/M - Fixed Thermal / Fixed Magnetic TMF, Rated Current 30 A		1/1
7	10A, 11C, 10A, 13A, 13A, 13G, 12C	140G-G6C3-C60	140G-G Molded Case Circuit Breaker, 65 kA, T/M - Fixed Thermal / Fixed Magnetic TMF, Rated Current 60 A		1/1
6	9C, 5C, 04E, 05C, 9E, 09E	140G-G-TLC13	140G-G Terminal Lug, FCCu 1x14-1/0(2.5-50)		1/1
8	10G, 10K, 11G, 10G, 11K, 12G, 11K, 12K	140G-J6F3-D17	140G-J Molded Case Circuit Breaker, 65kA, T/M - Adjustable Thermal/Adjustable Magnetic TMA, Rated Current 175 A		1/1
2	1A, 01A	140G-J6F3-D20	140G-J Molded Case Circuit Breaker, 65kA, T/M - Adjustable Thermal/Adjustable Magnetic TMA, Rated Current 200 A		1/1
2	6A, 06A	140G-J6F3-D25	140G-J Molded Case Circuit Breaker, 65kA, T/M - Adjustable Thermal/Adjustable Magnetic TMA, Rated Current 250 A		1/1
12	01A, 06A, 10G, 10K, 11G, 11K, 1A, 6A, 10G, 11K, 12G, 12K	140G-J-EXT3	140G-J Extend Terminal, 3 Pole		1/2
10	01A, 10G, 10K, 11G, 11K, 12G, 1A, 10G, 11K, 12K	140G-J-TLC13	140G-J Terminal Lug, FCCu 1x10-250(6-185)		1/1
4	02A, 2A, 2J, 02J	140G-K6X3	140G-K Frame Molded Case Circuit Breaker, 65kA 400A 3p		1/1
2	2A, 02A	140G-KTH3-D30	140G-K Molded Case Circuit Breaker Trip Unit, Electronic LSI, High Instant, Rated Current 300 A		1/1

Quantity	Unit Location	Spare Part #	Spare Part Description	List Price	Min/Max Quantity
2	2J, 02J	140G-KTH3-D40	140G-K Molded Case Circuit Breaker Trip Unit, Electronic LSI, High Instant, Rated Current 400 A		1/1
2	2A, 02A	140G-K-TLC13	140G-K Terminal Lug, FCCu 1x250-500(120-240)		1/1
2	2J, 02J	140G-K-TLC23	140G-K Terminal Lug, FCCu 2x2/0-250(95-120)		1/1
1	01D	140G-N6K3-E12	MCCB 140G-N 65kA/480V LSI MM 1200A 3P		1/1
1	01D	140G-N-NCTE16	140G-N Ext. Neutral Current Transformer 400..1600A		1/1
1	01D	140G-N-TLC43	140G-N Terminal Lug, FCCu 4x4/0-500(70-240)		1/1
11	04A, 04C, 05E, 07A, 07C, 07E, 08A, 08C, 09A, 12A, 8E	140MG-G8P-C15	140MG - Motor Circuit Protectors, G frame, 35-65kA, 480V, MCP (magnetic only), Rated Current 15 A		1/2
4	03A, 05G, 09F, 3A	140MG-G8P-C30	140MG - Motor Circuit Protectors, G frame, 35-65kA, 480V, MCP (magnetic only), Rated Current 30 A		1/1
1	02E	1426-DM	PanelView Display Module 4 Inputs - 4 Outputs		1/1
2	2E, 02E	1426-M5E	Bulletin 1426 PowerMonitor 5000 M5 , Base Power Quality Meter		1/1
2	5K, 05K	1489-M1C040	TERMINAL STRIP ASSY WITH 1606-XLSDNET8		1/1
30	6A, 06A	1492-CA1	1492 No bulk Pack, Single Block White		1/3
8	2E, 02E	1492-CE9	1492 No bulk Pack, Single Block White		1/1
10	2E, 5K, 02E, 05A, 05K, 11A	1492-EAJ35	1492 End Anchor, Used w/ Standard 35mm Din Rail		1/1
15	05K, 5K, CAB 1, CAB 2, CAB 3, CAB 4, CAB 5, CAB 6, CAB 7, CAB 8, CAB 9, CAB 10, CAB 11, CAB 12, CAB 13	1492-EBJ3	1492 End Barrier, Gray Standard		1/2

Quantity	Unit Location	Spare Part #	Spare Part Description	List Price	Min/Max Quantity
2	05A, 11A	1492-EBJ4Q	1492 End Barrier, Gray Standard		1/1
36	03A, 04A, 04C, 05E, 05G, 07A, 07C, 3A, 8E, 07E, 08A, 08C, 09A, 09F, 11C, 12C, 12A	1492-EC85	5 Pole Pull apart Control Terminal Block		1/4
43	03A, 03C, 03H, 04A, 04C, 04H, 05E, 05G, 07A, 07C, 3A, 3H, 8E, 7H, 07E, 07H, 08A, 08C, 08H, 09A, 09F, 09H, 10A, 13A, 12C, 10A, 11C, 12A, 13A, 13G	1492-ED103	3 Pole Pull-apart Power Terminal Block		1/5
26	2E, 02E	1492-H1	1492 H-Block, Code 1, White, No Bulk Pack Single Block		1/3
2	5K, 05K	1492-J10	1492-J IEC Terminal Block, One-Circuit Feed-Through Block, 10 mm, Gray		1/1
15	05A, 11A, CAB 1, CAB 2, CAB 3, CAB 4, CAB 5, CAB 6, CAB 7, CAB 8, CAB 9, CAB 10, CAB 11, CAB 12, CAB 13	1492-J2Q-B	1492-J IEC Terminal Block, 1-Circuit Feed-Through, 1.5 mm, Blue		1/2

Quantity	Unit Location	Spare Part #	Spare Part Description	List Price	Min/Max Quantity
15	05A, 11A, CAB 1, CAB 2, CAB 3, CAB 4, CAB 5, CAB 6, CAB 7, CAB 8, CAB 9, CAB 10, CAB 11, CAB 12, CAB 13	1492-J2Q-W	1492-J IEC Terminal Block, 1-Circuit Feed-Through, 1.5 mm, White		1/2
2	5K, 05K	1492-J3TW-B	1492-J IEC Terminal Block, One-Circuit Feed-Through Block, 2.5 mm, Blue		1/1
2	5K, 05K	1492-J3TW-W	1492-J IEC Terminal Block, One-Circuit Feed-Through Block, 2.5 mm, White		1/1
2	05A, 11A	1492-JG4Q	1492-J IEC Term Block, 1-Circuit Feed-Through, 4 mm, Green-Yellow		1/1
62	05A, 05K, 5K, 11A, CAB 1, CAB 2, CAB 3, CAB 4, CAB 5, CAB 6, CAB 7, CAB 8, CAB 9, CAB 10, CAB 11, CAB 12, CAB 13	1492-M5X12	1492-M Snap-In Individual Marker Card, 5 mm x 12 mm		1/7
2	5K, 05K	1492-MS8X12	1492-M Snap-In Individual Marker Card, 8 mm x 12 mm		1/1
2	2E, 02E	1492-N17	1492 End Barrier, White		1/1
4	2E, 02E	1492-N23	1492 End Anchor, A-B Rail - Heavy Duty		1/1
3	12C, 02A, 11C	1494F-FS60-NP	60 A Fuse Block		1/1
13	03C, 03H, 04H, 07H, 08H, 09H, 10A, 3H, 7H, 10A, 13A, 13A, 13G	1497-B-BASX-3-N-MA	BUL 1497 Transformer 80VA, 2 Pri- 1 Sec Fuse Blocks		1/2

Quantity	Unit Location	Spare Part #	Spare Part Description	List Price	Min/Max Quantity
17	02E, 03A, 04A, 04C, 05E, 05G, 07A, 07C, 07E, 08A, 08C, 09A, 09F, 2E, 3A, 8E, 12A	1497-C-BASX-0-N	BUL 1497 Transformer 130VA, 0 Pri- 0 Sec Fuse Blocks		1/2
2	6A, 06A	1497-D-BASX-3-N	BUL 1497 Transformer 200VA, 2 Pri- 1 Sec Fuse Blocks		1/1
2	12C, 11C	1497-E-BASX-3-N	BUL 1497 Transformer 250VA, 2 Pri- 1 Sec Fuse Blocks		1/1
2	5K, 05K	1497-F-BASX-3-N	BUL 1497 Transformer 350VA, 2 Pri- 1 Sec Fuse Blocks		1/1
2	6A, 06A	150-F201NBD	SMC-Flex, Solid State Controller, Open, 201A, 75...150Hp @ 460V AC, Input Volt.: 200...480V, Control Volt.: 100...240V AC		1/1
2	12C, 11C	150-F43NBD	SMC-Flex, Solid State Controller, Open, 43 A, 7.5...30Hp @ 460V AC, Input Volt.: 200...480V, Control Volt.: 100...240V AC		1/1
2	2E, 02E	1606-XLP15E	1606-X Compact Power Supply, 24-28V DC, 15 W, 120/240V AC / 85-375V DC Input Voltage		1/1
2	5K, 05K	1606-XLS240E	1606-XL Performance Power Supply, 24-48V DC, 240 W, 120/240V AC / 100-150V DC Input Voltage		1/1
2	5K, 05K	1606-XLSBUFFER24	TERMINAL STRIP ASSY WITH 1606-XLSDNET8		1/1
2	05A, 11A	1783-BMS10CL	Stratix 5700 Switch, Managed, 8 Fast Ethernet Copper Ports, 2 Fast Ethernet Combo Ports, Lite Software		1/1
2	05A, 11A	1783-BMS20CL	Stratix 5700 Switch, Managed, 16 Fast Enet Copper Ports, 2 Fast Enet Combo Ports, 2 Fast Enet Fiber SFP Slots, Lite Software		1/1
15	03A, 04A, 04C, 05E, 05G, 07A, 07C, 07E, 08A, 08C, 09A, 09F, 3A, 8E, 12A	193-ECM-ETR	E300 EtherNet/IP Communication Module		1/2

Quantity	Unit Location	Spare Part #	Spare Part Description	List Price	Min/Max Quantity
15	03A, 04A, 04C, 05E, 05G, 07A, 07C, 07E, 08A, 08C, 09A, 09F, 3A, 8E, 12A	193-EIO-43-120	E300/E200 120V AC Control Module		1/2
15	03A, 04A, 04C, 05E, 05G, 07A, 07C, 07E, 08A, 08C, 09A, 09F, 3A, 8E, 12A	193-ESM-I-30A-T	E300 30A Current Sensing Module (0.5...30 A) DIN Rail/Panel Mount with Line- and Load-side Power Conductor Terminals		1/2
13	03C, 03H, 04H, 07H, 08H, 09H, 10A, 3H, 7H, 10A, 13A, 13A, 13G	20-750-2262D-2R	PowerFlex 750 115V AC I/O Option module		1/2
13	03C, 03H, 04H, 07H, 08H, 09H, 10A, 3H, 7H, 10A, 13A, 13A, 13G	20-750-ENETR	PowerFlex Dual-port EtherNet/IP Module		1/2
4	03C, 03H, 04H, 3H	20F11ND014AA0NNNNN	PowerFlex 753 AC Drive, with Embedded I/O, Air Cooled, AC Input with DC Terminals, Open Type, 14 Amps		1/1
3	13A, 13G, 13A	20F11ND027AA0NNNNN	PowerFlex 753 AC Drive, with Embedded I/O, Air Cooled, AC Input with DC Terminals, Open Type, 27 Amps		1/1
2	10A, 10A	20F11ND034AA0NNNNN	PowerFlex 753 AC Drive, with Embedded I/O, Air Cooled, AC Input with DC Terminals, Open Type, 34 Amps		1/1

Quantity	Unit Location	Spare Part #	Spare Part Description	List Price	Min/Max Quantity
4	07H, 08H, 09H, 7H	20F11ND5P0AA0NNNNN	PowerFlex 753 AC Drive, with Embedded I/O, Air Cooled, AC Input with DC Terminals, Open Type, 5 Amps		1/1
2	06A, 11C	20-HIM-A3	PowerFlex Arch Class HIM, LCD Display, Full Num Keypad		1/1
4	03H, 07H, 10A, 13A	20-HIM-A6	PowerFlex Architecture Class Enhanced HIM, NEMA 1		1/1
6	03H, 06A, 07H, 10A, 11C, 13A	20-HIM-B1	PowerFlex Architecture Class HIM, Nema 1 Bezel Kit		1/1
2	2E, 02E	2100H-1494UDS30UF	1494U DISC 30A, UNFUSED		1/1
2	2E, 02E	2100H-1494ULG	1494U Line Guard		1/1
12	CAB 1, CAB 2, CAB 3, CAB 4, CAB 6, CAB 7, CAB 8, CAB 9, CAB 10, CAB 11, CAB 12, CAB 13	2100H-N1A1C	Bottom Closing Plate, 15 In Deep Corner, W/Gasket MCC (Non-Gasketed Plates)		1/2
7	1	2100H-NC1	Horizontal Ground Bus Splice Kit, 0.25 x 1 In Unplated Copper Bus		1/1
37	CAB 1, CAB 2, CAB 3, CAB 4, CAB 5, CAB 7, CAB 8, CAB 9, CAB 10, CAB 11, CAB 12, CAB 13	2100H-UJ1 X	Unit Support Pan, Style 3, 1.0 SF, NEMA Enclosure Type 1 w/Gasket and Type 12		1/4
5	06A	2100R-DL12B21	DOOR LATCH ASSY.		1/1
41	01A, 01D, 02A, 02E, 02J, 03A, 03H, 04C, 04E, 05A, 05C, 05K, 07H, 10A, 10G, 11A, 11C, 11K, 13A	2100R-DL141621	DR.LATCH ASSEM.		1/5

Quantity	Unit Location	Spare Part #	Spare Part Description	List Price	Min/Max Quantity
1	01D	2100R-DL1416SE	DOOR LATCH ASM		1/1
9	01A, 01D, 02A, 02J, 04E, 05C, 10G, 11K	2100R-DLHPL	DOOR LATCH ASSY		1/1
12	1	2100R-SCAB	SPLICE COVER ASM		1/2
52	01A, 02A, 02E, 03A, 03C, 03H, 04A, 04C, 04E, 04H, 05C, 05E, 05G, 05K, 07A, 07C, 07E, 07H, 08A, 08C, 08H, 09A, 09E, 1A, 2E, 2A, 3A, 3H, 9C, 8E, 5K, 5C, 7H, 9E, 10A, 09F, 09H, 10A, 10G, 10K, 11C, 11G, 11K, 12A, 13A, 12C, 10G, 11K, 12G, 12K, 13A, 13G	2100R-VSGO	VERT. GRND. BUS STAB ASSY		1/6
15	03A, 04A, 04C, 05E, 05G, 07A, 07C, 07E, 08A, 08C, 09A, 09F, 3A, 8E, 12A	500F-BOD930	BUL 500F SZ 1 Contactor, Motor Loads, Feed-Through, 110V 50Hz /120V 60Hz, Open, 3 Power Poles		1/2
30	03A, 04A, 04C, 05E, 05G, 07A, 07C, 07E, 08A, 08C, 09A, 09F, 3A, 8E, 12A	595-AB	BUL 595 1 N.O. - 1 N.C. Auxiliary Contacts		1/3

Quantity	Unit Location	Spare Part #	Spare Part Description	List Price	Min/Max Quantity
4	06A, 6A, 12C, 11C	700-CF310D	Control Relay,3NO/1NC, 110V 50Hz/120V 60Hz		1/1
4	03H, 07H, 10A, 13A	800F-11WE193	800F Legend Plate, 30 X 40mm std, English, White with Black Legend Text "RUN "		1/1
4	03H, 07H, 10A, 13A	800F-11WE285	800F Legend Plate, 30 X 40mm std, English, White with Black Legend Text "AT SPEED"		1/1
4	03H, 07H, 10A, 13A	800F-ALE3	800F 22mm Illuminated Extended Push Button/Guarded Replacement Lens, Green		1/1
4	03H, 07H, 10A, 13A	800F-ALE4	800F 22mm Illuminated Extended Push Button/Guarded Replacement Lens, Red		1/1
10	03A, 03H, 04C, 07H, 10A, 13A	800F-ALP	800F 22 mm Plastic Mtg Latch Accessory		1/1
4	03H, 07H, 10A, 13A	800F-N5G	800F 22mm Integrated Green LED Module, 120V AC		1/1
4	03H, 07H, 10A, 13A	800F-N5R	800F 22mm Integrated Red LED Module, 120V AC		1/1
2	03A, 04C	800FP-F611	E300 LVMCC 800F 22mm Momentary Push Button - Plastic, Non-Illuminated, Flush, Blue		1/1
8	03H, 07H, 10A, 13A	800FP-LE9	800F 22mm Momentary Push Button - Plastic, Illuminated, Extended, No Lens		1/1
8	03H, 07H, 10A, 13A	800F-X01	800F 22mm Contact Block 1 N.C. Accessory		1/1
10	03A, 03H, 04C, 07H, 10A, 13A	800F-X10	800F 22mm Contact Block 1 N.O. Accessory		1/1

Quantity	Unit Location	Spare Part #	Spare Part Description	List Price	Min/Max Quantity
4	03A, 04C, 06A, 11C	800H-PRTH16G	800H 30mm Type 4/4X/13 Pilot Light, Xfmr, Push-to-Test, LED,Green, 120V AC 50/60 Hz, 1 NO-1 NC		1/1
4	03A, 04C, 06A, 11C	800H-PRTH16R	800H 30mm Type 4/4X/13 Pilot Light, Xfmr, Push-to-Test, LED,Red, 120V AC 50/60 Hz, 1 NO-1 NC		1/1
4	03H, 10A, 11C, 13A	BOM 22610-102-01	Axial Fan, 115VAC, 50/60Hz		1/1
15	03A, 04A, 04C, 05E, 05G, 07A, 07C, 07E, 08A, 08C, 09A, 09F, 3A, 8E, 12A	BOM 25162-179-02	Fuse Block 3 Poles, 30A, 600V		1/2
6	12C, 11C	BOM 25184-251-13	Cktpro Fuse Class J TD 600V 60A		1/1
6	6A, 06A	BOM 25184-251-24	Cktpro Fuse Class J TD 600V 250A		1/1
26	03C, 03H, 04H, 07H, 08H, 09H, 10A, 3H, 7H, 10A, 13A, 13A, 13G	BOM 25184-254-06	Cktpro Fuse Class CC TD 600V 0.75A		1/3
30	03A, 04A, 04C, 05E, 05G, 07A, 07C, 07E, 08A, 08C, 09A, 09F, 3A, 8E, 12A	BOM 25184-254-08	Cktpro Fuse Class CC TD 600V 1A		1/3
8	06A, 6A, 12C, 11C	BOM 25184-254-16	Cktpro Fuse Class CC TD 600V 2A		1/1
4	5K, 05K	BOM 25184-254-22	Cktpro Fuse Class CC TD 600V 3.5A		1/1
8	2E, 02E	BOM 25645-009-10	Current Transformer, 1200:5		1/1
2	2E, 02E	BOM 40121-441-51	1 Pole Fuse Block Non Rejection Feature		1/1

Quantity	Unit Location	Spare Part #	Spare Part Description	List Price	Min/Max Quantity
2	2E, 02E	BOM 40121-446-51	3 Poles Fuse Block with Rejection Feature		1/1
2	6A, 06A	BOM 40126-837-05	1494F 400A Fuse block with 400A "H,J" Clip, 600V		1/1
1	1	BOM 40137-146-01	TERMINAL BARRIER		1/1
13	03C, 03H, 04H, 07H, 08H, 09H, 10A, 3H, 7H, 10A, 13A, 13A, 13G	BOM 40137-565-01	Terminal Block Connector, 10 Positions, 5.08mm, Green, 12A		1/2
6	CAB 2, 10A, 10A	BOM PN-106806	LUG #8-1 HOLE-1/4 IN STUD		1/1
15	2A, 01A, 02A	BOM PN-106823	LUG 1/0-1 HOLE-3/8 IN STUD		1/2
1	1	BOM PN-195956	Ethernet Cables, 4 Conductors, RJ45, Patchcore PVC, Teal 600V, 1.6 Meter		1/1
3	1	BOM PN-195957	Ethernet Cables, 4 Conductors, RJ45, Patchcore PVC, Teal 600V, 2.0 Meter		1/1
6	1	BOM PN-195958	Ethernet Cables, 4 Conductors, RJ45, Patchcore PVC, Teal 600V, 2.5 Meter		1/1
4	1	BOM PN-195960	Ethernet Cables, 4 Conductors, RJ45, Patchcore PVC, Teal 600V, 3.0 Meter		1/1
4	1	BOM PN-195961	Ethernet Cables, 4 Conductors, RJ45, Patchcore PVC, Teal 600V, 4.0 Meter		1/1
2	1	BOM PN-303489	Ethernet Cables, 4 Conductors, RJ45, Patchcore PVC, Teal 600V, 0.3 Meter		1/1
3	1	BOM PN-303491	Ethernet Cables, 4 Conductors, RJ45, Patchcore PVC, Teal 600V, 3.5 Meter		1/1
3	1	BOM PN-303492	Ethernet Cables, 4 Conductors, RJ45, Patchcore PVC, Teal 600V, 4.5 Meter		1/1

Quantity	Unit Location	Spare Part #	Spare Part Description	List Price	Min/Max Quantity
2	1	BOM PN-303508	Ethernet Cables, 4 Conductors, RJ45, Patchcore PVC, Left Angle to Straight, Teal 600V, 2.5 Meter		1/1
1	1	BOM PN-303509	Ethernet Cables, 4 Conductors, RJ45, Patchcore PVC, Left Angle to Straight, Teal 600V, 3.5 Meter		1/1
2	2E, 02E	BOM PN-388481	1494U Disconnect Switch, 30A, Unfused		1/1
17	02E, 03A, 04A, 04C, 05E, 05G, 07A, 07C, 07E, 08A, 08C, 09A, 09F, 2E, 3A, 8E, 12A	BOM X-276120	Cktpro Fuse TD 250V 1.25A Cartridge		1/2
2	5K, 05K	BOM X-276122	Cktpro Fuse TD 250V 3.2A Cartridge		1/1
13	03C, 03H, 04H, 07H, 08H, 09H, 10A, 3H, 7H, 10A, 13A, 13A, 13G	BOM X-276126	Cktpro Fuse TD 250V 1A Cartridge		1/2
2	6A, 06A	BOM X-276132	Cktpro Fuse TD 250V 1.8A Cartridge		1/1
2	12C, 11C	BOM X-276133	Cktpro Fuse TD 250V 2.25A Cartridge		1/1