

**002-EF-10-2081**  
BUILDING EXHAUST FAN  
ENERTECH ET12-1  
16 ACPH

**002-EFM-10-2081**  
BUILDING EXHAUST FAN MOTOR  
1/4 HP 575V/3PH/60HZ, XP MOTOR

**002-UHG-10-2080**  
BUILDING HEATER  
GLYCOL HEATER  
MODEL AH-24A-A1A1-A1-2H

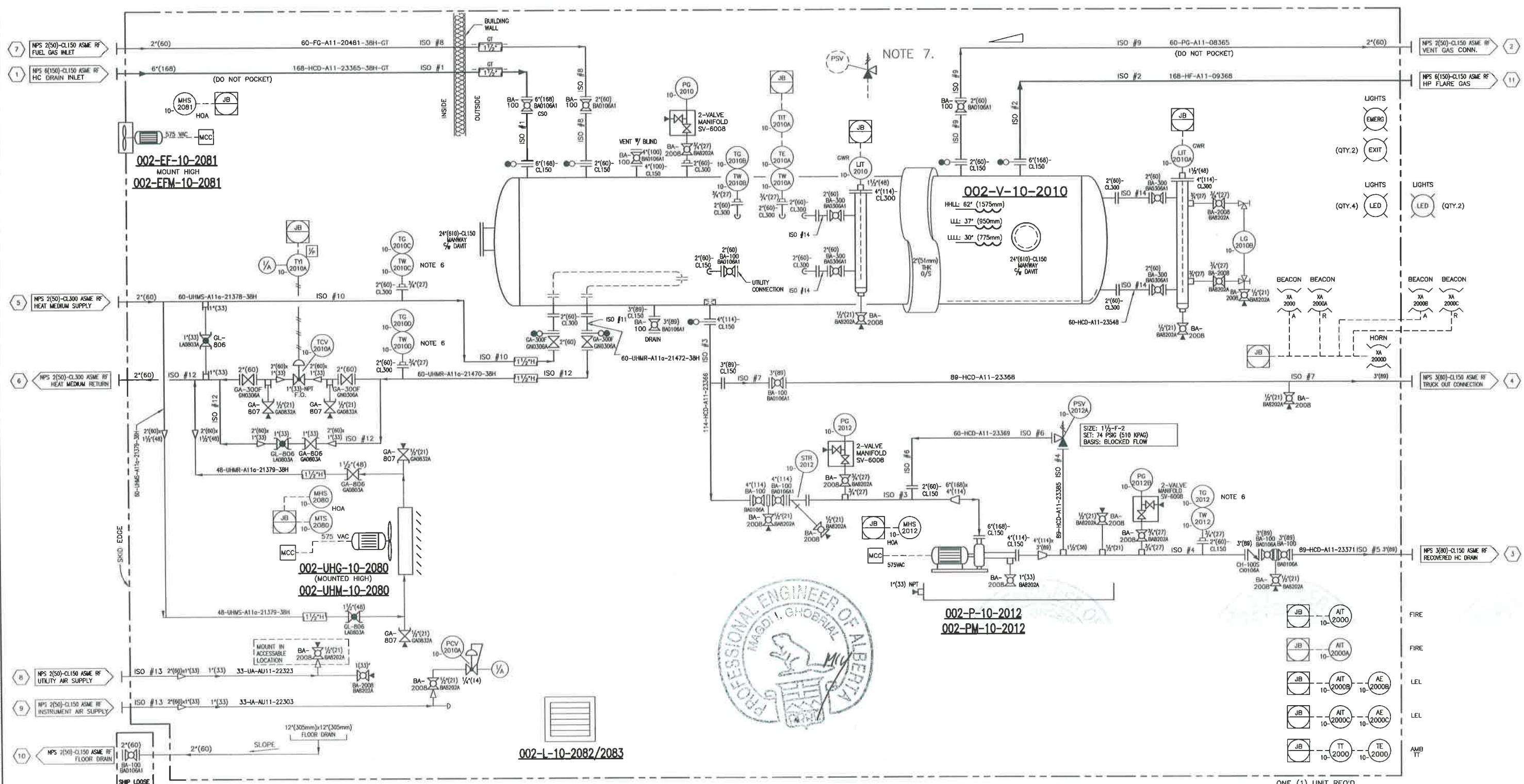
**002-UHM-10-2080**  
BUILDING HEATER MOTOR  
1/2 HP, 575V/3PH/60HZ XP MOTOR

**002-V-10-2010**  
LEP CLOSED HYDROCARBON DRAIN VESSEL  
78" (1981mm) I.D. x 20'-0" (6096mm) 3/8"  
FULL VACUUM/50 PSIG D.P. @ -45/500F + 1/16" C.A.  
FULL VACUUM/345 kPag @ -45/150C + 1.5mm C.A.

**002-P-10-2012**  
LEP CLOSED HYDROCARBON PUMP  
NMO63BY02S14K 4x6  
PROGRESSIVE CAVITY  
RATED CAPACITY = 77 USGPM (17.6 m<sup>3</sup>/h)  
DIFF PRESSURE = 49 PSIG (340 kPa)

**002-PM-10-2012**  
LEP CLOSED HYDROCARBON PUMP MOTOR  
TECO TEFC  
7.5HP @ 1800 RPM  
575V/3PH/60HZ CLASS 1 ZONE 2 GR Iia  
IEEC 841

**002-L-10-2082/83**  
MANUAL LOUVERS  
MANUALLY ADJUSTABLE  
12"x12" (305mm x 305mm)  
QTY. OF (2)



D-2013-8440-51F-001-ENG. USER: ZHANG, DATE: 02/06/2014 - 3:26 P

**VALVE TAGGING**

GA-818

VALVE TYPE: GA-818

SUFFIX: END CONNECTION

TRIM: PRESSURE RATING

VALVE TYPES: BA = BALL, CA = GATE, CL = GLOBE, CH = CHECK, NE = NEEDLE, BG = GAUGE (BLOCK 1/2 BLEED), BY = BUTTERFLY, SV = SPECIALTY

PRESSURE RATINGS: 1 = CL150 ASME, 3 = CL300 ASME, 6 = CL600 ASME, 8 = CL800 API, 9 = CL900 ASME, 15 = CL1500 ASME/CL1500 API, 20 = 2000 WOG, 25 = CL2500 ASME/CL2500 API, 30 = 3000 WOG, 40 = 4000 WOG, 60 = 6000 WOG

TRIM: 0 = STANDARD, 1 = SOUR, 2 = SOUR LOW TEMPERATURE, 3 = LOW TEMPERATURE, 4 = HIGH TEMPERATURE, 5 = STAINLESS STEEL

END CONN.: 0 = RF, 1 = RTJ, 6 = SW, 7 = NPT + SW, 8 = NPT, 9 = MNPT + FNPT

SUFFIX: F = FULL PORT, S = SWING CHECK, P = PISTON CHECK, L = PORTED RELIEF

**NOTES:**

- ITEMS SUPPLIED BY EQUIPMENT VENDOR.
- ITEMS SUPPLIED BY CUSTOMER & INSTALLED BY ALCO.
- ITEMS DENOTES TURBINE METERS REQUIRING A MIN. STRAIGHT PIPE LENGTH OF 10' UPSTREAM & 5' DOWNSTREAM.
- REFER DEVON P&ID FER-002 1102039085-A-PID-1001-01 FOR CONTROLS
- ALL INSTRUMENTS SHALL BE TAGGED AS FOLLOWS: 002-XX-10-XXXX, SO PG-1012 WOULD BE TAGGED 002-PG-10-1012
- DO NOT COMPLY WITH GS-4500 SEC 11.1.1
- PSV FOR VESSEL 002-V-10-2010 TO BE INSTALLED BY OWNER, ON PIPING, PER PLANT P & ID.

**GENERAL LEGEND:**

- DENOTES PNEUMATIC TIE-IN
- [ ] DENOTES PNEUMATIC COMPRESSOR PANEL TIE-IN
- DENOTES CAPILLARY TIE-IN
- DENOTES ELECTRICAL TIE-IN (BY OTHERS)
- DENOTES ELECTRICAL JUNCTION BOX TIE-IN
- DENOTES LOCAL PLC TIE-IN (BY OTHERS)
- DENOTES LOCAL ELECTRICAL PANEL TIE-IN
- DENOTES FIELD MOUNTED INSTRUMENT
- DENOTES LOCAL PANEL INSTRUMENT
- DENOTES LOCAL PANEL INSTRUMENT (MOUNTED INSIDE PANEL)

NO.	REV.	DATE	BY	DESCRIPTION
2	2014-02-06	HZ		ADDED LINE NUMBER
1	2013-11-28	HZ		REVISED TAG NUMBER
0	2013-11-15	HZ		ISSUED FOR CONSTRUCTION
E	2013-10-02	VJK		RE-ISSUED FOR CUSTOMER APPROVAL
D	2013-09-19	DD		RE-ISSUED FOR CUSTOMER APPROVAL
C	2013-06-21	ZR		ISSUED FOR CUSTOMER APPROVAL
B	2013-07-24	VJK		ISSUED FOR CUSTOMER APPROVAL
A	2013-01-21	ZR		ISSUED FOR CUSTOMER APPROVAL

**ALCO GAS & OIL**  
PRODUCTION EQUIPMENT LTD.

**MECHANICAL FLOWSHEET**  
LEP CLOSED HYDROCARBON DRAIN PACKAGE  
TAG: 002-PK-10-2000

LOCATION: FERRIER CPF PROJECT, AB  
CUSTOMER: DEVON CANADA CORPORATION  
DWG/SHOP ORDER: D-2013-8440-51F-001/001  
REV. 4

DATE: 2013-06-13  
SCALE: NTS  
CHK'D: ZR

L.S.D.: 11-02-039-08 WSM