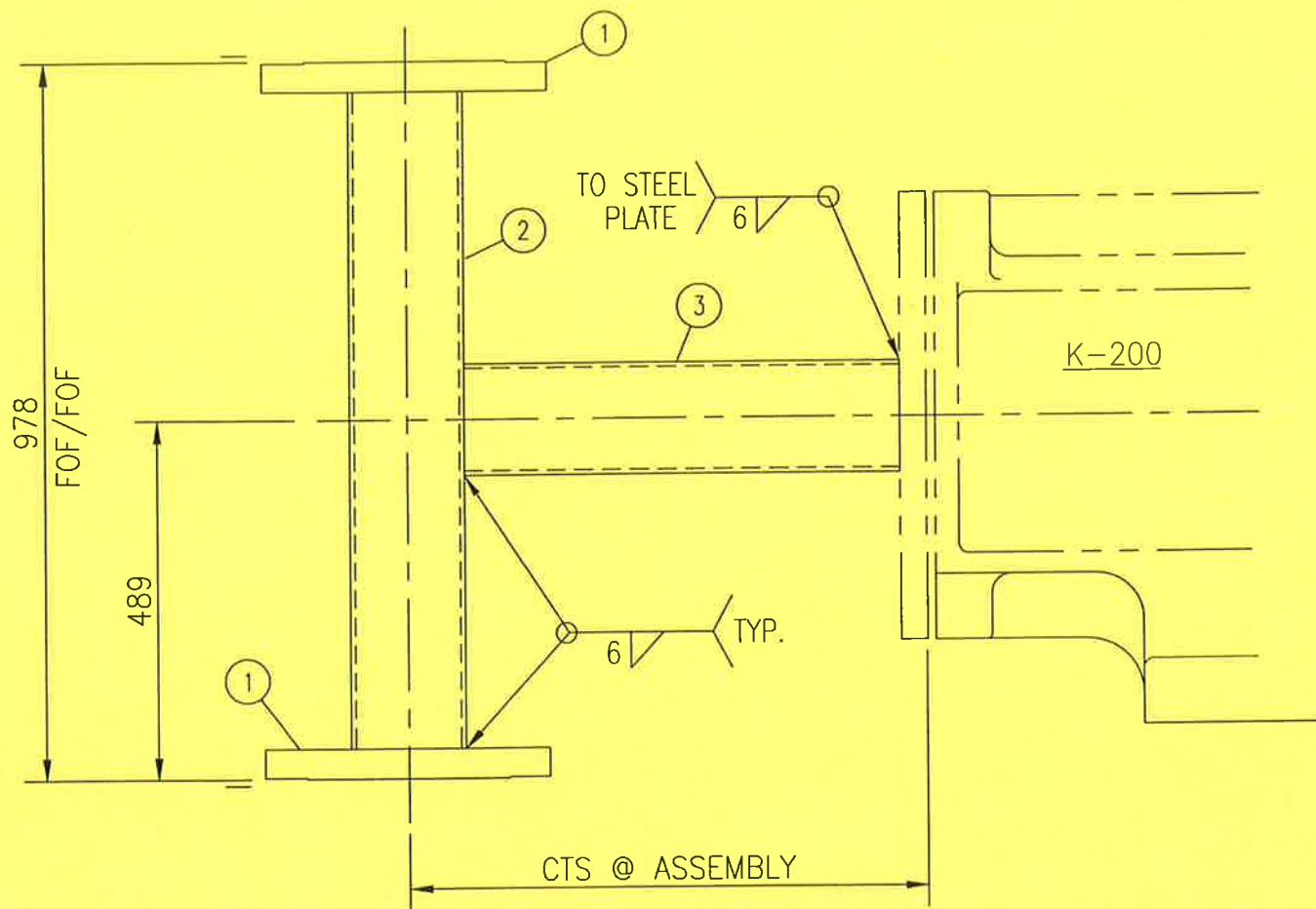


THIS DRAWING IS THE PROPERTY OF PROPAK SYSTEMS LTD. AND SHALL NOT BE DISCLOSED TO OTHERS OR REPRODUCED IN ANY MANNER OR USED FOR ANY PURPOSE WHATSOEVER EXCEPT BY THE DESIGNER. DATE: 2000.05.29 8:08am FILE NAME: J:\Jobs99\DWG\99420\Comp\PIP\SPT-99420-151-01.dwg

BILL OF MATERIAL

ITEM	QUA	DESCRIPTION	
1	2	BLIND FLANGE: 219-300# RF	SA-105N
2	1	HSS: 152 x 152 x 6 THK x 895 LG	G40.21M-350W
3	1	HSS: 152 x 152 x 6 THK x 710 LG	G40.21M-350W



ELEVATION
SCALE 1:10

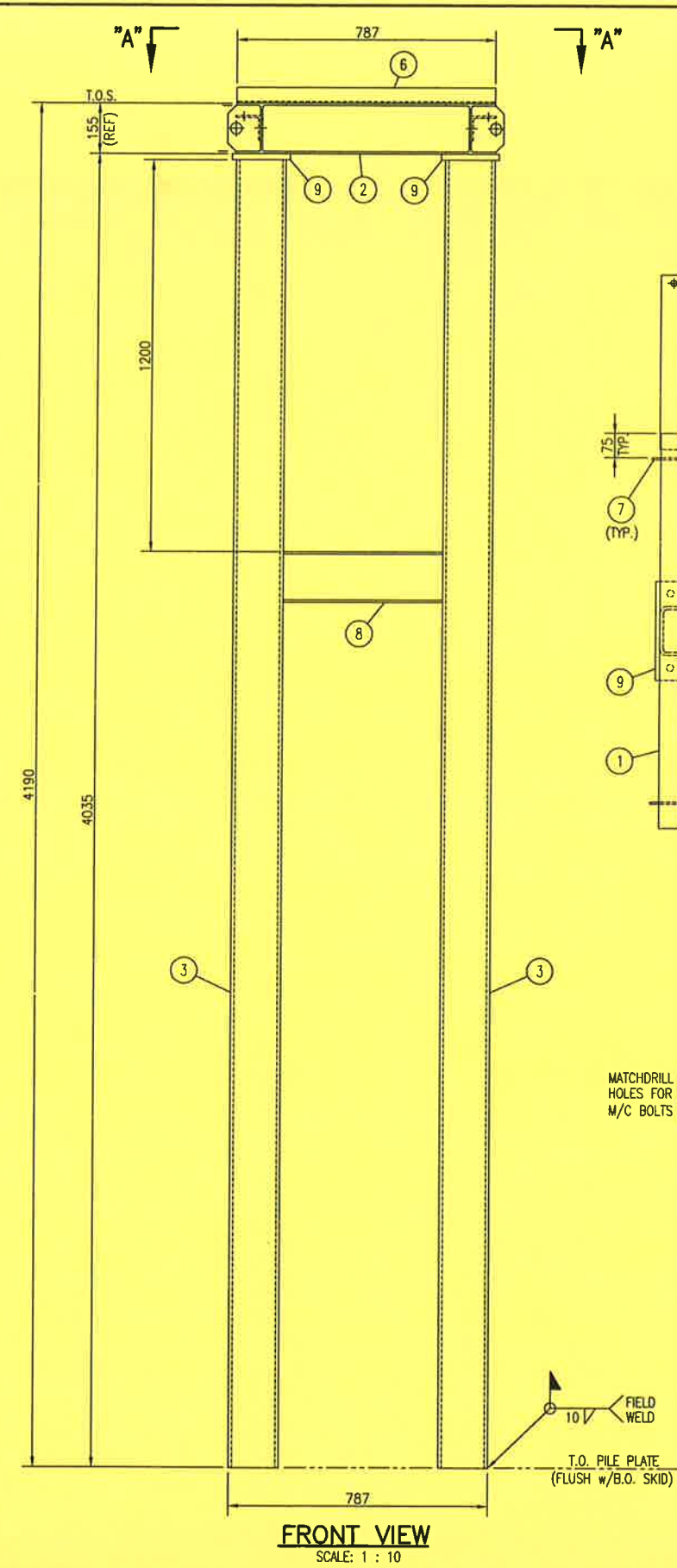
No.	ISSUED FOR CONSTRUCTION REVISION	S.F. BY	DATE	M.E. CKD	ENG
1		S.F.	00/05/29	M.E.	g

APPROVED		DRAWN	
MECH./STRUCT.	BY	S.FARWELL	
DATE	DATE	00/02/02	
ELECTRICAL	BY	CHECKED	
DATE	DATE	MAY 29/00	
PROJECT	DATE		
DATE	DATE		
SCALE	AS NOTED		

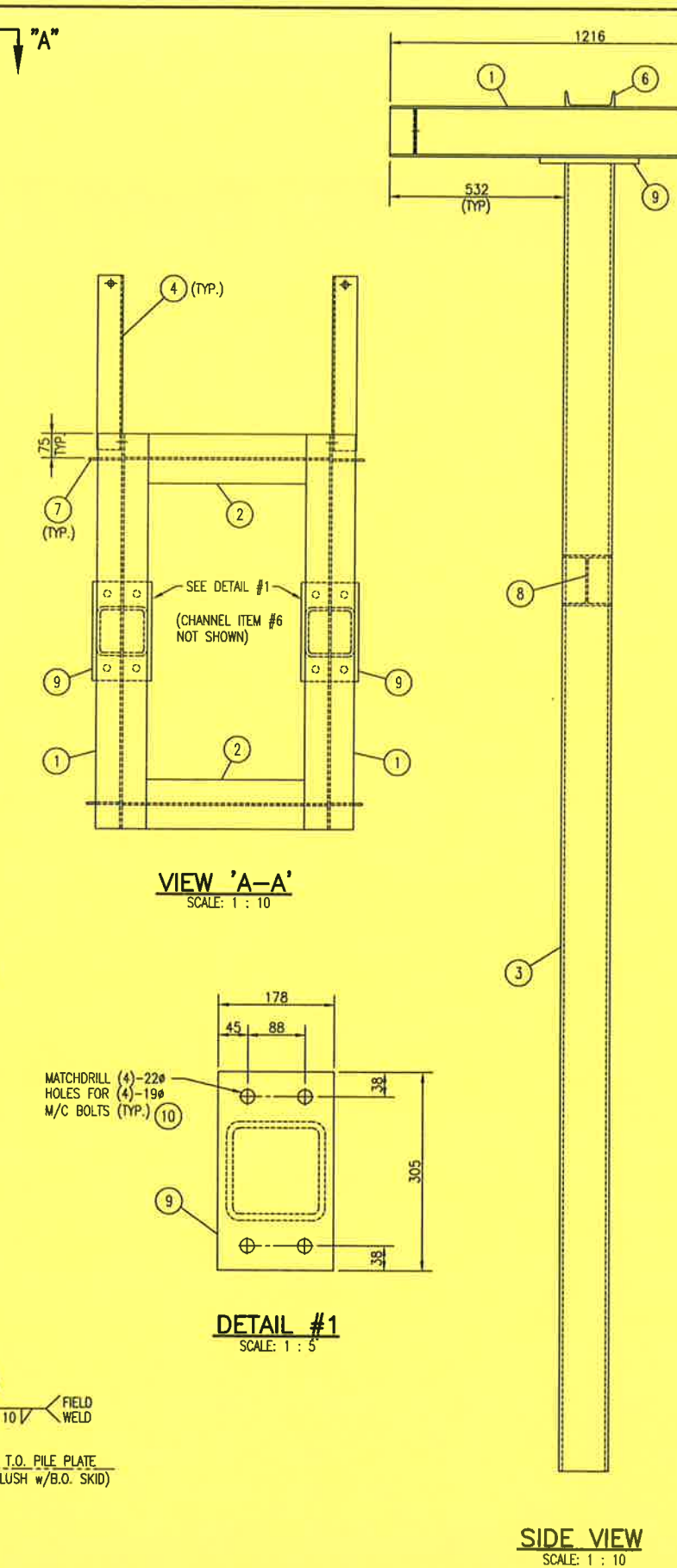
PROPAK SYSTEMS LTD.
 1380 HP STOCK COMPRESSOR PACKAGE
 DUMMY CYLINDER
 FOR STAGE#1
 DWG. No.: **A-SPT-99420-151-01**

PROPAK
 440 East Lake Road,
 Postal Bag #2
 Airdrie, Alberta
 Canada T4B 2C3
 REV. 1

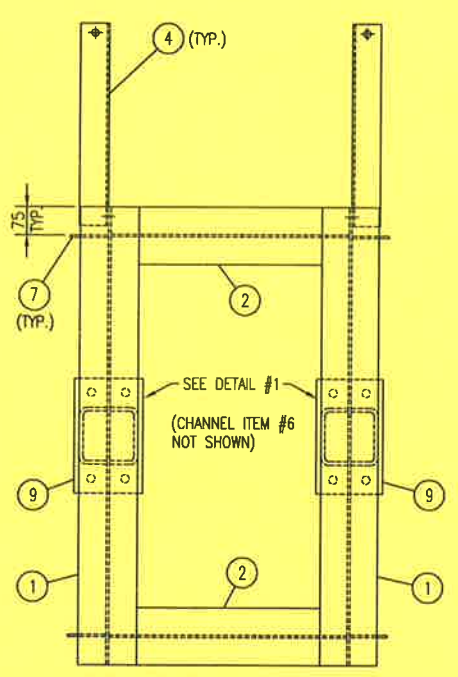
OF PROPAC TO OTHERS OR REPRODUCED IN ANY MANNER OR USED FOR ANY PURPOSE WHATSOEVER EXCEPT BY WRITTEN CONSENT
 THE DESIGN IT COVERS ARE CONFIDENTIAL AND THE PROPERTY OF PROPAC SYSTEMS LTD., AND SHALL NOT BE DISCLOSED
 THIS DRAWING AND



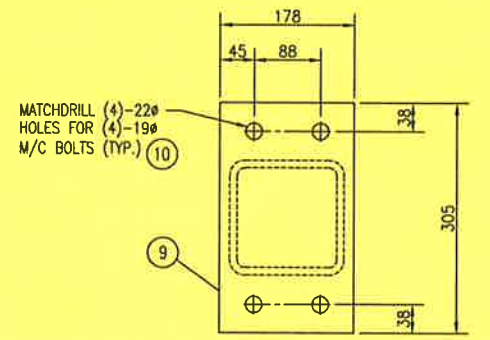
FRONT VIEW
SCALE: 1 : 10



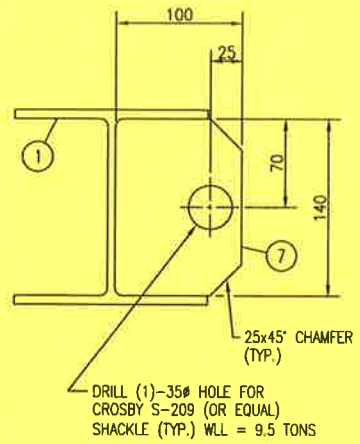
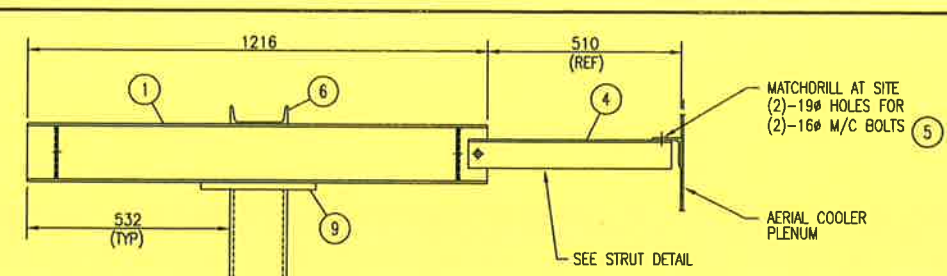
SIDE VIEW
SCALE: 1 : 10



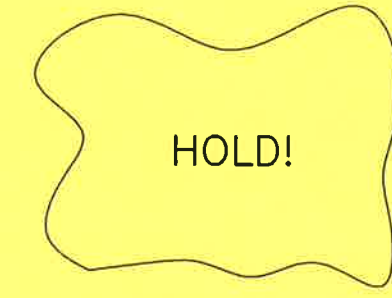
VIEW 'A-A'
SCALE: 1 : 10



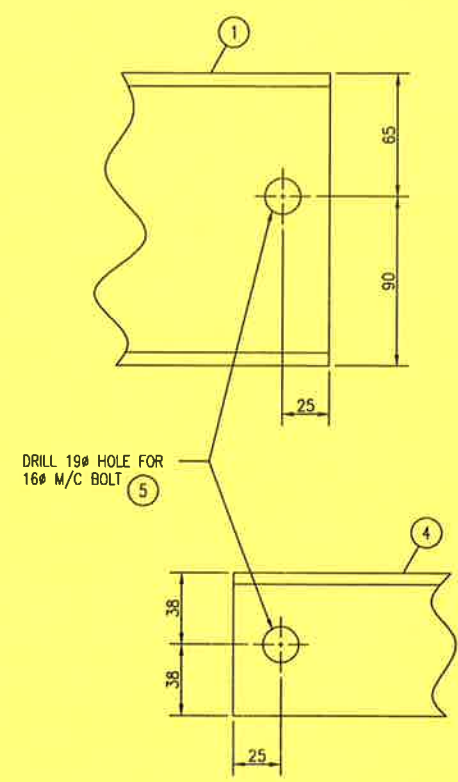
DETAIL #1
SCALE: 1 : 5



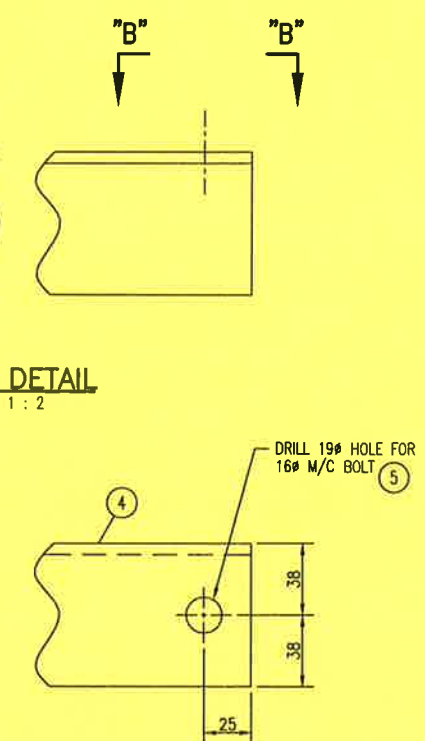
LIFTING LUG DETAIL
SCALE: 1 : 3



LIFTING DIAGRAM



STRUT DETAIL
SCALE: 1 : 2



VIEW 'B-B'
SCALE: 1 : 2

BILL OF MATERIAL			
ITEM	QUA	DESCRIPTION	
1	2	W150 x 22 x 1216 LG.	G40.21M-300W
2	2	W150 x 22 x 629 LG.	G40.21M-300W
3	2	HSS: 152 x 152 x 9.5 THK. x 4016 LG.	G40.21M-350W
4	2	ANGLE: 76 x 76 x 6 THK. x 534 LG.	G40.21M-300W
5	4	M/C BOLTS: 16# x 38 LG. c/w (1) HEX. NUT EA. (ZINC COATED)	SA-325
6	1	CHANNEL: C150 x 12 x 787 LG.	G40.21M-300W
7	4	F/BAR: 6 THK. x 100 WD x 140 LG.	G40.21M-300W
8	1	W150 x 22 x 483 LG.	G40.21M-300W
9	2	PLATE: 19 THK x 178 WD x 305 LG.	SA-36
10	8	M/C BOLTS: 19# x 54 LG. c/w (1) HEX. NUT EA. (ZINC COATED)	SA-325

- NOTES:**
1. STAND SUPPORT WEIGHT APPROX.: 505 kg.
 2. REMOVE ALL SHARP EDGES AND BURRS.
 3. CUT LENGTHS ARE EXACT WITH TOLERANCE +0/-3
 4. ALL DIMENSIONS ARE IN MILLIMETERS.
 5. WELDING SHALL BE PERFORMED USING E-7018 OR E-70-T SEMIAUTOMATIC ELECTRODES U.N.O.
 6. COPE MEMBERS TO SUIT.
 7. ALL WELDS TO BE 6 mm CONT. FILLET U.N.O.
 8. PAINT SPECS: PNT-11

APPROVED		DRAWN		APACHE CANADA LIMITED		440 East Lake Road,	
MECH./STRUCT.	BY PHIL R.	DATE 00/10/17	1478 HP HAMBURG COMPRESSOR PACKAGE		Postal Bag #2		
ELECTRICAL	CHECKED	DATE	STAND SUPPORT		Airdrie, Alberta		
PROJECT	BY G. ZAVALA	DATE 00/10/25	FOR KS-225		Canada T4B 2C3		
DATE 20/10/25	SCALE AS NOTED	DWG. No.: D-SPT-99420-316	REV. 1				

GENERAL NOTES	GENERAL NOTES	No.	REVISION	BY	DATE	CKD	ENG
DATE: 2000.10.25 10:20am	FILE NAME: J:\jobs99\DWG\99420\Comp\Misc\SPT-99420-316-01.dwg	1	ISSUED FOR CONSTRUCTION	PHIL R.	00/10/25		