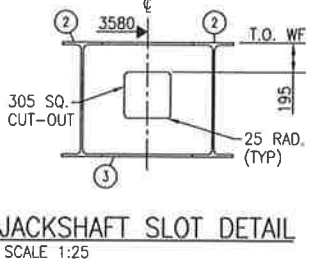
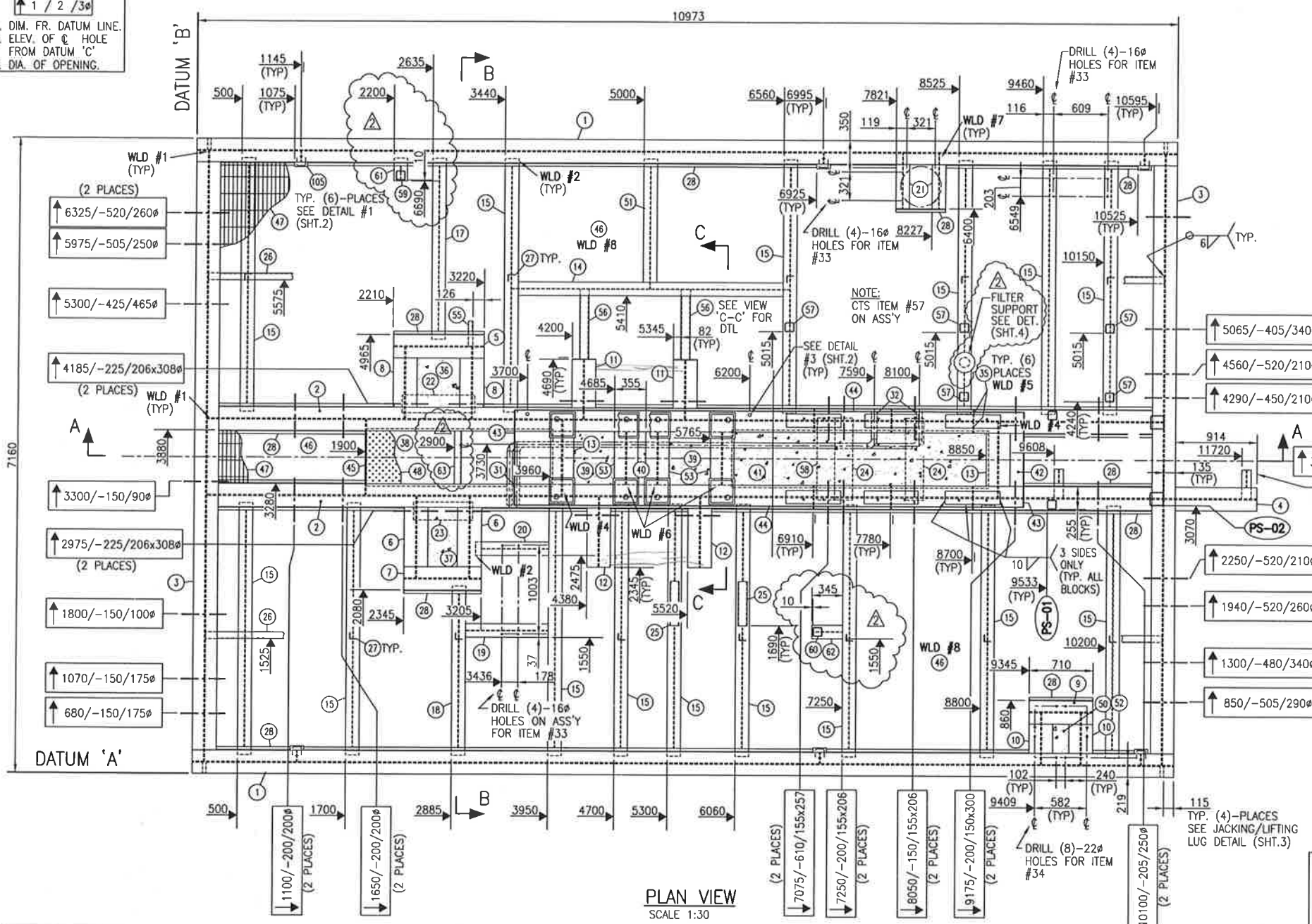


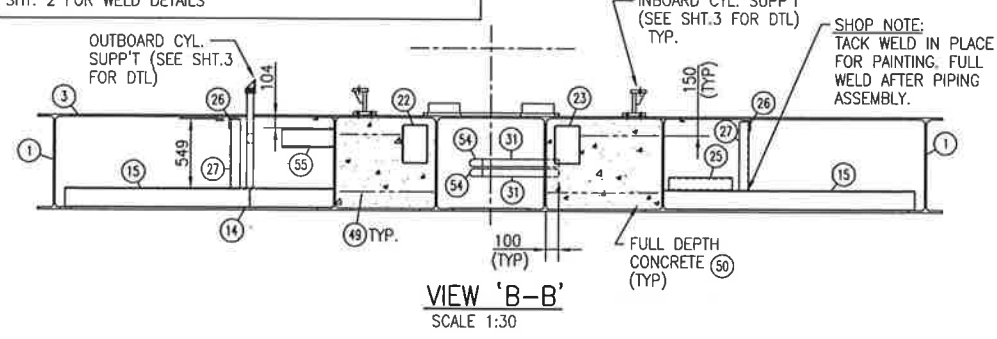
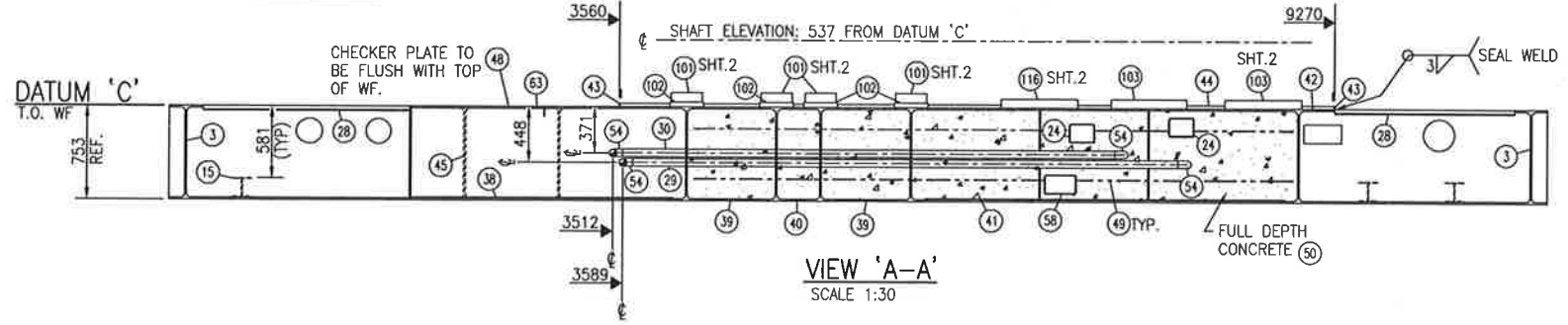
THIS DRAWING AND THE DESIGN IT COVERS ARE CONFIDENTIAL AND THE PROPERTY OF PROPAK SYSTEMS LTD., AND SHALL NOT BE DISCLOSED TO OTHERS OR REPRODUCED IN ANY MANNER OR USED FOR ANY PURPOSE WHATSOEVER EXCEPT BY WRITTEN CONSENT OF PROPAK.

- 1 / 2 / 3
- DIM. FR. DATUM LINE.
  - ELEV. OF C HOLE FROM DATUM 'C'
  - DIA. OF OPENING.



- SHOP NOTES:**
- 9mm ALLOWED FOR SHIMMING ENGINE
  - ALL RE-BAR TO BE SPACED AT 300 mm CENTERS.
  - SHOP TO ENSURE THAT ALL WELDS ON BOTTOM OF SKID ARE GROUND FLUSH.

- GENERAL NOTES:**
- APPROX. WEIGHT OF SKID: STEEL: 21,950 KG (NOT INCL. CRANE) CONCRETE: 9400 KG
  - COPE MEMBERS WHERE SHOWN.
  - CUT LENGTHS ARE EXACT WITH TOLERANCE OF +0/-3
  - ALL WELDS TO BE 6 mm CONTINUOUS FILLET USING E-7018 OR E-70-T SEMI-AUTOMATIC ELECTRODES UNLESS NOTED OTHERWISE.
  - REMOVE ALL SHARP EDGES AND BURRS.
  - DRILL ALL HOLES <38φ, FLAME CUT LARGER HOLES.
  - ALL DIMENSIONS ARE IN MILLIMETRES.
  - FINISH WITH PAINT SPEC.: PNT-11
  - SEE SHT. 2 FOR WELD DETAILS



BILL OF MATERIAL			DESCRIPTION	
ITEM	QUA			
1	2	W760 x 147 x 10973 LG.	G40.21M-300W	
2	2	W760 x 147 x 10695 LG.	G40.21M-300W	
3	2	W760 x 147 x 6880 LG.	G40.21M-300W	
4	1	W760 x 147 x 1040 LG.	G40.21M-300W	
5	1	W760 x 147 x 1010 LG.	G40.21M-300W	
6	2	W760 x 147 x 920 LG.	G40.21M-300W	
7	1	W760 x 147 x 860 LG.	G40.21M-300W	
8	2	W760 x 147 x 805 LG.	G40.21M-300W	
9	1	W760 x 147 x 710 LG.	G40.21M-300W	
10	2	W760 x 147 x 580 LG.	G40.21M-300W	
11	2	W760 x 147 x 670 LG.	G40.21M-300W	
12	2	W760 x 147 x 795 LG.	G40.21M-300W	
13	2	W760 x 147 x 850 LG.	G40.21M-300W	
14	1	W150 x 22 x 3114 LG.	G40.21M-300W	
15	15	W150 x 22 x 2900 LG.	G40.21M-300W	
16				
17	1	W150 x 22 x 2080 LG.	G40.21M-300W	
18	1	W150 x 22 x 1965 LG.	G40.21M-300W	
19	1	W150 x 22 x 913 LG.	G40.21M-300W	
20	1	W150 x 22 x 820 LG.	G40.21M-300W	
21	2	W150 x 22 x 620 LG.	G40.21M-300W	
22	1	HSS: 203 x 305 x 6 THK. x 810 LG.	G40.21M-350W	
23	1	HSS: 203 x 305 x 6 THK. x 660 LG.	G40.21M-350W	
24	2	HSS: 152 x 203 x 6 THK. x 930 LG.	G40.21M-350W	
25	2	HSS: 102 x 102 x 6 THK. x 500 LG.	G40.21M-350W	
26	2	L 76 x 76 x 6 THK. x 10695 LG.	G40.21M-300W	
27	12	L 76 x 76 x 6 THK. x 543 LG.	G40.21M-300W	
28	1	L 38 x 38 x 6 THK. x 50000 LG. (CTS)	G40.21M-300W	
29	1	PIPE: 60 O/D x 5.54 W.T. x 4353 LG.	SMLS SA-106-B	
30	1	PIPE: 60 O/D x 5.54 W.T. x 3920 LG.	SMLS SA-106-B	
31	2	PIPE: 60 O/D x 5.54 W.T. x 690 LG.	SMLS SA-106-B	
32	2	PIPE: 60 O/D x 5.54 W.T. x 390 LG.	SMLS SA-106-B	
33	12	BOLTS: 13φ x 51 LG. c/w (1) HEX NUT EACH (ZINC COATED)	SA-325	
34	8	BOLTS: 19φ x 64 LG. c/w (1) HEX NUT EACH (ZINC COATED)	SA-325	
35	12	PLATE: 13 THK. x 125 x 716 LG.	SA-36	
36	1	PLATE: 6 THK. x 480 x 555 LG.	SA-36	
37	1	PLATE: 6 THK. x 330 x 670 LG.	SA-36	
38	1	PLATE: 6 THK. x 650 x 2085 LG.	SA-36	
39	2	PLATE: 6 THK. x 460 x 600 LG.	SA-36	
40	1	PLATE: 6 THK. x 90 x 600 LG.	SA-36	
41	1	PLATE: 6 THK. x 650 x 2870 LG.	SA-36	
42	1	PLATE: 6 THK. x 155 x 600 LG.	SA-36	
43	2	F/BAR: 6 THK. x 25 x 1110 LG.	G40.21M-300W	
44	2	F/BAR: 6 THK. x 25 x 5695 LG.	G40.21M-300W	
45	2	PLATE: 13 THK. x 753 x 850 LG. (CTS)	SA-36	
46	2	SEAL PLATE: 5 THK. x 2750 x 11050 LG.	SA-36	
47	1	GRATING: 32 x 5 (19-4) x 914 WD. x 73200 LG. (CTS)	C.S.	
48	1	CHK'R PLATE: 6 THK. x 600 x 2055 LG.	SA-36	
49	30m	REBAR: 15M	GRADE 300	
50	3.9m <sup>3</sup>	CONCRETE: 20 MPa		
51	1	W150 x 22 x 1408 LG.	G40.21M-300W	
52	1	PLATE: 6 THK. x 180 x 330 LG.	SA-36	
53	3	W760 x 147 x 600 LG.	G40.21M-300W	
54	4	ELBOW: 60 O/D 90° LR SCH 80 BW	SMLS SA-234-WPB	
55	1	C 150 x 16 x 280 LG.	G40.21M-300W	
56	2	HSS: 102 x 102 x 783 LG.	G40.21M-350W	
57	5	HSS: 102 x 102 x 100 LG.	G40.21M-350W	
58	1	HSS: 152 x 254 x 930 LG.	G40.21M-350W	
59	1	HSS: 102 x 102 x 6 THK. x 247 LG.	G40.21M-350W	
60	1	HSS: 102 x 102 x 6 THK. x 307 LG.	G40.21M-350W	
61	1	W150 x 22 x 280 LG.	G40.21M-300W	
62	1	W150 x 22 x 345 LG.	G40.21M-300W	
63	1	L 76 x 76 x 6 THK. x 600 LG.	G40.21M-300W	

THIS DRAWING AND THE DESIGN IT COVERS ARE CONFIDENTIAL AND THE PROPERTY OF PROPAK SYSTEMS LTD., AND SHALL NOT BE DISCLOSED TO OTHERS OR REPRODUCED IN ANY MANNER OR USED FOR ANY PURPOSE WHATSOEVER EXCEPT BY WRITTEN CONSENT OF PROPAK.

DATE: 2000.05.29 10:17am FILE NAME: J:\jobs99\DWG\99420\Comp\SKD\_SKD-99420-110A-01.dwg

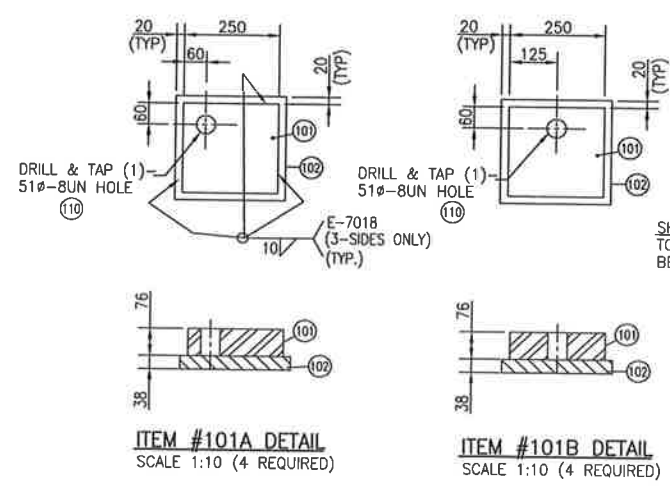
No.	REVISION	BY	DATE	CKD	ENG
2	LOCATED FILTER SUPPORT/ADDED ITEM #59 THRU #63	S.FARWELL	00/05/29	M.L.	S.W.
1	ISSUED FOR CONSTRUCTION	S.FARWELL	00/05/17	S.L.	S.W.

APPROVED		DRAWN	
MECH./STRUCT.	DATE	BY	DATE
ELECTRICAL	DATE	BY	DATE
DATE	00/05/17	S. LESLIE	00/05/17
PROJECT	S. WARD	DATE	00/05/17
DATE	00/05/17	SCALE	AS NOTED

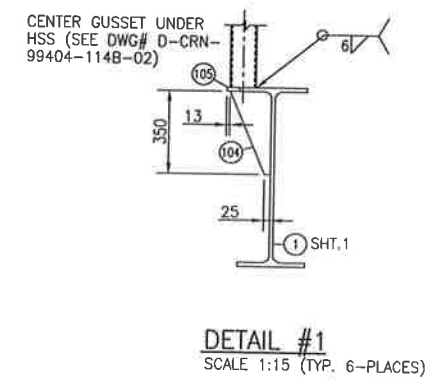
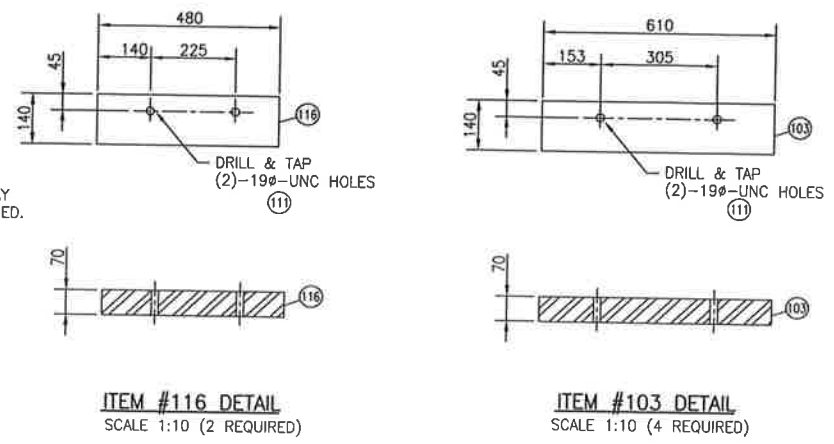
**PROPAK**  
1380 HP STOCK COMPRESSOR SKID STEEL  
DWG. No.: D-SKD-99420-110A SHEET 1 OF 4 REV. 2

**PROPAK**  
440 East Lake Road,  
Postal Bag #2  
Airdrie, Alberta  
Canada T4B 2C3

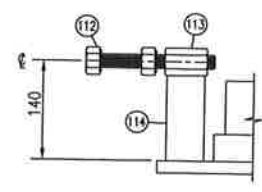
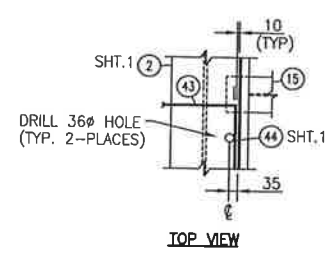
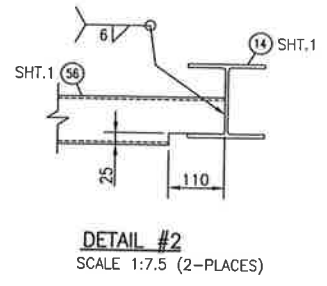
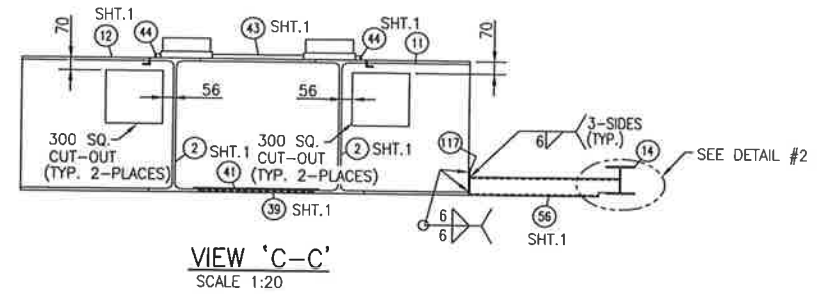
THIS DRAWING AND THE PROPERTY OF PROPAK SYSTEMS LTD., AND SHALL NOT BE DISCLOSED IN ANY MANNER OR USED FOR ANY PURPOSE WHATSOEVER EXCEPT BY WRITTEN CONSENT



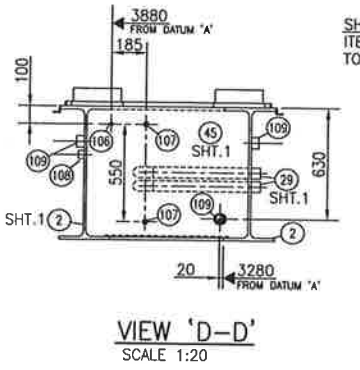
SHOP NOTE:  
TOP SURFACE OF BLOCKS MAY  
BE MACHINED FLAT IF REQUIRED.



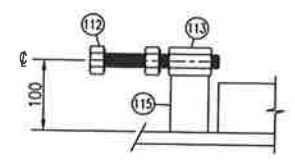
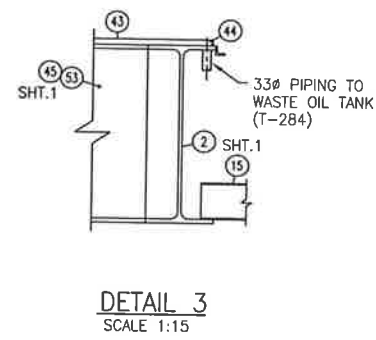
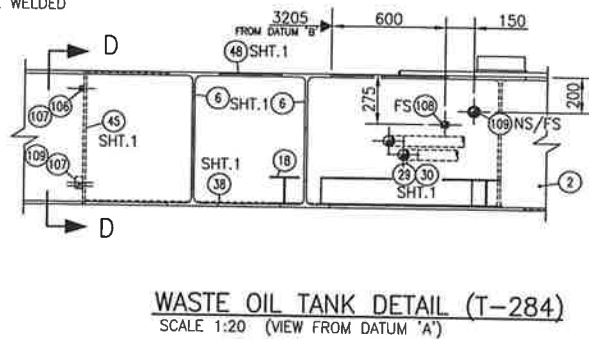
BILL OF MATERIAL		
ITEM	QUA	DESCRIPTION
101	8	PLATE: 76 THK. x 250 SQ. (SEE DETAIL)
102	8	PLATE: 38 THK. x 290 SQ.
103	4	PLATE: 70 THK. x 140 x 610 LG. (SEE DETAIL)
104	6	PLATE: 13 THK. x 163 x 350 LG. (CTS)
105	6	F/BAR: 16 THK. x 51 x 152 LG.
106	1	HALF CPLG: 14-3000# NPT
107	2	HALF CPLG: 21-3000# NPT
108	1	HALF CPLG: 33-3000# NPT
109	3	HALF CPLG: 48-3000# NPT
110	8	BOLTS: 51#-8UN x 159 LG. FULL THREAD c/w (1) WASHER EA.
111	12	BOLTS: 19#-UNC x 89 LG. FULL THREAD c/w (1) WASHER EA.
112	16	BOLTS: 19# x 152 LG. FULL THREAD c/w (1) NUT EA. (ZINC COATED)
113	16	COUPLING NUT: 19# x 57 LG. HEX HEAD
114	8	F/BAR: 13 THK. x 51 x 172 LG. (CTS)
115	8	F/BAR: 13 THK. x 51 x 135 LG. (CTS)
116	2	PLATE: 70 THK. x 140 x 480 LG. (SEE DETAIL)
117	2	F/BAR: 10 THK. x 152 x 265 LG.



NOTE:  
LOCATE JACK SCREWS ON ASSEMBLY



SHOP NOTE:  
ITEM #38 & #48 TO BE SEAL WELDED  
TO ITEMS # 13 & #45.



MAIN/CORNER JOINT	SLEEPER JOINT	PIPE/H.S.S. SLEEVE	CONCRETE BARRIER	GUSSET DETAIL	COMMUN. CHAMBER	EQUIP. SUPPORT	SEAL PAN

GENERAL NOTES		GENERAL NOTES		REVISION		APPROVED		DRAWN	
DATE: 2000.05.16 3:57pm	FILE NAME: J:\jobs99\DWG\99420\Comp\SKD\SKD-99420-11GA-02.dwg	1	ISSUED FOR CONSTRUCTION	S.FARWELL	00/05/16	S.L.	S.W.	MECH./STRUCT.	BY S.FARWELL
		No.		BY	DATE	CKD	ENG	DATE	DATE

PROJECT	S. WARD	BY	S. LESLIE
DATE	00/05/16	DATE	00/05/16
SCALE	AS NOTED		

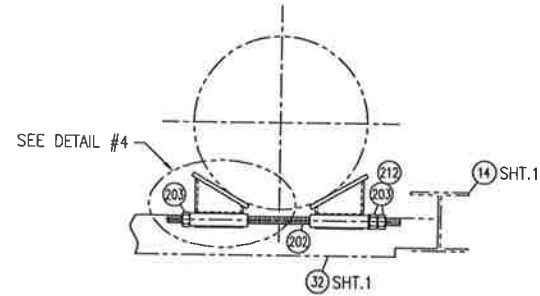
PROPAC  
1380 HP STOCK COMPRESSOR  
SKID STEEL  
DETAILS

DWG. No.: D-SKD-99420-110A SHEET 2 OF 4 REV. 1

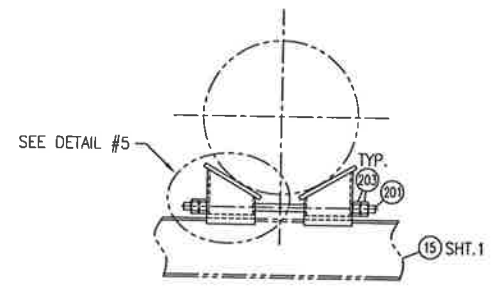
**PROPAC**  
440 East Lake Road,  
Postal Bag #2  
Airdrie, Alberta  
Canada T4B 2C3

MAY 18 2000

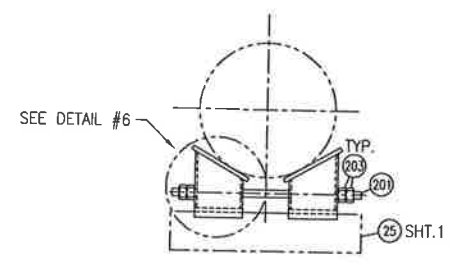
THIS DRAWING AND THE DESIGN IT COVERS ARE CONFIDENTIAL AND THE PROPERTY OF PROPAC SYSTEMS LTD., AND SHALL NOT BE DISCLOSED TO OTHERS OR REPRODUCED IN ANY MANNER OR USED FOR ANY PURPOSE WHATSOEVER EXCEPT BY WRITTEN CONSENT OF PROPAC.



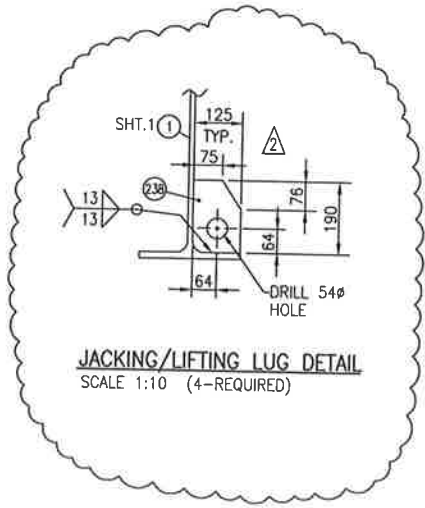
**V-122 WEDGE ASSEMBLY**  
SCALE 1:10



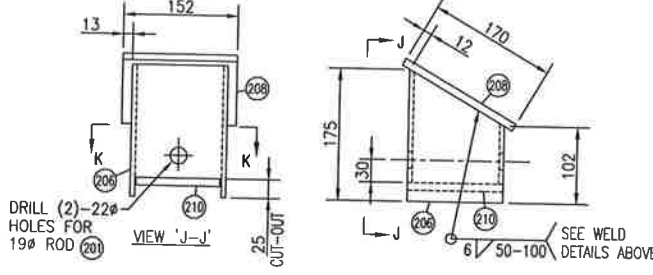
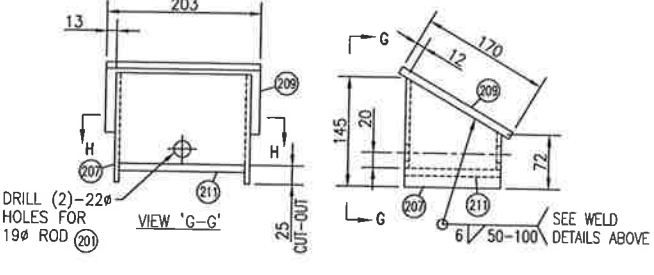
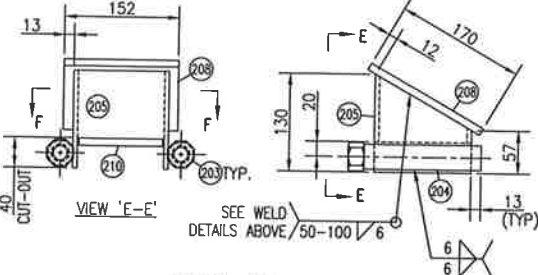
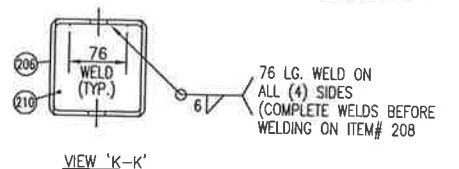
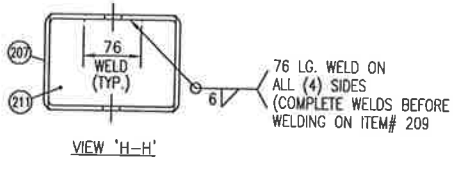
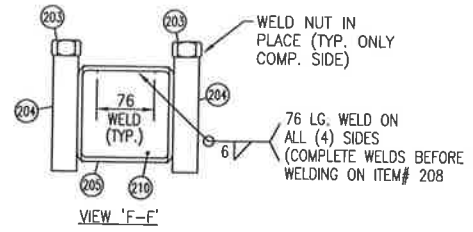
**V-124 WEDGE ASSEMBLY**  
SCALE 1:10



**V-126 WEDGE ASSEMBLY**  
SCALE 1:10



**JACKING/LIFTING LUG DETAIL**  
SCALE 1:10 (4-REQUIRED)

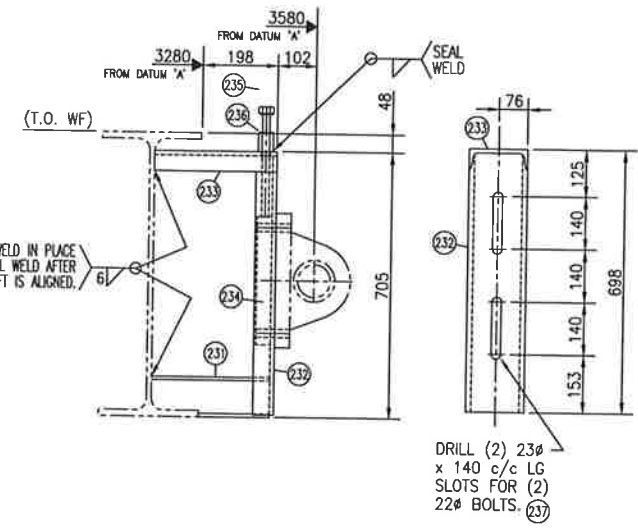


**DETAIL #4**  
SCALE 1:5 (4 REQUIRED)

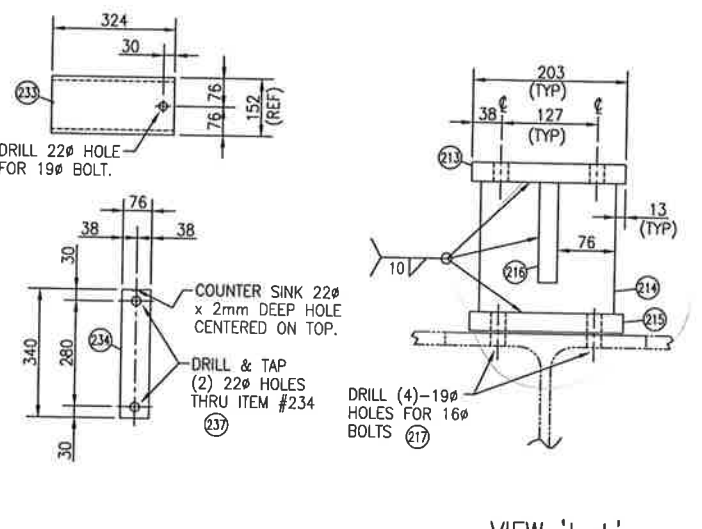
SHOP NOTE: ENSURE SLEEVES (ITEMS #204) ARE ALIGNED FOR EASY ROD TRAVEL.

**DETAIL #5**  
SCALE 1:5 (4-REQUIRED)

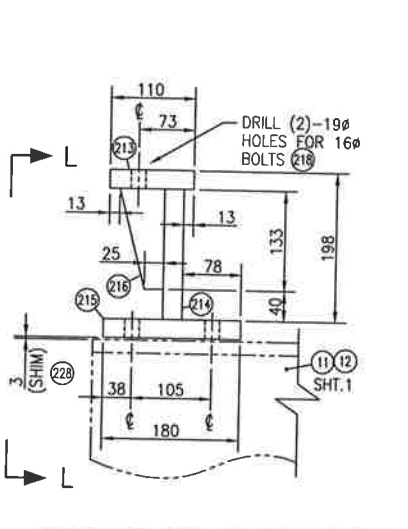
**DETAIL #6**  
SCALE 1:5 (4-REQUIRED)



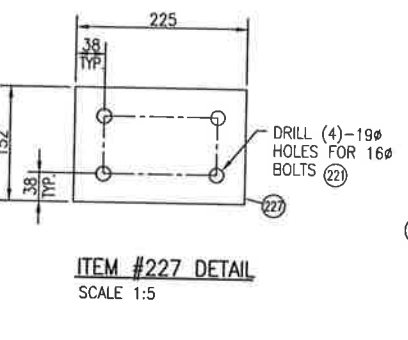
**JACKSHAFT SUPPORT DETAILS**  
SCALE 1:10 (2 REQUIRED)



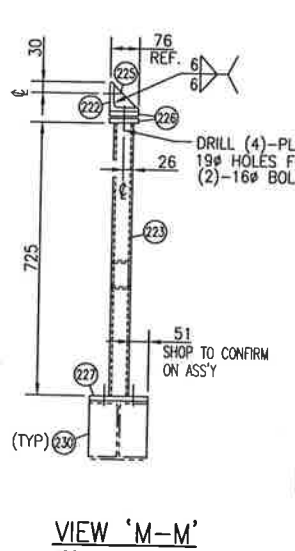
**VIEW 'L-L'**  
SCALE 1:5



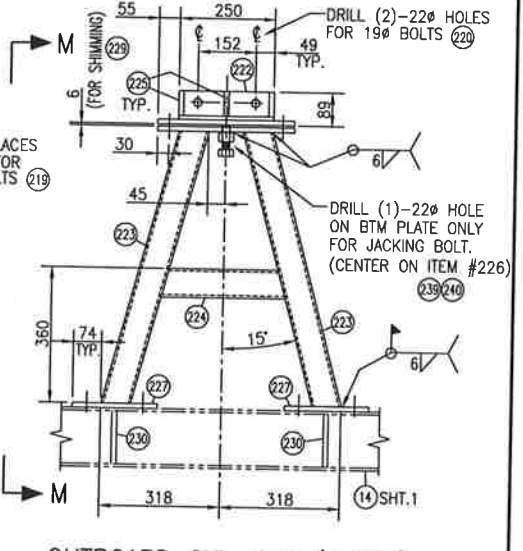
**INBOARD CYL. SUPP'T DET'L**  
SCALE 1:5 (3-REQUIRED)



**ITEM #227 DETAIL**  
SCALE 1:5



**VIEW 'M-M'**  
SCALE 1:10



**OUTBOARD CYL. SUPP'T DET'L**  
SCALE 1:10

BILL OF MATERIAL		
ITEM	QUA	DESCRIPTION
201	4	ALL THREAD BAR: 19ø x 500 LG.
202	4	ALL THREAD BAR: 19ø x 600 LG.
203	28	HEX NUTS: 19ø
204	4	PIPE: 33 O/D x 4.55 W.T. x 155 LG.
205	4	HSS: 127 x 127 x 6 THK. x 130 LG. (CTS)
206	4	HSS: 127 x 127 x 6 THK. x 175 LG. (CTS)
207	4	HSS: 178 x 127 x 6 THK. x 145 LG. (CTS)
208	8	F/BAR: 10 THK. x 152 x 170 LG.
209	4	F/BAR: 10 THK. x 203 x 170 LG.
210	8	PLATE: 10 THK. x 112 x 127 LG.
211	4	PLATE: 10 THK. x 127 x 163 LG.
212	4	PLATE: 3 THK. x 40 O/D x 22 1/0
213	3	PLATE: 25 THK. x 110 x 203 LG.
214	3	PLATE: 25 THK. x 173 x 177 LG.
215	3	PLATE: 25 THK. x 180 x 203 LG.
216	3	PLATE: 25 THK. x 60 x 133 LG. (CTS)
217	12	BOLTS: 16ø x 70 LG. c/w (1) NUT & WASHER EA. (ZINC COATED)
218	6	BOLTS: 16ø-UNC x 51 LG. c/w (1) WASHER EA. (ZINC COATED)
219	2	BOLTS: 16ø x 51 LG. c/w (1) NUT & WASHER EA. (ZINC COATED)
220	2	BOLTS: 19ø-UNC x 38 LG. c/w (1) WASHER EA. (ZINC COATED)
221	8	BOLTS: 16ø x 51 LG. c/w (1) NUT & WASHER EA. (ZINC COATED)
222	1	ANGLE: 76 x 76 x 10 THK. x 250 LG.
223	2	HSS: 76 x 51 x 6 THK. x 800 LG. (CTS)
224	1	HSS: 76 x 51 x 6 THK. x 450 LG. (CTS)
225	2	PLATE: 10 THK. x 60 SQ. (1 MAKES 2)
226	2	F/BAR: 13 THK. x 76 x 360 LG.
227	2	F/BAR: 13 THK. x 152 x 225 LG.
228	3	SHIM PLATE: 3 THK. x 180 x 203 LG.
229	2	SHIM PLATE: 3 THK. x 76 x 360 LG.
230	4	PLATE: 10 THK. x 70 x 140 LG.
231	2	W100 x 19 x 310 LG.
232	2	C150 x 19 x 687 LG. (CTS)
233	2	C150 x 19 x 324 LG.
234	2	PLATE: 38 THK. x 76 x 340 LG.
235	2	BOLT: 19ø x 273 LG. FULL THREAD c/w (1) WASHER
236	2	COUPLING NUT: 19ø x 51 LG. HEX HEAD
237	4	BOLT: 22ø x 89 LG. FULL THREAD c/w (1) WASHER (ZINC COATED)
238	4	PLATE: 38 THK. x 125 x 190 LG.
239	1	JACKING BOLT: 19ø-UNC x 64 LG. FULL THREAD (ZINC COATED)
240	1	NUT: 19ø-UNC HEX HEAD

GENERAL NOTES				GENERAL NOTES			
2				MODIFIED DESIGN OF LIFTING LUG			
1				ISSUED FOR CONSTRUCTION			
No.				REVISION			
BY		DATE		CKD		ENG	
S. BRODIE		00/09/01		M.A.		S.W.	
S. FARWELL		00/05/17		S.L.		S.W.	

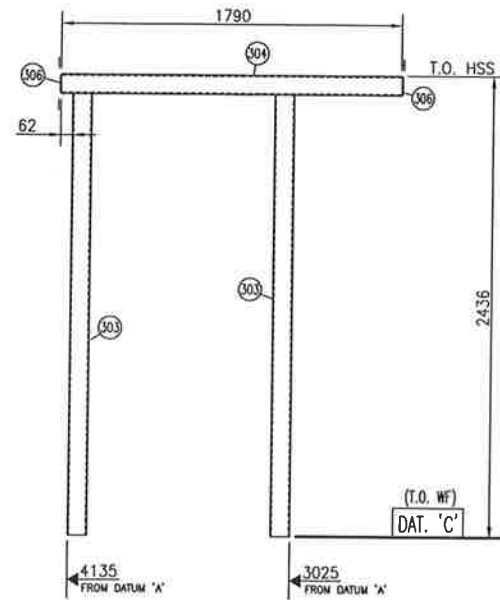
APPROVED		DRAWN	
MECH./STRUCT.	BY	S. FARWELL	DATE
DATE	DATE	00/05/01	CHECKED
ELECTRICAL	BY	S. LESLIE	DATE
DATE	DATE	00/05/17	SCALE
PROJECT	S. WARD	DATE	AS NOTED
DATE	00/05/17		

PROPAC  
 1380 HP STOCK COMPRESSOR  
 SKID STEEL  
 DETAILS

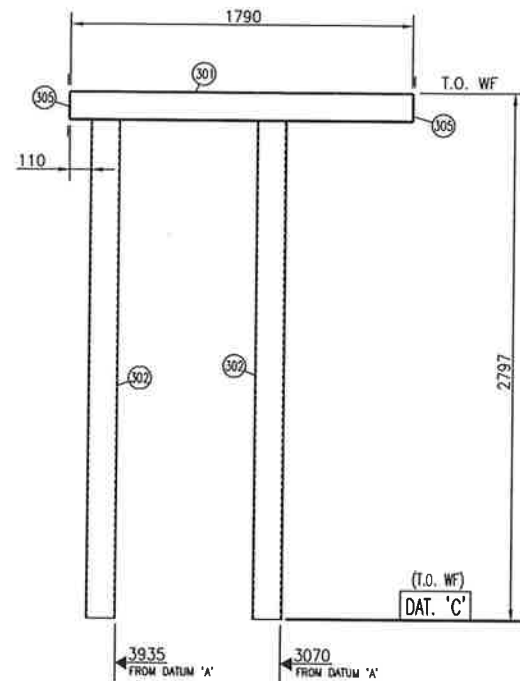
**PROPAC**  
 440 East Lake Road,  
 Postal Bag #2  
 Airdrie, Alberta  
 Canada T4B 2C3

DWG. No.: D-SKD-99420-110A SHEET 3 OF 4 REV. 2

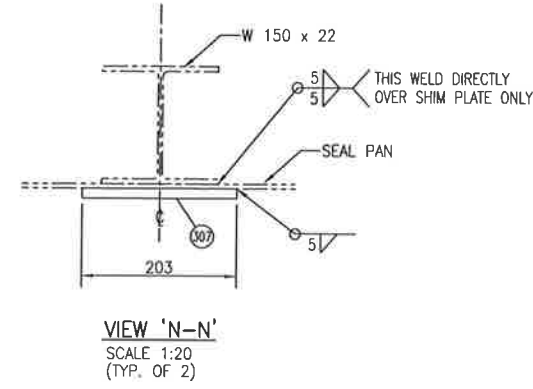
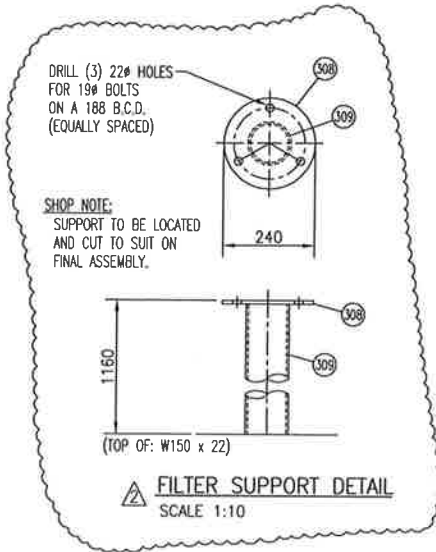
TO OTHERS OR REPRODUCED IN ANY MANNER OR USED FOR ANY PURPOSE WHATSOEVER EXCEPT BY WRITTEN CONSENT OF PROPAK.



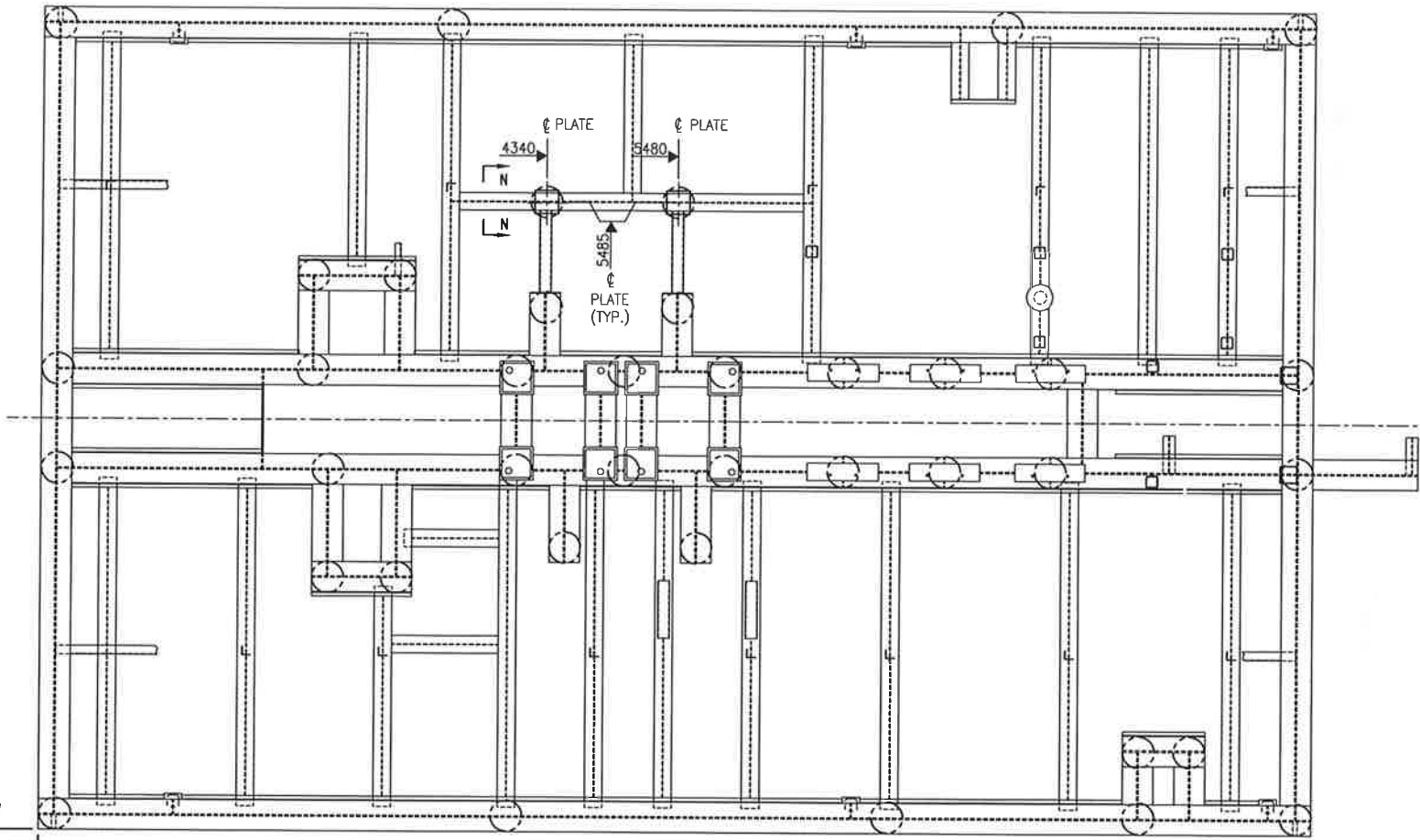
DETAIL 'PS-01'  
SCALE 1:20



DETAIL 'PS-02'  
SCALE 1:20



BILL OF MATERIAL			
ITEM	QUA	DESCRIPTION	
301	1	W150 x 22 x 1790 LG.	G40.21M-300W
302	2	HSS: 152 x 152 x 6 THK. x 2642 LG.	G40.21M-350W
303	2	HSS: 102 x 102 x 6 THK. x 2334 LG.	G40.21M-350W
304	1	HSS: 102 x 102 x 6 THK. x 1790 LG.	G40.21M-350W
305	2	F/BAR: 6 THK. x 152 x 143 LG.	G40.21M-300W
306	2	F/BAR: 6 THK. x 90 SQ.	G40.21M-300W
307	2	F/BAR: 13 THK. x 203 SQ.	G40.21M-300W
308	1	PLATE: 10 THK. x 240 DIA.	SA-36
309	1	PIPE: 114 O/D x 6.02 W.T. x 1150 LG.	ERW SA-53-B(MIN)



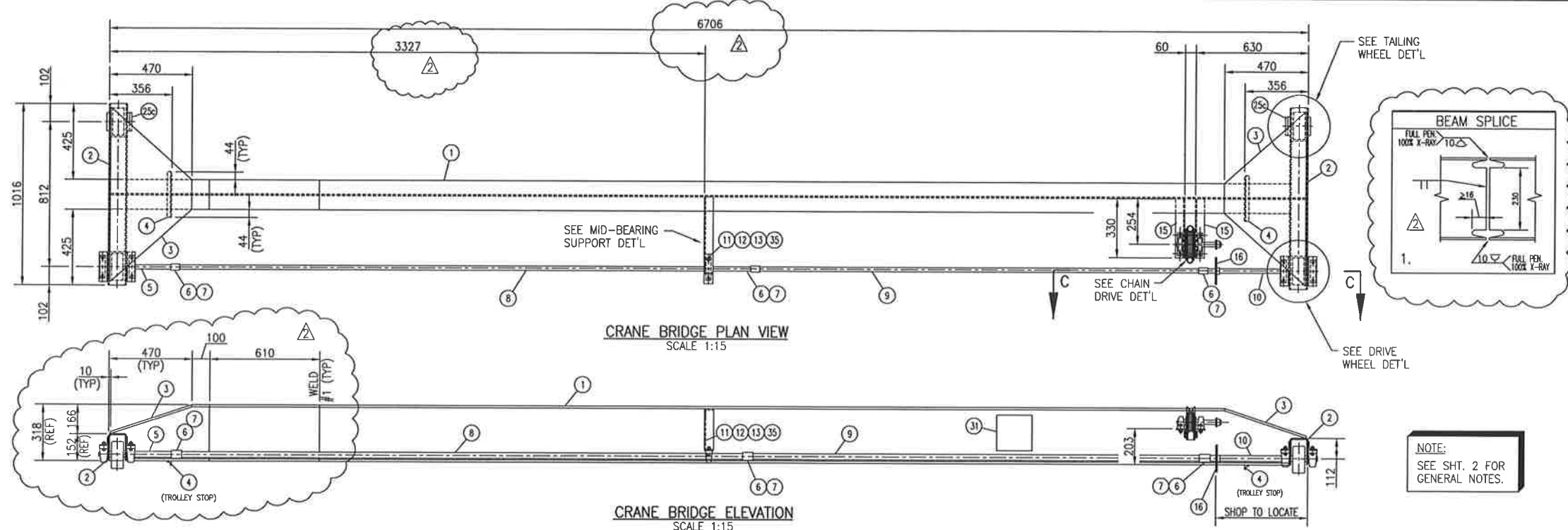
SHIM PLATE & SUGGESTED PILE LOCATIONS  
(2)-SHIM PLATES REQUIRED (UNDER SEAL PAN)  
SCALE 1:30

THIS DRAWING AND THE DESIGN IT COVERS ARE CONFIDENTIAL AND THE PROPERTY OF PROPAX SYSTEMS LTD., AND SHALL NOT BE DISCLOSED TO OTHERS OR REPRODUCED IN ANY MANNER OR USED FOR ANY PURPOSE WHATSOEVER EXCEPT BY WRITTEN CONSENT OF PROPAX.

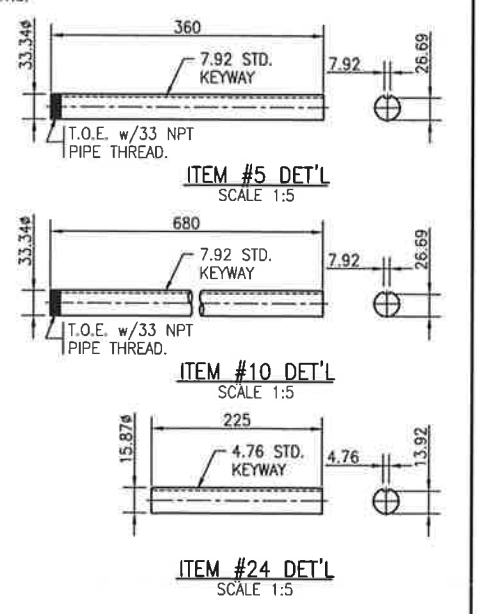
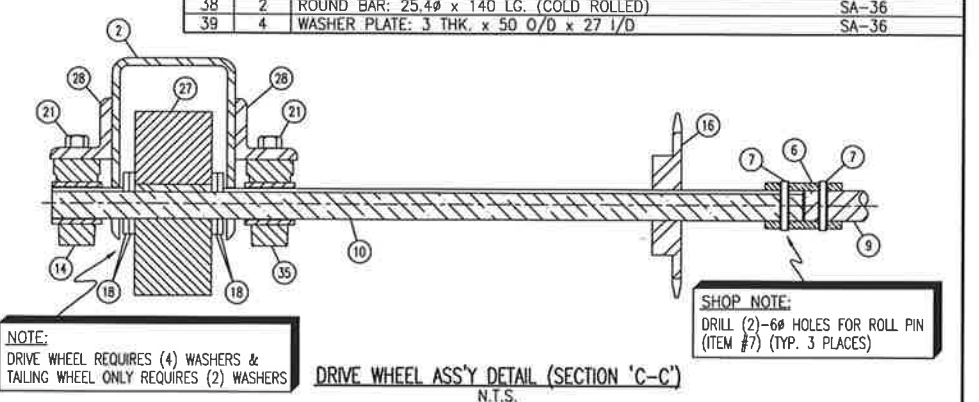
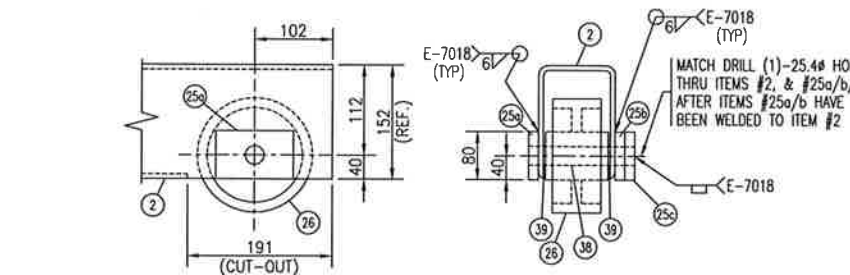
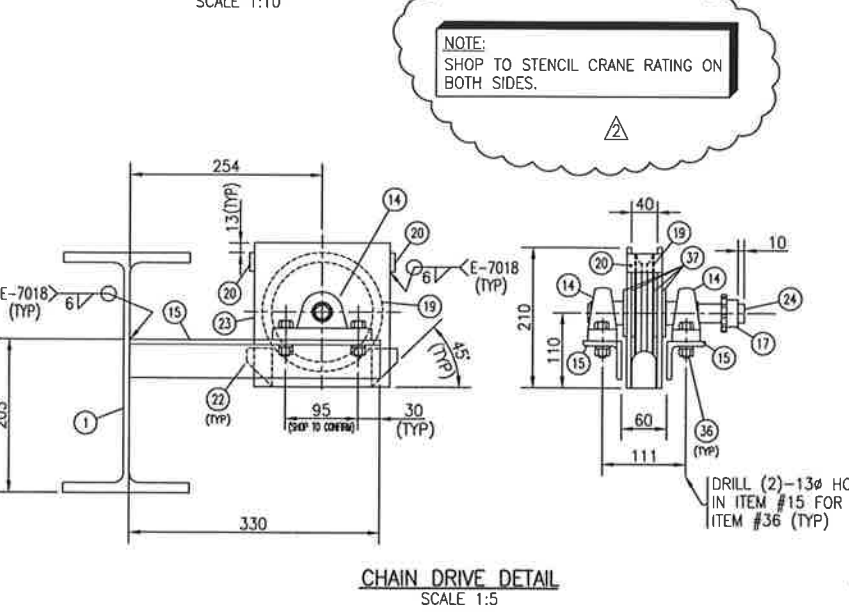
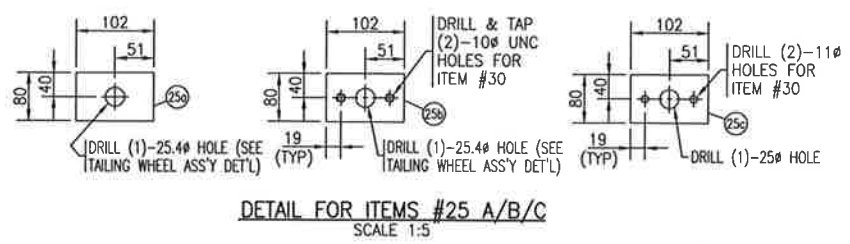
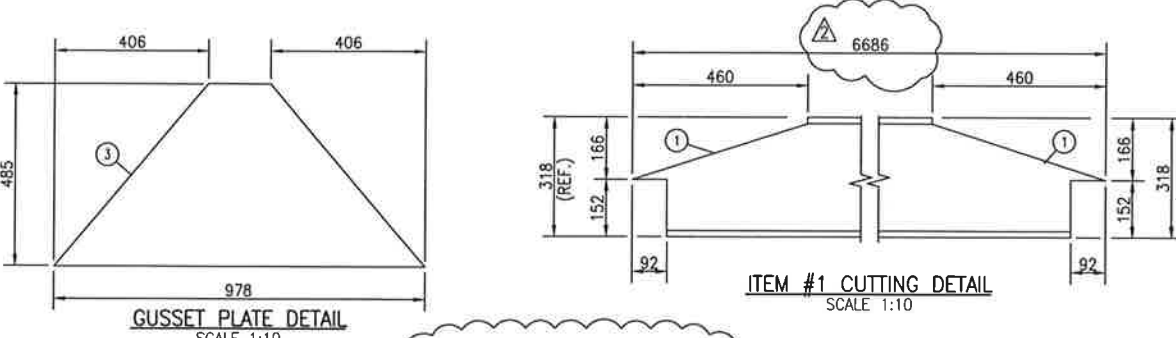
<p>DATE: 2000.05.29 10:18am FILE NAME: J:\jobs99\DWG\99420\Comp\SKD\SKD-99420-110A-04.dwg</p>		<p>GENERAL NOTES</p> <p>2 ADDED FILTER SUPPORT (ITEMS 308 &amp; 309)</p> <p>1 ISSUED FOR CONSTRUCTION</p>		<p>S.FARWELL 00/05/29 M.L. S.W.</p> <p>S.FARWELL 00/05/17 S.L. S.W.</p>	<p>APPROVED</p> <p>MECH./STRUCT. BY S.FARWELL</p> <p>DATE 00/05/03</p> <p>ELECTRICAL CHECKED</p> <p>DATE BY S. LESLIE</p> <p>PROJECT S. WARD DATE 00/05/17</p> <p>DATE 00/05/17</p>	<p>DRAWN</p> <p>BY S.FARWELL</p> <p>DATE 00/05/03</p> <p>CHECKED</p> <p>BY S. LESLIE</p> <p>DATE 00/05/17</p> <p>SCALE AS NOTED</p>	<p>PROPAX</p> <p>1380 HP STOCK COMPRESSOR</p> <p>SKID STEEL</p> <p>DETAILS</p>	<p>DWG. No.: D-SKD-99420-110A SHEET 4 OF 4 REV. 2</p>
-----------------------------------------------------------------------------------------------	--	-----------------------------------------------------------------------------------------------------------	--	-------------------------------------------------------------------------	-------------------------------------------------------------------------------------------------------------------------------------------------------------------------------------	-------------------------------------------------------------------------------------------------------------------------------------	--------------------------------------------------------------------------------	-------------------------------------------------------

**PROPAX**  
440 East Lake Road,  
Postal Bag #2  
Airdrie, Alberta  
Canada T4B 2C3

THIS DRAWING AND THE PROPERTY OF PROPAC SYSTEMS LTD., AND SHALL NOT BE DISCLOSED TO OTHERS OR REPRODUCED IN ANY MANNER OR USED FOR ANY PURPOSE WHATSOEVER EXCEPT BY WRITTEN CONSENT OF PROPAC.

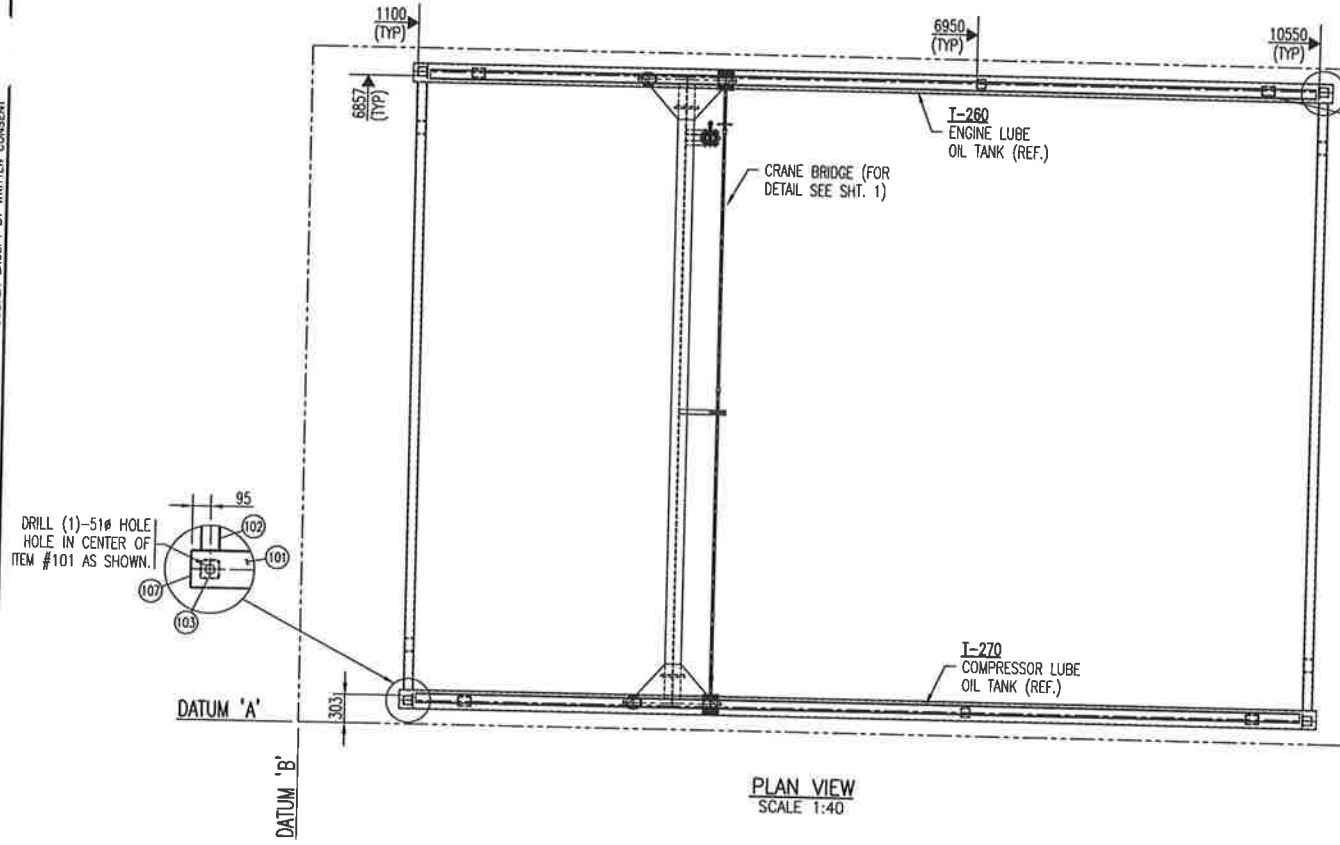


BILL OF MATERIAL			
ITEM	QUA	DESCRIPTION	
1	1	W310 x 52 kg/m x 6686LG.	G40.21M-300W
2	2	H.S.S.: 152 x 102 x 6 THK. x 1016 LG.	G40.21M-350W
3	2	PLATE: 13 THK. x 485 WD. x 978 LG (CTS)	SA-36
4	2	ANGLE: 25 x 25 x 6 THK. x 342 LG.	G40.21M-300W
5	1	AXLE: ROUND BAR 33.34 x 464 LG. (COLD ROLLED) (SEE KEYWAY MACHINING/THREADING DETAIL)	SA-36
6	3	COUPLING: 33-3000# NPT	SA-105
7	6	ROLL PIN: 6 x 45 LG.	C.S.
8	1	ROUND BAR: 33 x 3230 LG (COLD ROLLED) (TBE w/33 NPT PIPE THREAD)	SA-36
9	1	ROUND BAR: 33 x 2362 LG (COLD ROLLED) (TBE w/33 NPT PIPE THREAD)	SA-36
10	1	AXLE: ROUND BAR 33.34 x 680 LG. (COLD ROLLED) (SEE KEYWAY MACHINING/THREADING DETAIL)	SA-36
11	1	ANGLE: 51 x 51 x 6 THK. x 425 LG.	SA-36
12	1	ANGLE: 51 x 51 x 6 THK. x 275 LG. (CTS)	SA-36
13	1	FLAT BAR: 6 THK. x 51 WD x 183 LG	G40.21M-300W
14	2	PILLOW BLOCK: NSK (MDL UCP203-10) w/ 15.87# BUSHING (c/w SET SCREW)	SA-36
15	2	ANGLE: 51 x 51 x 6 THK. x 330 LG.	SA-36
16	1	SPROCKET: 15.88# PITCH x 109.75# #50SDS20 GATES S05010	C.S.
		TAPER-LOCK BUSHING FOR 33.34# SHAFT & 6.35 STD. KEYWAY.	
17	1	SPROCKET: 15.88# PITCH x 109.75# #50SDS20 GATES S05010	C.S.
		TAPER-LOCK BUSHING FOR 15.87# SHAFT & 4.76 STD. KEYWAY.	
18	8	WASHER PLATE: 3 THK. x 50 O/D x 34 I/D	SA-36
19	1	HAND CHAIN PULLEY: 178 x 15.87# BORE HUB c/w 4.76 SQUARE KEYWAY M3115-025 (OR EQUAL)	
20	2	FLAT BAR: 6 THK. x 25 WD. x 52 LG.	G40.21M-300W
21	10	BOLTS: 16 x 51 LG. c/w NUT & LOCK WASHER EA. (ZINC PLATED)	SA-325
22	2	PIPE: 33 O/D x 4.54 WT. x 51 LG. SMLS (CTS)	SA-106-B
23	2	PLATE: 6 THK x 210 WD. x 215 LG.	SA-36
24	1	AXLE: ROUND BAR 15.87# x 225 LG. (COLD ROLLED) (SEE KEYWAY MACHINING DETAIL)	SA-36
25	6	FLAT BAR: 13 THK. x 80 WD. x 102 LG.	G40.21M-300W
26	2	TAILING WHEEL: FLEXELLO (MDL WDF6258) 152#-4000# CAP 25.4# BEARING	FORGED STEEL
27	2	DRIVE WHEEL: PLATE 64 THK. x 152 O/D x 33 I/D c/w 7.92 x 3.96 STD. KEYWAY	FORGED STEEL
28	4	ANGLE: 51 x 51 x 6 THK. x 184 LG.	SA-36
29	1	ROLLER CHAIN: 16 (5/8") x 953 LG. (60 PITCHES) c/w LINK CONNECTOR	C.S.
30	4	BOLTS: 10 x 25 LG. c/w NUT & LOCK WASHER EA. (ZINC PLATED)	SA-325
31	1	NAMEPLATE	S.S.
32	1	TROLLEY: 2 TON CHAIN DRIVEN - KITO #TSC-020 (OR EQUAL)	
33	1	CHAIN HOIST: 2 TON MANUAL (5m CHAIN) KITO #CB020 (OR EQUAL)	
34	1	HAND GEARED PULLEY CHAIN FOR 5 m DROP - KIICF050	
35	5	PILLOW BLOCK: NSK (MDL UCP207-21) w/ 33.34# BUSHING (c/w SET SCREW)	SA-36
36	4	M/C BOLTS: 13 x 48 LG. c/w NUT & LOCK WASHER EA. (ZINC PLATED)	SA-325
37	4	WASHER PLATE: 3 THK. x 48 O/D x 16 I/D	SA-36
38	2	ROUND BAR: 25.4 x 140 LG. (COLD ROLLED)	SA-36
39	4	WASHER PLATE: 3 THK. x 50 O/D x 27 I/D	SA-36

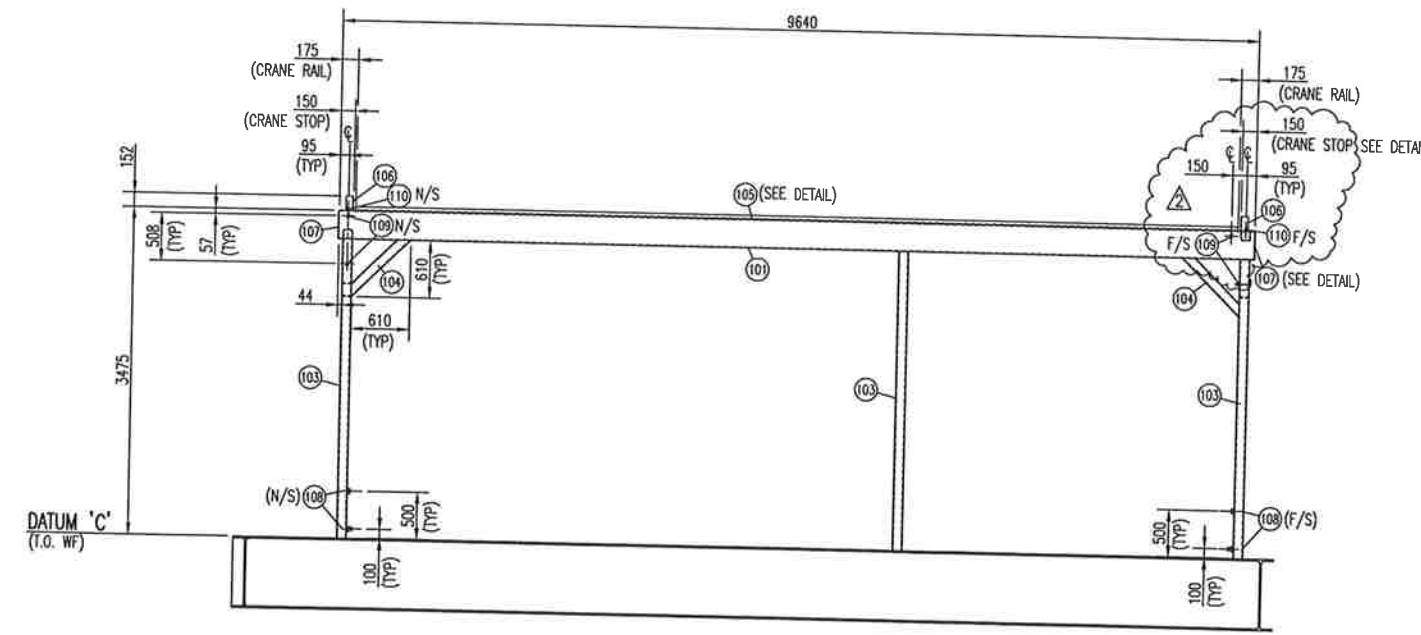


<b>GENERAL NOTES</b>		<b>GENERAL NOTES</b>		<b>APPROVED</b>		<b>DRAWN</b>		<b>PROPAC SYSTEMS LTD.</b>	
2 CORRECTED OVERALL LENGTH		S.FARWELL 00/07/18 M.A. S.W.		MECH./STRUCT.		BY G.ZAVALA/S.F.		440 East Lake Road,	
1 ISSUED FOR CONSTRUCTION		D. SMITH 00/05/25 N.I. S.W.		DATE		DATE MAY 19/99		Postal Bag #2	
				ELECTRICAL		CHECKED		Airdrie, Alberta	
				DATE		BY M. IWANUK		Canada T4B 2C3	
				PROJECT S. WARD		DATE 00/05/25			
				DATE 00/05/25		SCALE AS NOTED		DWG. No.: D-CRN-99420-110B SHT. 1 OF 2 REV. 2	

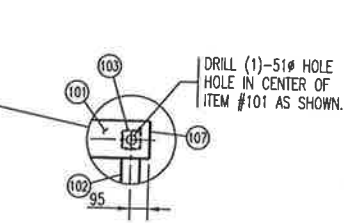
THIS DRAWING AND THE DESIGN IT COVERS ARE CONFIDENTIAL AND THE PROPERTY OF PROPAC SYSTEMS LTD., AND SHALL NOT BE DISCLOSED TO OTHERS OR REPRODUCED IN ANY MANNER OR USED FOR ANY PURPOSE WHATSOEVER WITHOUT THE WRITTEN CONSENT OF PROPAC.



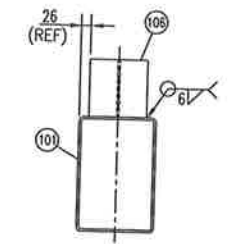
PLAN VIEW  
SCALE 1:40



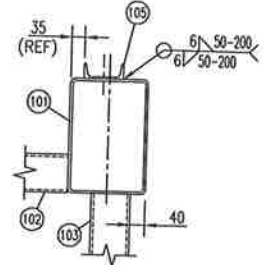
FRONT ELEVATION  
SCALE 1:40



SEAL PLATE DET'L  
SCALE 1:10  
(TYP. 4 PLACES)



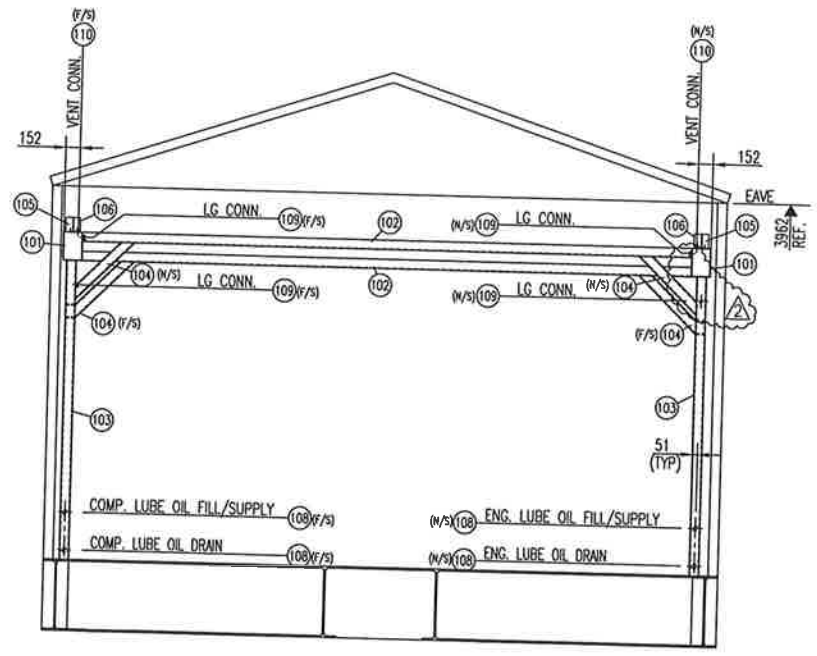
CRANE STOP DET'L  
SCALE 1:10  
(TYP. 4 PLACES)



CRANE RAIL DET'L  
SCALE 1:10  
(TYP. 2 PLACES)

BILL OF MATERIAL		
ITEM	QUA	DESCRIPTION
101	2	H.S.S.: 305 x 203 x 6 THK. x 9640 LG.
102	2	H.S.S.: 102 x 102 x 6 THK. x 6430 LG.
103	6	H.S.S.: 102 x 102 x 6 THK. x 3170 LG.
104	8	H.S.S.: 102 x 102 x 6 THK. x 865 LG. (CTS)
105	2	CHANNEL: C100 x 8 x 9290 LG.
106	2	WIDE FLANGE: W150 x 22 x 152 LG. (ONE MAKES TWO)
107	4	PLATE: 6 THK. x 197 WD. x 300 LG.
108	4	THREADELET: 33-3000# NPT (FLAT)
109	4	THREADELET: 21-3000# NPT (FLAT)
110	2	CPLG.: 17-3000# NPT c/w PLUG

- GENERAL NOTES:**
- APPROX. WEIGHT:  
CRANE RAIL & SUPPORTS: 1451 kg.  
CRANE BRIDGE: 770 kg.
  - REMOVE ALL SHARP EDGES AND BURRS.
  - CUT LENGTHS ARE EXACT WITH TOLERANCES +0/-3.
  - DRILL ALL HOLES, DO NOT FLAME CUT.
  - ALL WELDS TO BE 6mm CONT. FILLET (U.N.O.).
  - FINISH WITH PAINT SPEC.: PNT-11
  - COPE ALL MEMBERS AS REQUIRED.
  - ALL DIMENSIONS ARE IN MILLIMETERS.



RIGHT SIDE ELEVATION  
SCALE 1:40

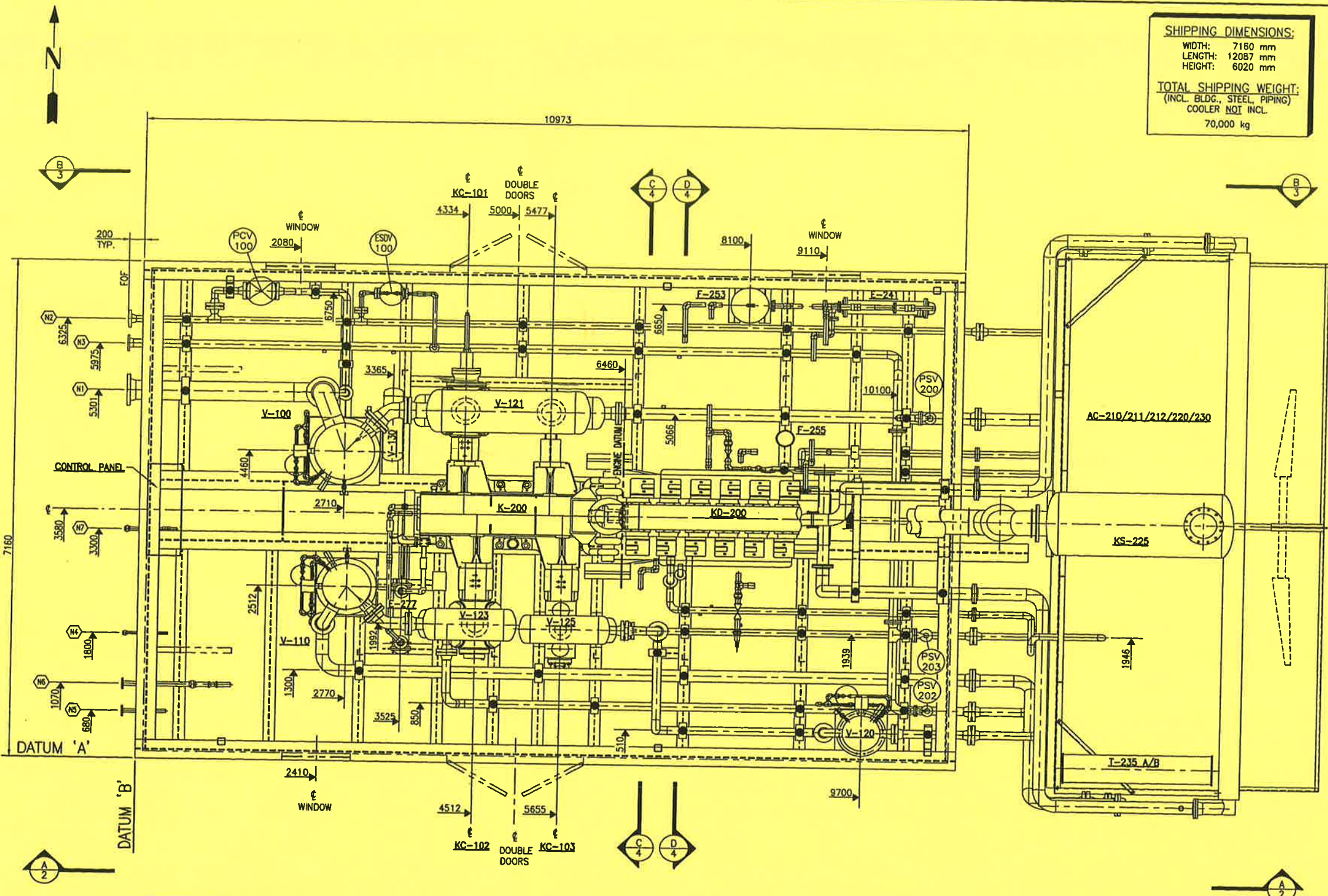
DATE	TIME	FILE NAME	GENERAL NOTES		NO.	REVISION		BY	DATE	CKD	ENG
			GENERAL NOTES	REVISION							
2000.07.05	10:31am	J:\jobs\99\DWG\99420\Comp\SKD\CRN-99420-110B-02.dwg	2	Moved items #109 on T-260				S.FARWELL	00/07/05	M.A.	S.W.
			1	ISSUED FOR CONSTRUCTION				D. SMITH	00/05/25	M.I.	S.W.

APPROVED		DRAWN	
MECH./STRUCT.	BY S.FARWELL	BY S.FARWELL	DATE 00/01/18
DATE	DATE	ELECTRICAL	CHECKED
DATE	DATE	BY M. IWANIUK	DATE 00/05/15
PROJECT S. WARD	DATE 00/05/15	SCALE AS NOTED	

PROPAC SYSTEMS LTD.  
1478HP STOCK COMPRESSOR PACKAGE  
CRANE RAIL SUPPORTS

**PROPAC**  
440 East Lake Road,  
Postal Bag #2  
Airdrie, Alberta  
Canada T4B 2C3

THIS DRAWING AND THE DESIGN IT COVERS ARE CONFIDENTIAL AND THE PROPERTY OF PROPAK SYSTEMS LTD. AND SHALL NOT BE DISCLOSED TO OTHERS OR REPRODUCED IN ANY MANNER OR USED FOR ANY PURPOSE WHATSOEVER EXCEPT BY WRITTEN CONSENT



**SHIPPING DIMENSIONS:**  
 WIDTH: 7160 mm  
 LENGTH: 12087 mm  
 HEIGHT: 6020 mm  
**TOTAL SHIPPING WEIGHT:**  
 (INCL. BLDG., STEEL, PIPING)  
 COOLER NOT INCL.  
 70,000 kg

		NOZZLE SCHEDULE				
MK	SIZE	RATING	FACING	SERVICE	ELEVATION	
N1	273	300#	RFWN	INLET	-426	
N2	89	900#	RFWN	OUTLET	-518	
N3	114	150#	RFWN	FLARE	-505	
N4	33	3000#	UNION	HCL DRAIN	-150	
N5	60	150#	RFSW	CLEAN FUEL GAS SUPPLY	-150	
N6	60	150#	RFSW	CLEAN START GAS SUPPLY	-150	
N7	48	3000#	UNION	WASTE OIL PUMP OUT	-150	

⊕ ELEVATIONS ARE FROM T.O. WF

MAJOR COMPONENTS		WEIGHTS:
<b>COMPRESSOR:</b> DRESSER RAND 6HOS 4 THROW, 3 STAGE		8390 kg (INCL. CYLINDERS)
<b>DRIVER:</b> WAUKESHA 5794GSI		9525 kg
<b>COOLER:</b> AERIAL COOLER PROPAK 1-SV-1-156-312-F		20700 kg
<b>SCRUBBERS:</b>		
V-100	1st STG.: 813ø x 1930 S/S x 4516 kPag	1842 kg
V-110	2nd STG.: 660ø x 1626 S/S x 4516 kPag	1080 kg
V-120	3rd STG.: 508ø x 1473 S/S x 9067 kPag	816 kg
<b>BOTTLES:</b>		
<b>STAGE #1</b>		
V-121	SUCTION: 610ø x 1778 S/S x 4516 kPag	797 kg
V-122	DISCHARGE: 457ø x 2235 S/S x 4447 kPag	586 kg
<b>STAGE #2</b>		
V-123	SUCTION: 457ø x 914 S/S x 4516 kPag	301 kg
V-124	DISCHARGE: 406ø x 1016 S/S x 8908 kPag	460 kg
<b>STAGE #3</b>		
V-125	SUCTION: 406ø x 914 S/S x 9067 kPag	402 kg
V-126	DISCHARGE: 356ø x 1016 S/S x 11377 kPag	393 kg

**UNBALANCED INERTIA FORCES ON FOUNDATION**

FOUNDATION MUST BE DESIGNED TO RESIST THE FOLLOWING FORCES:

MAXIMUM HORIZONTAL PRIMARY FORCES	347 LBS
MAXIMUM HORIZONTAL SECONDARY FORCES	92 LBS
MAXIMUM VERTICAL PRIMARY FORCES	0 LBS
MAXIMUM VERTICAL SECONDARY FORCES	0 LBS

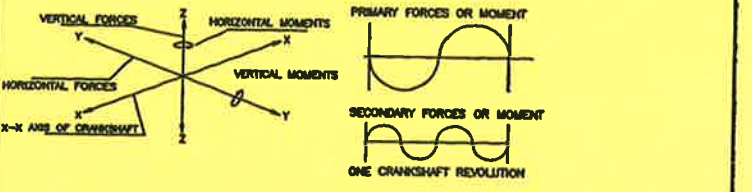
  

MAXIMUM HORIZONTAL PRIMARY MOMENT (ABT. AXIS Z-Z)	14,422 FT-LBS
MAXIMUM HORIZONTAL SECONDARY MOMENT (ABT. AXIS Z-Z)	1112 FT-LBS
MAXIMUM VERTICAL PRIMARY MOMENT (ABT. AXIS Y-Y)	25,157 FT-LBS
MAXIMUM VERTICAL SECONDARY MOMENT (ABT. AXIS Y-Y)	0 FT-LBS

ABOVE UNBALANCED FIGURED AT 1200 RPM. 2 LB. MAX. IMBALANCE  
 AT OTHER SPEEDS THIS UNBALANCED WILL VARY BY:  $\left(\frac{\text{NEW SPEED}}{\text{CALCULATED SPEED}}\right)^2$

NOTED 1: MOMENT TAKEN ABOUT AXIS THROUGH CENTER OF SHAFT FORCES AS ACTING ON CENTER OF SHAFT.

NOTED 2: PRIMARY FORCES AND THE MOMENTS CHANGE FROM ZERO TO MAXIMUM THEN ABOVE TO ZERO TO SAME MAXIMUM IN REVERSE DIRECTION AND BACK TO ZERO ONCE IN A CRANKSHAFT REVOLUTION. SECONDARY FORCES AND MOMENTS GO THROUGH THIS CYCLE TWICE IN A REVOLUTION. THE SKETCH SHOWS THIS.



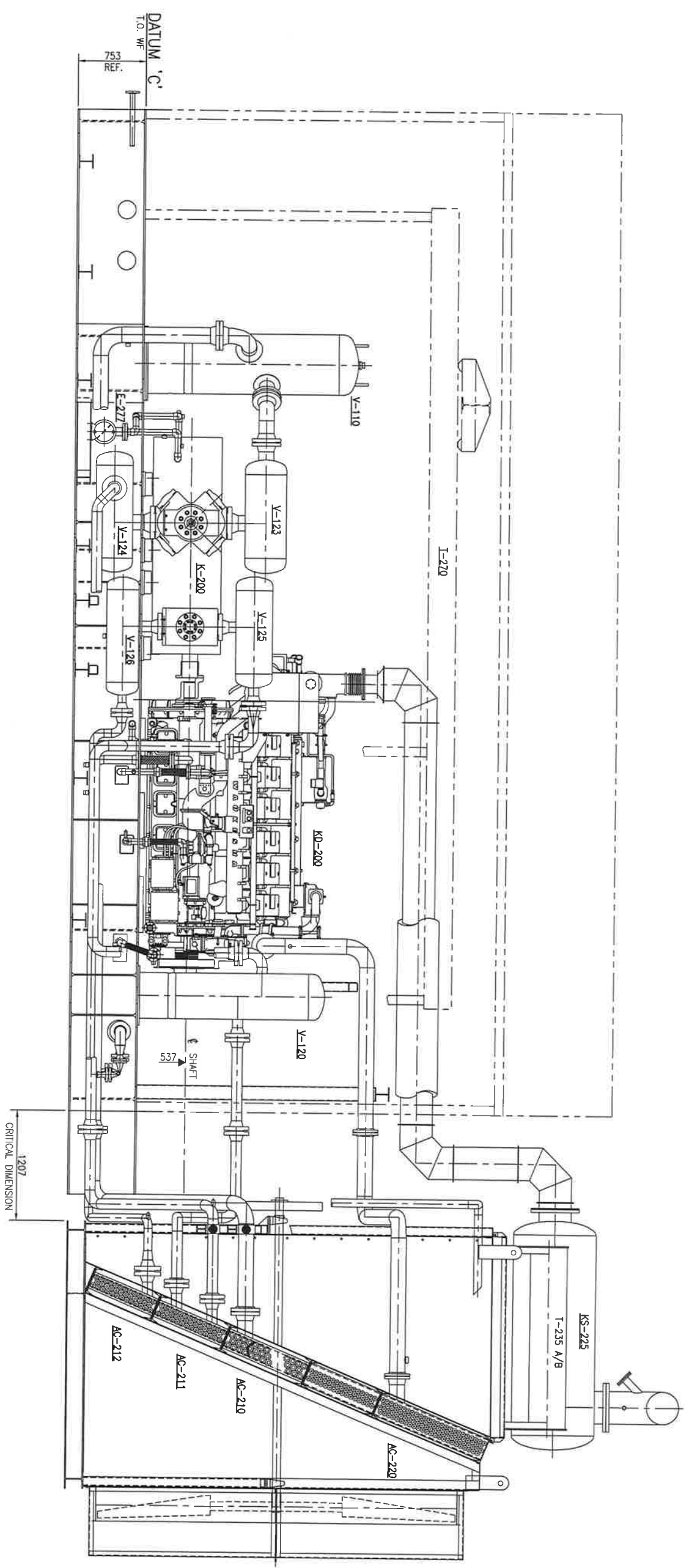
NOTED 3: UNIT ORIGIN IS ⊕ DATUM INTERSECTION ⊕ TOP OF BLDG  
 NOTED 4: UNIT APPROX. CENTRE OF GRAVITY: (C.Y.Z) = (SEE LIFTING DIAGRAM INT.2)

**CLAMPING LEGEND**  
 ● DENOTES HEAVY DUTY CLAMP

PLAN VIEW

GENERAL NOTES		GENERAL NOTES		REVISION		APPROVED		DRAWN		PROJECT	
DATE: 2000.09.21 2:27pm	FILE NAME: J:\jobs99\DWG\99420\Comp\ASY\ASY-99420-152-01.dwg	3	UNBALANCED FORCES REV'D	D. SMITH	00/09/21	BY	S. FARWELL	DATE	00/01/19	PROPAC	
		2	ADDED TAG #'S TO VESSEL DESCRIPTIONS	S. BRODIE	00/09/01	BY	M. IWANIUK	DATE	00/06/08	1380 HP STOCK COMPRESSOR PACKAGE	
		1	ISSUED FOR CONSTRUCTION	S. FARWELL	00/06/08	BY	S. WARD	DATE	00/06/09	W1380, 6 HOS 3	
						BY		SCALE	1:30	LAYOUT-PLAN VIEW	
						DATE	00/06/09			DWG. No.: D-ASY-99420-152	
						CKD				SHEET 1 OF 4	
						ENG				REV. 3	

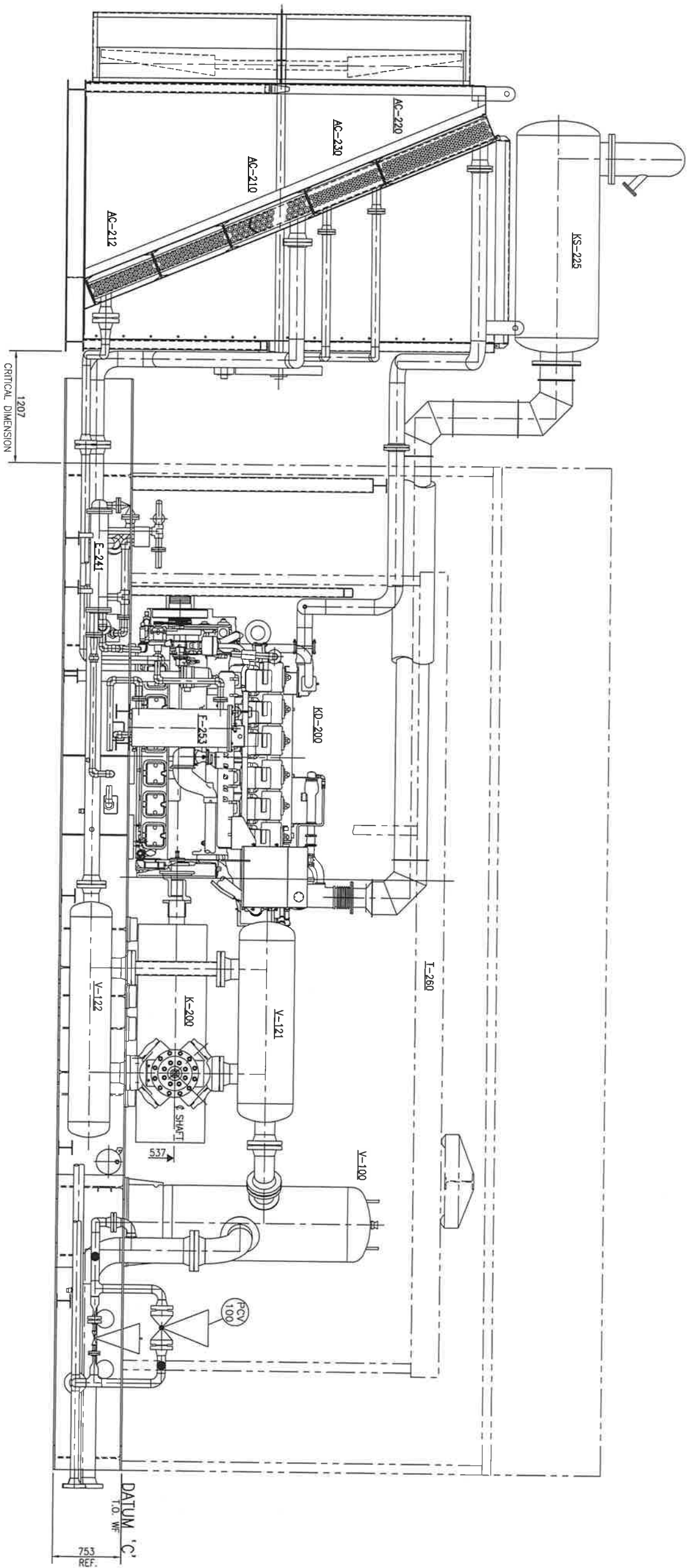
**PROPAC**  
 440 East Lake Road,  
 Postal Bag #2  
 Aldrie, Alberta  
 Canada T4B 2C3



VIEW 'A-A'

GENERAL NOTES		GENERAL NOTES		APPROVED		DRAWN		PROPAK 1380 HP STOCK COMPRESSOR PACKAGE LAYOUT (VIEW 'A-A')
GENERAL NOTES		GENERAL NOTES		REGD. / STRUCT.	BY	S. FARWELL		
GENERAL NOTES		GENERAL NOTES		DATE	DATE	00/01/19		
GENERAL NOTES		GENERAL NOTES		ELECTRICAL	BY	M. WANIUK		
GENERAL NOTES		GENERAL NOTES		PROJECT	DATE	00/06/08		
GENERAL NOTES		GENERAL NOTES		DATE	DATE	00/06/09		
GENERAL NOTES		GENERAL NOTES		SCALE	SCALE	1:25		
GENERAL NOTES		GENERAL NOTES		No.:		Dwg. D-ASY-99420-152		
GENERAL NOTES		GENERAL NOTES		No.:		SHEET 2 OF 4		
GENERAL NOTES		GENERAL NOTES		No.:		REV. 1		

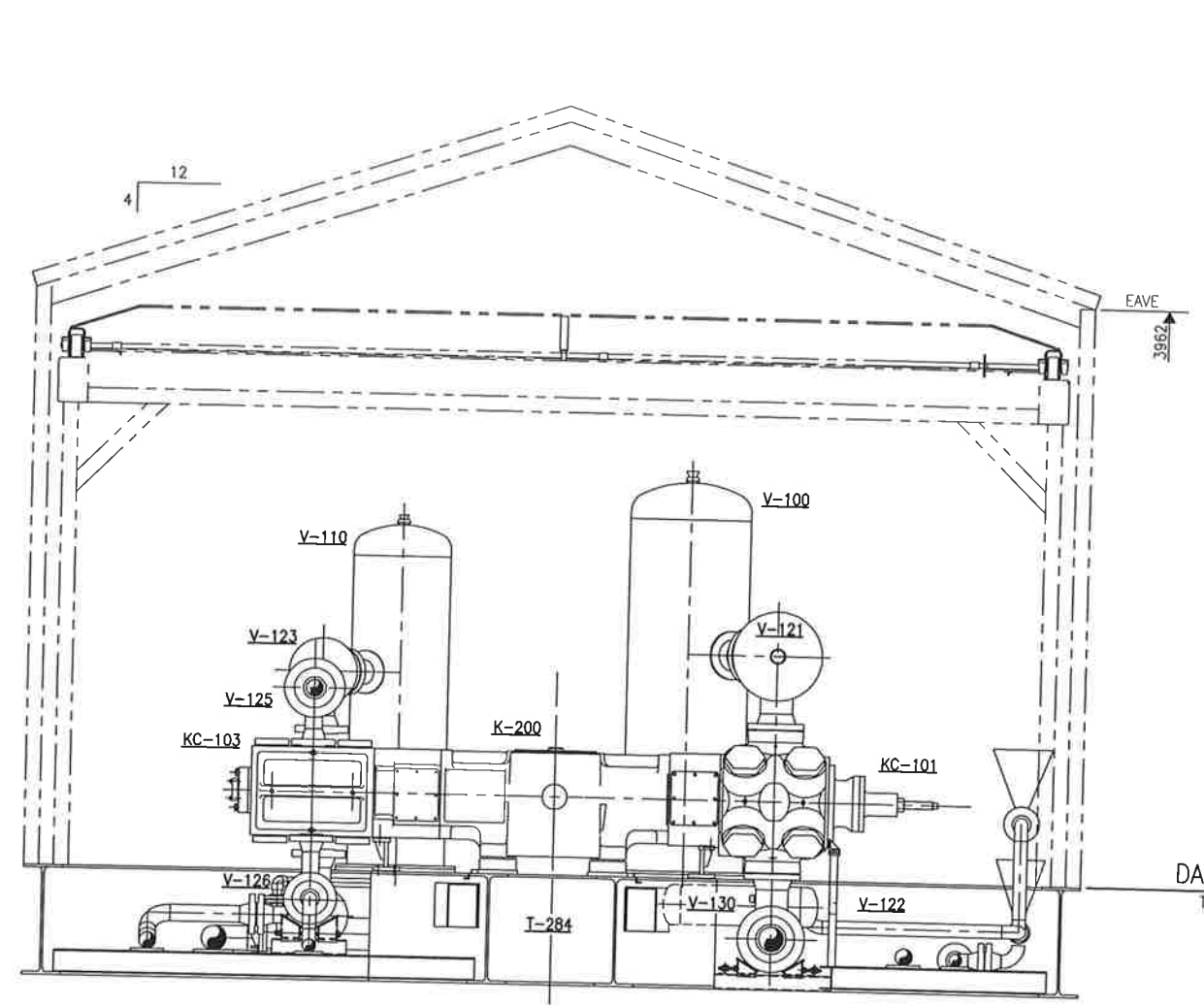




VIEW 'B-B'

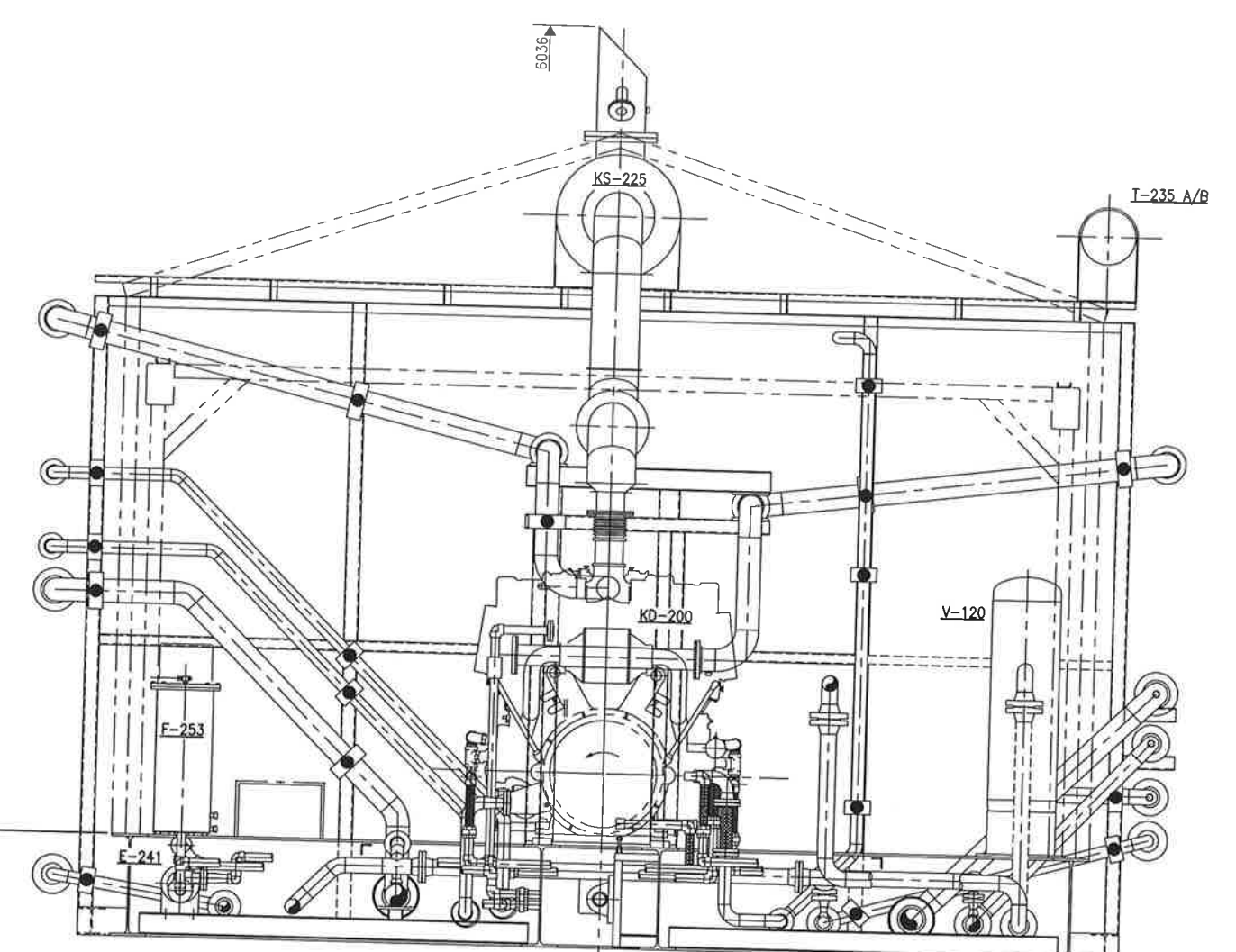
GENERAL NOTES		GENERAL NOTES		No.	1	ISSUED FOR CONSTRUCTION	REVISION	BY	DATE	CKD	ENG	APPROVED	DRAWN	PROJECT	SCALE	DWG. No.	SHEET
								S. FARWELL	00/06/08			S. FARWELL	S. FARWELL	1380 HP STOCK COMPRESSOR PACKAGE LAYOUT (VIEW 'B-B')	1:25	D-ASY-99420-152	3 OF 4

THIS DRAWING AND THE DESIGN IT COVERS ARE CONFIDENTIAL AND THE PROPERTY OF PROPAK SYSTEMS LTD. AND SHALL NOT BE DISCLOSED TO OTHERS OR REPRODUCED IN ANY MANNER OR USED FOR ANY PURPOSE WHATSOEVER EXCEPT BY WRITTEN CONSENT OF PROPAK.



VIEW 'C-C'

\* NOTE: V-130 ELEVATION -180 FROM DATUM 'C'



VIEW 'D-D'

\* NOTE: JACKSHAFT ELEVATION -390 FROM DATUM 'C'

GENERAL NOTES		REVISION		BY	DATE	CKD	ENG
1		ISSUED FOR CONSTRUCTION		S.FARWELL	00/06/08	M.J.	S.W.

APPROVED		DRAWN	
MECH./STRUCT.	BY S.FARWELL	DATE	00/01/19
ELECTRICAL	BY M.IWANIUK	DATE	00/06/08
PROJECT	S.WARD	DATE	00/06/09
DATE		SCALE	1:25

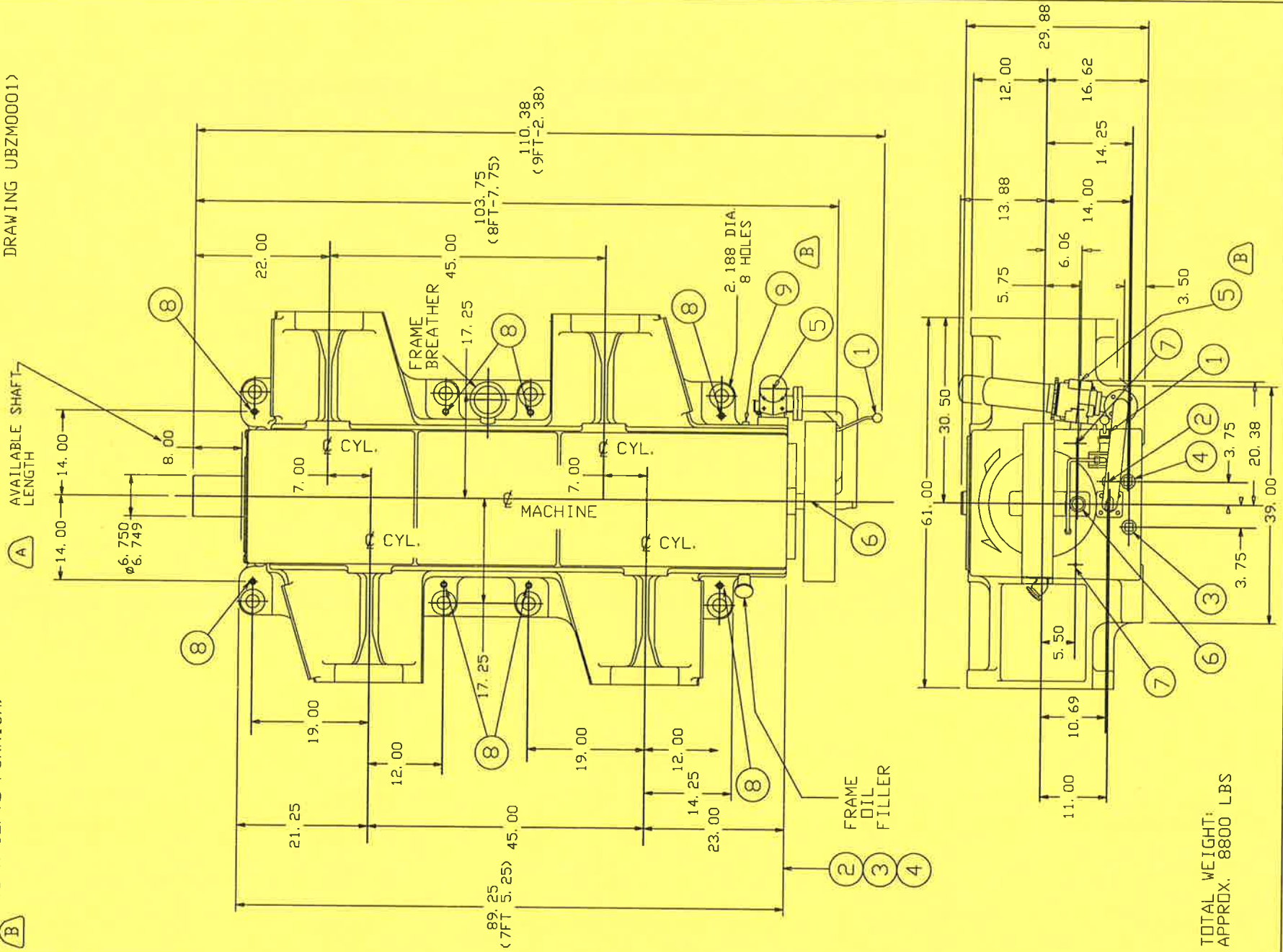
PROPAC  
 1380 HP STOCK COMPRESSOR PACKAGE  
 LAYOUT  
 (VIEW 'C-C' & 'D-D')  
 DWG. No.: D-ASY-99420-152 SHEET 4 OF 4 REV. 1

**PROPAK**  
 440 East Lake Road,  
 Postal Bag #2  
 Airdrie, Alberta  
 Canada T4B 2C3

THIS DRAWING AND THE DESIGN IT COVERS ARE CONFIDENTIAL AND THE PROPERTY OF PROPAK SYSTEMS LTD., AND SHALL NOT BE DISCLOSED TO OTHERS OR REPRODUCED IN ANY MANNER OR USED FOR ANY PURPOSE WHATSOEVER WITHOUT THE WRITTEN CONSENT OF PROPAK.

- ① HAND OIL PUMP
- ② FRAME OIL LEVEL INDICATOR
- ③ 2.000 NPT FRAME OIL DRAIN (PLUGGED)
- ④ 2.000 NPT FRAME OIL HEATER (PLUGGED)
- ⑤ FRAME OIL INLET FROM COOLER; 2" WELD SOCKET OR 2" NPT FLANGE (D-R CO. TO FURNISH) DRAWING UBZM0001

- ⑥ FRAME OIL OUTLET TO COOLER, SPECIAL 2.000 SOCKET WELD FLANGE CONN. (D-R CO. TO FURNISH)
- ⑦ 500 NPT-2 HOLES (PLUGGED)
- ⑧ LEVELING SCREWS .875-9 UNC-2B
- ⑨ DIFFERENTIAL PRESSURE INDICATOR (D-R CO. TO FURNISH)



B		ADDED FILTER @ ITEM 5 & ADDED ITEM 9	ECN 99B0264	6/8/99	WEC/KWL	K. W. LOCEY	6/22/98	60000# MACRL	6.00	HOS / VPD
A		ADDED 8.00 DIMM. CORRECTED JACKSCREW ITEM 8 LOCATIONS IN CENTER OF FRAME	98B0610	10/14/98	KWL	T. GRESHAM	6/22/98	FRAME - 4 CYLINDER		
						K. W. LOCEY	6/22/98	AAZD4001 B		
								1"=1FT		

GENERAL NOTES		GENERAL NOTES		REVISION		BY		DATE		CKD		ENG	
DATE: 2000.05.29 10:34am		FILE NAME: J:\Jobs99\DWG\99420\Comp\ASY\ASY-99420-152-CMP-01.dwg		1		ISSUED FOR CONSTRUCTION		S.FARWELL 00/05/28		M.X.		[Signature]	

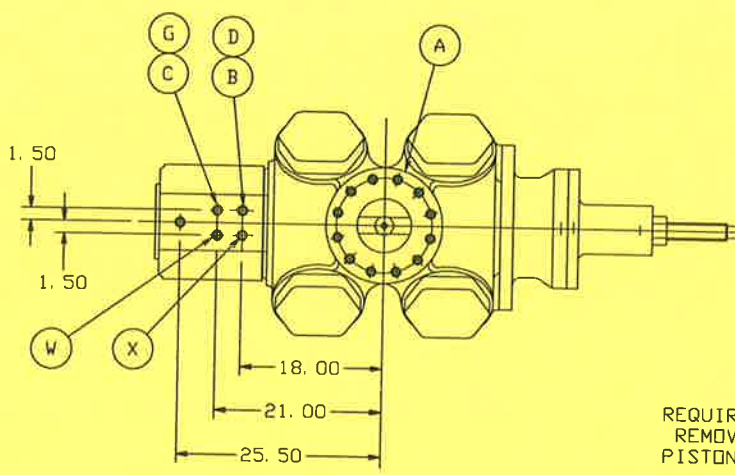
APPROVED		DRAWN	
MECH./STRUCT.	BY	BY	S.FARWELL
DATE	DATE	DATE	00/05/19
ELECTRICAL	CHECKED	DATE	M. J. [Signature]
PROJECT	DATE	DATE	May 27/00
DATE	SCALE	N.T.S.	

**PROPAK**  
 1380 HP STOCK COMPRESSOR PACKAGE  
 COMPRESSOR REFERENCE DWG.  
 DESSER RAND 6HOS 4 THROW  
 DWG. No.: B-ASY-99420-152-CMP SHEET 1 OF 1  
 REV. 1

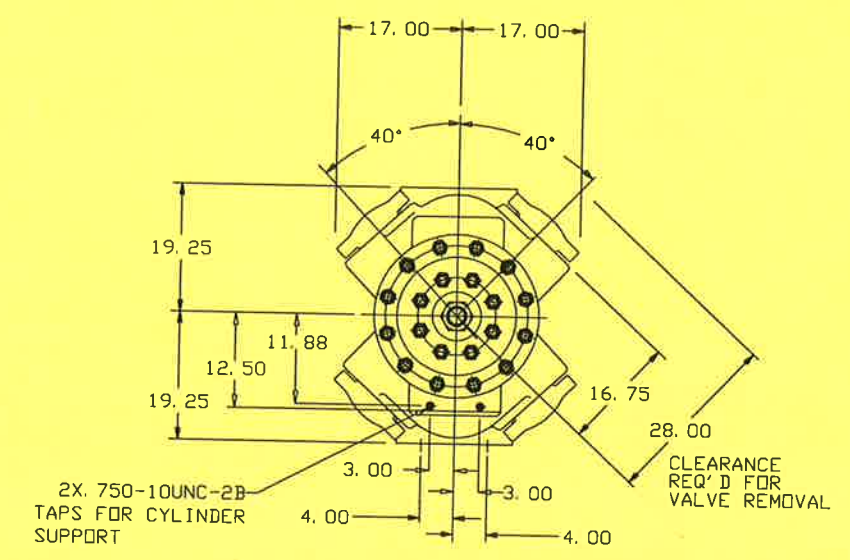
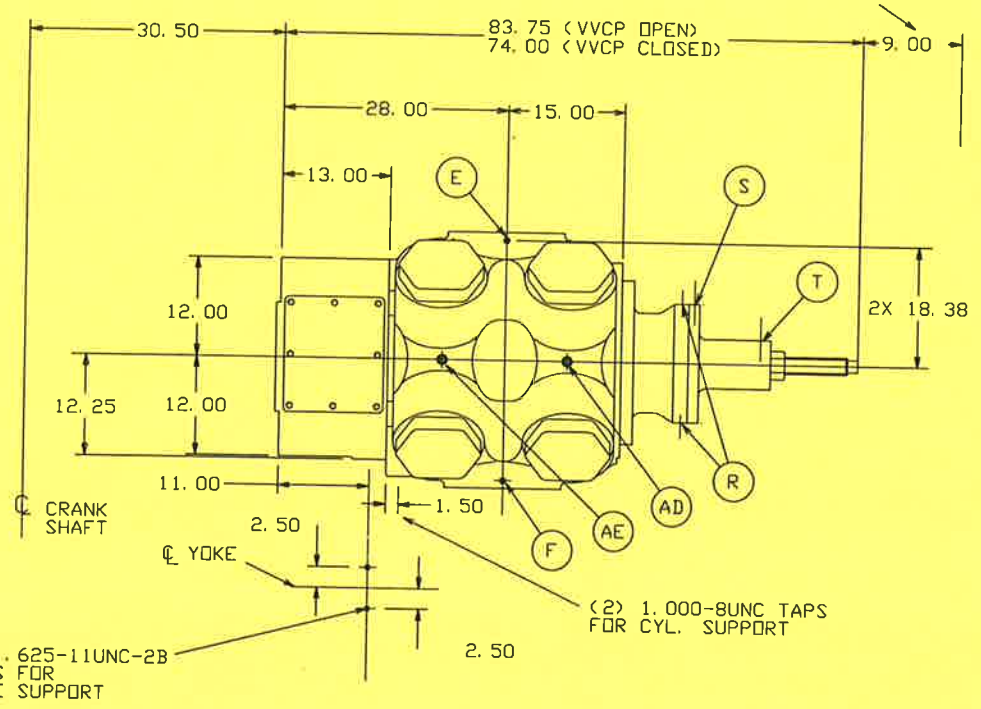
**PROPAK**  
 440 East Lake Road,  
 Postal Bag #2  
 Airdrie, Alberta  
 Canada T4B 2C3

THE DESIGN IT COVERS ARE CONFIDENTIAL AND THE PROPERTY OF PROPAK SYSTEMS LTD., AND SHALL NOT BE DISCLOSED TO OTHERS OR REPRODUCED IN ANY MANNER OR USED FOR ANY PURPOSE WHATSOEVER EXCEPT BY WRITTEN CONSENT OF PROPAK.

A	ADDED W AND X CONNS.	01/25/00	KVL/GWT
---	----------------------	----------	---------



- A) 8.00-300#FF FLANGE CONN-INLET & DISCH - TOP & BOTTOM  
12-.875 STUDS ON 13.000 DIA. B.C. 15.00 FLANGE DIA.
- B) .25 NPT -- PACKING LUBE CONN ----- TOP
- C) .25 NPT -- PACKING VENT/DRAIN CONN ----- BOTTOM
- D) .75 NPT -- YOKE DRAIN/PURGE CONN ----- BOTTOM
- E) .25 NPT -- CYL BORE LUBE CONN ----- TOP
- F) .25 NPT -- CYL BORE LUBE CONN ----- BOTTOM
- G) .75 NPT -- YOKE VENT CONN ----- TOP
- R) .125 NPT -- VVCP HEAD VENT TO NON-HAZARDOUS AREA -- TOP OR BOT
- S) .125 NPT -- VVCP ROD PKG VENT TO NON-HAZ AREA ----- TOP
- T) .125 NPT -- VENT ----- TOP
- W) .25 NPT -- SCRAPER PURGE CONN ----- TOP
- X) .25 NPT -- PACKING PURGE CONN ----- TOP
- AE) .50 NPT -- FRAME END INDICATOR CONN ----- SIDE
- AD) .50 NPT -- CYLINDER END INDICATOR CONN ----- SIDE



TOTAL WEIGHT: APPROX. 3550 LBS

29C 109 124C 149C

WE CASPER	6/16/99	15.00	6.00	HDS
KW LOCEY	6/16/99	OUTLINE - 15.00" CYL W/VVCP		
AL INGLE	6/16/99	HJHD1502 A		

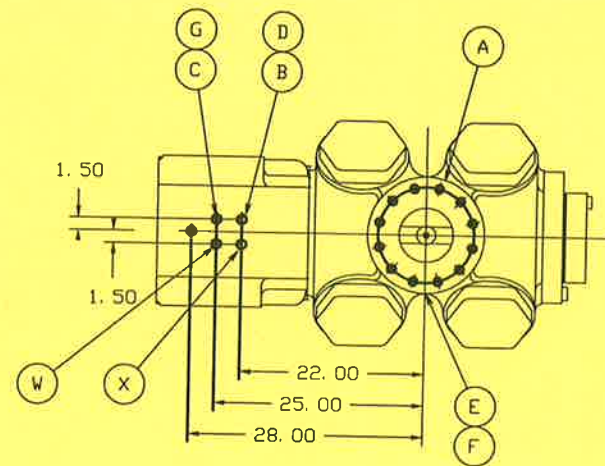
1"=1"

PLANT PLAN FORMAT(ANSI 14.5Y 1982) (TULSA)  
C SIZE (FULL 17.00 X 22.00) FORMAT

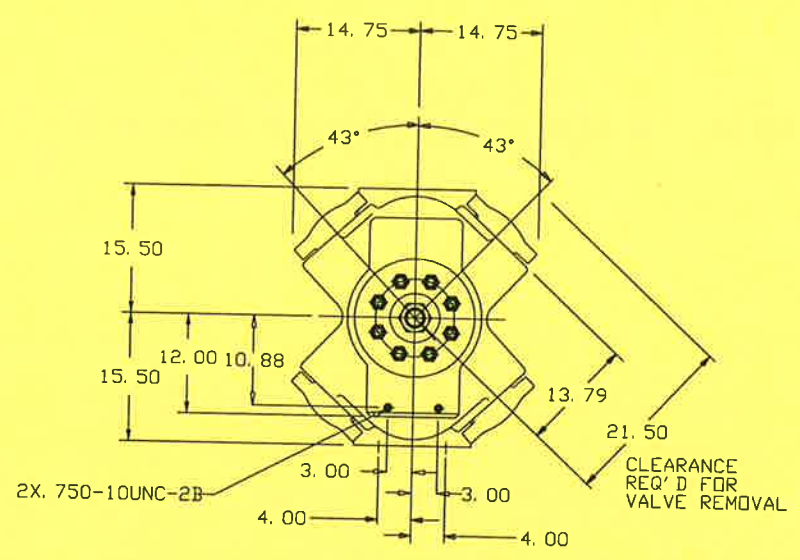
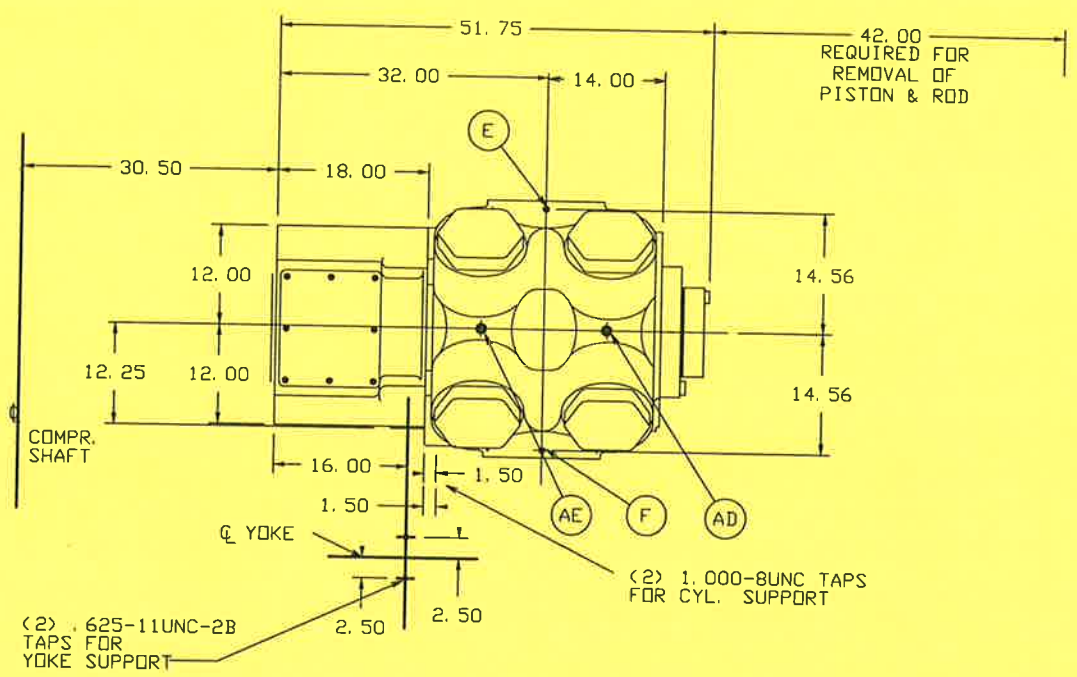
GENERAL NOTES		GENERAL NOTES		REVISION		APPROVED		DRAWN	
DATE: 2000.05.29 10:37am	FILE NAME: J:\jobs99\DWG\99420\Comp\ASY\ASY-99420-152-CYL-01.dwg	No.	1	ISSUED FOR CONSTRUCTION	S.FARWELL	00/05/29	MI	BY	S.FARWELL
								DATE	00/05/19
								ELECTRICAL	CHECKED
								DATE	M. I. WANILU
								PROJECT	DATE
								DATE	MAY 29/00
								SCALE	N.T.S.

<b>PROPAK</b> 440 East Lake Road, Postal Bag #2 Airdrie, Alberta Canada T4B 2C3	
PROPAC 1380 HP STOCK COMPRESSOR PACKAGE CYLINDER REFERENCE DWG. DESSER RAND STAGE #1 - 15"Ø c/w WCP	
DWG. No.: B-ASY-99420-152-CYL	SHEET 1 OF 3 REV. 1

THIS DRAWING AND THE DESIGN IT COVERS ARE CONFIDENTIAL AND THE PROPERTY OF PROPAK SYSTEMS LTD. AND SHALL NOT BE DISCLOSED TO OTHERS OR REPRODUCED IN ANY MANNER OR USED FOR ANY PURPOSE WHATSOEVER WITHOUT THE WRITTEN CONSENT OF PROPAK.



- A) 6.00-600#FF FLANGE CONN-INLET & DISCH - TOP & BOTTOM  
12-1.000 BOLTS ON 11.500 DIA. B.C. 14.00 FLANGE DIA.
- B) .25 NPT -- PACKING LUBE CONN ----- TOP
- C) .25 NPT -- PACKING VENT/DRAIN CONN ----- BOTTOM
- D) .75 NPT -- YOKE DRAIN/PURGE CONN ----- BOTTOM
- E) .25 NPT -- CYL BORE LUBE CONN ----- TOP
- F) .25 NPT -- CYL BORE LUBE CONN ----- BOTTOM
- G) .75 NPT -- YOKE VENT CONN. ----- TOP
- W) .25 NPT -- SCRAPER PURGE CONN ----- TOP
- X) .25 NPT -- PACKING PURGE CONN ----- TOP
- AE) .50 NPT -- FRAME END INDICATOR CONN -----SIDE
- AD) .50 NPT -- CYLINDER END INDICATOR CONN -----SIDE



TOTAL WEIGHT: APPROX. 3200 LBS

29C 109C 124C 149C

KW LOCEY	1/25/00	9.50	6.00	HDS
GW TAS	1/25/00	OUTLINE - 9.50" CYLINDER		
GW TAS	1/25/00	HJH0903		

NTS 1 1

HJH0903 1

PLANT PLAN FORMAT(ANSI 14.5Y 1982) (TULSA)  
C SIZE (FULL 17.00 X 22.00 ) FORMAT

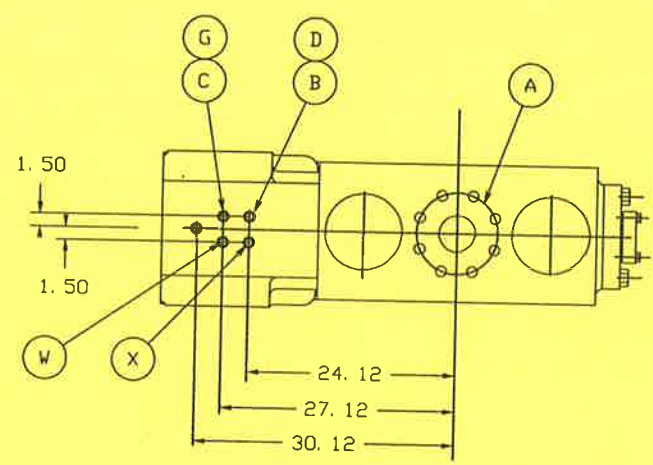
GENERAL NOTES		GENERAL NOTES		REVISION		BY	DATE	CKD	ENG
DATE: 2000.05.29 10:35am FILE NAME: J:\jobs99\DWG\99420\Comp\ASY\ASY-99420-152-CYL-02.dwg		1 ISSUED FOR CONSTRUCTION				S.FARWELL	00/05/29	M.F.	GW

APPROVED		DRAWN	
MECH./STRUCT.	BY S.FARWELL	DATE	00/05/19
ELECTRICAL	CHECKED	DATE	MAY 29/00
PROJECT	DATE	SCALE	N.T.S.

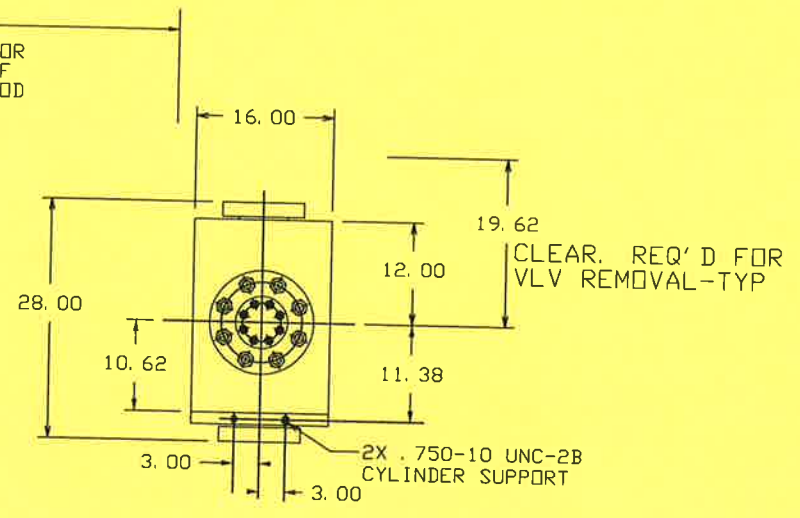
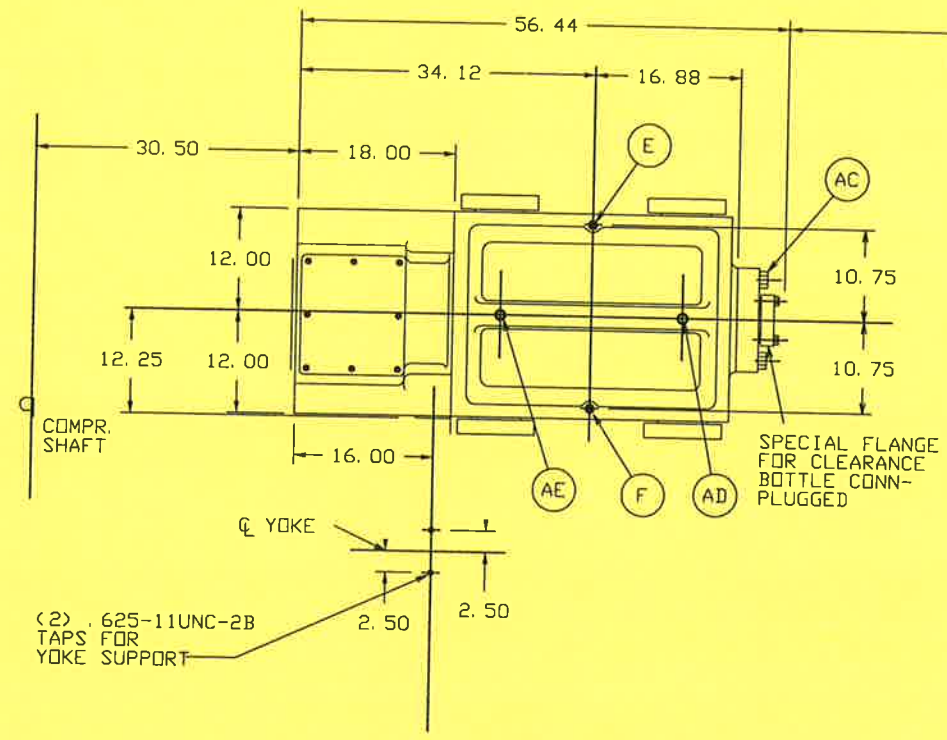
PROPAC	
1380 HP STOCK COMPRESSOR PACKAGE CYLINDER REFERENCE DWG. DESSER RAND STAGE #2 - 9.5"	
DWG. No.:	B-ASY-99420-152-CYL SHEET 2 OF 3
REV.	1

**PROPAC**  
440 East Lake Road,  
Postal Bag #2  
Airdrie, Alberta  
Canada T4B 2C3

THE DESIGN IT COVERS ARE CONFIDENTIAL AND THE PROPERTY OF PROPAK SYSTEMS LTD., AND SHALL NOT BE DISCLOSED TO OTHERS OR REPRODUCED IN ANY MANNER OR USED FOR ANY PURPOSE WHATSOEVER EXCEPT BY WRITTEN CONSENT OF PROPAK.



- A) 4.00-900# FF FLANGE CONN-INLET TOP & DISCH. BOTTOM  
8-1.125 BOLTS ON 9.250 DIA B.C. 12.25 FLANGE DIA
- B) .25 NPT -- PACKING LUBE CONN ----- TOP
- C) .25 NPT -- PACKING VENT/DRAIN CONN ----- BOTTOM
- D) .75 NPT -- YOKE DRAIN/PURGE CONN ----- BOTTOM
- E) .25 NPT -- CYL BORE LUBE CONN ----- TOP
- F) .25 NPT -- CYL BORE LUBE CONN ----- BOTTOM
- G) .75 NPT -- YOKE VENT CONN. ----- TOP
- W) .25 NPT -- SCRAPER PURGE CONN ----- TOP
- X) .25 NPT -- PACKING PURGE CONN ----- TOP
- AC) 8-1.125 BOLTS ON 9.25 DIA BOLT CIRCLE.
- AE) .50 NPT -- FRAME END INDICATOR CONN -----SIDE
- AD) .50 NPT -- CYLINDER END INDICATOR CONN -----SIDE



TOTAL WEIGHT: APPROX. 2900 LBS

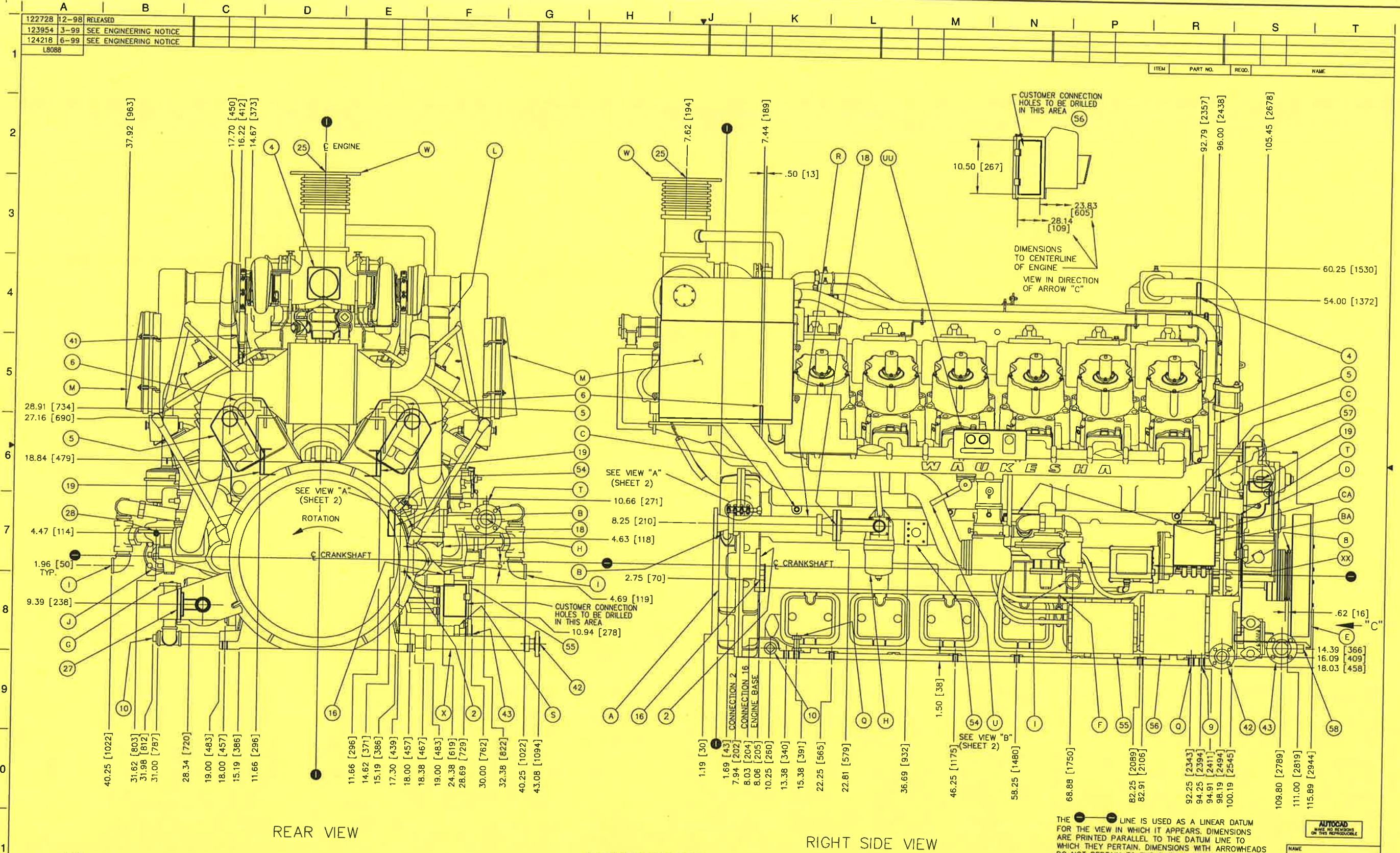
29C	124C	149C	
KW LOCEY	1/25/00	6.00	6.00 HOS
GW TAS	1/25/00	OUTLINE - 6" CYLINDER w/18" DP	
GW TAS	1/25/00	HJH00601 01	

1"=1' 1 1

HJH00601  
 1

<b>GENERAL NOTES</b> DATE: 2000.05.29 10:33am FILE NAME: J:\jobs99\DWG\99420\Comp\ASY\ASY-99420-152-CYL-03.dwg		<b>GENERAL NOTES</b> 1 ISSUED FOR CONSTRUCTION		S.FARWELL 00/05/28 M.Z SW		<b>APPROVED</b> MECH./STRUCT. BY S.FARWELL DATE 00/05/19 <b>CHECKED</b> DATE M.I.MANIK PROJECT DATE MAY 25/00 DATE		<b>DRAWN</b> BY S.FARWELL DATE 00/05/19		<b>PROPAK</b> 1380 HP STOCK COMPRESSOR PACKAGE CYLINDER REFERENCE DWG. DESSER RAND STAGE #3 - 6"		<b>PROPAK</b> 440 East Lake Road, Postal Bag #2 Airdrie, Alberta Canada T4B 2C3	
REVISION No. 1				BY DATE CKD ENG		SCALE N.T.S.		DWG. No.: B-ASY-99420-152-CYL SHEET 3 OF 3		REV. 1			

THIS DRAWING AND THE PROPERTY OF PROPAK SYSTEMS LTD., AND SHALL NOT BE DISCLOSED TO OTHERS OR REPRODUCED IN ANY MANNER OR USED FOR ANY PURPOSE WHATSOEVER EXCEPT BY WRITTEN CONSENT OF PROPAK.



REAR VIEW

RIGHT SIDE VIEW

THE LINE IS USED AS A LINEAR DATUM FOR THE VIEW IN WHICH IT APPEARS. DIMENSIONS ARE PRINTED PARALLEL TO THE DATUM LINE TO WHICH THEY PERTAIN. DIMENSIONS WITH ARROWHEADS DO NOT PERTAIN TO THE DATUM LINES.



NAME: INSTALLATION DRAWING

PART NO: L8088

SHEET 1 OF 5 SCALE 1:1

DIMENSIONS ARE IN INCHES [MILLIMETERS]

THIS PRINT IS PROVIDED ON A RESTRICTED BASIS. NOT TO BE USED IN ANY WAY DETRIMENTAL TO THE INTEREST OF WAUKESHA ENGINE DIVISION.

THE MANUFACTURER RESERVES THE RIGHT TO CHANGE OR MODIFY THE DESIGN OR EQUIPMENT SPECIFICATIONS AS HEREIN SET FORTH WITHOUT INCURRING ANY OBLIGATION EITHER WITH RESPECT TO ENGINES PREVIOUSLY SOLD OR IN THE PROCESS OF CONSTRUCTION.

MODELS	REFERENCE DRAWINGS	MATERIAL
7044GSI	L8041-266	HEAT TREATMENT
5794GSI	C.C.	

DR. C.E.	DATE 12-9-98
OR. REO	DATE 12-11-98
APP. REO	DATE 12-11-98



GENERAL NOTES

GENERAL NOTES

DATE: 2000.05.29 10:38am FILE NAME: J:\jobs99\DWG\99420\Comp\ASY\ASY-99420-152-ENG-01.dwg

1	ISSUED FOR CONSTRUCTION	S. FARWELL	00/05/99	BY	DATE	CKD	ENG
No.	REVISION						

APPROVED		DRAWN	
MECH./STRUCT.	BY	S. FARWELL	
DATE	DATE	00/05/19	
ELECTRICAL	CHECKED		
DATE	BY	M. WANIUK	
PROJECT	DATE	05/29/00	
DATE	SCALE	N.T.S.	

PROPAC  
1380 HP STOCK COMPRESSOR PACKAGE  
ENGINE REFERENCE DWG.  
WAUKESHA 5794 GSI

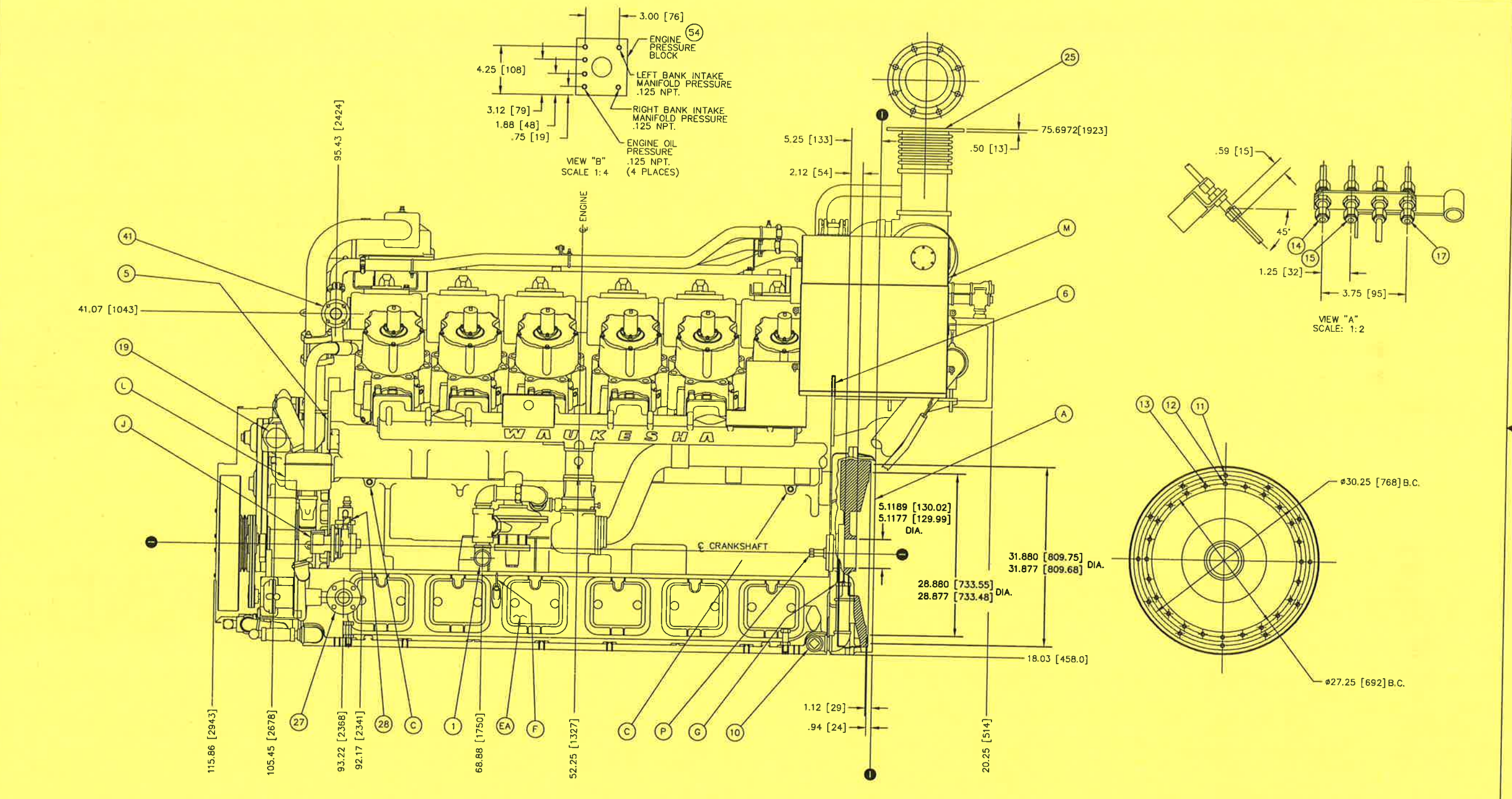
DWG. No.: B-ASY-99420-152-ENG SHEET 1 OF 11 REV.

**PROPAC**  
440 East Lake Road,  
Postal Bag #2  
Airdrie, Alberta  
Canada T4B 2C3

THIS DRAWING AND THE PROPERTY OF PROPAK SYSTEMS LTD. AND SHALL NOT BE DISCLOSED TO OTHERS OR REPRODUCED IN ANY MANNER OR USED FOR ANY PURPOSE WHATSOEVER EXCEPT BY WRITTEN CONSENT OF PROPAK.

123954	3-99	SEE ENGINEERING NOTICE																		
124218	6-99	SEE ENGINEERING NOTICE																		

1																				
---	--	--	--	--	--	--	--	--	--	--	--	--	--	--	--	--	--	--	--	--



DIMENSIONS ARE IN INCHES [MILLIMETERS]

THIS PRINT IS PROVIDED ON A RESTRICTED BASIS. NOT TO BE USED IN ANY WAY DETRIMENTAL TO THE INTEREST OF WUKESHA ENGINE DIVISION.

THE MANUFACTURER RESERVES THE RIGHT TO CHANGE OR MODIFY THE DESIGN OR EQUIPMENT SPECIFICATIONS AS HEREIN SET FORTH WITHOUT INCURRING ANY OBLIGATION EITHER WITH RESPECT TO ENGINES PREVIOUSLY SOLD OR IN THE PROCESS OF CONSTRUCTION.

MODELS	REFERENCE DRAWINGS	MATERIAL
7044GSI	L8041-266	HEAT TREATMENT
5794GSI		

THE LINE IS USED AS A LINEAR DATUM FOR THE VIEW IN WHICH IT APPEARS. DIMENSIONS ARE PRINTED PARALLEL TO THE DATUM LINE TO WHICH THEY PERTAIN. DIMENSIONS WITH ARROWHEADS DO NOT PERTAIN TO THE DATUM LINES.

AUTOCAD  
MAKE NO CHANGES  
ON THIS REPRODUCTION

DR.C.E.	DATE 12-9-98	
OR.REO	DATE 12-11-98	
APP.REO	DATE 12-11-98	

NAME	INSTALLATION DRAWING
PART NO.	L8088
SHEET	2 OF 5
SCALE	1:1

DATE: 2000.05.29 10:39am		FILE NAME: J:\jobs99\DWG\99420\Comp\ASY\ASY-99420-152-ENG-02.dwg		1		ISSUED FOR CONSTRUCTION		S.FARWELL 00/05/99		M.I.		J.W.		BY		DATE		CKD		ENG	
GENERAL NOTES		GENERAL NOTES		No.		REVISION															

APPROVED		DRAWN	
MECH./STRUCT.	BY S.FARWELL	DATE	00/05/19
ELECTRICAL	DATE	CHECKED	
PROJECT	DATE	DATE	
SCALE	N.T.S.	SCALE	N.T.S.

PROPAC  
1380 HP STOCK COMPRESSOR PACKAGE  
ENGINE REFERENCE DWG.  
WUKESHA 5794 GSI  
DWG. No.: B-ASY-99420-152-ENG SHEET 2 OF 11 REV.

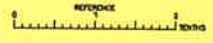
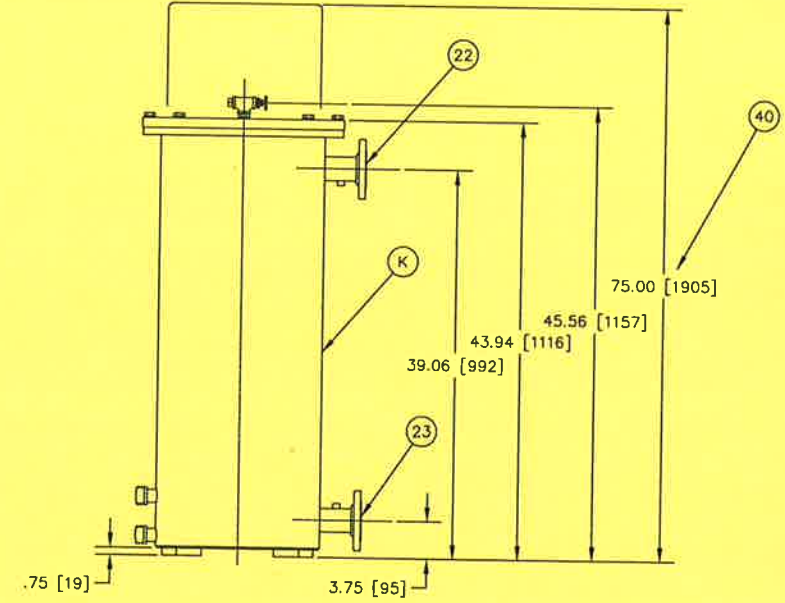
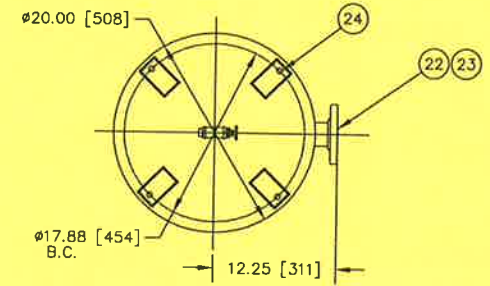
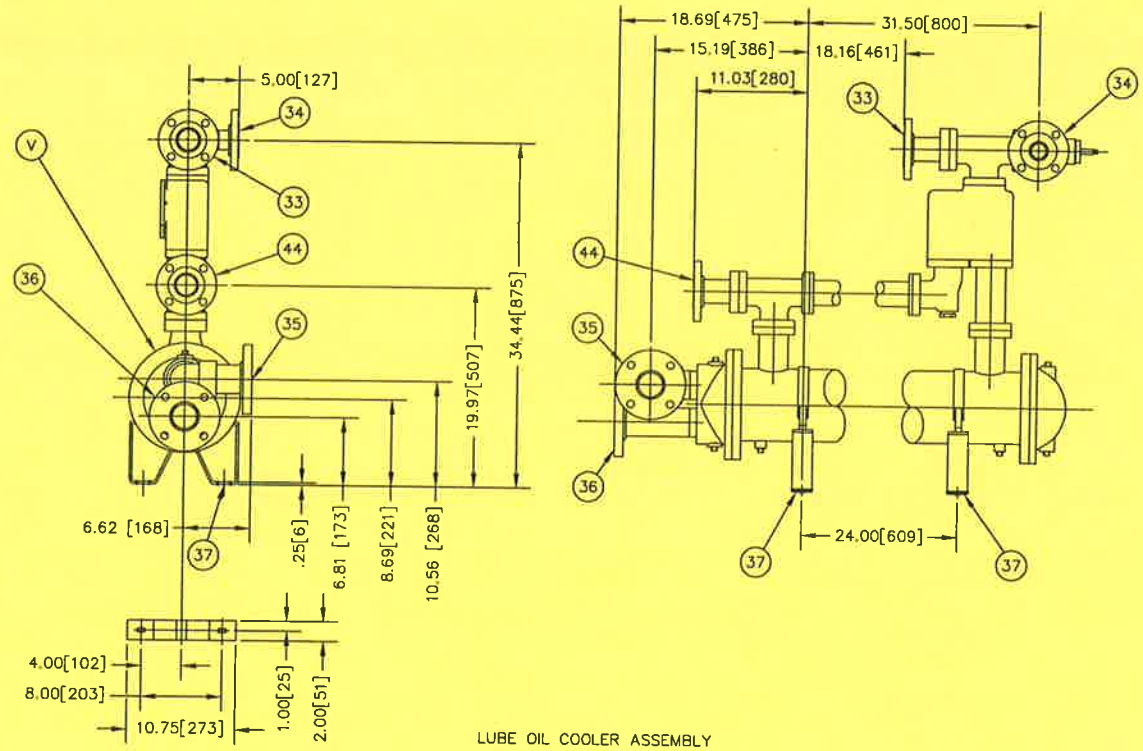
**PROPAC**  
440 East Lake Road,  
Postal Bag #2  
Airdrie, Alberta  
Canada T4B 2C3



THIS DRAWING AND THE PROPERTY OF PROPAK SYSTEMS LTD. AND SHALL NOT BE DISCLOSED TO OTHERS OR REPRODUCED IN ANY MANNER OR USED FOR ANY PURPOSE WHATSOEVER EXCEPT BY WRITTEN CONSENT OF PROPAK.

123954	3-99	SEE ENGINEERING NOTICE
124218	6-99	SEE ENGINEERING NOTICE
L8088		

ITEM	PART NO.	REQD.	NAME
------	----------	-------	------



DIMENSIONS ARE IN INCHES (MILLIMETERS)

THIS PRINT IS PROVIDED ON A RESTRICTED BASIS. NOT TO BE USED IN ANY WAY DETRIMENTAL TO THE INTEREST OF WAUKESHA ENGINE DIVISION.

THE MANUFACTURER RESERVES THE RIGHT TO CHANGE OR MODIFY THE DESIGN OR EQUIPMENT SPECIFICATIONS AS HEREIN SET FORTH WITHOUT INCURRING ANY OBLIGATION EITHER WITH RESPECT TO ENGINES PREVIOUSLY SOLD OR IN THE PROCESS OF CONSTRUCTION.

MODELS	REFERENCE DRAWINGS	MATERIAL
7044GSI	L8041-266	
5794GSI		HEAT TREATMENT

DR. C.E.	DATE 12-9-98
CHK. REO	DATE 12-11-98
APP. REO	DATE 12-11-98



NAME	INSTALLATION DRAWING
PART NO.	L8088
SHEET	3 OF 5
SCALE	1:1

CAD MAKE NO REVISIONS ON THIS REPRODUCTION

DATE: 2000.05.29 10:40am		FILE NAME: J:\jobs99\DWG\99420\Comp\ASY\ASY-99420-152-ENG-03.dwg	
GENERAL NOTES		GENERAL NOTES	
1 ISSUED FOR CONSTRUCTION		S.FARWELL 00/05/99 M.T. SW	
No.		REVISION	
BY	DATE	CKD	ENG

APPROVED		DRAWN	
MECH./STRUCT.	BY S.FARWELL	DATE	00/05/19
ELECTRICAL	DATE	CHECKED	
PROJECT	DATE	BY	M. J. MANIWA
DATE	05/20/00	DATE	05/20/00
SCALE	N.T.S.		

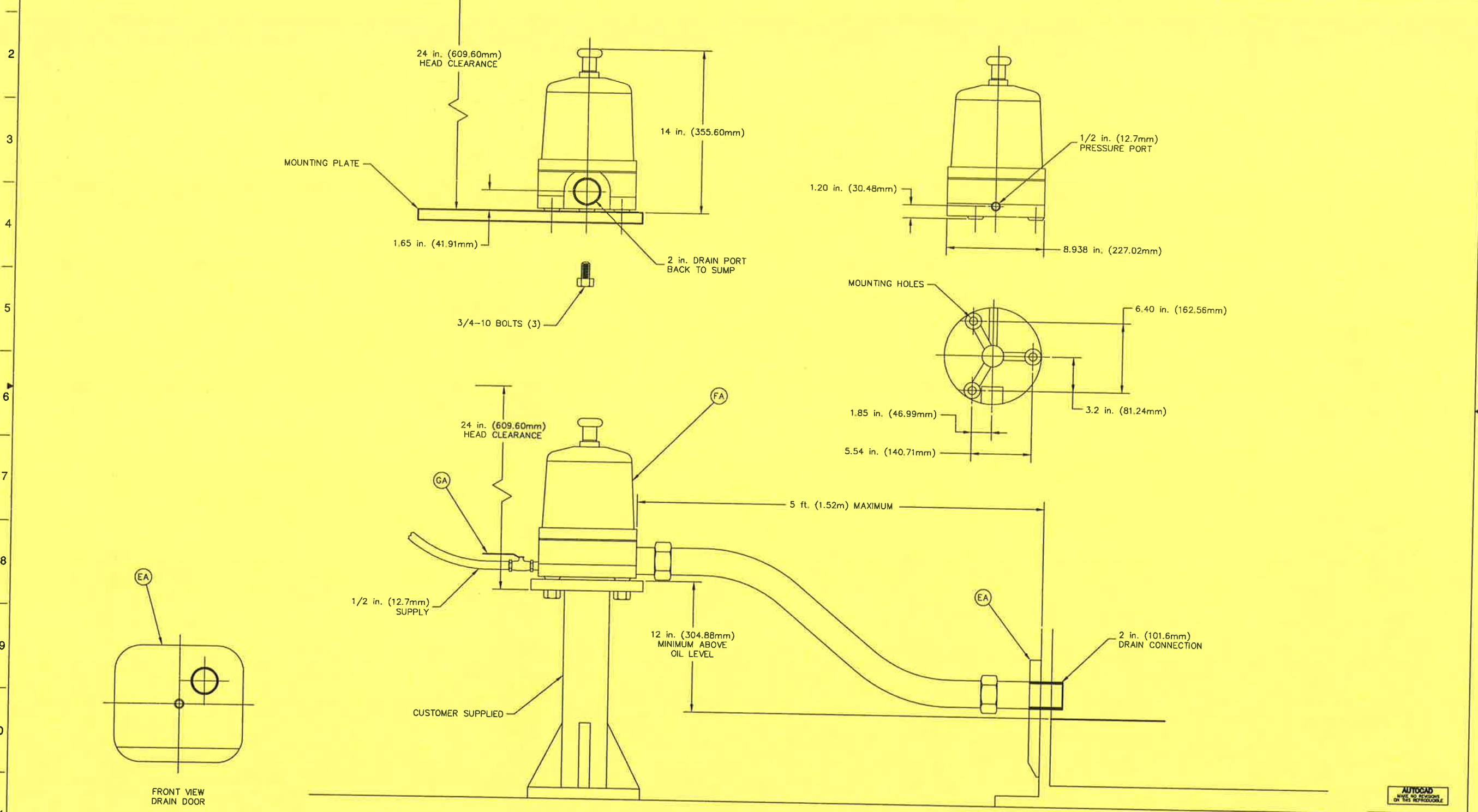
PROPAC	
1380 HP STOCK COMPRESSOR PACKAGE	
ENGINE REFERENCE DWG.	
WAUKESHA 5794 GSI	
DWG. No.:	B-ASY-99420-152-ENG SHEET 3 OF 11 REV.

**PROPAC**  
440 East Lake Road,  
Postal Bag #2  
Airdrie, Alberta  
Canada T4B 2C3

THE DESIGN IT COVERS ARE CONFIDENTIAL AND THE PROPERTY OF PROPAC SYSTEMS LTD., AND SHALL NOT BE DISCLOSED TO OTHERS OR REPRODUCED IN ANY MANNER OR USED FOR ANY PURPOSE WHATSOEVER EXCEPT BY WRITTEN CONSENT OF PROPAC.

123954	3-99	SEE ENGINEERING NOTICE
124218	6-99	SEE ENGINEERING NOTICE

ITEM	PART NO.	REQD.	NAME
------	----------	-------	------



DIMENSIONS ARE IN INCHES (MILLIMETERS)  
 THIS PRINT IS PROVIDED ON A RESTRICTED BASIS NOT TO BE USED IN ANY WAY DETRIMENTAL TO THE INTEREST OF WAUKESHA ENGINE DIVISION.  
 THE MANUFACTURER RESERVES THE RIGHT TO CHANGE OR MODIFY THE DESIGN OR EQUIPMENT SPECIFICATIONS AS HEREIN SET FORTH WITHOUT INCURRING ANY OBLIGATION EITHER WITH RESPECT TO ENGINES PREVIOUSLY SOLD OR IN THE PROCESS OF CONSTRUCTION.

MODELS	REFERENCE DRAWINGS	MATERIAL	DR. B.L.A. DATE 3-17-99
7044GSI	LB041-266	HEAT TREATMENT	CK. REO DATE 3-17-99
5794GSI			APP. REO DATE 3-17-99

AUTOCAD  
 NAME: INSTALLATION DRAWING  
 PART NO.: L8088  
 SHEET 4 OF 5 | SCALE 1:4  
 Waukesha  
 WAUKESHA WI

<b>GENERAL NOTES</b> DATE: 2000.05.29 10:40am FILE NAME: J:\Jobs99\DWG\99420\Comp\ASY\ASY-99420-152-ENG-04.dwg		<b>GENERAL NOTES</b> 1 ISSUED FOR CONSTRUCTION		REVISION BY: S.FARWELL DATE: 00/05/99 CKD: M.E. ENG: SW		APPROVED MECH./STRUCT. BY: S.FARWELL DATE: 00/05/19 ELECTRICAL CHECKED: M. JAWANILAR PROJECT DATE: M. JAWANILAR DATE: M. JAWANILAR		DRAWN BY: S.FARWELL DATE: 00/05/19 CHECKED: M. JAWANILAR DATE: M. JAWANILAR		PROPAC 1380 HP STOCK COMPRESSOR PACKAGE ENGINE REFERENCE DWG. WAUKESHA 5794 GSI		DWG. No.: B-ASY-99420-152-ENG SHEET 4 OF 11 REV.	
-------------------------------------------------------------------------------------------------------------------	--	---------------------------------------------------	--	------------------------------------------------------------	--	------------------------------------------------------------------------------------------------------------------------------------------------	--	--------------------------------------------------------------------------------------	--	------------------------------------------------------------------------------------------	--	--------------------------------------------------	--

**PROPAK**  
 440 East Lake Road,  
 Postal Bag #2  
 Airdrie, Alberta  
 Canada T4B 2C3

THIS DRAWING AND THE PROPERTY OF PROPAK SYSTEMS LTD. AND SHALL NOT BE DISCLOSED TO OTHERS OR REPRODUCED IN ANY MANNER OR USED FOR ANY PURPOSE WHATSOEVER EXCEPT BY WRITTEN CONSENT OF PROPAK

123954	3-99	SEE ENGINEERING NOTICE																		
124218	6-99	SEE ENGINEERING NOTICE																		

## ENGINE CONNECTION INDEX

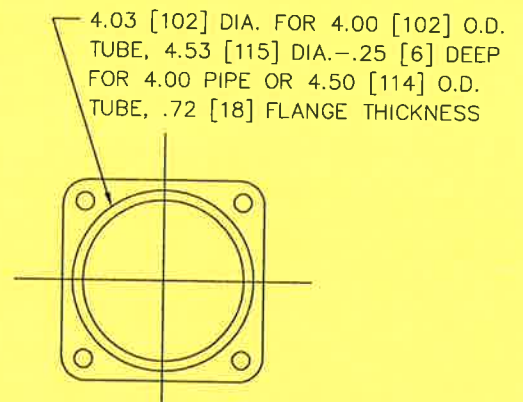
## EQUIPMENT INDEX

- |                                                                                                                                                                                                                                                                                                                                                                                                                                                                                                                                                                                                                                                                                                                                                                                                                                                                                                                                                                                                                                                                                                                                                                                                                                                                                                                                                                                                                                                                                                                                                                                                                                                                                                                                                                                                                                                                                                                                                                                                                                                                                                                                                                                                  |                                                                                                                                                                                                                                                                                                                                                                                                                                                                                                                                                                                                                                                                                                                                                                                                                                                                                                                                                                                                                                                                                                                                                                                                                                                                                                                                                                                                                                                                                                                                                                                                     |
|--------------------------------------------------------------------------------------------------------------------------------------------------------------------------------------------------------------------------------------------------------------------------------------------------------------------------------------------------------------------------------------------------------------------------------------------------------------------------------------------------------------------------------------------------------------------------------------------------------------------------------------------------------------------------------------------------------------------------------------------------------------------------------------------------------------------------------------------------------------------------------------------------------------------------------------------------------------------------------------------------------------------------------------------------------------------------------------------------------------------------------------------------------------------------------------------------------------------------------------------------------------------------------------------------------------------------------------------------------------------------------------------------------------------------------------------------------------------------------------------------------------------------------------------------------------------------------------------------------------------------------------------------------------------------------------------------------------------------------------------------------------------------------------------------------------------------------------------------------------------------------------------------------------------------------------------------------------------------------------------------------------------------------------------------------------------------------------------------------------------------------------------------------------------------------------------------|-----------------------------------------------------------------------------------------------------------------------------------------------------------------------------------------------------------------------------------------------------------------------------------------------------------------------------------------------------------------------------------------------------------------------------------------------------------------------------------------------------------------------------------------------------------------------------------------------------------------------------------------------------------------------------------------------------------------------------------------------------------------------------------------------------------------------------------------------------------------------------------------------------------------------------------------------------------------------------------------------------------------------------------------------------------------------------------------------------------------------------------------------------------------------------------------------------------------------------------------------------------------------------------------------------------------------------------------------------------------------------------------------------------------------------------------------------------------------------------------------------------------------------------------------------------------------------------------------------|
| <ol style="list-style-type: none"> <li>1. NATURAL GAS INLET 2.00-11.5 N.P.T.<br/>NOTE: FLEXIBLE CONNECTION REQUIRED AT THE FUEL INLET LOCATION(S) TO ISOLATE ENGINE VIBRATION FROM FUEL PIPING. LOCATE AS CLOSE TO ENGINE AS POSSIBLE.</li> <li>2. STARTING MOTOR PAD .625-11 UNC-2B TAP THRU 3 HOLES FOR STARTING MOTOR WITH S.A.E. NUMBER 3 MOUNTING FLANGE.</li> <li>4. JACKET WATER OUTLET FLANGE. (SEE VIEW OF FLANGE)</li> <li>5. FRONT LIFTING EYES 3.00 [76] DIA. HOLE.</li> <li>6. REAR LIFTING EYES 3.00 [76] DIA. HOLE.</li> <li>8. CRANKSHAFT PULLEY - (2) 9.88 [251] NOMINAL DIAMETER X .500 [13] WIDE S.A.E. AUTOMOTIVE GROOVES.</li> <li>9. .88 [22] DIAMETER - 12 ENGINE MOUNTING HOLES.</li> <li>10. LUBE OIL DRAIN 2.00-11.5 N.P.T.</li> <li>11. .75-10 UNC-2B TAP 1.25 [32] DEEP, 12 HOLES EQUALLY SPACED.</li> <li>12. .75-10 UNC-2B TAP 1.25 [32] DEEP, 12 HOLES EQUALLY SPACED.</li> <li>13. .625-11 UNC-2B TAP 1.00 [25] DEEP, 12 HOLES EQUALLY SPACED.</li> <li>14. .250 [6] NOMINAL DIAMETER TUBE, AIR/GAS VENT CONNECTION. (SEE VIEW "A") (SEE NOTE 1)</li> <li>15. .250 [6] NOMINAL DIAMETER TUBE, AIR/GAS SUPPLY CONNECTION. (SEE VIEW "A")</li> <li>16. .375-18 N.P.T. AIR/GAS PRELUBE SUPPLY CONNECTION.</li> <li>17. .250 [6] NOMINAL DIAMETER TUBE, AIR/GAS START CONNECTION. (SEE VIEW "A")</li> <li>18. LUBE OIL STRAINER INLET FROM LUBE OIL FILTER, 2.00 RAISED FACE 150 LB. A.N.S.I. WELD NECK FLANGE.</li> <li>19. JACKET WATER INLET FLANGE, 2 PLACES. (SEE VIEW OF FLANGE)</li> <li>22. LUBE OIL FILTER INLET FROM ENGINE OIL COOLER ASSEMBLY, 2.00 RAISED FACE 150 LB. A.N.S.I. FLANGE.</li> <li>23. LUBE OIL FILTER OUTLET TO ENGINE LUBE OIL STAINER, 2.00 RAISED FACE 150 LB. A.N.S.I. FLANGE.</li> <li>24. .56 [14] DIAMETER - 4 PLACES EQUALLY SPACED IN MOUNTING FEET FOR LUBE OIL FILTER MOUNTING.</li> <li>25. EXHAUST OUTLET FLANGE - FITS 8.00 FLAT FACE 125 LB. A.N.S.I. CAST IRON PIPE FLANGE. NOTE: EXHAUST SYSTEM MUST SUPPORT ITS OWN WEIGHT BEYOND THIS POINT.</li> <li>27. AUXILIARY WATER INLET FROM COOLING SYSTEM, 2.50 125 LB. A.N.S.I. FLANGE.</li> <li>28. 375-18 N.P.T. AIR/GAS PRE-LUBE MOTOR EXHAUST. (SEE NOTE 1)</li> </ol> | <ol style="list-style-type: none"> <li>33. LUBE OIL COOLER ASSEMBLY OUTLET TO LUBE OIL FILTER. 2.00 RAISED FACE 150 LB. A.N.S.I. FLANGE.</li> <li>34. PRESSURE REGULATING VALVE OUTLET ON LUBE OIL COOLER ASSEMBLY TO ENGINE OIL PAN. 1.50 RAISED FACE 150 LB. A.N.S.I. FLANGE.</li> <li>35. AUXILIARY WATER INLET AT LUBE OIL COOLER ASSEMBLY, 2.50 FLAT FACE 125 LB. A.N.S.I. FLANGE.</li> <li>36. AUXILIARY WATER OUTLET AT LUBE OIL COOLER ASSEMBLY TO THERMOSTATIC VALVE AND COOLING SYSTEM, 2.50 FLAT FACE 125 LB. A.N.S.I. FLANGE.</li> <li>37. .69 X 1.25 [18 X 32] SLOT - 4 PLACES FOR LUBE OIL COOLER ASSEMBLY MOUNTING.</li> <li>40. CLEARANCE REQUIRED TO REMOVE LUBE OIL FILTER ELEMENT.</li> <li>41. AUXILIARY WATER OUTLET TO LUBE OIL COOLER ASSEMBLY. 1.50 FLAT 150 LB. A.N.S.I. FLANGE.</li> <li>42. LUBE OIL INLET FROM PRESSURE REGULATING VALVE ON LUBE OIL COOLER ASSEMBLY, 1.50 LAP JOINT 150 LB. A.N.S.I. FLANGE WITH STUB END.</li> <li>43. LUBE OIL OUTLET TO LUBE OIL COOLER ASSEMBLY, 2.00 LAP JOINT 150 LB A.N.S.I. FLANGE WITH STUB END.</li> <li>44. LUBE OIL COOLER ASSEMBLY INLET FROM ENGINE LUBE OIL PUMP. 2.00 RAISED FACE 150 LB. A.N.S.I. FLANGE.</li> <li>54. ENGINE PRESSURE BLOCK, OIL AND INTAKE MANIFOLD PRESSURE .125-27 N.P.T. 6 PLACES (4 OIL, 2 AIR.) (SEE VIEW "B")</li> <li>55. ENGINE IGNITION POWER JUNCTION BOX 24 VOLT DC.</li> <li>56. ENGINE TEMPERATURE CONNECTION POINTS. THERMOCOUPLE TYPE K, AND CUSTOM CONTROLS JUNCTION BOX.</li> <li>57. FRONT FACE OF CRANKCASE.</li> <li>58. MICROSPIN INLET CONNECTION POINT, 1/2" NPT.</li> </ol> |
|--------------------------------------------------------------------------------------------------------------------------------------------------------------------------------------------------------------------------------------------------------------------------------------------------------------------------------------------------------------------------------------------------------------------------------------------------------------------------------------------------------------------------------------------------------------------------------------------------------------------------------------------------------------------------------------------------------------------------------------------------------------------------------------------------------------------------------------------------------------------------------------------------------------------------------------------------------------------------------------------------------------------------------------------------------------------------------------------------------------------------------------------------------------------------------------------------------------------------------------------------------------------------------------------------------------------------------------------------------------------------------------------------------------------------------------------------------------------------------------------------------------------------------------------------------------------------------------------------------------------------------------------------------------------------------------------------------------------------------------------------------------------------------------------------------------------------------------------------------------------------------------------------------------------------------------------------------------------------------------------------------------------------------------------------------------------------------------------------------------------------------------------------------------------------------------------------|-----------------------------------------------------------------------------------------------------------------------------------------------------------------------------------------------------------------------------------------------------------------------------------------------------------------------------------------------------------------------------------------------------------------------------------------------------------------------------------------------------------------------------------------------------------------------------------------------------------------------------------------------------------------------------------------------------------------------------------------------------------------------------------------------------------------------------------------------------------------------------------------------------------------------------------------------------------------------------------------------------------------------------------------------------------------------------------------------------------------------------------------------------------------------------------------------------------------------------------------------------------------------------------------------------------------------------------------------------------------------------------------------------------------------------------------------------------------------------------------------------------------------------------------------------------------------------------------------------|

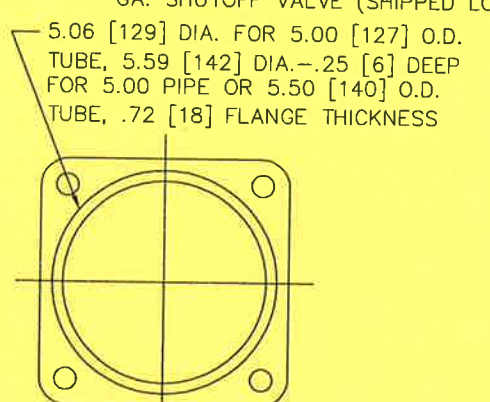
- A. S.A.E NUMBER 00 FLYWHEEL HOUSING
- B. TIMING HOLE PAD
- C. ENGINE WATER DRAIN
- D. GOVERNOR, HYDRAULIC
- E. SAFETY GUARD
- F. LUBE OIL DIPSTICK (BOTH SIDES)
- G. LUBE OIL FILLER
- H. LUBE OIL STRAINER
- J. AIR/GAS MOTORIZED PRE-LUBE PUMP
- K. LUBE OIL FILTER ASSEMBLY (SHIPPED LOOSE)
- L. CRANKCASE BREATHER (2)
- M. AIR CLEANERS (2)
- P. MANUAL BARRING DEVICE
- Q. ENGINE LEVELING BOLTS (4) 1.00-8 UNC-2B THREAD
- R. 24.00 [610] LONG FLEXIBLE METAL HOSE (SHIPPED LOOSE)
- S. 24.00 [610] LONG FLEXIBLE METAL HOSE (SHIPPED LOOSE)
- T. GOVERNOR SPEED CONTROL HAND LEVER
- U. THROTTLE LEVER
- V. LUBE OIL COOLER ASSEMBLY (SHIPPED LOOSE)
- W. FLEXIBLE EXHAUST CONNECTION (SHIPPED LOOSE)
- X. 24.00 [610] LONG FLEXIBLE METAL HOSE (SHIPPED LOOSE)
- UU. PNEUMATIC CONTROL PANEL CONSISTING OF START, STOP, PRELUBE, AND SAFETY RESET.
- XX. CEC IGNITION MODULE
- BA. DETONATION SENSING MODULE (DSM)
- CA. DSM FILTER
- DA.
- EA. MICROSPIN DRAIN DOOR (SHIPPED LOOSE).
- FA. MICROSPIN OIL FILTER (SHIPPED LOOSE). (Ref. Latest Revision of Microspin Installation Guidelines)
- GA. SHUTOFF VALVE (SHIPPED LOOSE).

NOTE 1: ALL GAS VENTED AND/OR DISCHARGED FROM ENGINE EQUIPMENT SHOULD BE PIPED TO A SAFE AREA TO MEET APPLICABLE CODES.

NOTE 2: ROTATIONS ARE VIEWED FROM FLYWHEEL END.



VIEW OF JACKET WATER INLET FLANGE  
SCALE : 1:2



VIEW OF JACKET WATER OUTLET FLANGE  
SCALE : 1:2



DIMENSIONS ARE IN INCHES [MILLIMETERS]

THIS PRINT IS PROVIDED ON A RESTRICTED BASIS. NOT TO BE USED IN ANY WAY DETRIMENTAL TO THE INTEREST OF WAUKESHA ENGINE DIVISION.

THE MANUFACTURER RESERVES THE RIGHT TO CHANGE OR MODIFY THE DESIGN OR EQUIPMENT SPECIFICATIONS AS HEREIN SET FORTH WITHOUT INCURRING ANY OBLIGATION EITHER WITH RESPECT TO ENGINES PREVIOUSLY SOLD OR IN THE PROCESS OF CONSTRUCTION.

MODELS	REFERENCE DRAWINGS	MATERIAL	DR.C.E.	DATE	12-9-98
7044GSI	L8041-266		DR.REO	DATE	12-11-98
5794GSI		HEAT TREATMENT	APP.REO	DATE	12-11-98
			FILE		



AUTOCAD  
MAKE NO REVISIONS  
ON THIS REPRODUCTION

NAME  
**INSTALLATION  
DRAWING**

PART NO.  
**L8088**

SHEET 5 OF 5 SCALE 1:8

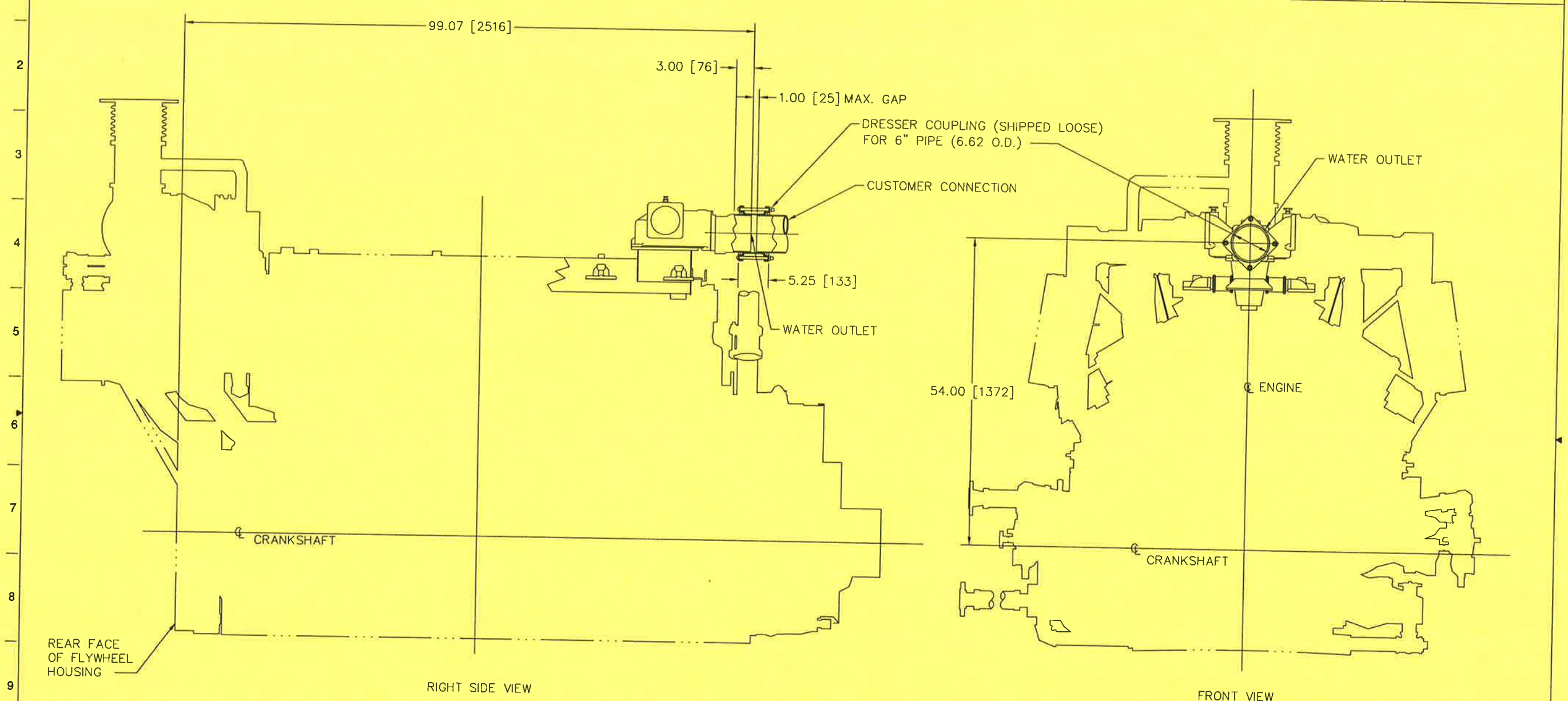
DATE: 2000.05.29 10:41am FILE NAME: J:\jobs99\DWG\99420\Comp\ASY\ASY-99420-152-ENG-05.dwg		No. 1		ISSUED FOR CONSTRUCTION		S.FARWELL 00/05/29		BY DATE CKD ENG		APPROVED		DRAWN		<b>PROPAK</b> 1380 HP STOCK COMPRESSOR PACKAGE ENGINE REFERENCE DWG. WAUKESHA 5794 GSI		DWG. No.: B-ASY-99420-152-ENG SHEET 5 OF 11 REV.	
										MECH./STRUCT. BY S.FARWELL		DATE 00/05/19					
										ELECTRICAL		CHECKED					
										PROJECT DATE		DATE					

PROPAK

440 East Lake Road,  
Postal Bag #2  
Airdrie, Alberta  
Canada T4B 2C3

THE DESIGN IT COVEDES ARE CONFIDENTIAL AND THE PROPERTY OF PROPAK SYSTEMS LTD. AND SHALL NOT BE DISCLOSED TO OTHERS OR REPRODUCED IN ANY MANNER OR USED FOR ANY PURPOSE WHATSOEVER EXCEPT BY WRITTEN CONSENT OF PROPAK.

109835	2-88	RELEASED, SUPERSEDES	112581	10-90	SEE ENGINEERING NOTICE
109835	2-88	L8041-51 BOTTOM HALF	119239	9-95	SEE ENGINEERING NOTICE
112261	3-90	SEE ENGINEERING NOTICE	121622	4-97	SEE ENGINEERING NOTICE
L8041-143					



**ACCESSORY CODE 4342**  
**WATER OUTLET CONNECTION**

REPLACES ENGINE CONNECTION 4 ON STANDARD PRICE  
 CODE INSTALLATION DRAWING.

ENGINE OUTLINE IS FOR REFERENCE ONLY --  
 DOES NOT REFLECT ANY SPECIFIC ENGINE ORDER.



DIMENSIONS ARE IN INCHES (MILLIMETERS).

THIS PRINT IS PROVIDED ON A RESTRICTED BASIS NOT TO BE USED IN ANY WAY DETRIMENTAL TO THE INTEREST OF WAUKESHA ENGINE DIVISION.

THE MANUFACTURER RESERVES THE RIGHT TO CHANGE OR MODIFY THE DESIGN OR EQUIPMENT SPECIFICATIONS AS HEREIN SET FORTH WITHOUT INCURRING ANY OBLIGATION EITHER WITH RESPECT TO ENGINES PREVIOUSLY SOLD OR IN THE PROCESS OF CONSTRUCTION.

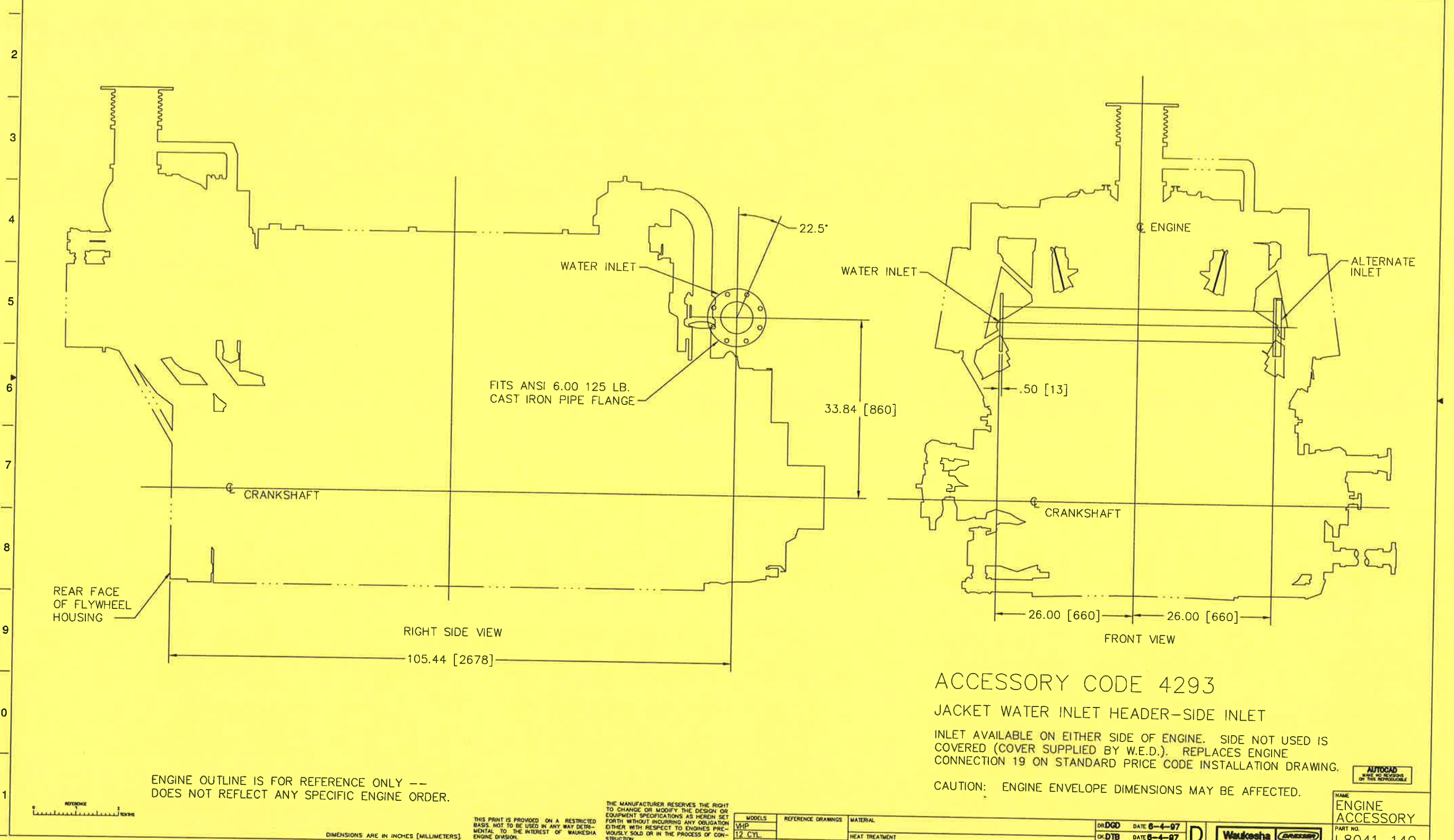
MODELS	REFERENCE DRAWINGS	MATERIAL	DR.DGD	DATE 6-4-97		NAME <b>ENGINE ACCESSORY</b> PART NO. <b>L8041-143</b> SHEET 1 OF 1 SCALE 1:1
VHP			OK.DTB	DATE 6-4-97		
12 CYL.	G & D		APP.RLK	DATE 6-13-97		

<b>GENERAL NOTES</b> DATE: 2000.05.29 10:45am FILE NAME: J:\jobs99\DWG\99420\Comp\ASY\ASY-99420-152-ENG-06.dwg		<b>GENERAL NOTES</b> 1 ISSUED FOR CONSTRUCTION		BY S.FARWELL DATE 00/05/99 CKD JI ENG SW		APPROVED MECH./STRUCT. BY S.FARWELL DATE 00/05/19 ELECTRICAL CHECKED DATE BY m.l.m... DATE MAY 29/00 PROJECT DATE 05/29/00 DATE SCALE N.T.S.		DRAWN BY S.FARWELL DATE 00/05/19 CHECKED DATE BY m.l.m... DATE MAY 29/00 SCALE N.T.S.		PROPAG 1380 HP STOCK COMPRESSOR PACKAGE ENGINE REFERENCE DWG. WAUKESHA ACCESSORY CODE 4342 DWG. No.: B-ASY-99420-152-ENG SHEET 6 OF 11 REV.		<b>PROPAK</b> 440 East Lake Road, Postal Bag #2 Airdrie, Alberta Canada T4B 2C3	
-------------------------------------------------------------------------------------------------------------------	--	---------------------------------------------------	--	------------------------------------------	--	-------------------------------------------------------------------------------------------------------------------------------------------------------------	--	---------------------------------------------------------------------------------------------------	--	---------------------------------------------------------------------------------------------------------------------------------------------------------	--	---------------------------------------------------------------------------------------------	--

THIS DRAWING AND THE PROPERTY OF PROPAK SYSTEMS LTD., AND SHALL NOT BE DISCLOSED TO OTHERS OR REPRODUCED IN ANY MANNER OR USED FOR ANY PURPOSE WHATSOEVER EXCEPT BY WRITTEN CONSENT OF PROPAK.

109835	2-88	RELEASED, SUPERSEDES	111273	7-88	SEE ENGINEERING NOTICE
109835	2-88	L8041-40 (TOP HALF)	112581	10-90	SEE ENGINEERING NOTICE
109943	4-88	SEE ENGINEERING NOTICE	121622	4-97	SEE ENGINEERING NOTICE

ITEM	PART NO.	REQD.	NAME
------	----------	-------	------



ENGINE OUTLINE IS FOR REFERENCE ONLY -- DOES NOT REFLECT ANY SPECIFIC ENGINE ORDER.

**ACCESSORY CODE 4293**  
**JACKET WATER INLET HEADER-SIDE INLET**

INLET AVAILABLE ON EITHER SIDE OF ENGINE. SIDE NOT USED IS COVERED (COVER SUPPLIED BY W.E.D.). REPLACES ENGINE CONNECTION 19 ON STANDARD PRICE CODE INSTALLATION DRAWING.

CAUTION: ENGINE ENVELOPE DIMENSIONS MAY BE AFFECTED.

**AUTOCAD**  
DATE AND REVISIONS OF THIS TECHNOLOGICAL

NAME	ENGINE ACCESSORY
PART NO.	L8041-140
SHEET 1 OF 1	SCALE 1:8

THE MANUFACTURER RESERVES THE RIGHT TO CHANGE OR MODIFY THE DESIGN OR EQUIPMENT SPECIFICATIONS AS HEREIN SET FORTH WITHOUT INQUIRING ANY OBLIGATION EITHER WITH RESPECT TO ENGINES PREVIOUSLY SOLD OR IN THE PROCESS OF CONSTRUCTION.

THIS PRINT IS PROVIDED ON A RESTRICTED BASIS. NOT TO BE USED IN ANY WAY DETRIMENTAL TO THE INTEREST OF WAUKESHA ENGINE DIVISION.

DIMENSIONS ARE IN INCHES [MILLIMETERS]

MODELS	REFERENCE DRAWINGS	MATERIAL
VHP		
12 CYL.		HEAT TREATMENT
C.C.		

DR: DGD	DATE: 8-4-97
CK: DTB	DATE: 8-4-97
APP: RLK	DATE: 8-13-97

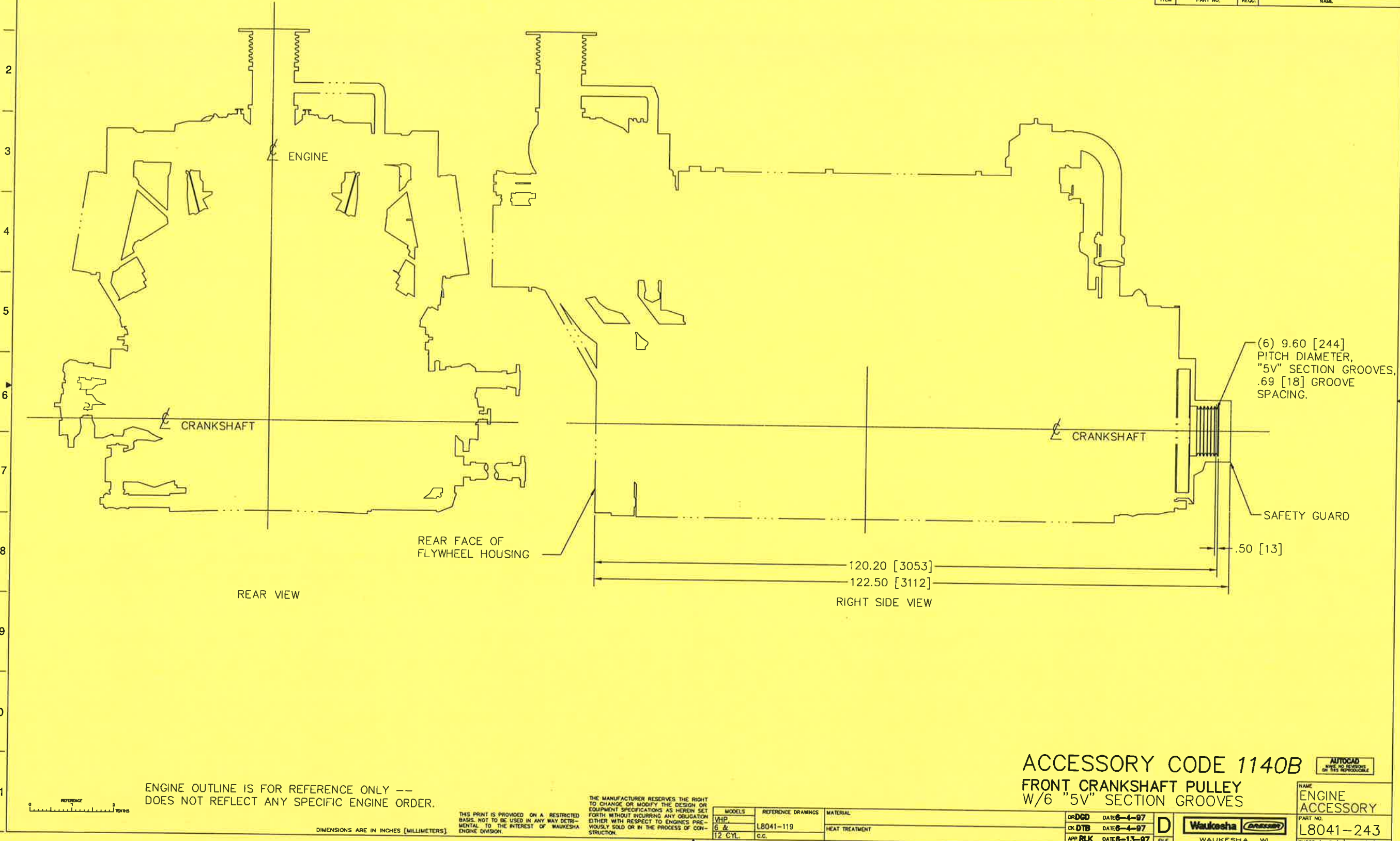


<p>DATE: 2000.05.29 10:46am FILE NAME: J:\jobs99\DWG\99420\Comp\ASY\ASY-99420-152-ENG-07.dwg</p>		<p>1 ISSUED FOR CONSTRUCTION</p>		<p>S.FARWELL 00/05/99 M J h/w</p>		<p>APPROVED</p>		<p>DRAWN</p>		<p>PROPAK</p>	
<p>GENERAL NOTES</p>		<p>GENERAL NOTES</p>		<p>REVISION</p>		<p>MECH./STRUCT. DATE</p>		<p>BY DATE</p>		<p>1380 HP STOCK COMPRESSOR PACKAGE ENGINE REFERENCE DWG. WAUKESHA ACCESSORY CODE 4293</p>	
<p>DATE: 2000.05.29 10:46am FILE NAME: J:\jobs99\DWG\99420\Comp\ASY\ASY-99420-152-ENG-07.dwg</p>		<p>No.</p>		<p>BY DATE CKD ENG</p>		<p>PROJECT DATE</p>		<p>BY DATE</p>		<p>DWG. No.: B-ASY-99420-152-ENG SHEET 7 OF 11 REV. 1</p>	

**PROPAK**  
 440 East Lake Road,  
 Postal Bag #2  
 Airdrie, Alberta  
 Canada T4B 2C3

THIS DRAWING AND THE PROPERTY OF PROPAK SYSTEMS LTD., AND SHALL NOT BE DISCLOSED TO OTHERS OR REPRODUCED IN ANY MANNER OR USED FOR ANY PURPOSE WHATSOEVER EXCEPT BY WRITTEN CONSENT OF PROPAK.

117022	1-94	RELEASED	122129	8-97	SUPERSEDES L8045-116														
118427	3-95	SEE ENGINEERING NOTICE																	
121622	4-97	SEE ENGINEERING NOTICE																	
L8041-243																			



ENGINE OUTLINE IS FOR REFERENCE ONLY -- DOES NOT REFLECT ANY SPECIFIC ENGINE ORDER.



DIMENSIONS ARE IN INCHES [MILLIMETERS]

THIS PRINT IS PROVIDED ON A RESTRICTED BASIS. NOT TO BE USED IN ANY WAY DETRIMENTAL TO THE INTEREST OF WAUKESHA ENGINE DIVISION.

THE MANUFACTURER RESERVES THE RIGHT TO CHANGE OR MODIFY THE DESIGN OR EQUIPMENT SPECIFICATIONS AS HEREIN SET FORTH WITHOUT INCURRING ANY OBLIGATION EITHER WITH RESPECT TO ENGINES PREVIOUSLY SOLD OR IN THE PROCESS OF CONSTRUCTION.

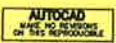
MODELS	REFERENCE DRAWINGS	MATERIAL
VHP	L8041-119	HEAT TREATMENT
6 &	CC	
12 CYL		

DR/DG	DATE 6-4-97
CK DTB	DATE 6-4-97
APP RLK	DATE 6-13-97



NAME	ENGINE ACCESSORY
PART NO.	L8041-243
SHEET 1 OF 1	SCALE 1:8

ACCESSORY CODE 1140B  
FRONT CRANKSHAFT PULLEY  
W/6 "5V" SECTION GROOVES

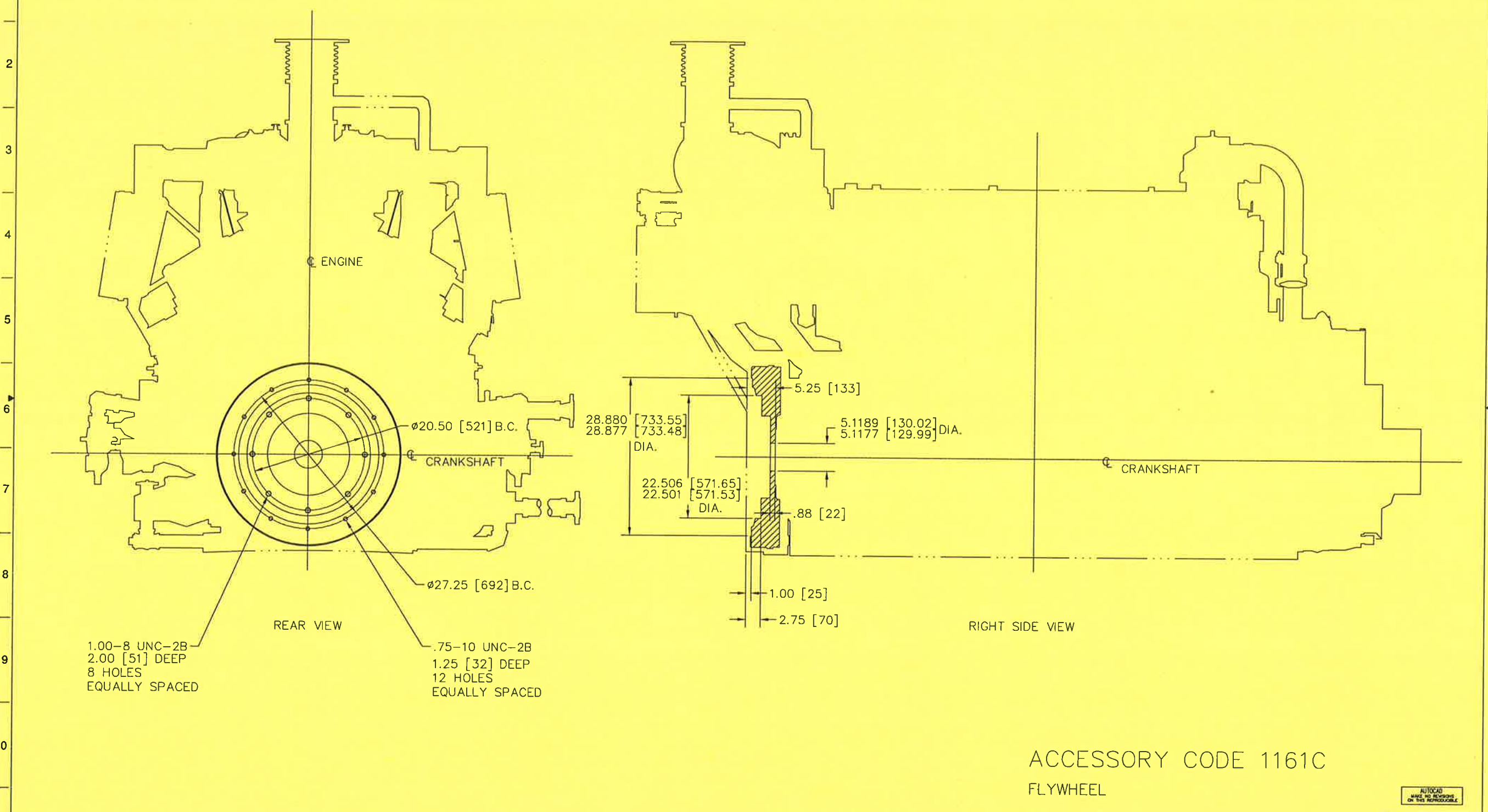


DATE: 2000.05.29 10:46am		FILE NAME: J:\jobs99\DWG\99420\Comp\ASY\ASY-99420-152-ENG-08.dwg		No. 1		ISSUED FOR CONSTRUCTION		S.FARWELL 00/05/99 M.I. gfw		BY DATE CKD ENG		APPROVED		DRAWN		PROPAC		1380 HP STOCK COMPRESSOR PACKAGE		440 East Lake Road,	
																		Postal Bag #2		Airdrie, Alberta	
																				Canada T4B 2C3	
																				DWG. No.: B-ASY-99420-152-ENG SHEET 8 OF 11 REV. 1	

THE DESIGN IT COVERS ARE CONFIDENTIAL AND THE PROPERTY OF PROPAK SYSTEMS LTD., AND SHALL NOT BE DISCLOSED TO OTHERS OR REPRODUCED IN ANY MANNER OR USED FOR ANY PURPOSE WHATSOEVER EXCEPT BY WRITTEN CONSENT OF PROPAK

103881	4-82	RELEASED	111528	2-89	SEE ENGINEERING NOTICE
108108	5-85	SEE ENGINEERING NOTICE	119930	1-96	SEE ENGINEERING NOTICE
109903	3-88	SEE ENGINEERING NOTICE	121622	4-97	SEE ENGINEERING NOTICE

ITEM	PART NO.	REQD.	NAME
------	----------	-------	------



ACCESSORY CODE 1161C  
FLYWHEEL

REPLACES ENGINE CONNECTIONS 11, 12, & 13 ON  
STANDARD PRICE CODE INSTALLATION DRAWING.

AUTOCAD  
PLOT ON THIS REPRODUCIBLE

NAME	ENGINE ACCESSORY
PART NO.	L8041-52
SHEET 1 OF 1	SCALE 1:1

ENGINE OUTLINE IS FOR REFERENCE ONLY ---  
DOES NOT REFLECT ANY SPECIFIC ENGINE ORDER.

THE MANUFACTURER RESERVES THE RIGHT TO CHANGE OR MODIFY THE DESIGN OR EQUIPMENT SPECIFICATIONS AS HEREIN SET FORTH WITHOUT INCURRING ANY OBLIGATION EITHER WITH RESPECT TO ENGINES PREVIOUSLY SOLD OR IN THE PROCESS OF CONSTRUCTION.

MODELS	REFERENCE DRAWINGS	MATERIAL
VHP 6 & 12 CYL & D	C.C.	HEAT TREATMENT

DR DGD	DATE 6-2-97
CR DTB	DATE 6-2-97
APP. RLK	DATE 6-13-97

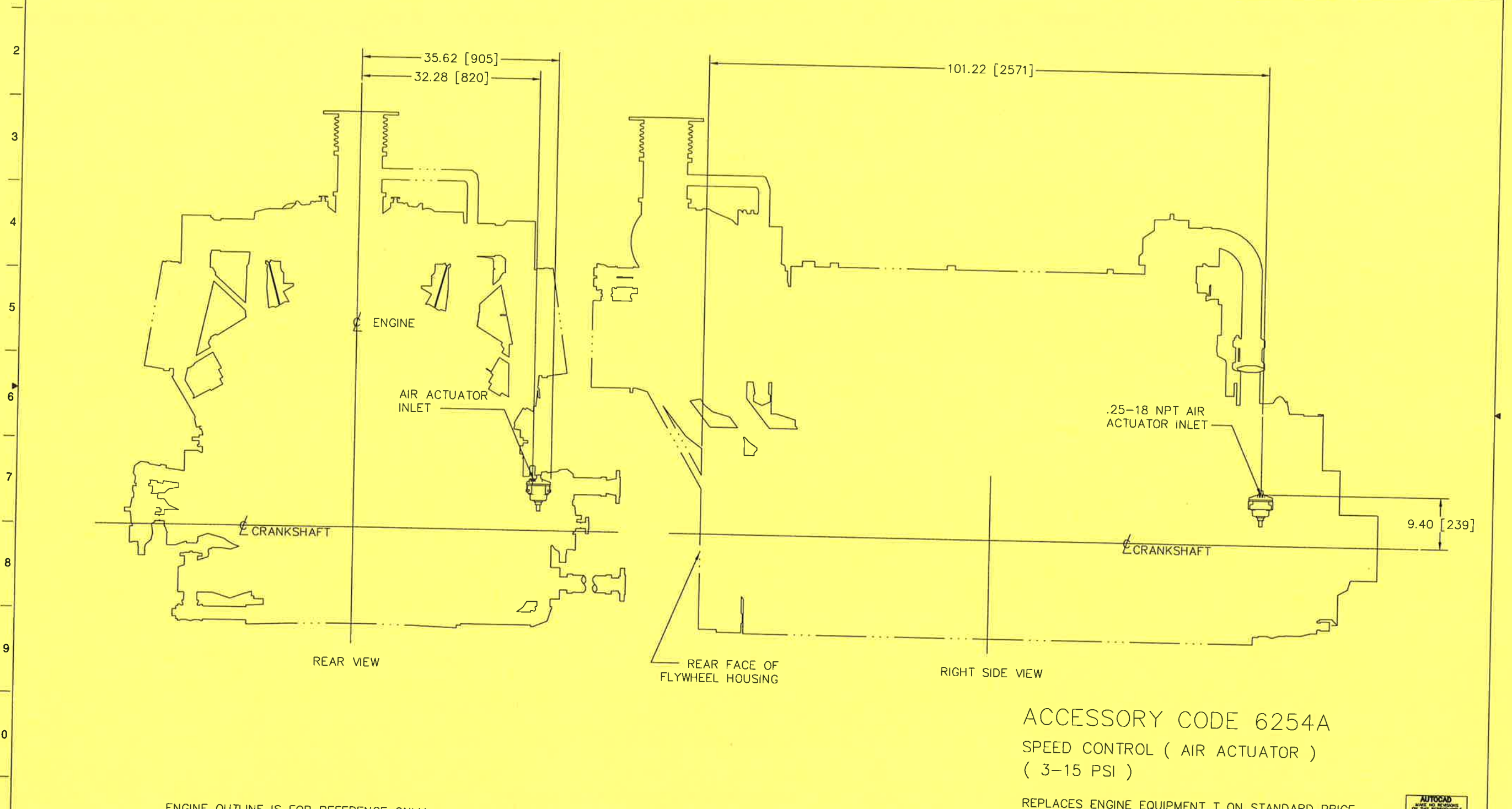


DATE: 2000.05.29 10:47am		FILE NAME: J:\jobs99\DWG\99420\Comp\ASY\ASY-99420-152-ENG-09.dwg		No.		ISSUED FOR CONSTRUCTION		S.FARWELL 00/05/99		BY DATE CKD ENG		APPROVED		DRAWN		PROPAC		440 East Lake Road, Postal Bag #2 Airdrie, Alberta Canada T4B 2C3	
GENERAL NOTES		GENERAL NOTES		1		ISSUED FOR CONSTRUCTION		S.FARWELL 00/05/99		BY DATE CKD ENG		MECH./STRUCT. DATE		BY DATE		1380 HP STOCK COMPRESSOR PACKAGE ENGINE REFERENCE DWG. WAUKESHA ACCESSORY CODE 1161C		DWG. No.: B-ASY-99420-152-ENG SHEET 9 OF 11 REV. 1	

THE DESIGN IT COVERS ARE CONFIDENTIAL AND THE PROPERTY OF PROPAK SYSTEMS LTD., AND SHALL NOT BE DISCLOSED TO OTHERS OR REPRODUCED IN ANY MANNER OR USED FOR ANY PURPOSE WHATSOEVER EXCEPT BY WRITTEN CONSENT OF PROPAK.

109084	11-87	RELEASED: SUPERSEDES	121622	4-97	SEE ENGINEERING NOTICE														
109084	11-87	L8041-72 BOTTOM HALF																	
112281	3-90	SEE ENGINEERING NOTICE																	

ITEM	PART NO.	RECD.	NAME
------	----------	-------	------

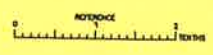


ACCESSORY CODE 6254A  
 SPEED CONTROL ( AIR ACTUATOR )  
 ( 3-15 PSI )

REPLACES ENGINE EQUIPMENT T ON STANDARD PRICE CODE INSTALLATION DRAWING.

AUTOCAD  
MAKE NO REVISIONS OR THIS REPRODUCIBLE

NAME	ENGINE ACCESSORY
PART NO.	L8041-104
SHEET 1 OF 1	SCALE 1:1



DIMENSIONS ARE IN INCHES (MILLIMETERS)

THIS PRINT IS PROVIDED ON A RESTRICTED BASIS. NOT TO BE USED IN ANY WAY DETERMINAL TO THE INTEREST OF WAUKESHA ENGINE DIVISION.

THE MANUFACTURER RESERVES THE RIGHT TO CHANGE OR MODIFY THE DESIGN OR EQUIPMENT SPECIFICATIONS AS HEREIN SET FORTH WITHOUT INCURRING ANY OBLIGATION EITHER WITH RESPECT TO ENGINES PREVIOUSLY SOLD OR IN THE PROCESS OF CONSTRUCTION.

MOODS	REFERENCE DRAWINGS	MATERIAL	DRDGO	DATE
VHP 12	LD5951-176	HEAT TREATMENT	8-4-97	8-4-97
CYL GAS			DTB	8-4-97
			RLK	8-13-97



<p>DATE: 2000.05.29 10:47am FILE NAME: J:\jobs99\DWG\99420\Comp\ASY\ASY-99420-152-ENG-10.dwg</p>		<p>ISSUED FOR CONSTRUCTION</p>		<p>S. FARWELL 00/05/29 P.M. E. SW</p>		<p>APPROVED</p>		<p>DRAWN</p>		<p>MECH./STRUCT. BY S. FARWELL</p>		<p>DATE 00/05/19</p>		<p>PROPAK</p>	
<p>GENERAL NOTES</p>		<p>GENERAL NOTES</p>		<p>REVISION</p>		<p>BY DATE CKD ENG</p>		<p>DATE PROJECT DATE</p>		<p>DATE PROJECT DATE</p>		<p>SCALE N.T.S.</p>		<p>DWG. No.: B-ASY-99420-152-ENG SHEET 10 OF 11 REV. 1</p>	

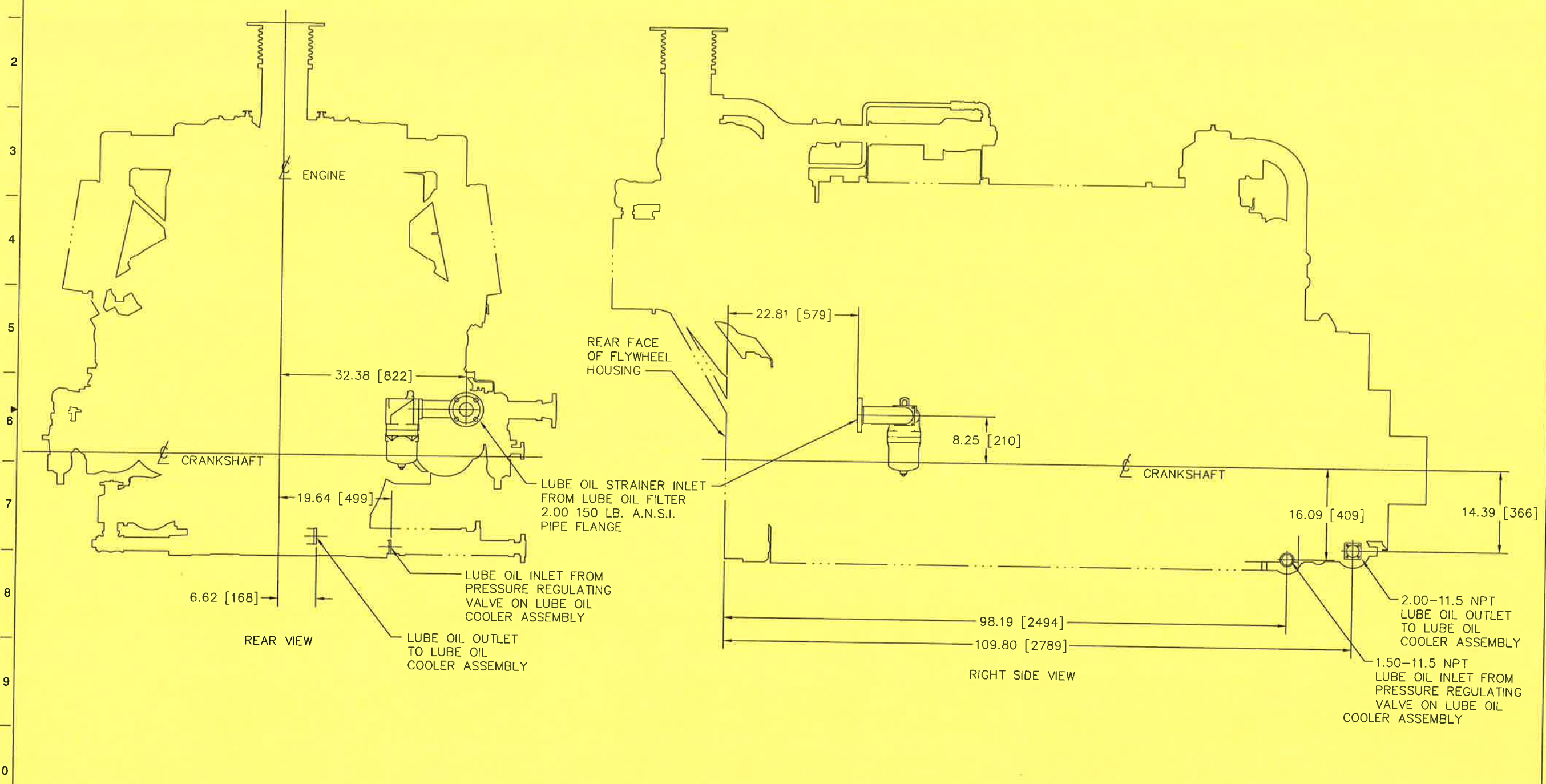
**PROPAK**  
 440 East Lake Road,  
 Postal Bag #2  
 Airdrie, Alberta  
 Canada T4B 2C3



THIS DRAWING AND THE PROPERTY OF PROPAK SYSTEMS LTD., AND SHALL NOT BE DISCLOSED TO OTHERS OR REPRODUCED IN ANY MANNER OR USED FOR ANY PURPOSE WHATSOEVER EXCEPT BY WRITTEN CONSENT OF PROPAK.

111850	8-89	RELEASED, SUPERSEDES	114682	4-92	SEE ENGINEERING NOTICE
111850	8-89	L8041-68 SH12	121622	4-97	SEE ENGINEERING NOTICE
113369	3-91	SEE ENGINEERING NOTICE			
L8041-189					

ITEM	PART NO.	RECD.	NAME
------	----------	-------	------



**ACCESSORY CODE 5105**  
**OMISSION OF FLEXIBLE LUBE OIL CONNECTIONS**  
 REPLACES ENGINE EQUIPMENT R, S, X, AND ENGINE CONNECTIONS 42 AND 43 ON STANDARD PRICE CODE INSTALLATION DRAWING.

AUTOCAD  
 MAKE NO CHANGES  
 ON THIS REPRODUCIBLE

NAME	ENGINE ACCESSORY
PART NO.	L8041-189
SHEET	1 OF 1
SCALE	1:8

THIS PRINT IS PROVIDED ON A RESTRICTED BASIS. NOT TO BE USED IN ANY WAY DETRIMENTAL TO THE INTEREST OF WAUKESHA ENGINE DIVISION.

THE MANUFACTURER RESERVES THE RIGHT TO CHANGE OR MODIFY THE DESIGN OR EQUIPMENT SPECIFICATIONS AS HEREIN SET FORTH WITHOUT INCURRING ANY OBLIGATION EITHER WITH RESPECT TO ENGINES PREVIOUSLY SOLD OR IN THE PROCESS OF CONSTRUCTION.

MODELS	REFERENCE DRAWINGS	MATERIAL
VHP 12		
CYL		
C.C.		HEAT TREATMENT

DR DGD	DATE 6-4-97
CK DTB	DATE 6-4-97
APP RLK	DATE 6-13-97



GENERAL NOTES		GENERAL NOTES		1 ISSUED FOR CONSTRUCTION		S.FARWELL 00/05/29		M.E. [Signature]	
DATE: 2000.05.29 10:48am	FILE NAME: J:\jobs99\DWG\99420\Comp\ASY\ASY-99420-152-ENG-11.dwg	No.	REVISION	BY	DATE	CKD	ENG		

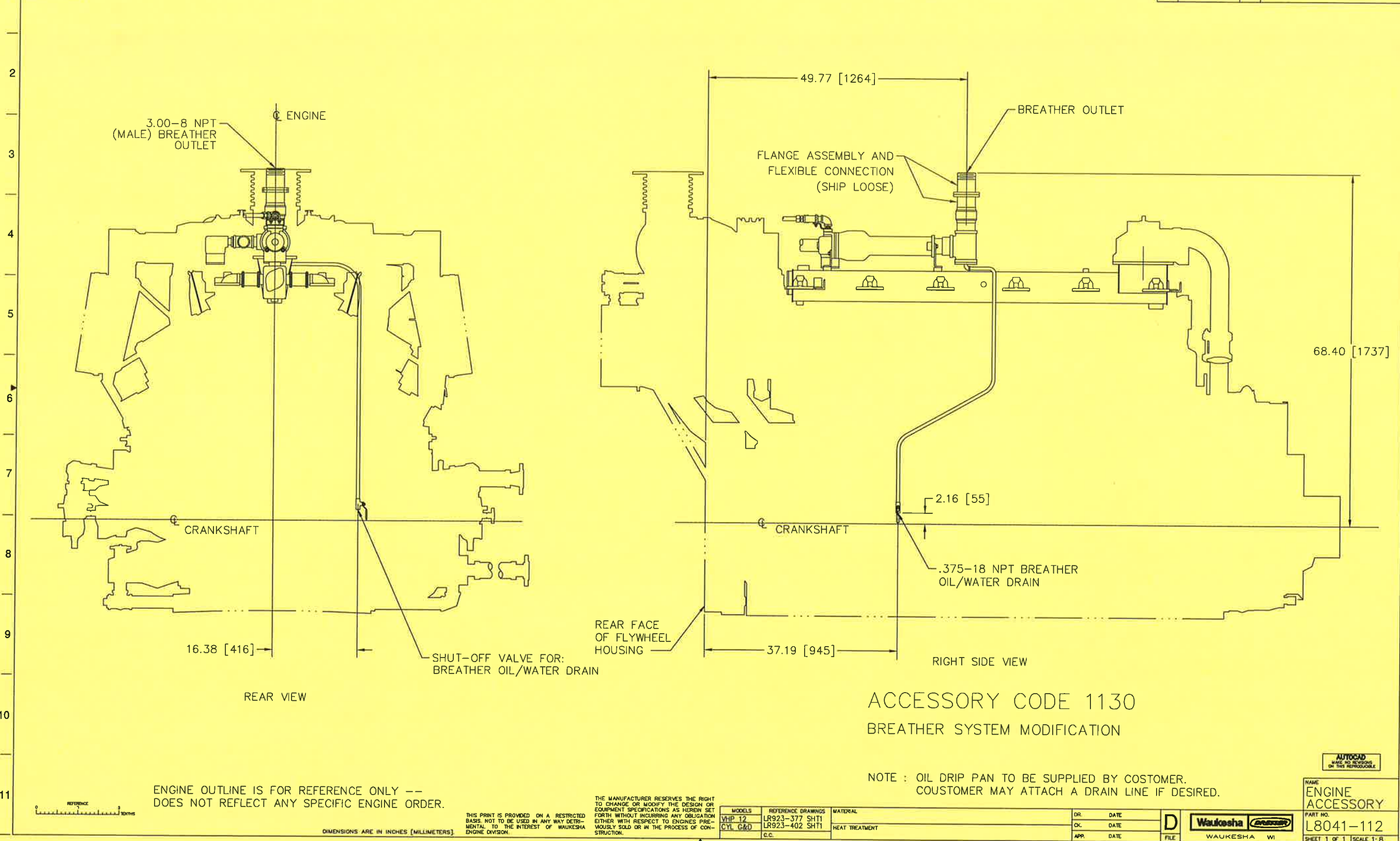
APPROVED		DRAWN	
MECH./STRUCT.	BY S.FARWELL	DATE	00/05/19
ELECTRICAL	CHECKED	DATE	
PROJECT	BY M. J. [Signature]	DATE	MAY 25/00
DATE		SCALE	N.T.S.

PROPAC  
 1380 HP STOCK COMPRESSOR PACKAGE  
 ENGINE REFERENCE DWG.  
 WAUKESHA ACCESSORY CODE 5105  
 DWG. No.: B-ASY-99420-152-ENG SHEET 11 OF 11 REV. 1

**PROPAC**  
 440 East Lake Road,  
 Postal Bag #2  
 Airdrie, Alberta  
 Canada T4B 2C3

THE DESIGN IT COVERS ARE CONFIDENTIAL AND THE PROPERTY OF PROPAK SYSTEMS LTD., AND SHALL NOT BE DISCLOSED TO OTHERS OR REPRODUCED IN ANY MANNER OR USED FOR ANY PURPOSE WHATSOEVER EXCEPT BY WRITTEN CONSENT OF PROPAK.

109723	12-87	RELEASED, SUPERSEDES L8041-67 SHEET 3	115956	3-93	SEE ENGINEERING NOTICE														
113623	4-91	RELEASED	121622	4-97	SEE ENGINEERING NOTICE														



ACCESSORY CODE 1130  
BREATHER SYSTEM MODIFICATION

NOTE : OIL DRIP PAN TO BE SUPPLIED BY COSTOMER.  
COSTUMER MAY ATTACH A DRAIN LINE IF DESIRED.



ENGINE OUTLINE IS FOR REFERENCE ONLY -- DOES NOT REFLECT ANY SPECIFIC ENGINE ORDER.

DIMENSIONS ARE IN INCHES [MILLIMETERS]

THIS PRINT IS PROVIDED ON A RESTRICTED BASIS, NOT TO BE USED IN ANY WAY DETRIMENTAL TO THE INTEREST OF WAUKESHA ENGINE DIVISION.

THE MANUFACTURER RESERVES THE RIGHT TO CHANGE OR MODIFY THE DESIGN OR EQUIPMENT SPECIFICATIONS AS HEREIN SET FORTH WITHOUT INCURRING ANY OBLIGATION EITHER WITH RESPECT TO ENGINES PREVIOUSLY SOLD OR IN THE PROCESS OF CONSTRUCTION.

MODELS	REFERENCE DRAWINGS	MATERIAL	DR	DATE
VHP 12	LR923-377 SHT1		CK	DATE
CYL G&D	LR923-402 SHT1	HEAT TREATMENT	APP	DATE
C.C.			FILE	

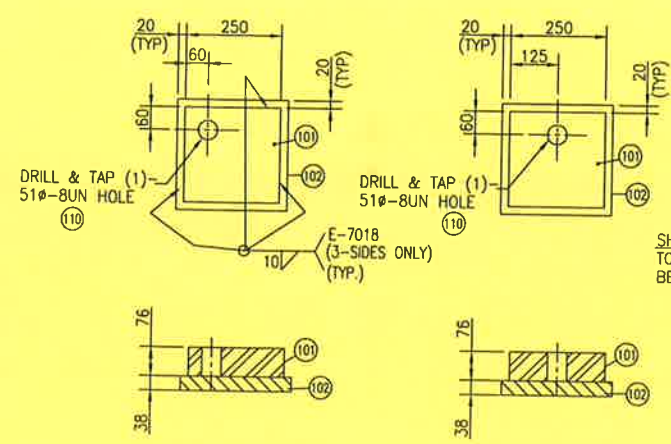
**AUTOCAD**  
MAKE NO REVISIONS ON THIS REPRODUCTION

NAME: ENGINE ACCESSORY  
PART NO.: L8041-112  
SHEET 1 OF 1 SCALE 1:1

**Waukesha** **BRASS**  
WAUKESHA WI

DATE: 2000.06.07 1:19pm		FILE NAME: J:\jobs99\DWG\99420\Comp\ASY\ASY-99420-152-ENG-12.dwg		No. 1		ISSUED FOR CONSTRUCTION		S.FARWELL 00/06/07		BY DATE CKD ENG		APPROVED		DRAWN		PROPAG		1380 HP STOCK COMPRESSOR PACKAGE		440 East Lake Road,	
												MECH./STRUCT. DATE		BY S.FARWELL DATE 00/06/07				Postal Bag #2			
												ELECTRICAL DATE		CHECKED				Airdrie, Alberta			
												PROJECT DATE		BY DATE				Canada T4B 2C3			
												DATE		SCALE		N.T.S.		DWG. No.: B-ASY-99420-152-ENG		SHEET 12 OF 12	
																		REV. 1			

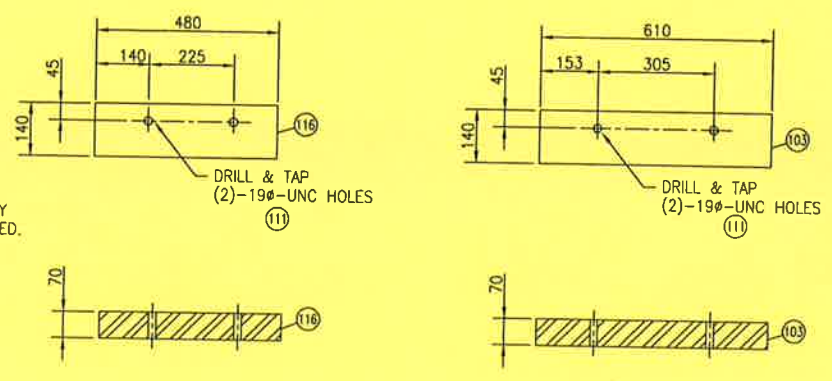
THIS DRAWING AND THE DESIGN IT COVERS ARE CONFIDENTIAL AND THE PROPERTY OF PROPAK SYSTEMS LTD., AND SHALL NOT BE DISCLOSED TO OTHERS OR REPRODUCED IN ANY MANNER OR USED FOR ANY PURPOSE WHATSOEVER EXCEPT BY WRITTEN CONSENT OF PROPAK



**ITEM #101A DETAIL**  
SCALE 1:10 (4 REQUIRED)

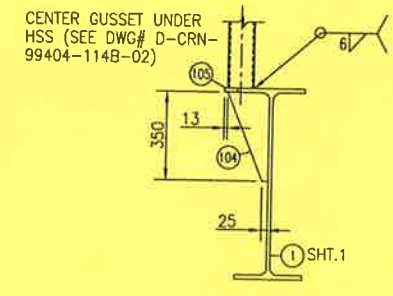
**ITEM #101B DETAIL**  
SCALE 1:10 (4 REQUIRED)

SHOP NOTE:  
TOP SURFACE OF BLOCKS MAY  
BE MACHINED FLAT IF REQUIRED.



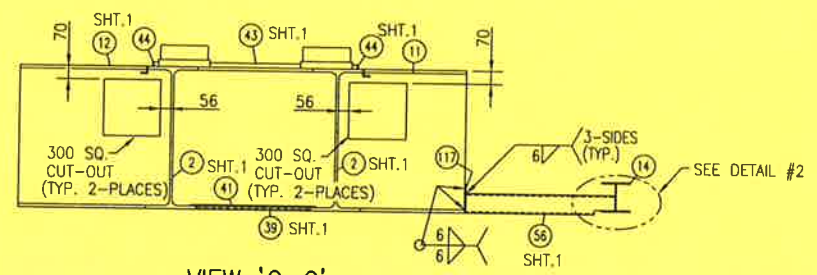
**ITEM #116 DETAIL**  
SCALE 1:10 (2 REQUIRED)

**ITEM #103 DETAIL**  
SCALE 1:10 (4 REQUIRED)

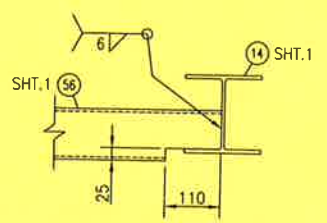


**DETAIL #1**  
SCALE 1:15 (TYP. 6-PLACES)

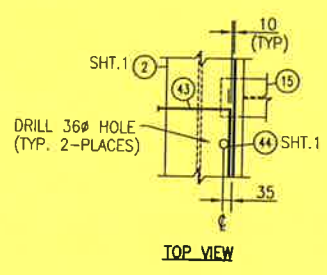
BILL OF MATERIAL		
ITEM	QUA	DESCRIPTION
101	8	PLATE: 76 THK. x 250 SQ. (SEE DETAIL)
102	8	PLATE: 38 THK. x 290 SQ.
103	4	PLATE: 70 THK. x 140 x 610 LG. (SEE DETAIL)
104	6	PLATE: 13 THK. x 163 x 350 LG. (CTS)
105	6	F/BAR: 16 THK. x 51 x 152 LG.
106	1	HALF CPLG: 14-3000# NPT
107	2	HALF CPLG: 21-3000# NPT
108	1	HALF CPLG: 33-3000# NPT
109	3	HALF CPLG: 48-3000# NPT
110	8	BOLTS: 51#-8UN x 159 LG. FULL THREAD c/w (1) WASHER EA.
111	12	BOLTS: 19#-UNC x 89 LG. FULL THREAD c/w (1) WASHER EA.
112	16	BOLTS: 19# x 152 LG. FULL THREAD c/w (1) NUT EA. (ZINC COATED)
113	16	COUPLING NUT: 19# x 57 LG. HEX HEAD
114	8	F/BAR: 13 THK. x 51 x 172 LG. (CTS)
115	8	F/BAR: 13 THK. x 51 x 135 LG. (CTS)
116	2	PLATE: 70 THK. x 140 x 480 LG. (SEE DETAIL)
117	2	F/BAR: 10 THK. x 152 x 265 LG.
118	1	PLATE: 6 THK. x 840 WD x 2170 LG.



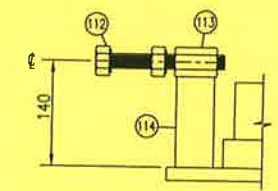
**VIEW 'C-C'**  
SCALE 1:20



**DETAIL #2**  
SCALE 1:7.5 (2-PLACES)

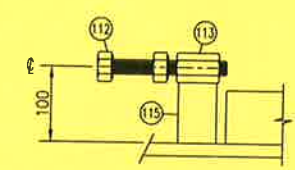


**TOP VIEW**

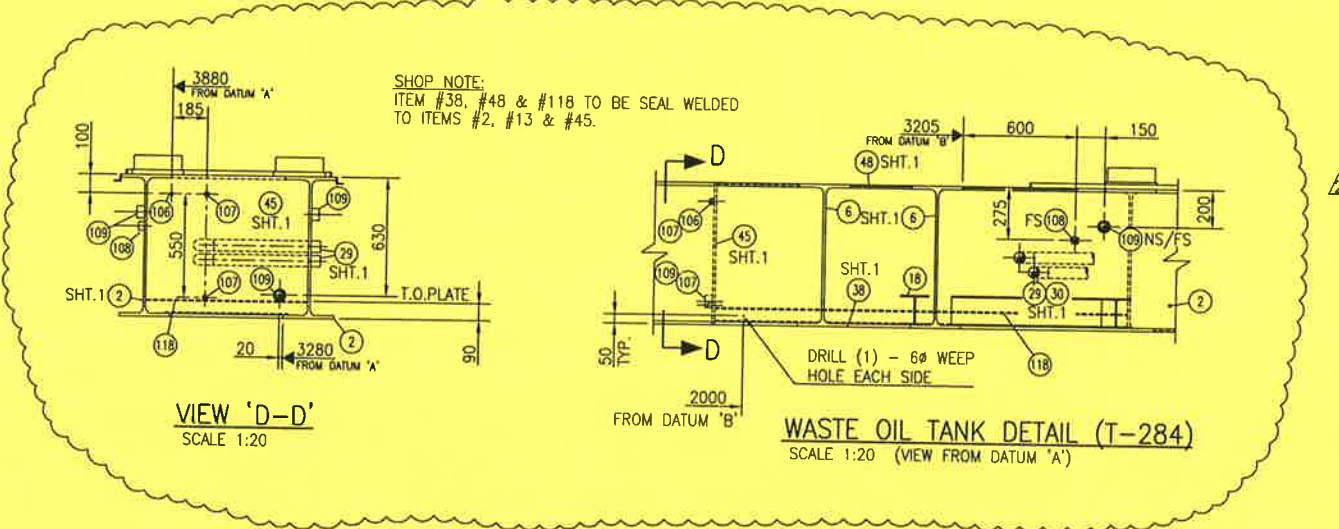


**COMP. JACKING SCREW**  
SCALE 1:5 (8-REQUIRED)

NOTE:  
LOCATE JACK SCREWS ON ASSEMBLY



**ENGINE JACKING SCREW**  
SCALE 1:5 (8-REQUIRED)



**VIEW 'D-D'**  
SCALE 1:20

**WASTE OIL TANK DETAIL (T-284)**  
SCALE 1:20 (VIEW FROM DATUM 'A')

MAIN/CORNER JOINT	SLEEPER JOINT	PIPE/H.S.S. SLEEVE	CONCRETE BARRIER	GUSSET DETAIL	COMMUN. CHAMBER	EQUIP. SUPPORT	SEAL PAN

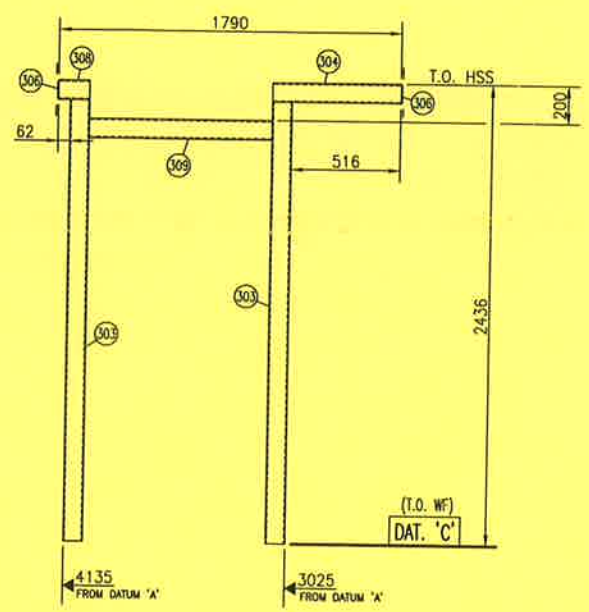
GENERAL NOTES		REVISION		APPROVED		DRAWN	
DATE: 2000.09.29 1:18pm FILE NAME: J:\jobs99\DWG\99420\Comp\SKD\SKD-99420-310A-02.dwg		2 REVISED WASTE OIL TANK AS SHOWN		S. BRODIE 09/29/00		BY S. FARWELL	
		1 ISSUED FOR CONSTRUCTION		S. FARWELL 00/05/17		DATE 00/04/28	
						CHECKED	
						BY S. LESLIE	
						DATE 00/05/17	
						SCALE AS NOTED	

APPROVED		DRAWN	
MECH./STRUCT.	BY S. FARWELL	DATE	00/04/28
ELECTRICAL	BY S. LESLIE	DATE	00/05/17
PROJECT	S. WARD	DATE	00/05/17
DATE	00/05/17	SCALE	AS NOTED

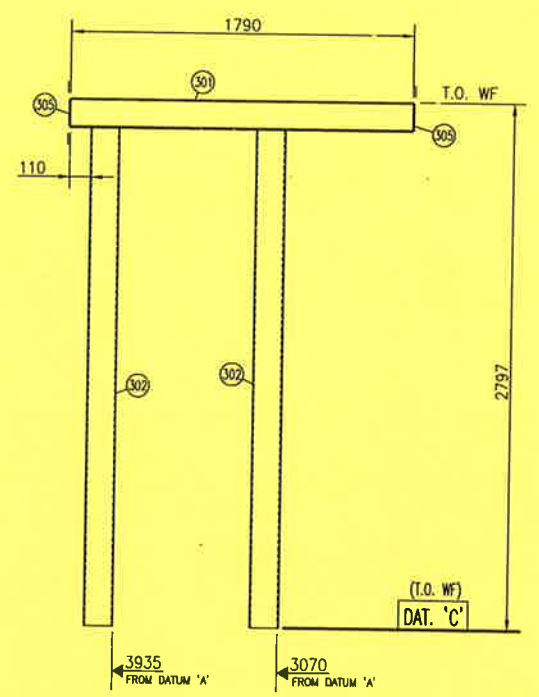
<b>PROPAK</b>	
1380 HP STOCK COMPRESSOR SKID STEEL DETAILS	
DWG. No.:	D-SKD-99420-310A
SHEET	2 OF 4
REV.	2

**PROPAK**  
440 East Lake Road,  
Postal Bag #2  
Airdrie, Alberta  
Canada T4B 2C3

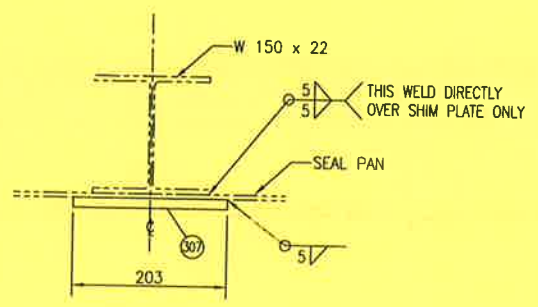
THIS DRAWING AND THE DESIGN IT COVERS ARE CONFIDENTIAL AND THE PROPERTY OF PROPAK SYSTEMS LTD., AND SHALL NOT BE DISCLOSED TO OTHERS OR REPRODUCED IN ANY MANNER OR USED FOR ANY PURPOSE WHATSOEVER EXCEPT BY WRITTEN CONSENT OF PROPAK



DETAIL 'PS-01' SCALE 1:20

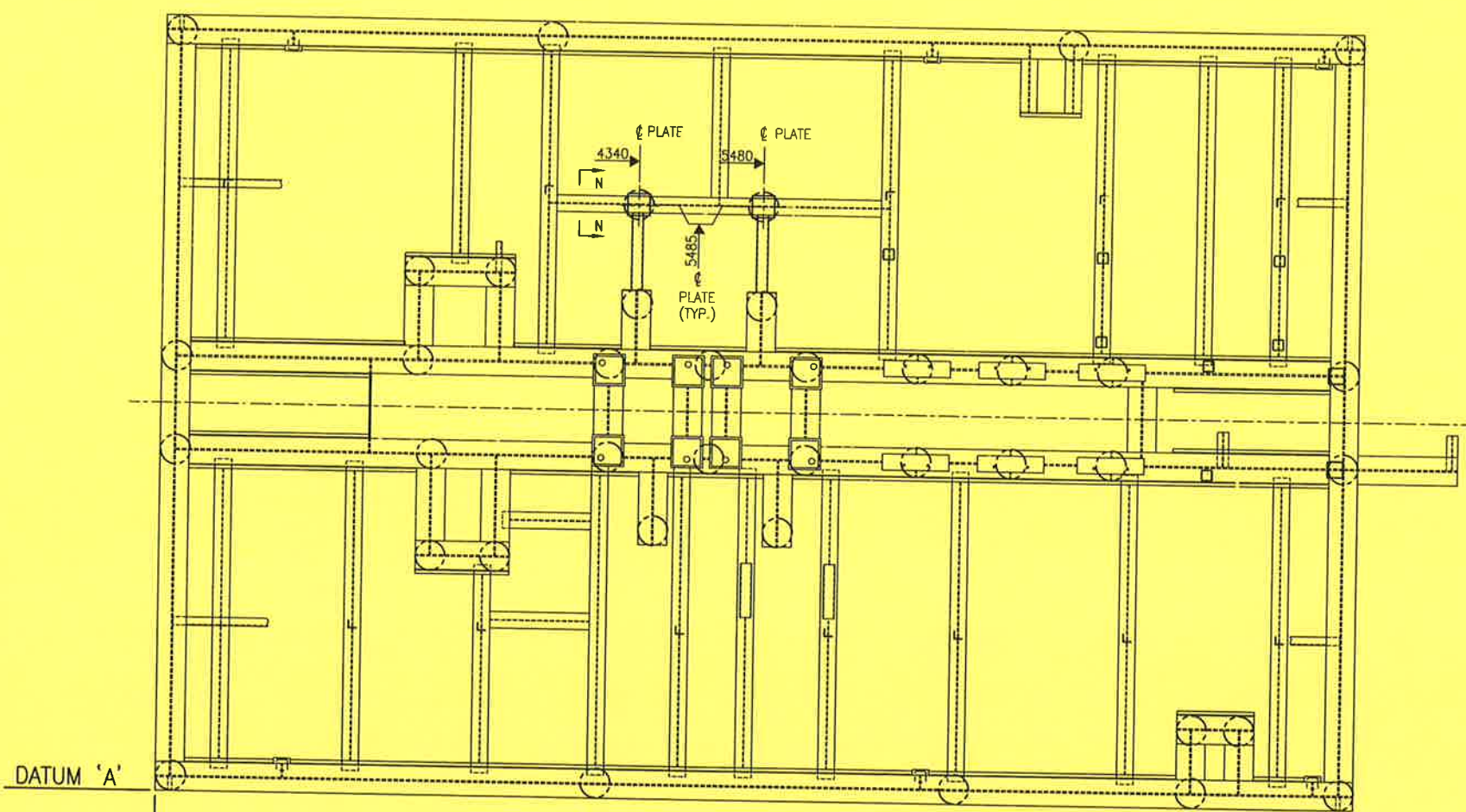


DETAIL 'PS-02' SCALE 1:20



VIEW 'N-N'  
SCALE 1:20  
(TYP. OF 2)

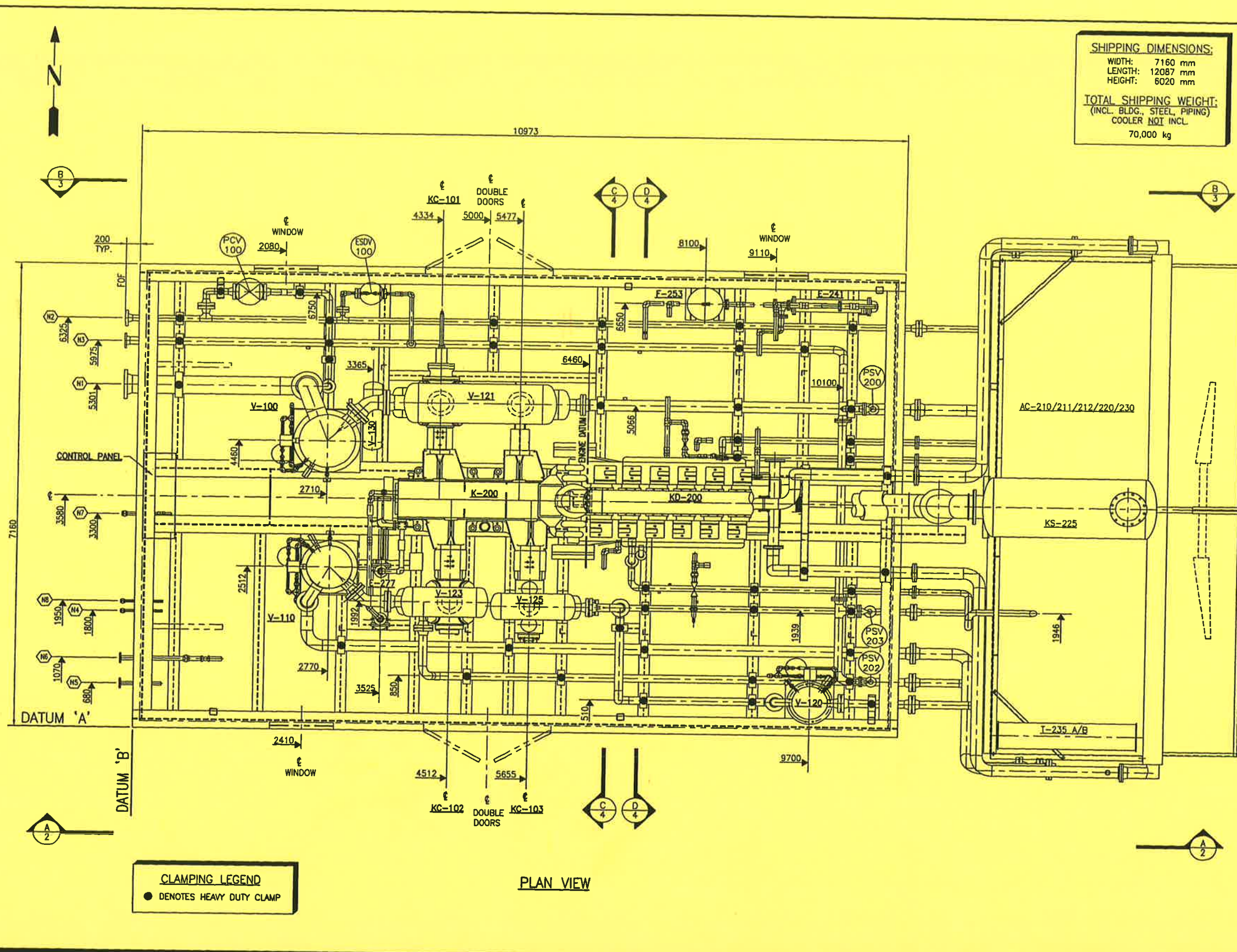
BILL OF MATERIAL			
ITEM	QUA	DESCRIPTION	
301	1	W150 x 22 x 1790 LG.	G40.21M-300W
302	2	HSS: 152 x 152 x 6 THK. x 2642 LG.	G40.21M-350W
303	2	HSS: 102 x 102 x 6 THK. x 2334 LG.	G40.21M-350W
304	1	HSS: 102 x 102 x 6 THK. x 618 LG.	G40.21M-350W
305	2	F/BAR: 6 THK. x 152 x 143 LG.	G40.21M-300W
306	2	F/BAR: 6 THK. x 90 SQ.	G40.21M-300W
307	2	F/BAR: 13 THK. x 203 SQ.	G40.21M-300W
308	1	HSS: 102 x 102 x 6 THK. x 164 LG.	G40.21M-350W
309	1	HSS: 102 x 102 x 6 THK. x 1005 LG.	G40.21M-350W



SHIM PLATE & SUGGESTED PILE LOCATIONS  
(2)-SHIM PLATES REQUIRED (UNDER SEAL PAN)  
SCALE 1:30

<b>GENERAL NOTES</b> DATE: 2000.10.16 3:39pm FILE NAME: J:\jobs99\DWG\99420\Comp\SKD\SKD-99420-314A-04.dwg		<b>GENERAL NOTES</b> 2 REVISED 'PS-01' 1 ISSUED FOR CONSTRUCTION		PHIL R 00/10/16 S.FARWELL 00/05/17		S.W. S.W.		<b>APPROVED</b> MECH./STRUCT. BY S.FARWELL DATE 00/05/03 <b>ELECTRICAL</b> CHECKED DATE BY S.LESLIE PROJECT S.WARD DATE 00/05/17 DATE 00/05/17		<b>DRAWN</b> BY S.FARWELL DATE 00/05/03 CHECKED BY S.LESLIE DATE 00/05/17 SCALE AS NOTED		<b>PROPAK</b> 1478 HP STOCK COMPRESSOR SKID STEEL DETAILS		<b>PROPAK</b> 440 East Lake Road, Postal Bag #2 Airdrie, Alberta Canada T4B 2C3	
<b>REVISION</b> No.		REVISION		BY DATE CKD ENG		DWG. No.: D-SKD-99420-314A		SHEET 4 OF 4		REV. 2					

THIS DRAWING AND THE DESIGN IT COVERS ARE CONFIDENTIAL AND THE PROPERTY OF PROPAG SYSTEMS LTD. AND SHALL NOT BE DISCLOSED TO OTHERS OR REPRODUCED IN ANY MANNER OR USED FOR ANY PURPOSE WHATSOEVER EXCEPT BY WRITTEN CONSENT OF PROPAG SYSTEMS LTD.



**SHIPPING DIMENSIONS:**  
 WIDTH: 7160 mm  
 LENGTH: 12087 mm  
 HEIGHT: 6020 mm

**TOTAL SHIPPING WEIGHT:**  
 (INCL. BLDG., STEEL, PIPING)  
 COOLER NOT INCL.  
 70,000 kg

NOZZLE SCHEDULE					
MK	SIZE	RATING	FACING	SERVICE	ELEVATION
N1	273	300#	RFWN	INLET	-426
N2	89	900#	RFWN	OUTLET	-518
N3	114	150#	RFWN	FLARE	-505
N4	33	3000#	UNION	HCL DRAIN	-150
N5	60	150#	RFSW	CLEAN FUEL GAS SUPPLY	-150
N6	60	150#	RFSW	CLEAN START GAS SUPPLY	-150
N7	48	3000#	UNION	WASTE OIL PUMP OUT	-150
N8	33	3000#	UNION	INSTRUMENT AIR	-216

ELEVATIONS ARE FROM T.O. WF

**MAJOR COMPONENTS**

COMPONENT	WEIGHTS:
<b>COMPRESSOR:</b> DRESSER RAND 6HOS 4 THROW, 3 STAGE	8390 kg (INCL. CYLINDERS)
<b>DRIVER:</b> WAUKESHA L7042GL	9525 kg
<b>COOLER:</b> AERIAL COOLER PROPAG 1-SV-1-156-312-F	20700 kg
<b>SCRUBBERS:</b>	
V-100 1st STG.: 813ø x 1930 S/S x 4516 kPag	1842 kg
V-110 2nd STG.: 660ø x 1626 S/S x 4516 kPag	1080 kg
V-120 3rd STG.: 508ø x 1473 S/S x 9067 kPag	816 kg
<b>BOTTLES:</b>	
<b>STAGE #1</b>	
V-121 SUCTION: 610ø x 1778 S/S x 4516 kPag	797 kg
V-122 DISCHARGE: 457ø x 2235 S/S x 4447 kPag	586 kg
<b>STAGE #2</b>	
V-123 SUCTION: 457ø x 914 S/S x 4516 kPag	301 kg
V-124 DISCHARGE: 406ø x 1016 S/S x 8908 kPag	460 kg
<b>STAGE #3</b>	
V-125 SUCTION: 406ø x 914 S/S x 9067 kPag	402 kg
V-126 DISCHARGE: 356ø x 1016 S/S x 11377 kPag	393 kg

**UNBALANCED INERTIA FORCES ON FOUNDATION**

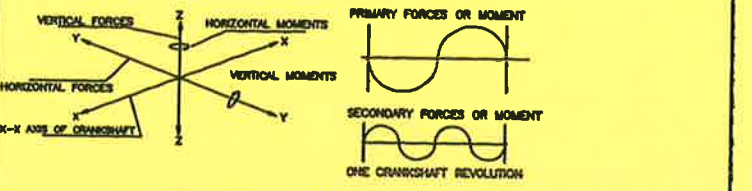
FOUNDATION MUST BE DESIGNED TO RESIST THE FOLLOWING FORCES:

MAXIMUM HORIZONTAL PRIMARY FORCES	347 LBS
MAXIMUM HORIZONTAL SECONDARY FORCES	92 LBS
MAXIMUM VERTICAL PRIMARY FORCES	0 LBS
MAXIMUM VERTICAL SECONDARY FORCES	0 LBS

MAXIMUM HORIZONTAL PRIMARY MOMENT (ABT. AXIS Z-Z) 14,422 FT-LBS  
 MAXIMUM HORIZONTAL SECONDARY MOMENT (ABT. AXIS Z-Z) 1112 FT-LBS  
 MAXIMUM VERTICAL PRIMARY MOMENT (ABT. AXIS Y-Y) 25,157 FT-LBS  
 MAXIMUM VERTICAL SECONDARY MOMENT (ABT. AXIS Y-Y) 0 FT-LBS

ABOVE UNBALANCED FIGURED AT 1200 RPM, 2 LB. MAX. IMBALANCE  
 AT OTHER SPEEDS THIS UNBALANCED WILL VARY BY:  $(\frac{\text{NEW SPEED}}{\text{CALCULATED SPEED}})^2$

NOTED 1: MOMENT TAKEN ABOUT AXIS THROUGH CENTER OF SHAFT FORCES AS ACTING ON CENTER OF SHAFT.  
 NOTED 2: PRIMARY FORCES AND THE MOMENTS CHANGE FROM ZERO TO MAXIMUM GIVEN ABOVE TO ZERO TO SAME MAXIMUM IN REVERSE DIRECTION AND BACK TO ZERO ONCE IN A CRANKSHAFT REVOLUTION. SECONDARY FORCES AND MOMENTS GO THROUGH THIS CYCLE TWICE IN A REVOLUTION. THE SKETCH SHOWS THIS.



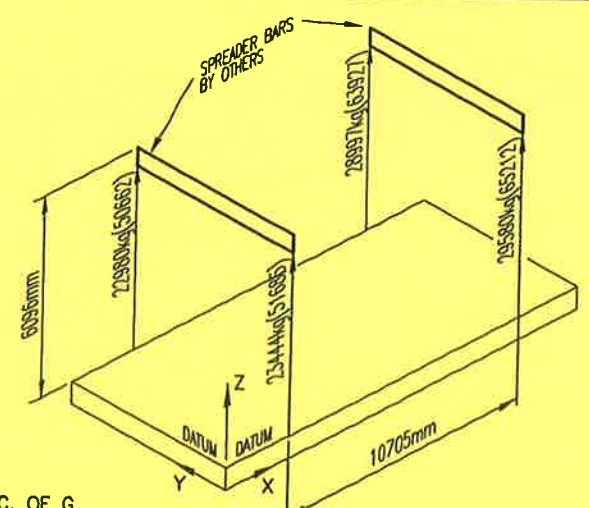
NOTED 3: UNIT ORIGIN IS DATUM INTERSECTION @ TOP OF SHD  
 NOTED 4: UNIT APPROX. CENTRE OF GRAVITY: (X,Y,Z) = (SEE LIFTING DIAGRAM SHT.2)

**CLAMPING LEGEND**  
 ● DENOTES HEAVY DUTY CLAMP

PLAN VIEW

<b>GENERAL NOTES</b> DATE: 2000.09.21 2:23pm FILE NAME: J:\jobs99\DWG\99420\Comp\ASY\ASY-99420-352-01.dwg		<b>GENERAL NOTES</b> 1 ENGINE WAS WAUKESHA 5794GSI & UNBALANCED FORCES REV'D.		D. SMITH 00/09/21 BY DATE CKD ENG		<b>APPROVED</b> MECH./STRUCT. BY S.F./D.SMITH DATE 00/09/21 ELECTRICAL CHECKED DATE 11/09/21 BY G. ZAVALA PROJECT DATE 01/09/21		<b>DRAWN</b> BY S.F./D.SMITH DATE 00/09/21 CHECKED DATE 01/09/21		<b>PROPAG</b> 1478 HP STOCK COMPRESSOR PACKAGE W1478, 6 HOS 3 LAYOUT-PLAN VIEW		<b>PROPAG</b> 440 East Lake Road, Postal Bag #2 Airdrie, Alberta Canada T4B 2C3	
REVISION No. 1				SCALE 1:30		DWG. No.: D-ASY-99420-352		SHEET 1 OF 4 REV. 1					

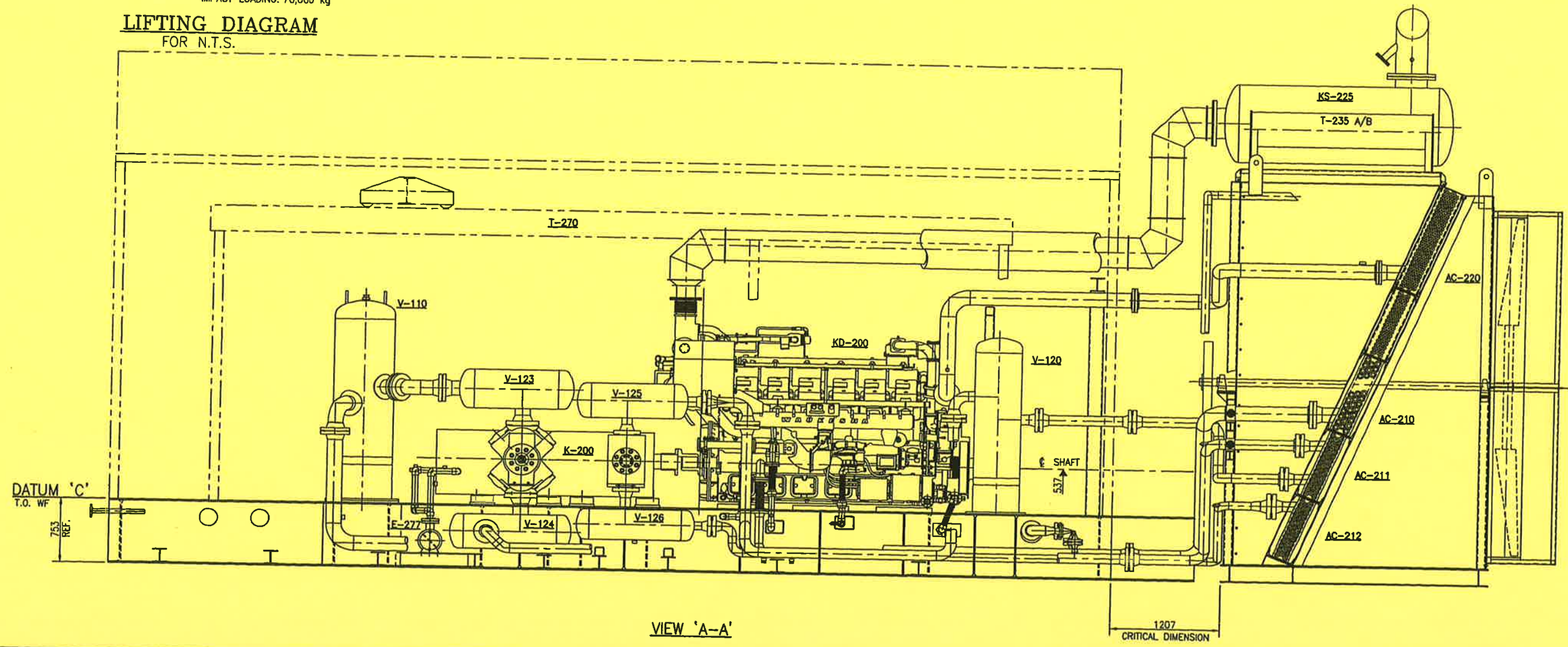
THIS DRAWING AND THE DESIGN IT COVERS ARE CONFIDENTIAL AND THE PROPERTY OF PROPAK SYSTEMS LTD. AND SHALL NOT BE DISCLOSED TO OTHERS OR REPRODUCED IN ANY MANNER OR USED FOR ANY PURPOSE WHATSOEVER EXCEPT BY WRITTEN CONSENT OF PROPAK.



**C. OF G.**  
 DIMS FROM DATUM  
 X: 6110 mm  
 Y: 3545 mm  
 Z: 380 mm

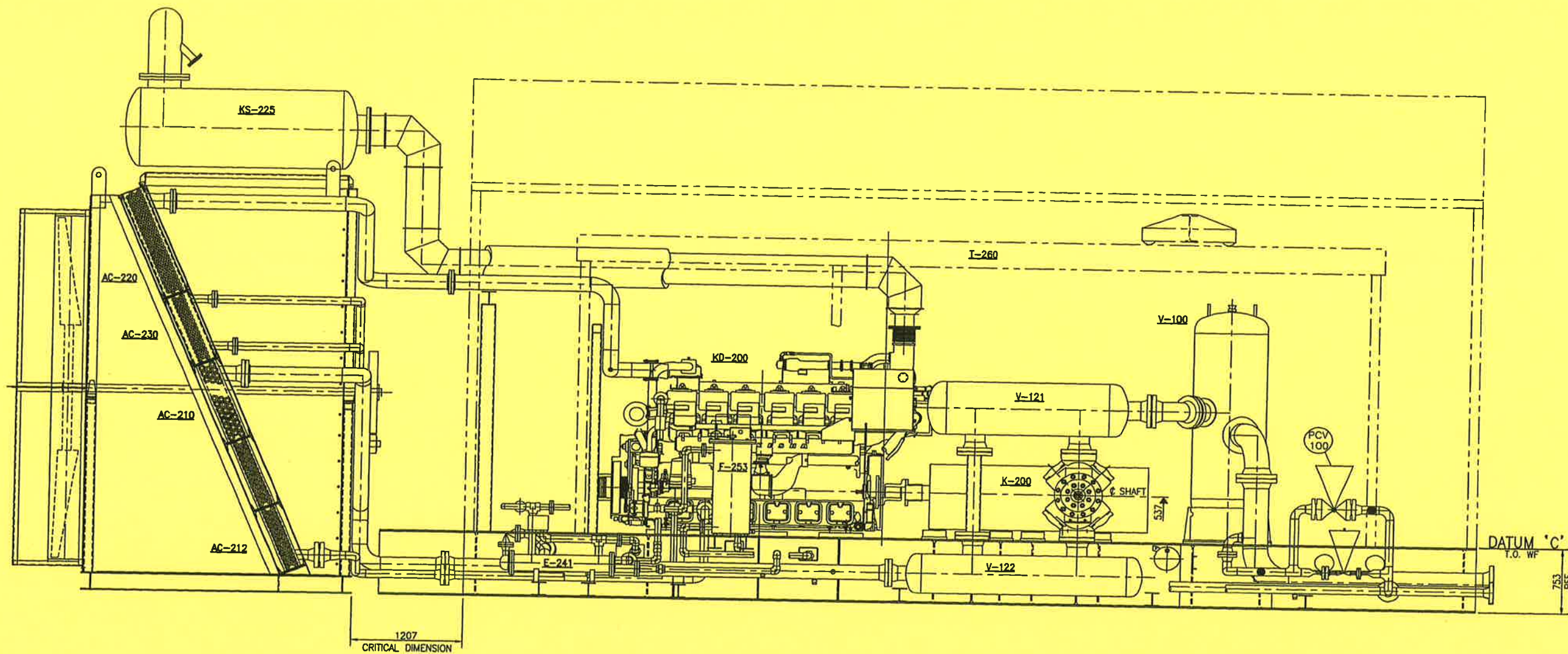
- NOTE:**
1. WEIGHTS SHOWN IN DIAGRAM INCLUDE 50% EXCESS FOR DYNAMIC LOADING
  2. CALCULATED SHIPPING WEIGHT WITHOUT IMPACT LOADING: 70,000 kg

**LIFTING DIAGRAM**  
FOR N.T.S.



GENERAL NOTES		GENERAL NOTES		1 ENGINE WAS MAUKESHA 5794GS		D. SMITH 09/09/21		APPROVED		DRAWN		PROPAC		PROPAC	
				No. REVISION		BY DATE CRD ENG		MECH./STRUCT. BY S.F./D. SMITH		DATE 00/09/21		440 East Lake Road,		Postal Bag #2	
								ELECTRICAL BY CHECKED		DATE 00/09/21		Airdrie, Alberta		Canada T4B 2C3	
								PROJECT BY G. ZAVALA		DATE 00/09/21		178 HP STOCK COMPRESSOR PACKAGE		LAYOUT	
								DATE 00/09/21		SCALE 1:25		DWG. No. 1 D-ASY-99420-352		SHEET 2 OF 4 REV.	

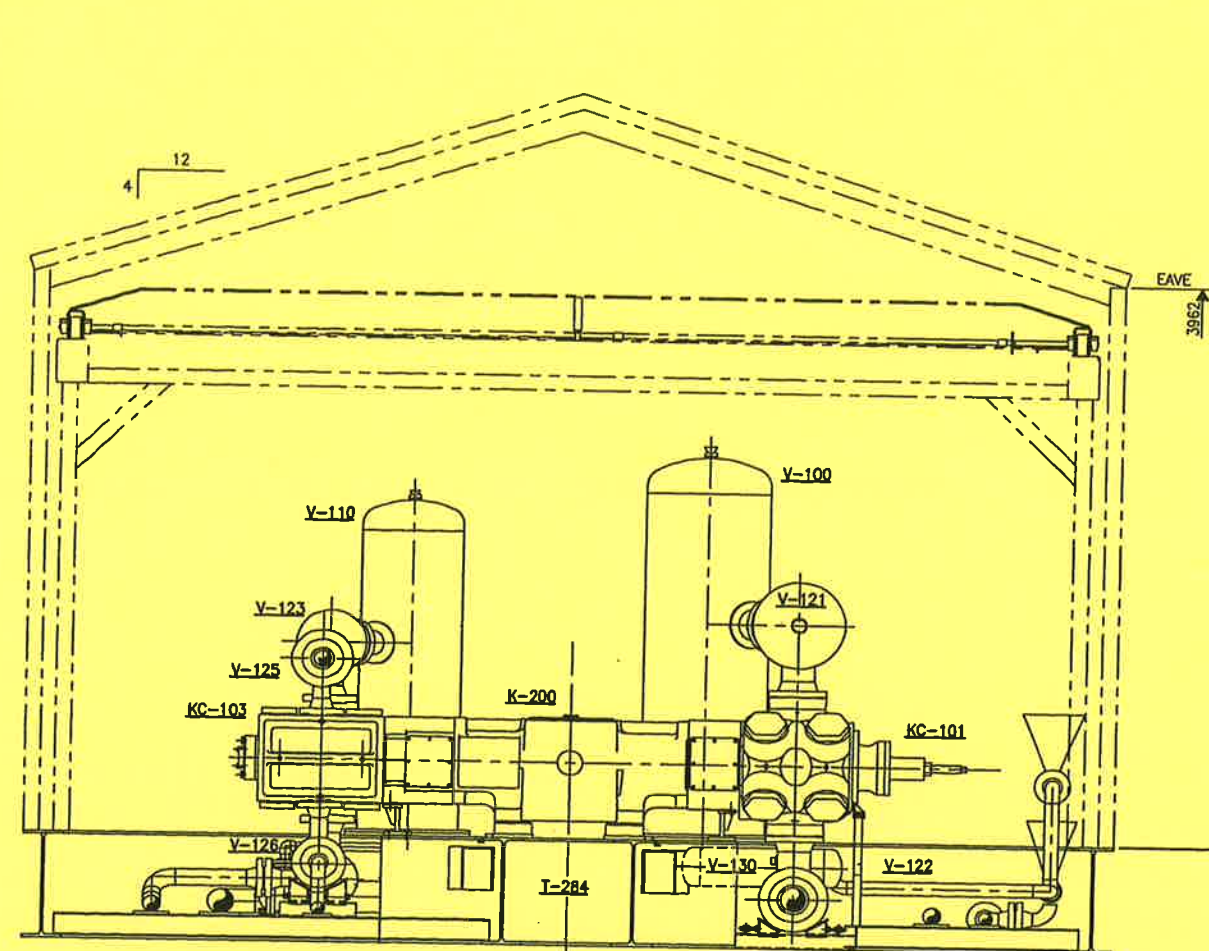
THE DESIGN IT COVERS ARE CONFIDENTIAL AND THE PROPERTY OF PROPAK SYSTEMS LTD., AND SHALL NOT BE DISCLOSED TO OTHERS OR REPRODUCED IN ANY MANNER OR USED FOR ANY PURPOSE WHATSOEVER EXCEPT BY WRITTEN CONSENT OF PROPAK.



VIEW 'B-B'

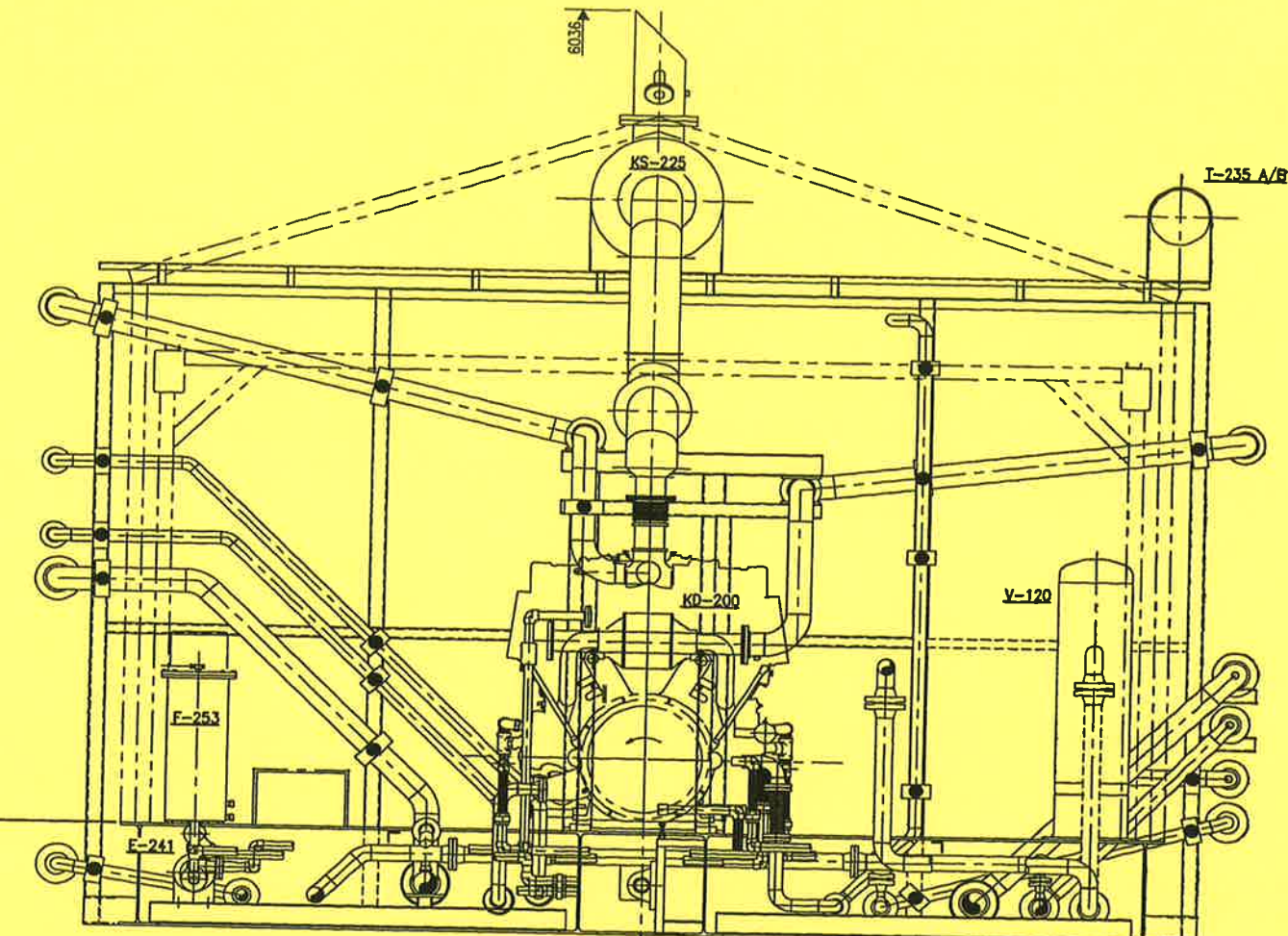
GENERAL NOTES		GENERAL NOTES		1		ENGINE WAS WAIKESHA 5794GS		D. SMITH 00/09/21		APPROVED		DRAWN		PROPAC		440 East Lake Road,	
				No.		REVISION		BY DATE CKD ENG		MECH./STRUCT.		BY S.F./D. SMITH		1478 HP STOCK COMPRESSOR PACKAGE		Postal Bag #2	
										DATE 00/09/21		DATE 00/09/21		LAYOUT		Airdrie, Alberta	
										ELECTRICAL		CHECKED		(VIEW 'B-B')		Canada T4B 2C3	
										DATE 06/09/21		DATE 07/09/21				DWG. No.: D-ASY-99420-352	
										PROJECT		SCALE 1:25		SHEET 3 OF 4		REV. 1	
										DATE							

THE DESIGN IT COVERS ARE CONFIDENTIAL AND THE PROPERTY OF PROPAK SYSTEMS LTD. AND SHALL NOT BE DISCLOSED TO OTHERS OR REPRODUCED IN ANY MANNER OR USED FOR ANY PURPOSE WHATSOEVER EXCEPT BY WRITTEN CONSENT OF PROPAK.



\* NOTE: V-130 ELEVATION -180 FROM DATUM 'C'

VIEW 'C-C'



\* NOTE: JACKSHAFT ELEVATION -390 FROM DATUM 'C'

VIEW 'D-D'

GENERAL NOTES		GENERAL NOTES		1		ENGINE WAS WAIKESHA 5794GS		D. SMITH 00/09/21		BY DATE CKD ENG		APPROVED		DRAWN		PROPAC		440 East Lake Road, Postal Bag #2 Airdrie, Alberta Canada T4B 2C3	
				No.		REVISION		BY DATE		CKD ENG		MECH./STRUCT. BY S.F./D. SMITH		DATE 00/09/21		1478 HP STOCK COMPRESSOR PACKAGE LAYOUT (VIEW 'C-C' & 'D-D')		SHEET 4 OF 4	
												ELECTRICAL CHECKED		DATE 02/09/21		DWG. No.: D-ASY-99420-352		REV. 1	
												PROJECT DATE 00/09/21		SCALE 1:25					